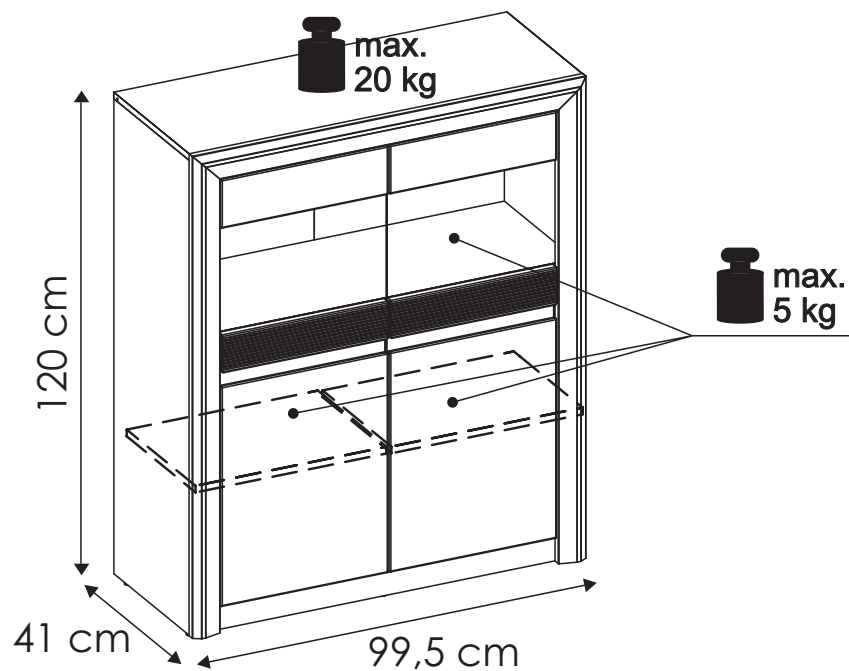


1803

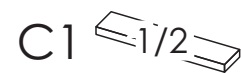
KASHMIR KAV03



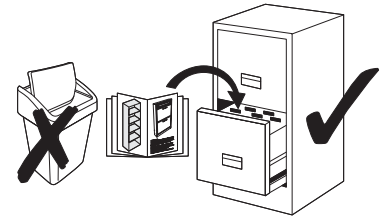
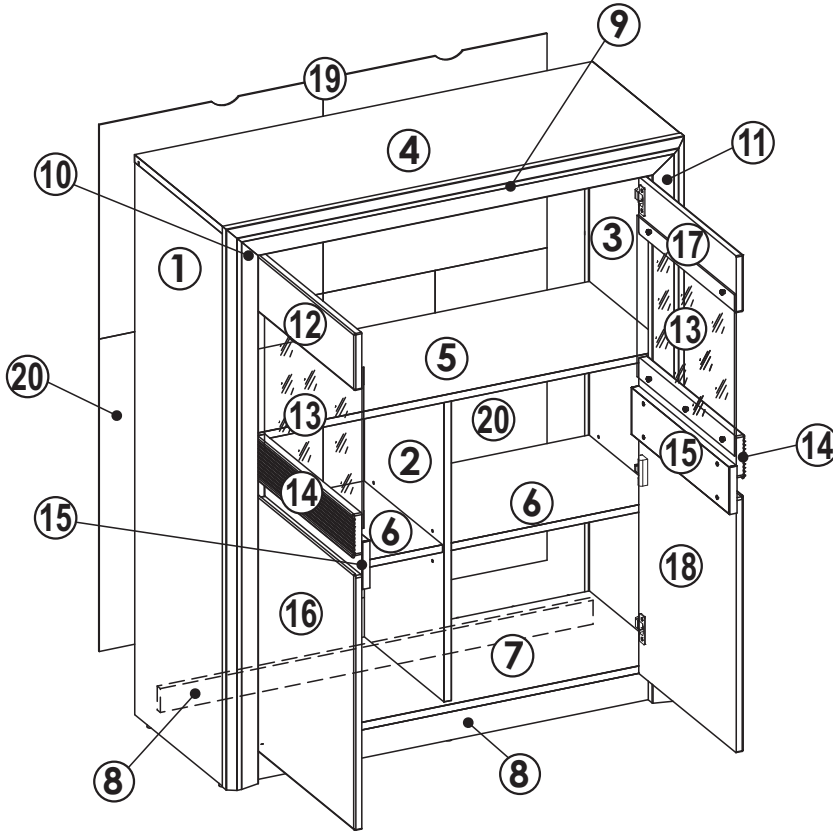
- 60 min.



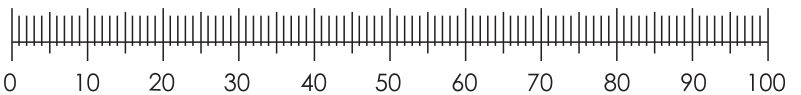
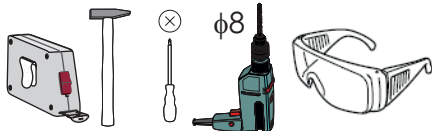
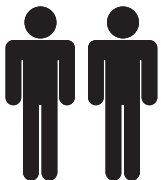
- | | | | |
|--------|--------|--------|--------|
| ① - C1 | ⑦ - C1 | ⑬ - C2 | ⑲ - C2 |
| ② - C1 | ⑧ - C1 | ⑭ - C2 | ⑳ - C1 |
| ③ - C1 | ⑨ - C1 | ⑮ - C2 | |
| ④ - C1 | ⑩ - C1 | ⑯ - C2 | |
| ⑤ - C1 | ⑪ - C1 | ⑰ - C2 | |
| ⑥ - C2 | ⑫ - C2 | ⑱ - C2 | |



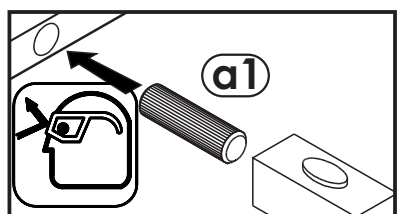
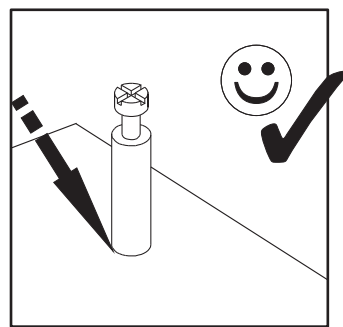
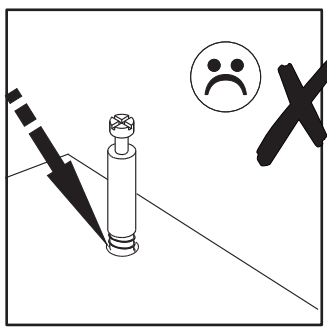
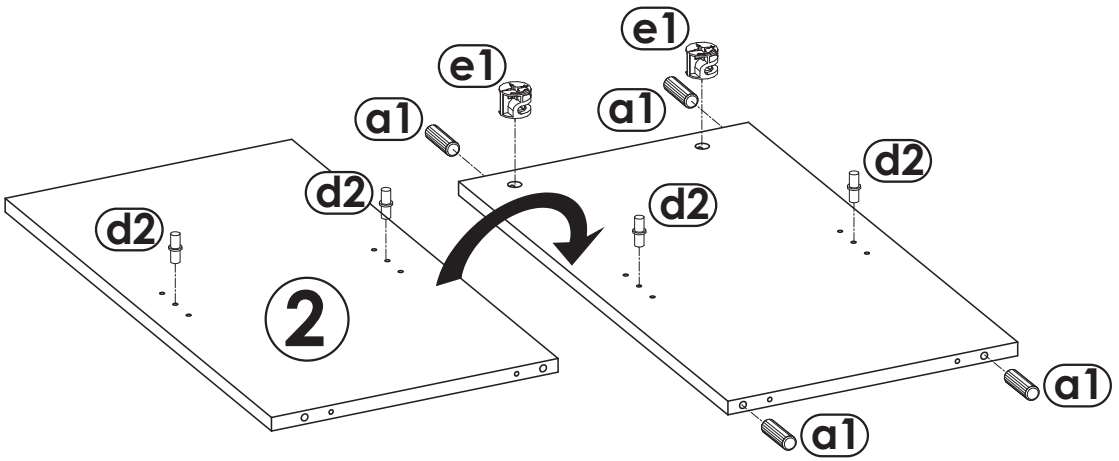
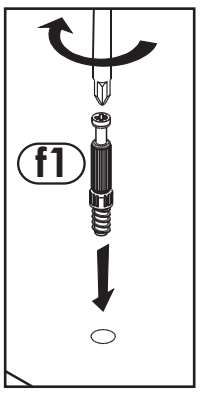
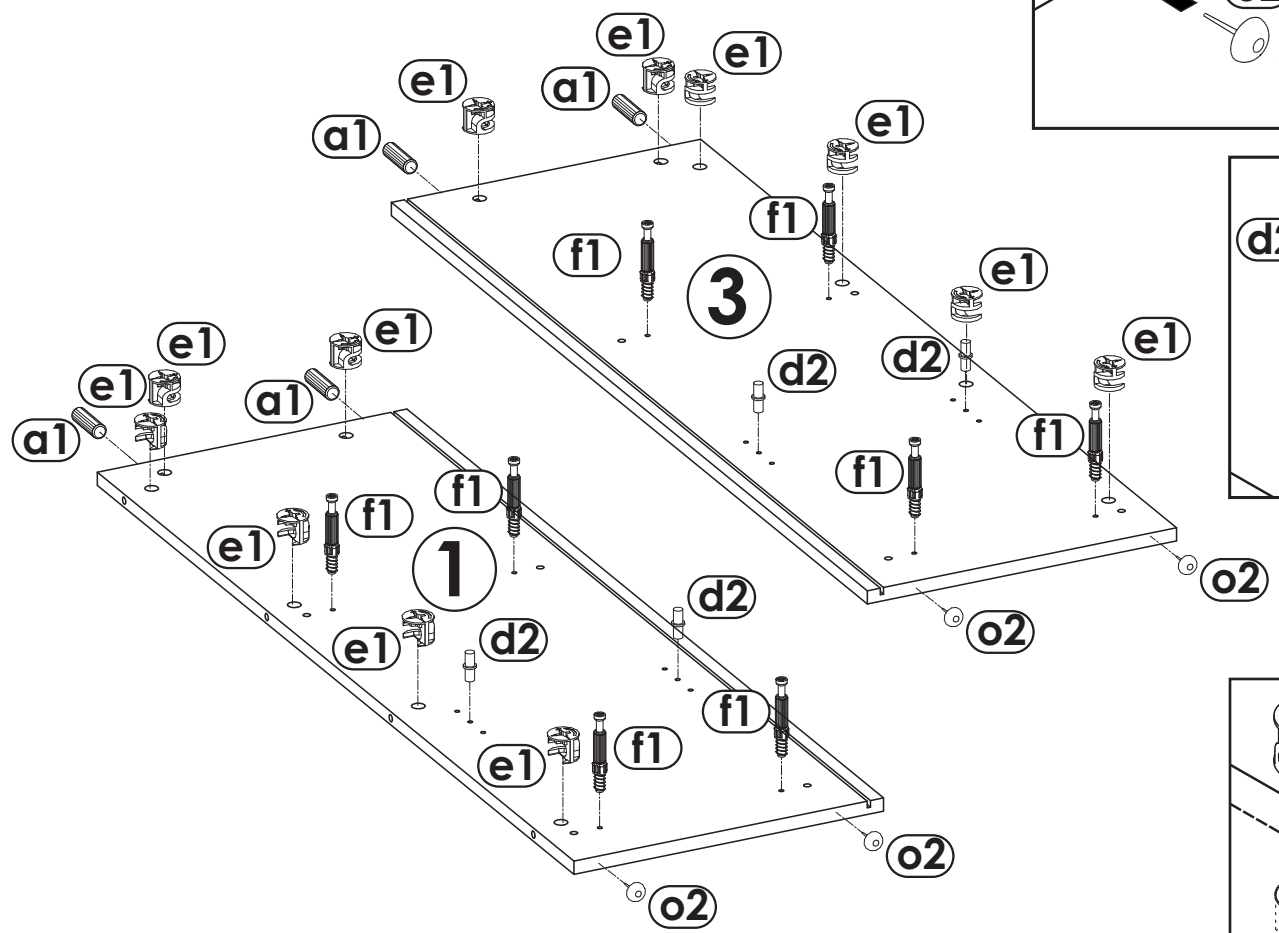
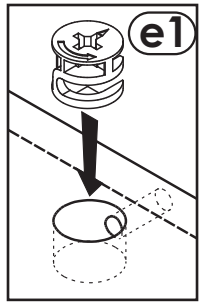
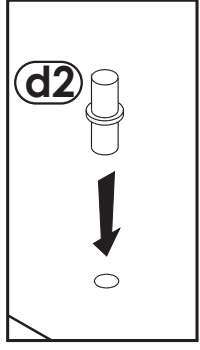
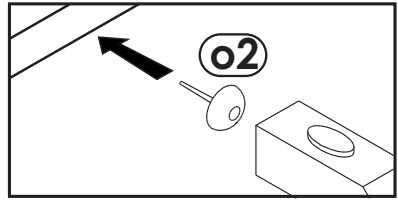
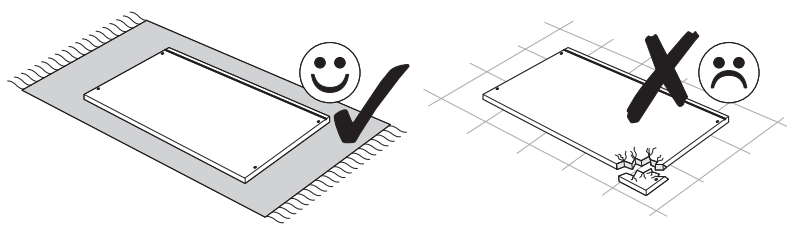
KASHMIR KAV03



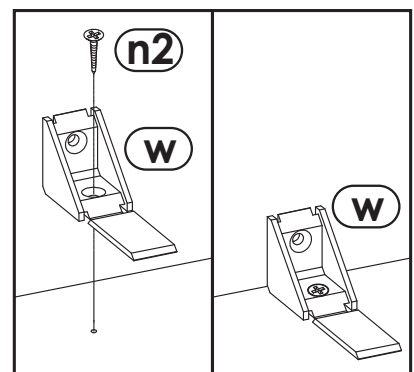
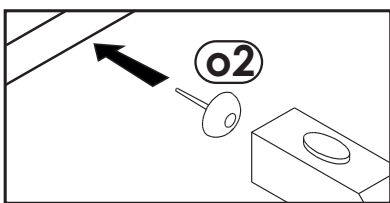
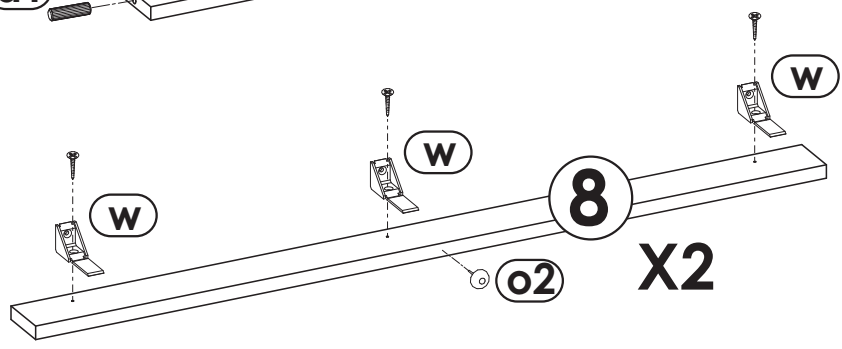
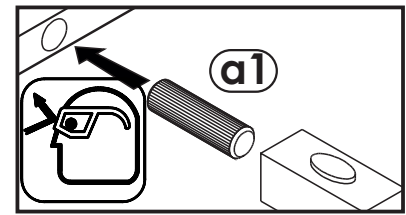
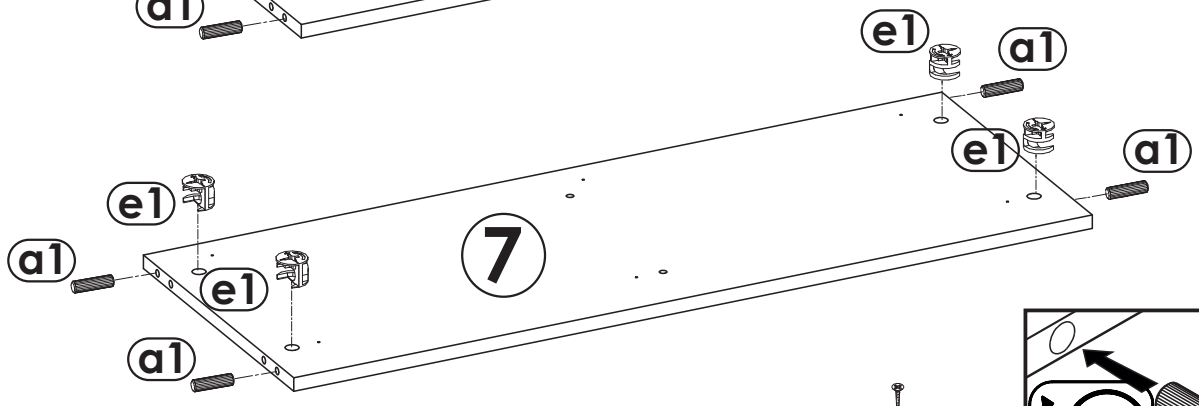
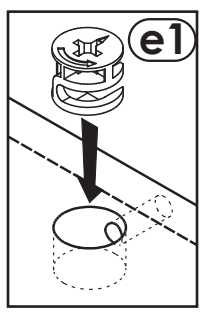
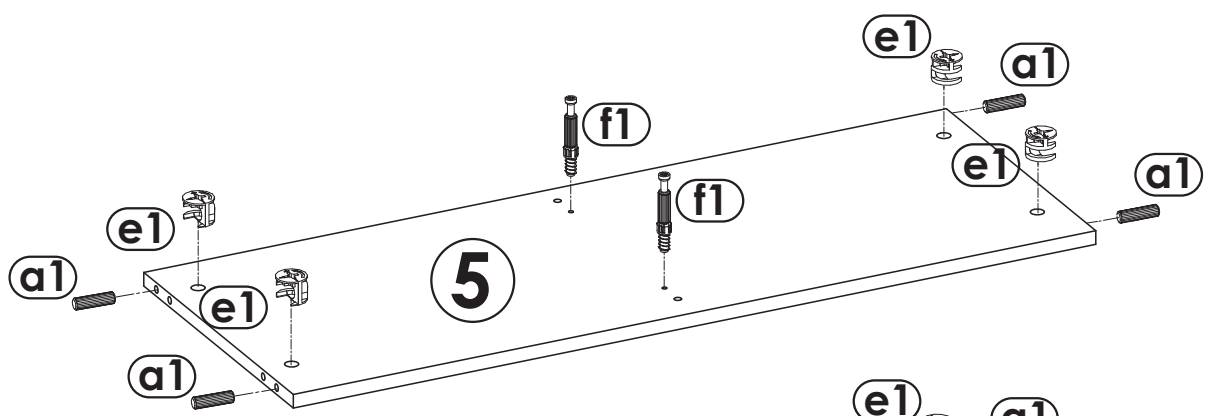
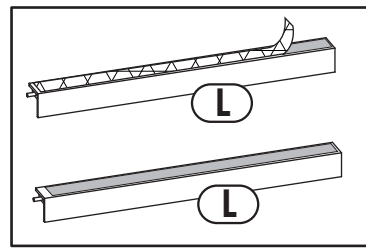
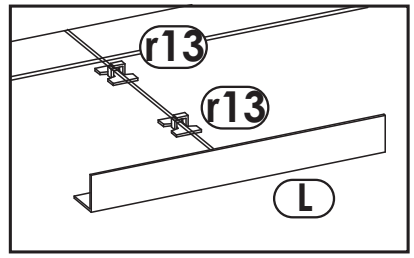
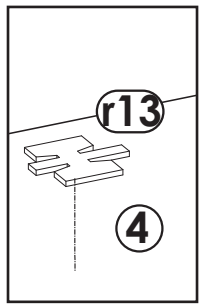
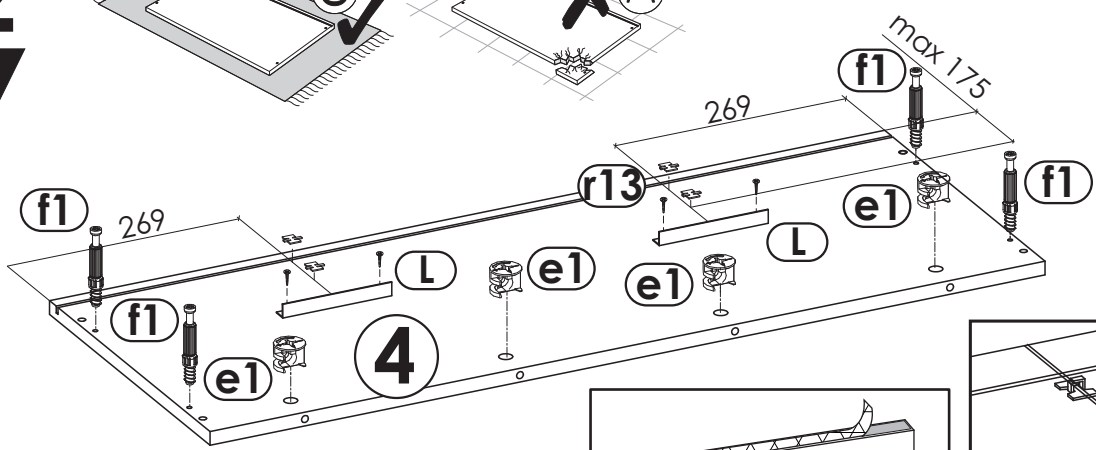
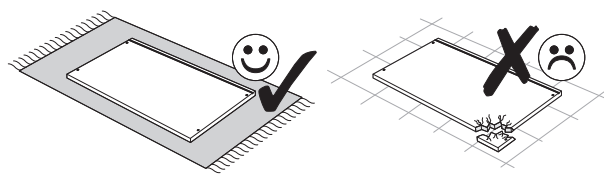
| | | | | | | | | | |
|------------------------------------|------------------------------------|--------------------------------------|----------------------------|---|------------------------------------|----------------------------|----------------------------|---------------------------|--------------------------|
| a1 8x35 x...(x20) | br4 x...(x6) | bc5 x...(x2) | br5 x...(x6) | c1 Euro 4x13 x...(x12) | d2 x...(x8) | e0 x...(x30) | e1 x...(x30) | | |
| f1 x...(x26) | f3 x...(x2) | g1 7x50 x...(x2) | g0 x...(x2) | i2 4x16 x...(x13) | j2 4x25 x...(x12) | L x2 | x...(x1) | | |
| m x...(x1) | n1 3x16 x...(x20) | n2 3,5x16 x...(x12) | o2 x...(x6) | r1 x...(x10) | r3 x...(x12) | r4 x...(x11) | r13 x...(x4) | q9 x...(x1) | w x...(x6) |



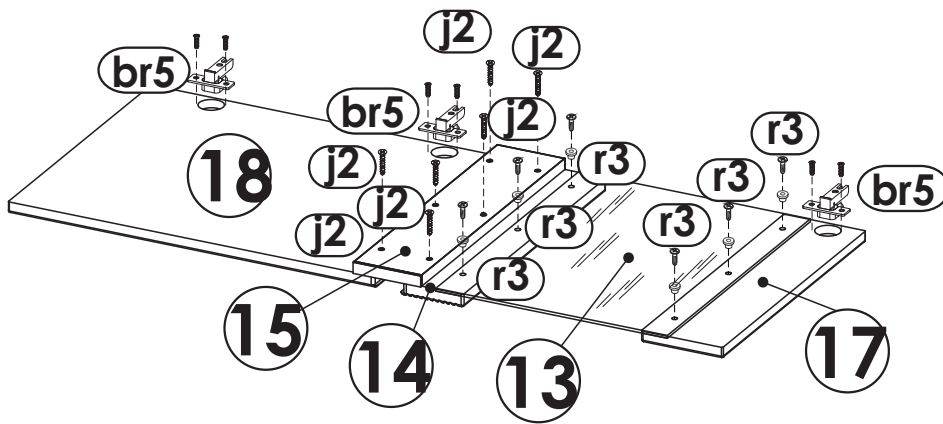
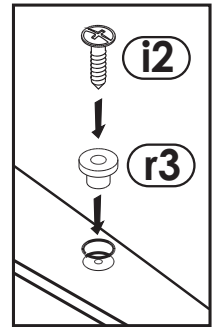
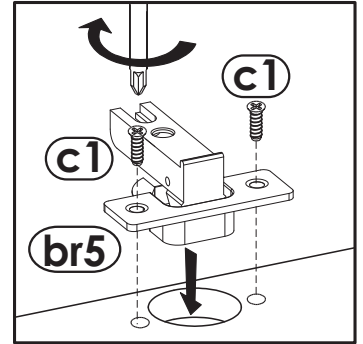
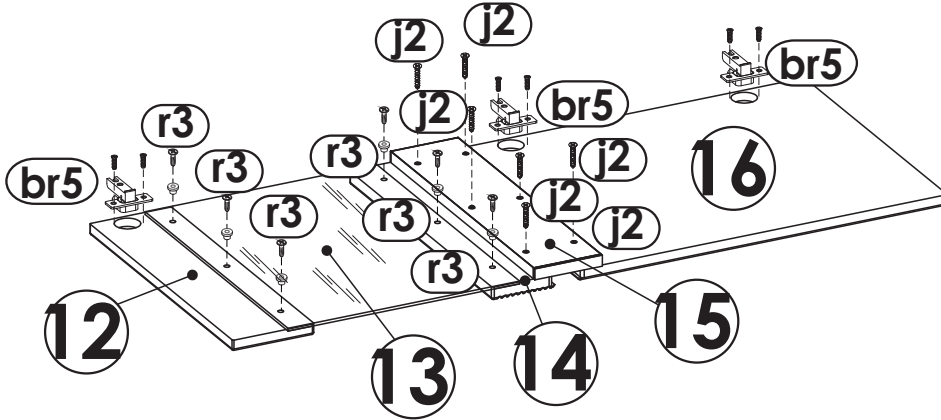
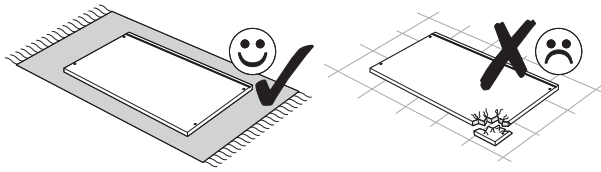
1



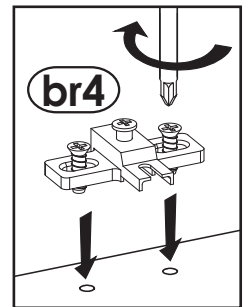
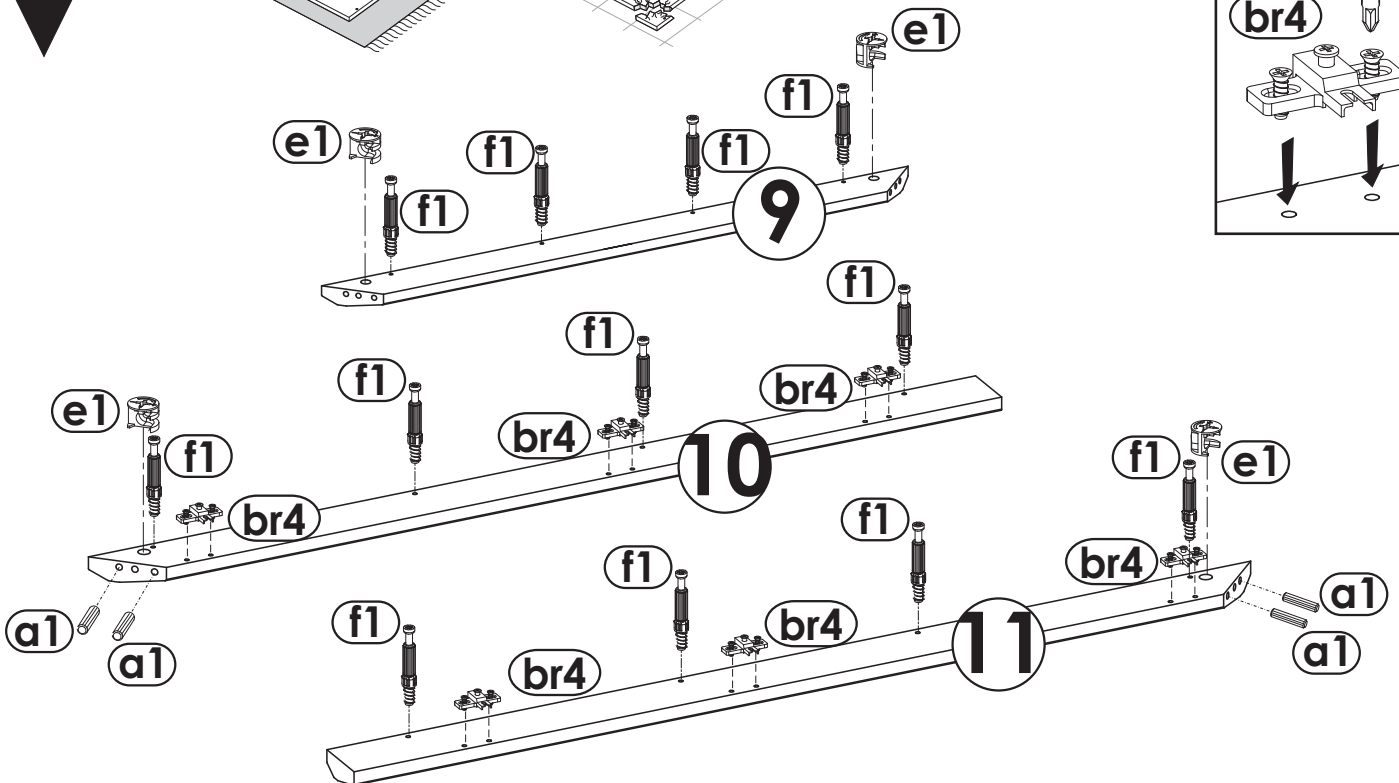
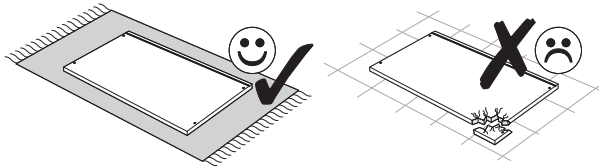
2



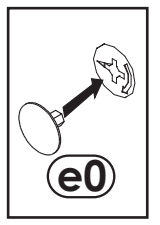
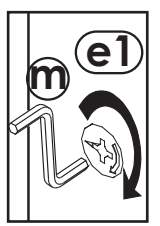
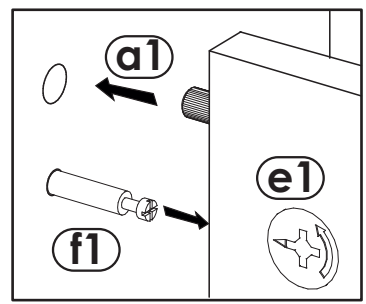
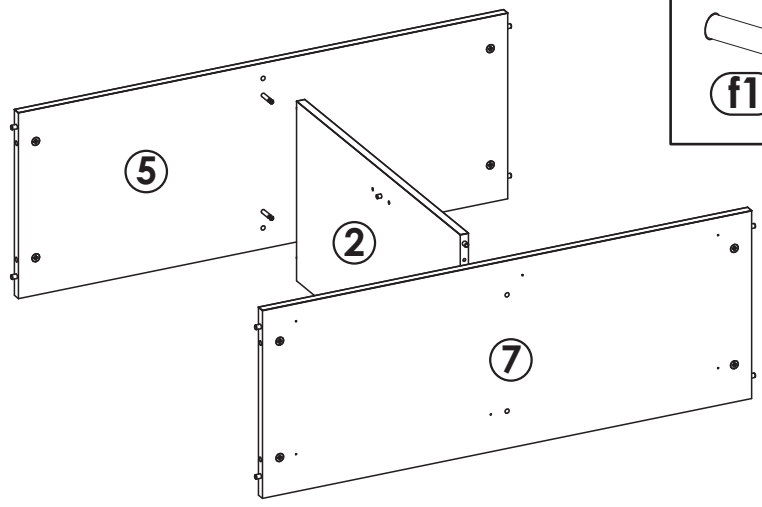
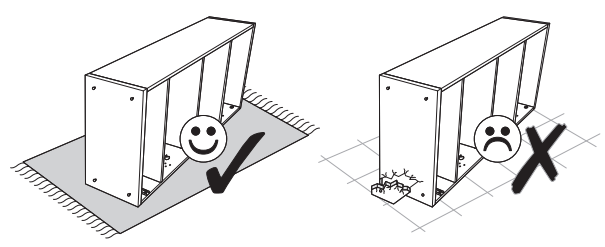
3



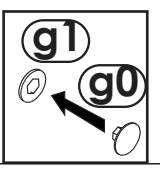
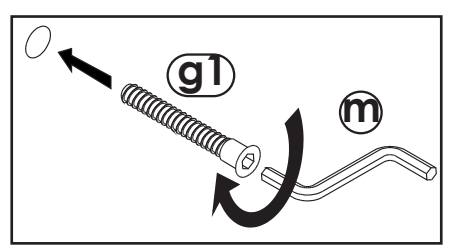
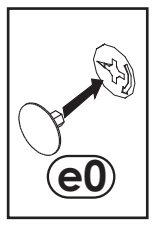
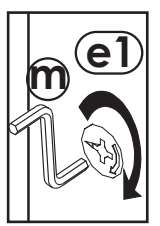
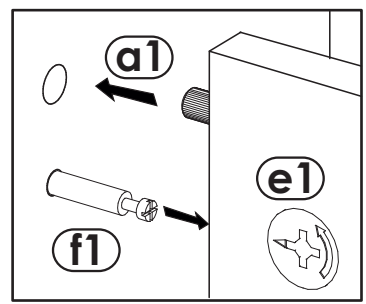
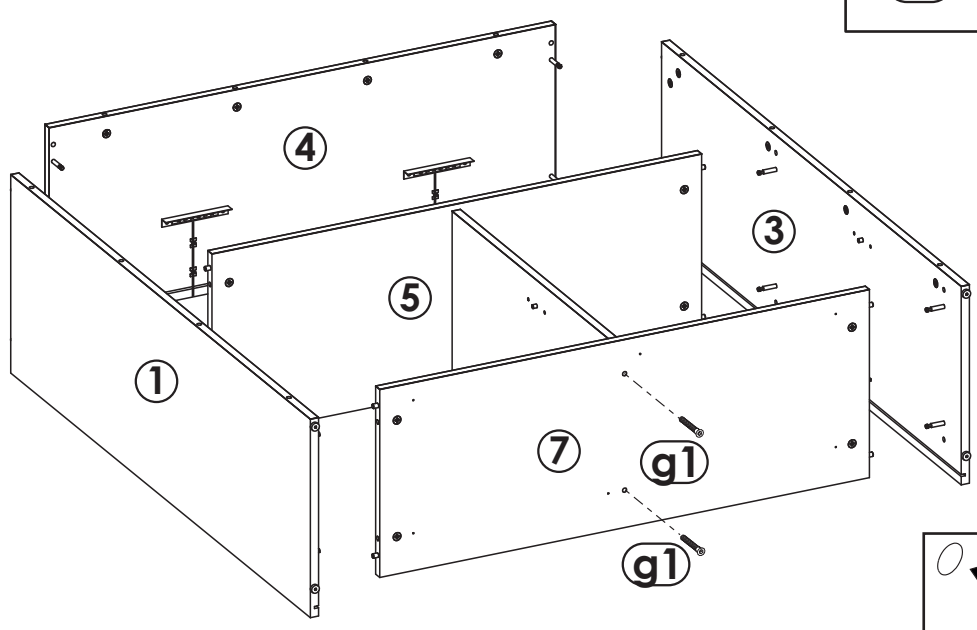
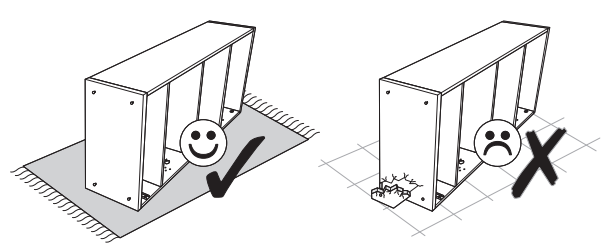
4



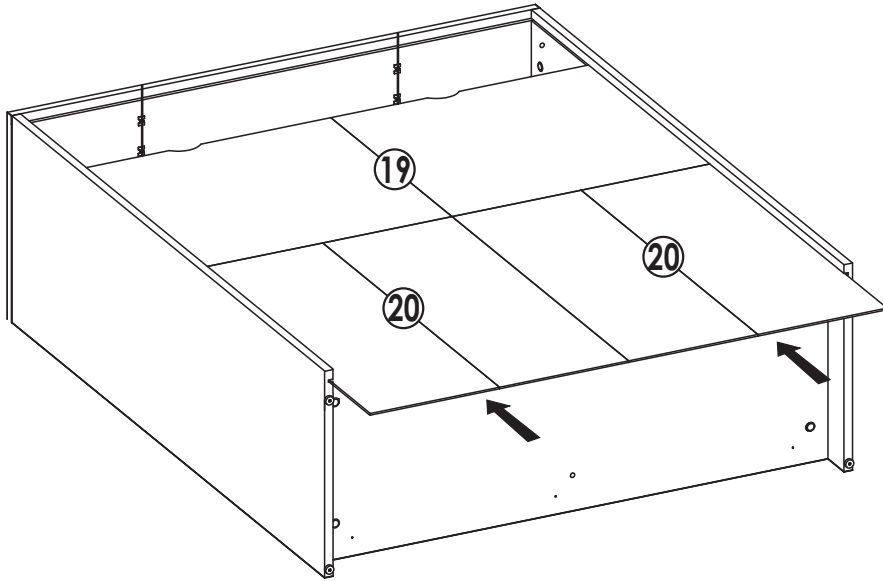
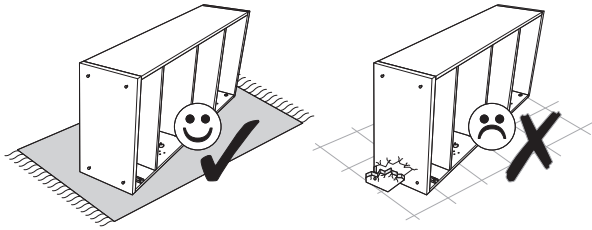
5



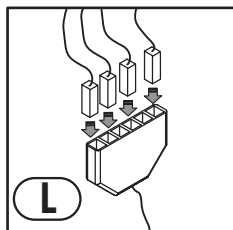
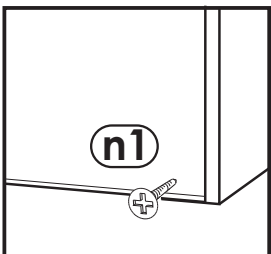
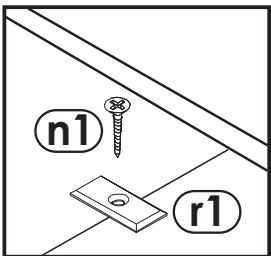
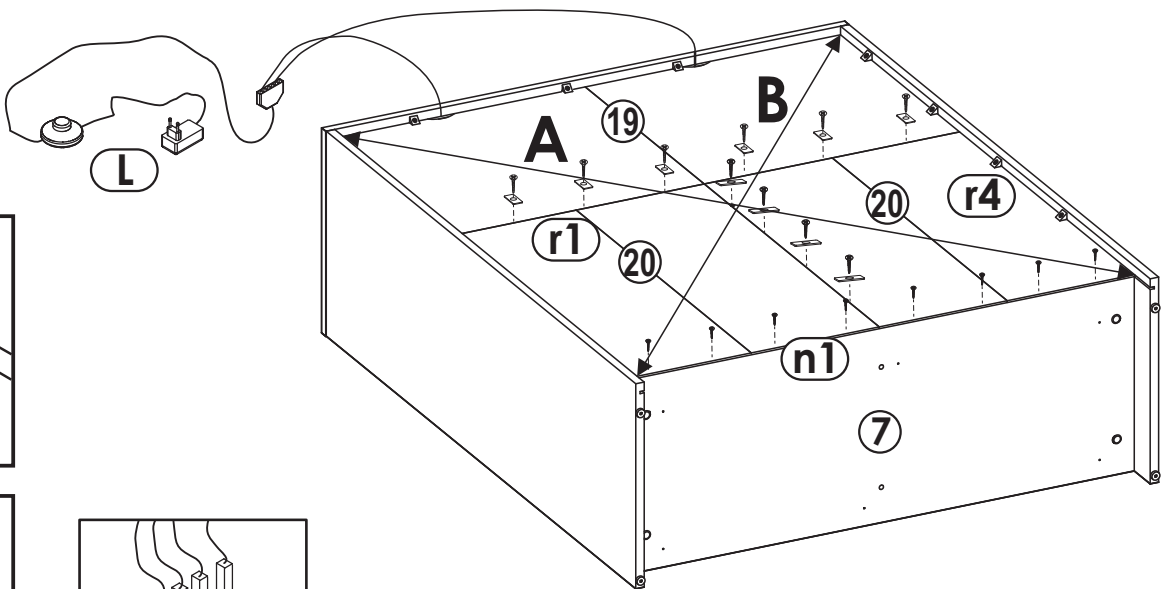
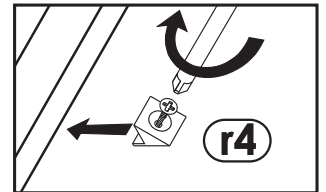
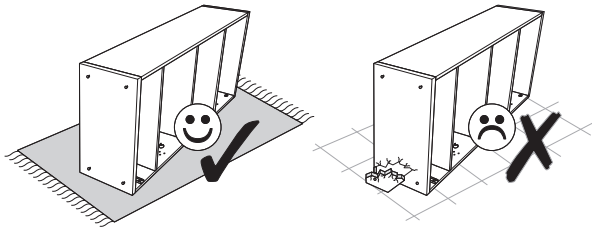
6



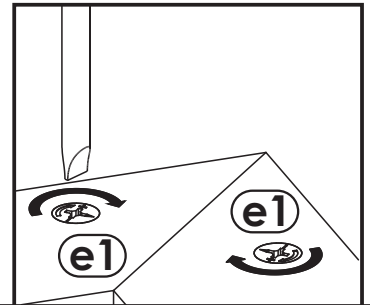
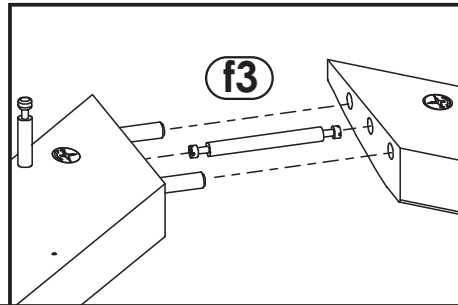
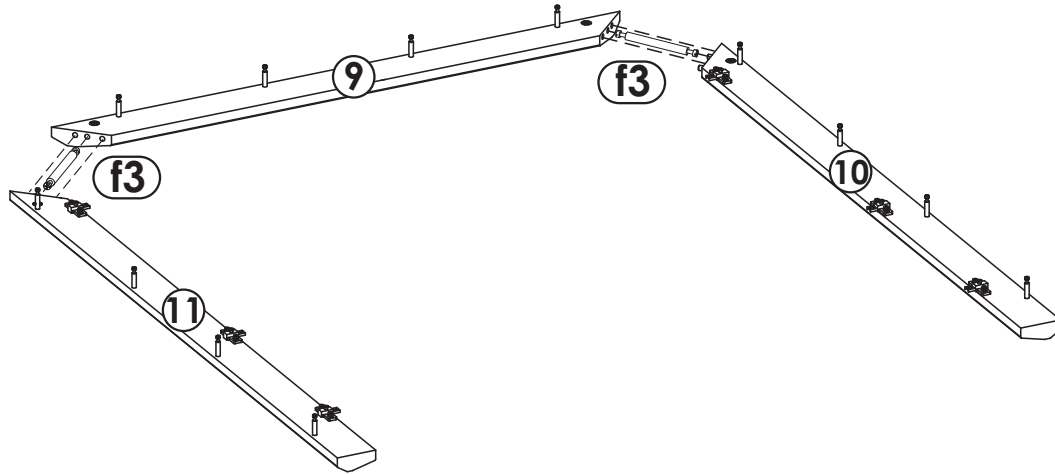
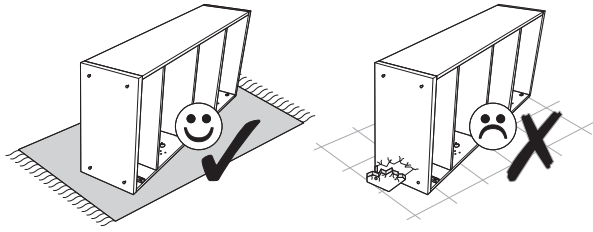
7



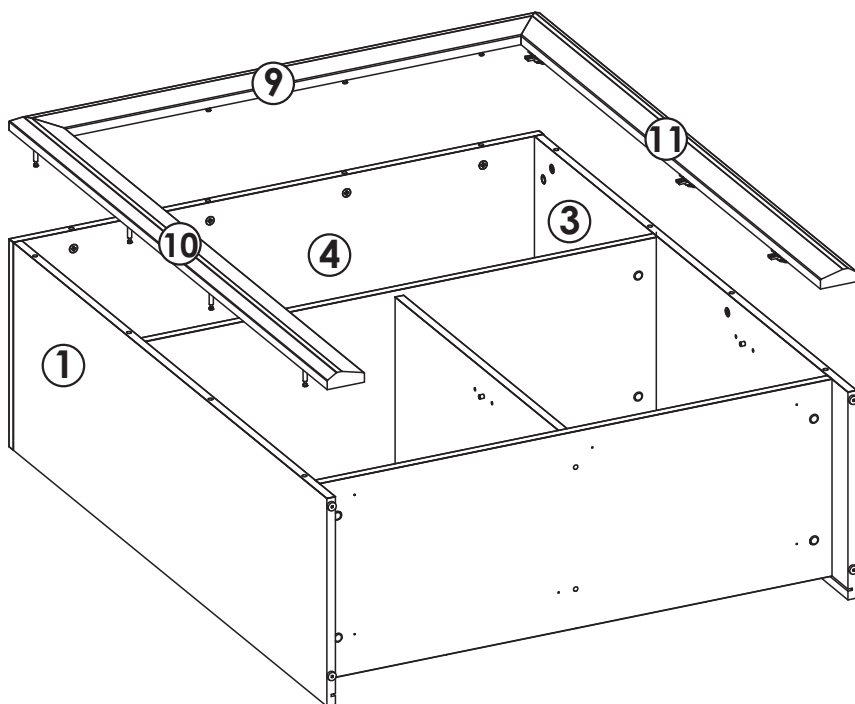
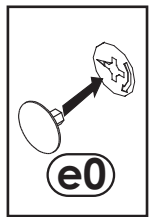
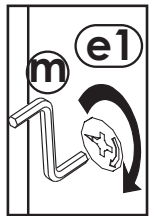
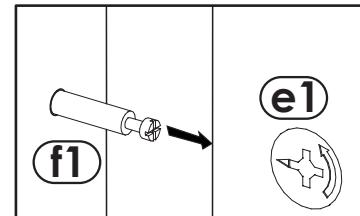
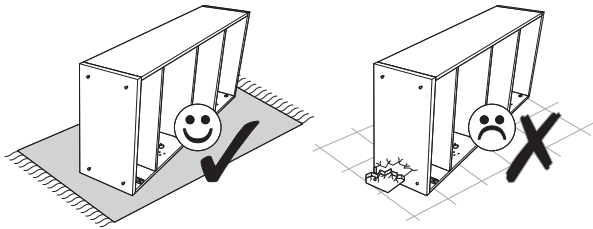
8



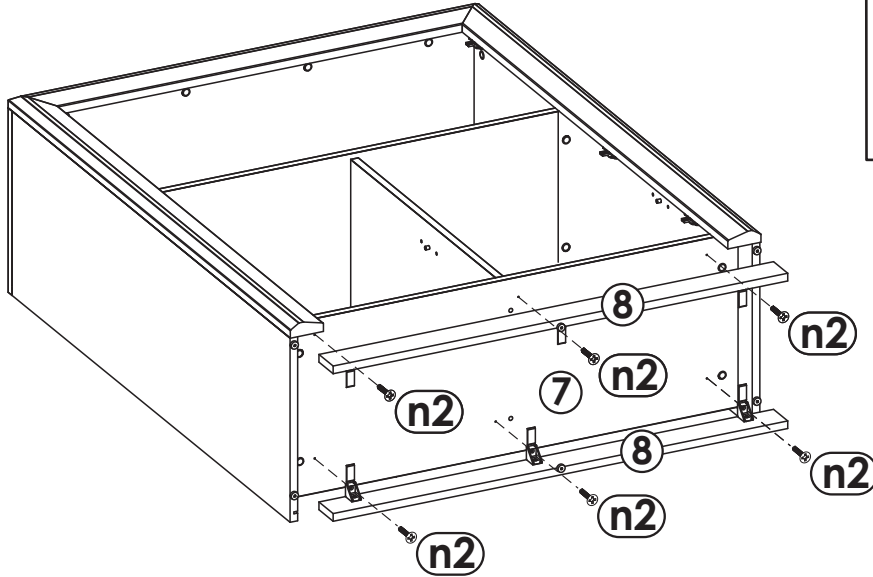
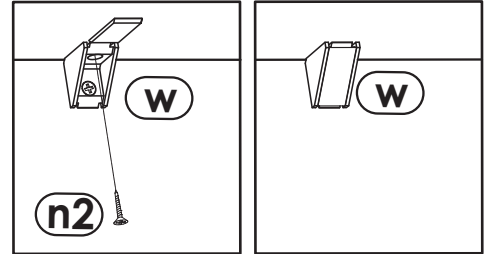
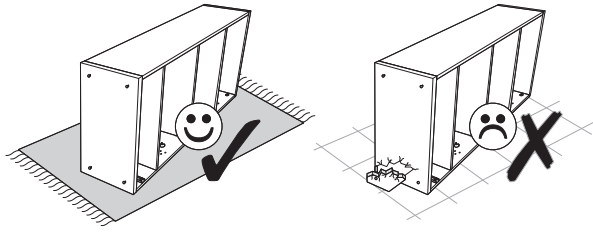
9
▼



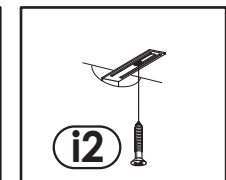
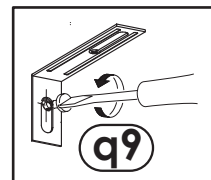
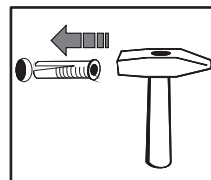
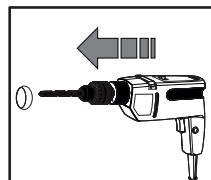
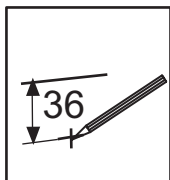
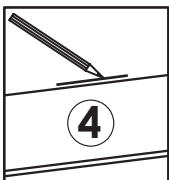
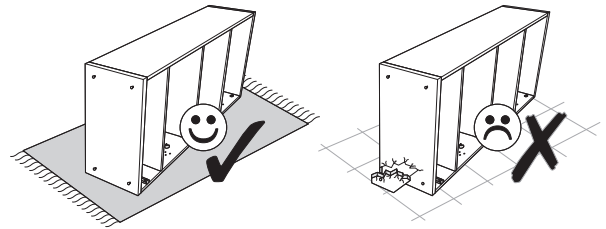
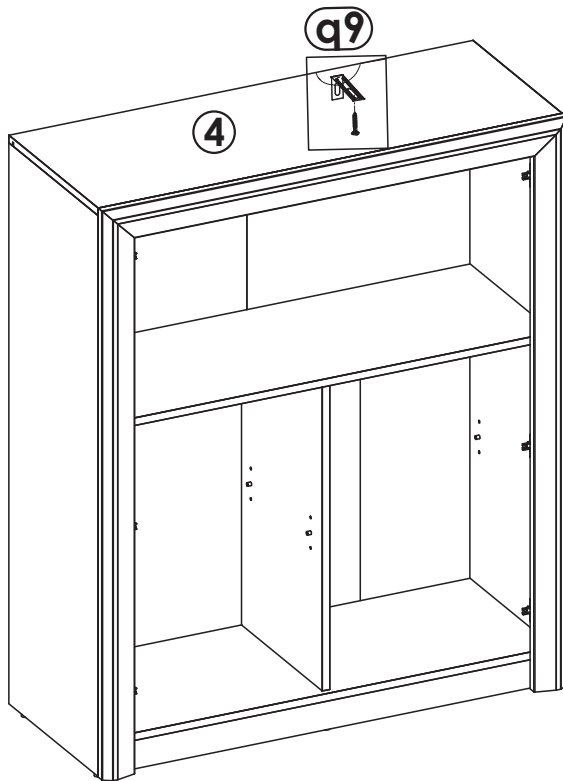
10
▼



11
▼



12
▼



13
▼

