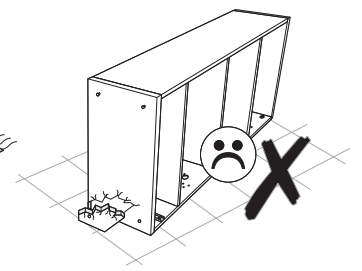
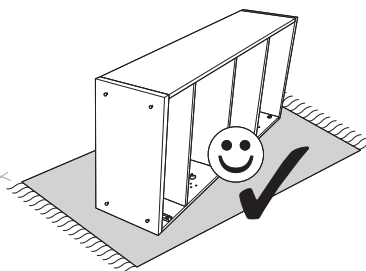
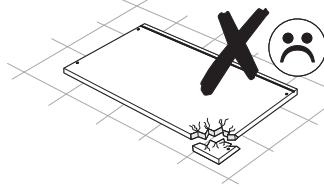
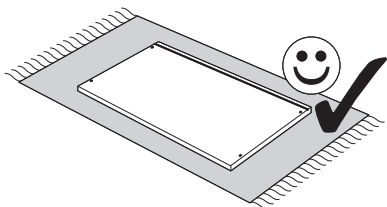
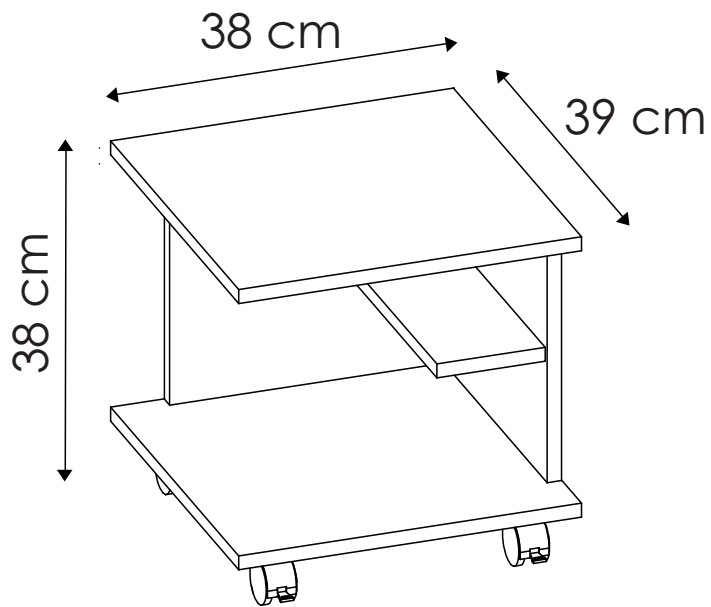
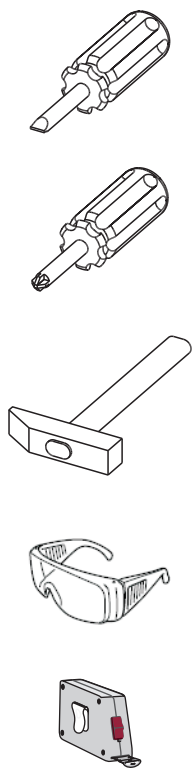
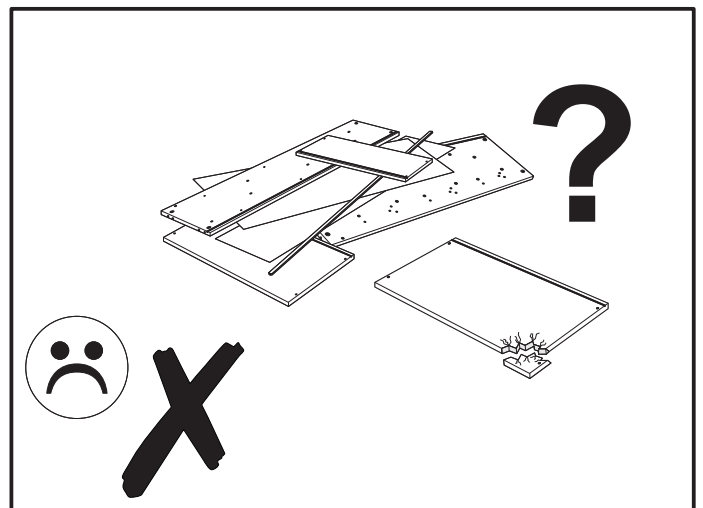
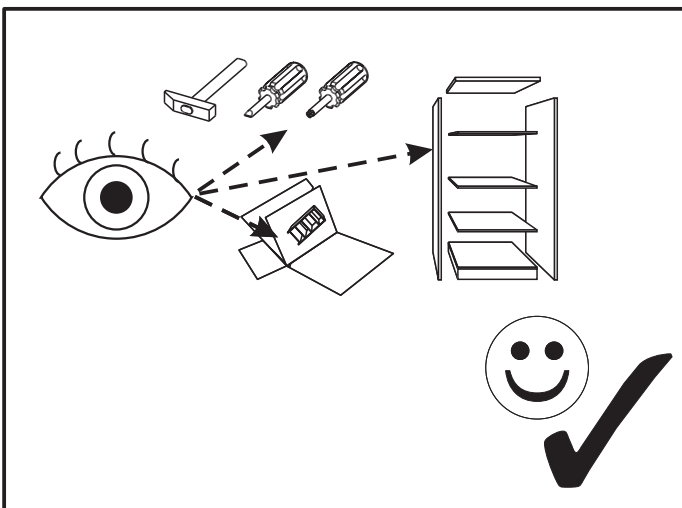
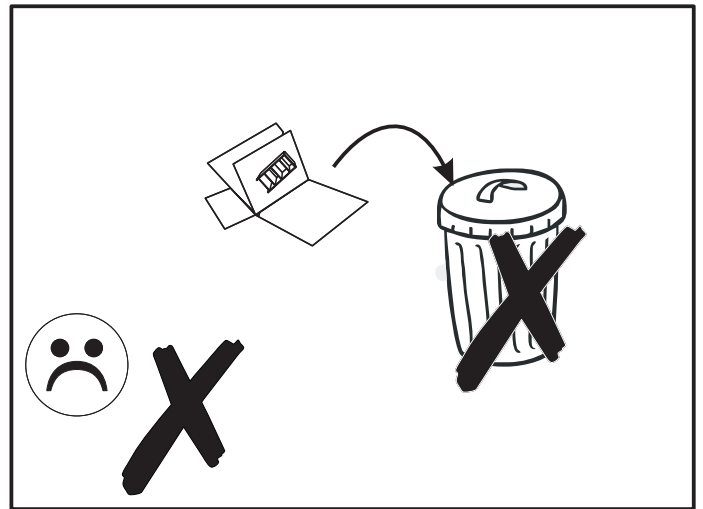
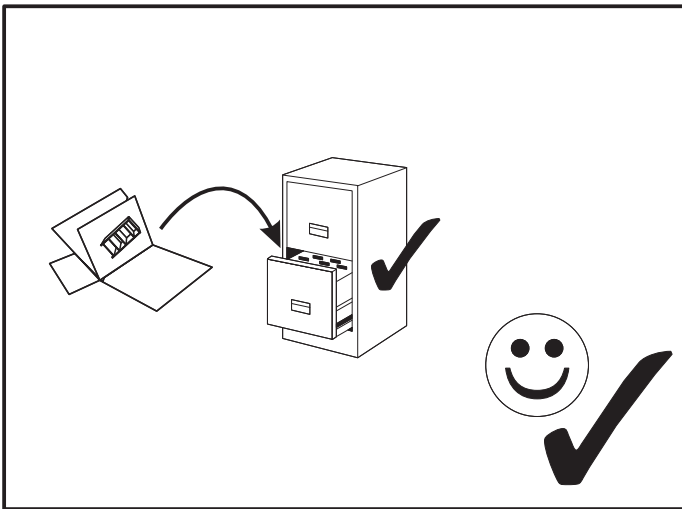
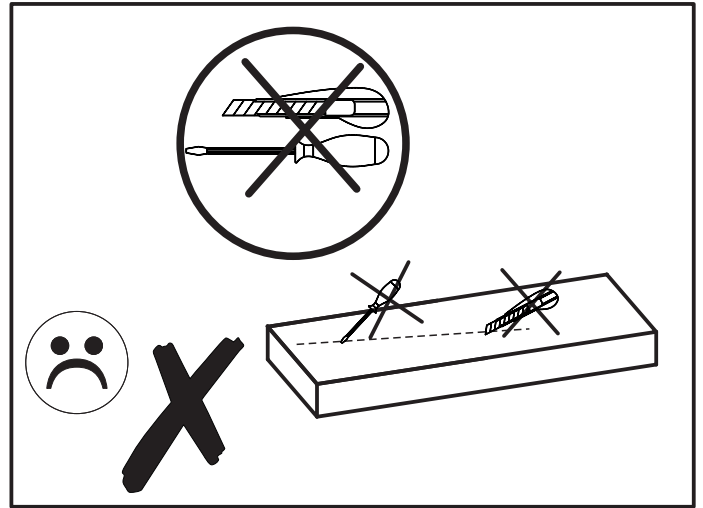
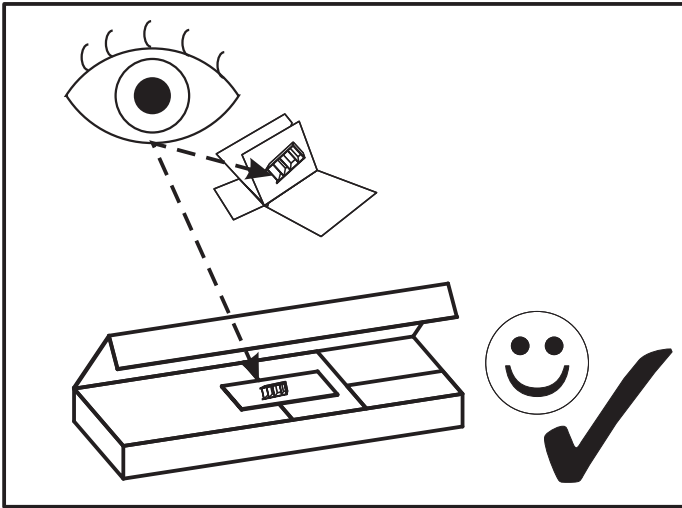
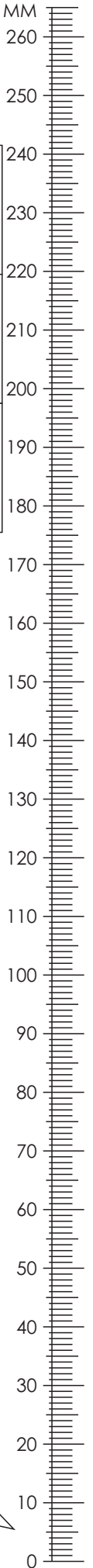


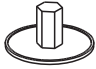





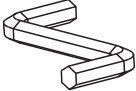
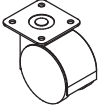
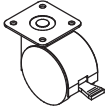
WUM WUT01

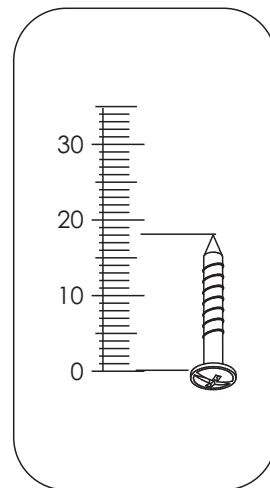




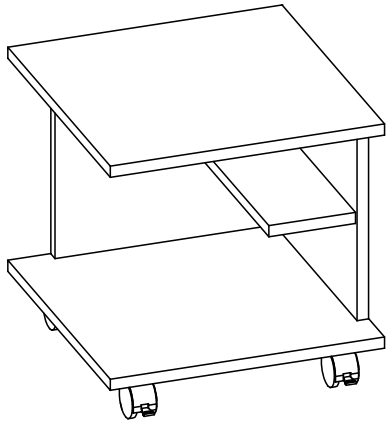
WUM WUT01



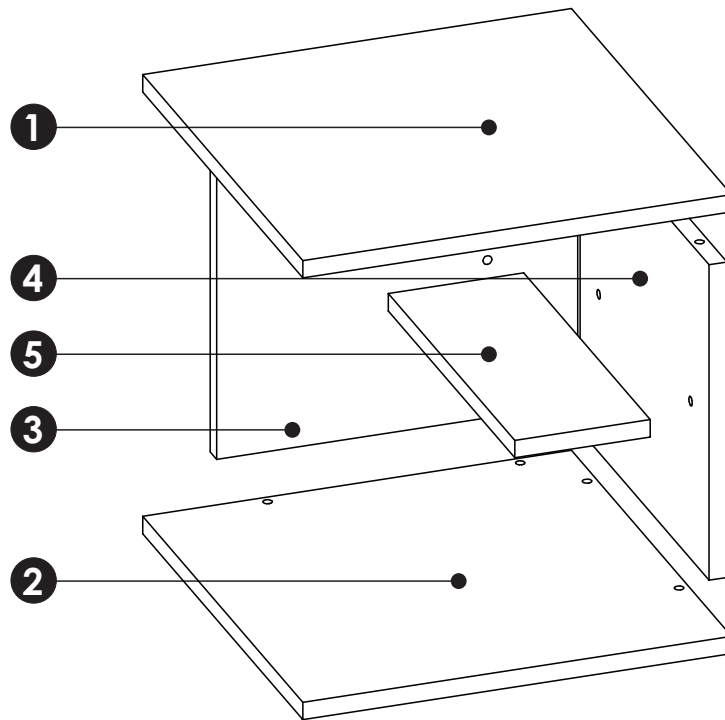
<p>E0 x4</p> 	<p>E1 x4 $\varnothing 15 \times 12$ mm</p> 	<p>F1 x4</p> 
<p>G0 x7</p> 	<p>G1 x7 $\varnothing 7 \times 50$ mm</p> 	<p>I2 x16 4 x 16 mm</p> 
<p>M x1</p> 	<p>O14 x2</p> 	<p>O16 x2</p> 

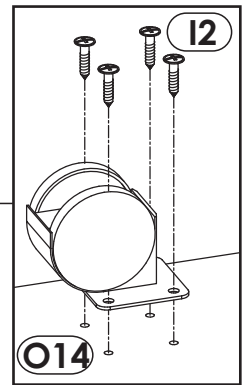
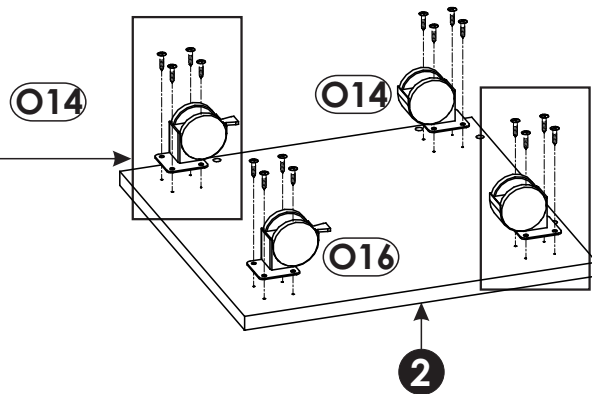
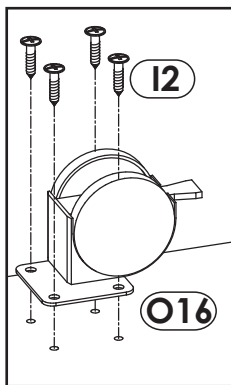
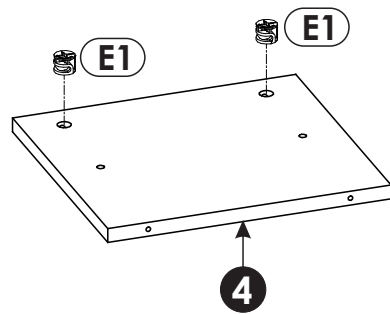
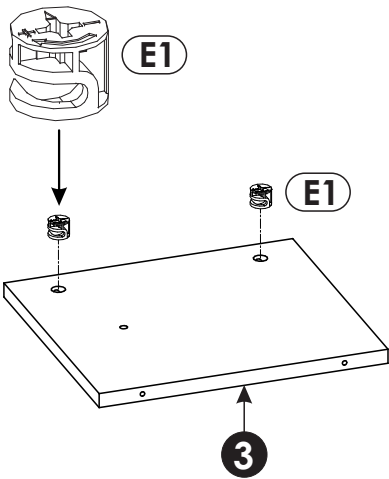
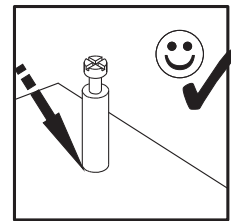
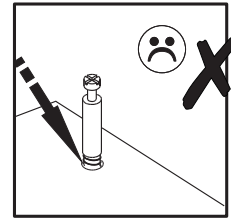
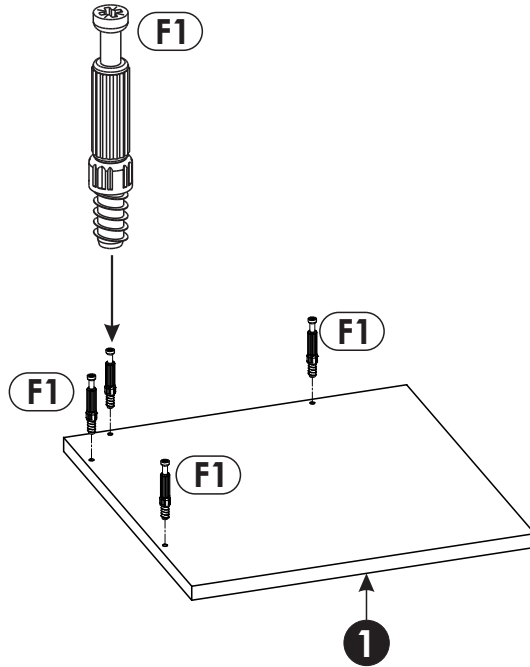
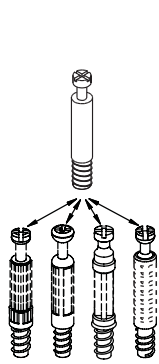
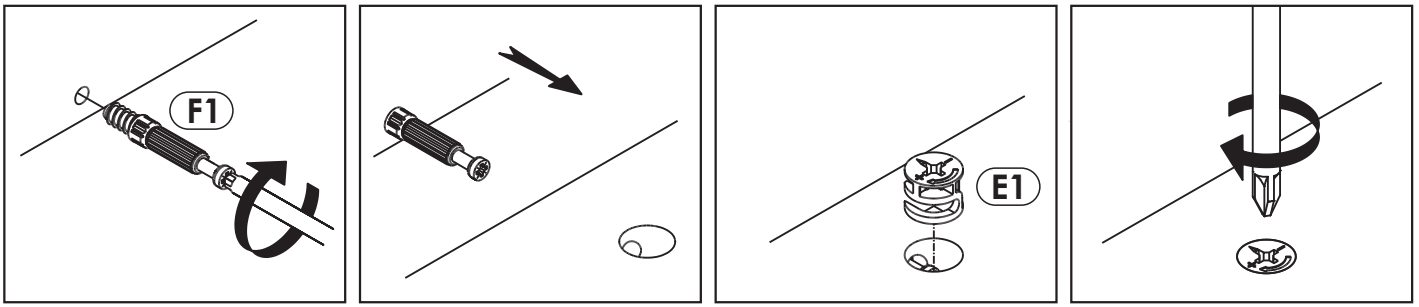


WUM WUT01

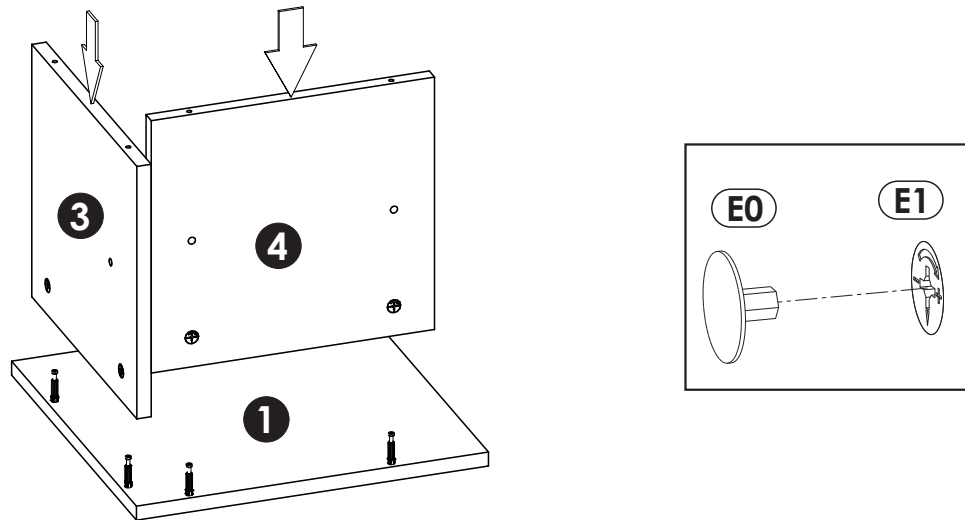


1	390	380	16	x1	1/1
2	390	380	16	x1	1/1
3	290	320	16	x1	1/1
4	290	314	16	x1	1/1
5	308	120	16	x1	1/1

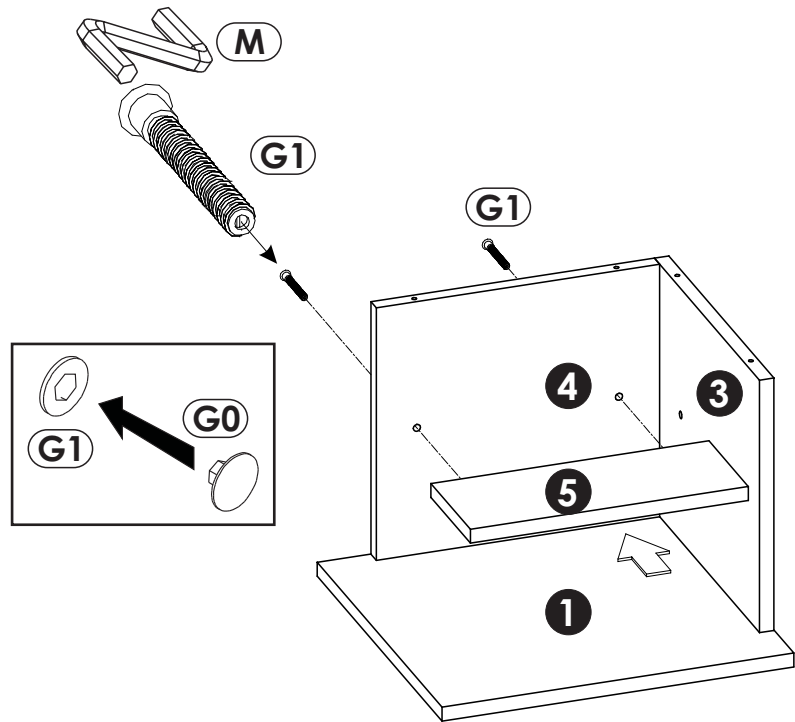




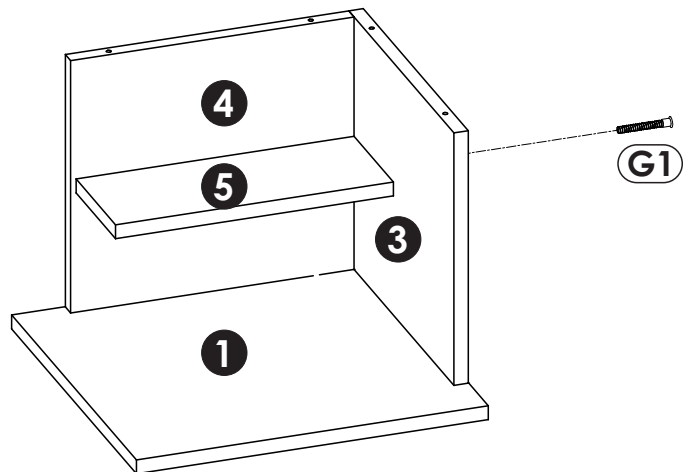
2▶



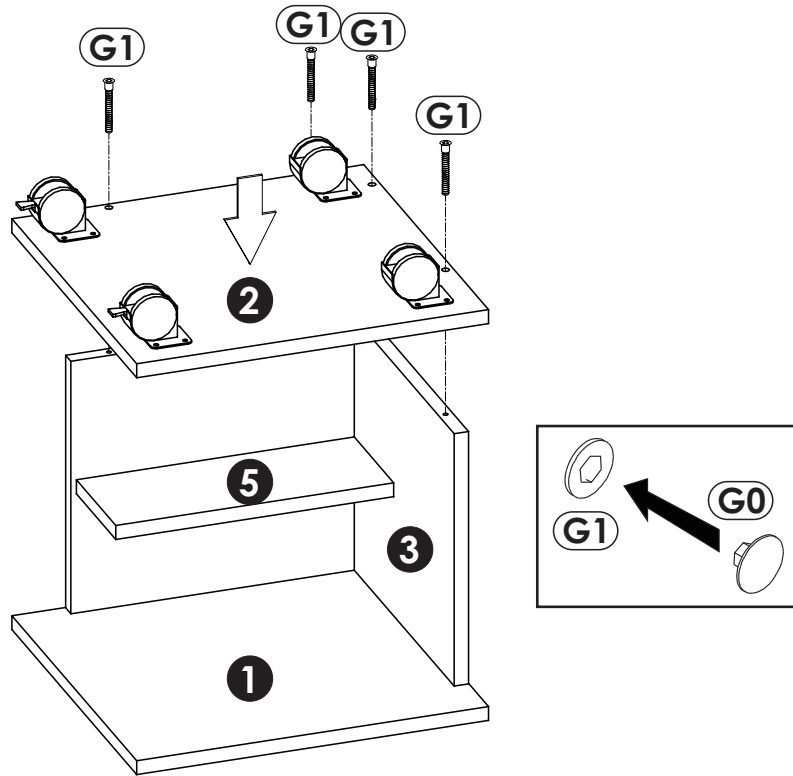
3▶



4▶



5 ▶



6 ▶

