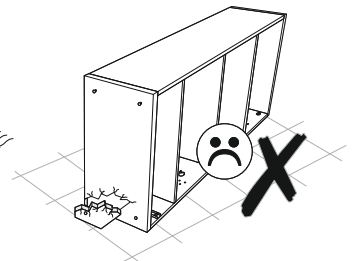
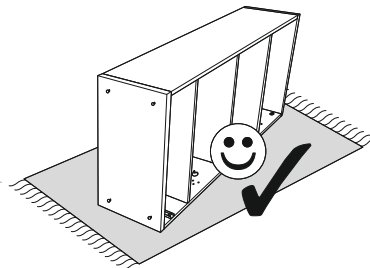
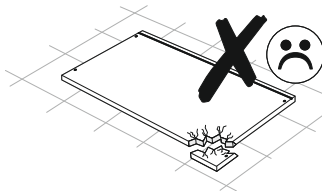
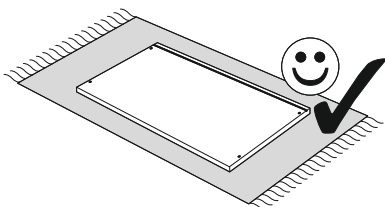
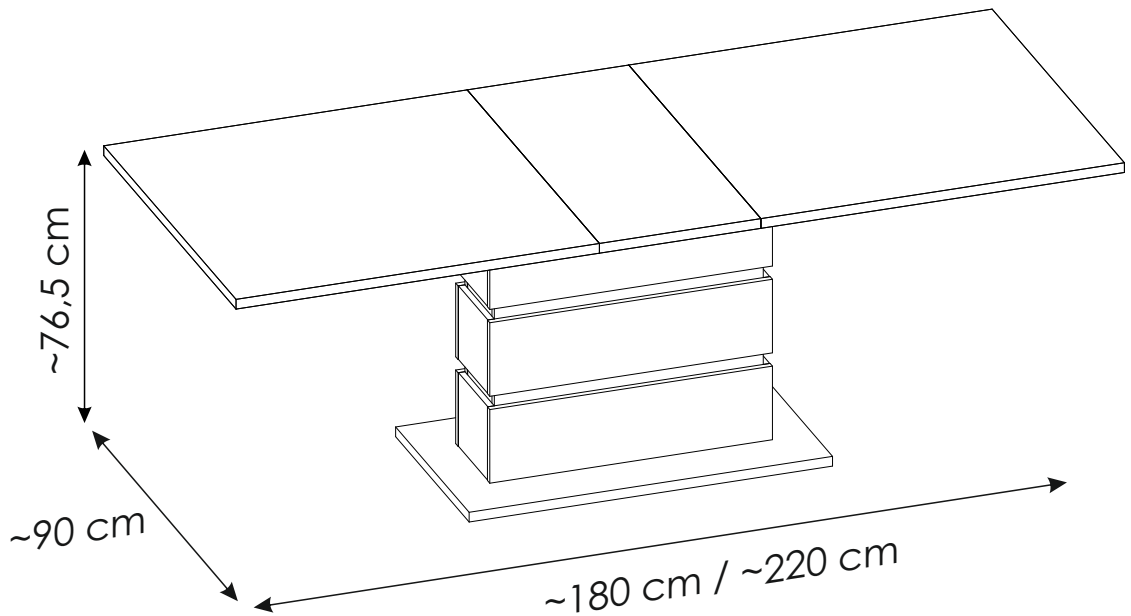
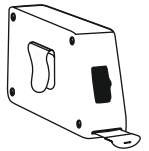
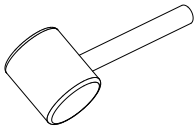
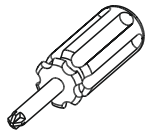
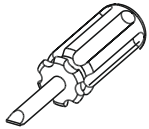
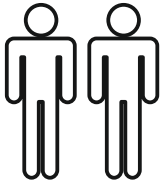
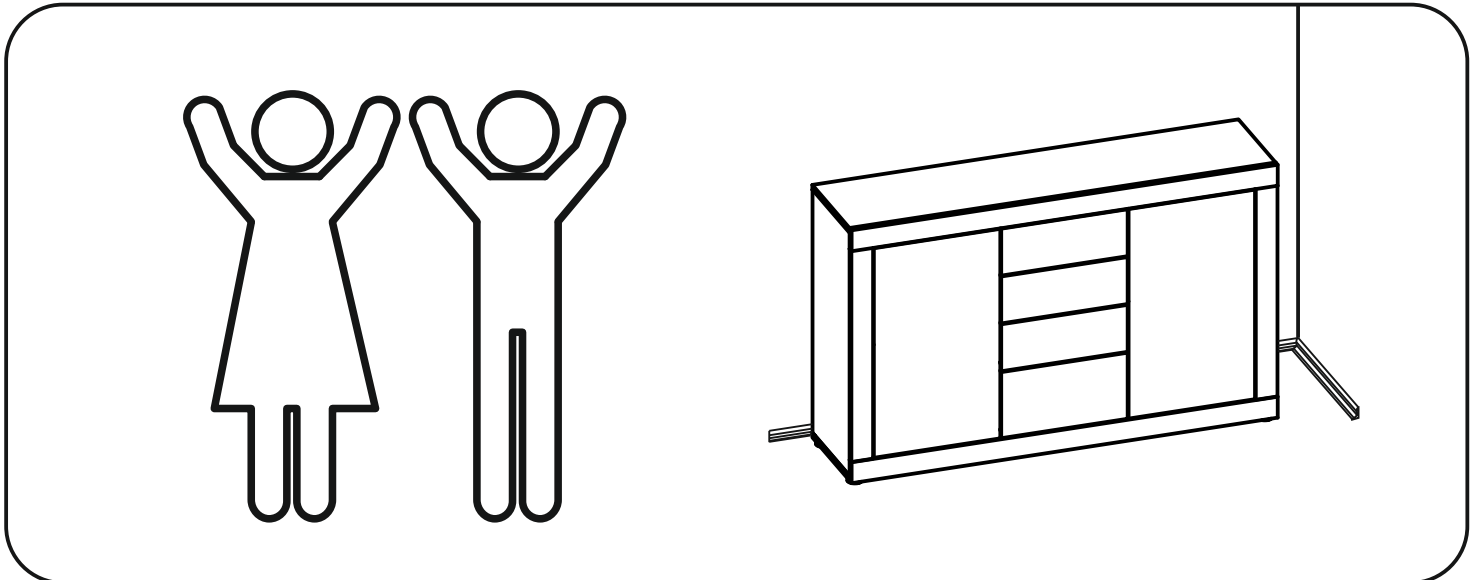
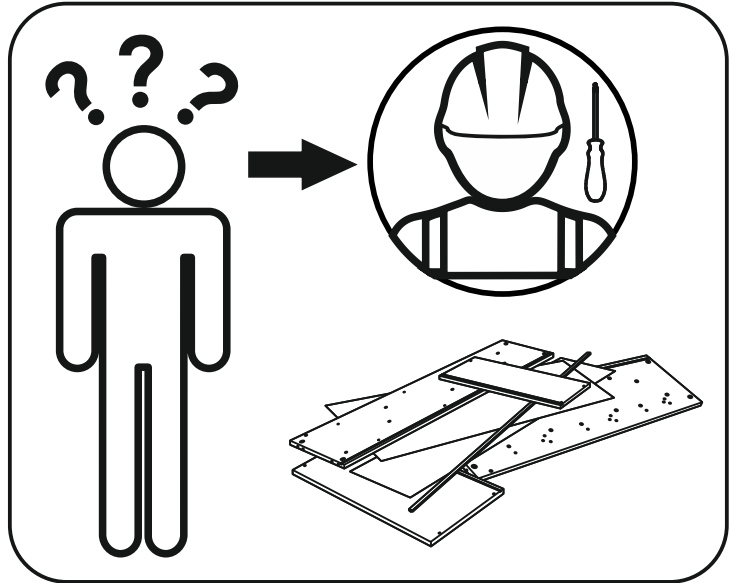
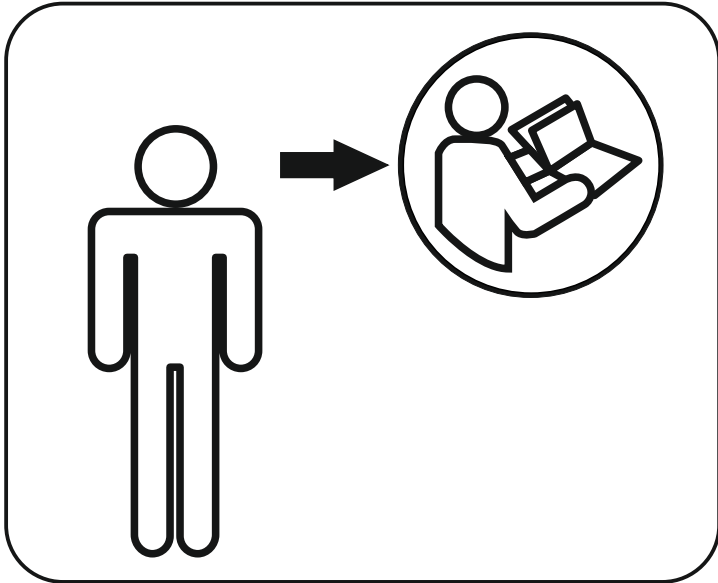
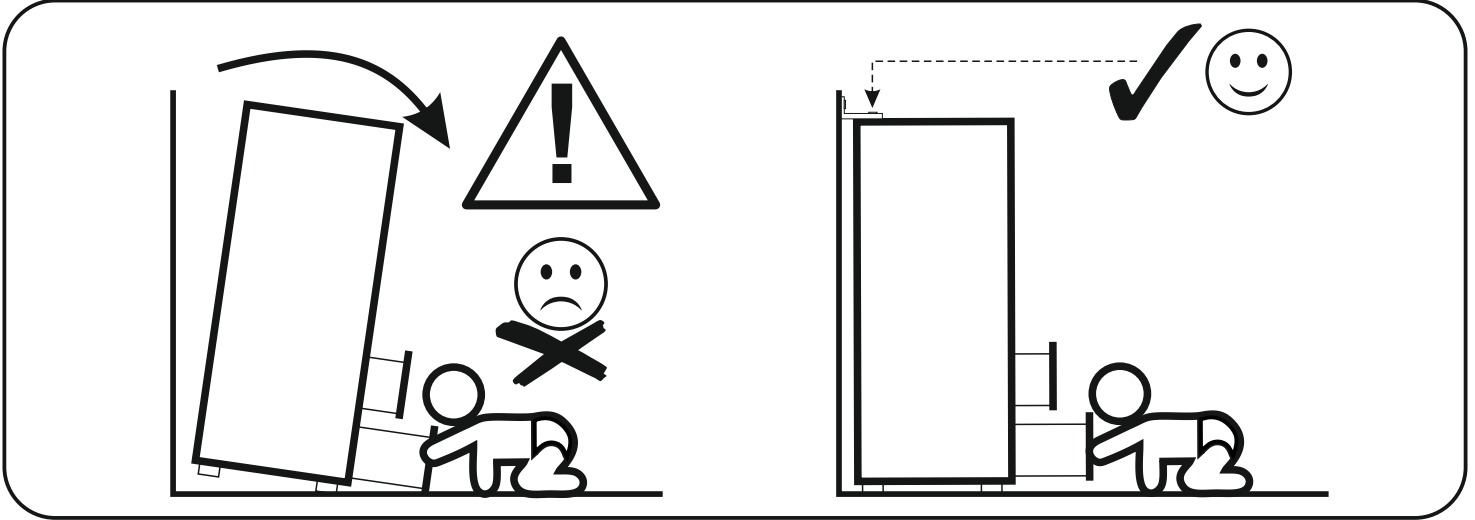
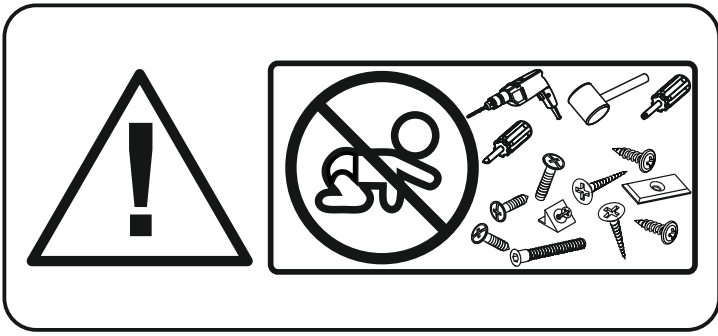

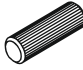

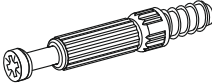

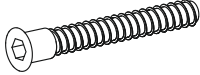
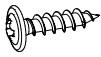
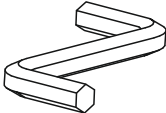

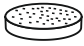
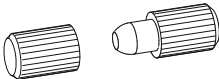
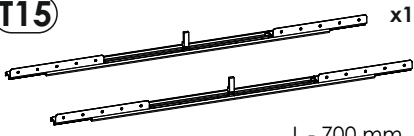


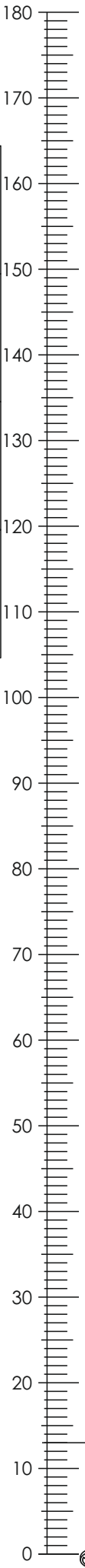
# CORT02



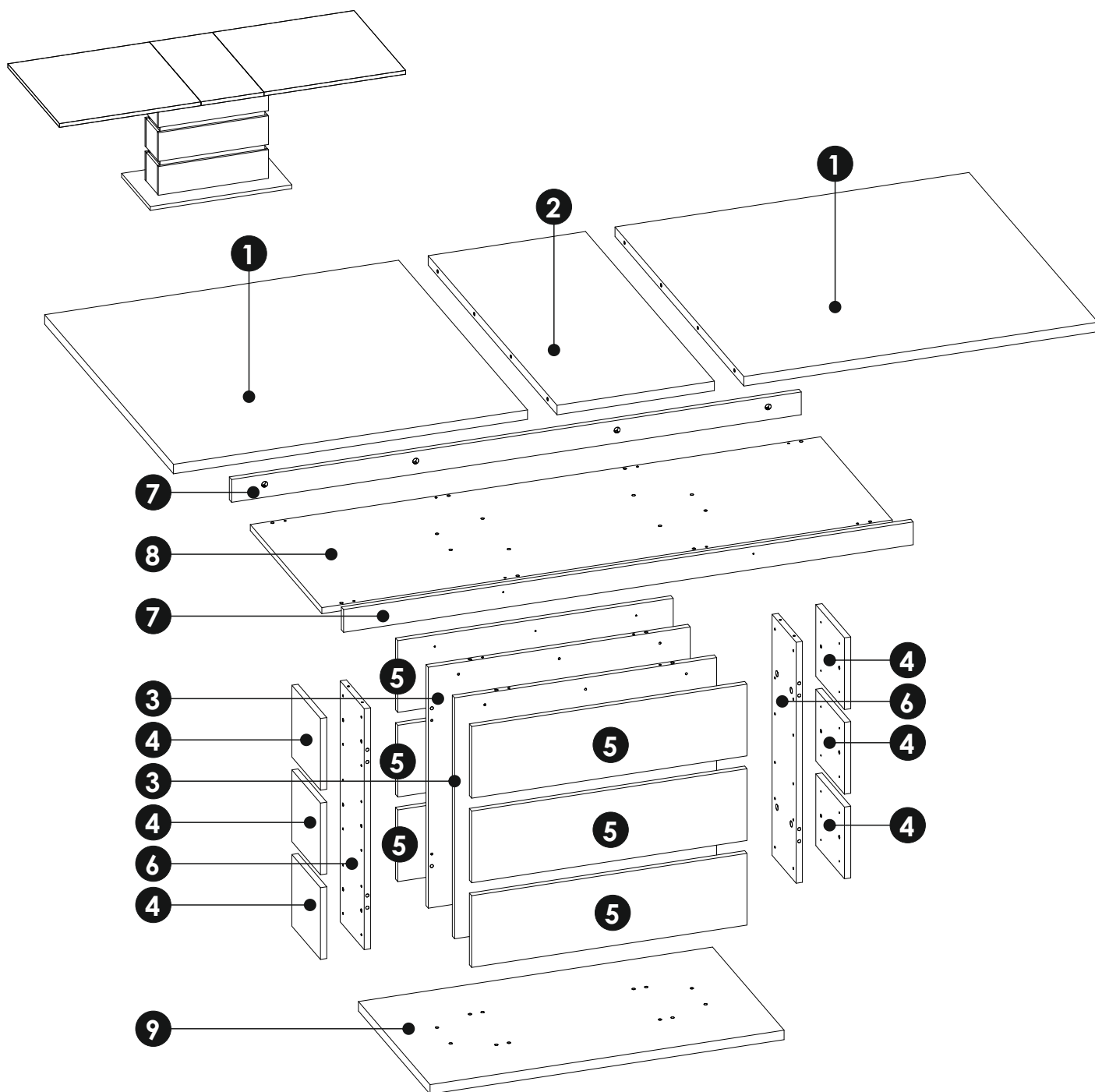


# CORT02

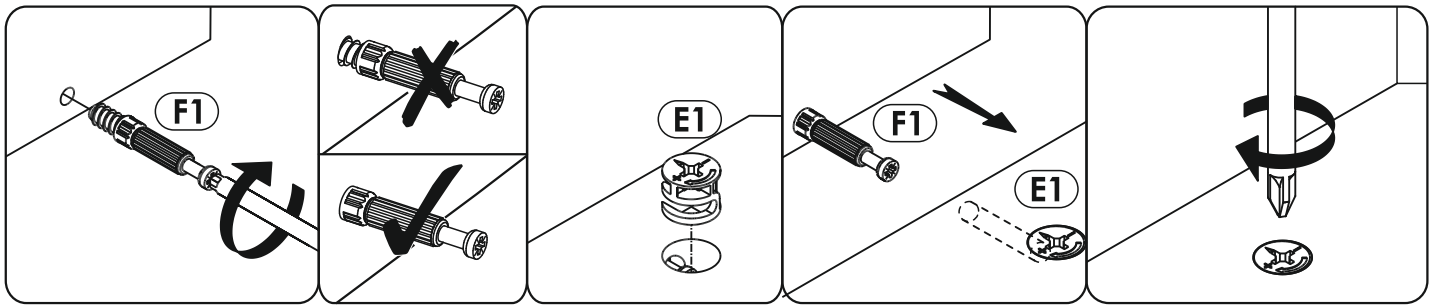
<b>A0</b> 8 x 20 mm x24 	<b>A1</b> 8 x 35 mm x24 	<b>E1</b> 15 x 12 mm x16 
<b>F1</b> 6 x 34 mm x16 	<b>G0</b> x8 	<b>G2</b> 7 x 60 mm x16 
<b>I2</b> 4 x 16 mm x40 	<b>M</b> x1 	<b>N14</b> 4 x 30 mm x60 
<b>O2A</b> ø20 x14 	<b>R9</b> x8 	<b>T15</b> x1  L - 700 mm



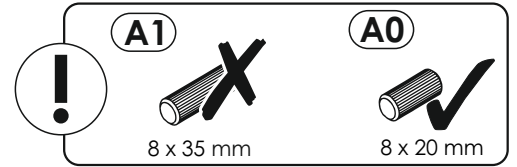
# CORT02



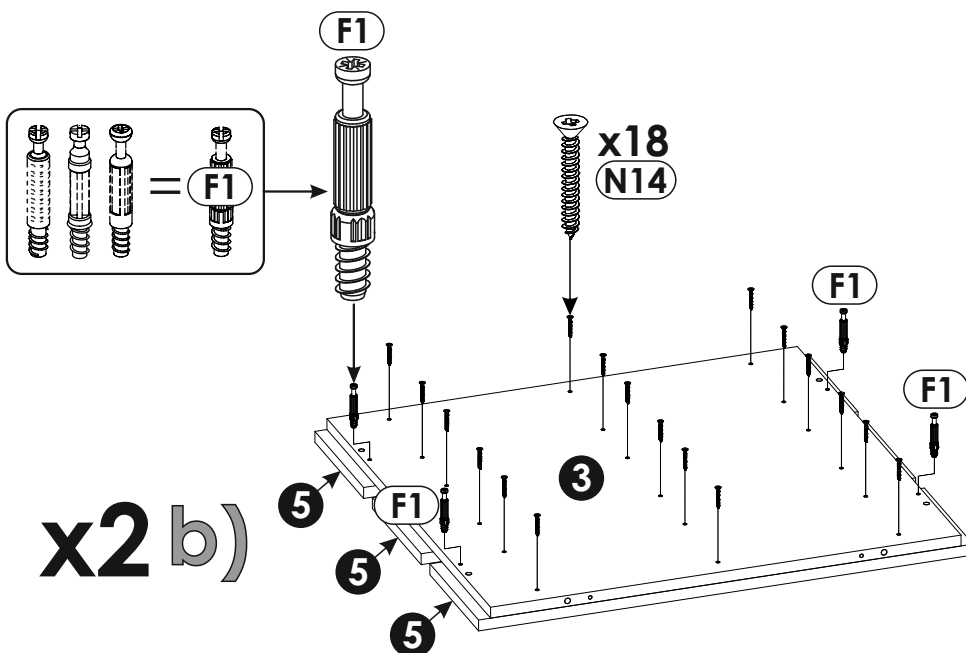
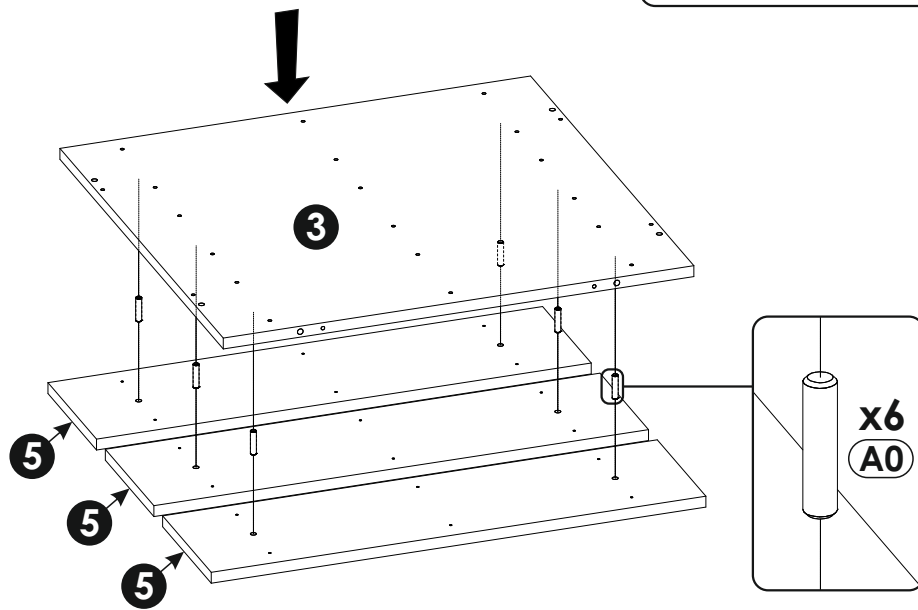
<b>1</b>	900	900	25	x2	3/3
<b>2</b>	900	400	25	x1	2/3
<b>3</b>	666	635	16	x2	1/3
<b>4</b>	200	189	16	x6	2/3
<b>5</b>	700	189	16	x6	1/3
<b>6</b>	168	635	16	x2	1/3
<b>7</b>	1448	60	16	x2	2/3
<b>8</b>	1450	500	16	x1	2/3
<b>9</b>	900	500	25	x1	2/3



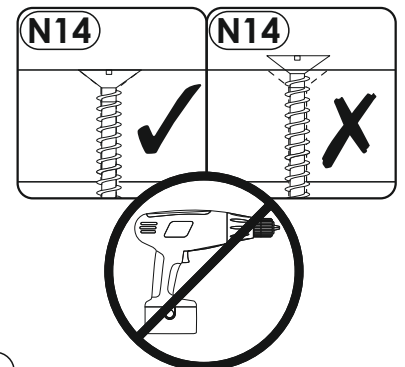
1 ▶



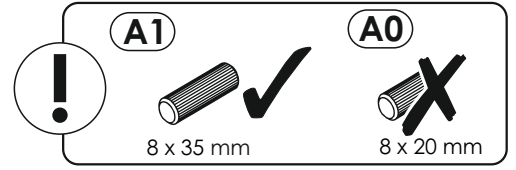
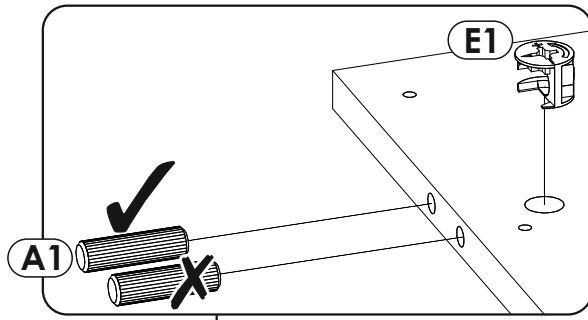
x2 a)



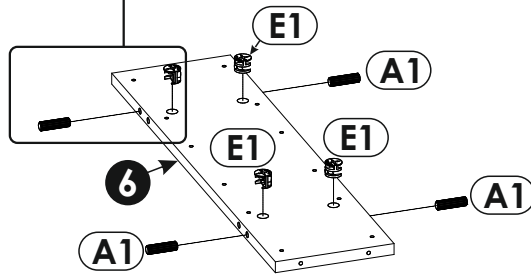
x2 b)



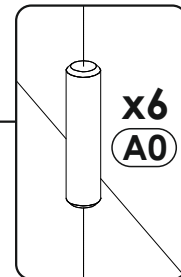
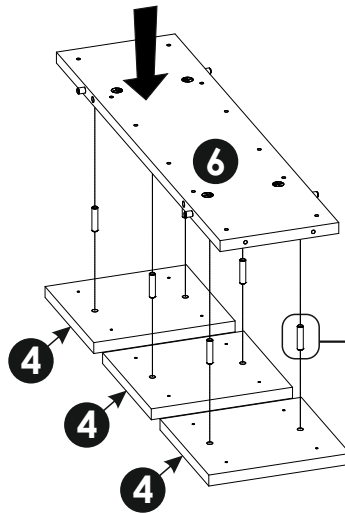
2 ▶



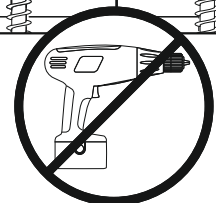
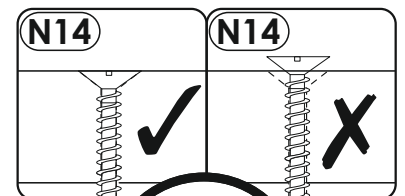
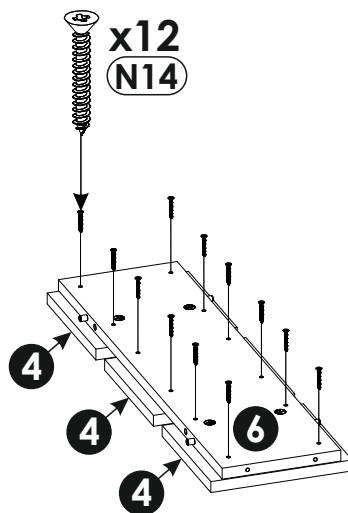
x2 a)



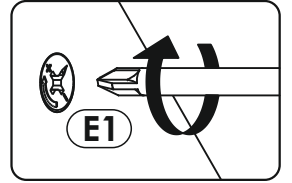
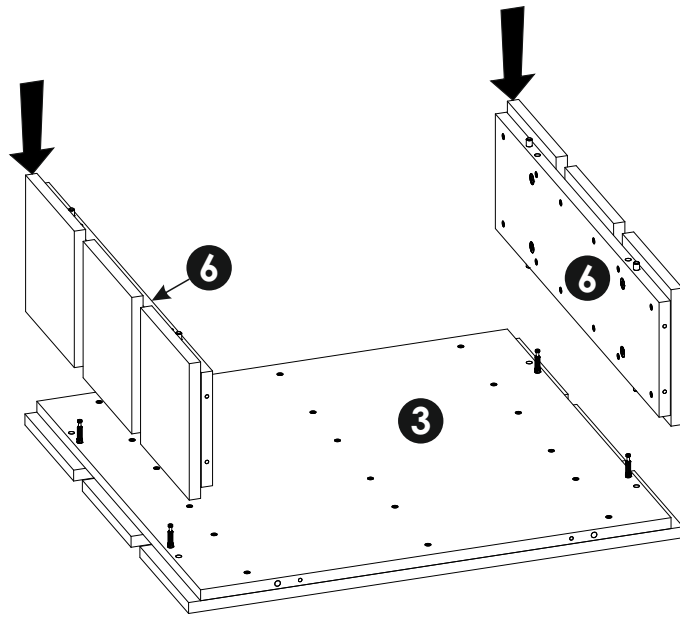
x2 b)



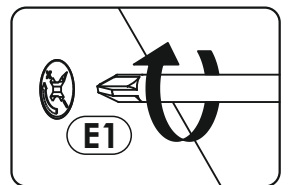
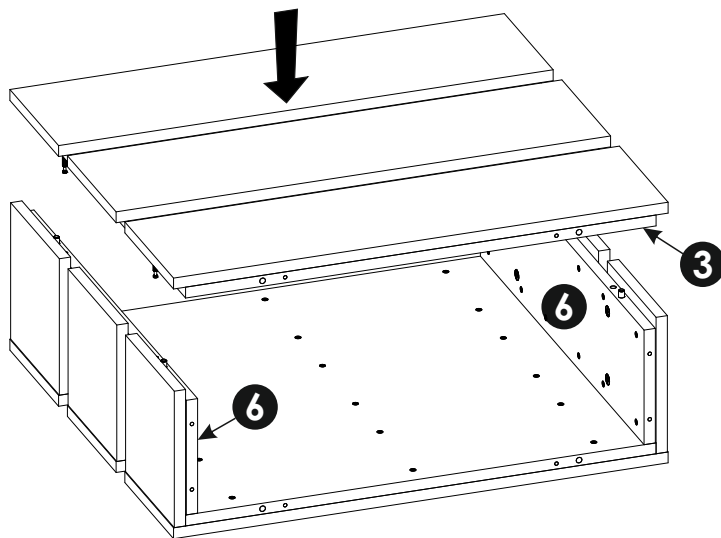
x2 c)



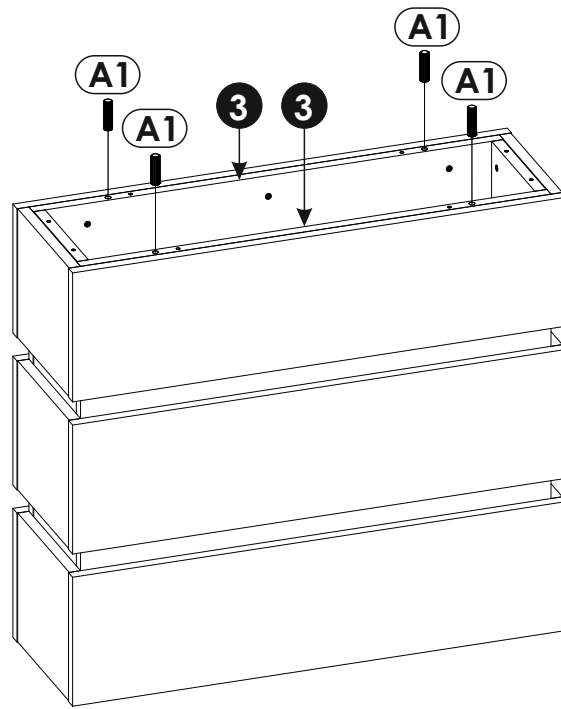
3 ▶



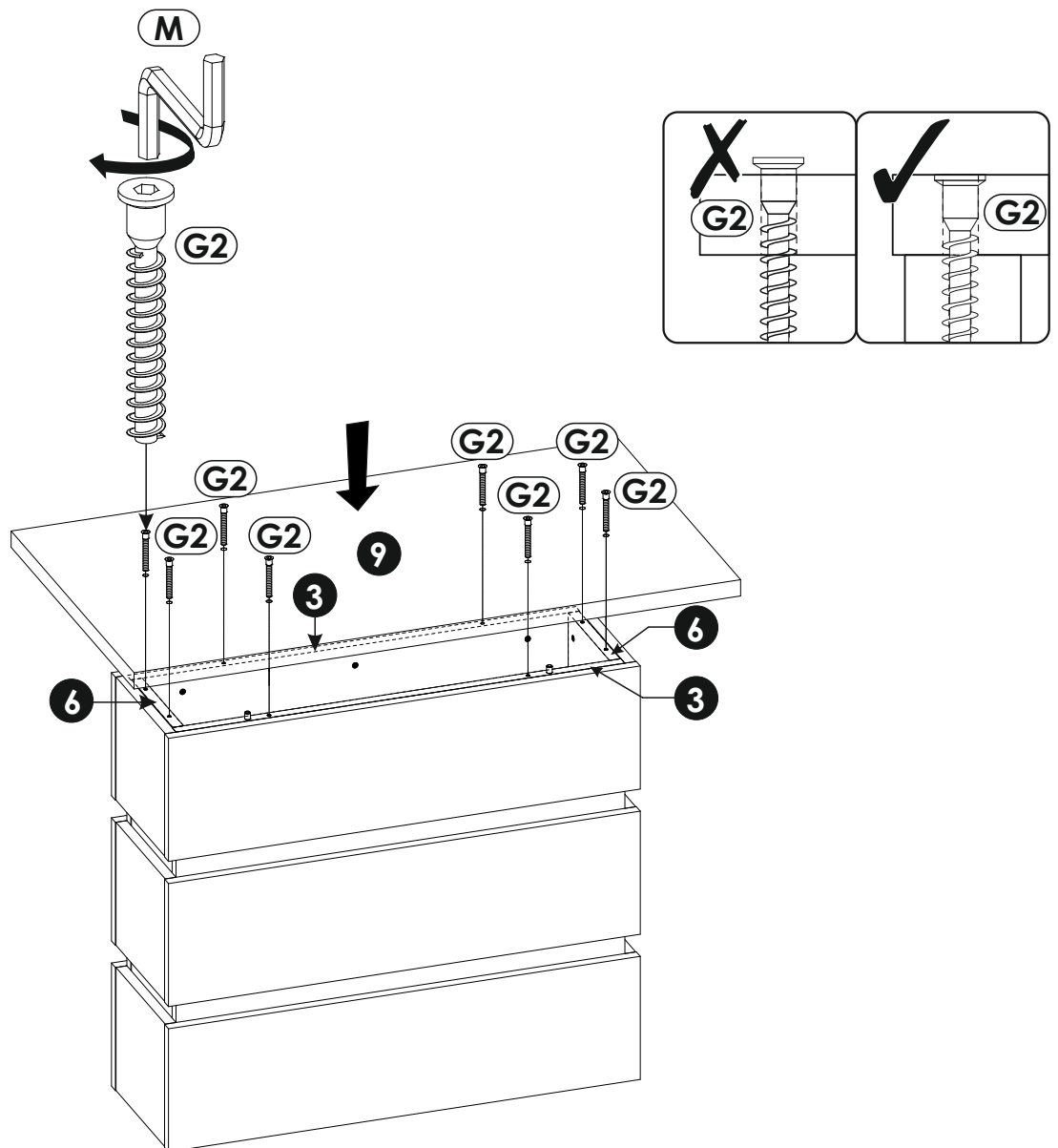
4 ▶



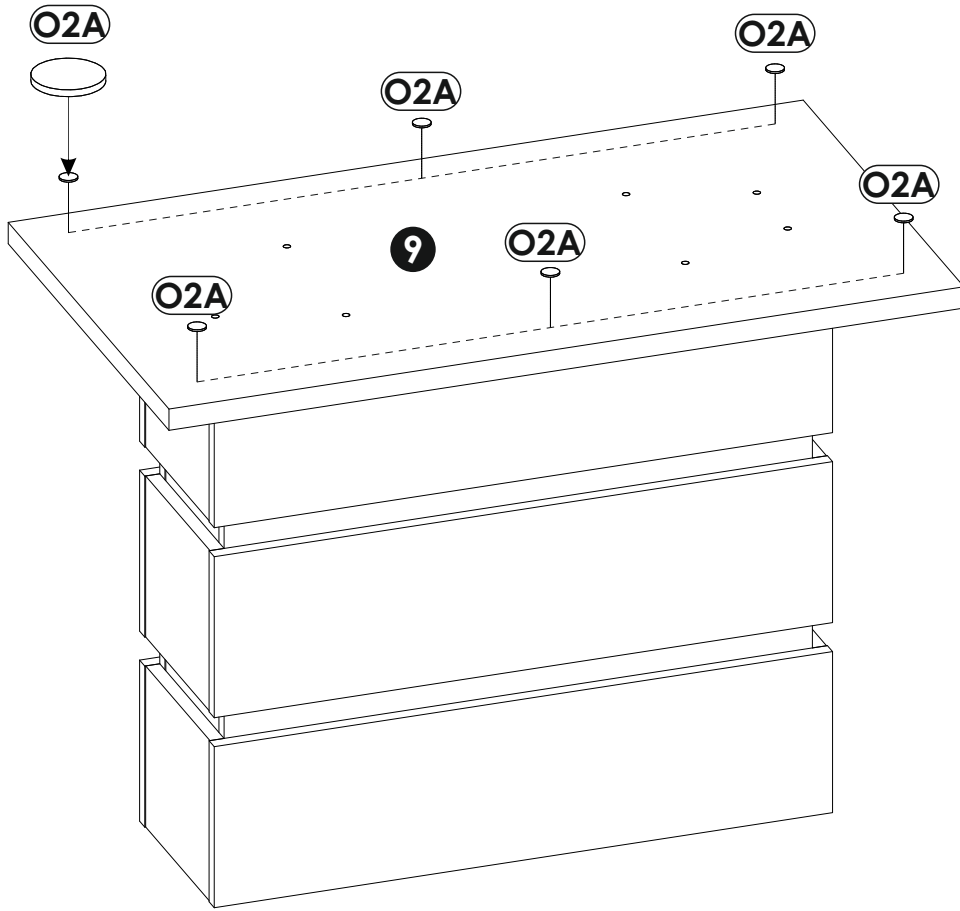
5 ▶



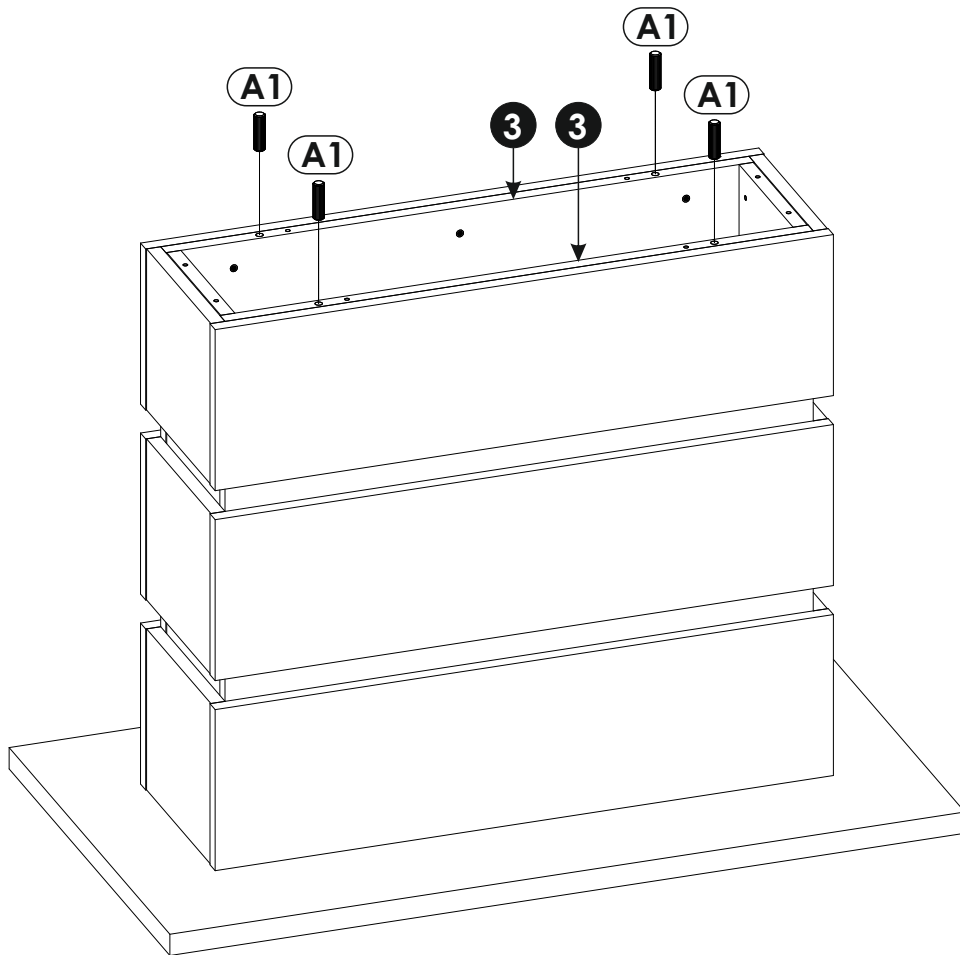
6 ▶



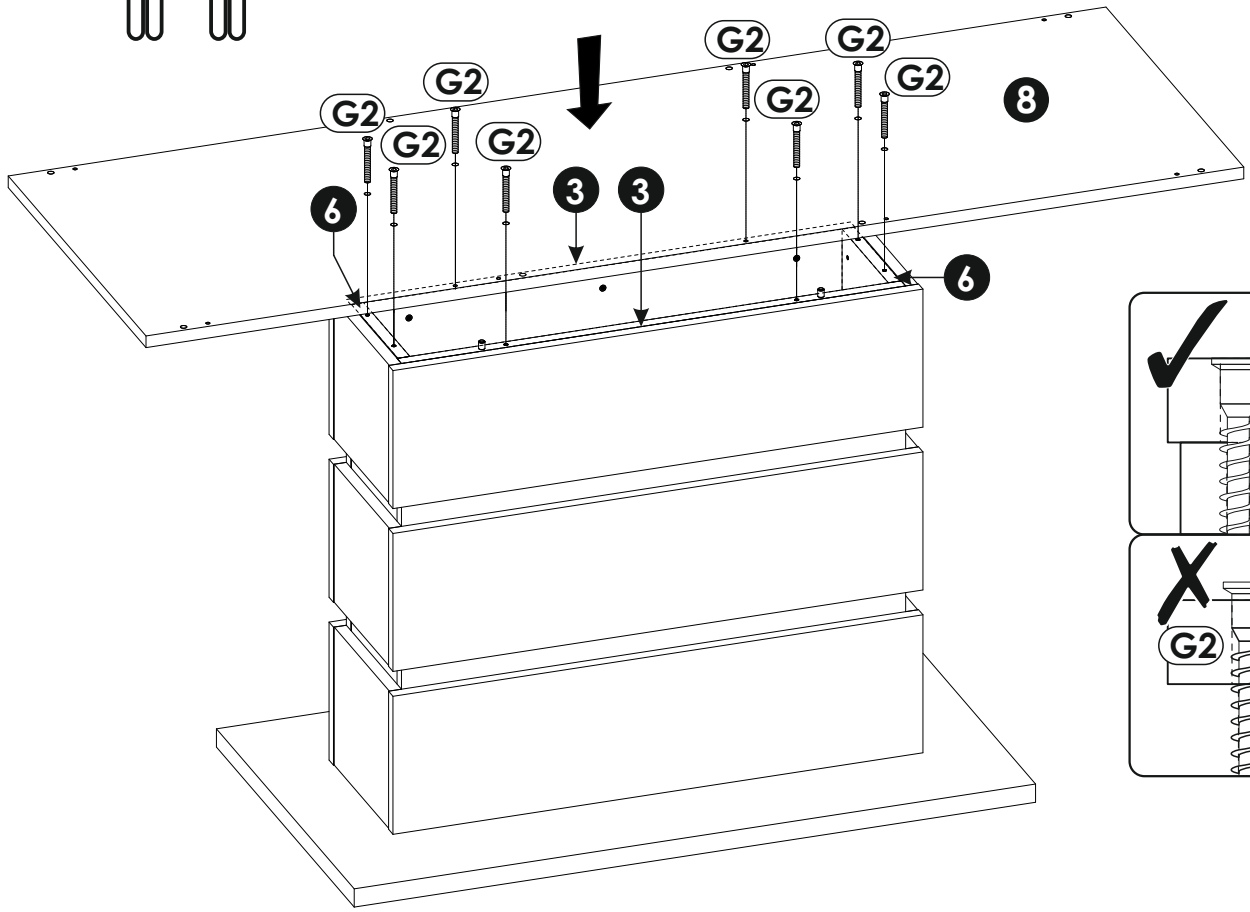
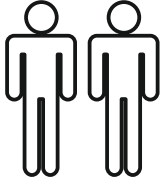
7 ▶



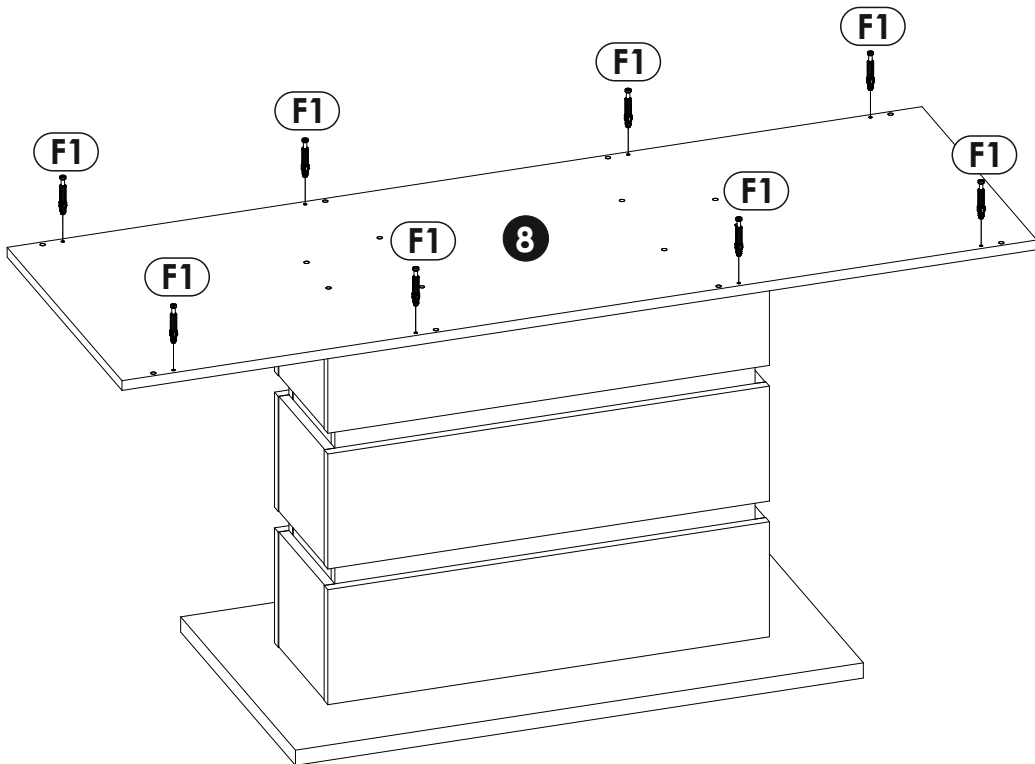
8 ▶



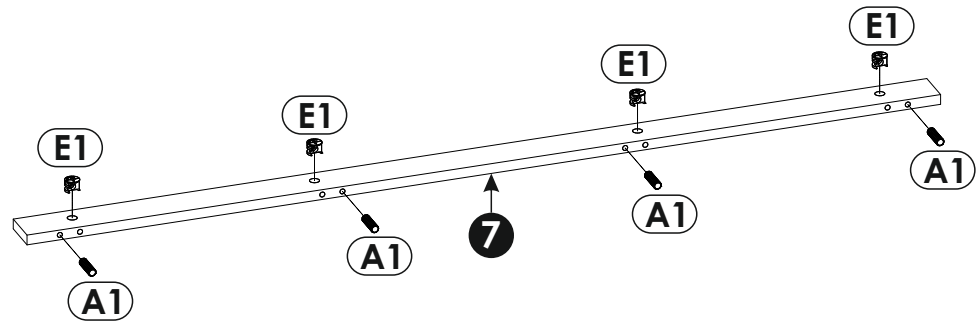
9 ▶



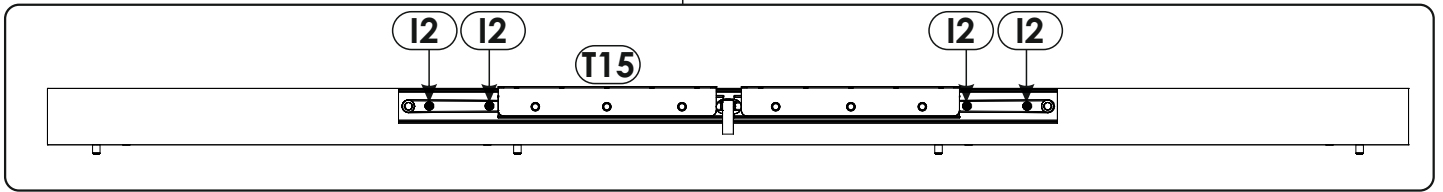
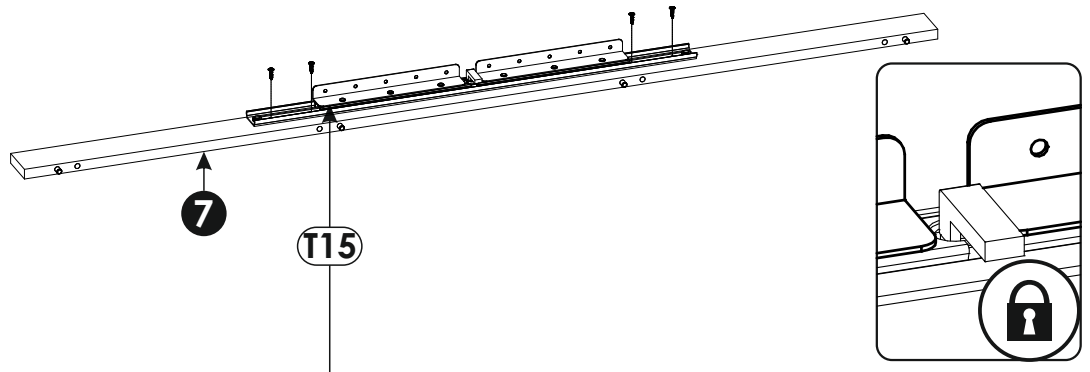
10 ▶



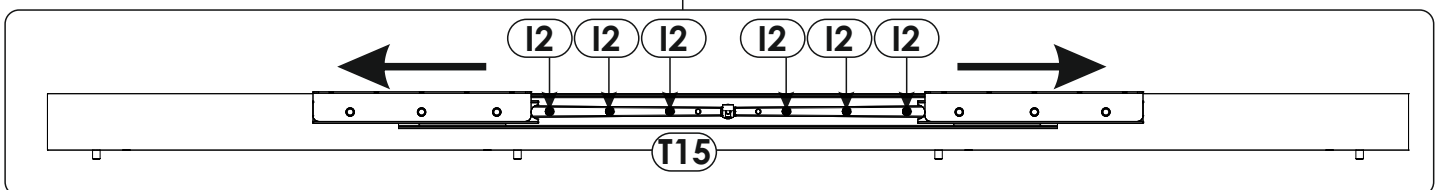
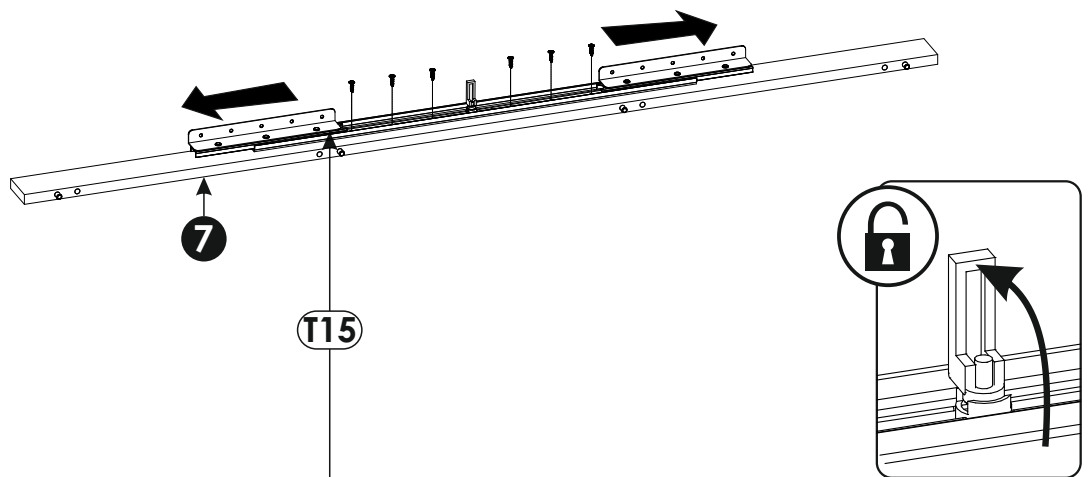
x2 a)



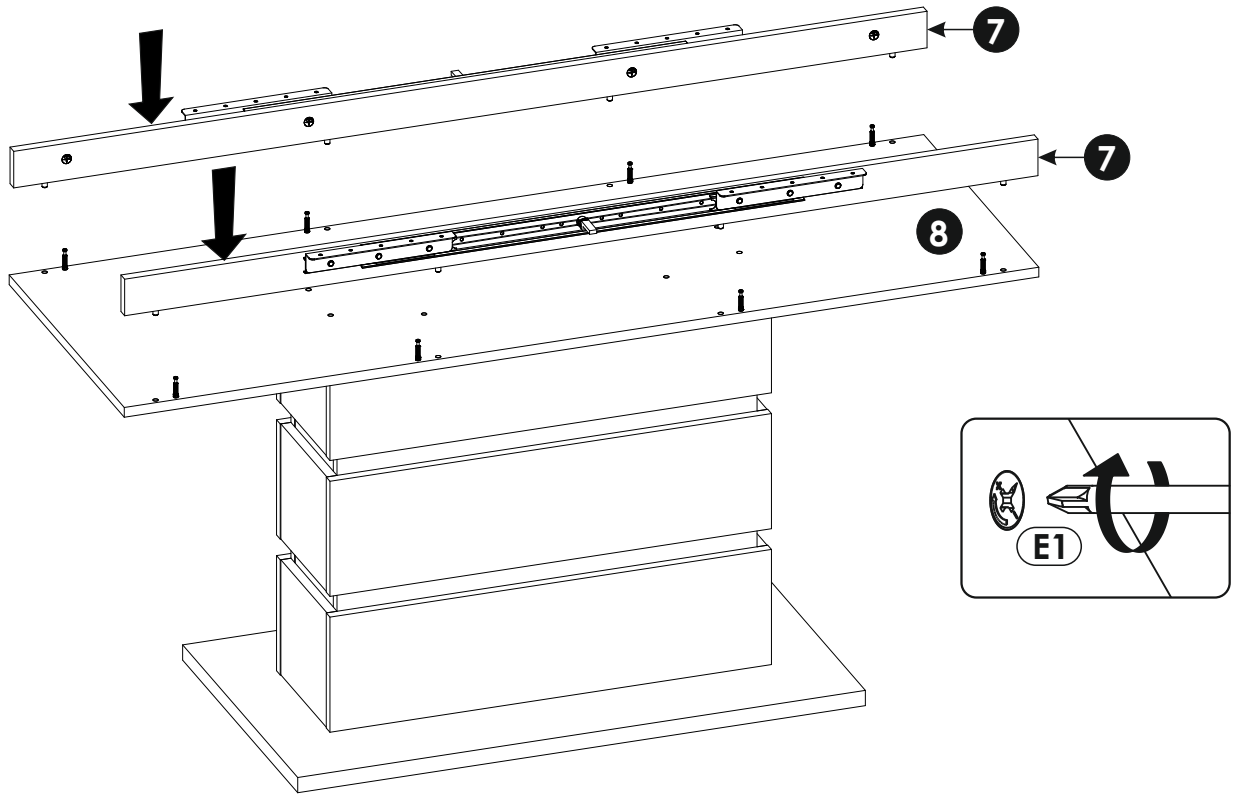
x2 b)



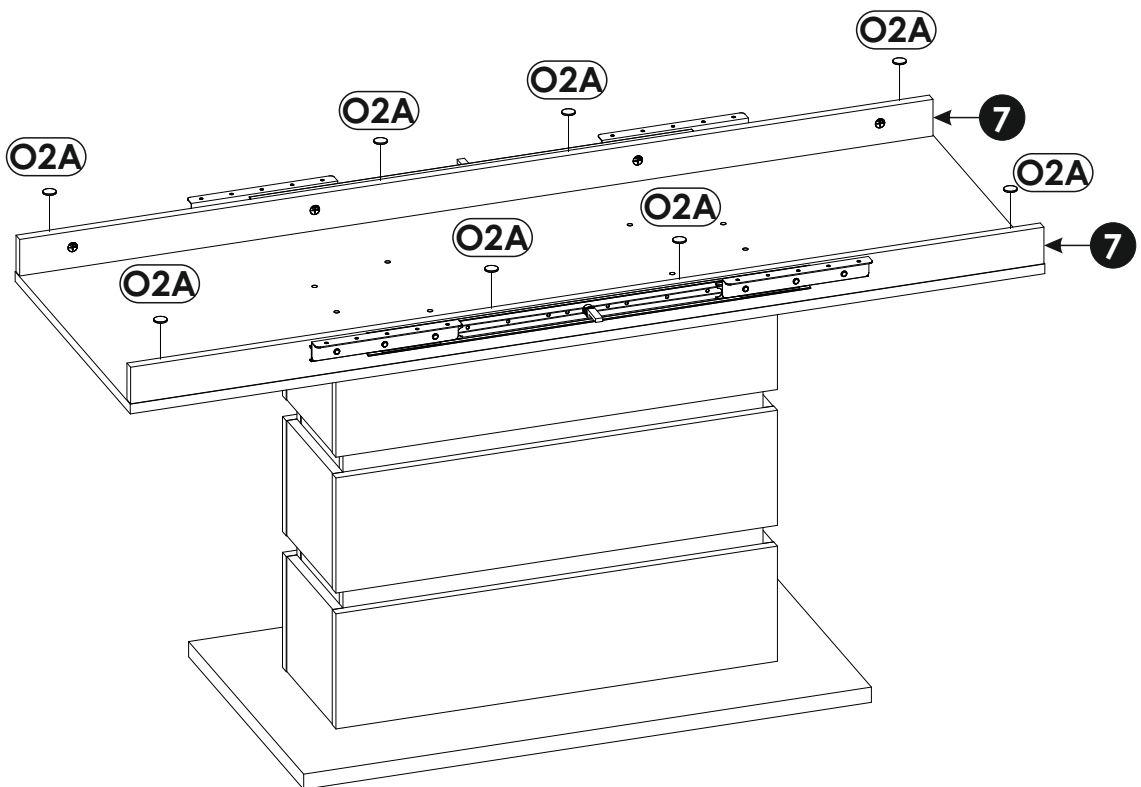
x2 c)



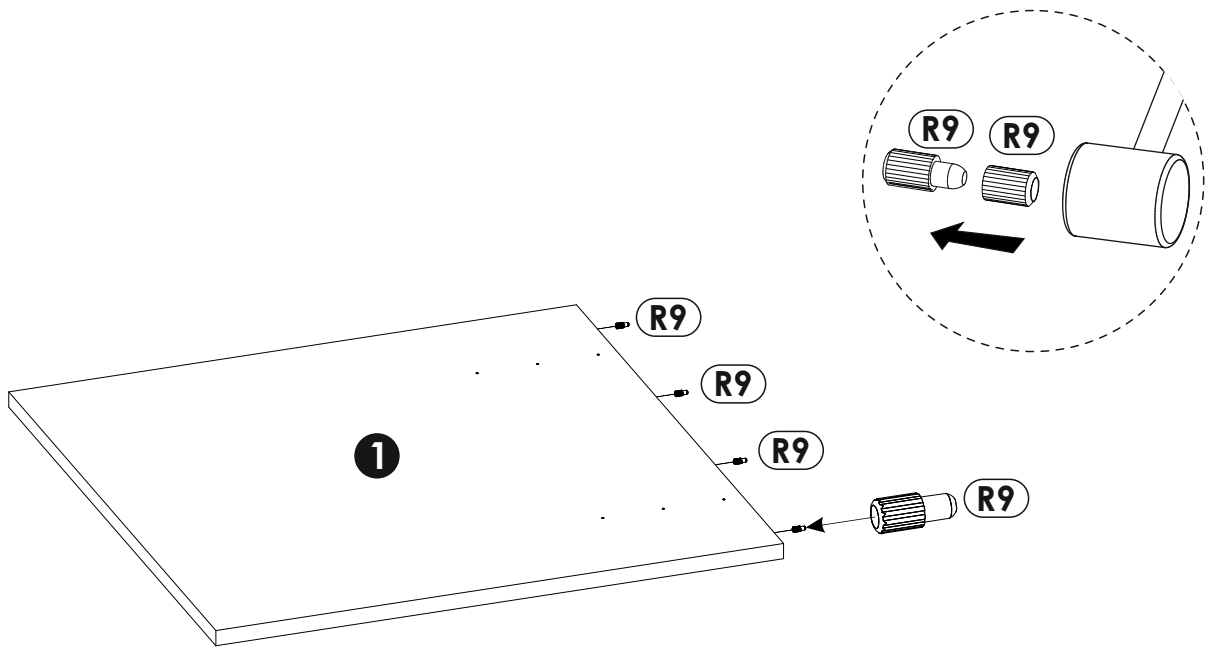
12▶



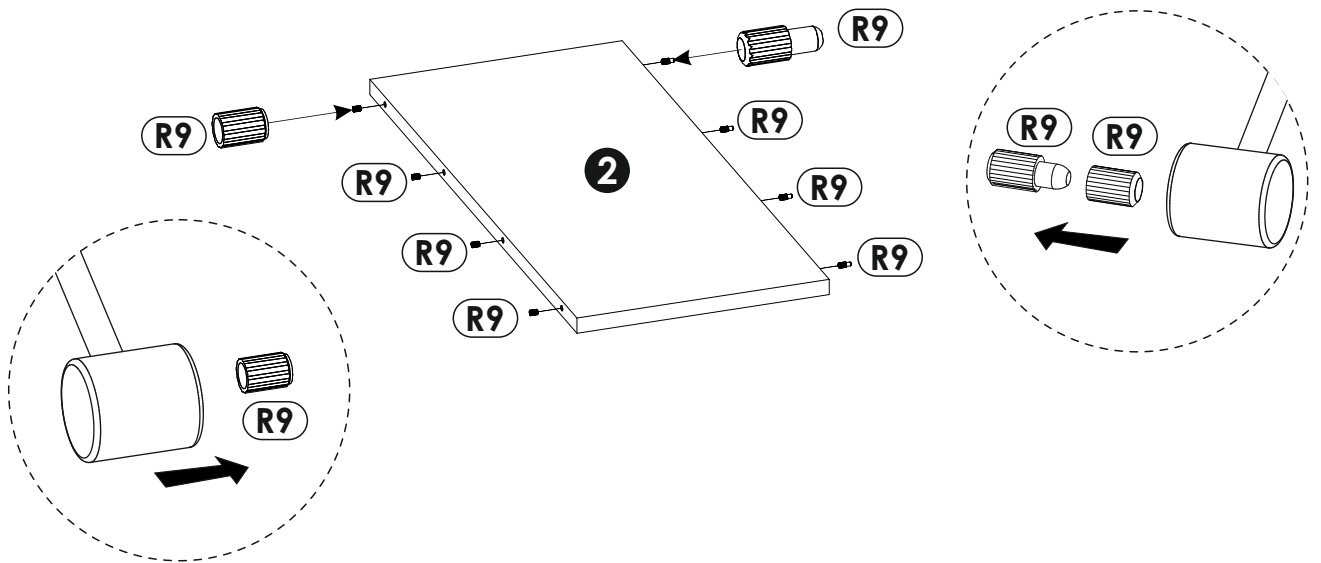
13▶



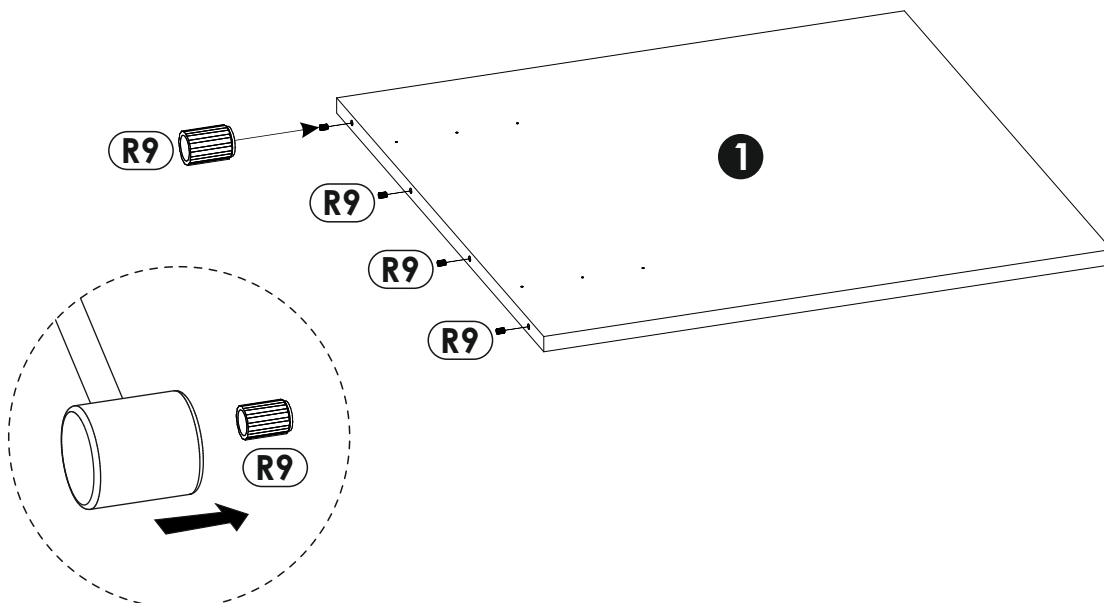
14▶



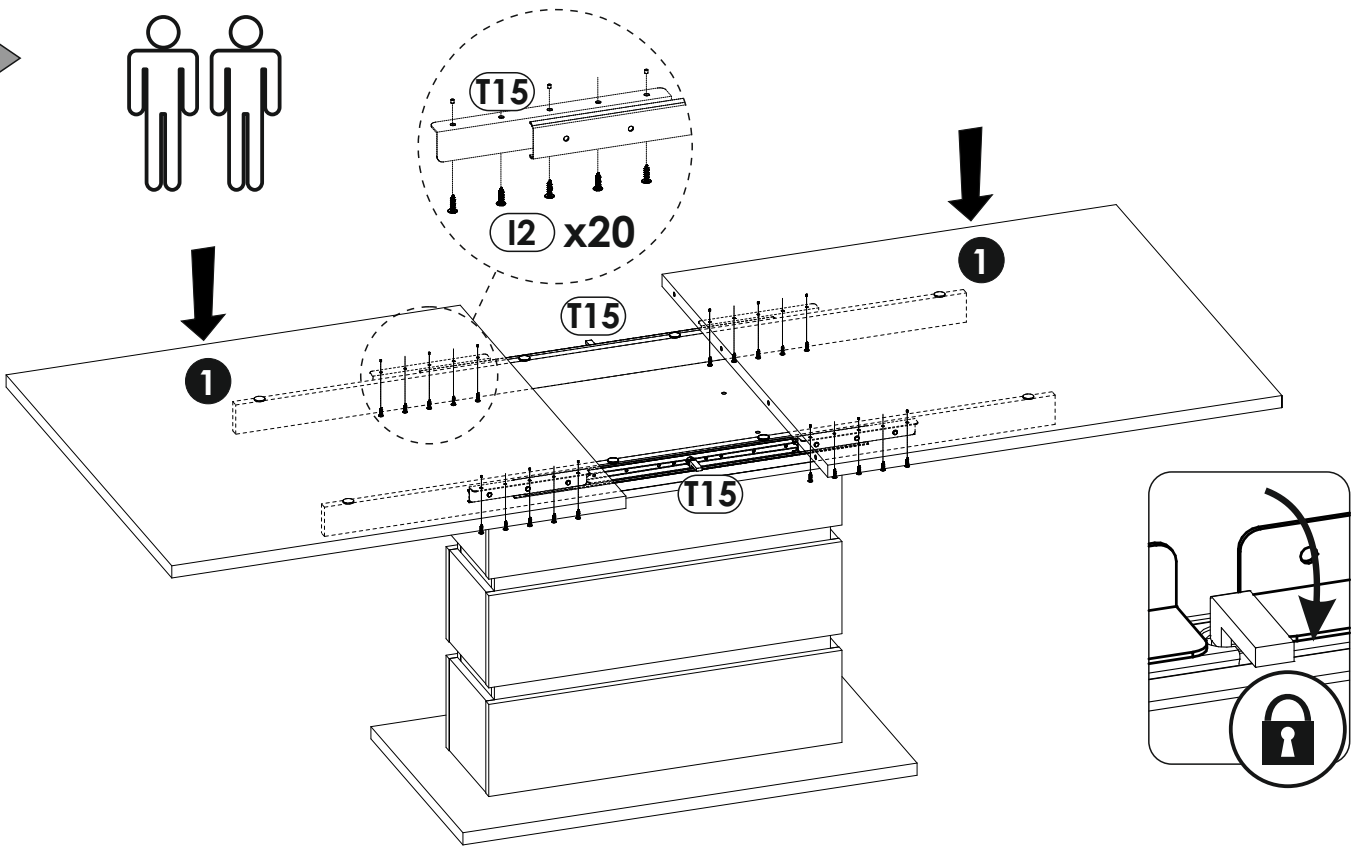
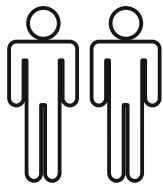
15▶



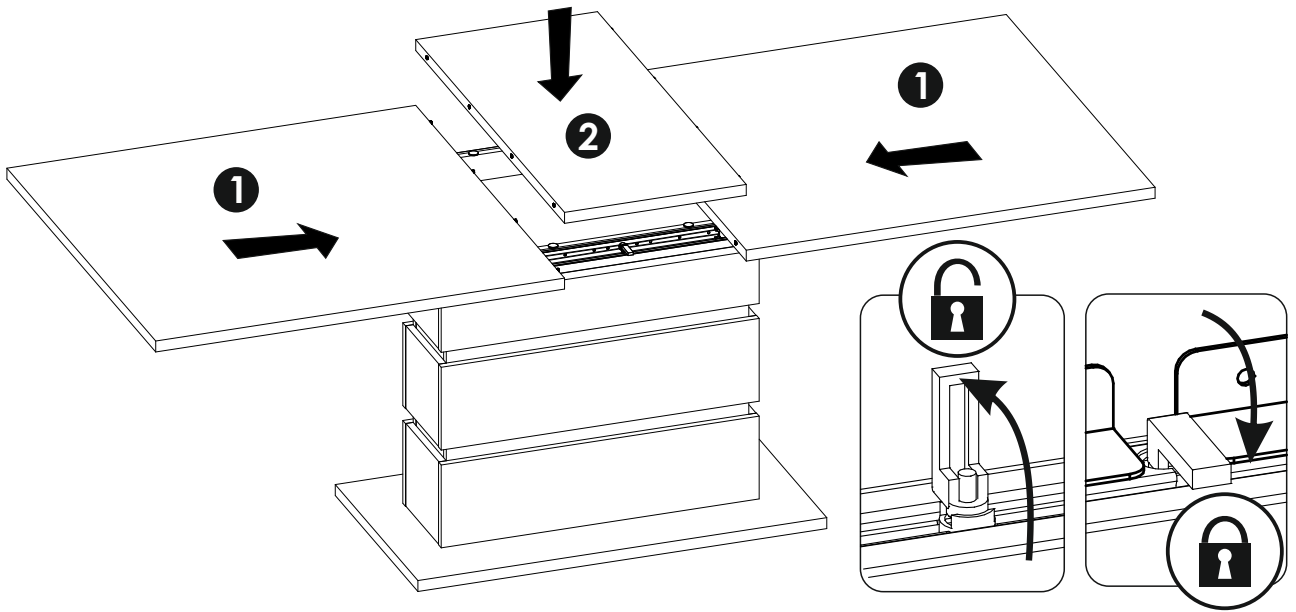
16▶



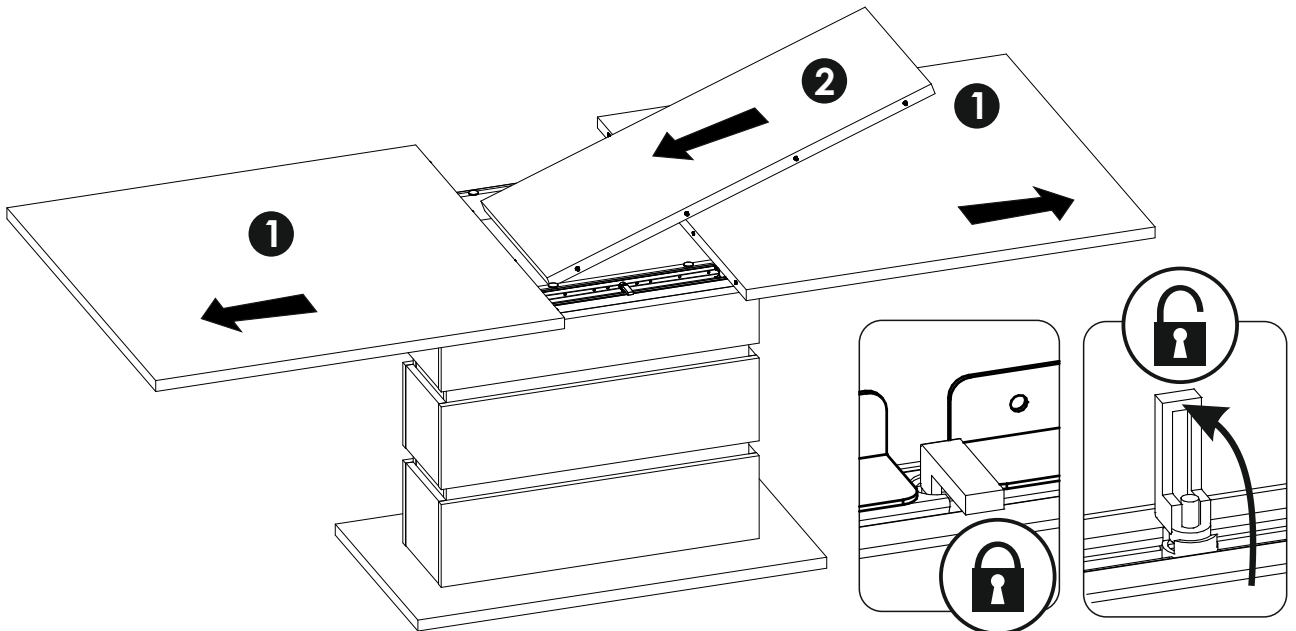
17▶



18▶



19▶



20▶

