



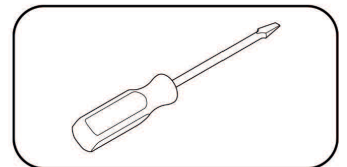
Pragma

Dual Top Table

Sand/water & picnic table with blackboard | Sand/Wasser- und Picknicktisch mit Schreibtafel
Zand/water- en picknicktafel met krijtbord | Table de pique-nique, d'eau et sable avec tableau noir
Mesita de picnic, arena y agua con pizarra | Tavoli da picnic, sabbia e acqua con lavagnetta



CE



USER MANUAL

Keep instructions for later use

GEBRAUCHSANWEISUNG

Anleitung zum späteren Gebrauch aufbewahren

GEbruIKSHANDLEIDING

Handleiding bewaren voor later gebruik

MODE D'EMPLOI

Conserver la notice pour usage ultérieur

MANUAL DE USUARIO

Guardar estas Instrucciones para su uso future

ISTRUZIONE PER L'USO

Conservare l'istruzioni per uso successivo

WARNING



Read these instructions carefully before use.



WARNING

This beach wagon is only for the transportation of children older than 36 months and a maximum transport weight of 80 kg.



WARNING

Check the beach wagon before use that it is setup correctly. This beach wagon can hold maximum 2 children at one time.



WARNING

Do not sit on the tailgate, to avoid roll-over risk. The wagon shall be used under the supervision of adult in walking speed.



WARNING

Do not leave your child unattended. Always have the beach wagon in break-position when moving the children in and out the beach wagon.



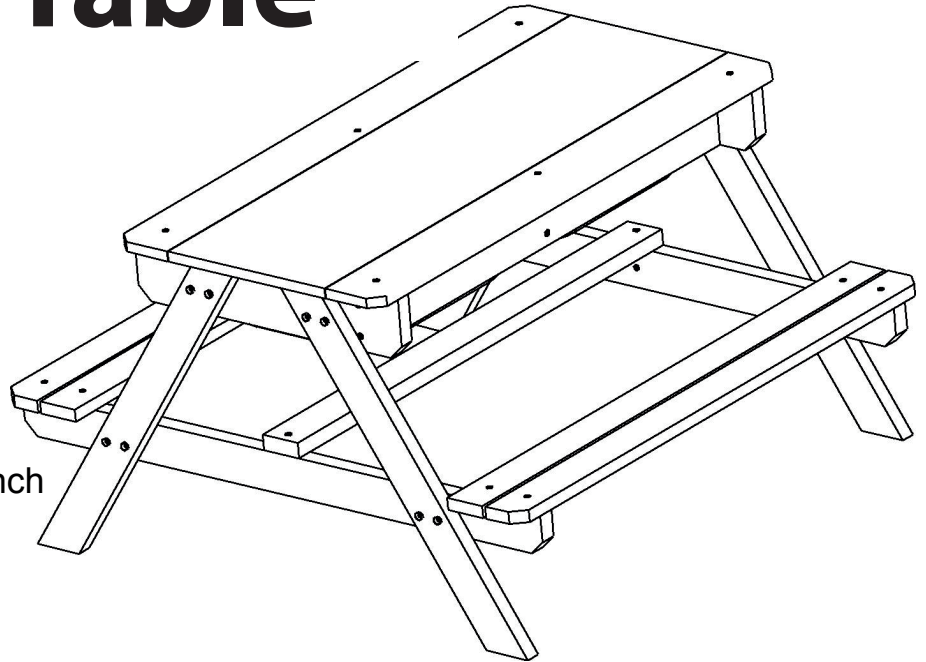
WARNING

This product is not suitable to attach to a vehicle.



Pragma

Dual Top Table



Weight Limit: 65 pounds per bench

Age Grading: 3 – 5 years old

Please read these instructions carefully. It contains safety, assembly, use and maintenance information. Proper assembly, use and maintenance will allow your child's safe and enjoyable use of this product for a great length of time. For the safety of everyone, it is important to fully read and understand these instructions and safety hazards before the assembly and use of this product. Always keep these instructions for future reference.

Your newly purchased table is made of natural wood. Color variations, wood grains, and slight form movements are natural characteristics to the wood used.

SAFETY NOTES:

- Never leave a child unattended while using this unit
- Always use table on level and solid ground
- Do not fill Plastic Trays more than 50%. By following this simple tip you will create a safer play environment and extend the life of the table.
- Make sure the unit is only used as intended. Do not step on unit.
- Make sure there are not electrical wires, electronics, anything that can cause an electrical shock, or the like, where children are playing.
- For residential use only
- Make sure children are instructed on how to safely use this item
- Make sure the screw and bolt heads are flush with the surface after assembly in order to prevent snagging of clothing, possible injuries, and to ensure the unit is securely built.

MAINTENANCE:

- Do not leave table outdoor exposed to the elements for an extended period of time.
- Check all the fasteners immediately after the first use, and tighten again if necessary.
- Inspect the whole unit every week for wear and tear or loose fastener. Tighten hardware immediately if loose fastener/s are found.
- Maintain the unit in safe working condition at all times.
- It is best to store the unit indoors during rain, snow or below freezing conditions
- Surface wash only with a clean, damp cloth. Do not immerse in water. Do not use bleach or other harsh chemicals.
- Natural wood can crack if kept long in a very dry environment. Occasional application of natural mineral oil approved for children's use can prevent cracking.

⚠️WARNING: CHOKING HAZARD

Unassembled parts may be a choking hazard to children 3 years and younger.

⚠️CAUTION:

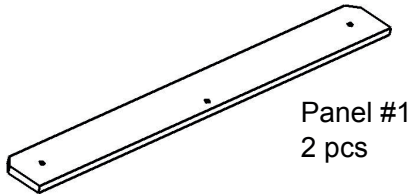
Adult assembly required. This product must be assembled by an adult who has read and understood these instructions. Keep unassembled parts and packaging out of the reach of small children. Parts of product can present dangers if it is not correctly assembled. Dispose of packaging material properly.

⚠️WARNING: DROWNING HAZARD

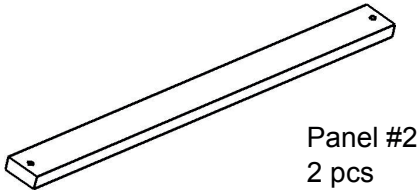
Never leave children unattended. There are risks associated with open containers filled with water. Adult supervision is required at all times.



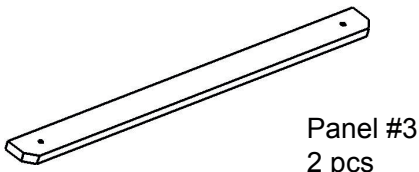
Parts Included:



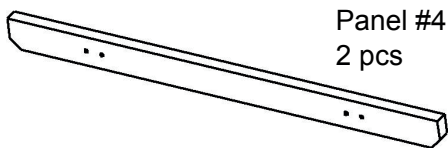
Panel #1
2 pcs



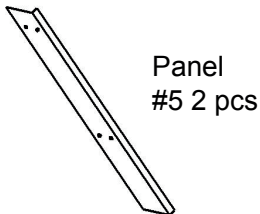
Panel #2
2 pcs



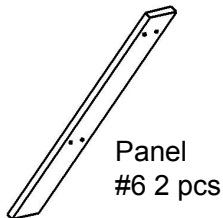
Panel #3
2 pcs



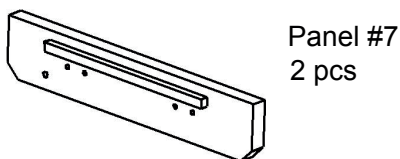
Panel #4
2 pcs



Panel #5
2 pcs



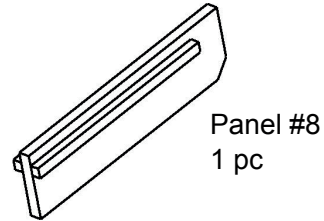
Panel #6
2 pcs



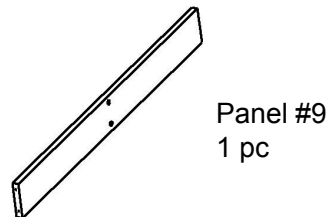
Panel #7
2 pcs



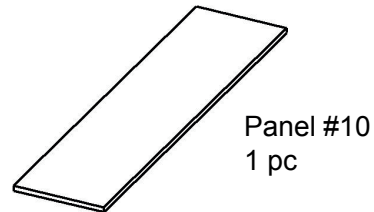
Allen Wrench



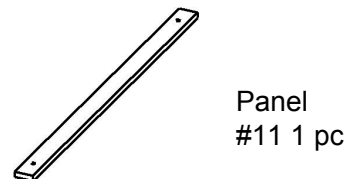
Panel #8
1 pc



Panel #9
1 pc



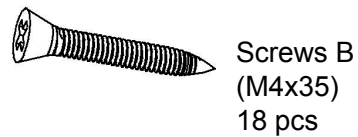
Panel #10
1 pc



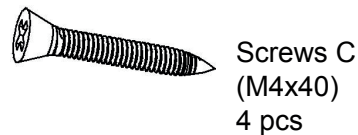
Panel #11
1 pc



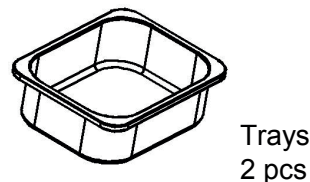
Screws A
(M6x40)
16 pcs



Screws B
(M4x35)
18 pcs



Screws C
(M4x40)
4 pcs



Trays
2 pcs

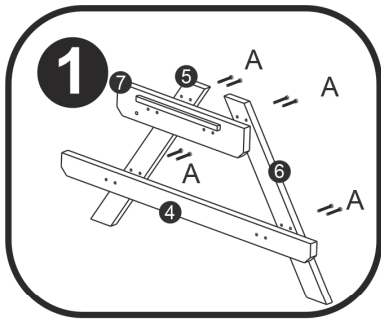


Assembly Instructions:

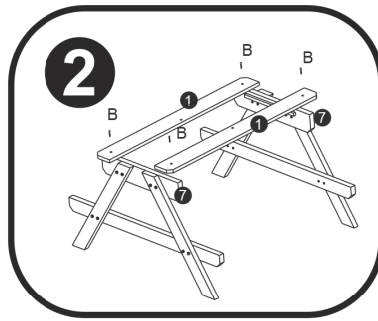
Before You Start:

Make sure that you have a comfortable space with adequate area to work. A padded environment is helpful to work (ex. carpeted room) to help reduce scratches. Keep in mind that having a person assist you is helpful. Check to make sure that all contents are accounted for. It is helpful to study the shape of each panel.

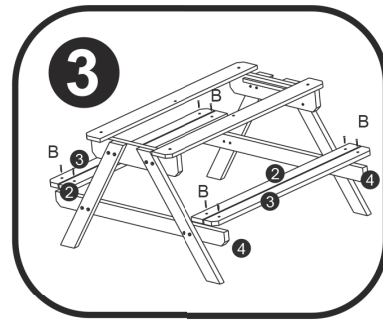
Do not over tighten fasteners as this may result in stripped threads in the wood holes.



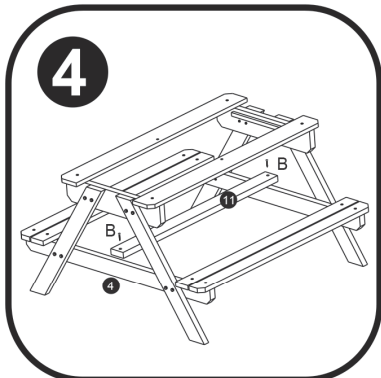
1
Leg assembly.
Attach Panel 7 and Panel 4 to Panel 5 and Panel 6 using eight Hex Bolts A. Use Hex Key (included) to tighten bolts. Make sure the panels are held tight against each other while tightening. Once connected, there should be no space between panels. Repeat these steps for the leg used at opposite end.



2
With the help of another person, stand each assembled leg upright. Attach each piece of Panel 1 to Panels 7, with the rounded corners of Panel 1 facing outwards. Locate the pilot holes on Panel 7 and align with the screw holes on Panel 1. Drive one Screw B through each screw hole at the ends of Panel 1, forming a secure connection to Panels 7.



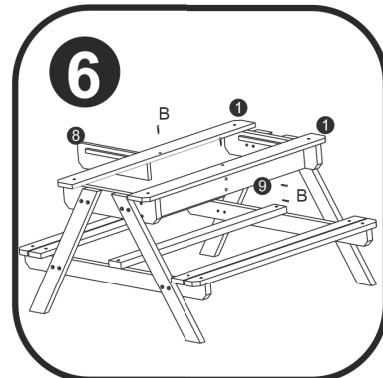
3
Attach Panels 2 and Panels 3 to Panels 4 using Screws B, one at each panel end. Align the pilot holes on Panels 4 with the screw holes on Panels 2 and Panels 3. Rounded corners of Panel 3 should be facing outward. Drive one Screw B through each screw hole, forming a secure connection to Panels 4.



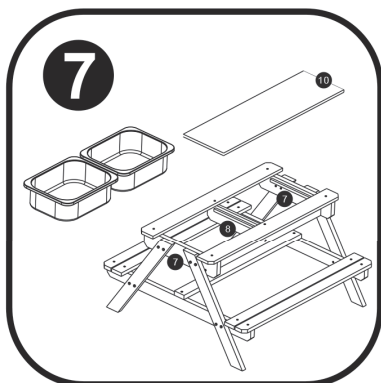
4
Attach Panel 11 to Panels 4 by locating the pilot holes on each of the two Panels 4. Align the pilot holes with the screw holes on Panel 11. Drive one Screw B into each end of Panel 11, securely connecting it to Panels 4.



5
Attach Panel 9 to Panels 7 by locating the pilot holes on the edges of Panel 9 and aligning with the screw holes on Panels 7. Drive one Screw C through each screw hole at the ends of Panels 7, forming a secure connection to Panel 9.



6
Locate the pilot holes on Panel 8 and align them with the screw holes on Panels 1 and Panel 9. Drive one Screw B through each screw hole in the middle on Panels 1 and Panel 9, forming a secure connection to Panel 8.



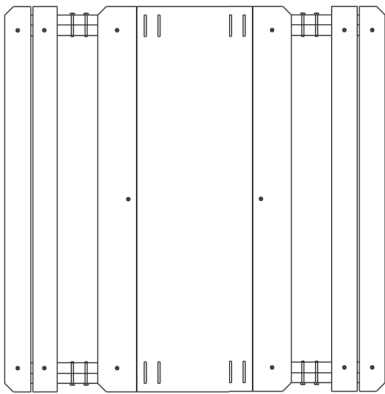
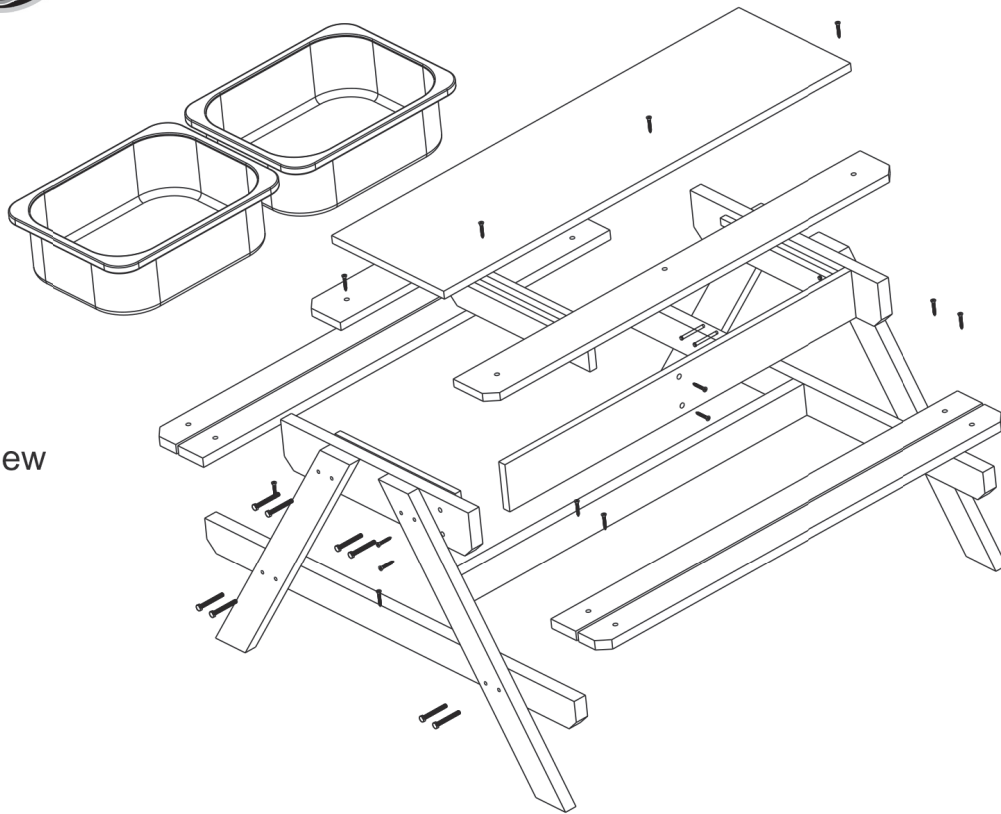
7
Slide the Plastic Trays into their appropriate locations. Make sure the edges of the Plastic Trays rest on the wooden support rails of Panel 8 and Panels 7. Then simply place Table Top 10 over the opening above bins.

BEFORE USING THE TABLE - Thoroughly review all connections. Make sure all bolts, screws and all connections are tight and secure. There should be no gaps between connected parts. All fasteners should be flush to the surface.

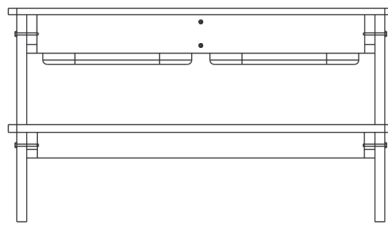


Pragma

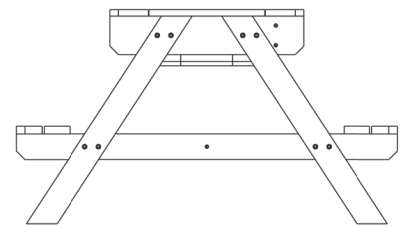
Overall View



Top View



Front View



Side View

Pragma verstrekt op de Sunny Dual Top Table bij juist gebruik een garantie van 2 jaar.

Pragma provides a 2-year guarantee on the Sunny Dual Top Table when properly used according to the general guarantee terms & conditions.

Pragma gibt entsprechend den allgemeinen Garantiebestimmungen für die Sunny Dual Top Table bei richtiger Verwendung eine Garantie von 2 Jahren.

Sur le Sunny Dual Top Table, Pragma offre une garantie de 2 ans à condition de l'utiliser de manière adéquate et conformément aux conditions générales de la garantie.

Pragma ofrece una garantía de 2 años a la Sunny Dual Top Table, siempre que se utilicen de forma adecuada, de acuerdo con las condiciones de garantía generales.

Il Sunny Dual Top Table - fermo restando un idoneo utilizzo - da una garanzia Pragma di 2 anni, secondo quanto previsto dalle condizioni generali di garanzia.