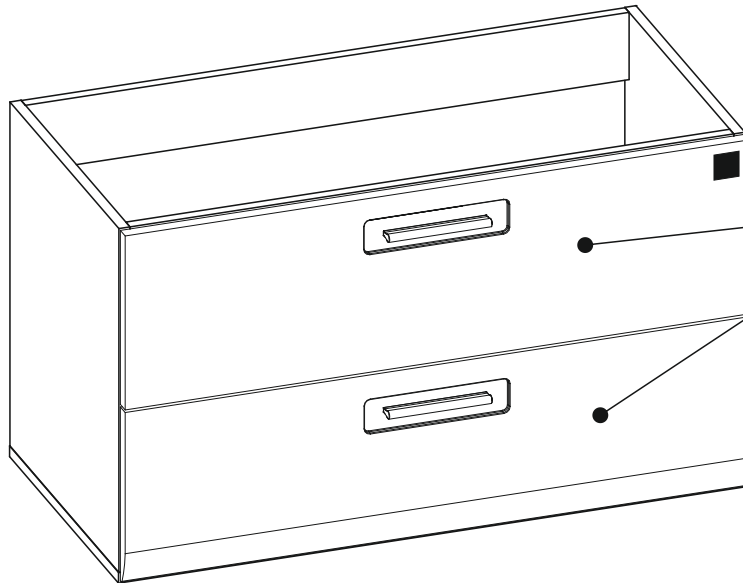
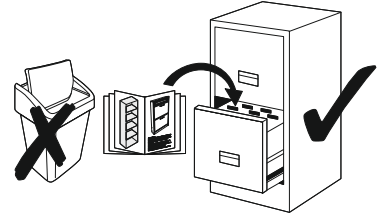
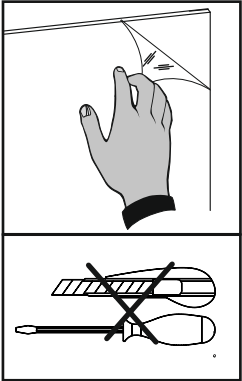


## AVENSIS NEW 303

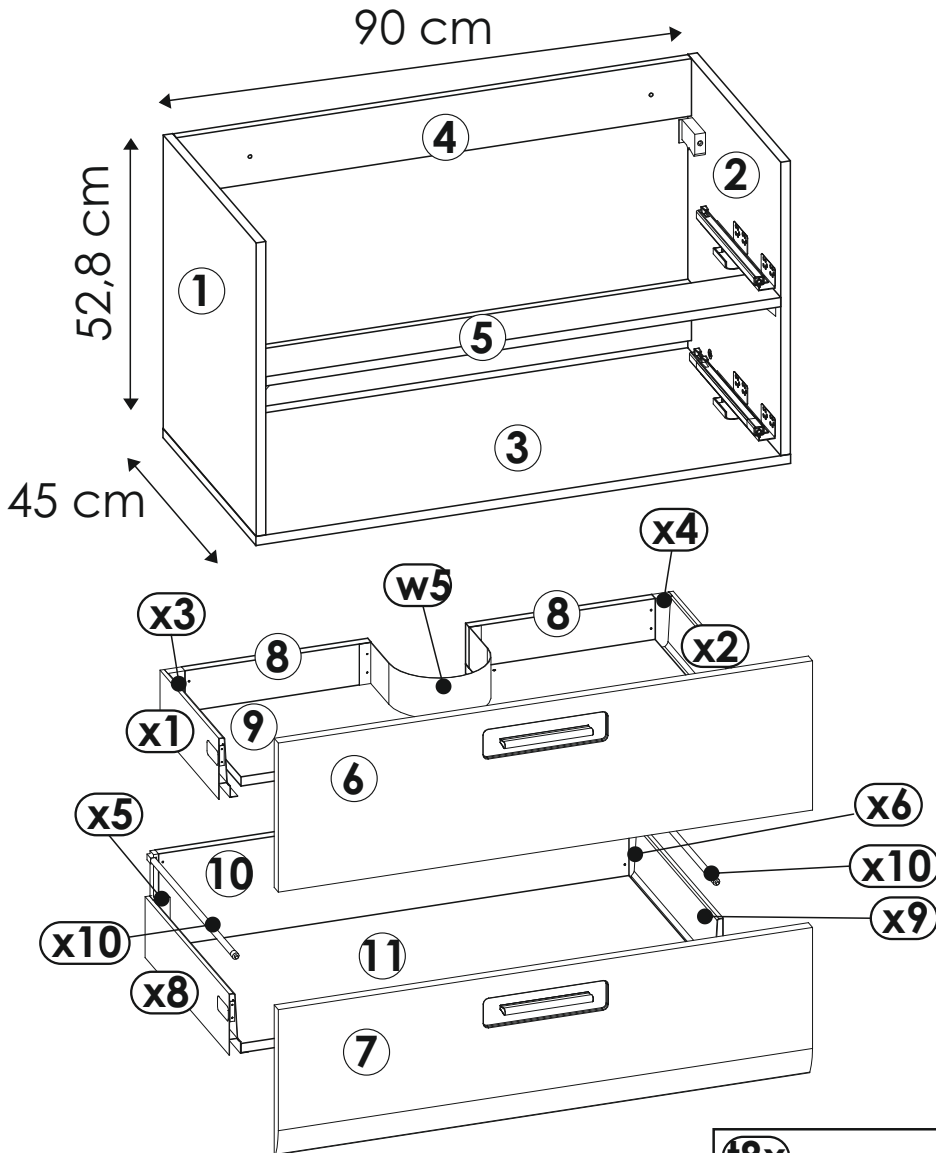


max.  
7 kg



1803

# AVENSIS NEW 303



<b>a1</b> 8x35 x....(x8)	<b>c3</b> Euro 6,3x13 x....(x12)	<b>e0</b> x....(x12)
--------------------------------	--	-------------------------

<b>e1</b> x....(x12)	<b>et</b> Luca BESSONI x....(x1)	<b>f1</b> x..(x12)	<b>i2</b> 4x16 x....(x21)
-------------------------	--	-----------------------	---------------------------------

<b>h1</b> x....(x2)	<b>i4</b> 3,5x40 x....(x2)
------------------------	----------------------------------

<b>k3</b> 4x22 x....(x4)	<b>m</b> x....(x1)	<b>p8a</b> R x....(x1)	<b>L</b> x....(x1)
--------------------------------	-----------------------	---------------------------	-----------------------

<b>n2</b> 3,5x16 x....(x18)	<b>p8b</b> x....(x2)
-----------------------------------	-------------------------

<b>f7x</b> L-270 x....(x1)
----------------------------------

<b>f8x</b> L-400 x....(x1)
----------------------------------

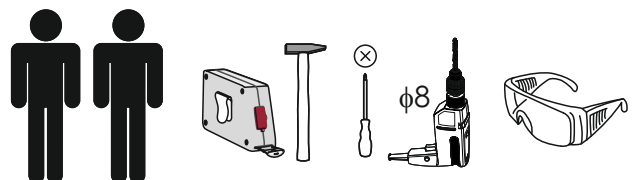
<b>w1</b> x....(x2)	<b>x7</b> a b x....(x2)
------------------------	-------------------------------

<b>x11</b> x....(x4)
-------------------------

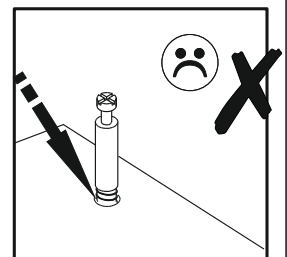
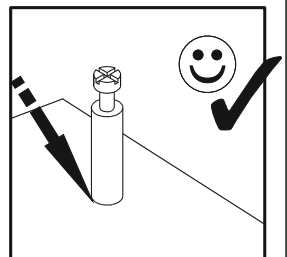
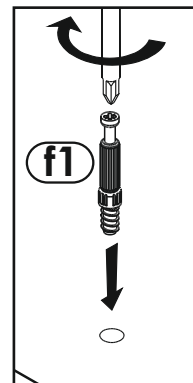
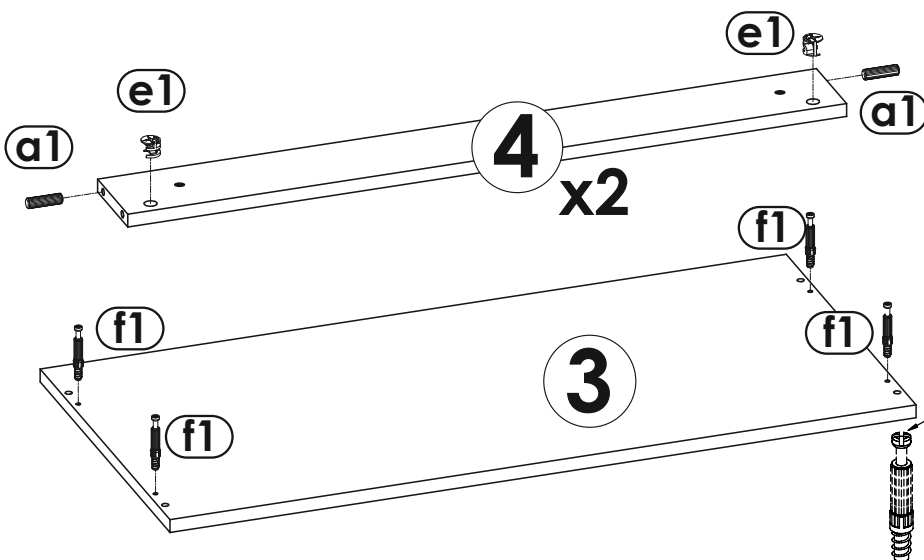
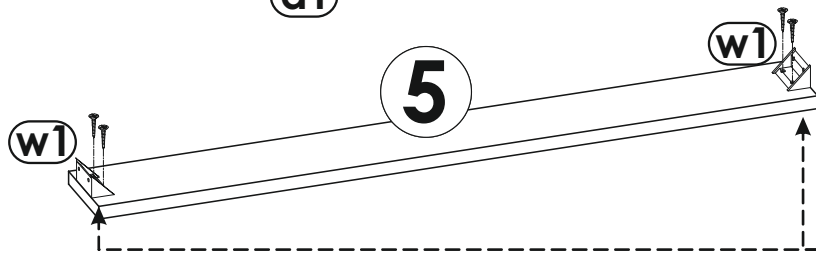
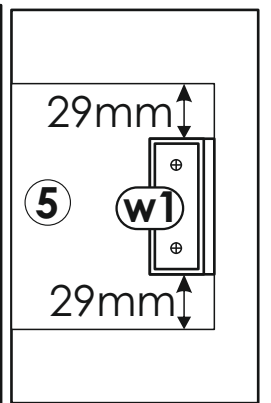
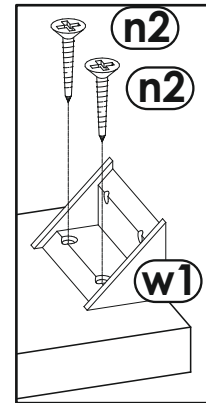
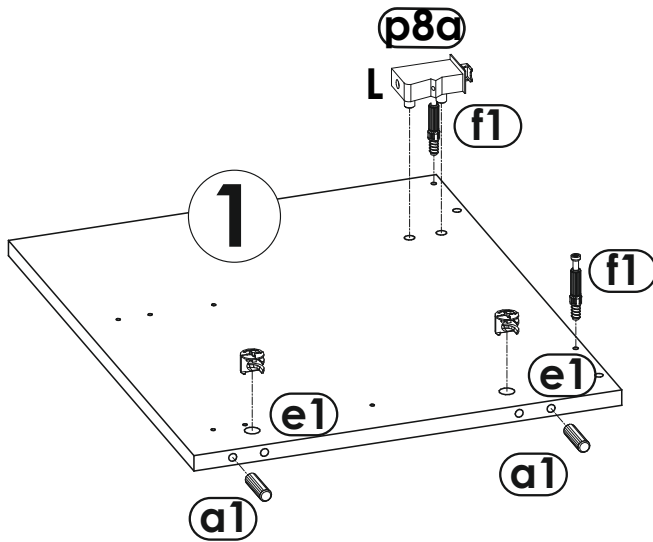
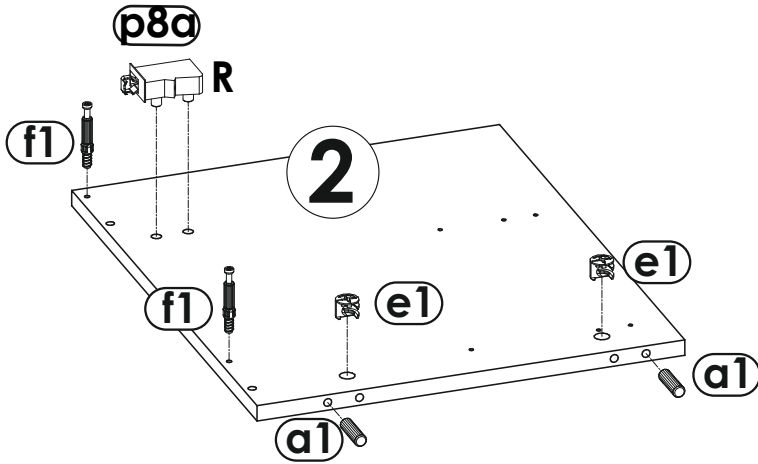
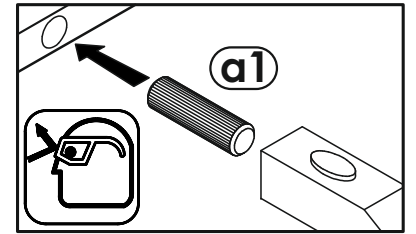
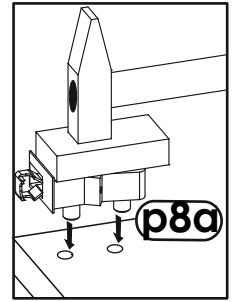
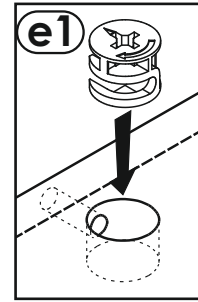
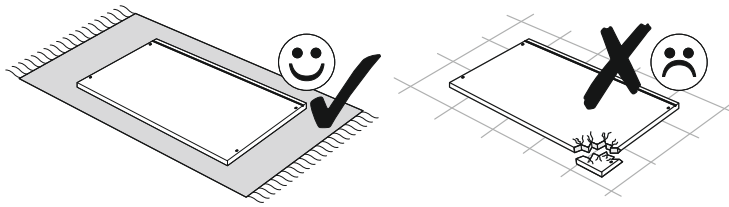
<b>x12</b> x....(x1)
-------------------------

<b>x13</b> x....(x2)
-------------------------

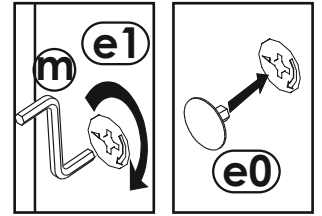
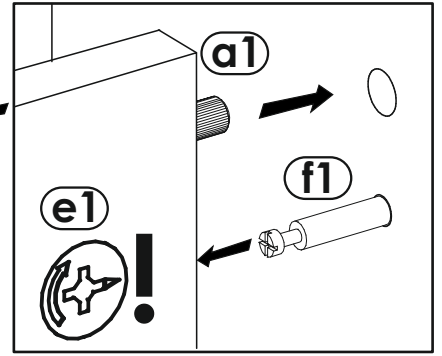
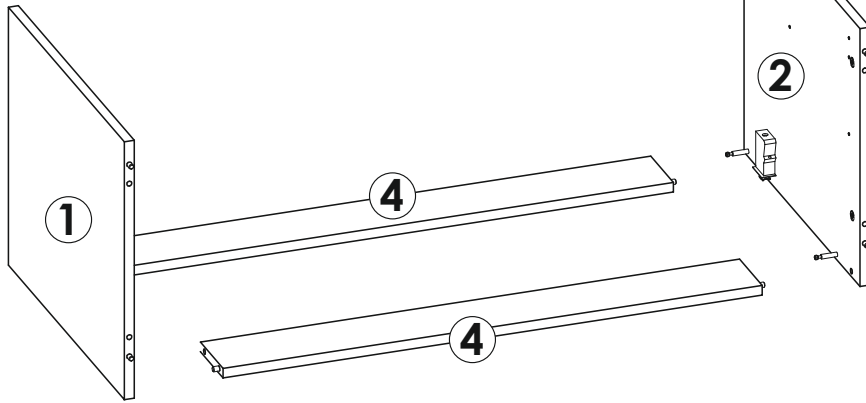
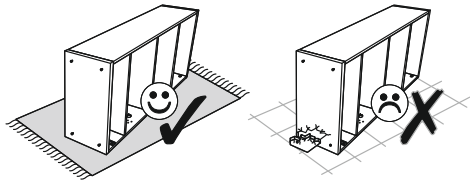
<b>y1</b> 5 cm x....(x8)
--------------------------------



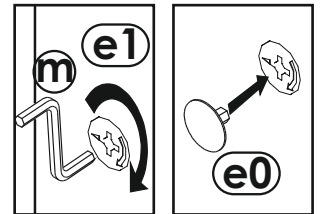
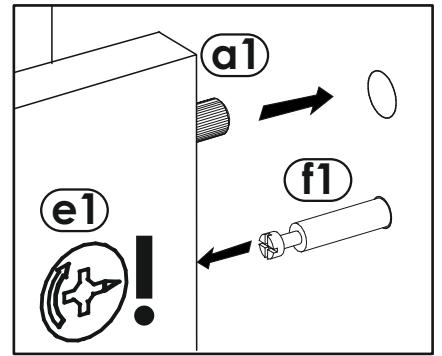
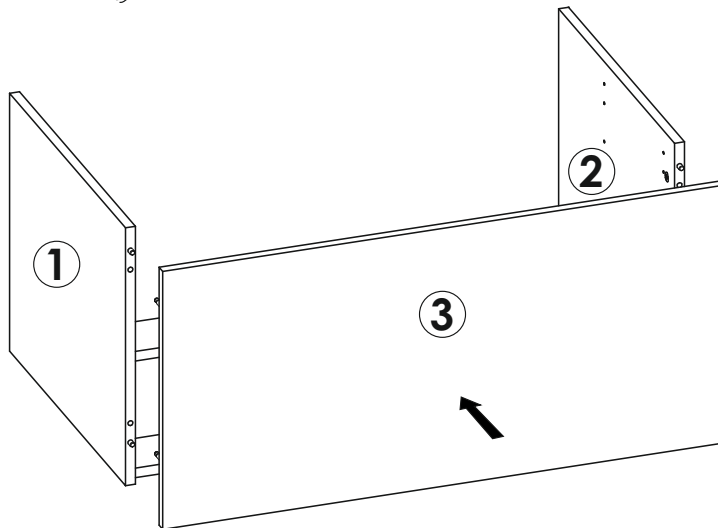
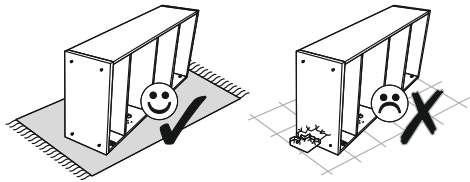
1



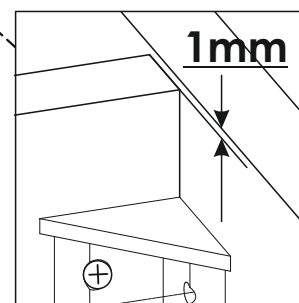
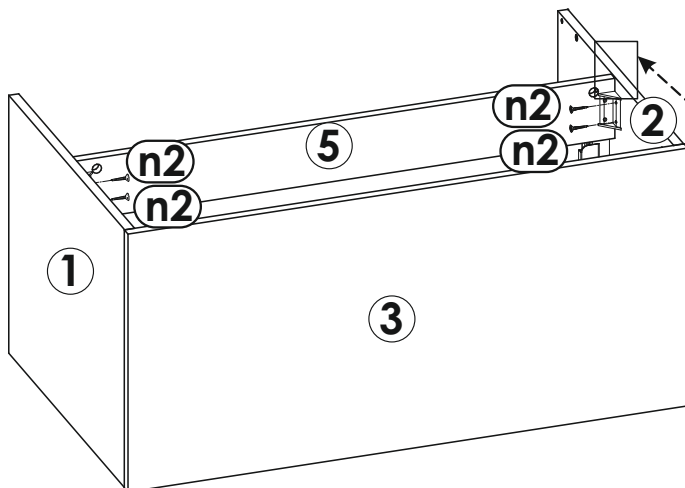
2



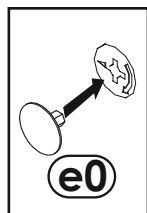
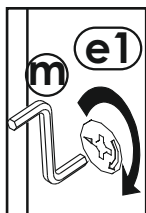
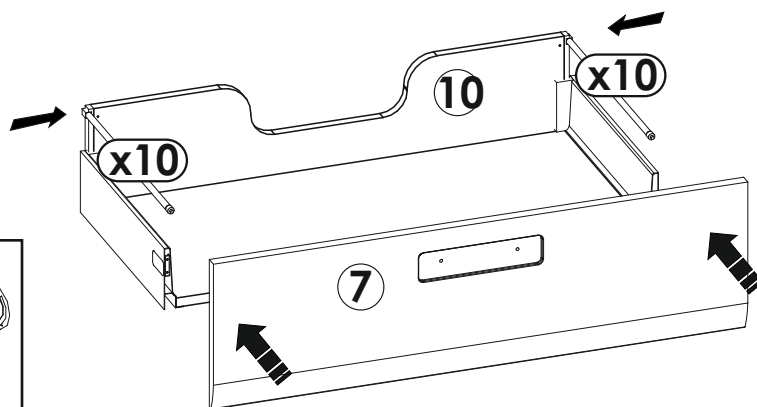
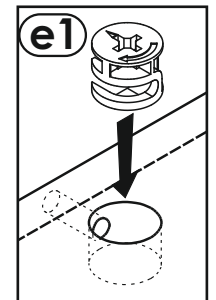
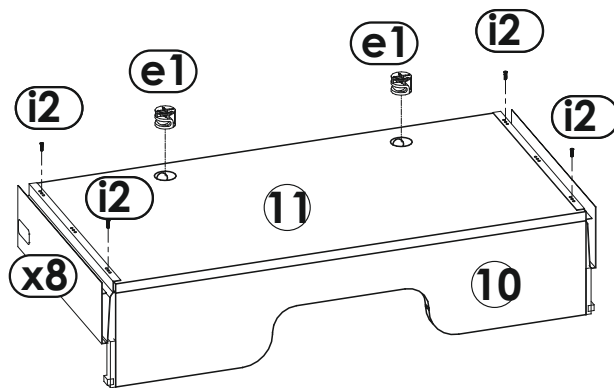
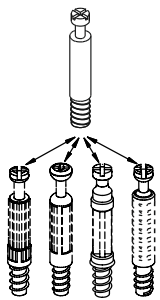
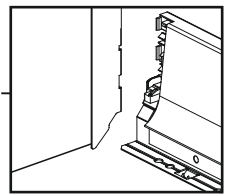
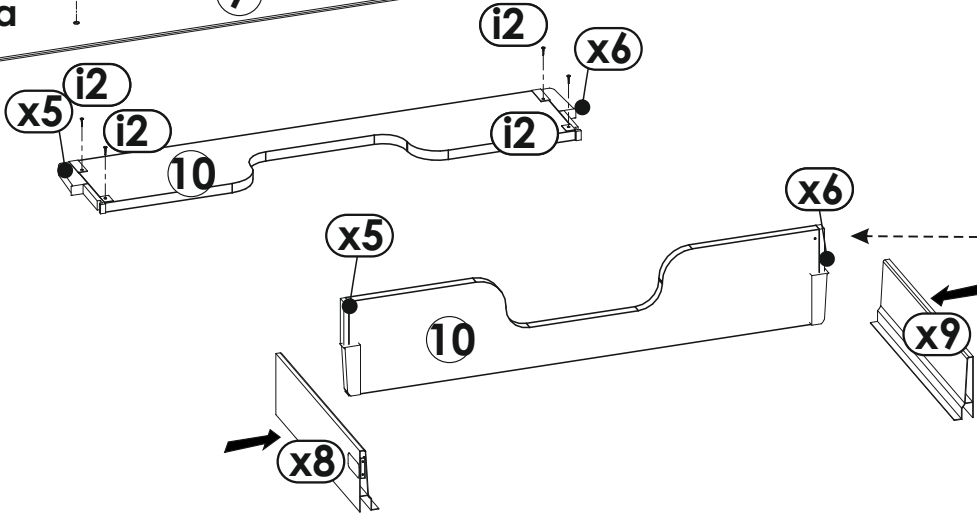
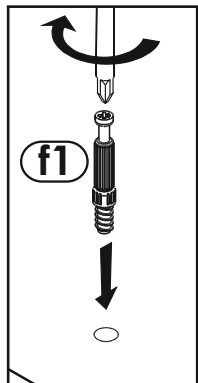
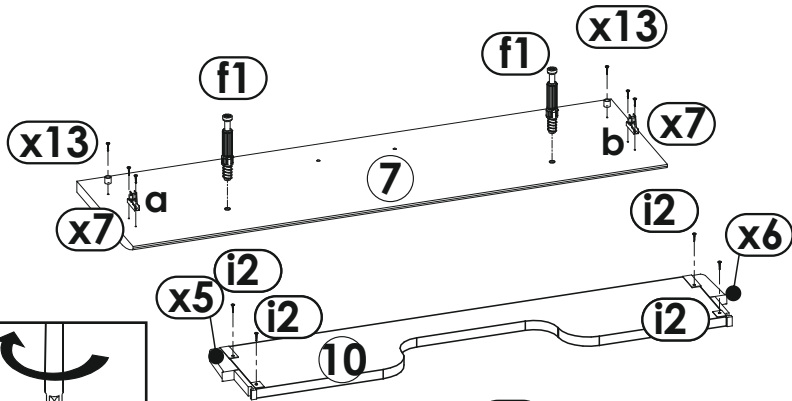
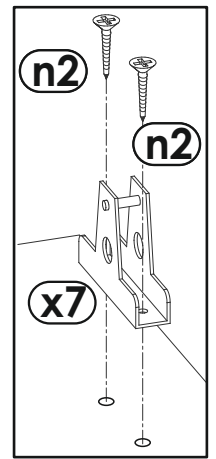
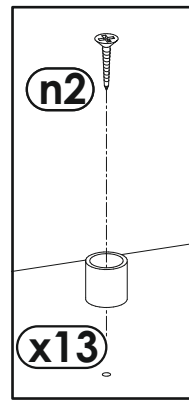
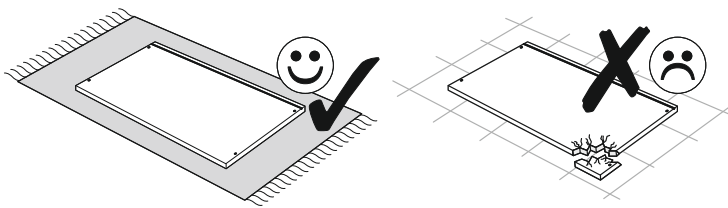
3



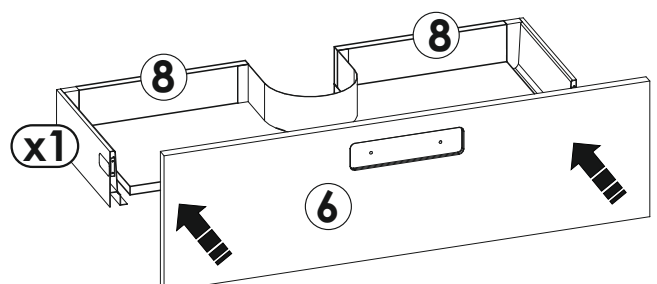
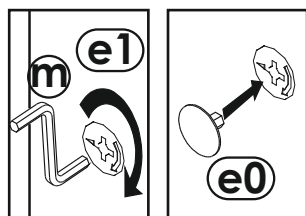
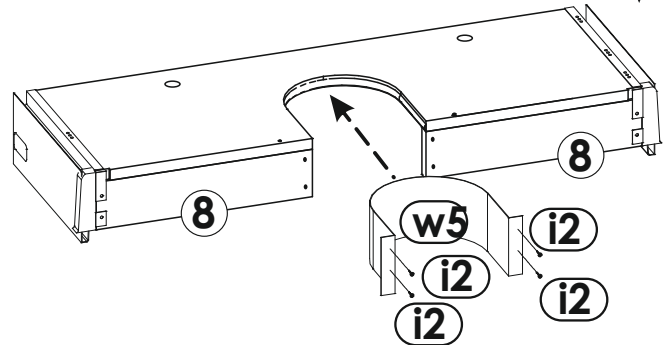
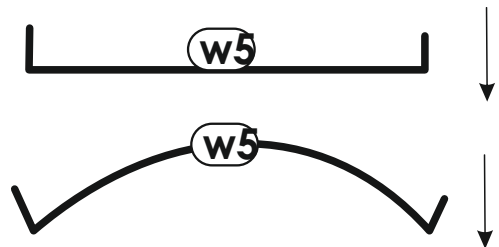
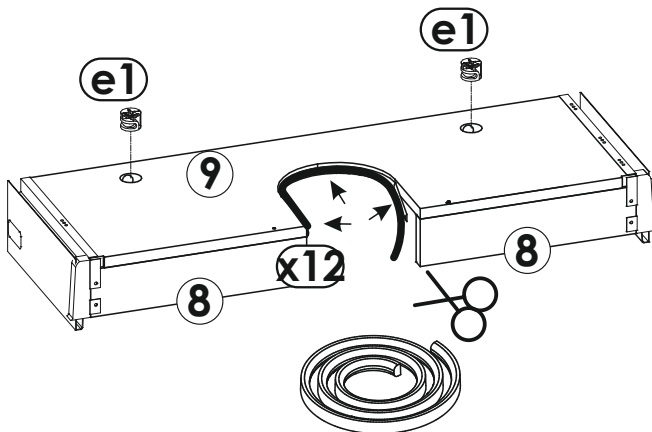
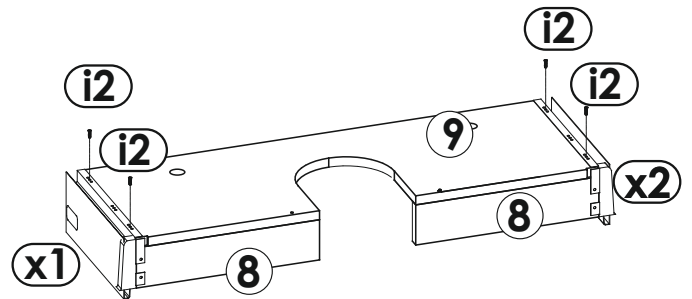
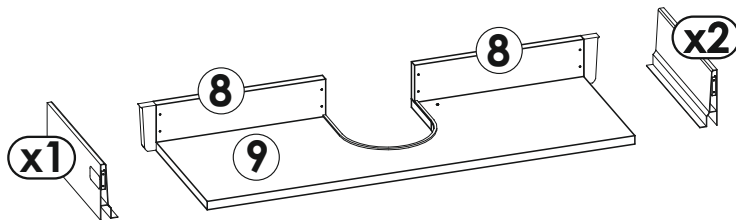
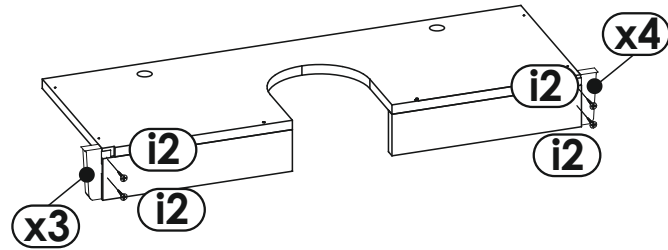
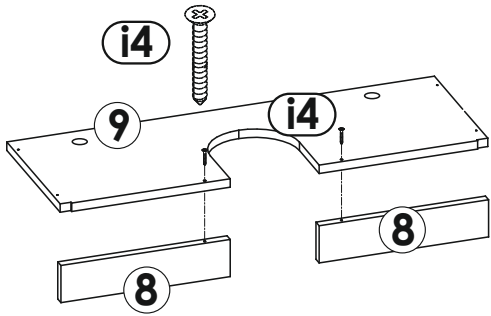
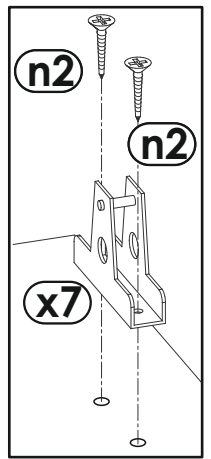
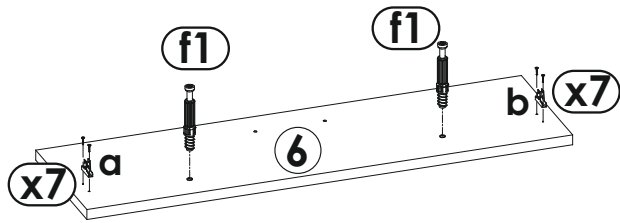
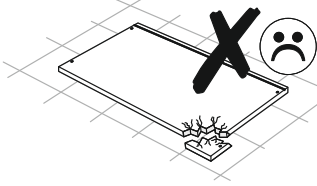
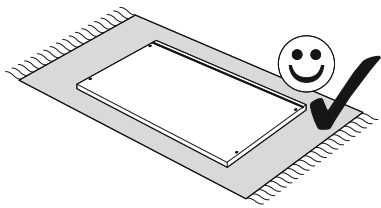
4



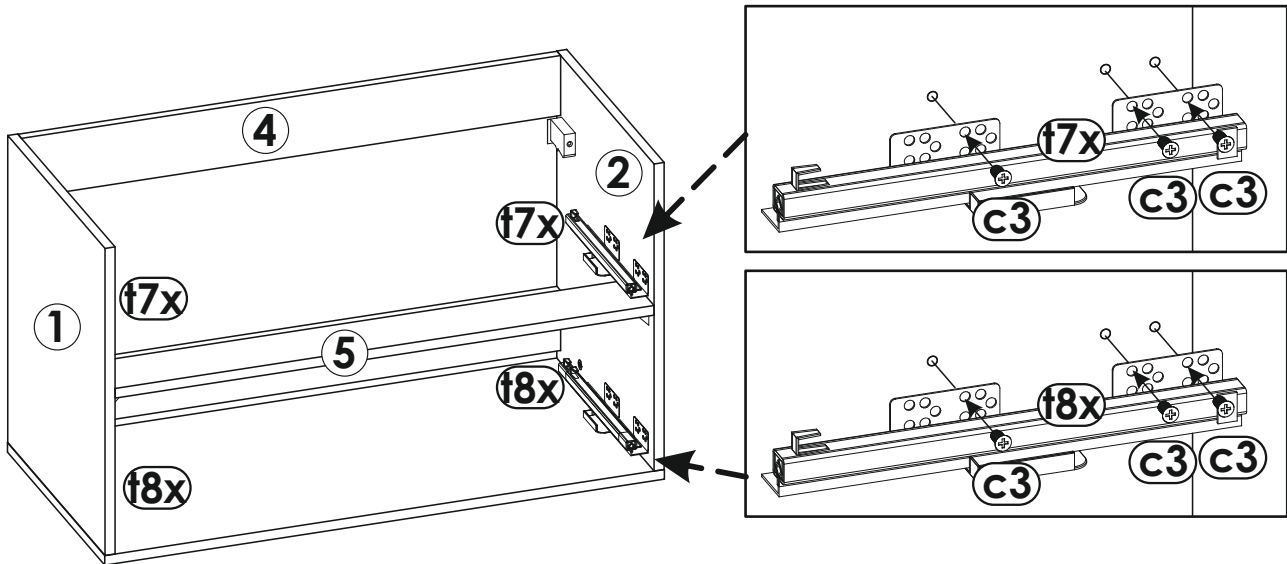
5



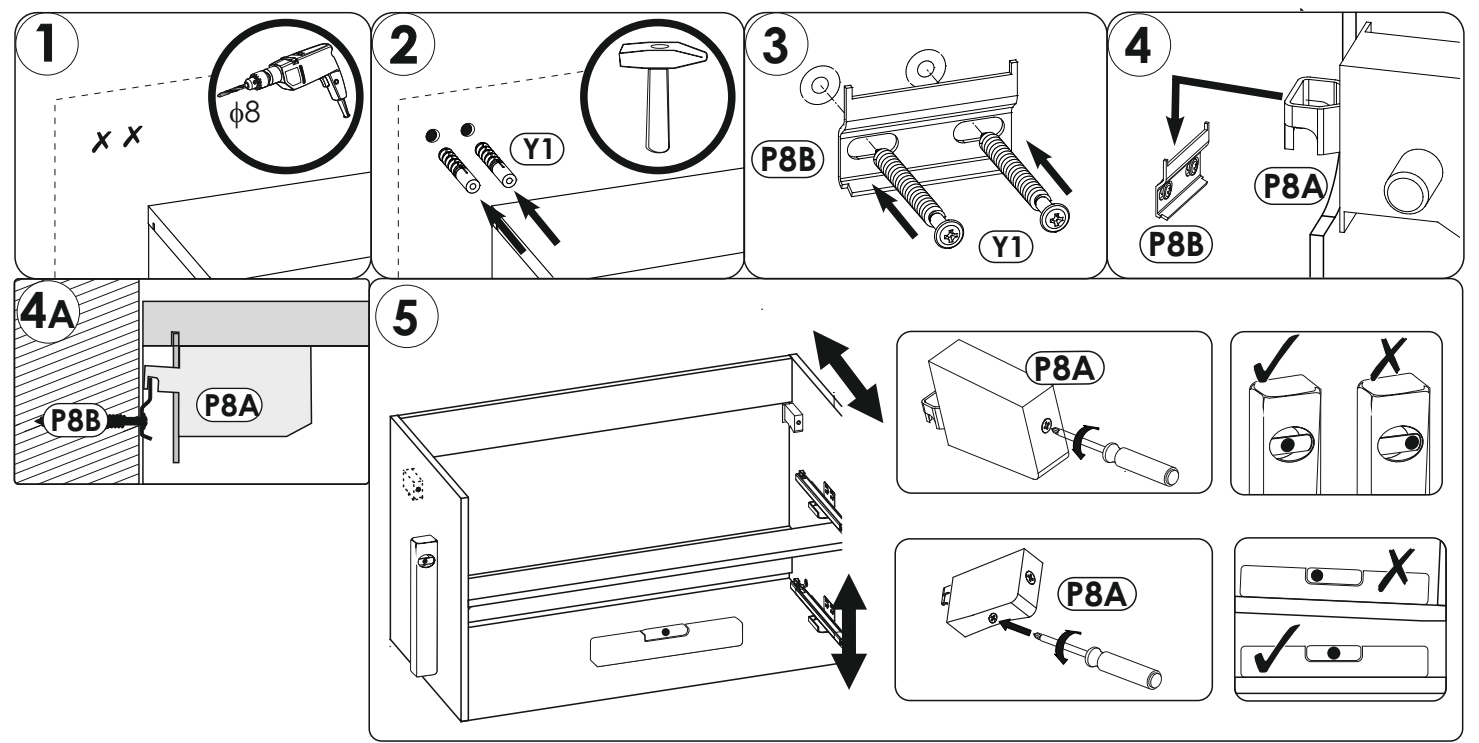
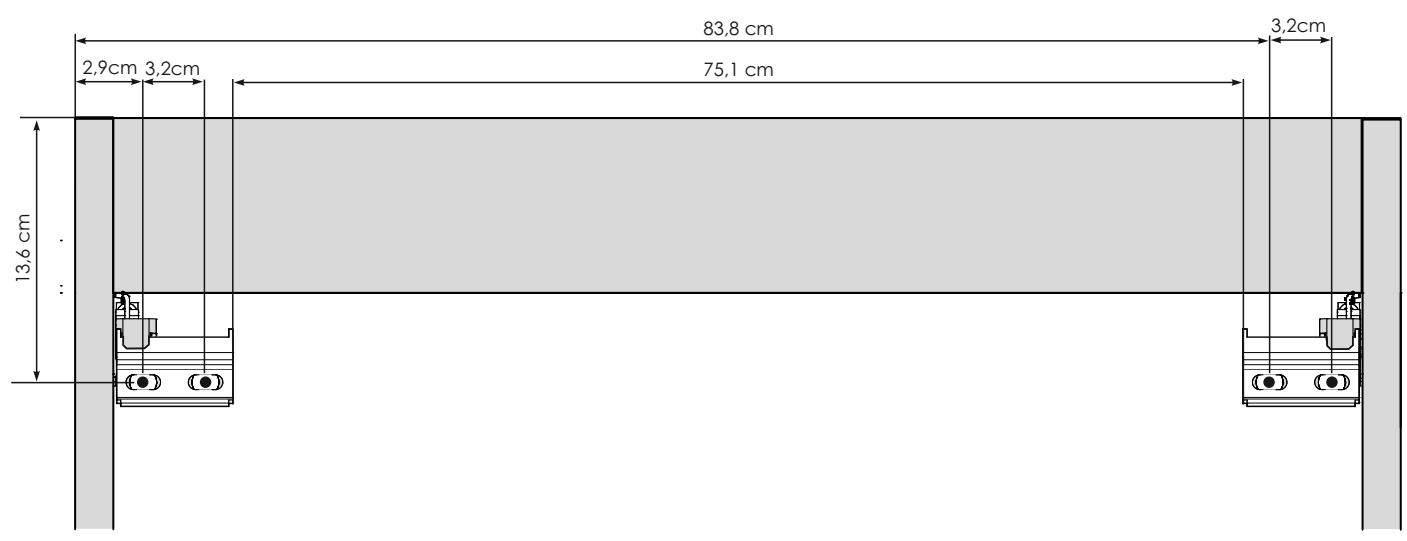
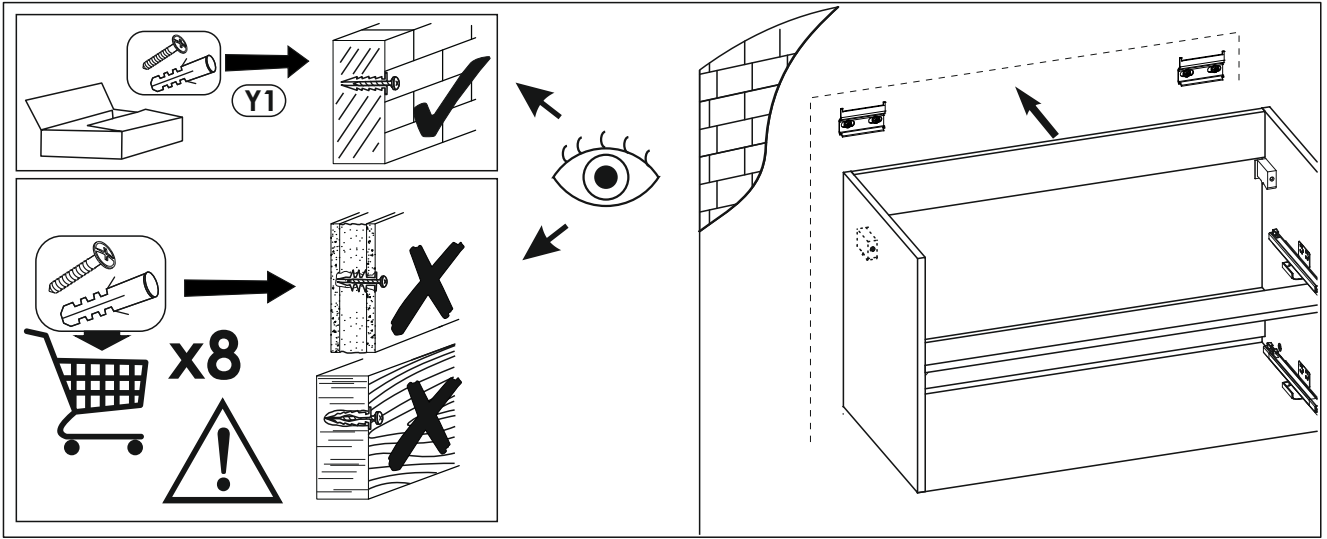
6



7  
▼

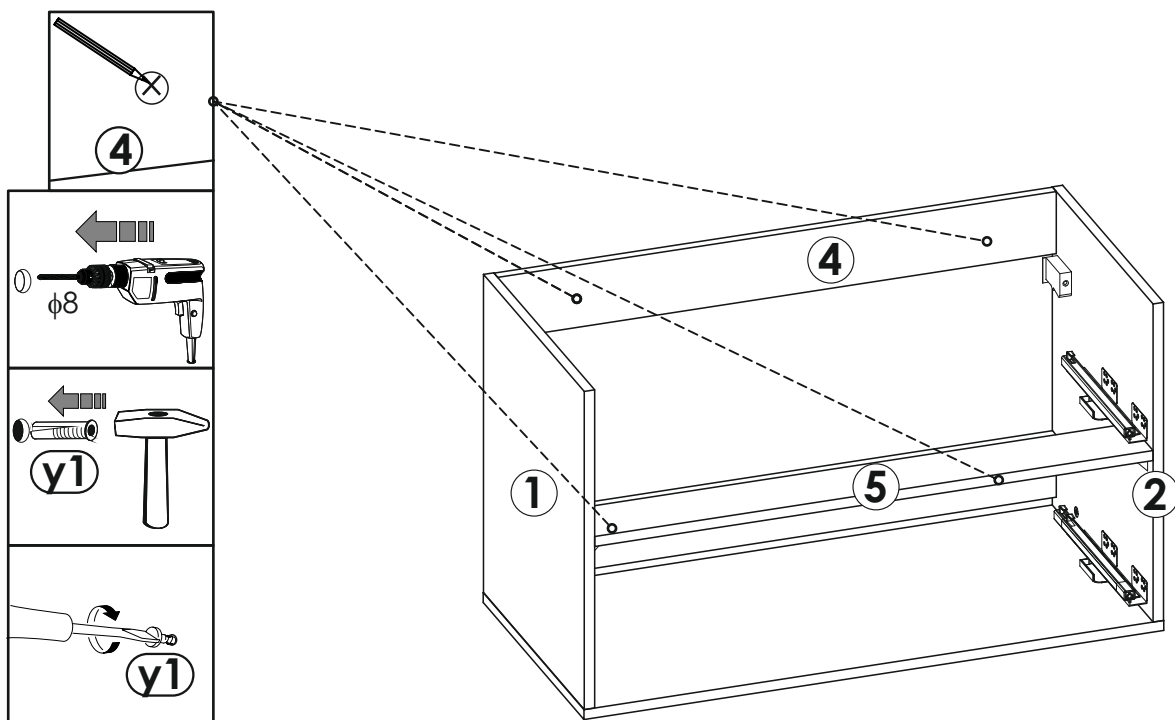


8





9  
▼



10  
▼

