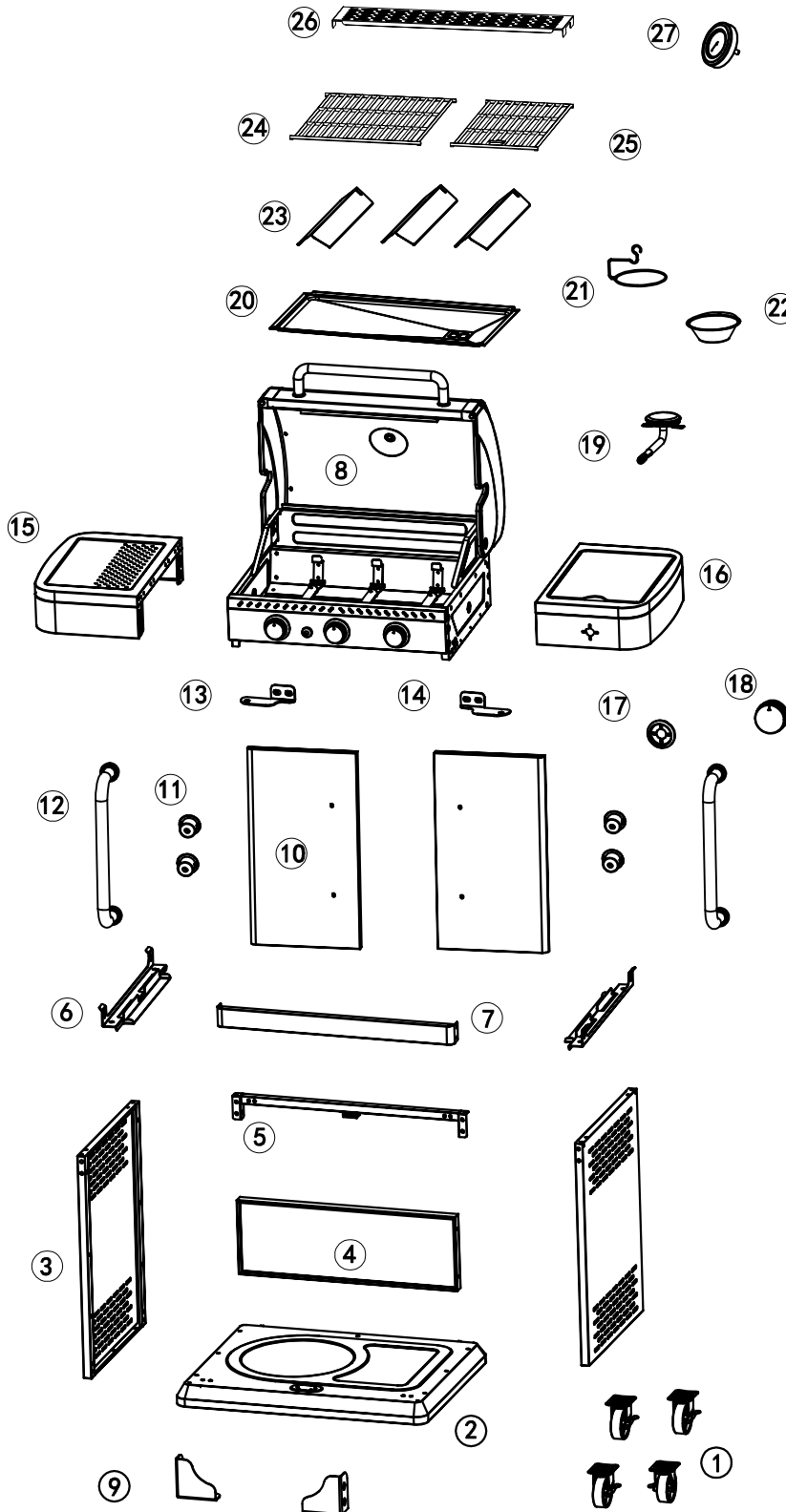
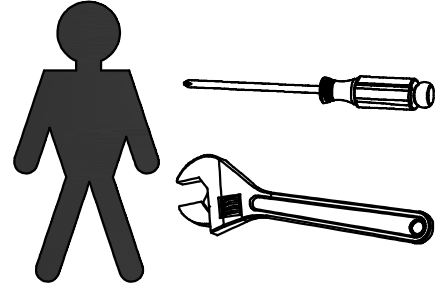
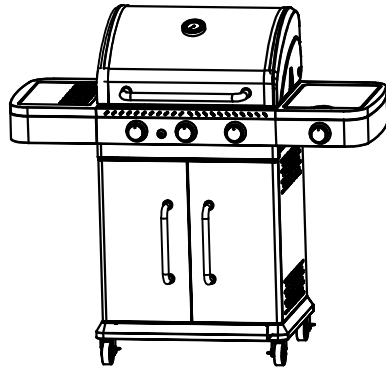
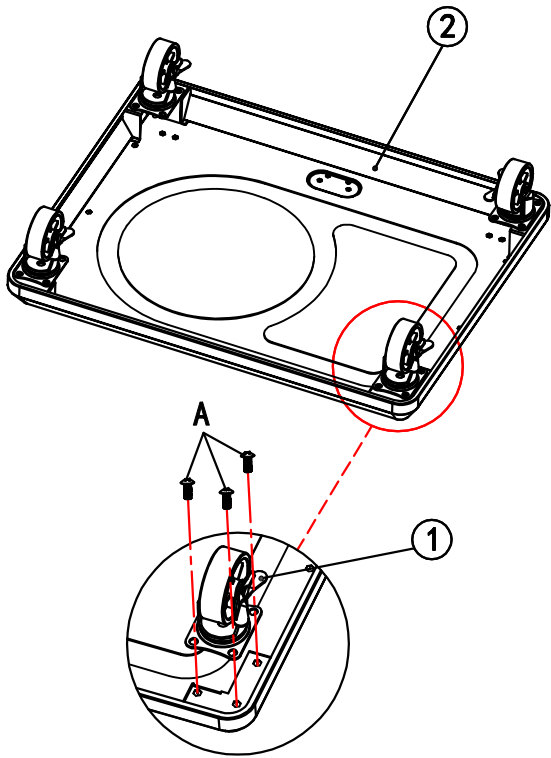


Landgraf GS3



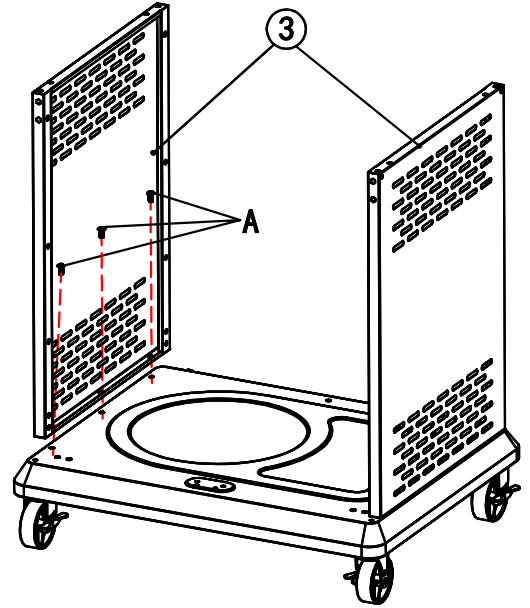
| | | |
|------------|------------|----------|
| ① *4 | ② *1 | ③ *2 |
| | | |
| ④ *1 | ⑤ *1 | ⑥ *2 |
| | | |
| ⑦ *1 | ⑧ *1 | ⑨ *2 |
| | | |
| ⑩ *2 | ⑪ *4 | ⑫ *2 |
| | | |
| ⑬ *1 | ⑭ *1 | ⑮ *1 |
| | | |
| ⑯ *1 | ⑰ *1 | ⑱ *1 |
| | | |
| ⑳ *1 | ㉑ *1 | ㉒ *1 |
| | | |
| ㉓ *1 | ㉔ *3 | ㉕ *1 |
| | | |
| ㉖ *1 | ㉗ *1 | ㉘ *1 |
| | | |
| A M5-10*54 | B M5-12*10 | C M4-8*6 |
| | | |
| D M6-12*4 | E *1 | F *4 |
| | | |
| G M4-8*4 | H M4-10*6 | I *1 |
| | | |

1



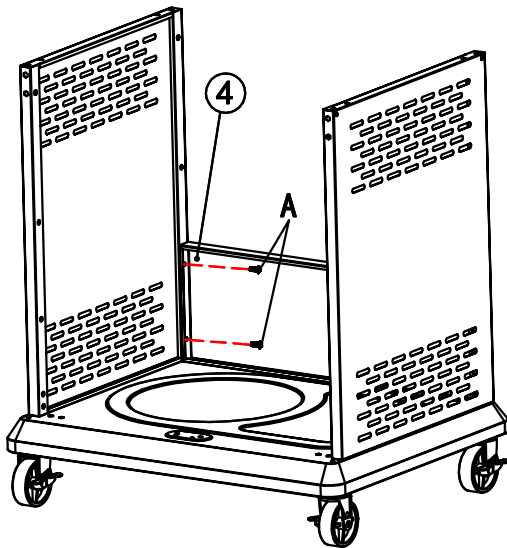
A  12PCS

2



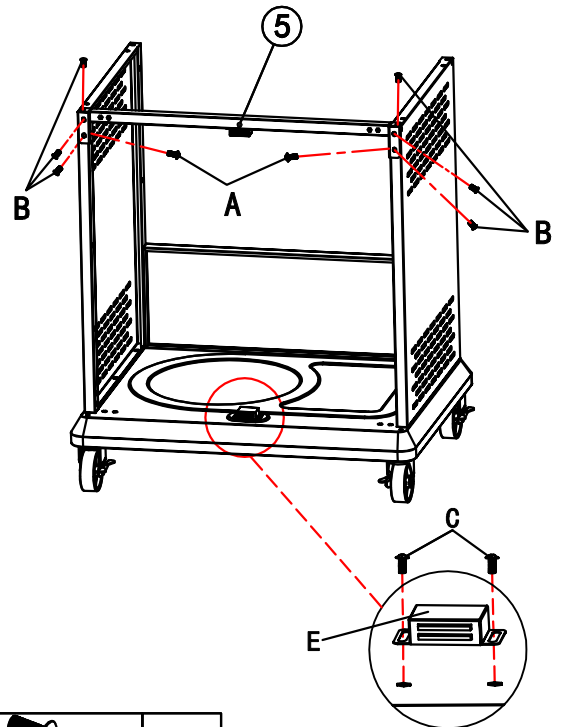
A  6PCS

3



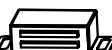
A  4PCS

4



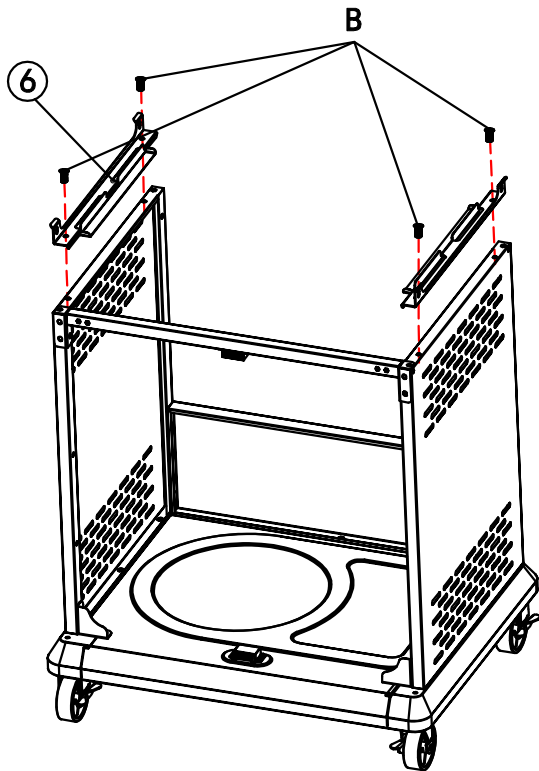
A  2PCS

C  2PCS

E  1PC

B  6PCS

5

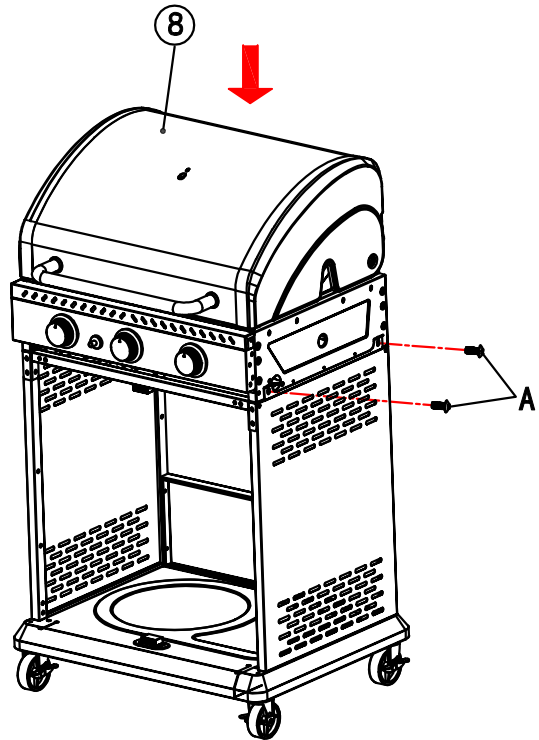


B



4PCS

6

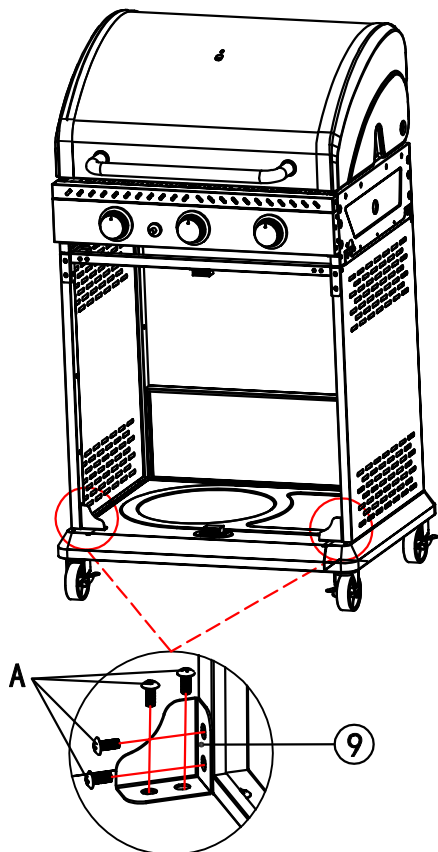


A



4PCS

7

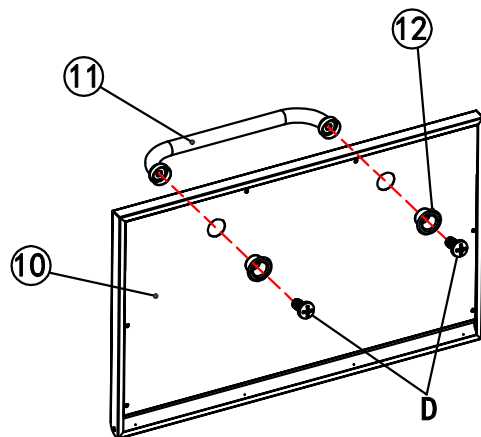


A



8PCS

8

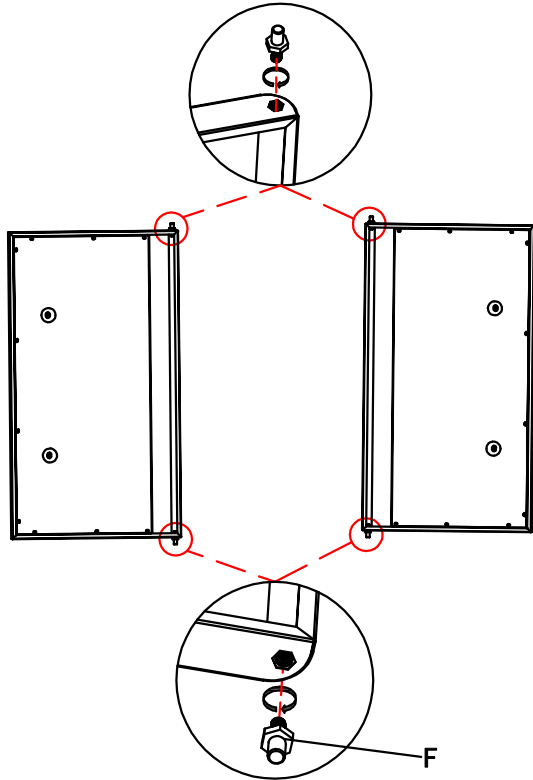


D



4PCS

9

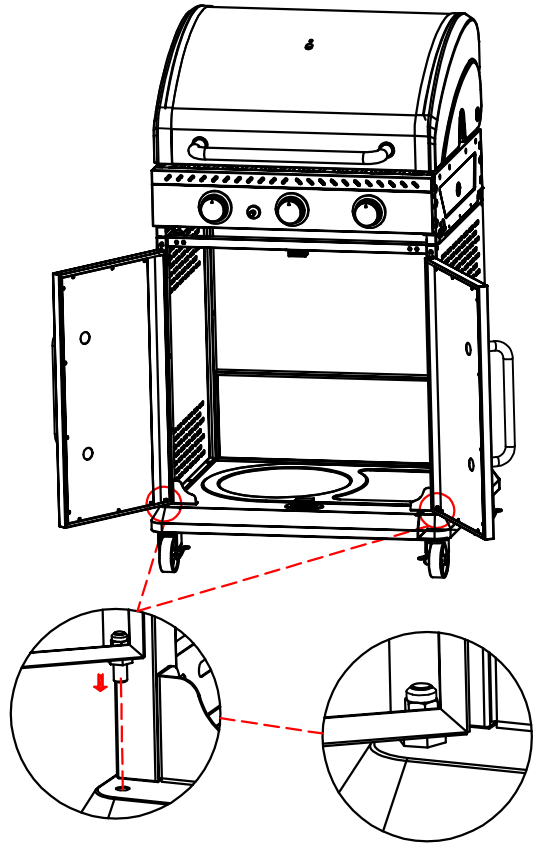


F

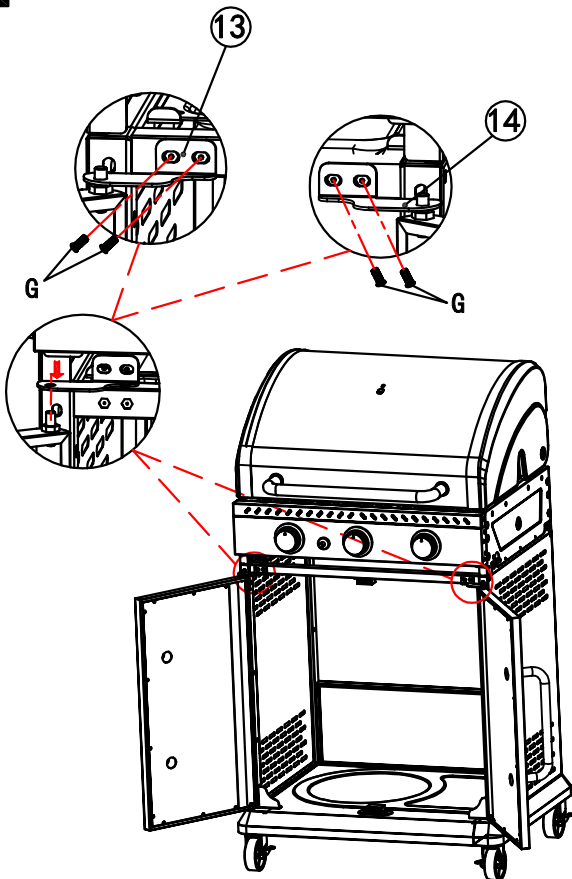


4PCS

10



11

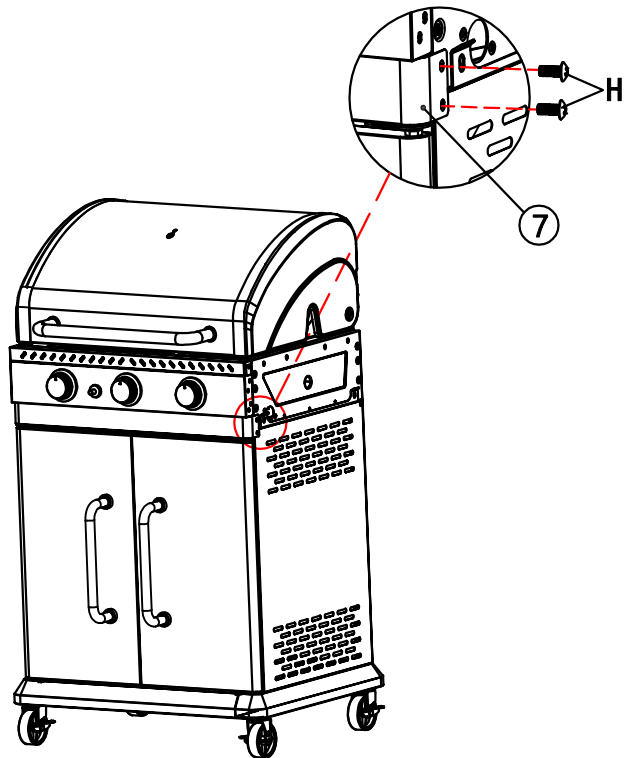


G



4PCS

12

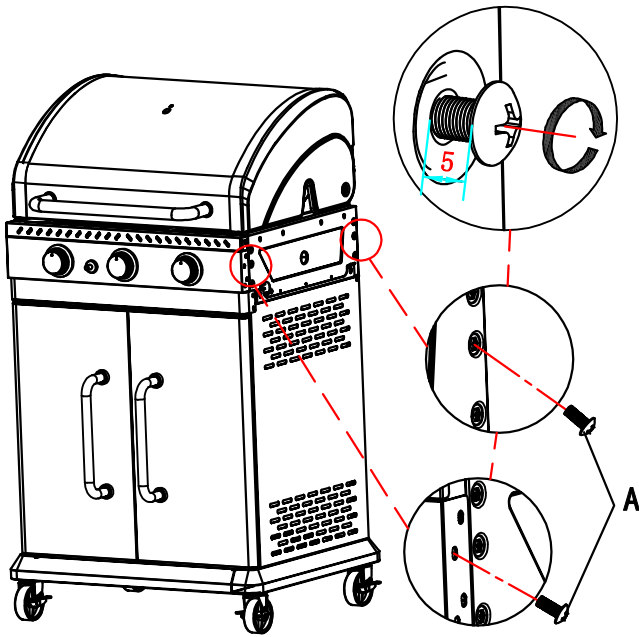


H



4PCS

13

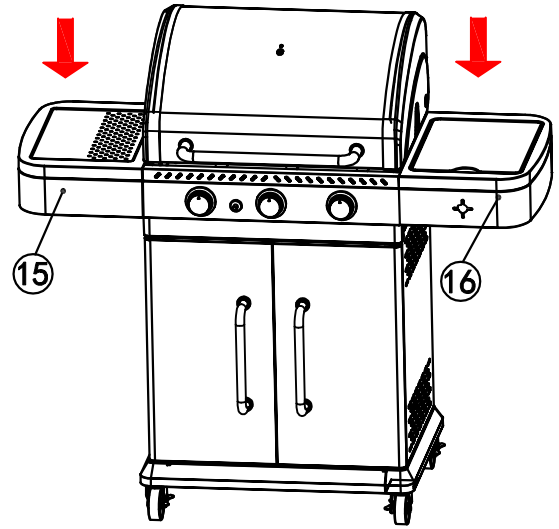


A

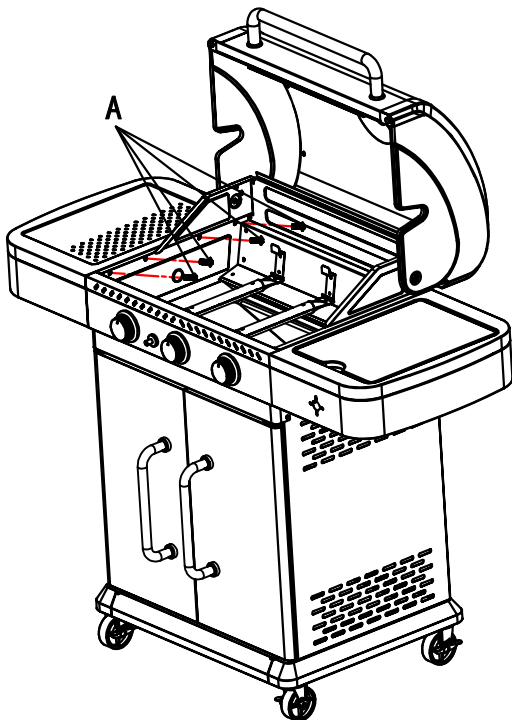


4PCS

14



15

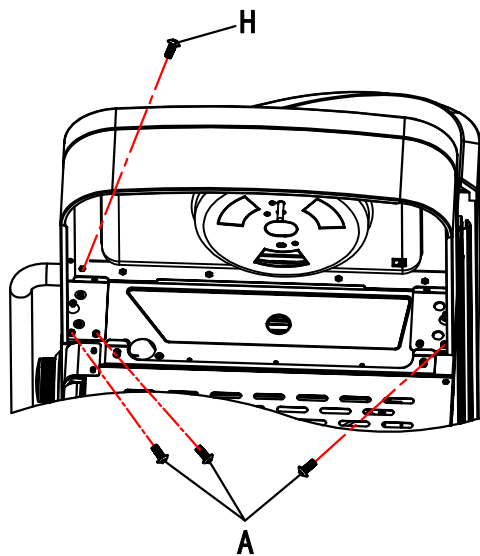


A



8PCS

16



A



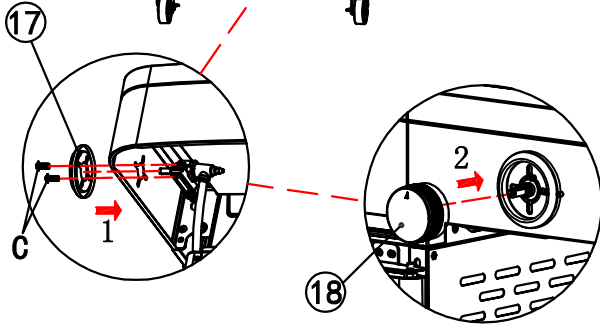
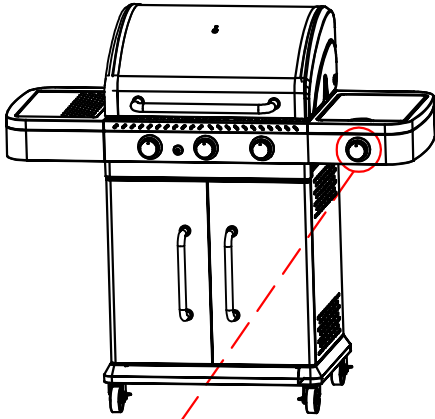
6PCS

H



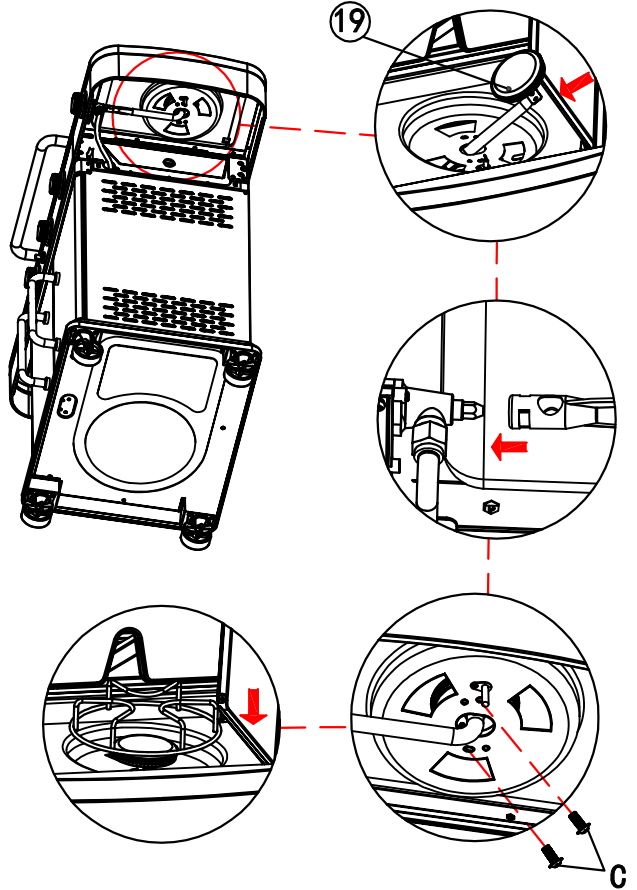
2PCS

17



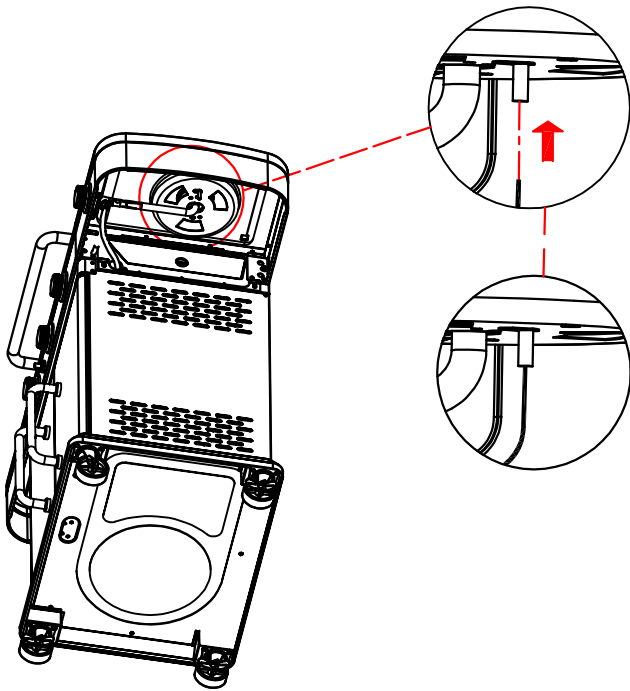
C   2PCS

18

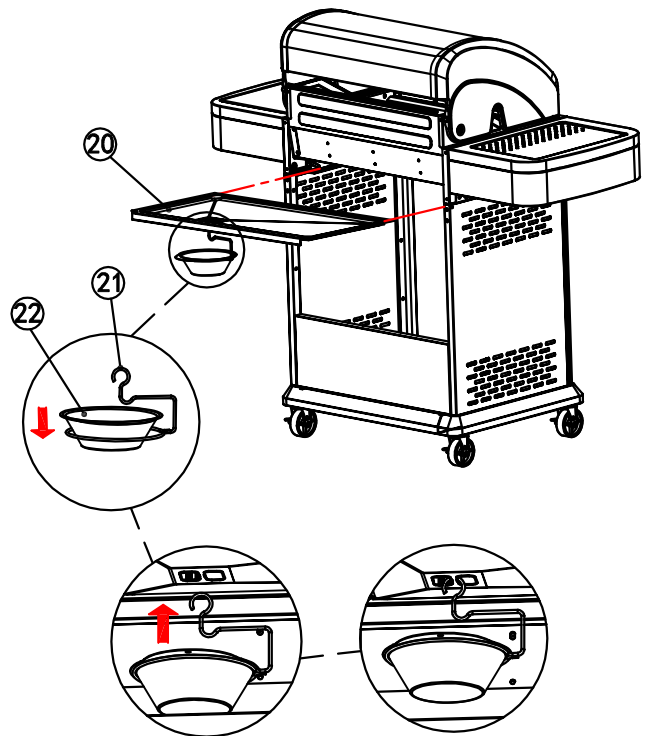


C   2PCS

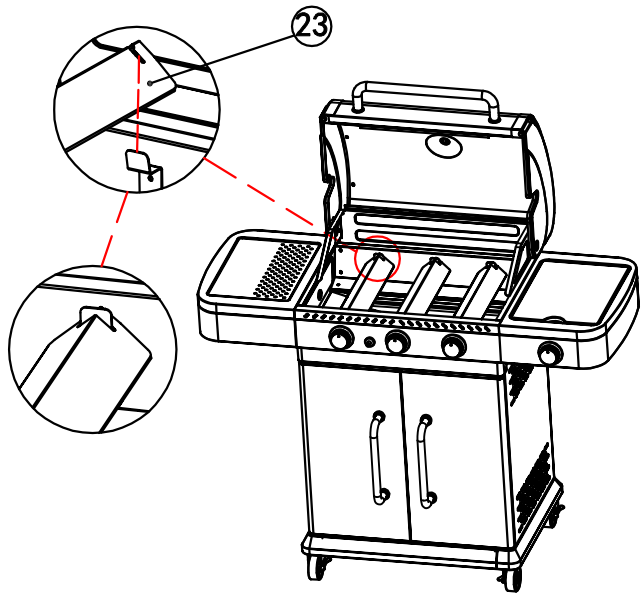
19



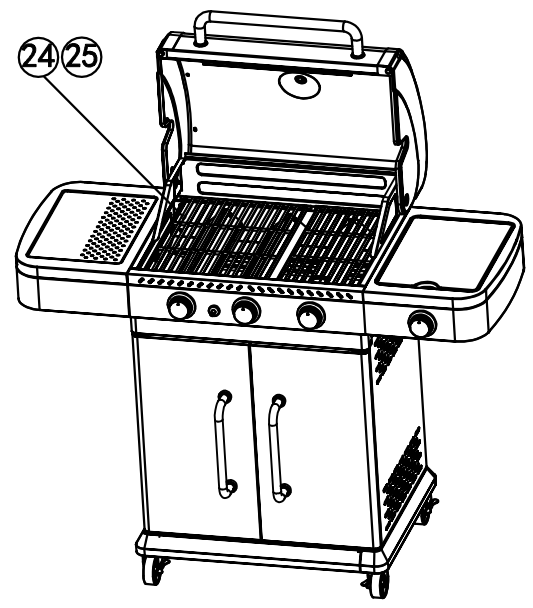
20



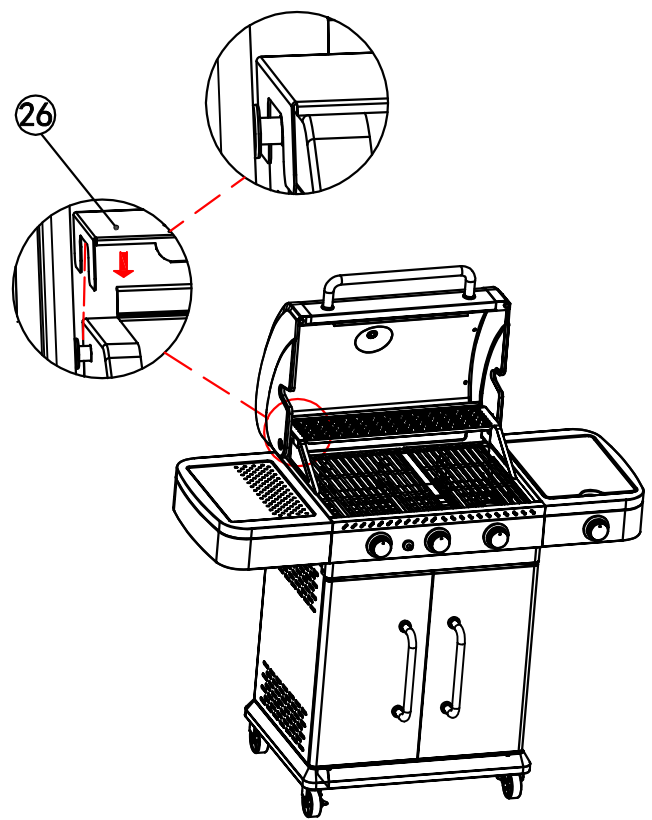
21



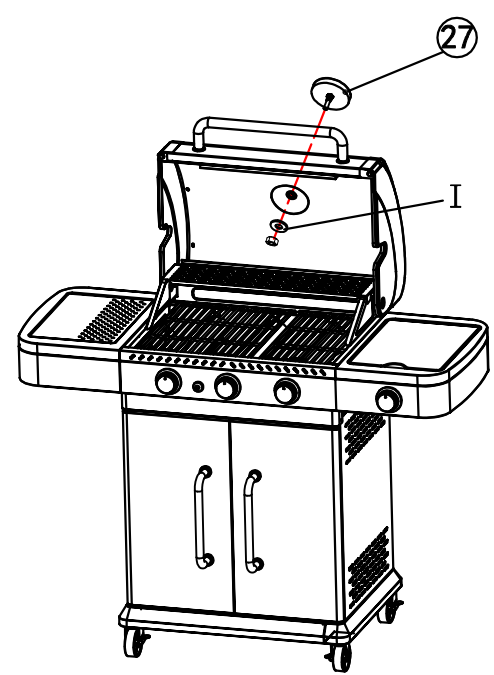
22



23



24



| | | |
|---|--|-----|
| I | | 1PC |
|---|--|-----|

