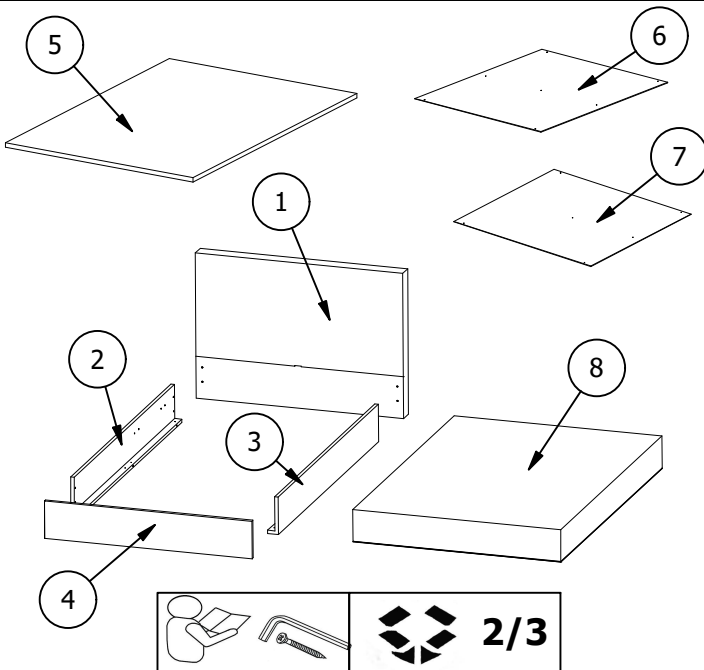
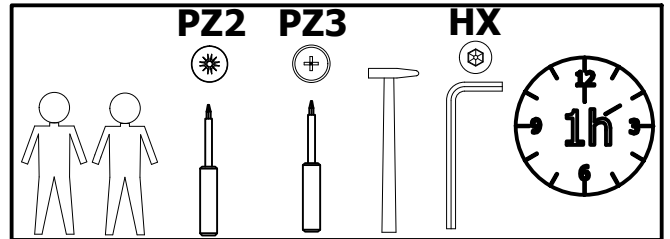
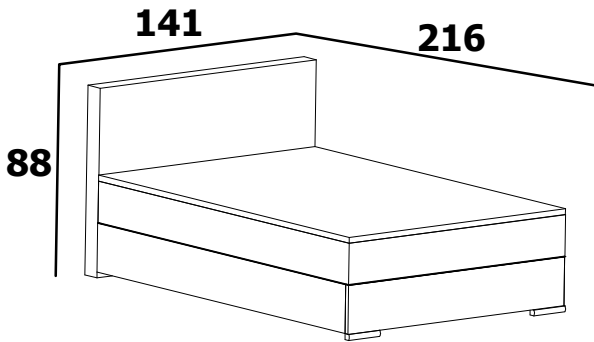


**ASSEMBLY INSTRUCTIONS  
NOTICE DE MONTAGE  
MONTAGEA NTEILUNG  
IS TRUZIONI DI  
MONTAGGIO  
MANUAL DE MONTAJE  
IS TRUCOES DE MONTAGEM  
UPUTE ZA MONTAŽU  
KURULUM TALIMA TLAN**

# COSI 140x200

Version: 16-10-2025



| LP |      |      |     | PCS |     |
|----|------|------|-----|-----|-----|
| 1  | 1410 | 880  | 100 | x1  | 1/3 |
| 2  | 2000 | 250  | 71  | x1  | 2/3 |
| 3  | 2000 | 250  | 71  | x1  | 2/3 |
| 4  | 1390 | 250  | 23  | x1  | 2/3 |
| 5  | 2000 | 1400 | 30  | x1  | 2/3 |
| 6  | 1342 | 1000 | 3,2 | x1  | 1/3 |
| 7  | 1342 | 1000 | 3,2 | x1  | 1/3 |
| 8  | 2000 | 1400 | 190 | x1  | 3/3 |

BEFORE  
READ THE ATTACHED  
ASSEMBLY  
INSTRUCTIONS

AVANT DE COMMENCER, SE  
REPORTER AUX CONSEILS  
DE MONTAGE EN ANNEXE

AVANTI DI COMMINCIARE  
RIPORTATE AGLI CONSIGLI DI  
MONTAGGIO

VOR DIE MONTAGE, BITTE  
BEILIEGENDE ANWEISUNGEN  
FOLGEN

ANTES DE EMPEZAR  
CONSULTE LOS CONSEJOS  
PARA EL MONTAJE

ANTES DE COMERCAR, ADIARSE  
A OS CONSELHOS DE  
MONTAGEM EM ANEXO

PRIJE POČETKA MONTAJE  
MOLIMO PAZLJIVO UPUTE  
ZA MONTAŽU

MONTAJ TALIMATLARI TESLIM  
ÖNCE OKUYUN LÜTFEN

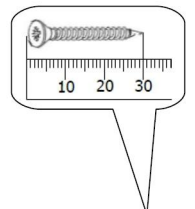
OSTRZEŽENIE: Dostępne kable, przewody elektryczne, sznury, wstążki itp. stanowią zagrożenie uduszeniem dla małych dzieci. Dostępne elementy tego rodzaju powinny zawsze znajdować się poza zasięgiem małych dzieci

WARNING: Die zugänglichen Kabel, elektrische Leitungen, Schnüre, Schleifen usw. stellen das Erdrüsselungsrisiko bei Kindern dar. Die zugänglichen Elemente solcher Art sollen immer außer der Reichweite von Kindern sein.

WARNING: Accessible cables, electrical wires, cords, strings, ribbons... present a risk of strangulation for the young children. These accessible elements should always be kept out of reach of young children.

ATTENTION: les cables, fils électriques, cordes, ficelles, rubans ... accessibles présentent un risque d'étranglement pour les jeunes enfants. Ces éléments accessibles doivent toujours être tenus hors de portée des jeunes enfants

|                       |                        |                      |                        |
|-----------------------|------------------------|----------------------|------------------------|
| A x4<br><br>US 5x40   | A1 x24<br><br>WP M6x25 | A2 x1<br><br>US 5x70 | A3 x2<br>              |
| A4 x1<br>             | A5 x1<br>              | A6 x4<br>            | A7 x2<br>              |
| A8 x13<br><br>UP 5x20 | A9 x4<br>              | A10 x1<br>           | A11 x4<br><br>OI M6x45 |
| E x2<br>              | E1 x5<br>              | EP x4<br>            | EP1 x5<br>             |
|                       |                        |                      | A12 x1<br>             |
|                       |                        |                      | A13 x2<br><br>US 5x30  |



1

PZ3

+



A1 x4

x

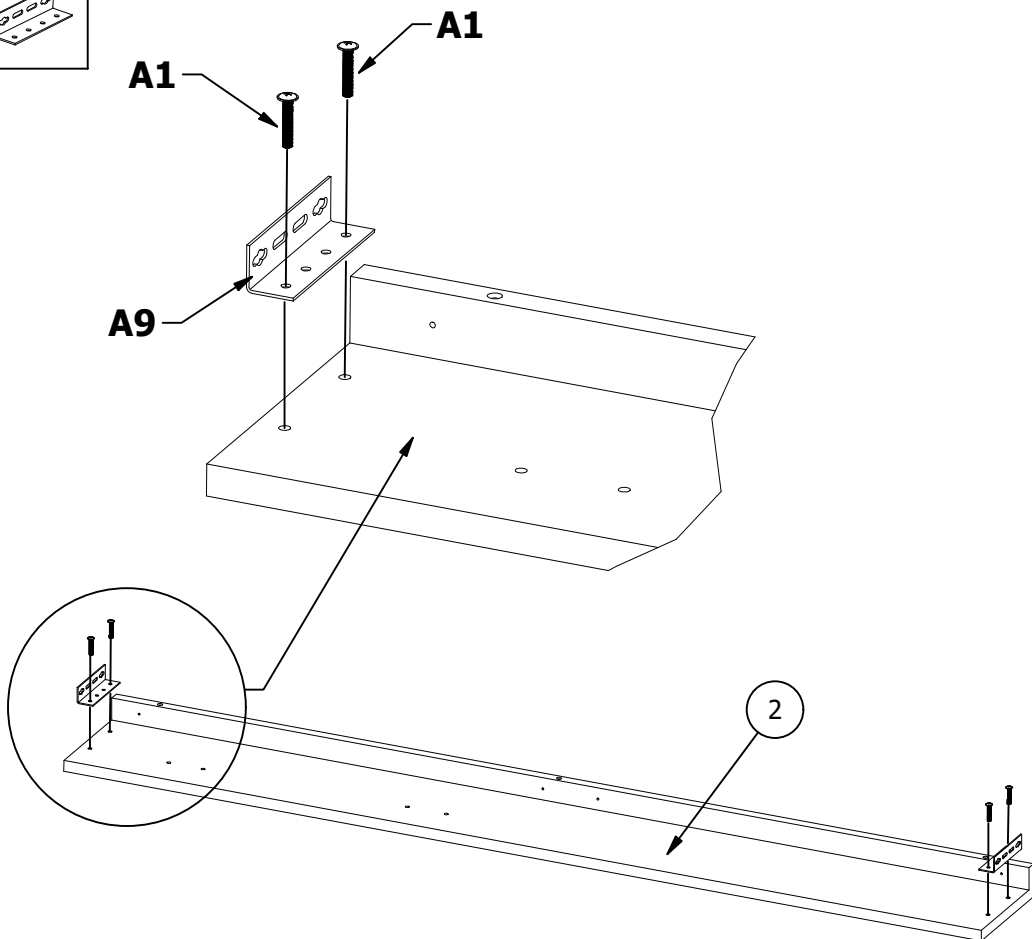


A9 x2

x



WP M6x25



2

PZ3

+



A1 x4

x

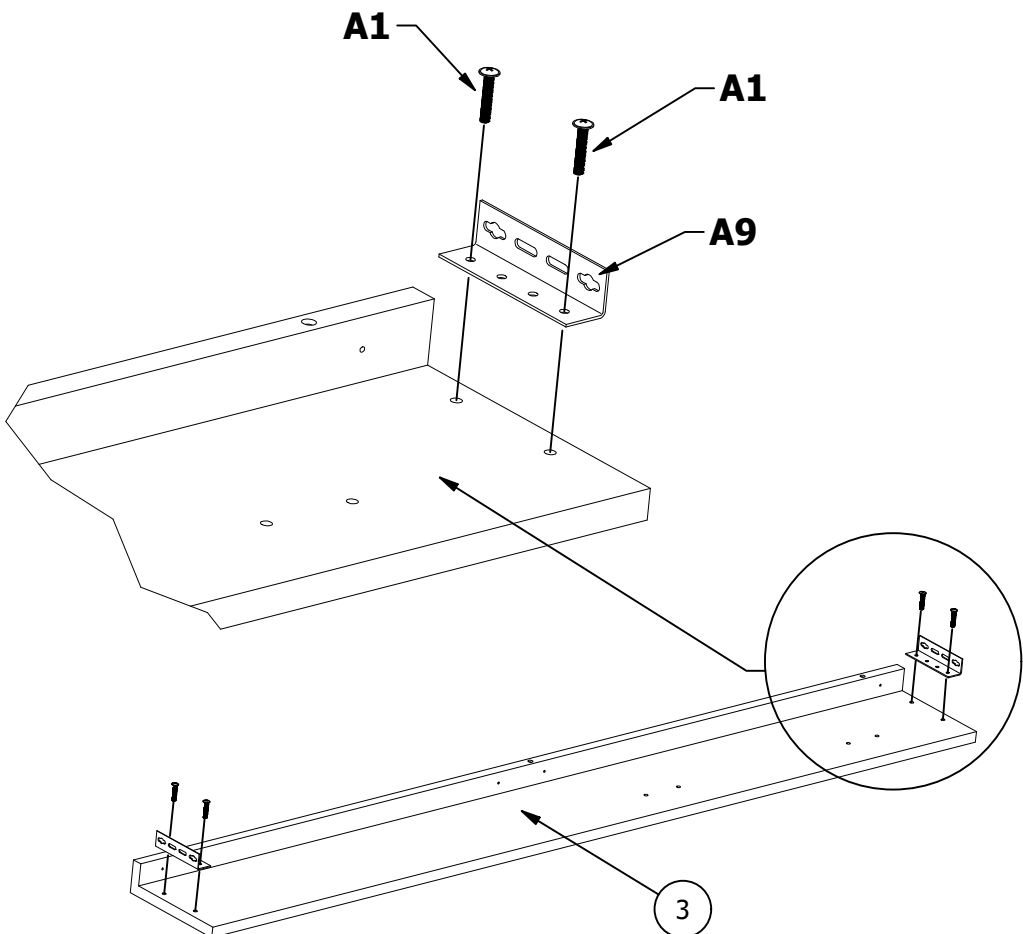


A9 x2

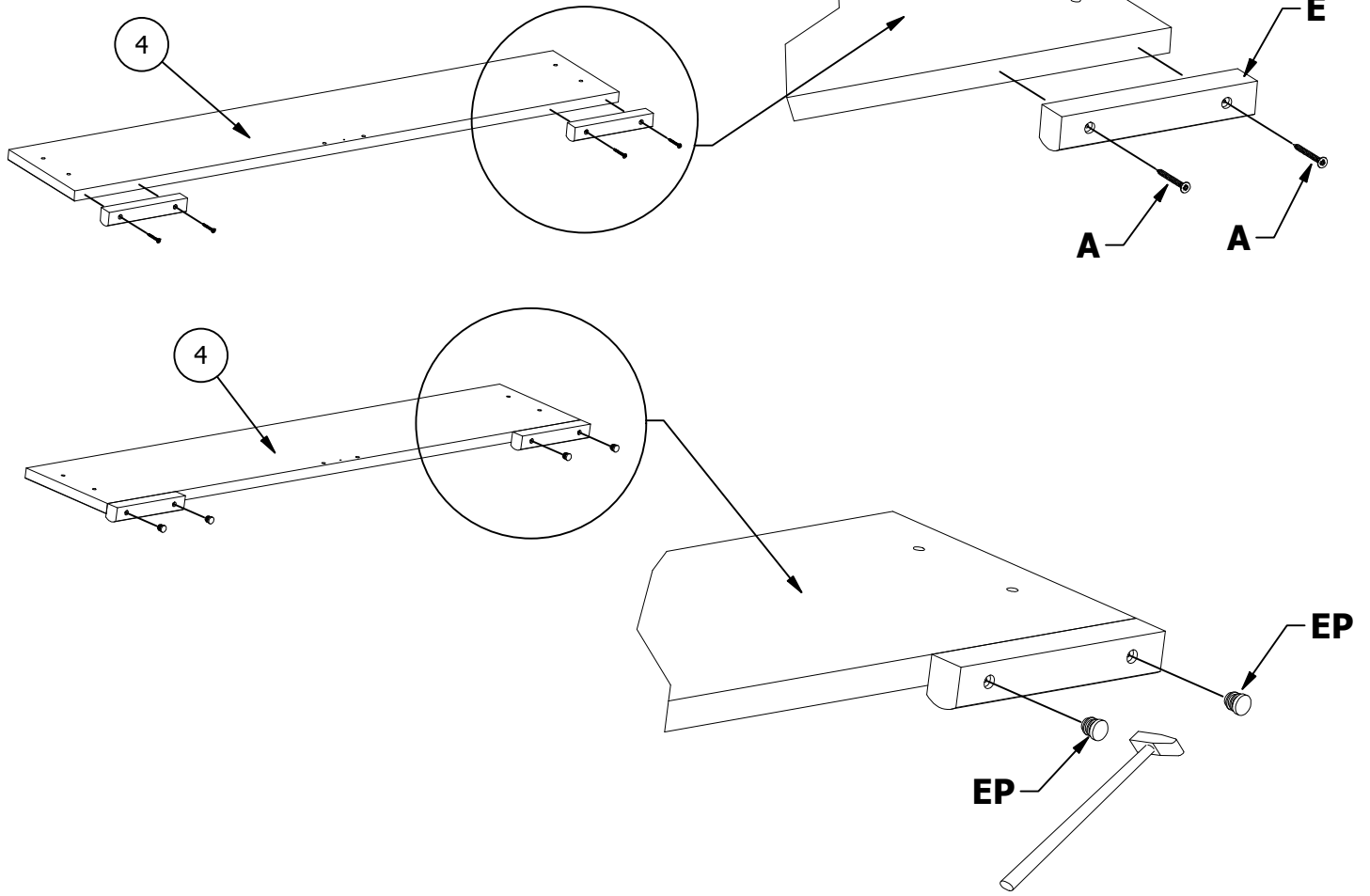
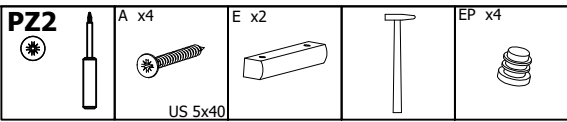
x



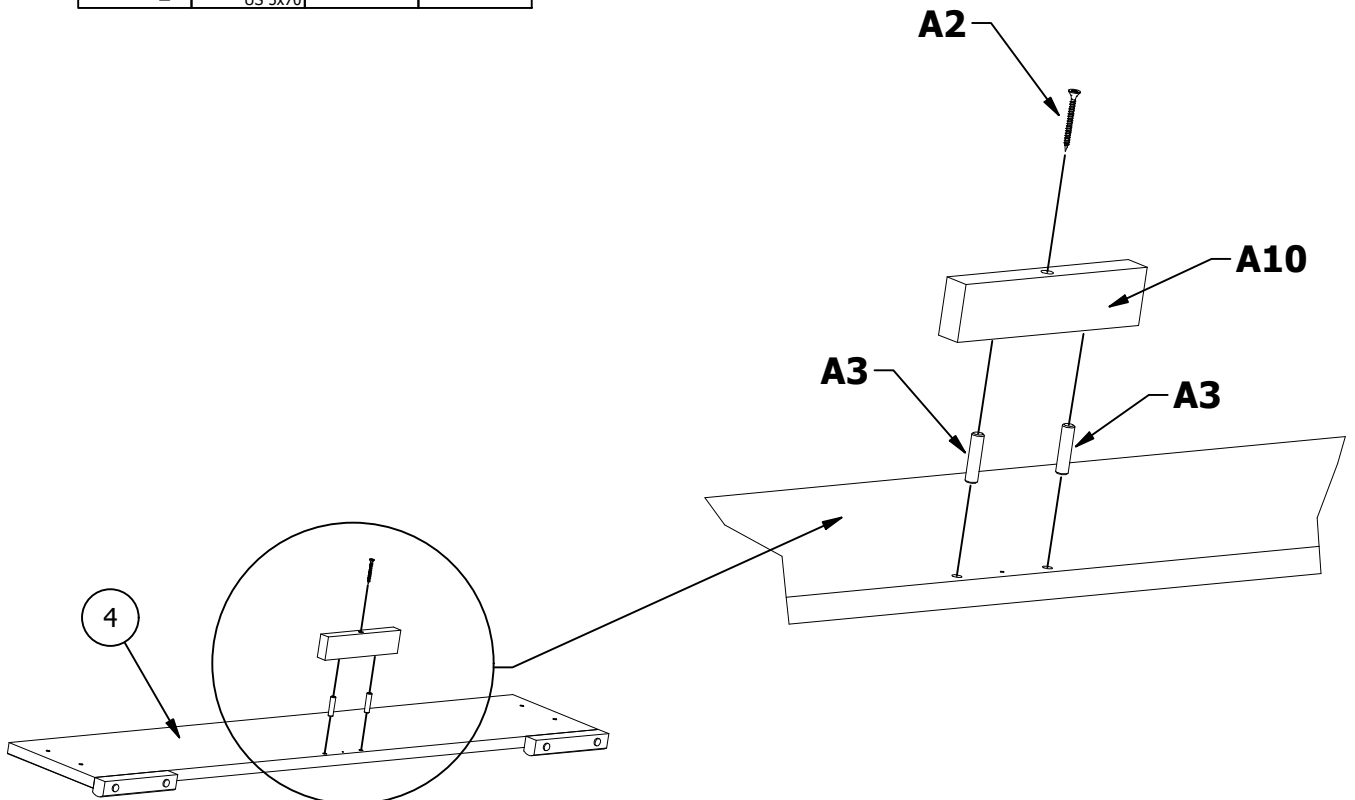
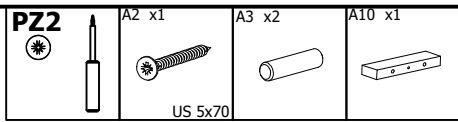
WP M6x25



3

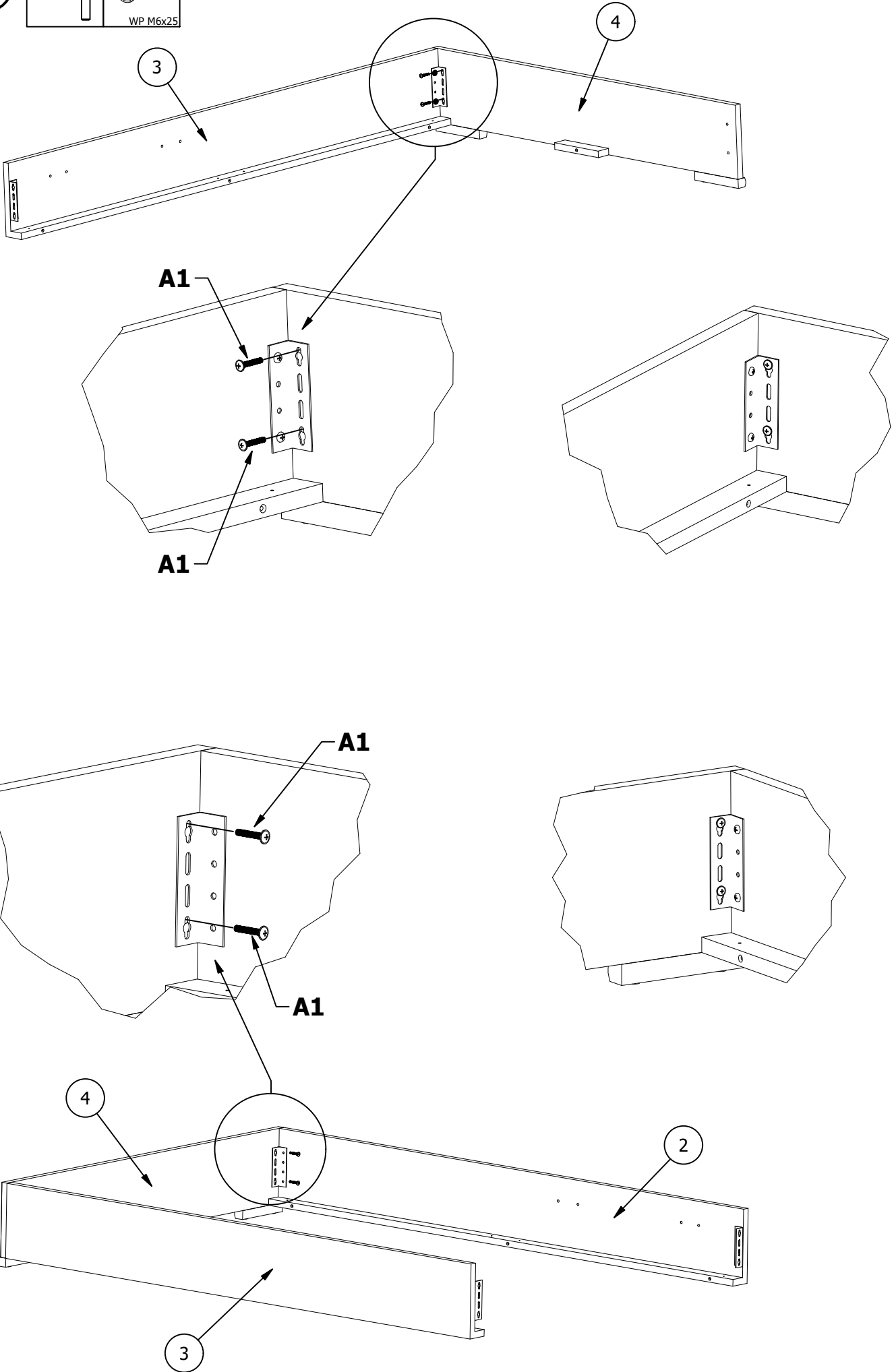
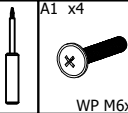


4



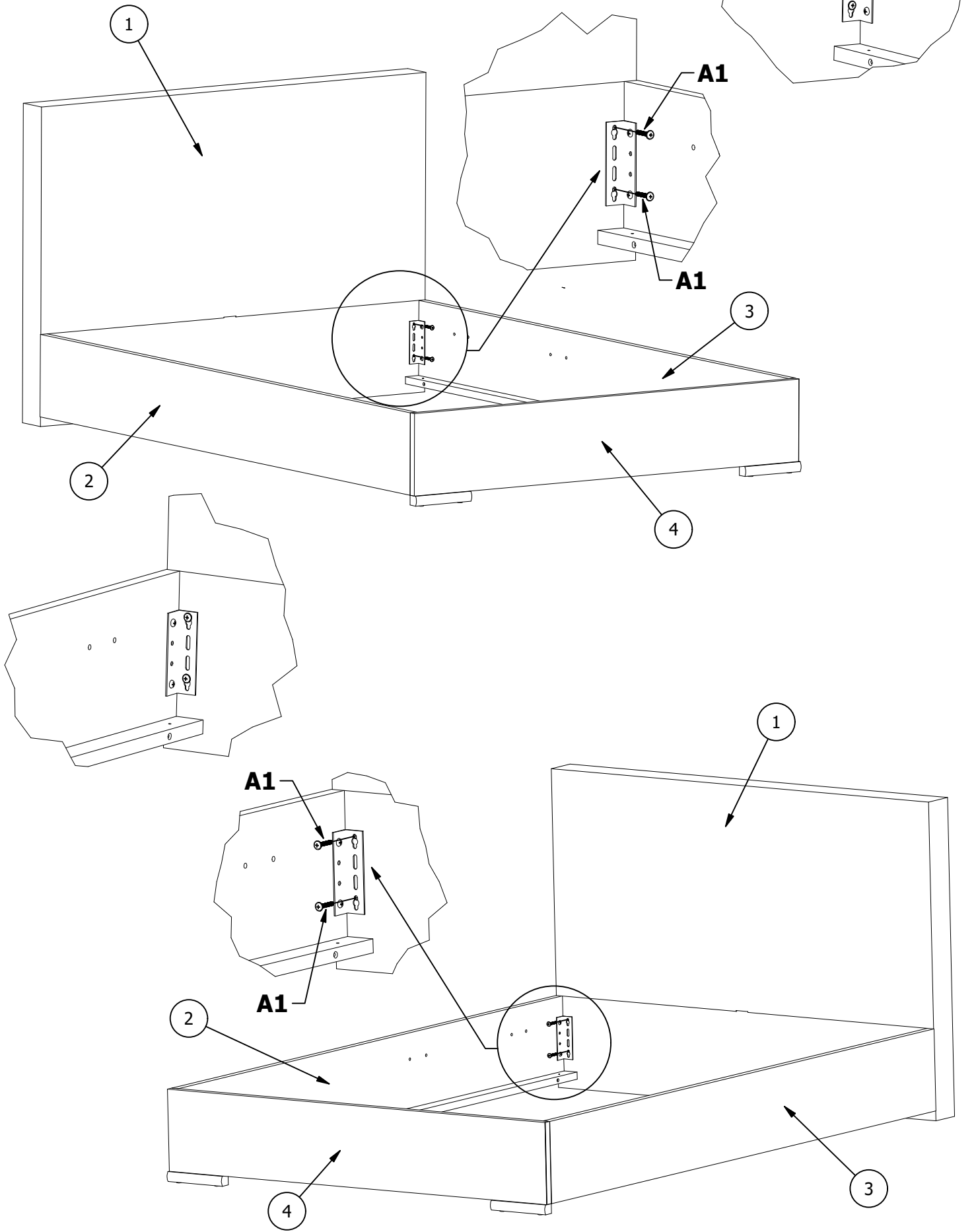
5

PZ3  
A1 x4  
WP M6x25

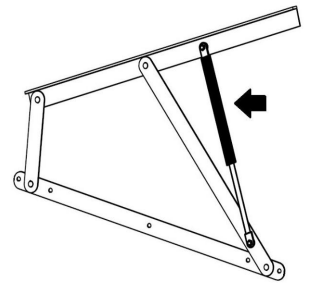
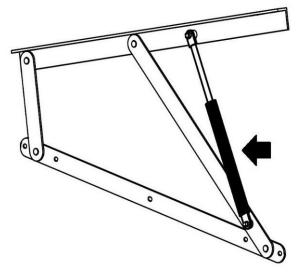


6

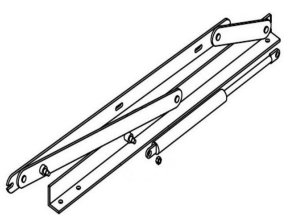
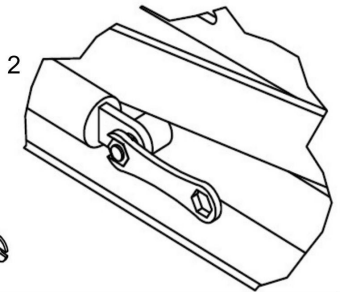
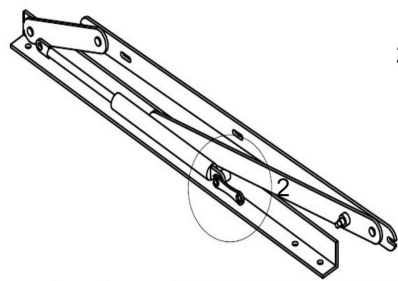
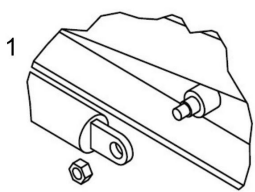
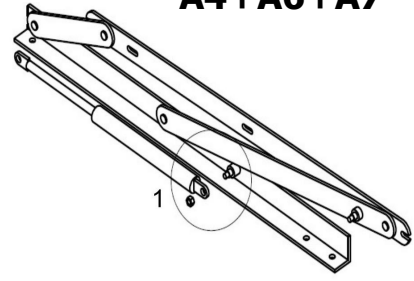
**PZ3**  
+  
A1 x4  
WP M6x25



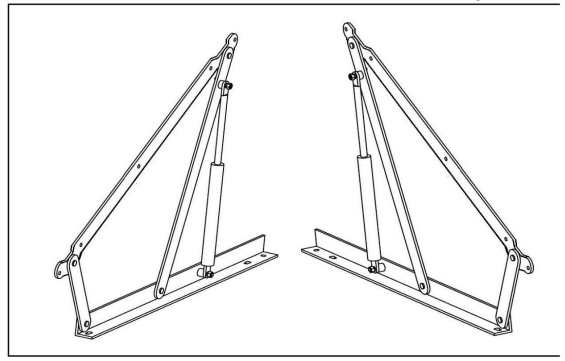
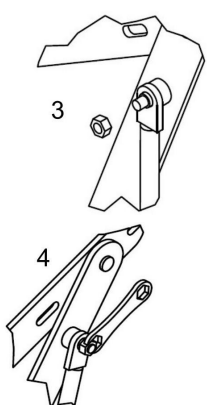
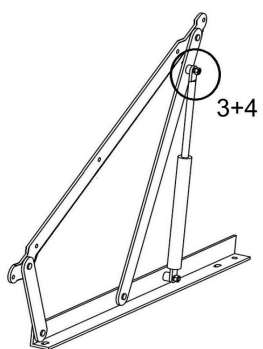
7



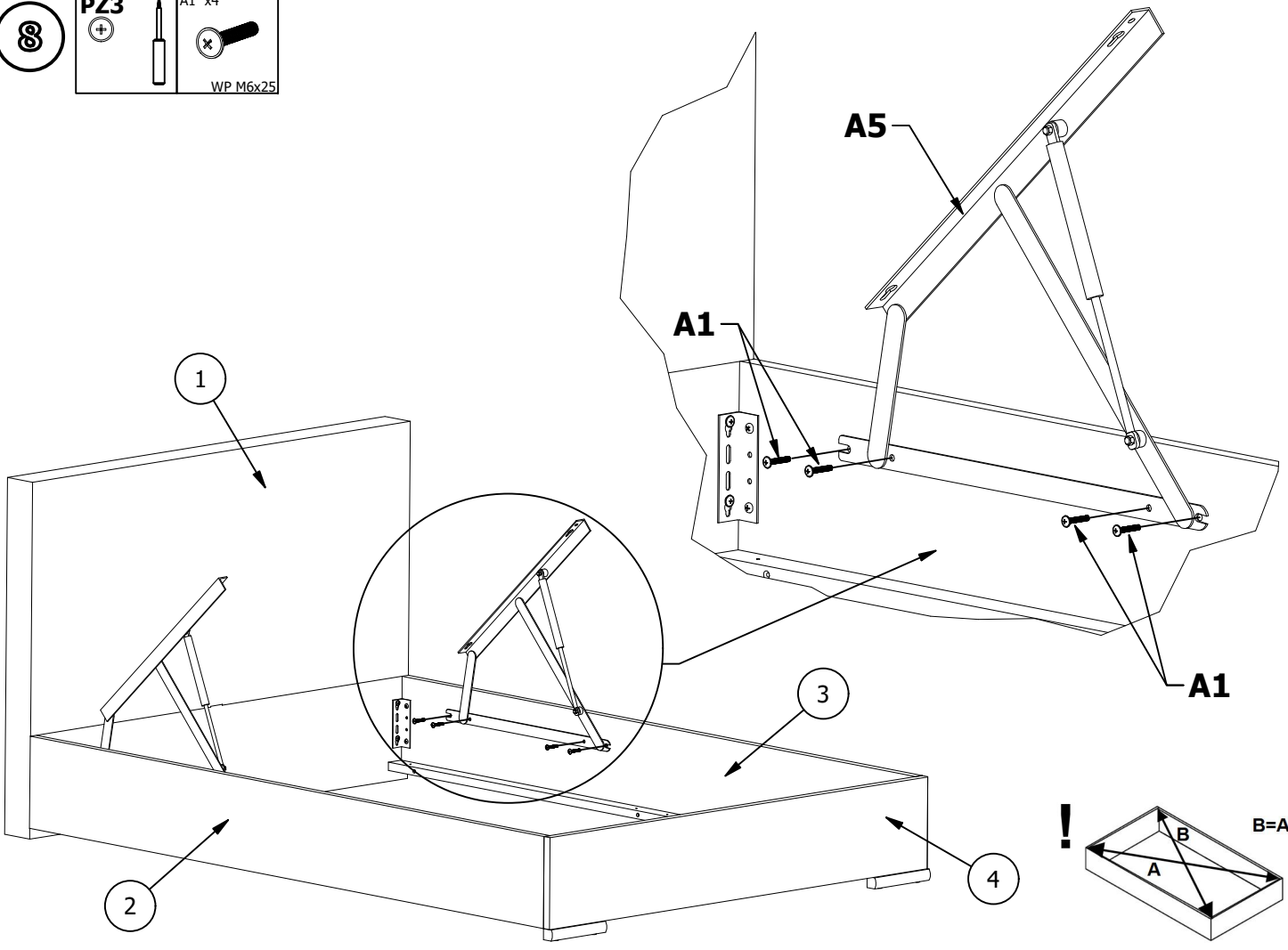
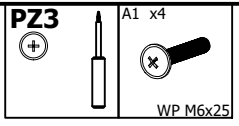
**A4+A6+A7**





**A5+A6+A7**

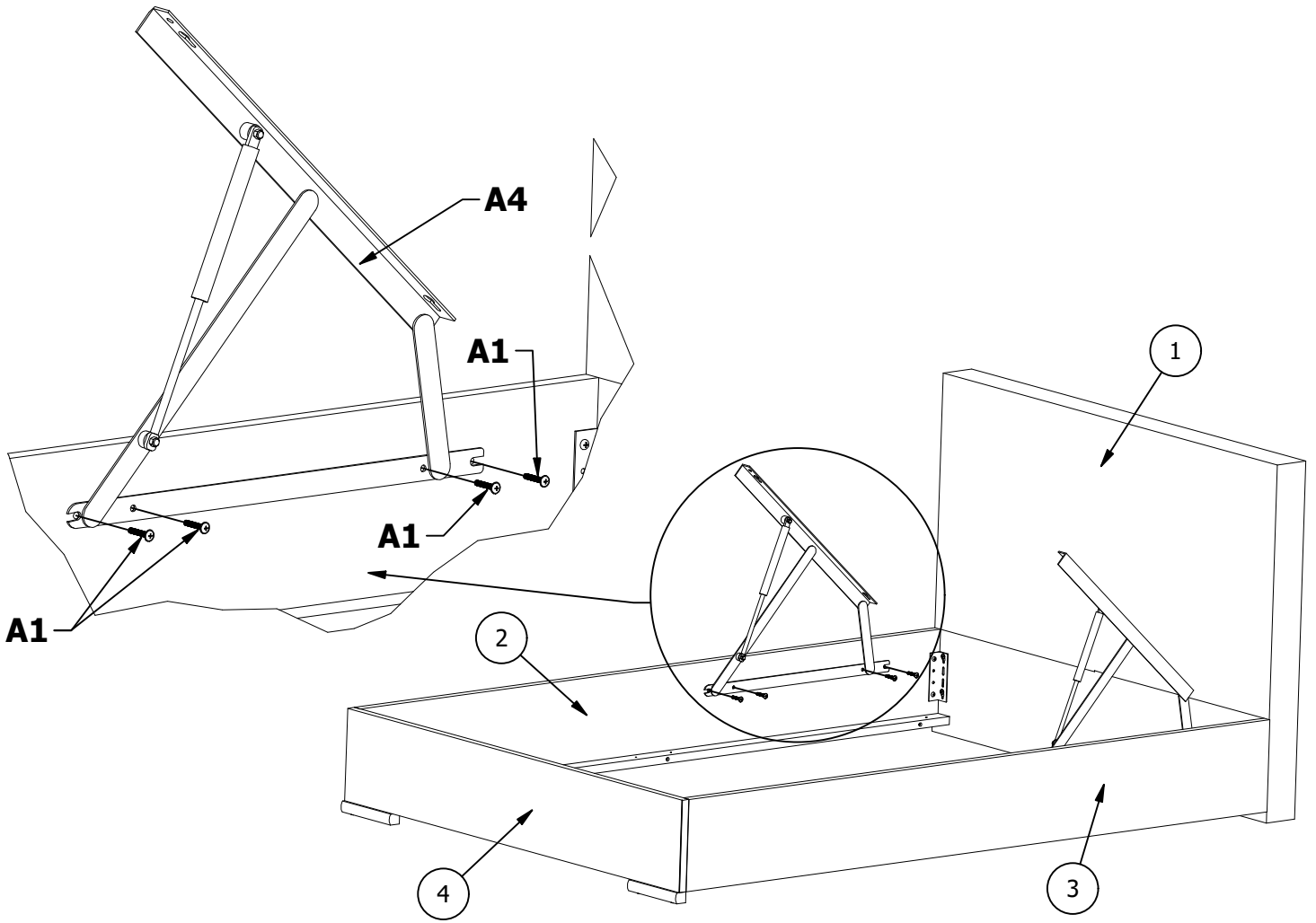


8





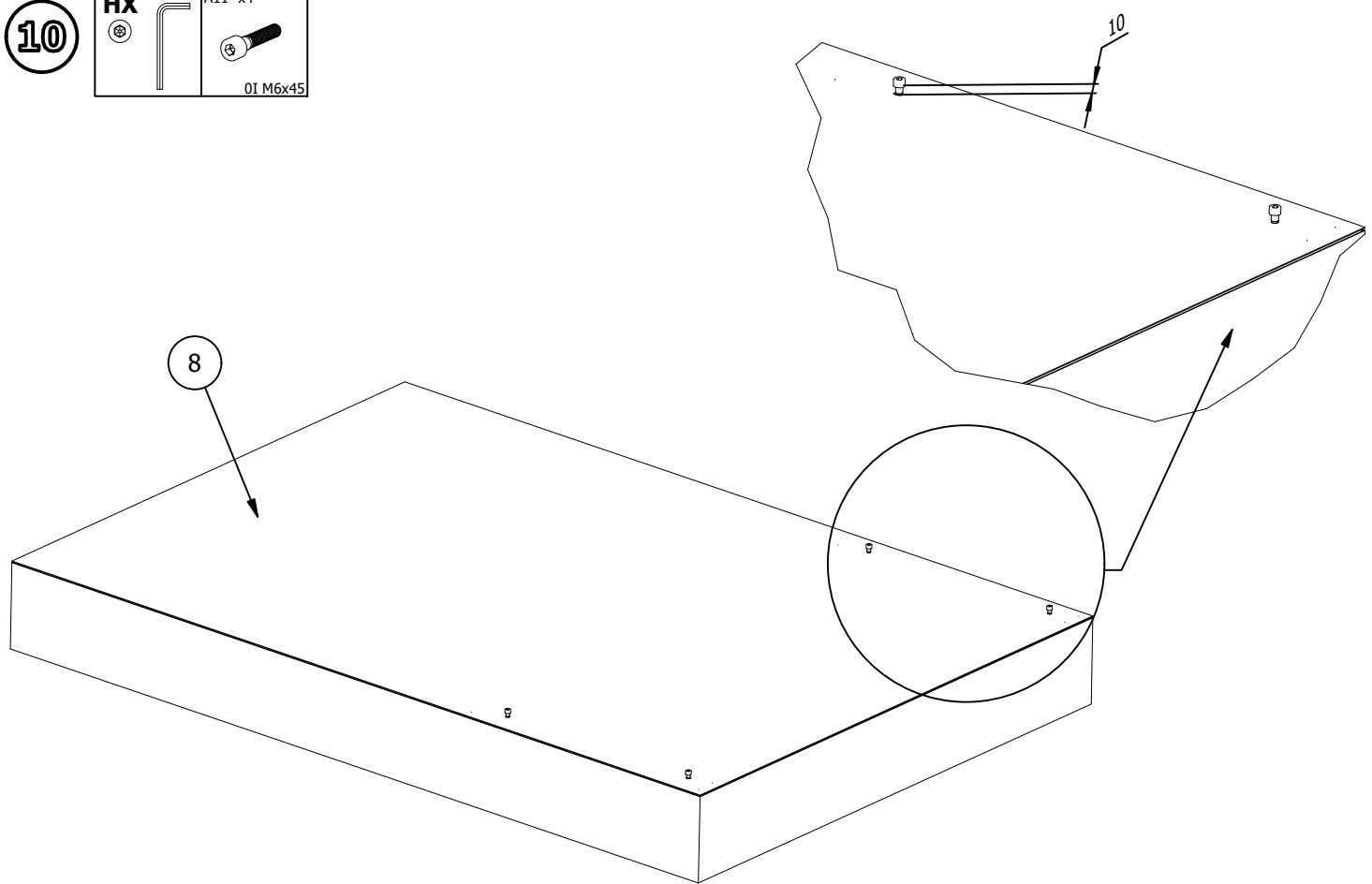
9

|  |  |
|--|--|
| <b>PZ3</b><br>+  | A1 x4  |
|  |  |
| WP M6x25   |  |

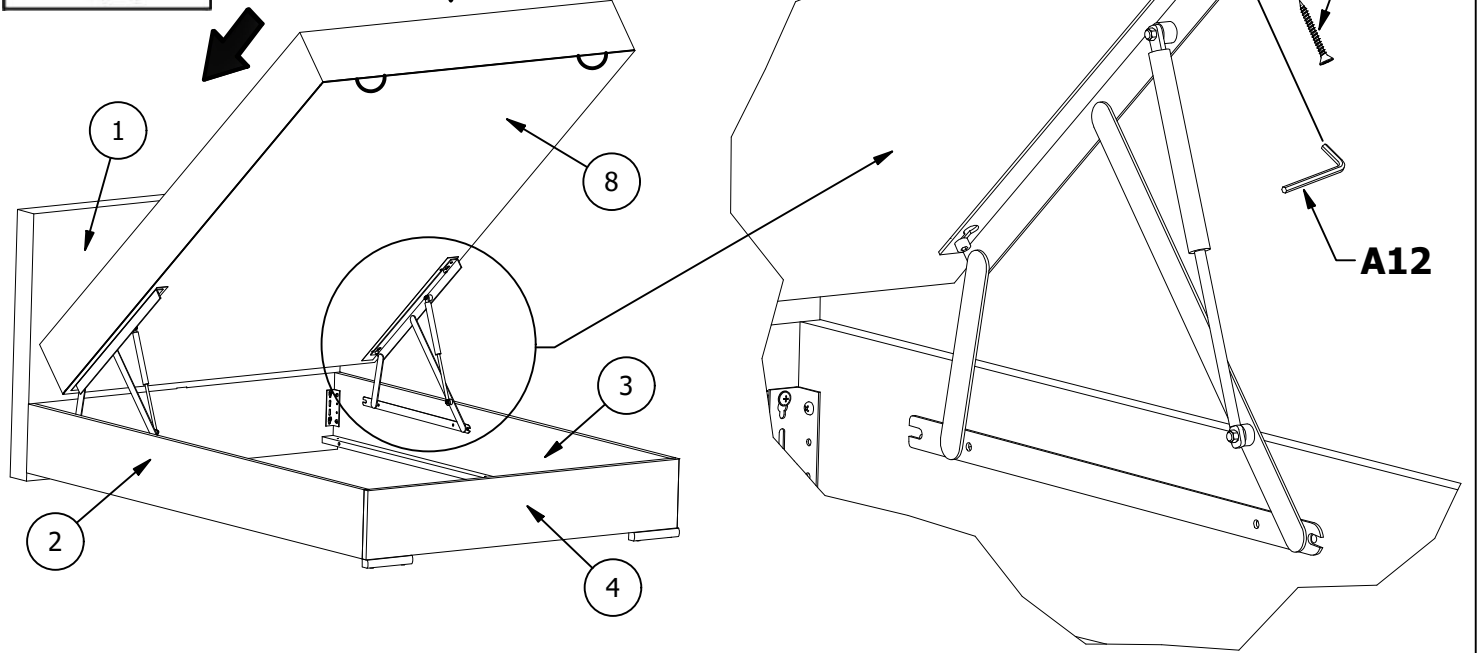
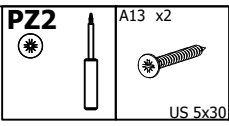


10

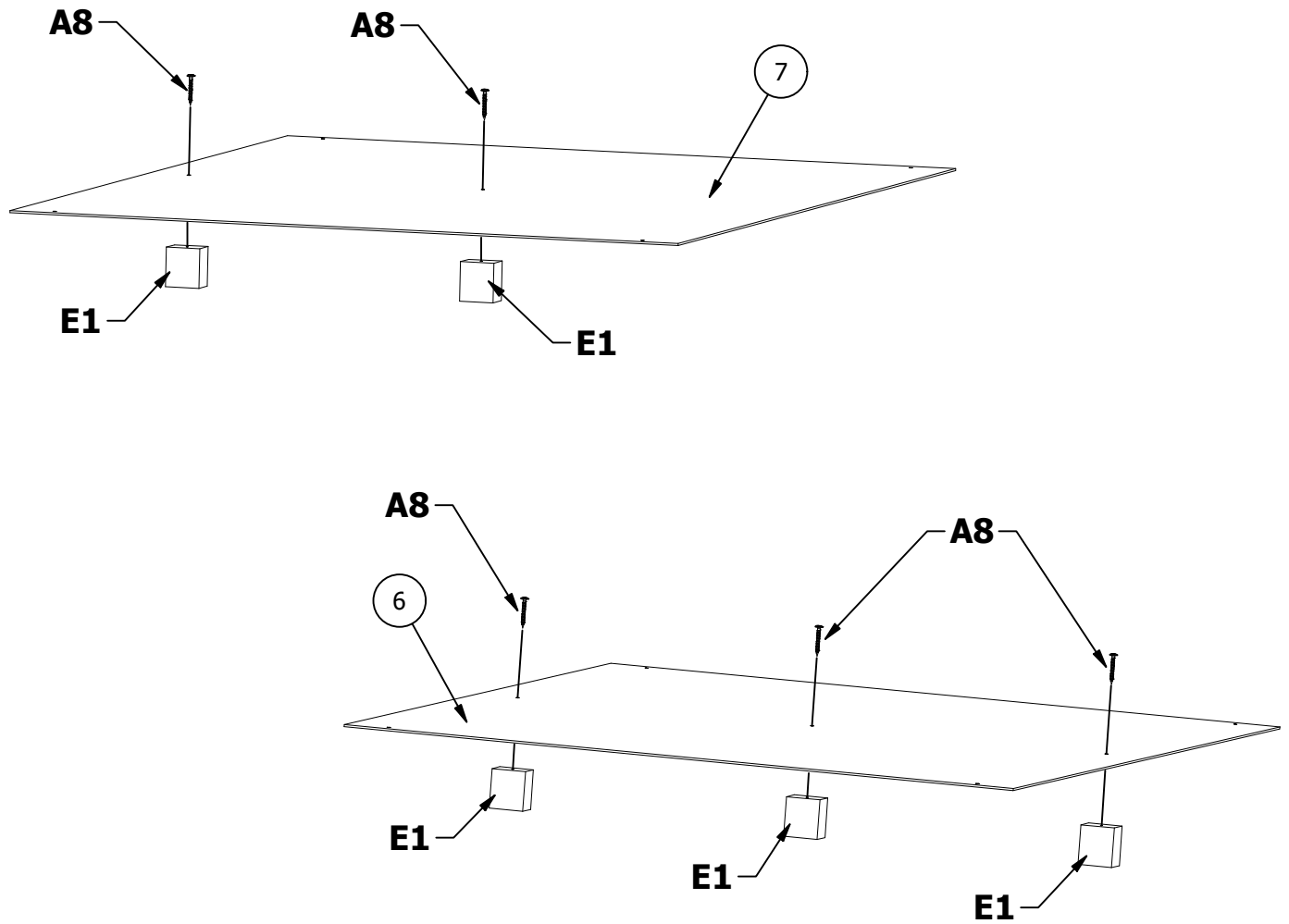
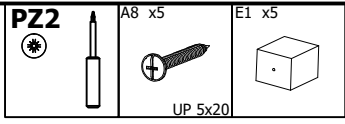
|   |   |
|---|---|
| <b>HX</b><br>⊕  | A11 x4  |
|  |  |
| 01 M6x45  |   |



11

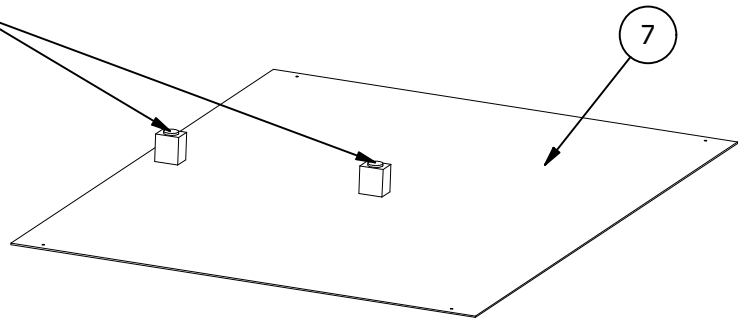
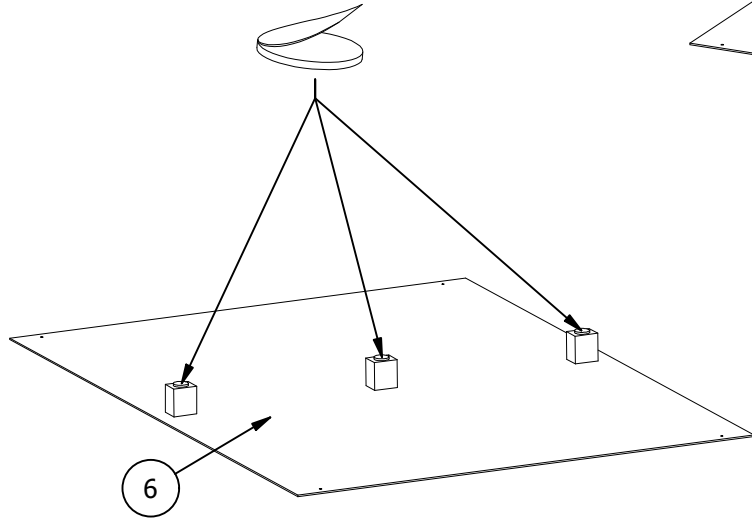


12



13

EP1 x5



14

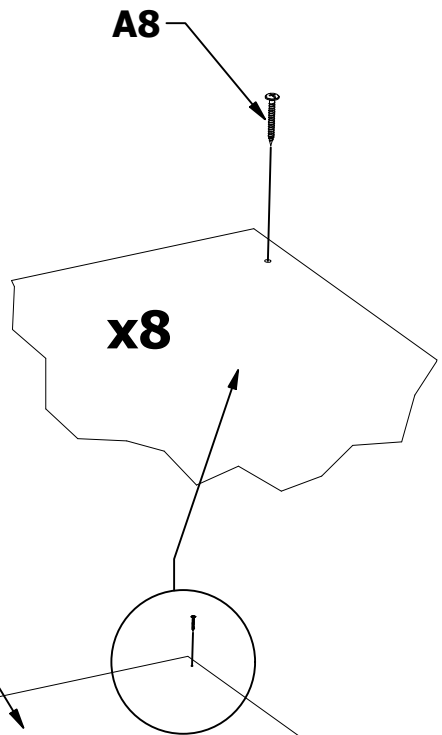
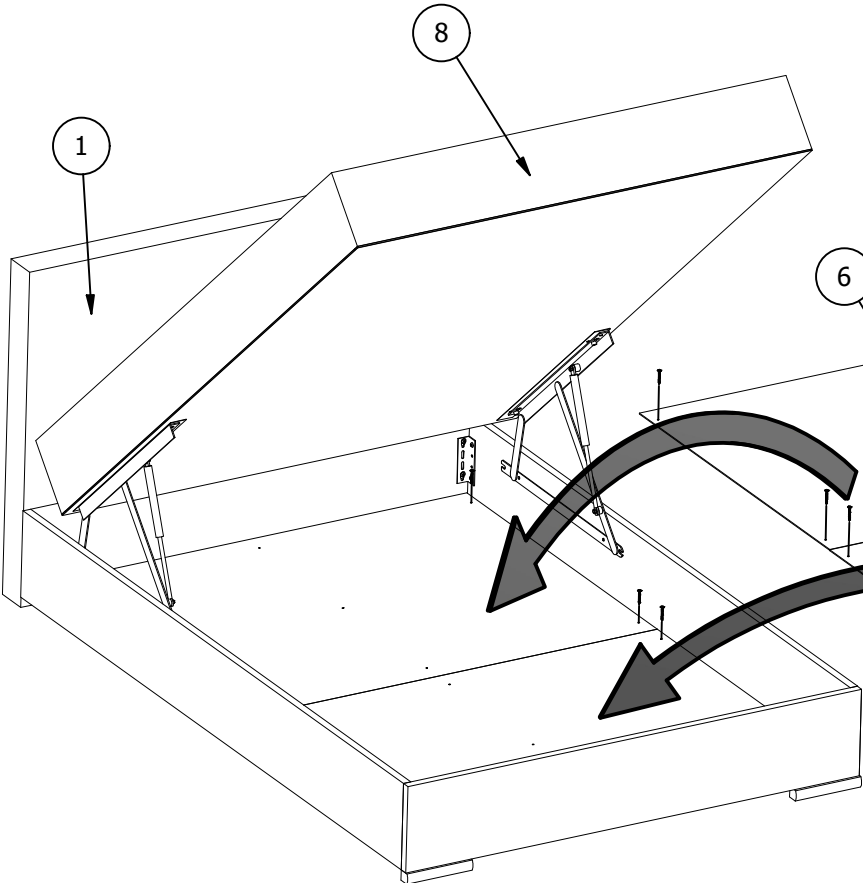
PZ2



A8 x8



UP 5x20

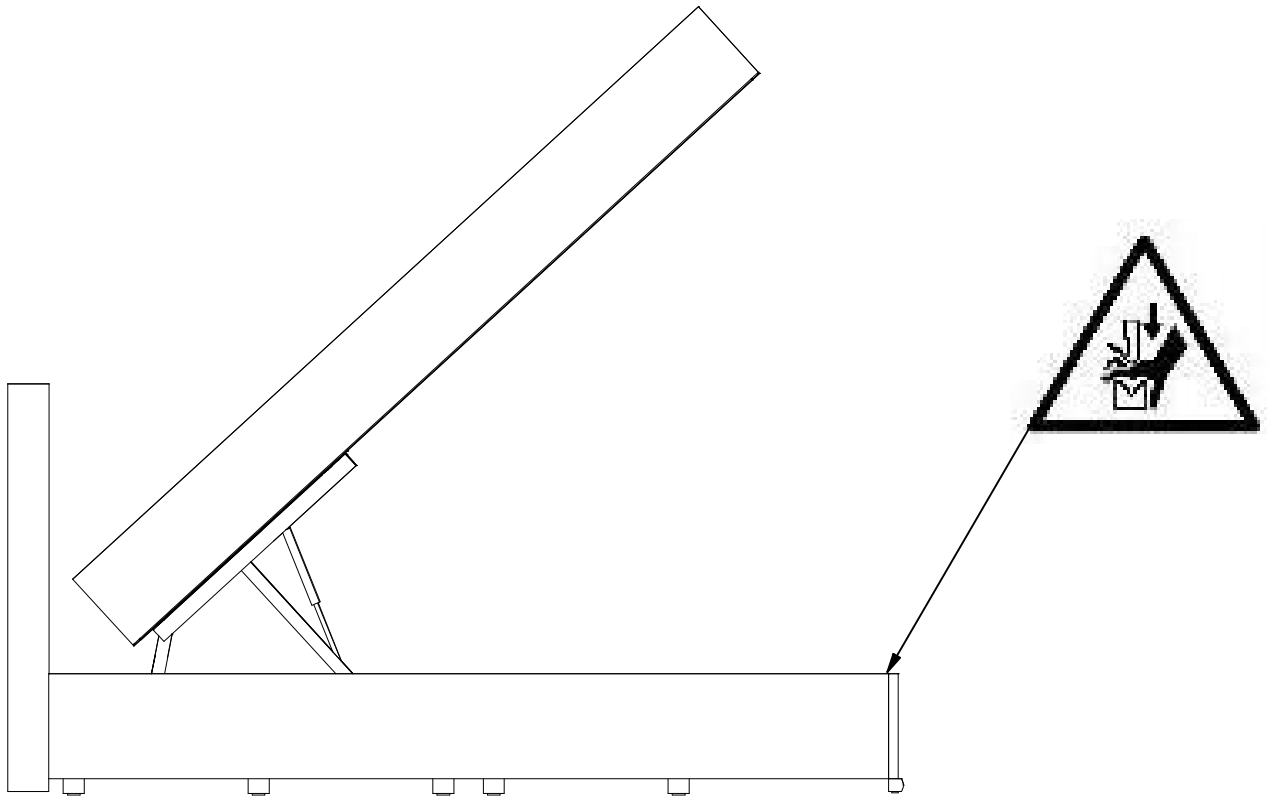


A8

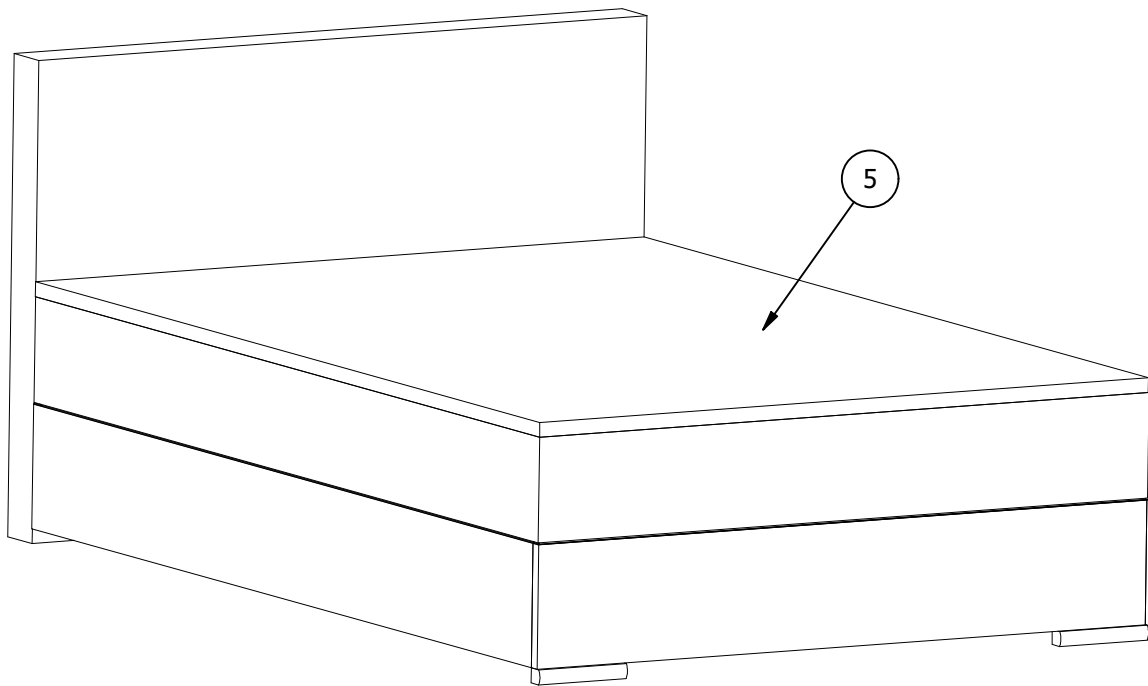
x8

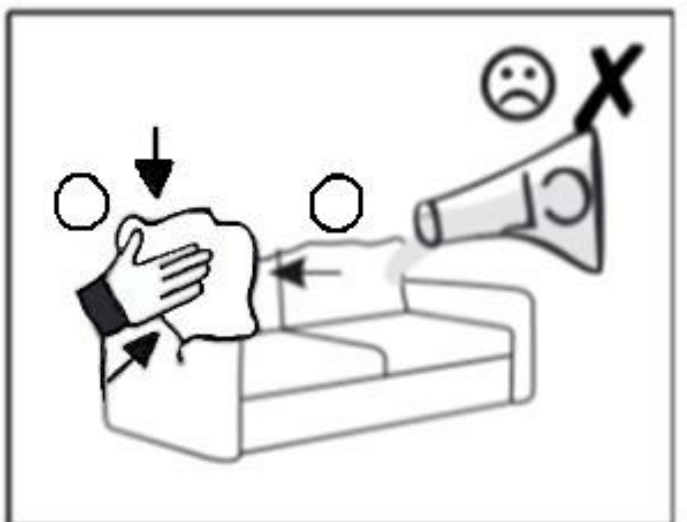
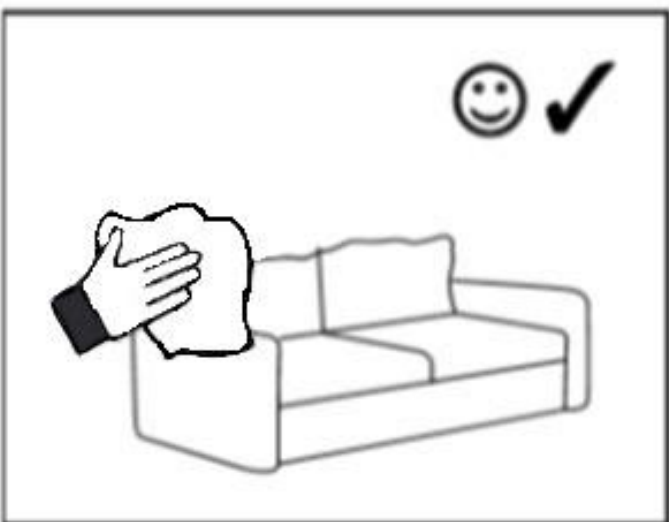
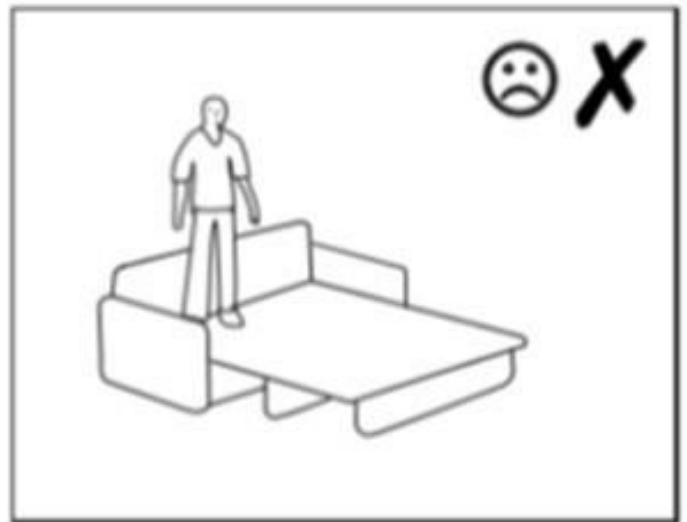
7

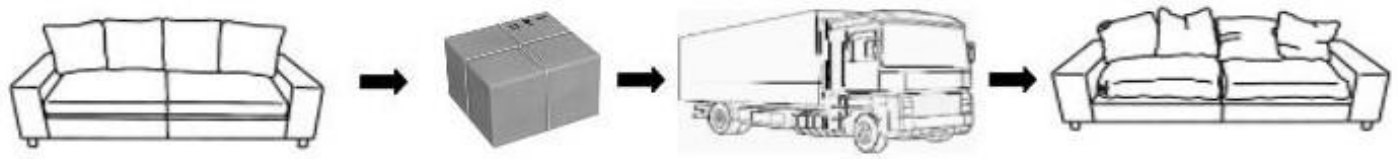
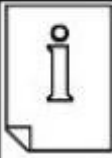
15



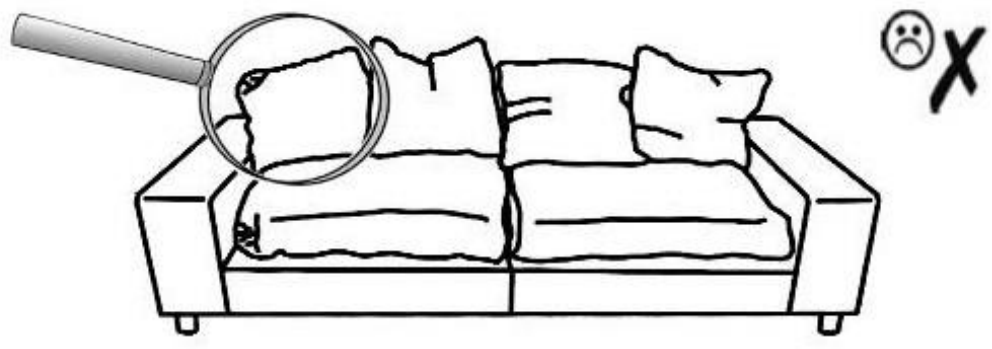
16



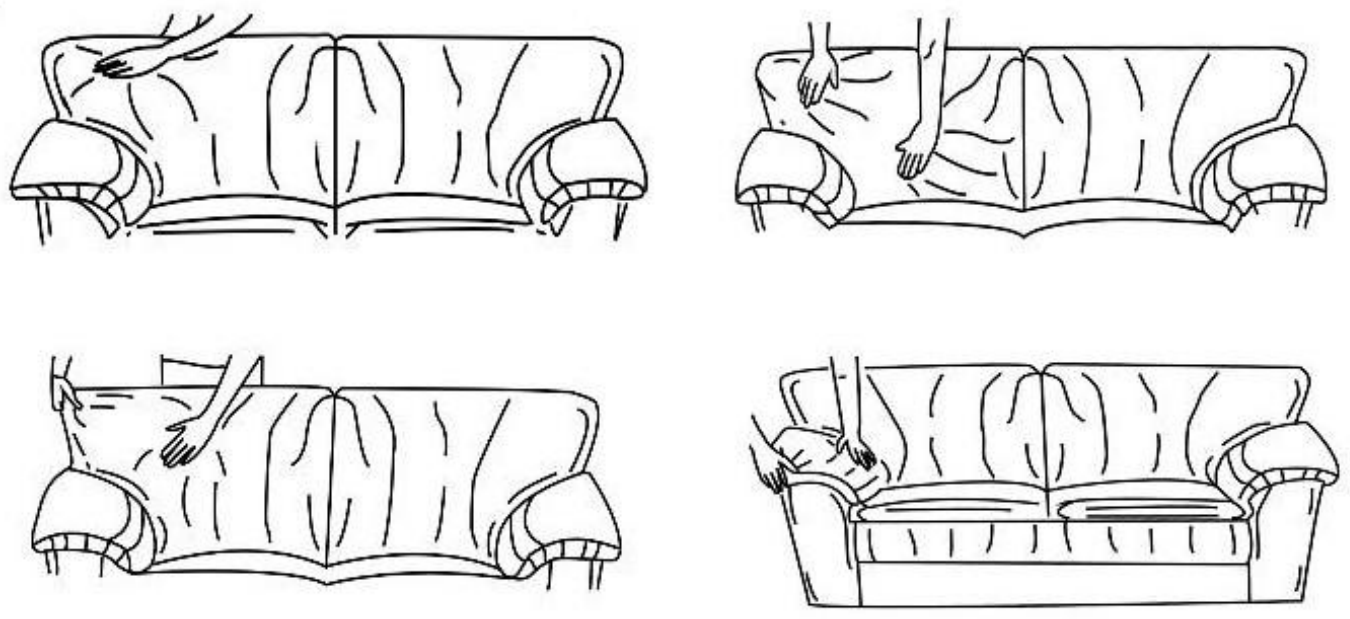




1



2



3

