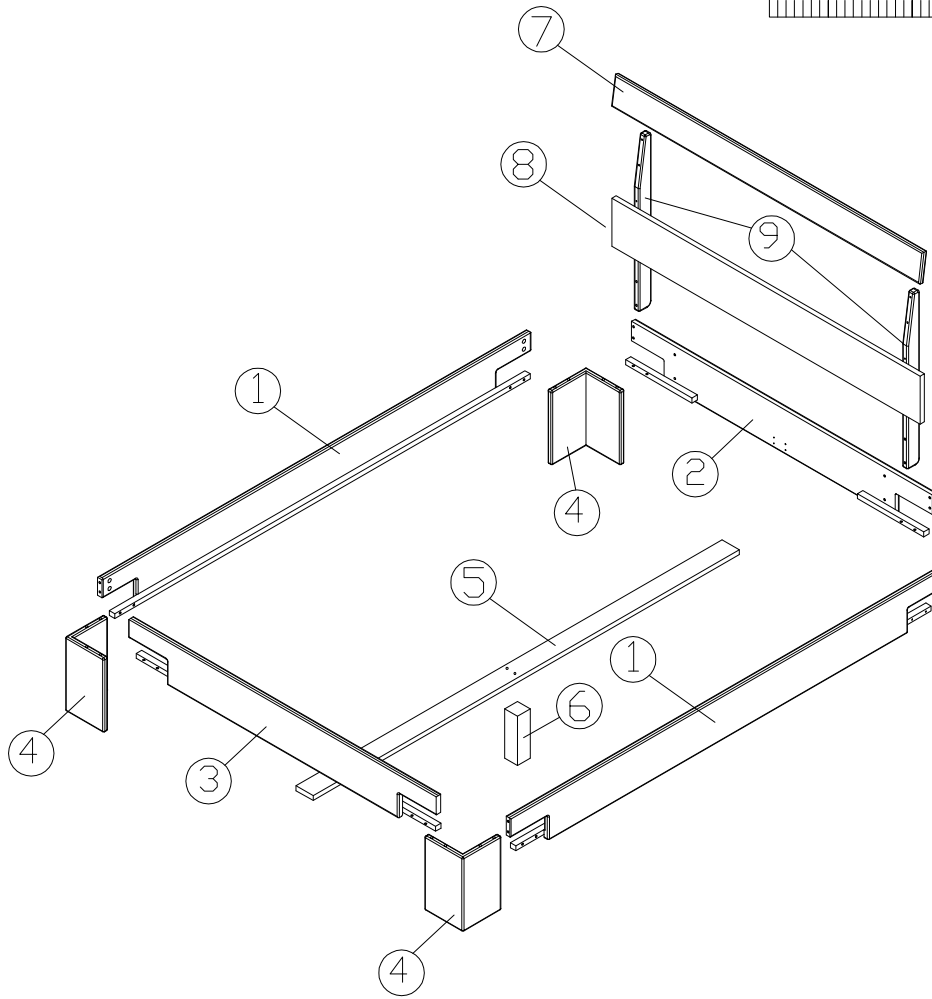


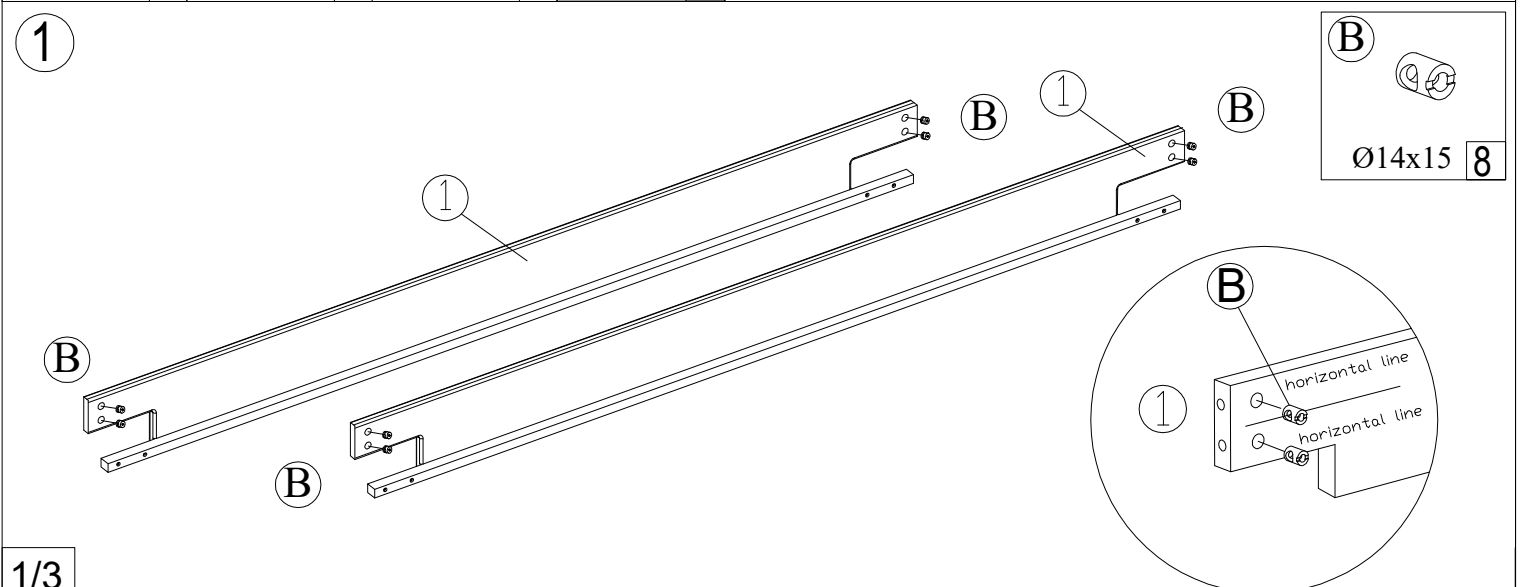
MONTAGEANLEITUNG ASSEMBLY INSTRUCTION

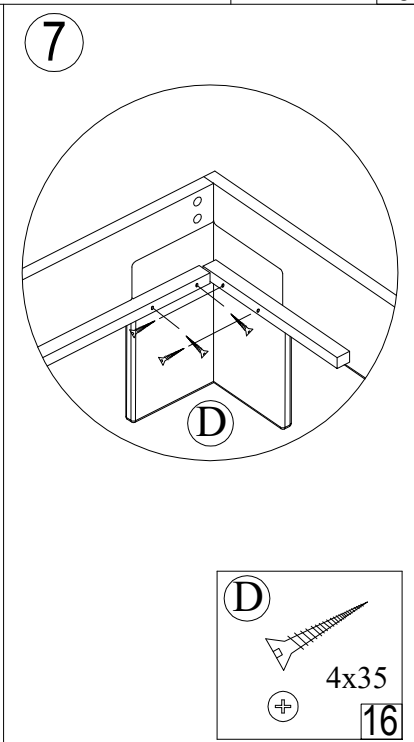
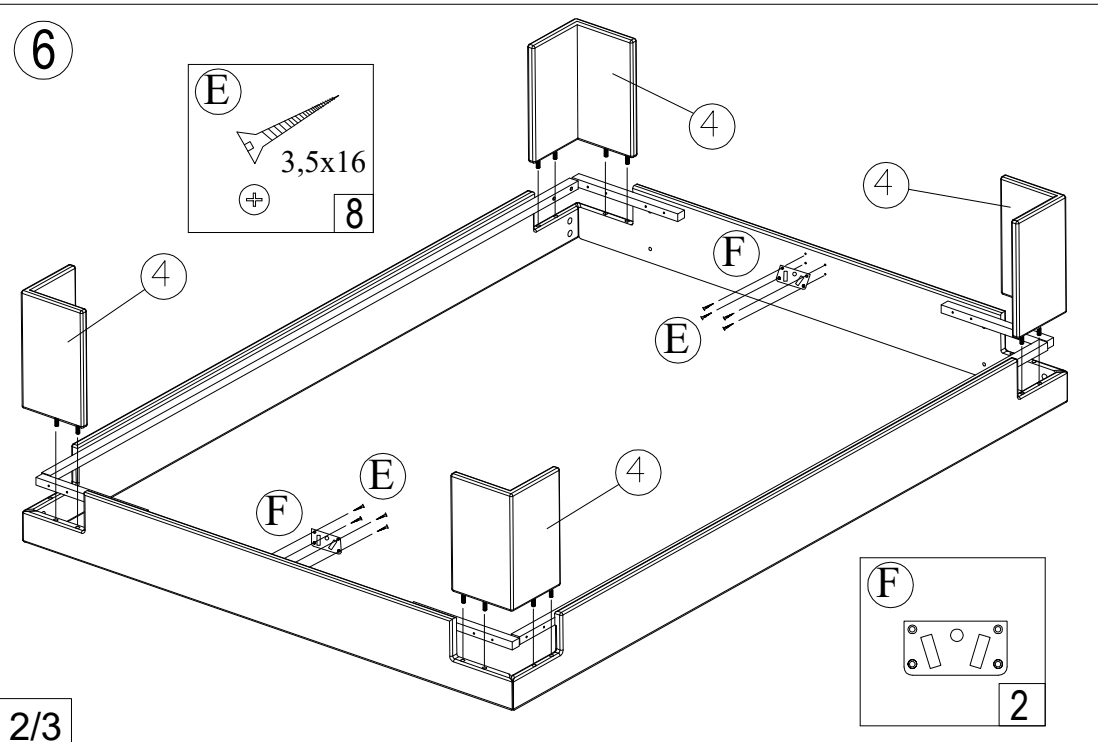
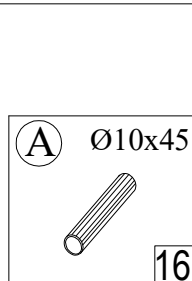
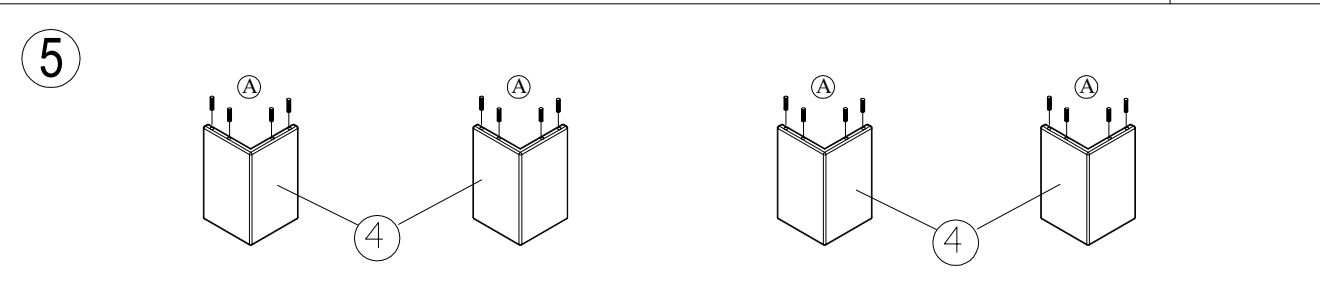
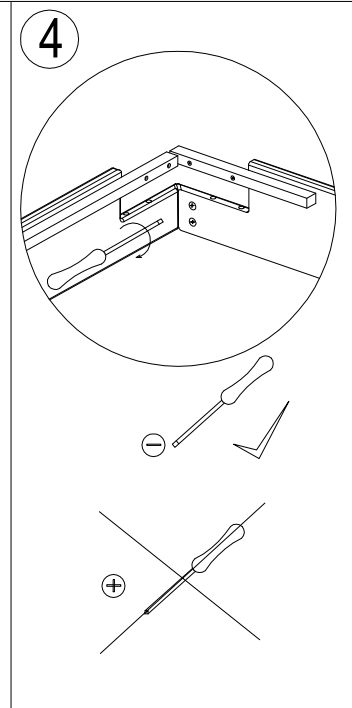
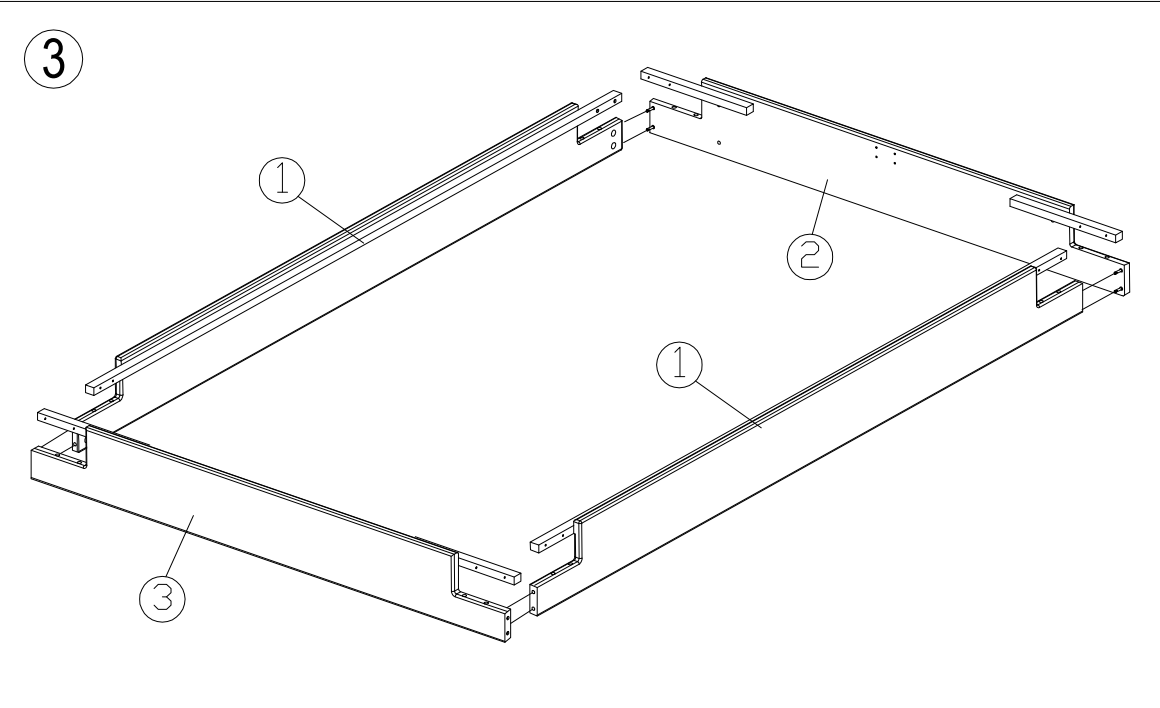
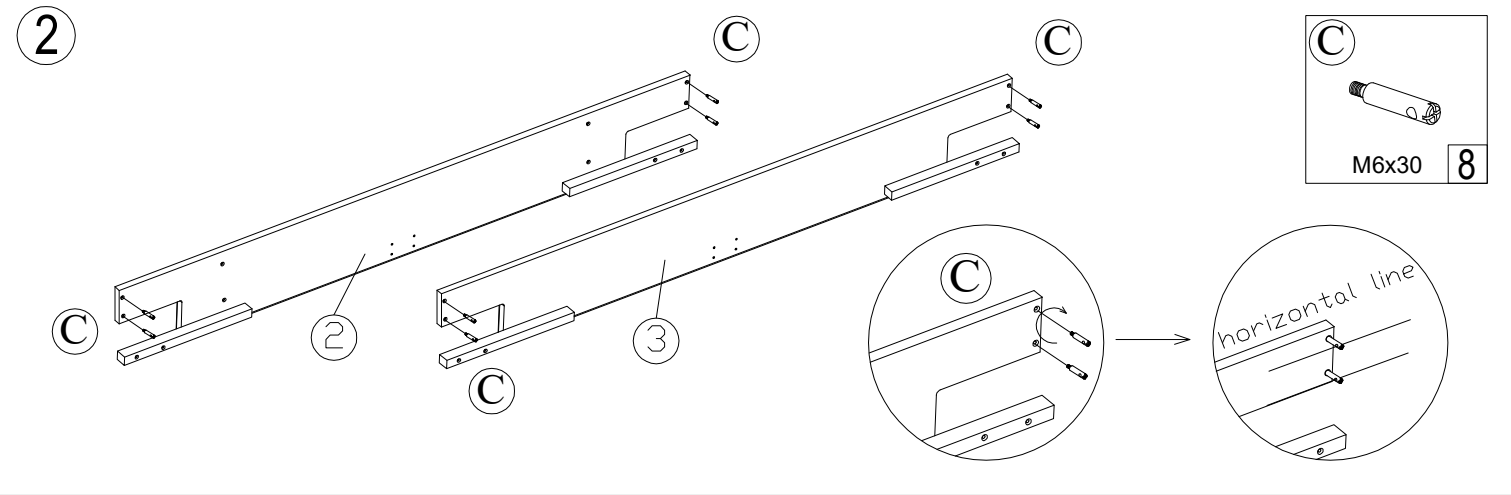
MALU 120/140/160/180/200



TEILE-NR	ANZAHL	MASS HXBXT (mm)	COLL
1	2X	2000X180X20	1/2
2	1XX180X20	1/2
3	1XX180X20	1/2
4	4X	280X180X180	1/2
5	4X	1990X80X18	1/2
6	2X	240X60X60	1/2
7	2XX110X20	2/2
8	1XX180X20	2/2
9	2X	610X48X25	2/2

A Ø10x45 16	B Ø14x15 8	C M6x30 8	D 4x35 26	E 3,5x16 22	F 2	G 2	H inbus 4 2
I 4	J M6x55 4	K 2	L 8 M8x10				



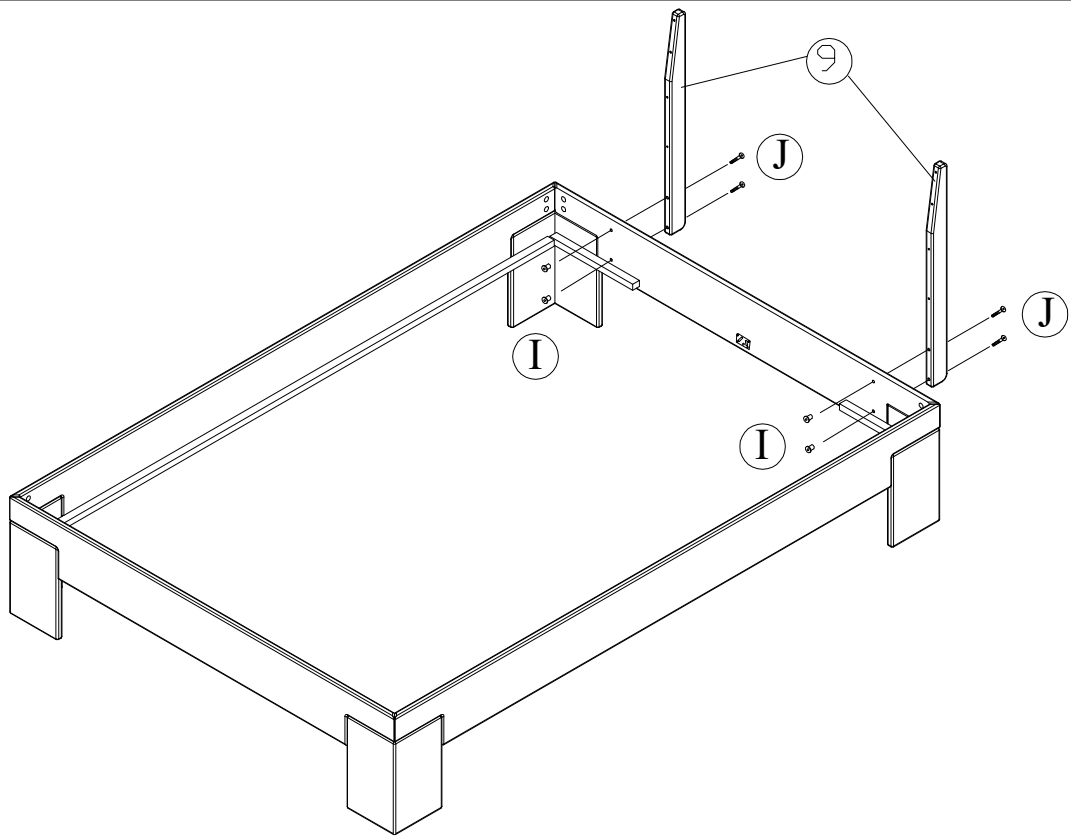


8

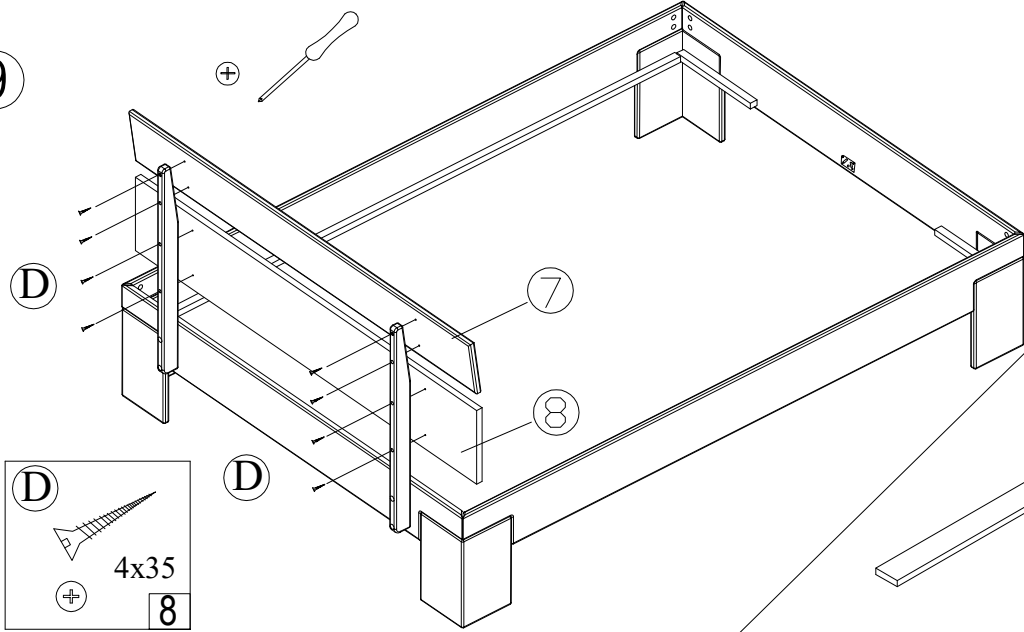
J M6x55
4

I M6x15
4

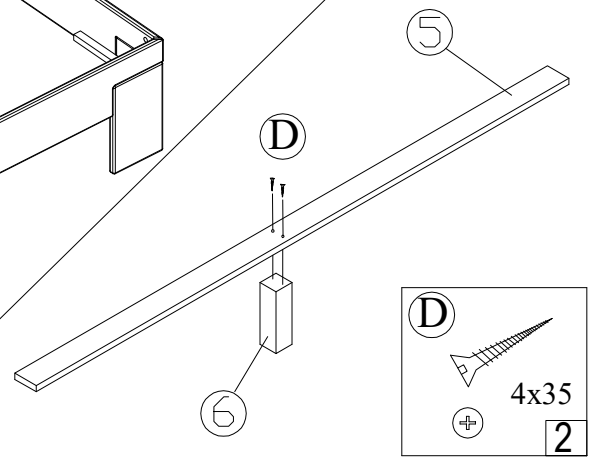
H
inbus 4
2



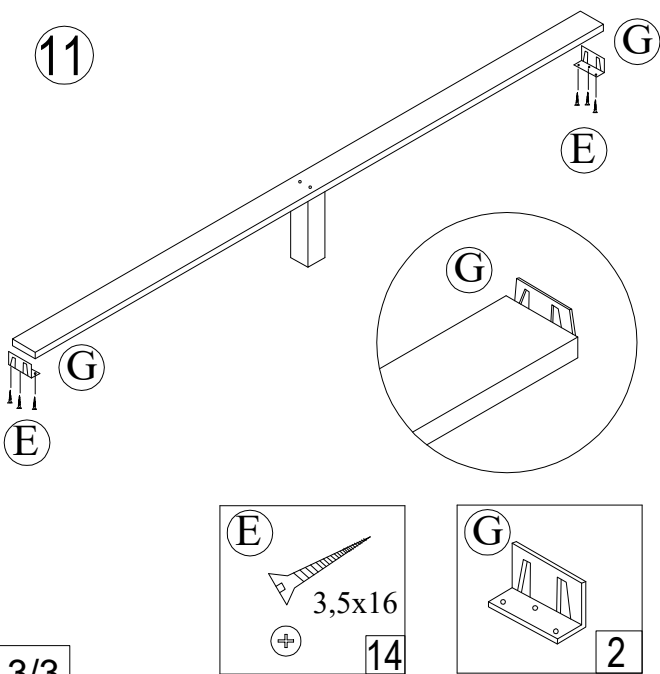
9



10



11



12

