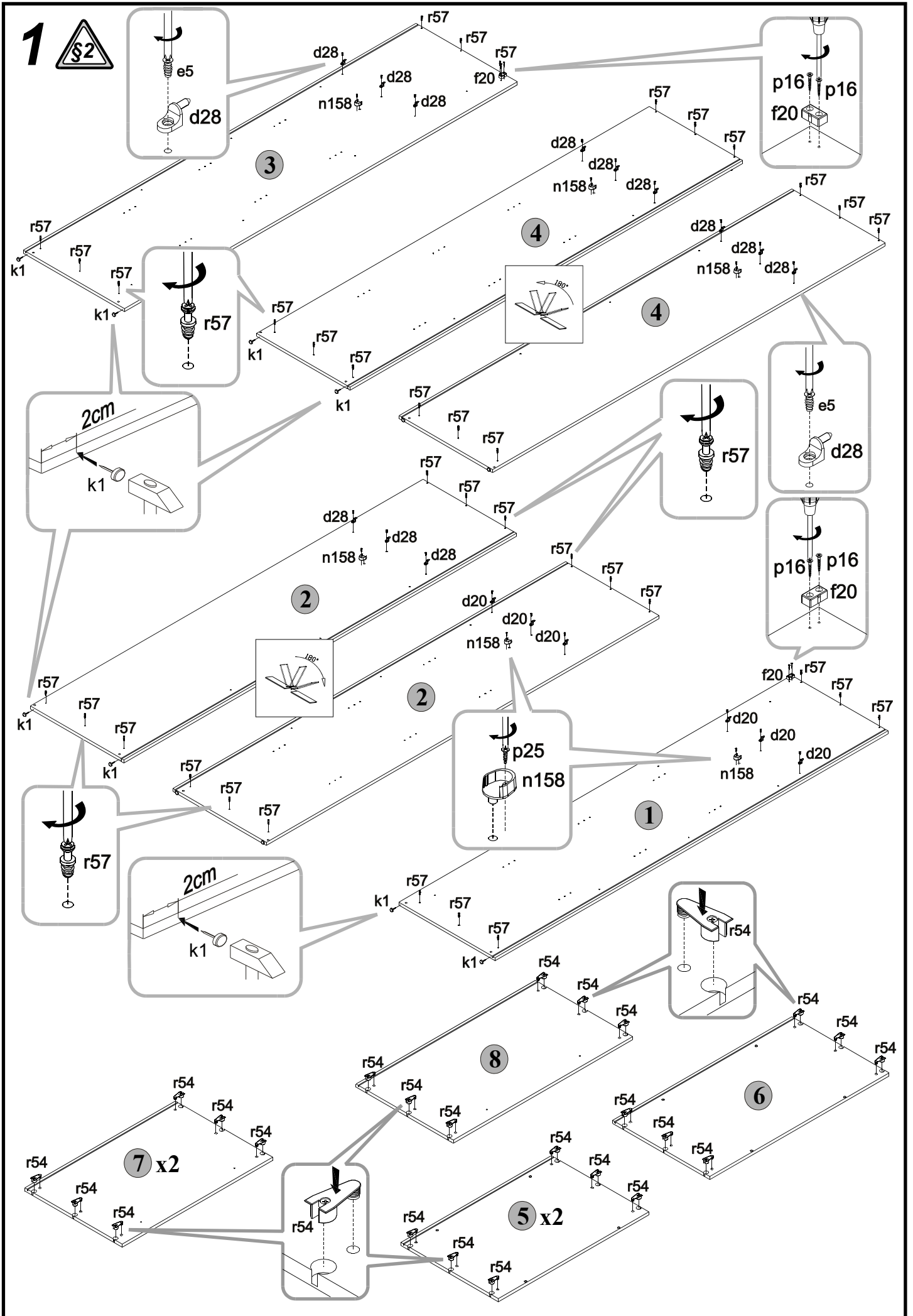


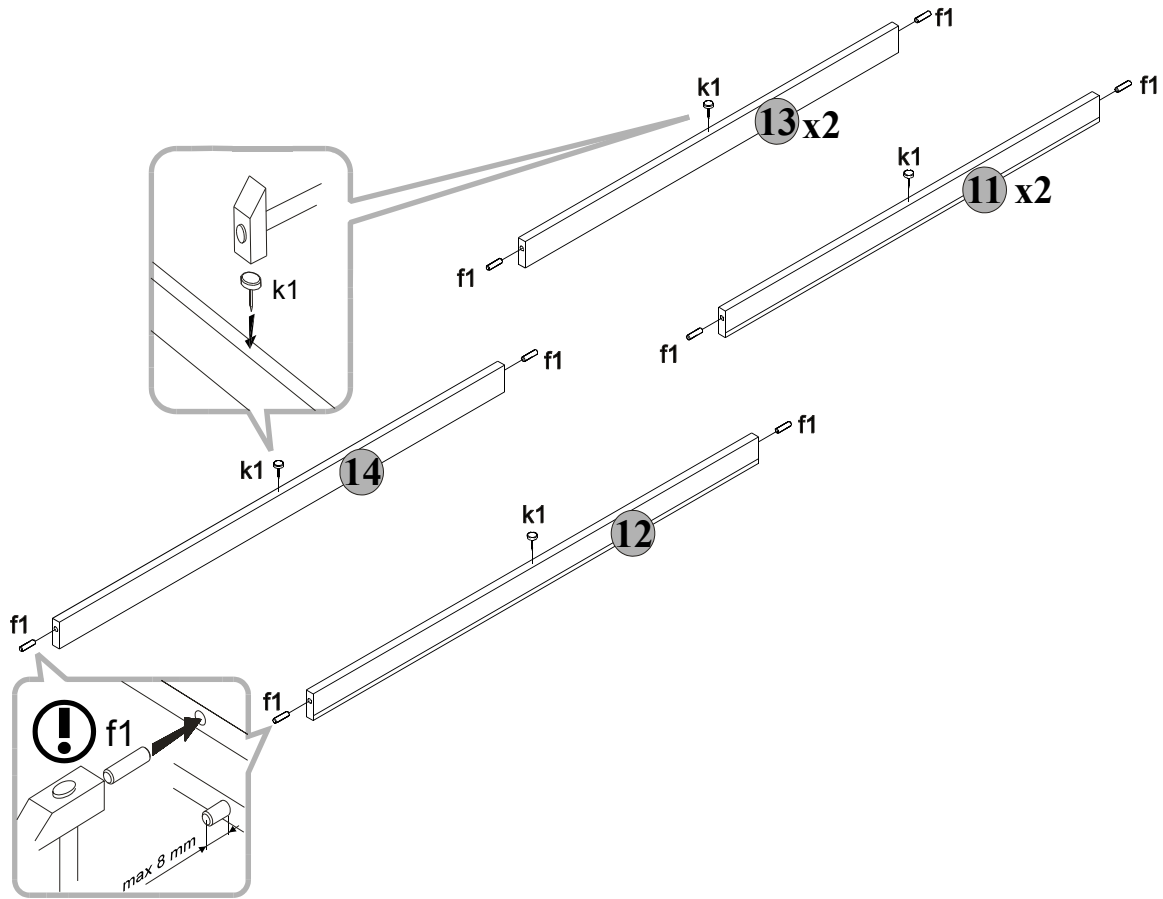
A	B	C	D
1	F 37-101	2250x551	1/7
2	F 37-102	2249x535	2/7
3	F 37-103	2250x580	1/7
4	F 37-104	2249x535	2/7
5	F 37-301A	827x535	3/7
6	F 37-302	986x535	4/7
7	F 37-303	827x535	3/7
8	F 37-304	986x535	4/7
9	F 37-305	827x480	3/7
10	F 37-306	986x480	4/7
11	F 37-401A	827x51	3/7;4/7
12	F 37-402	986x51	4/7
13	F 37-403A	827x51	3/7
14	F 37-404	986x51	4/7
15	F 37-901	2178x837	2/7
16	F 37-902	2178x995	1/7



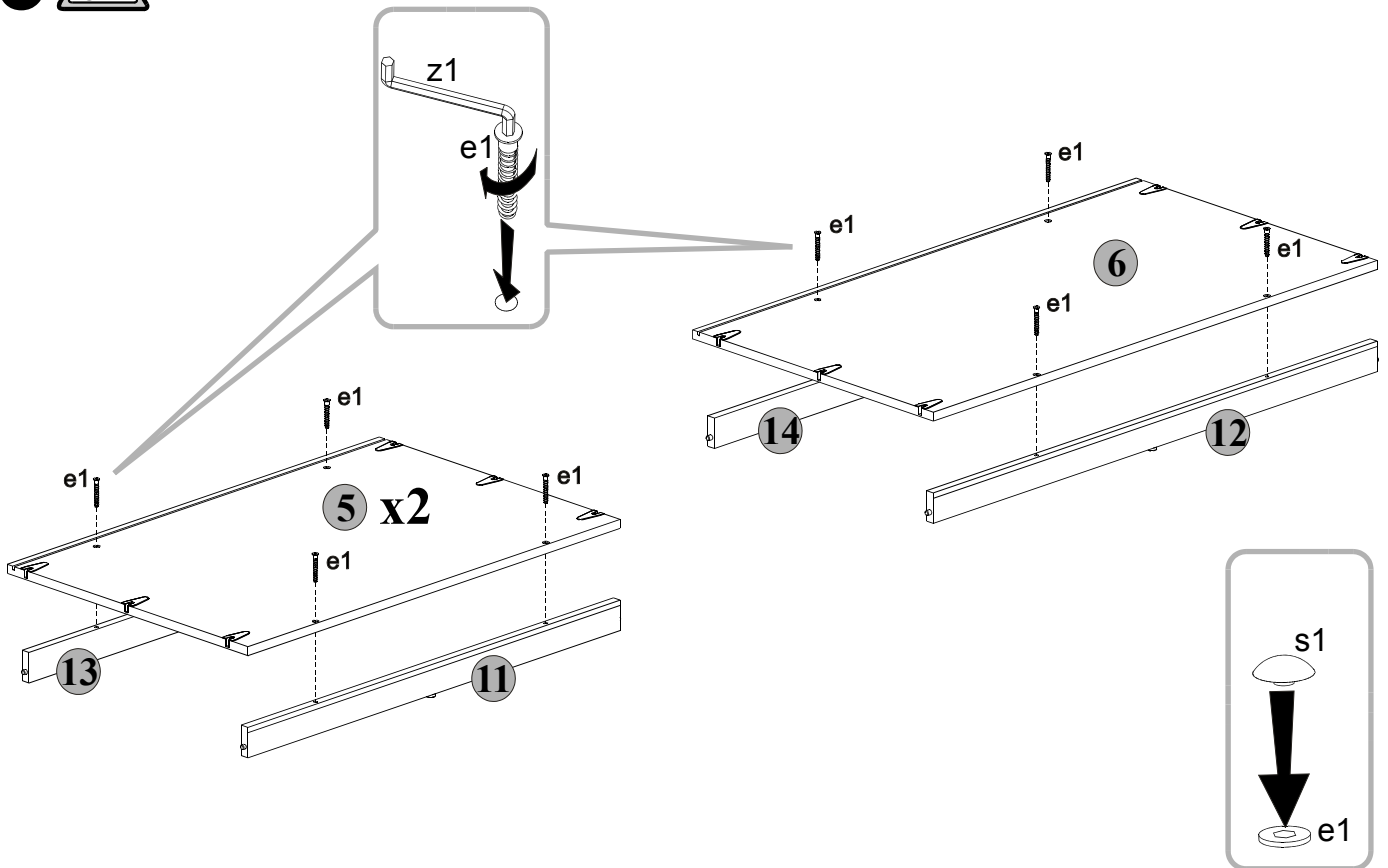
2x 15x30x821 mm <b>dr821</b>		1x 15x30x981 mm <b>dr981</b>		1x L=2668mm w123/1		1x L=2668mm w124/2	
18x <b>d28</b>	24x <b>d20</b>	12x <b>e1</b>	18x <b>e5</b>	24x <b>e50</b>	12x <b>f1</b>	2x <b>f55</b>	2x <b>f20</b>
2x <b>M5 j149</b>	2x <b>M5x20 mm j148</b>	12x <b>I2</b>	14x <b>k1</b>	6x <b>n158</b>	4x <b>p16</b>	19x <b>p25</b>	
17x <b>p93</b>	36x <b>r57</b>	36x <b>r54</b>	12x <b>s1</b>	14x <b>s4</b>	1x <b>z1</b>	2x <b>n14</b>	

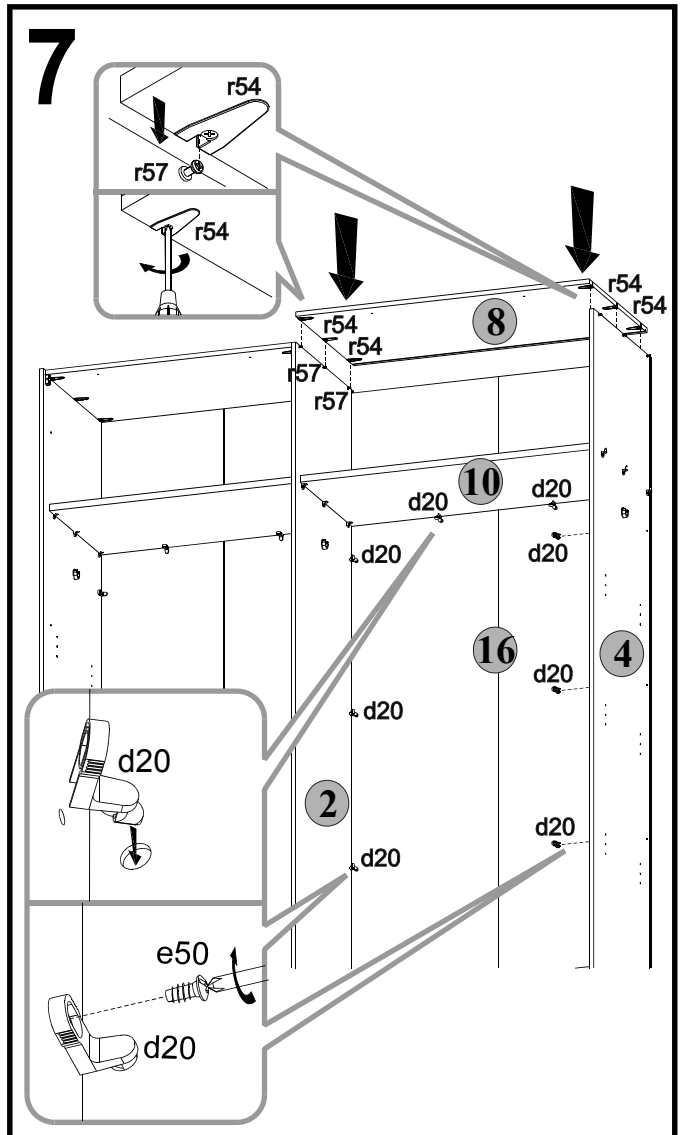
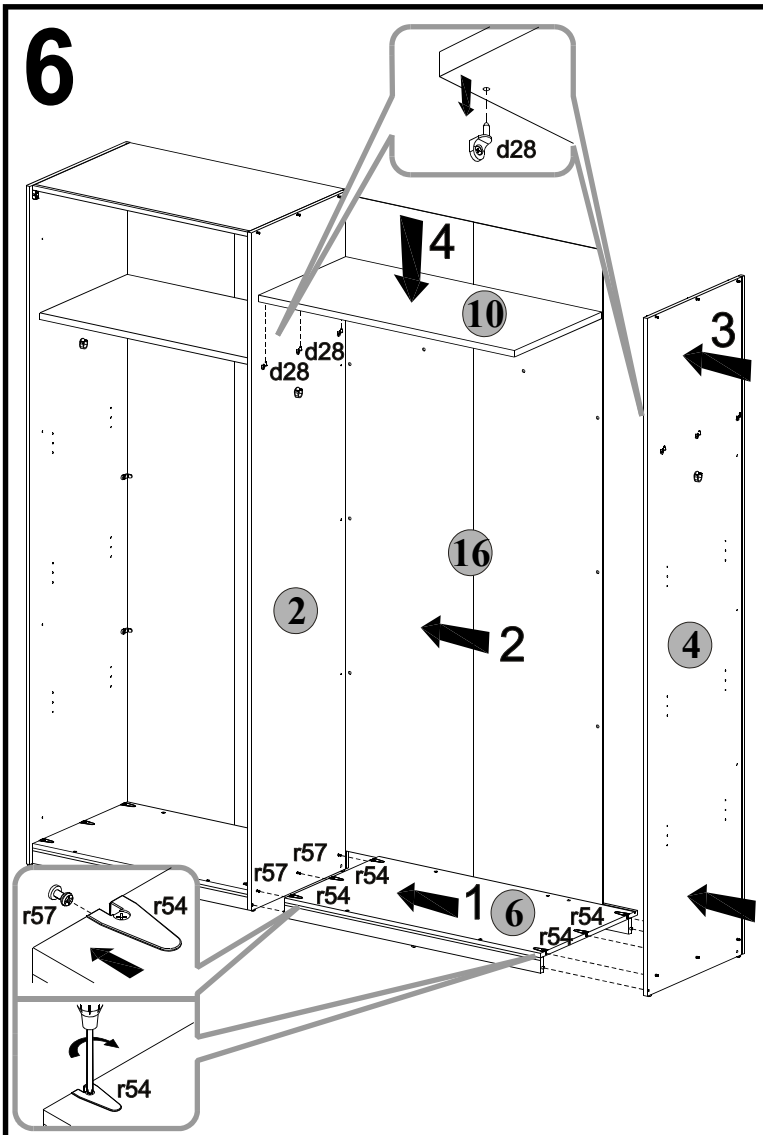
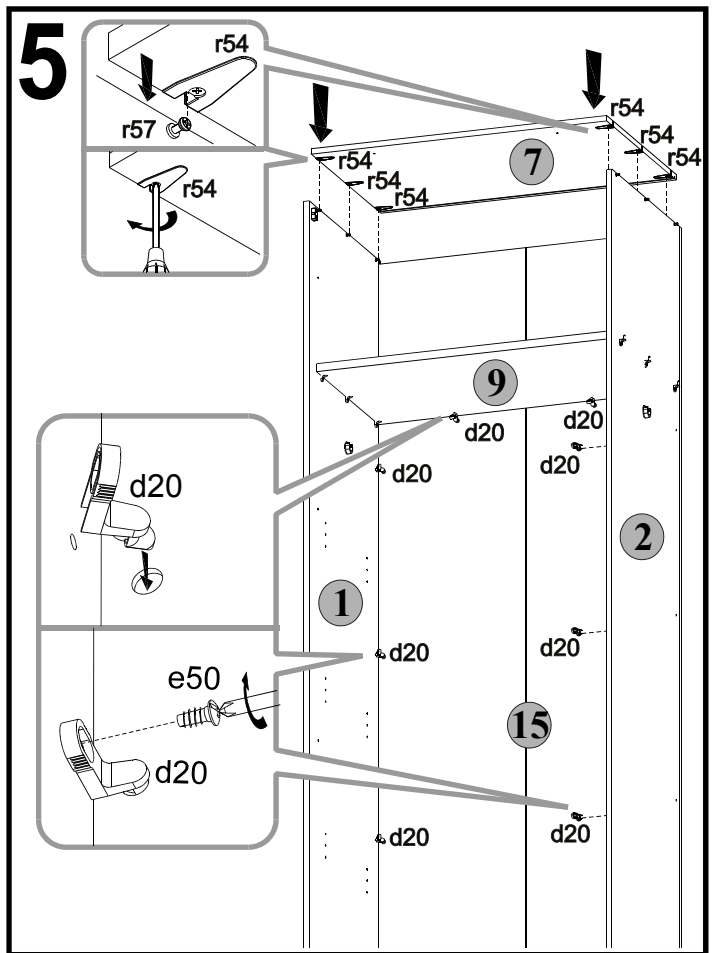
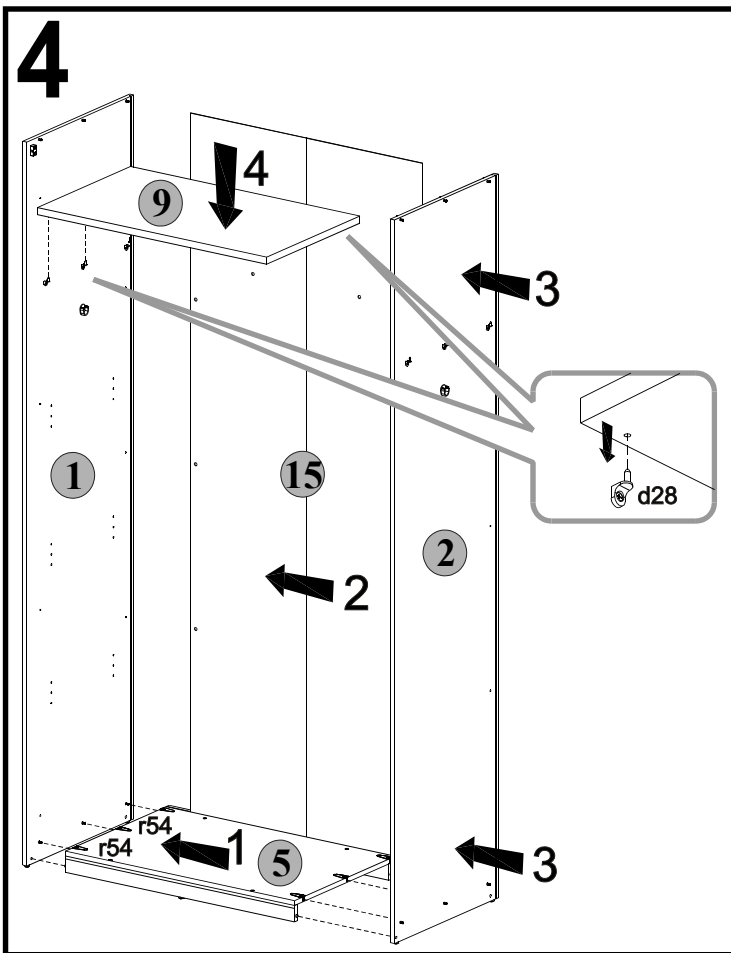


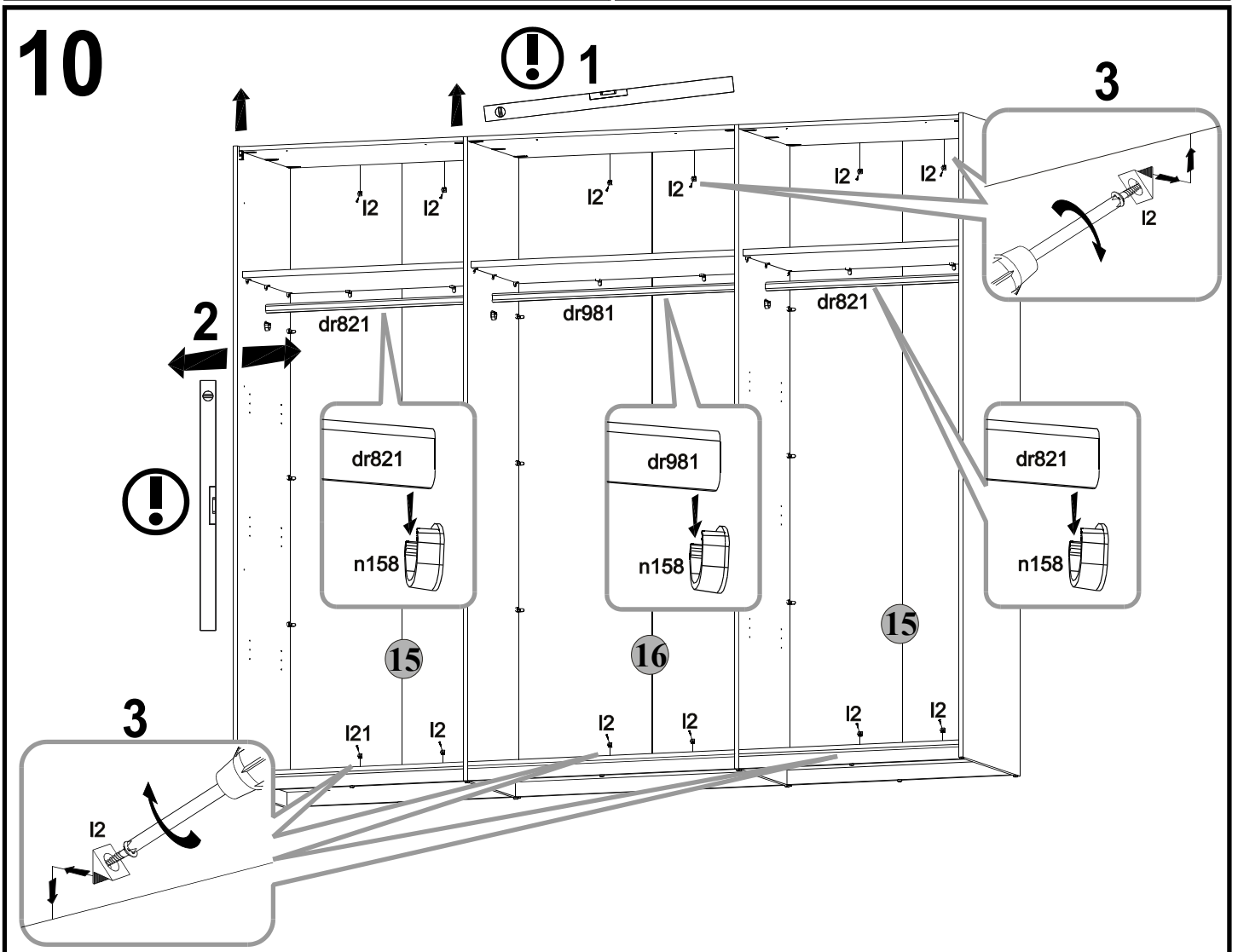
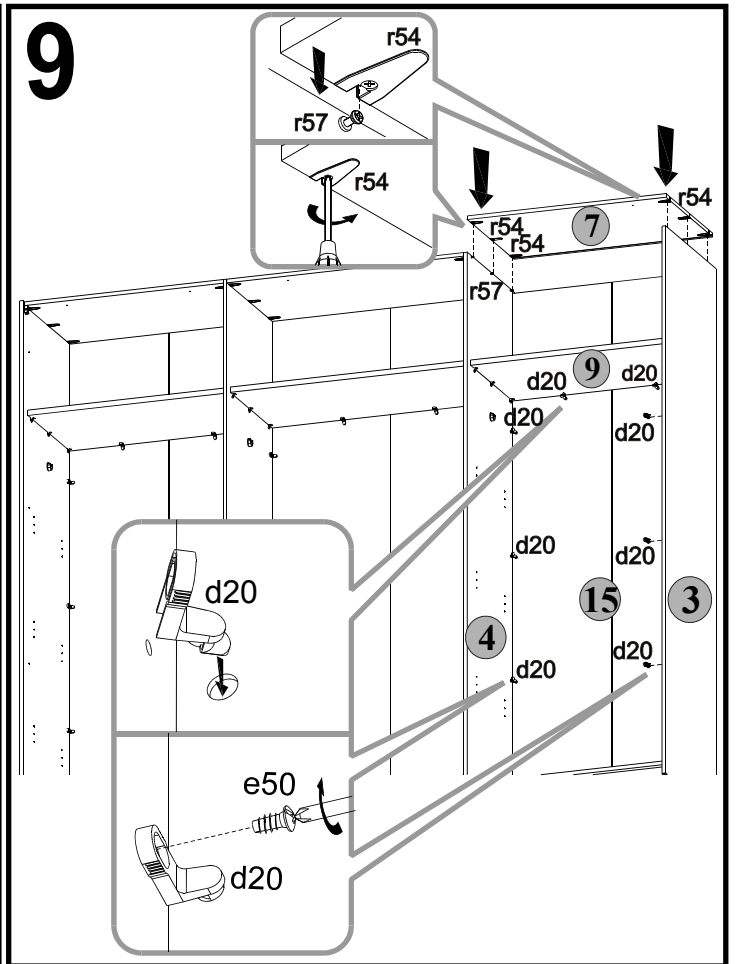
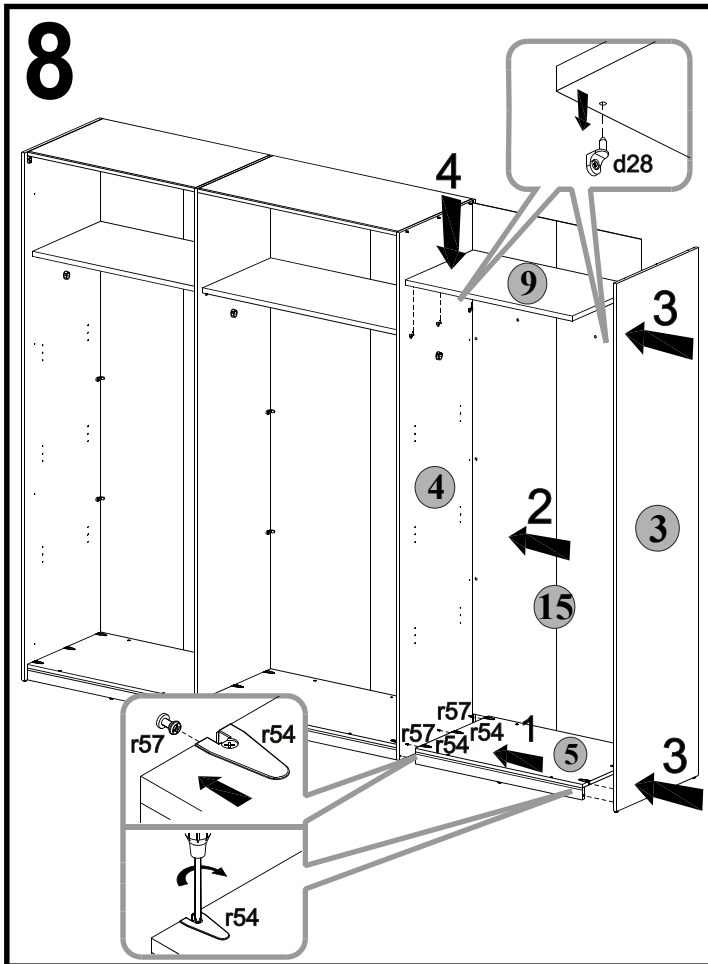
# 2



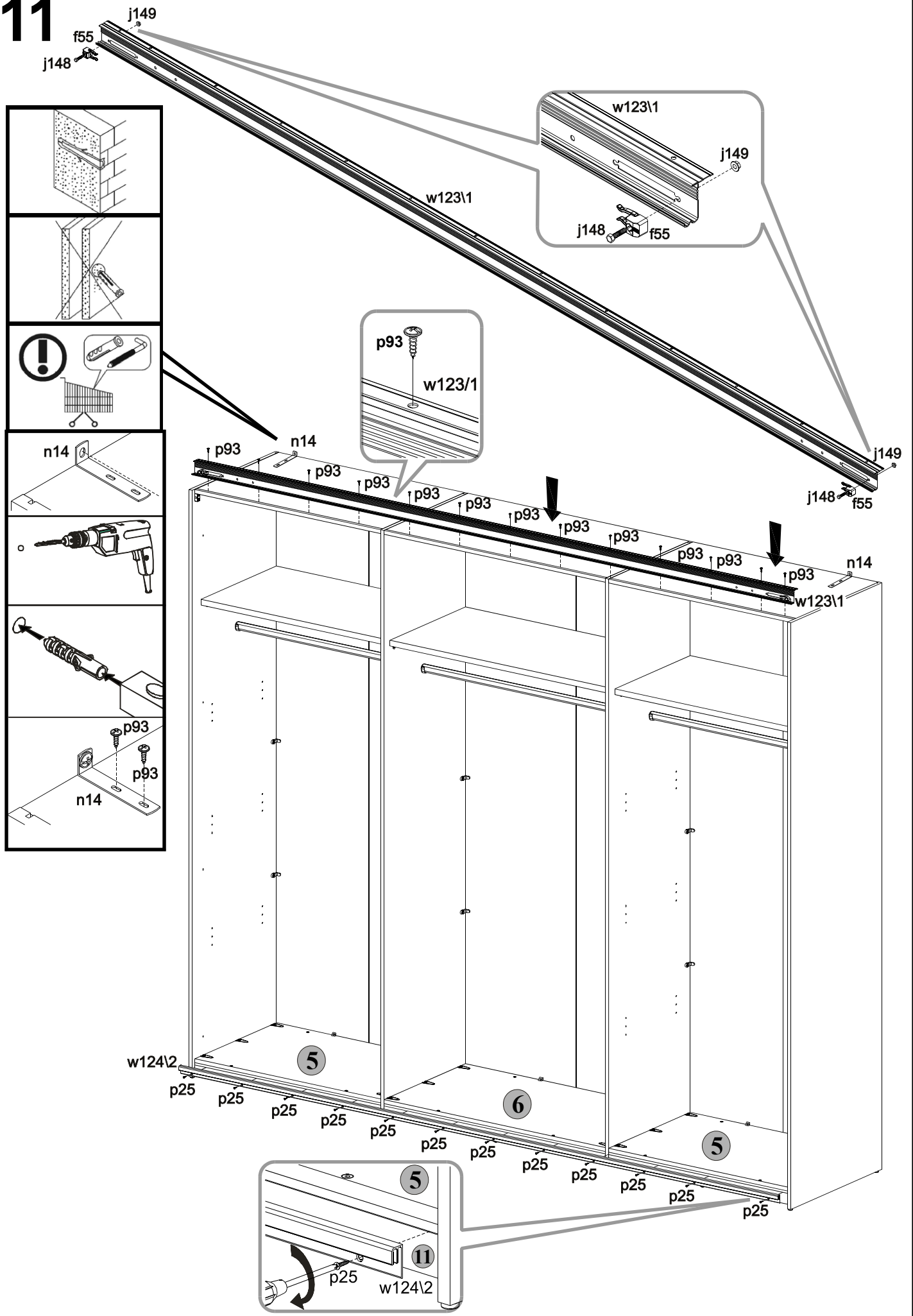
# 3



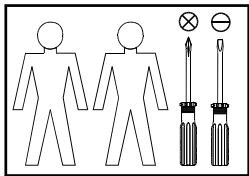
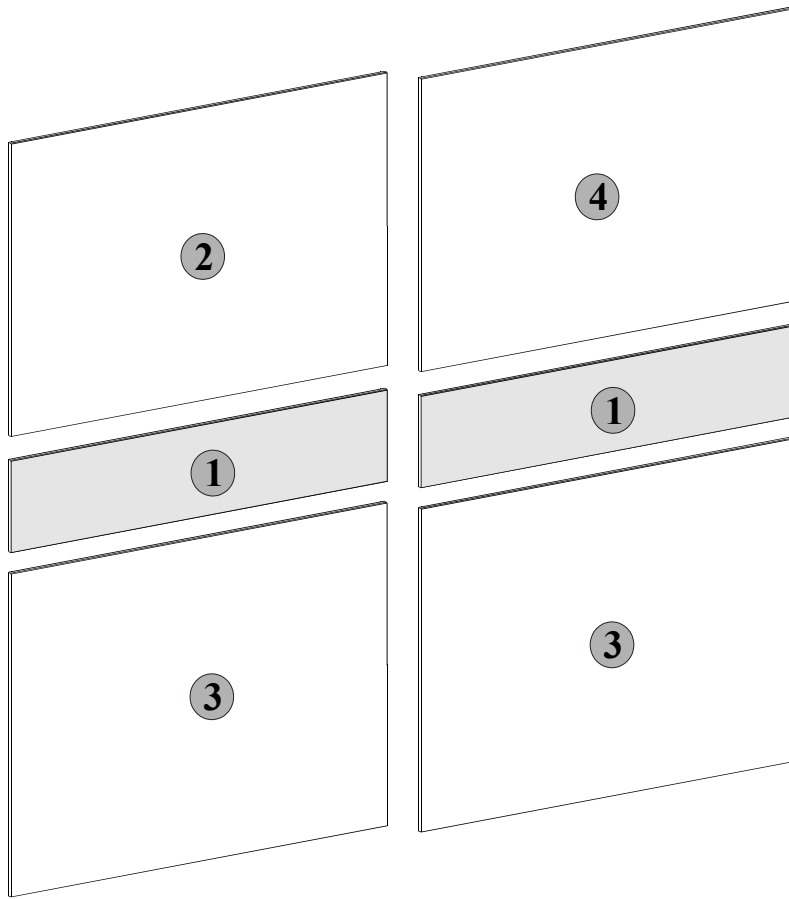
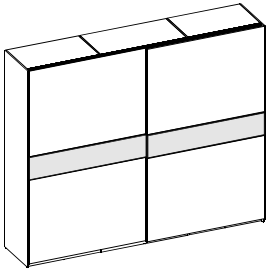




# 11



# 58-100-D9



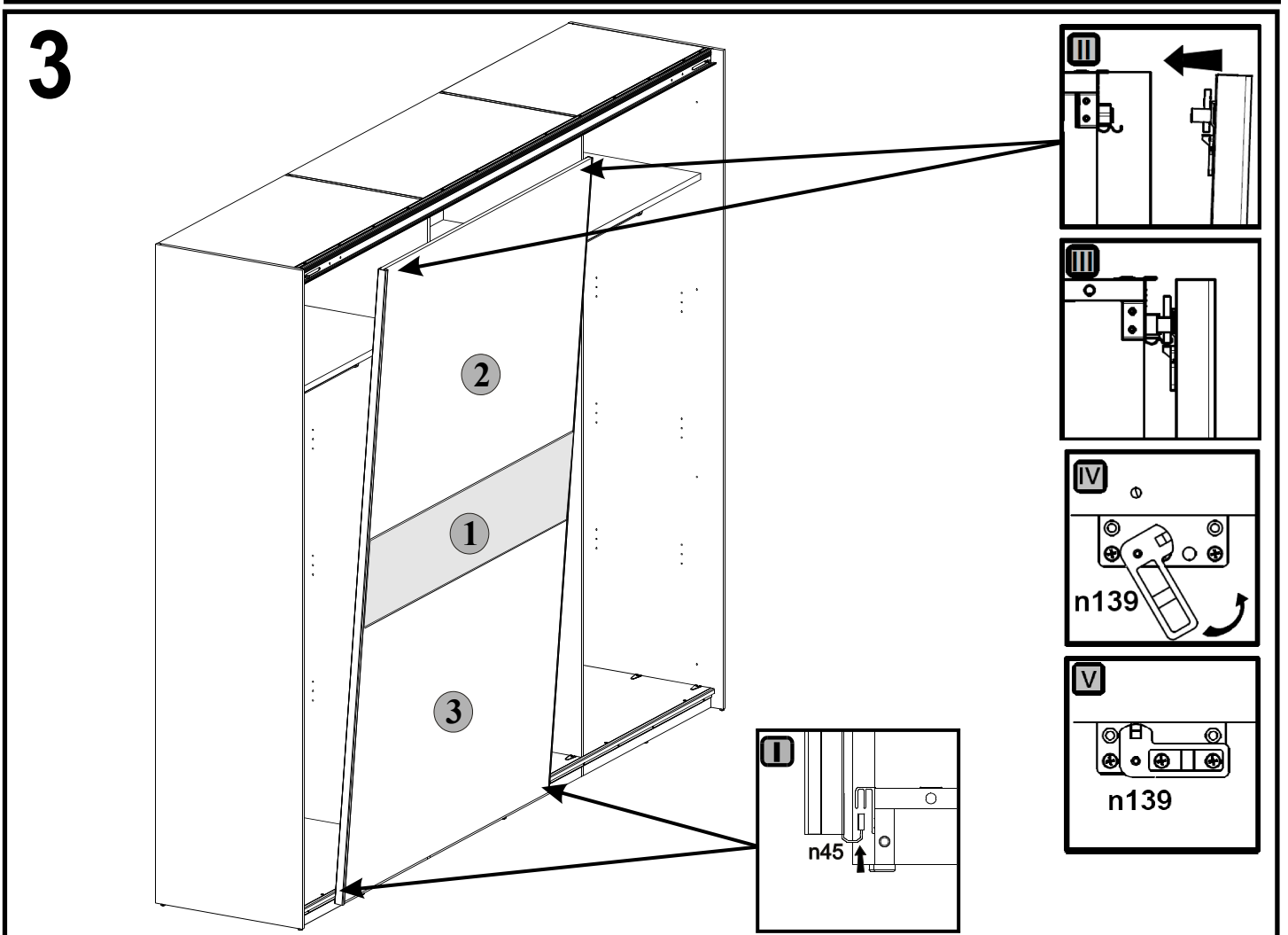
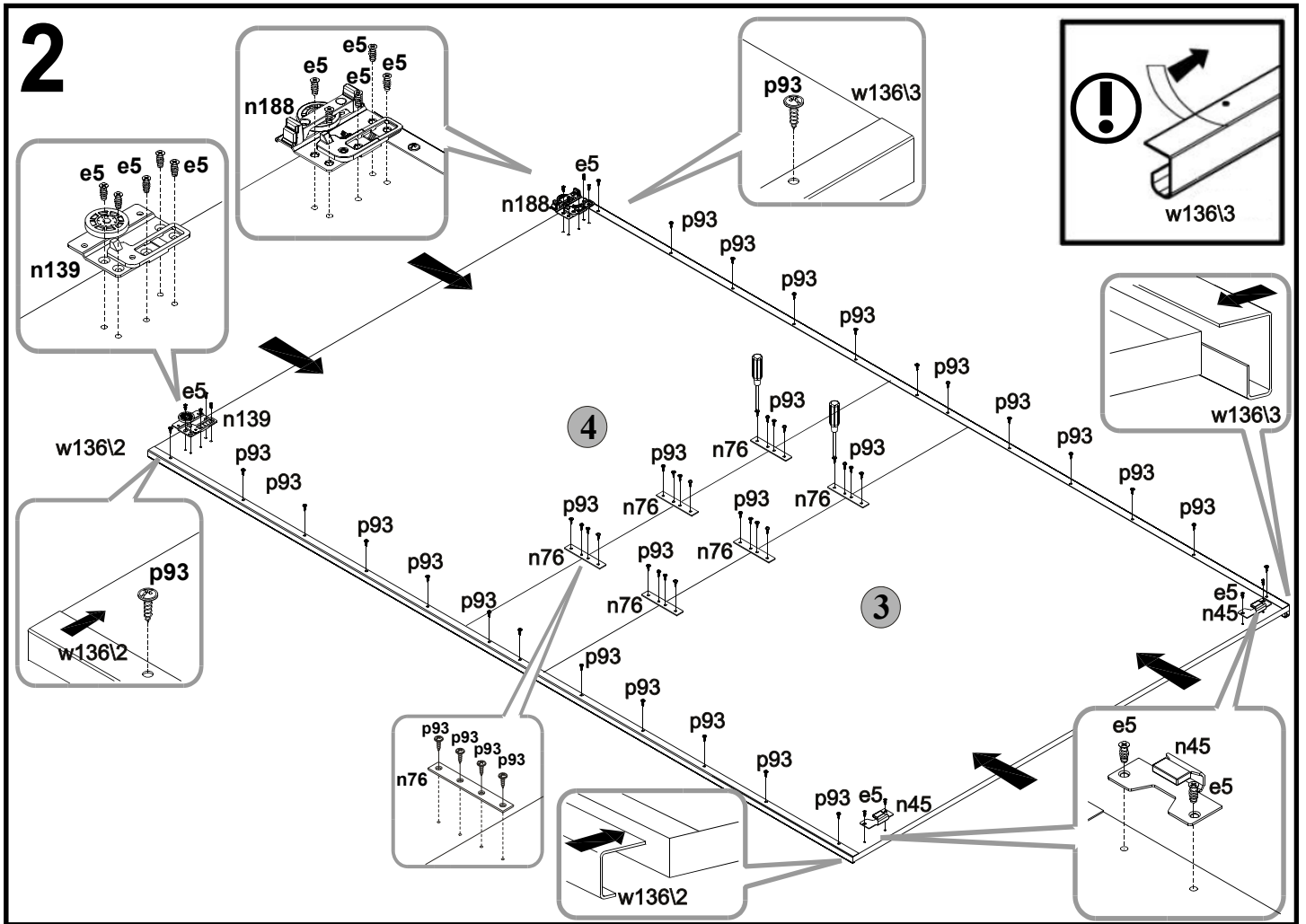
	A	B	C	D
1	F37-050	1362x230	5/7	
2	F37-051	1362x985	5/7	
3	F37-052	1362x985	6/7	
4	F37-053	1362x985	5/7	



1x L=2200mm w136\2	3x L=2200 w136\3	28x φ6.3x13 mm e5	12x 112x16\2mm n76
2x n188	1x n189	1x n139	2x n45
		2x n46\3	96x φ4x13 mm p93







4

