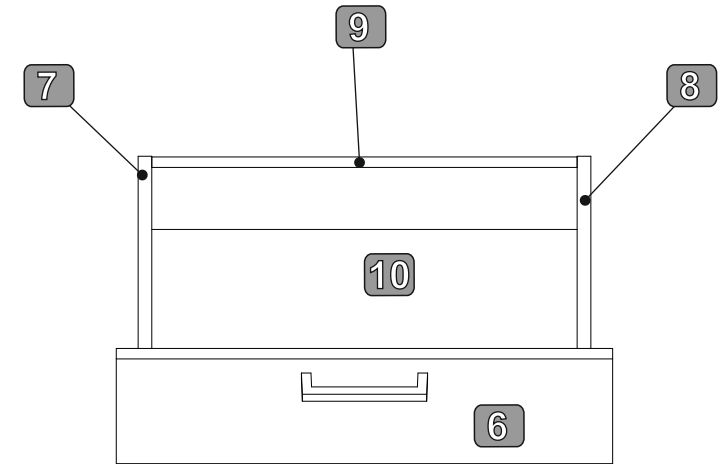
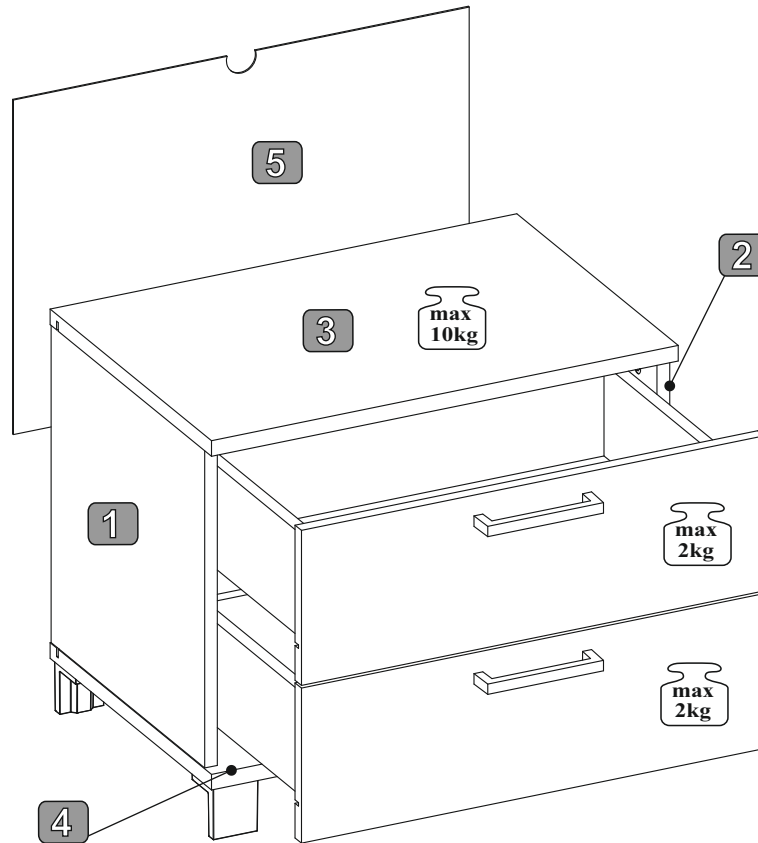


| NR | DIM | QTE | COLLI |
|----|------------|-----|-------|
| 1 | 367x362x15 | 1 | 1/1 |
| 2 | 367x362x15 | 1 | 1/1 |
| 3 | 550x380x18 | 1 | 1/1 |
| 4 | 550x380x18 | 1 | 1/1 |
| 5 | 537x386x2 | 1 | 1/1 |
| 6 | 545x179x15 | 2 | 1/1 |
| 7 | 300x120x15 | 2 | 1/1 |
| 8 | 300x120x15 | 2 | 1/1 |
| 9 | 467x120x15 | 2 | 1/1 |
| 10 | 478x297x2 | 2 | 1/1 |

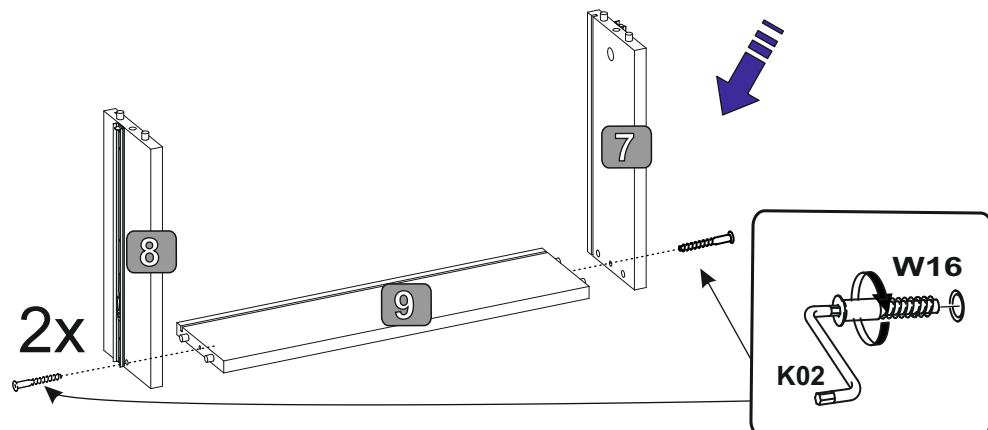
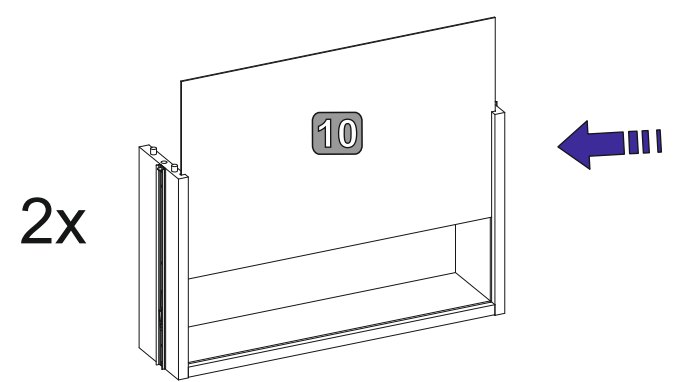
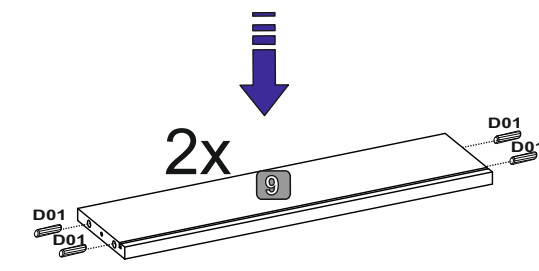
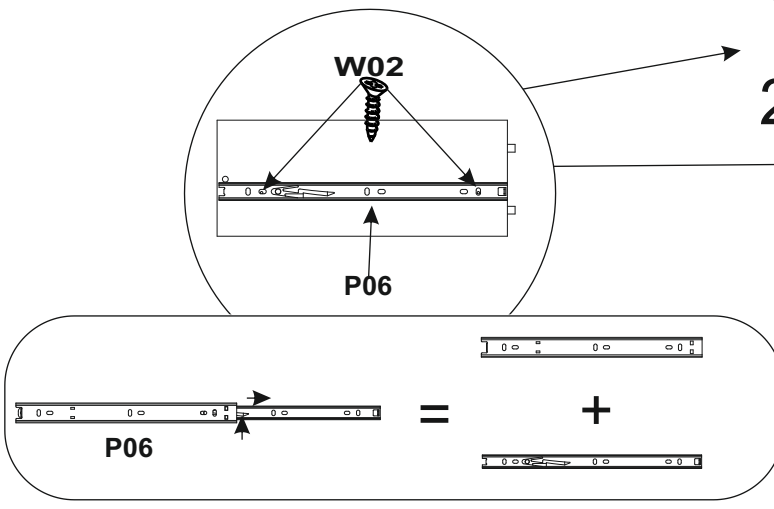
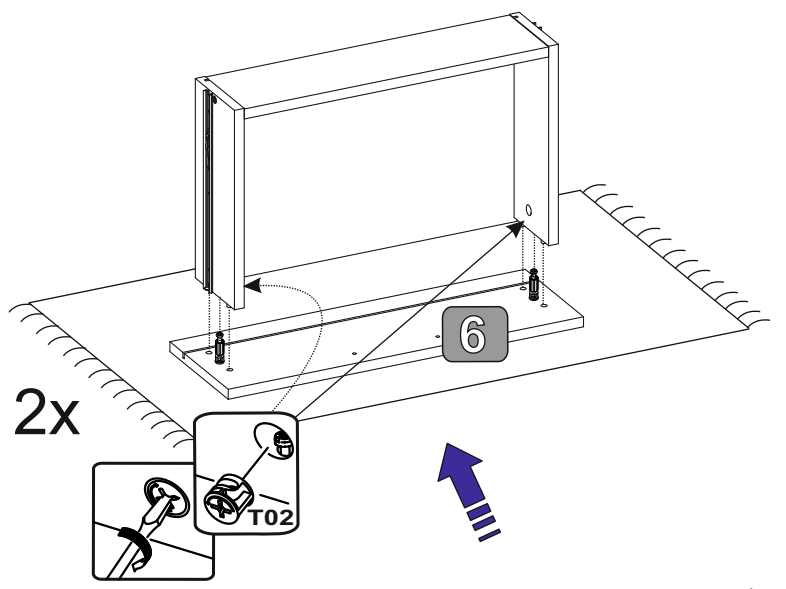
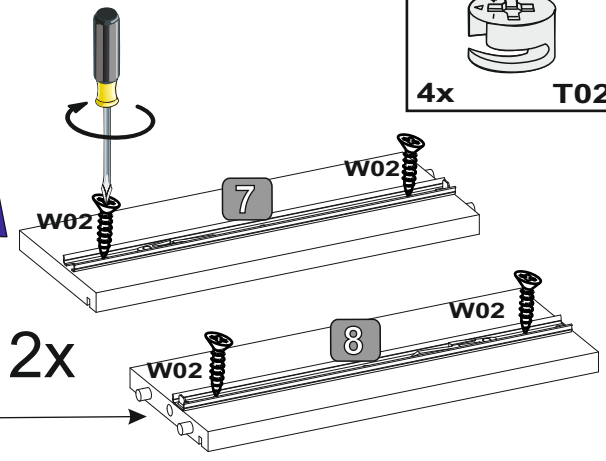
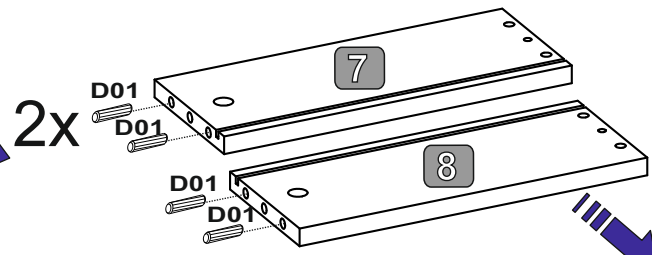
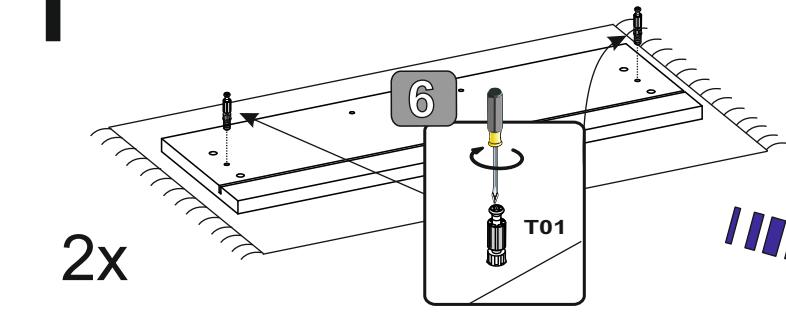


0 10 20 30 40 50 60 70 80 90 100 110 120 130 140 150 160 170 180 190 200

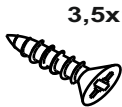

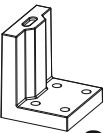
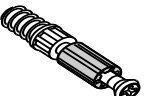
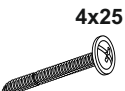
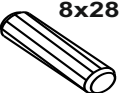


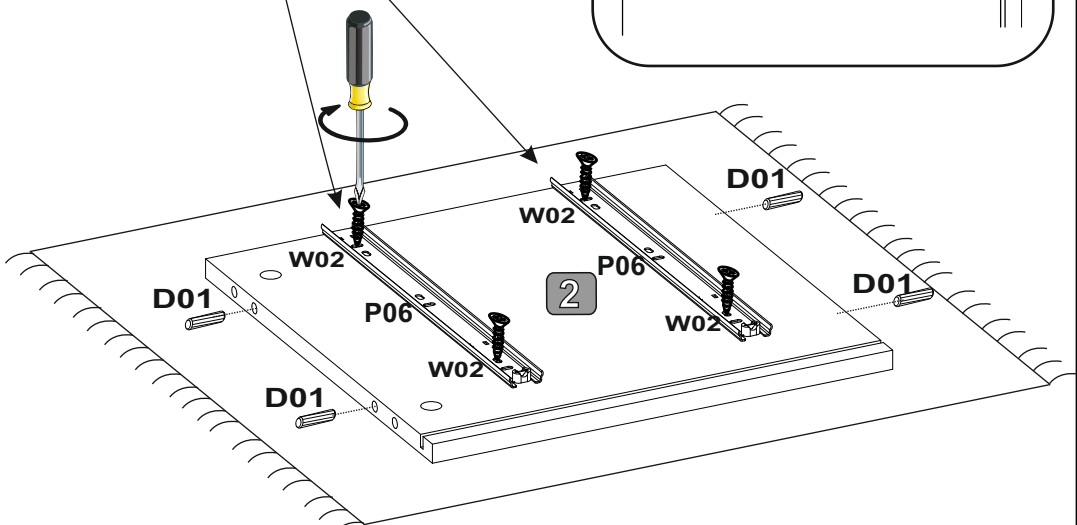
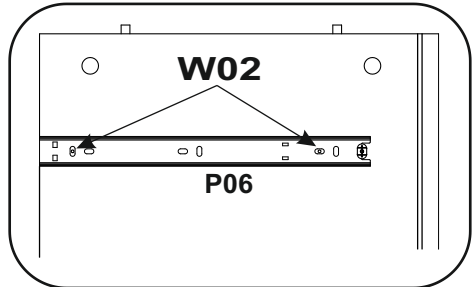
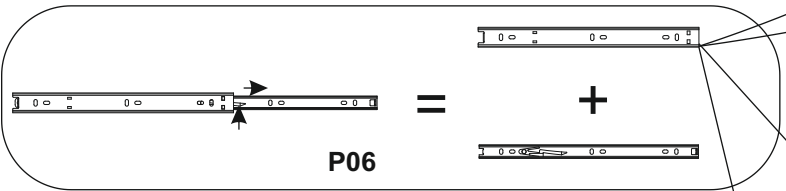
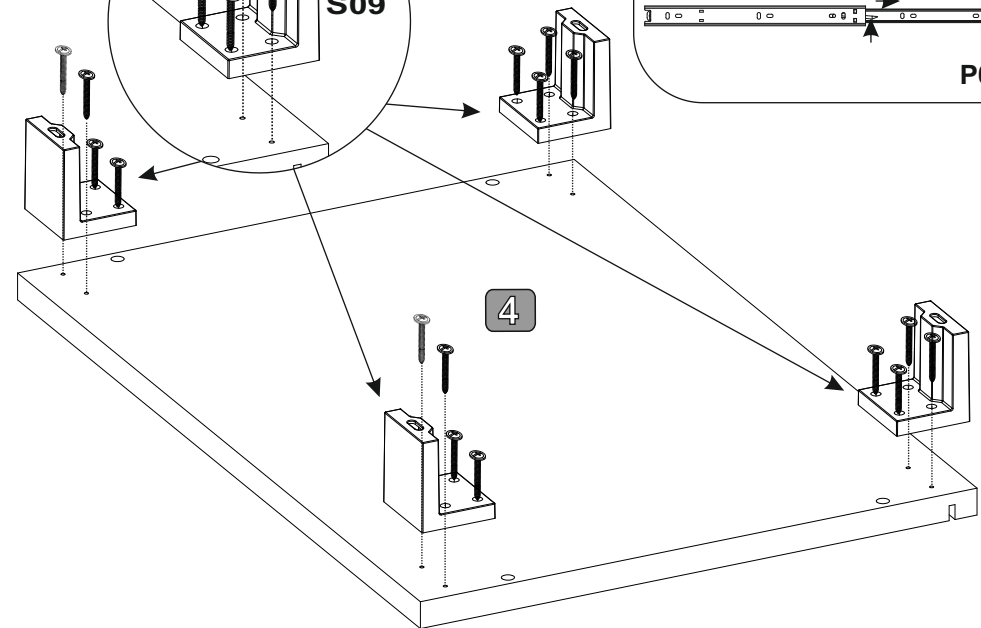
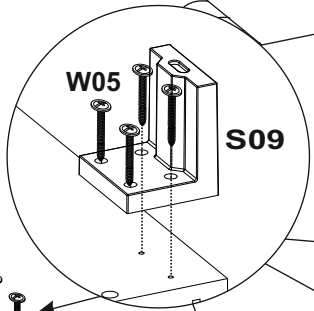
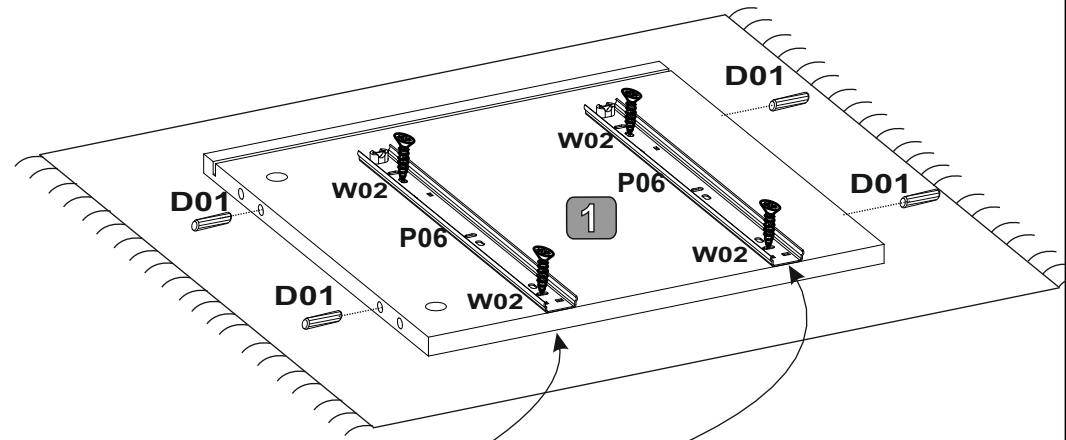
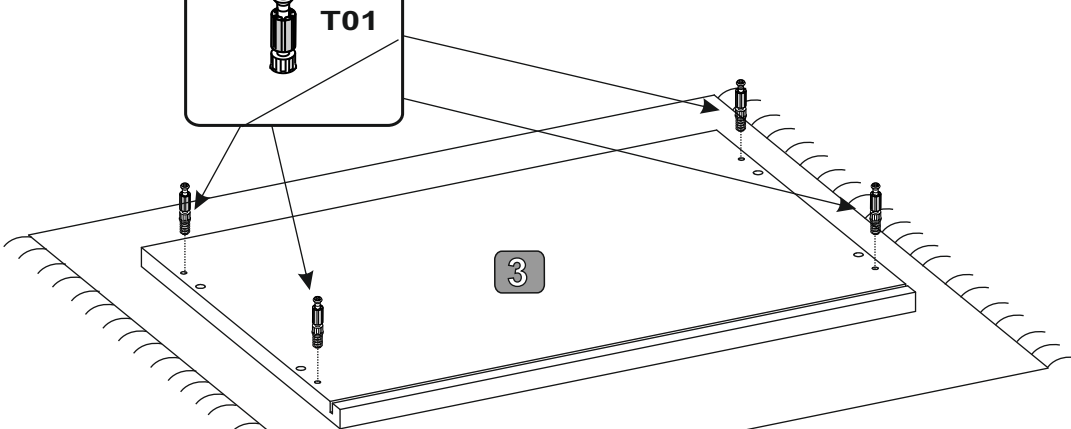
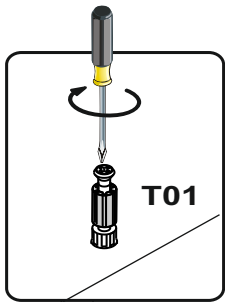
1

| | | | | | |
|-----------|-----------|-----------|------------|-----------|--------------------|
| 4x T01 | 1x K02 | 4x P06 | 16x D01 | 8x W02 | 4x W16 |
| | | | | | |
| | | | | | 15x12 4x T02 |
| | | | | | |

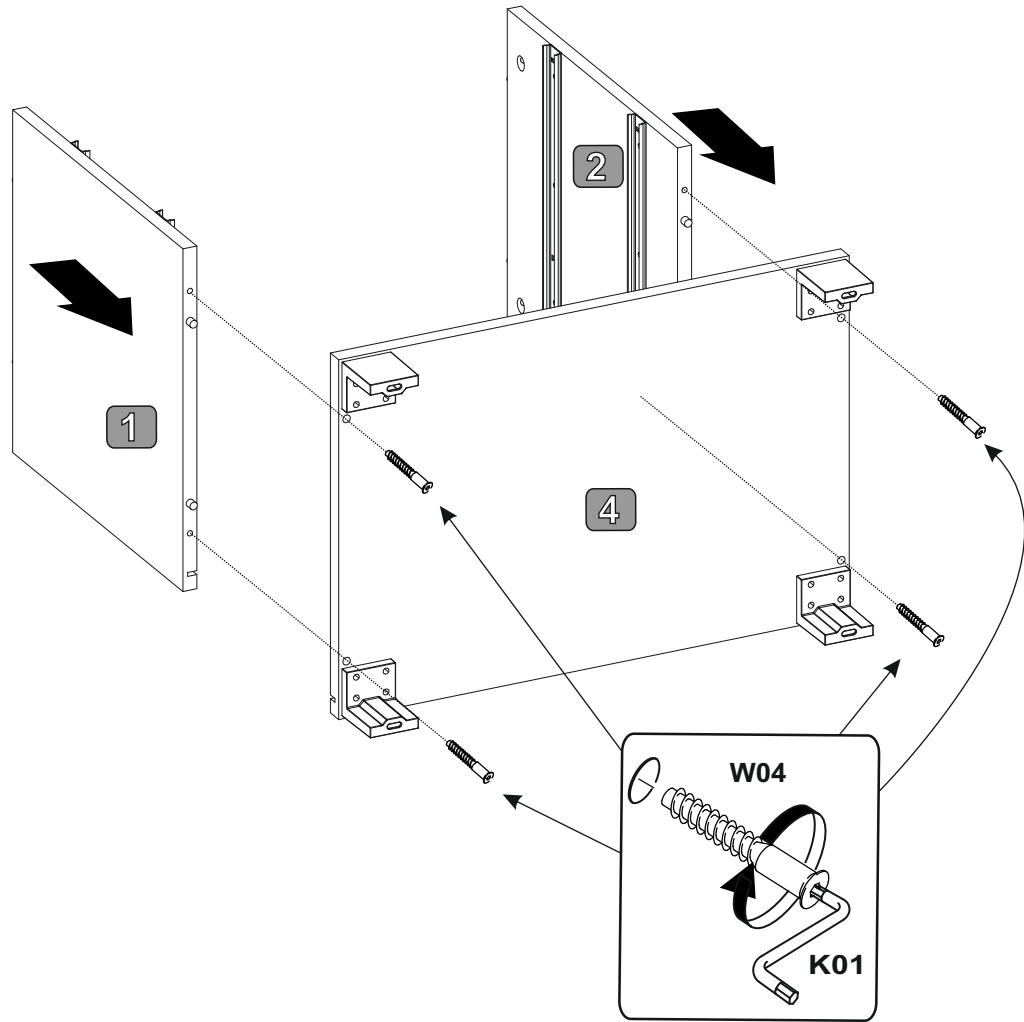
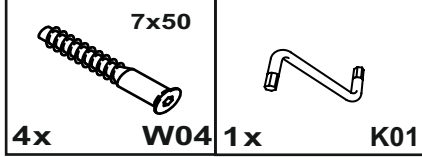


2

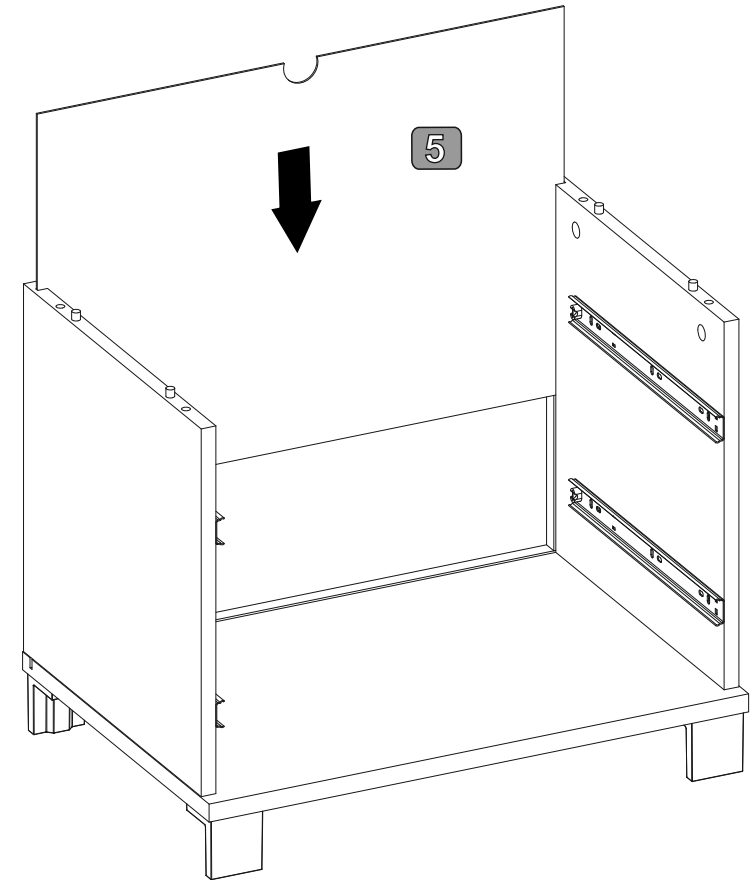
| | | | | | |
|---|--|---|--|--|---|
|  3,5x13 8x W02 |  P06 4x |  S09 4x |  T01 4x |  4x25 16x W05 |  8x28 8x D01 |
|---|--|---|--|--|---|



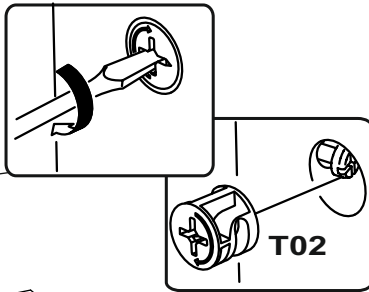
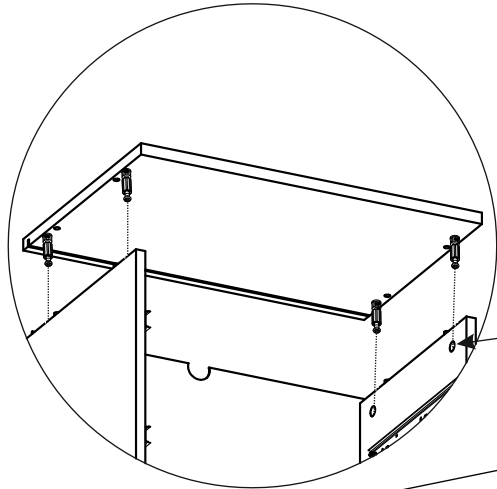
3



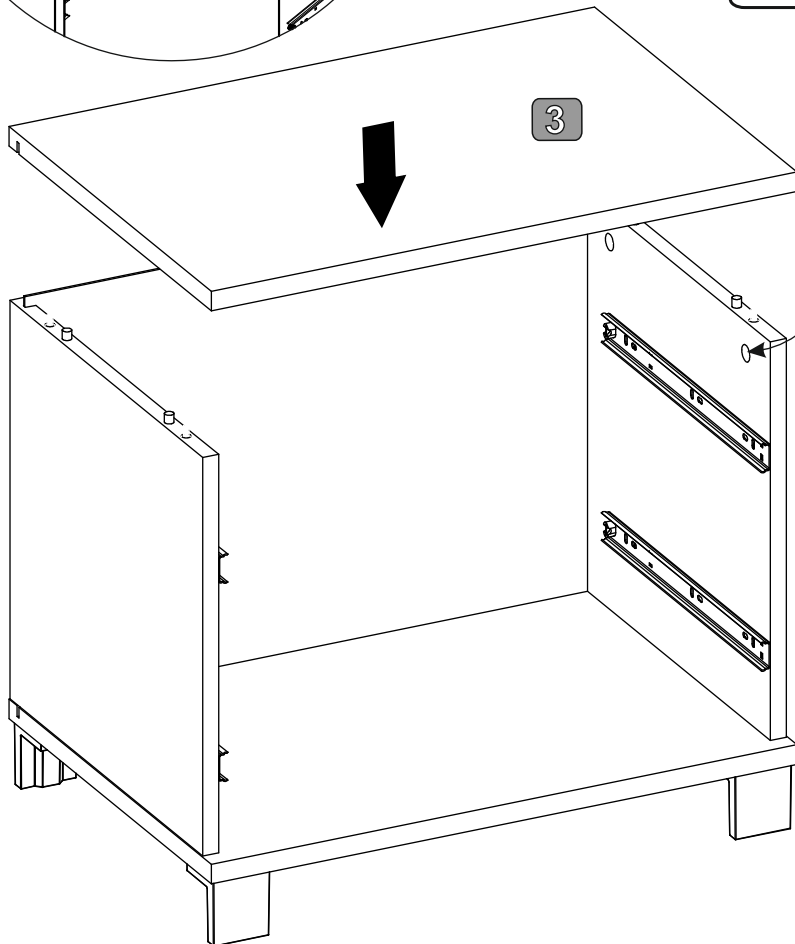
4



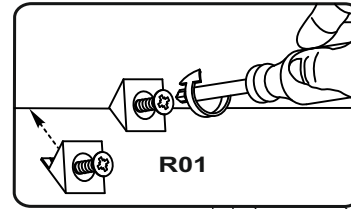
5



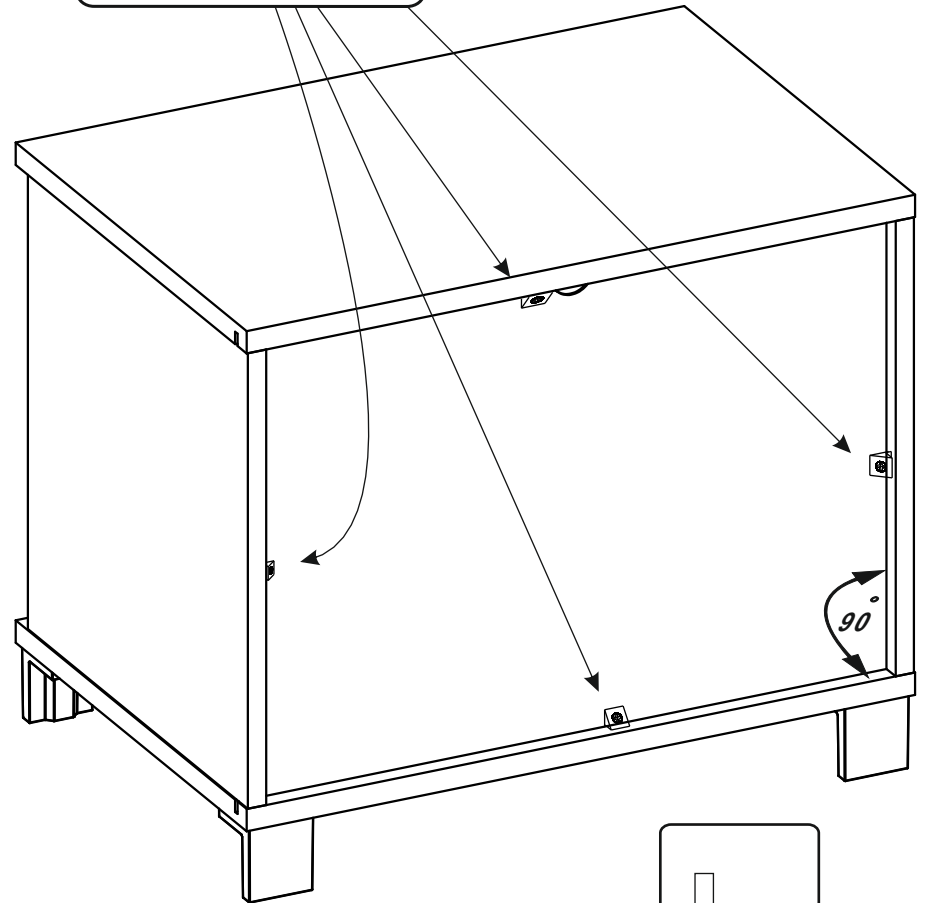
15x12
4x T02



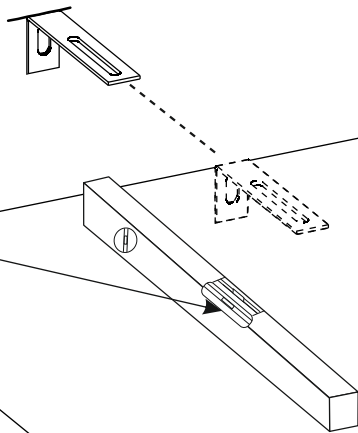
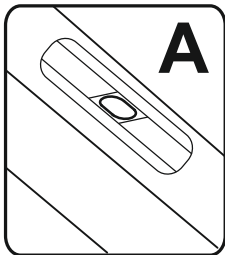
6

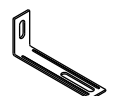





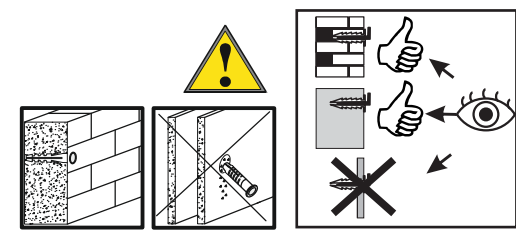
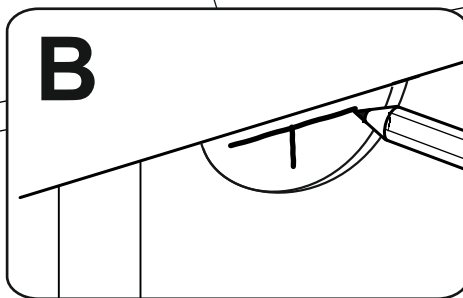
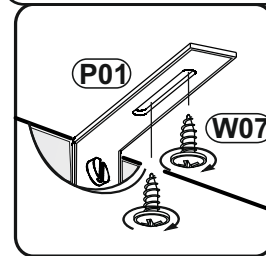
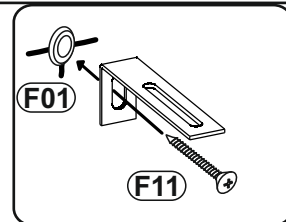
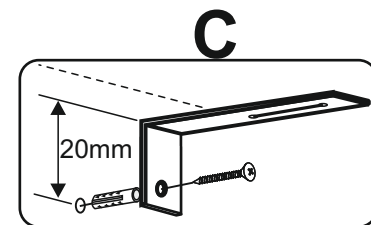
4x R01




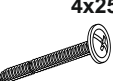
7



| | | | |
|--|--|--|--|
|  1 x P01 |  2 x W07 |  1 x F01 |  1 x F11 |
|--|--|--|--|



8

| | |
|---|---|
|  |  |
| 2x | 4x |
| U33 | W05 |

