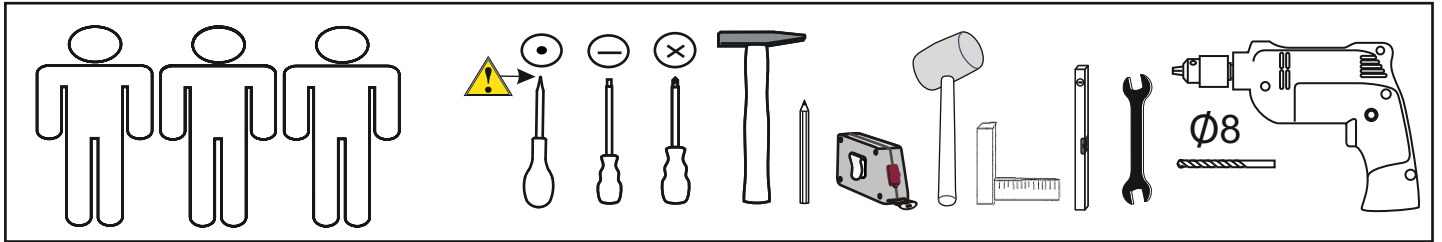


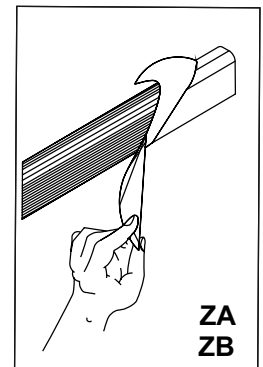
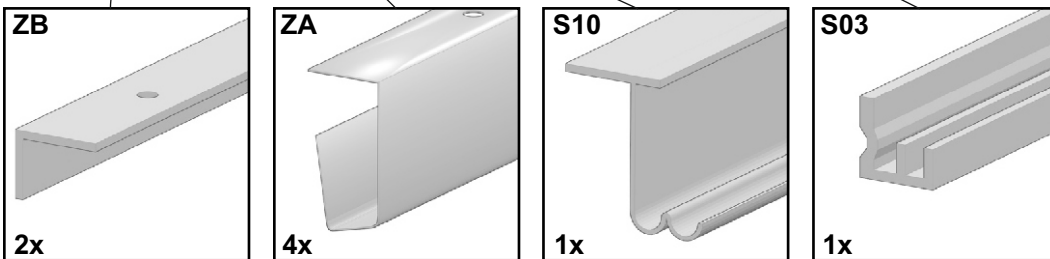
NR	DIM	QTE	COLLI
1	2095x551x15	1	2/6
2	2095x551x15	1	2/6
3	2094x535x15	1	3/6
4	2094x535x15	1	3/6
5	827x515x22	2	1/6
6	986x515x22	1	2/6
7	827x535x15	2	1/6
8	986x535x15	1	3/6
9	827x535x15	2	1/6
10	986x535x15	1	3/6
11	2033x834x2	2	2/6
12	2033x993x2	1	3/6
13	827x50x15	2	1/6
14	827x50x15	2	1/6
15	986x50x15	1	2/6
16	986x50x15	1	2/6
17	920x683x15	2	4/6
18	920x683x15	2	5/6
19	920x683x15	2	4/6
20	920x683x15	1	5/6
21	920x683x15	1	5/6
22	920x683x15	1	5/6
ZB	L-2050	2	6/6
ZA	L-2050	4	6/6
S10	L-2668	1	6/6
S03	L-2668	1	6/6

MALTA

58520



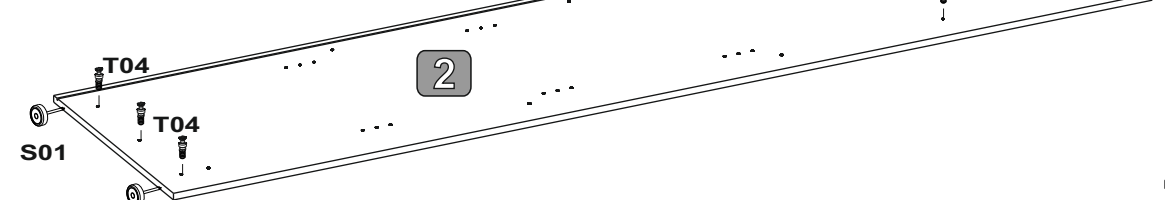
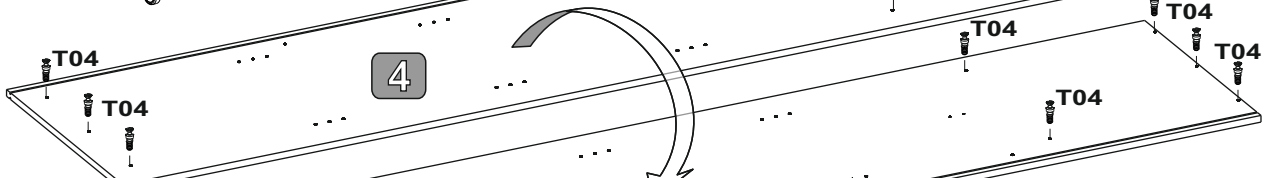
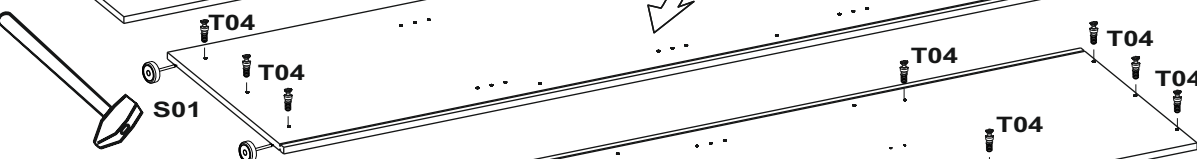
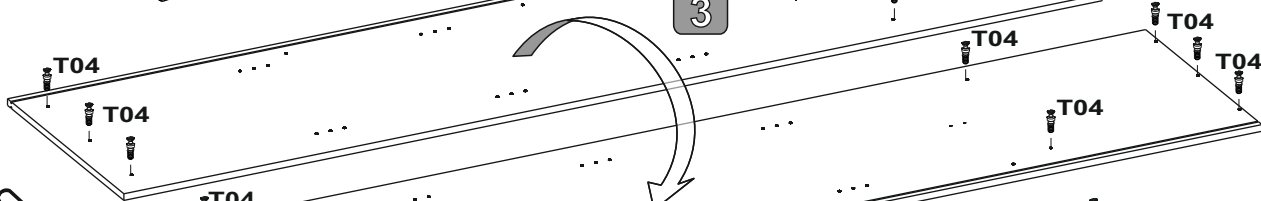
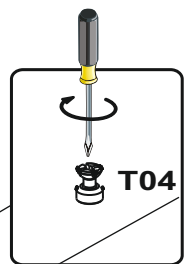
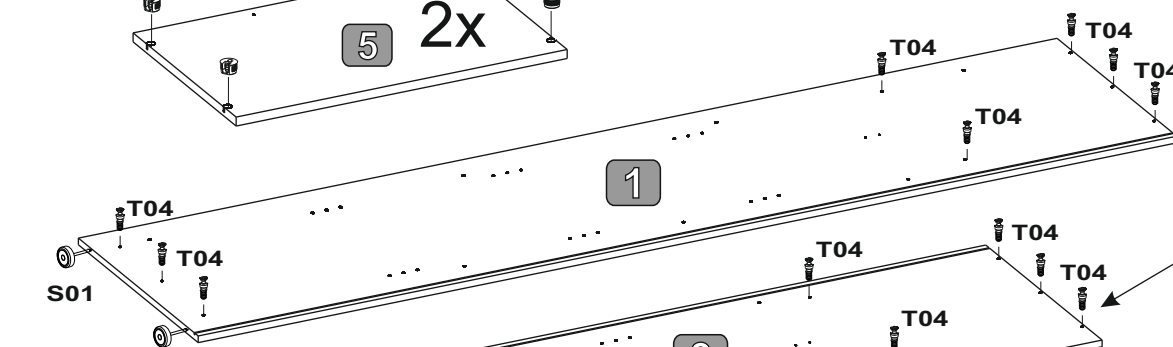
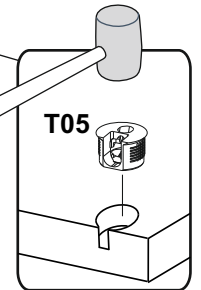
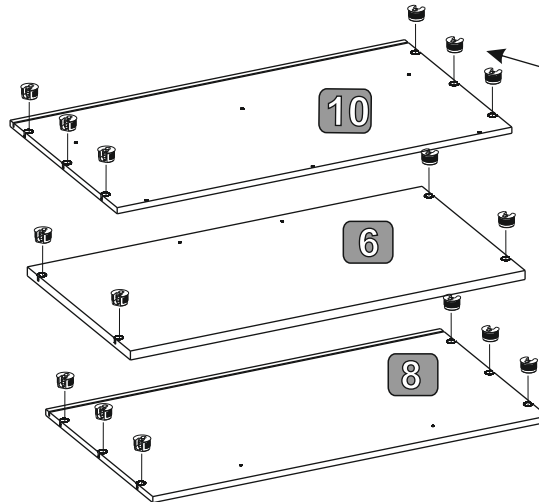
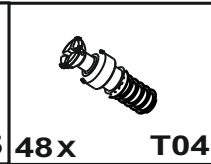
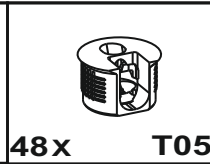
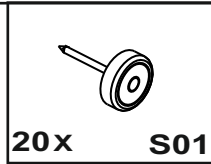
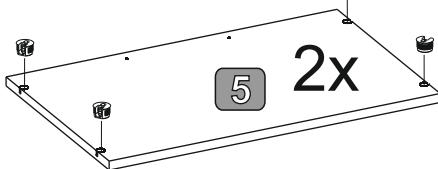
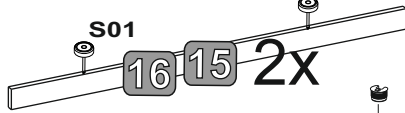
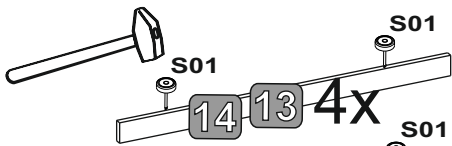
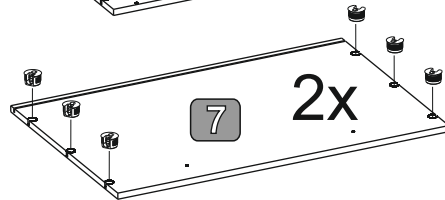
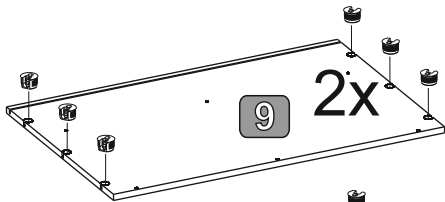
48x T05	48x T04	1x K01	18x W16 5x40	18x C02	36x R01	24x R02
24x W20 6,3x10	20x S01	6x E03	1x J01 L-978	2x J02 L-818	163x W02 3,5x13	42x W12 6x11
2x P-10	2x P-07	2x P-09	4x P-06	2x P-08	2x F-02	1x POZ
13x W05 3,5x13	2x P01	4x W07 4x13	2x F01	2x F11	1x G-02 L+R	18x W08
8x H-37 ZA2						



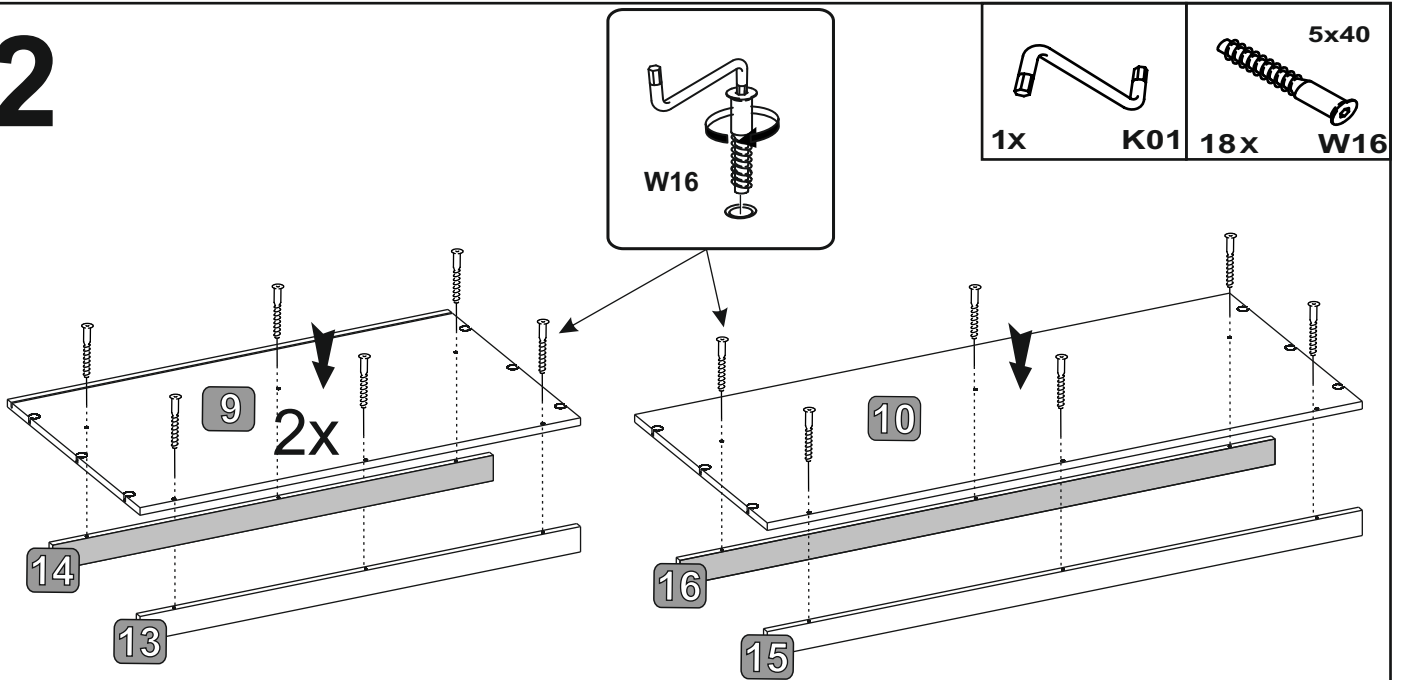
0 10 20 30 40 50 60 70 80 90 100



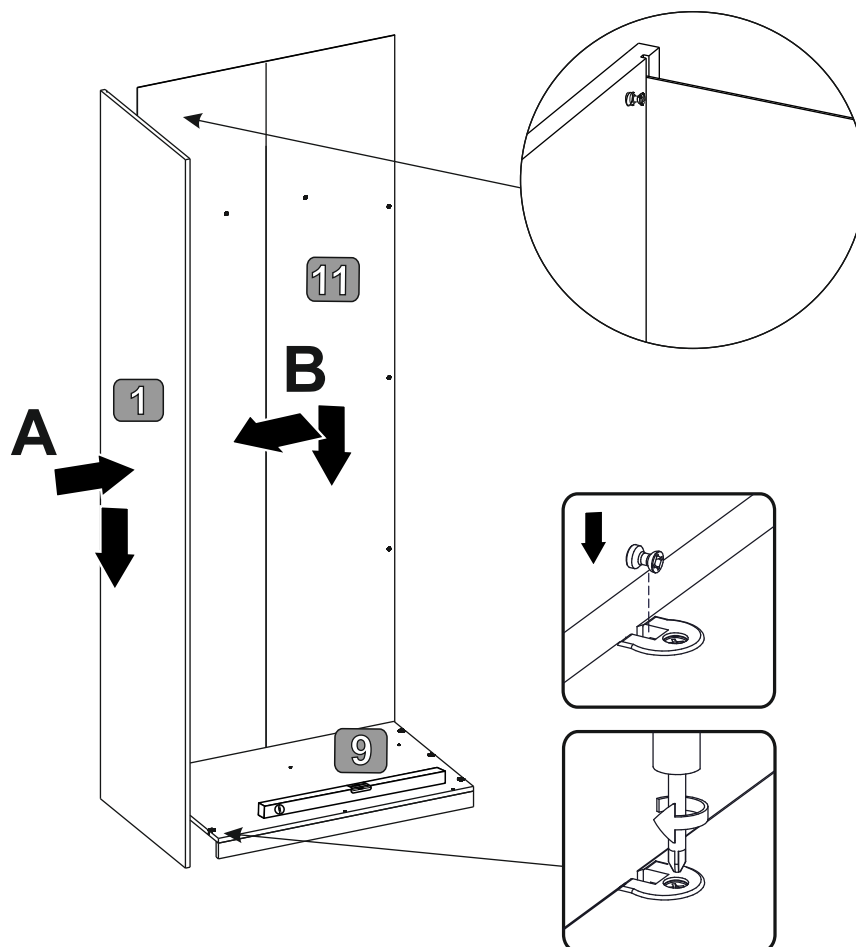
1



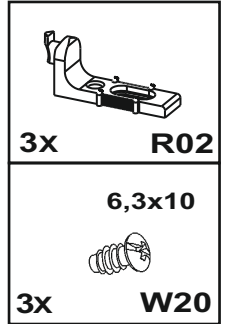
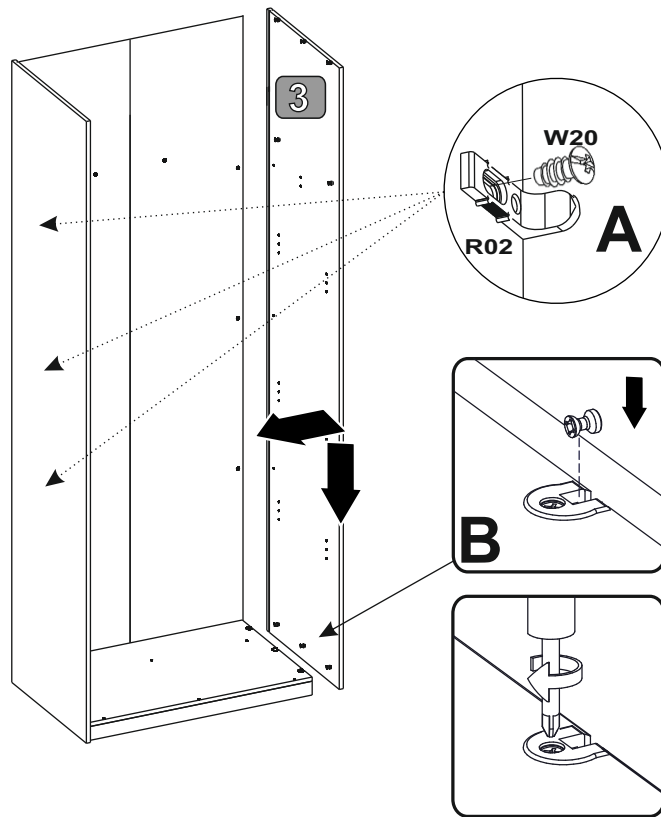
2



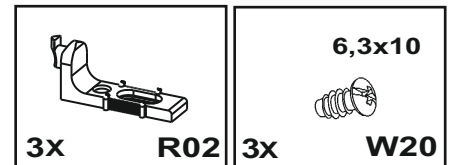
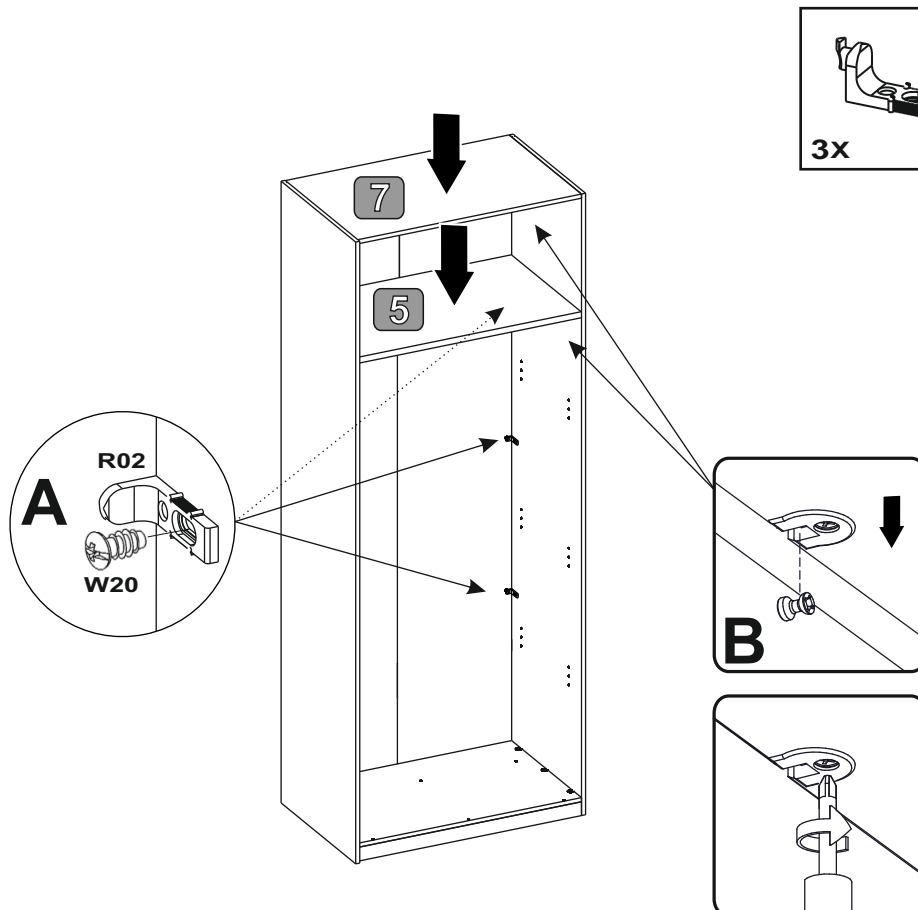
3



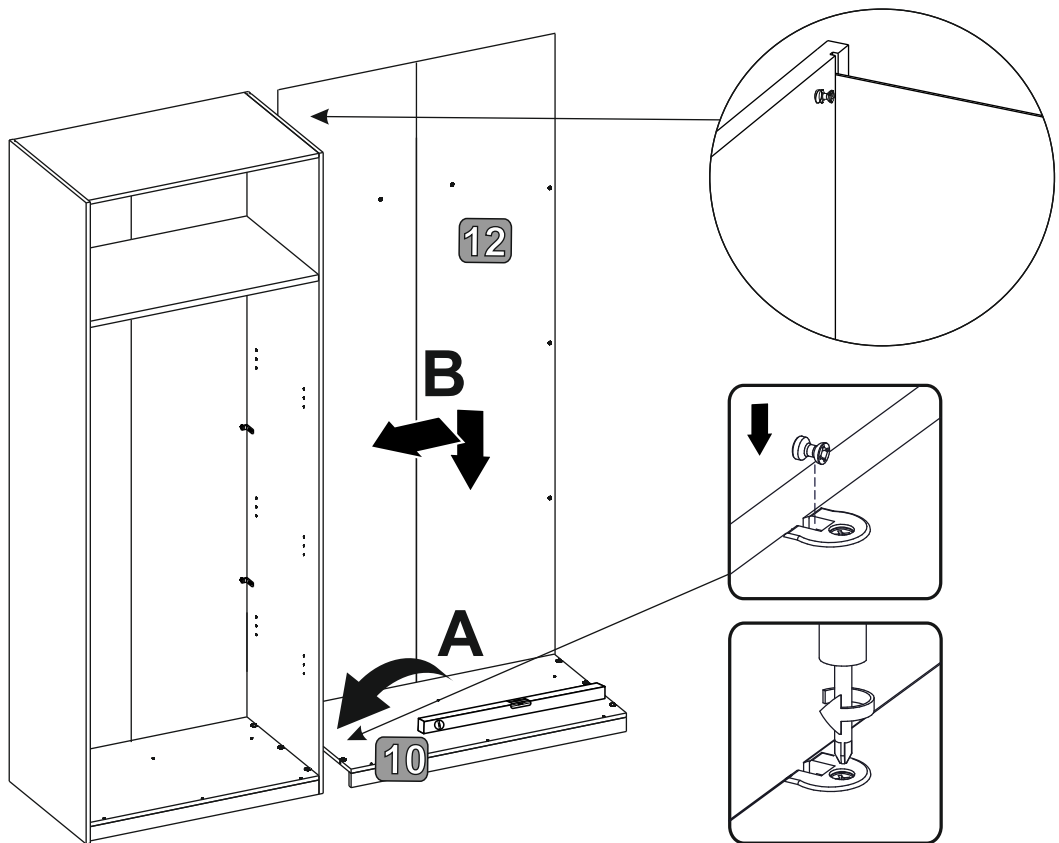
4



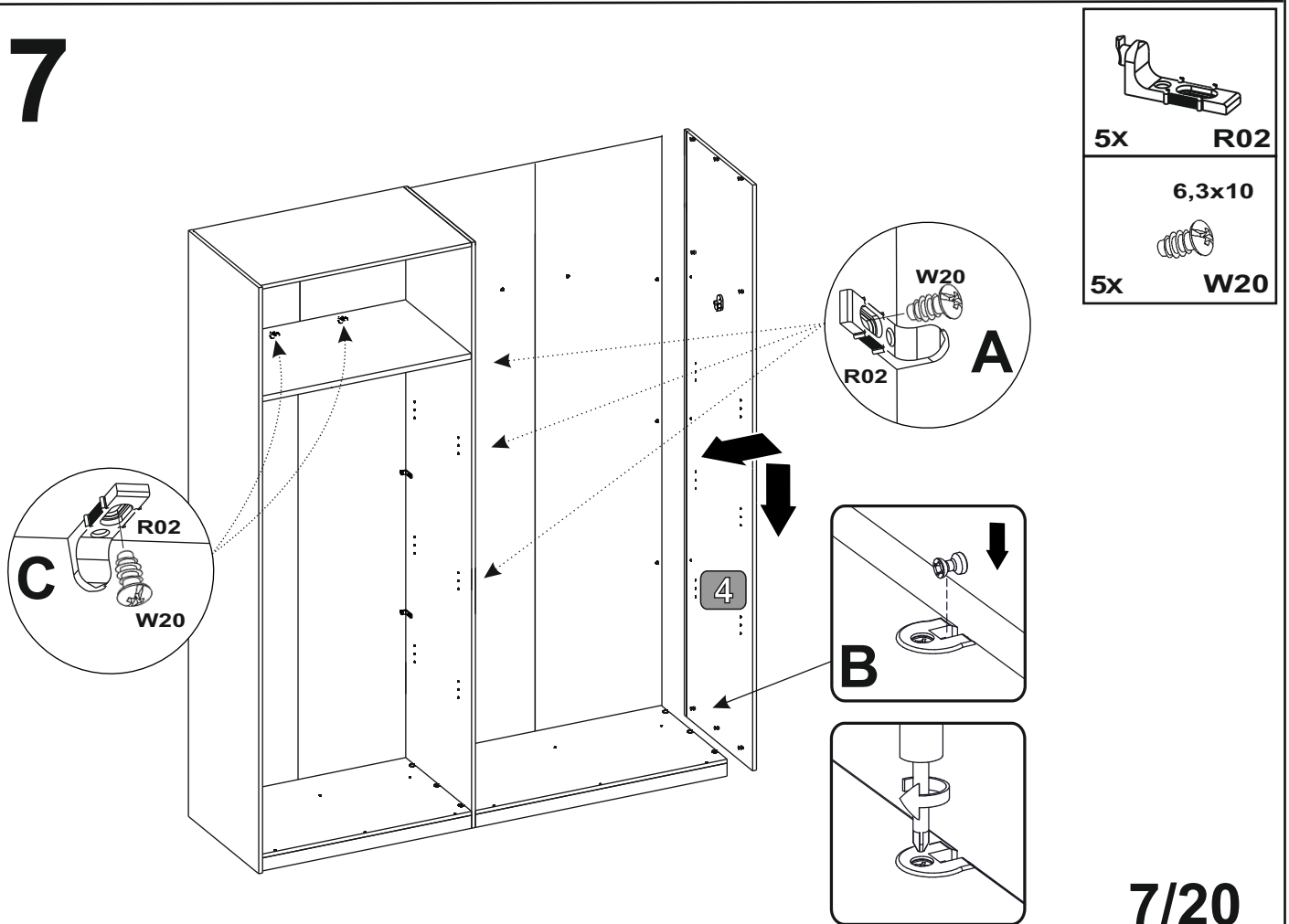
5



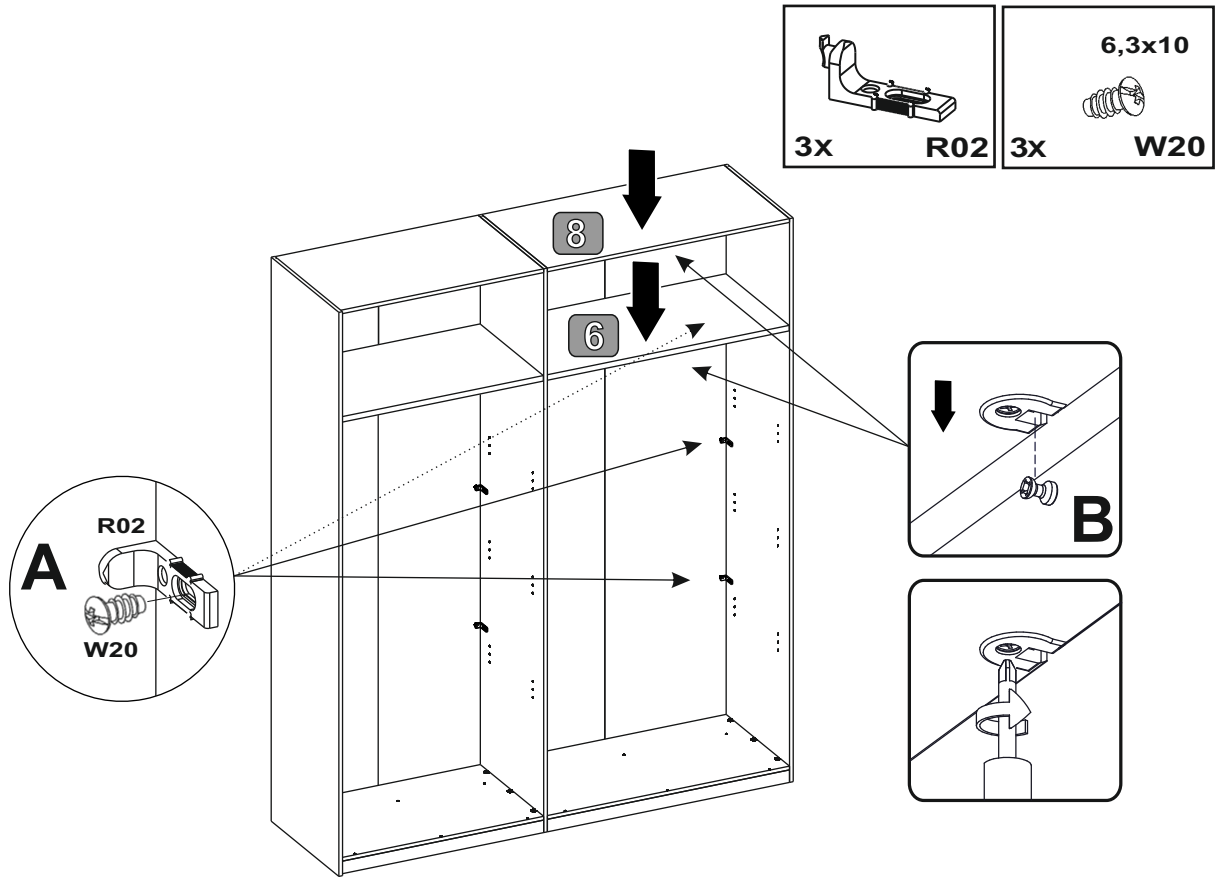
6



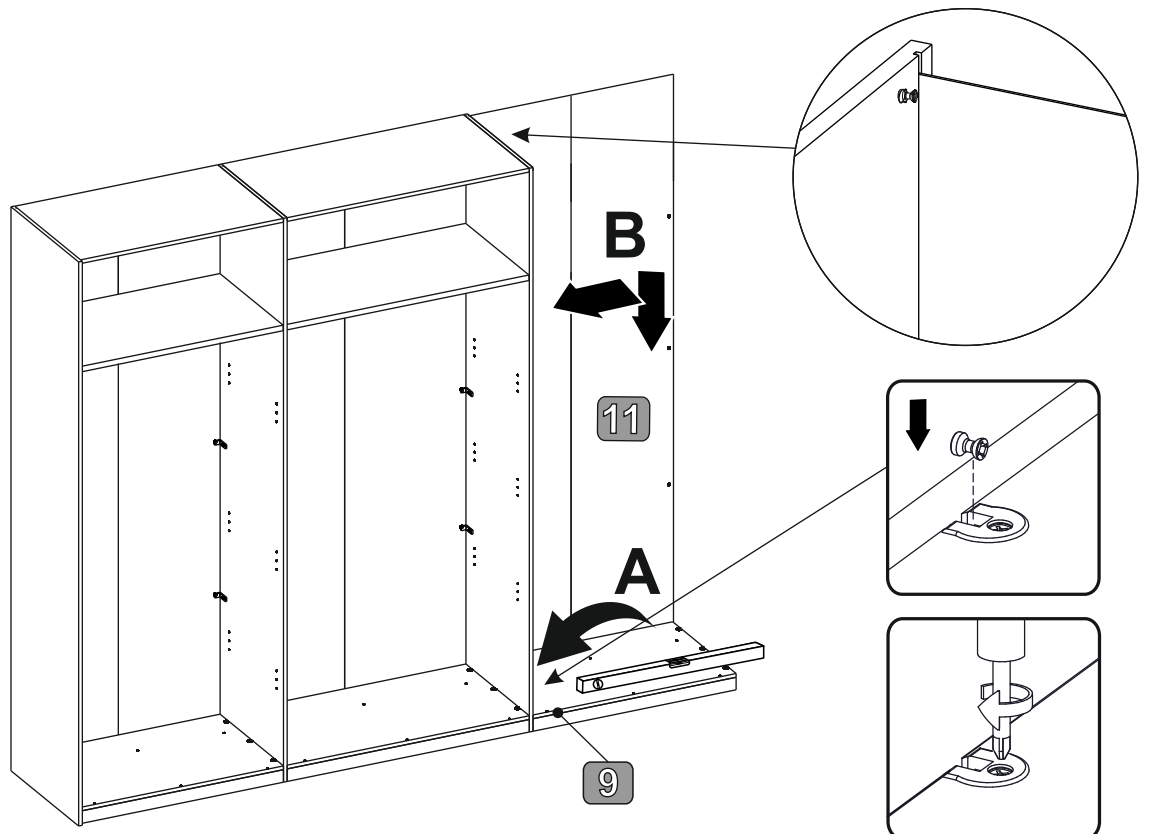
7



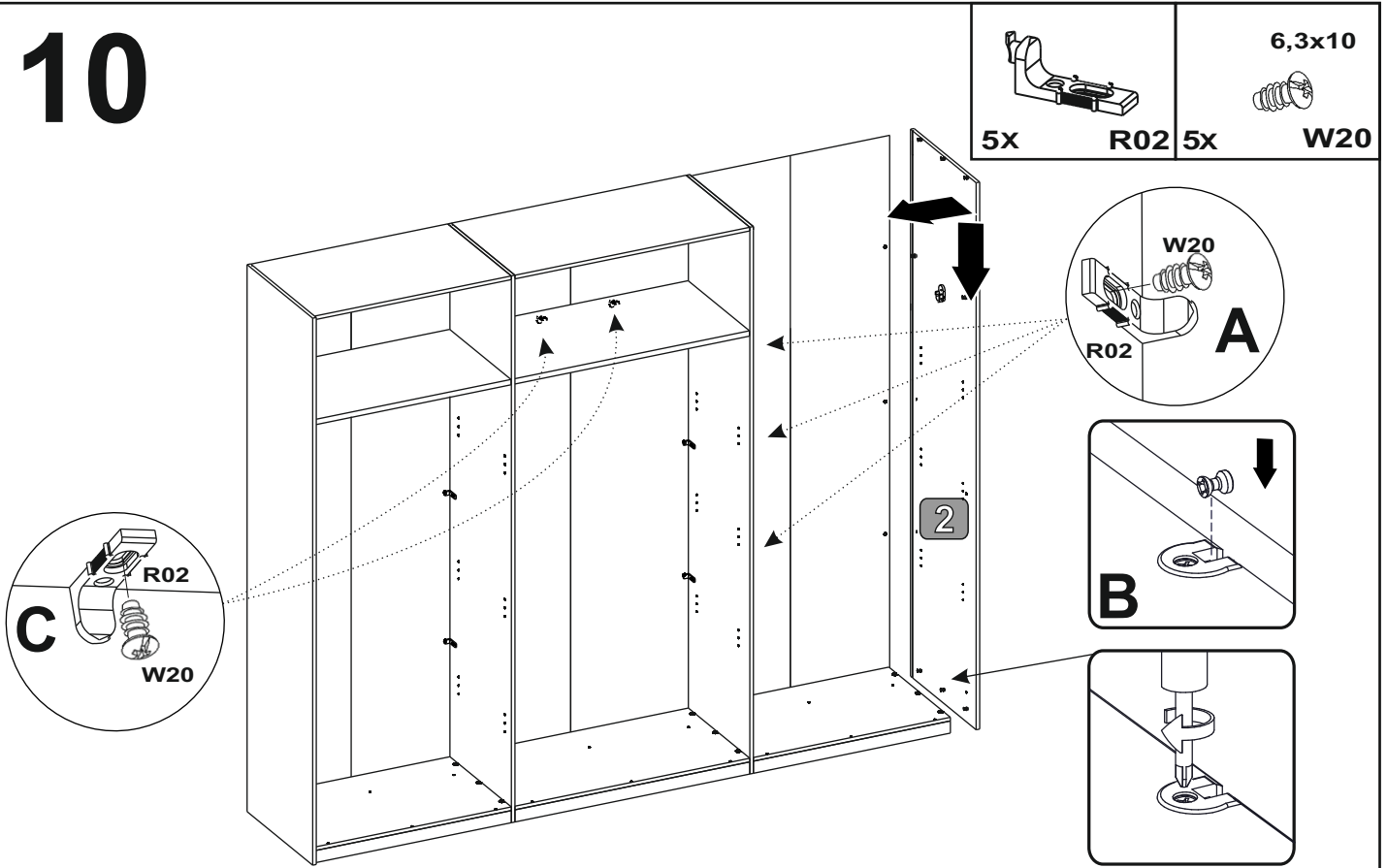
8



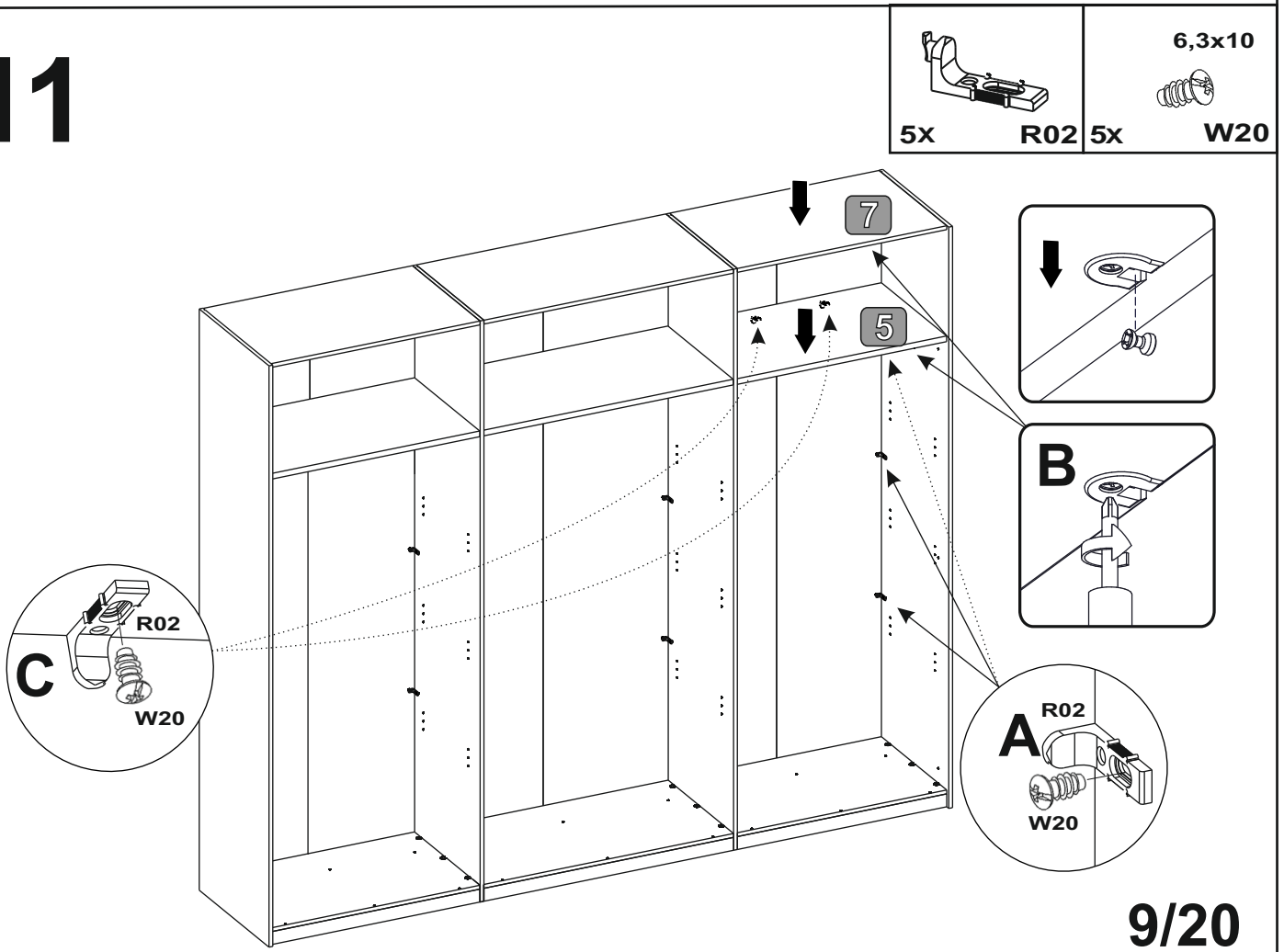
9



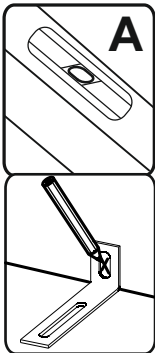
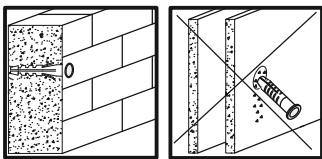
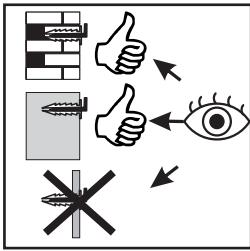
10



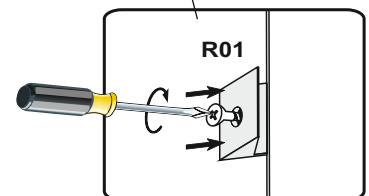
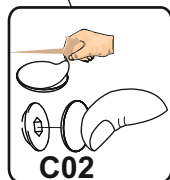
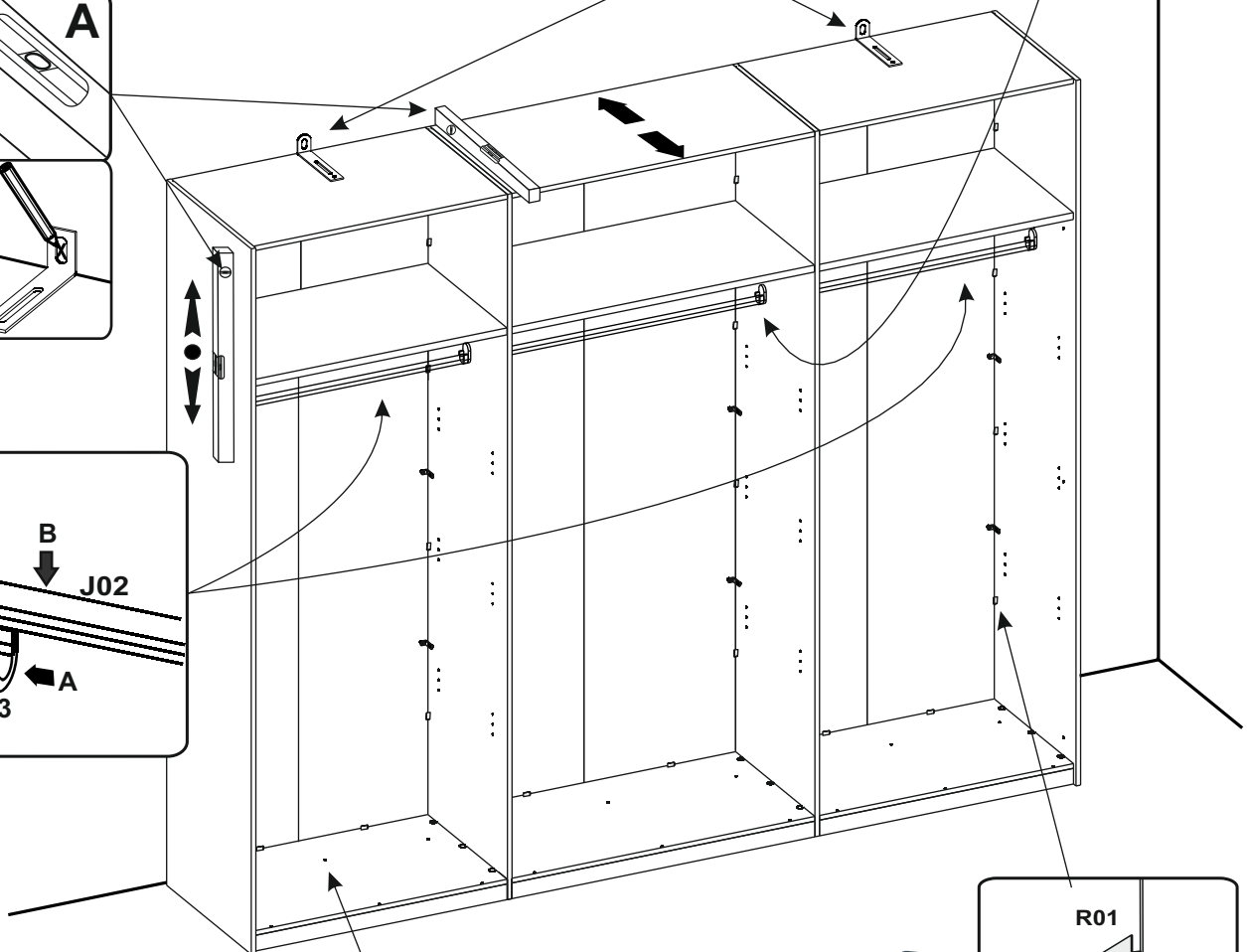
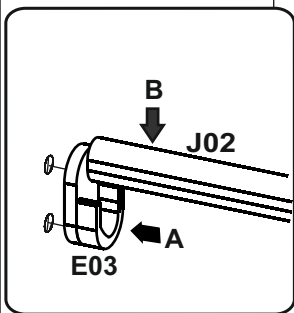
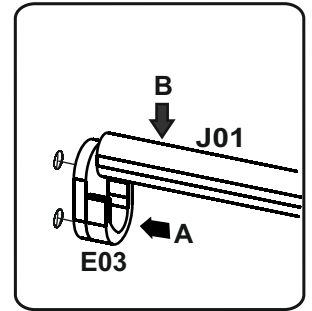
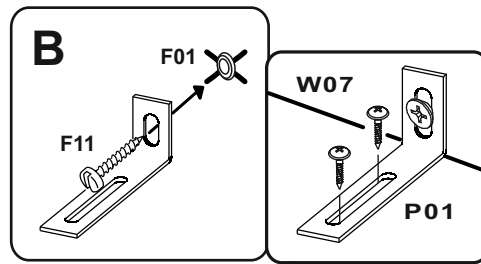
11



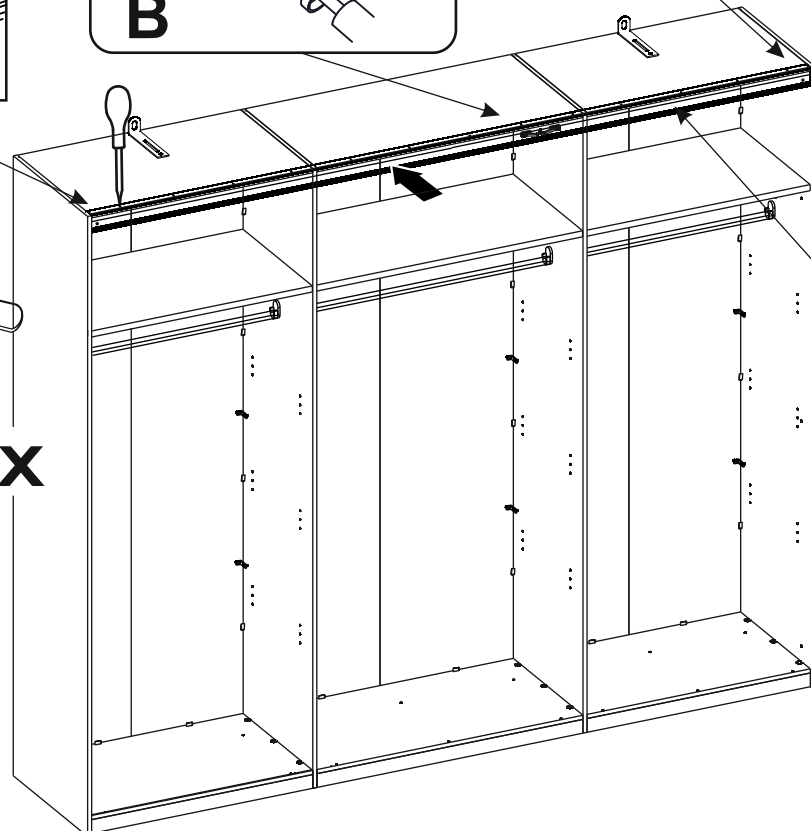
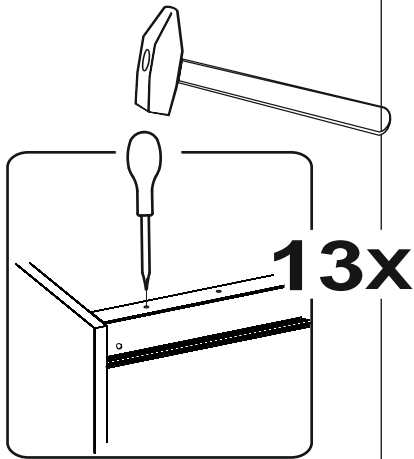
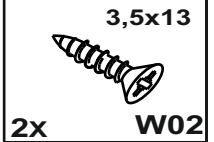
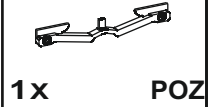
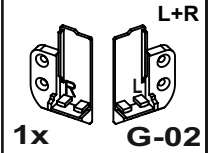
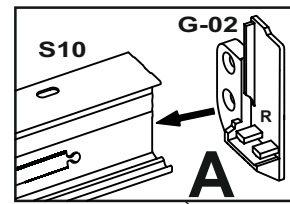
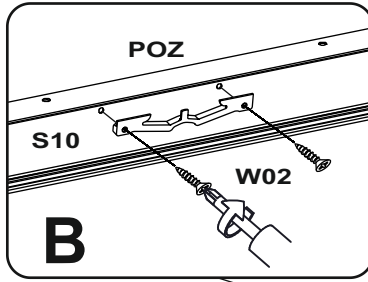
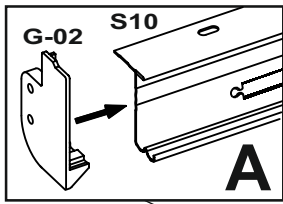
12



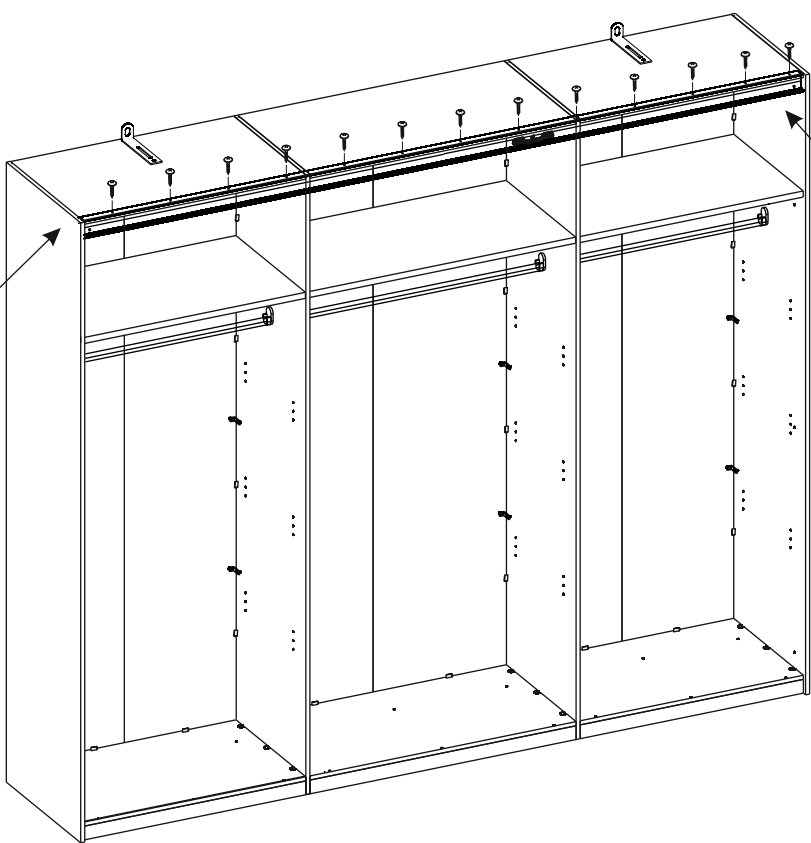
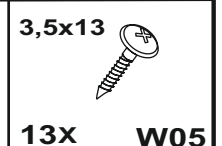
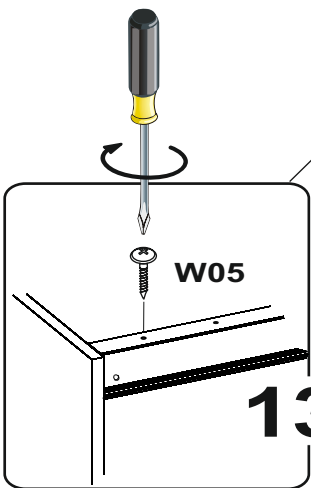
36X R01	2X F01	2X F11	4x W07	2X P01
	6X E03	18X C02	1X J01	2X J02



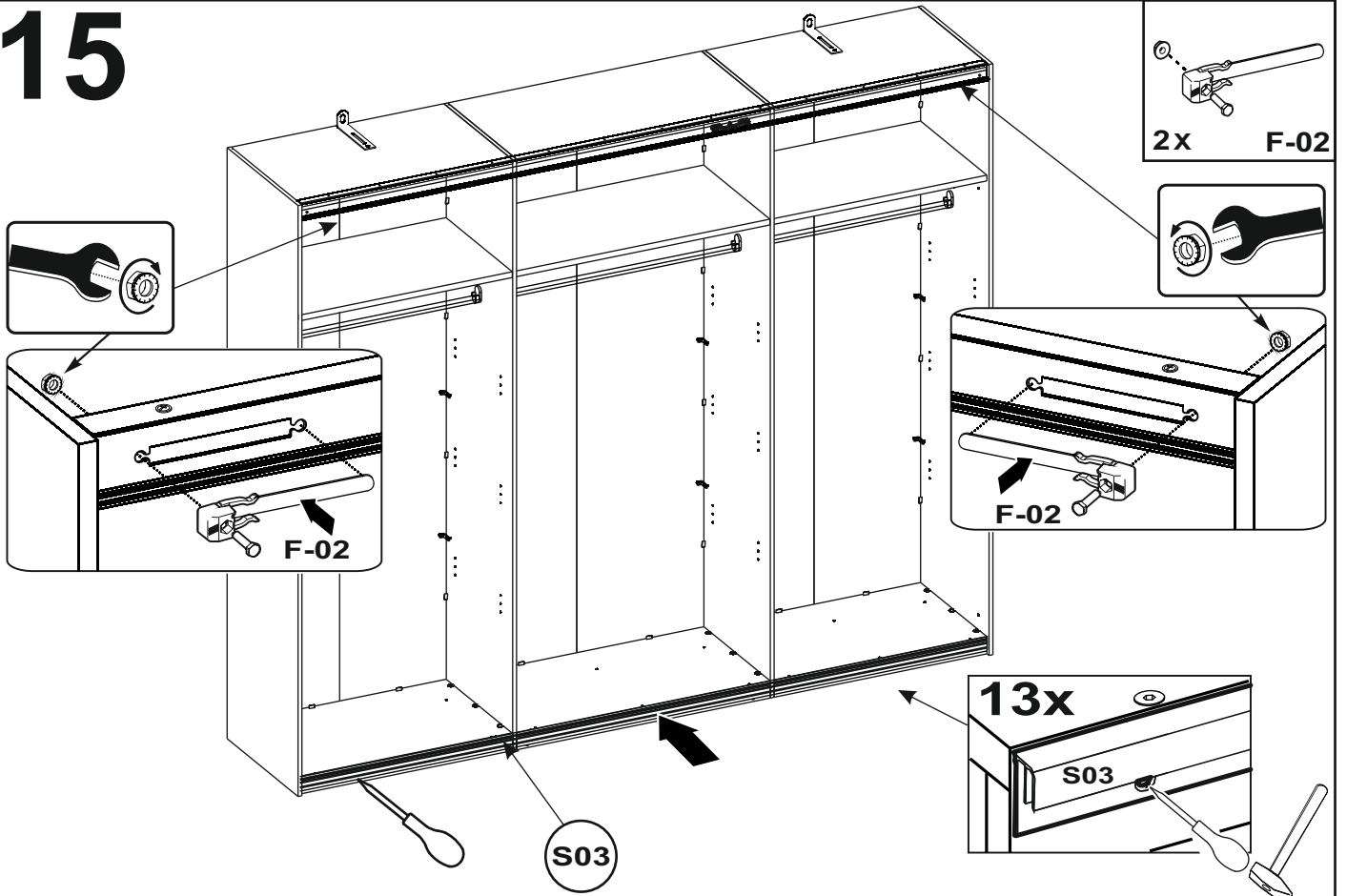
13



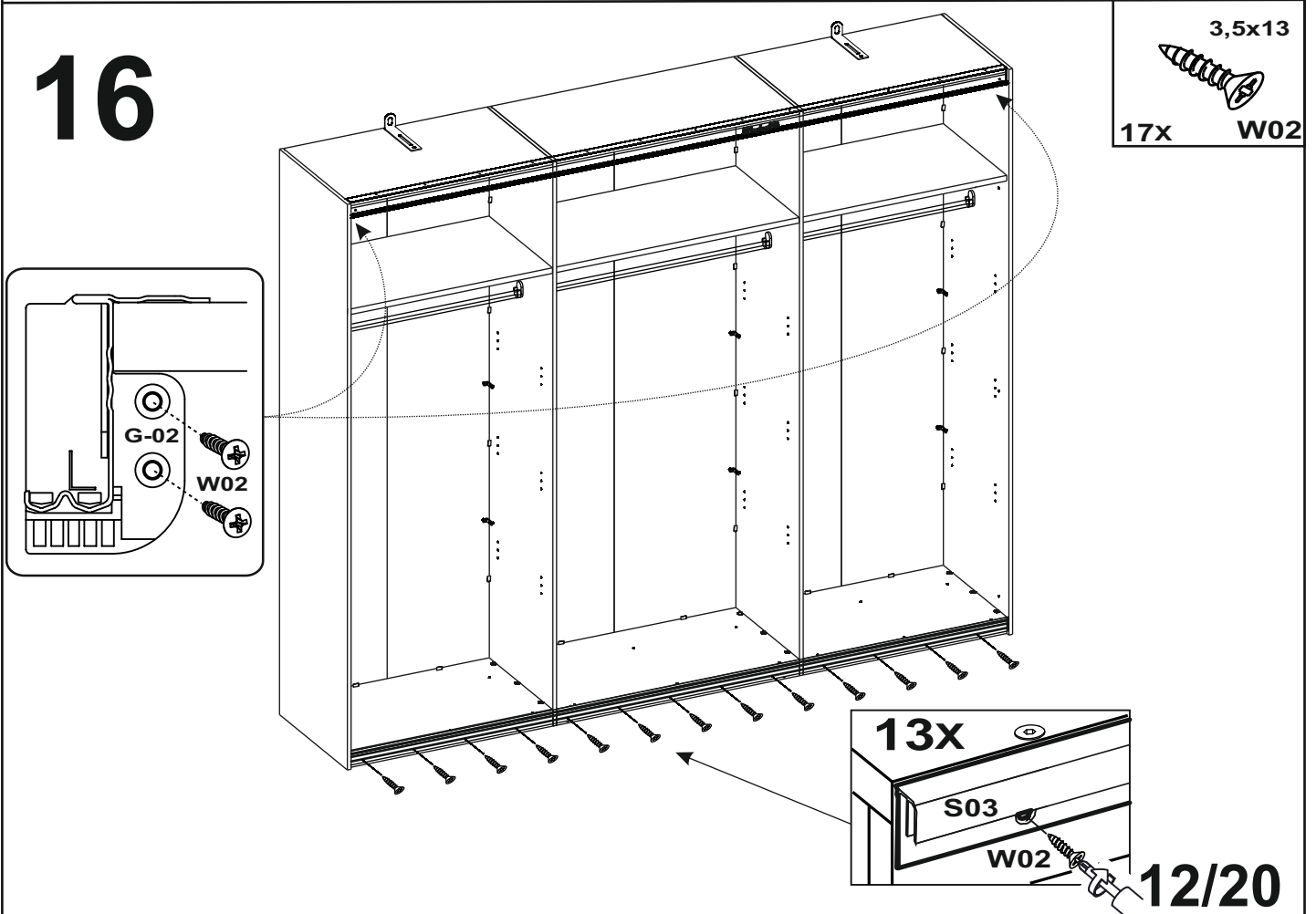
14



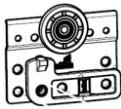


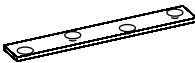
15

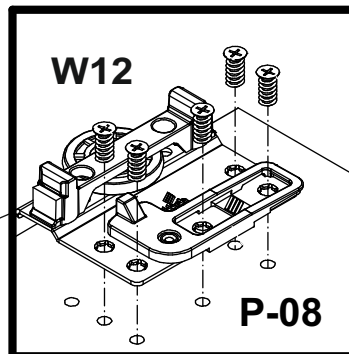
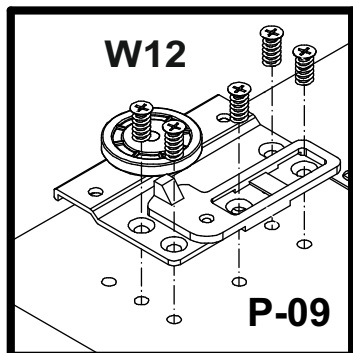




16

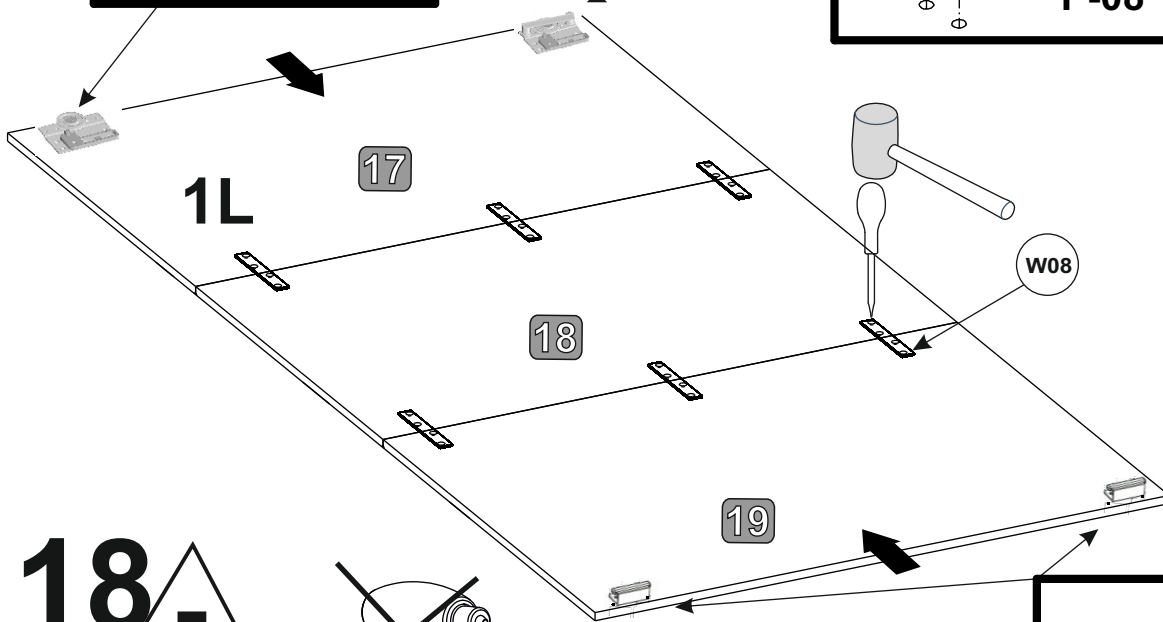


17

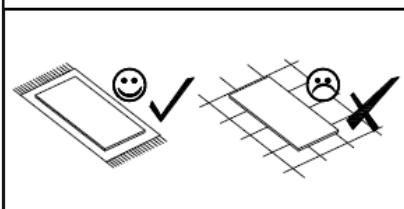
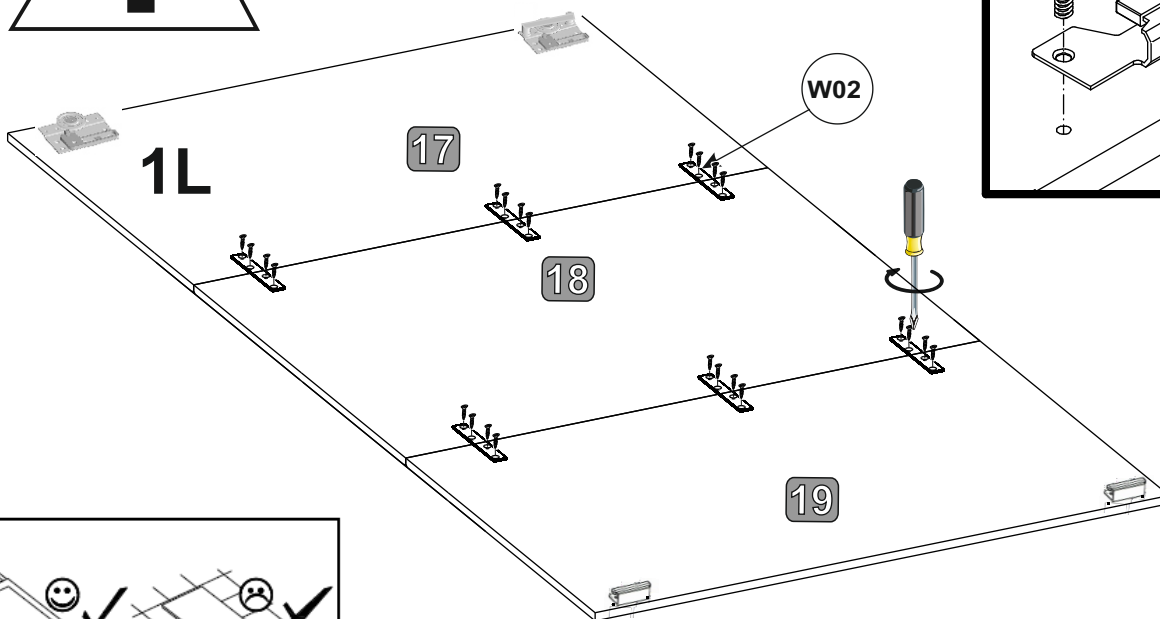
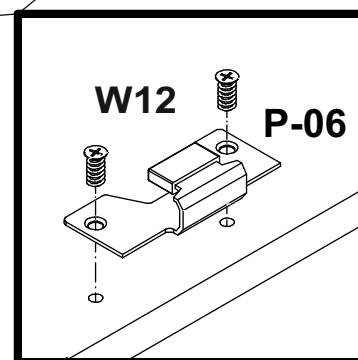
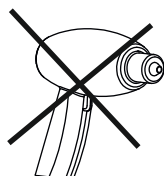
 1x P-09	 2x P-06	 1x P-08	 6x W08
--	---	--	---



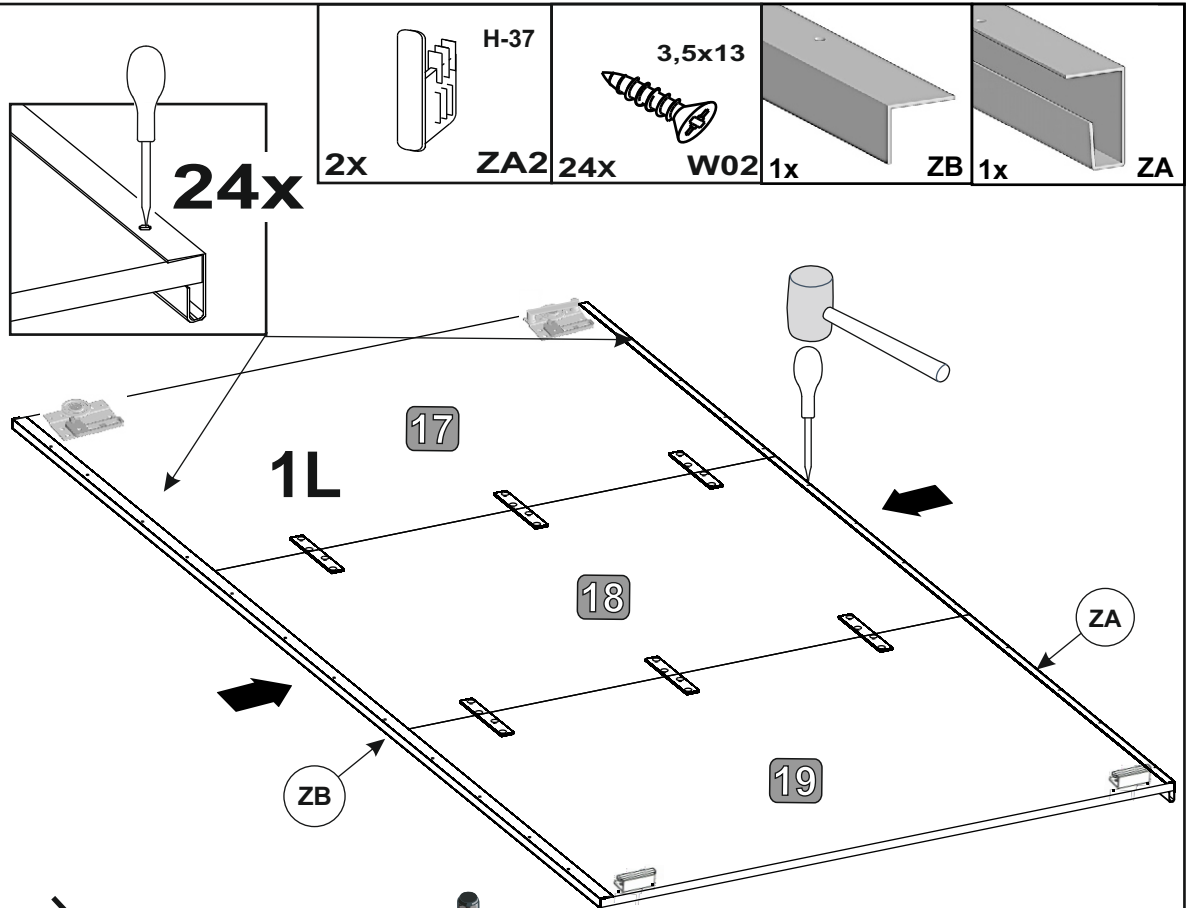
 3,5x13 24x W02	 6x11 14x W12
--	--



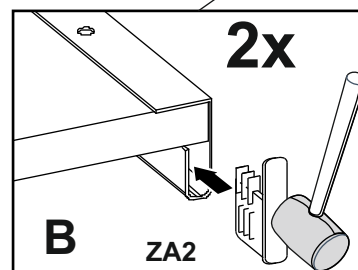
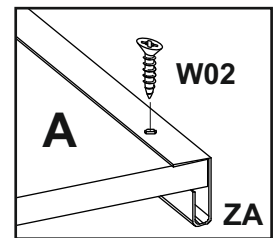
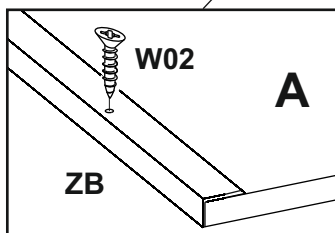
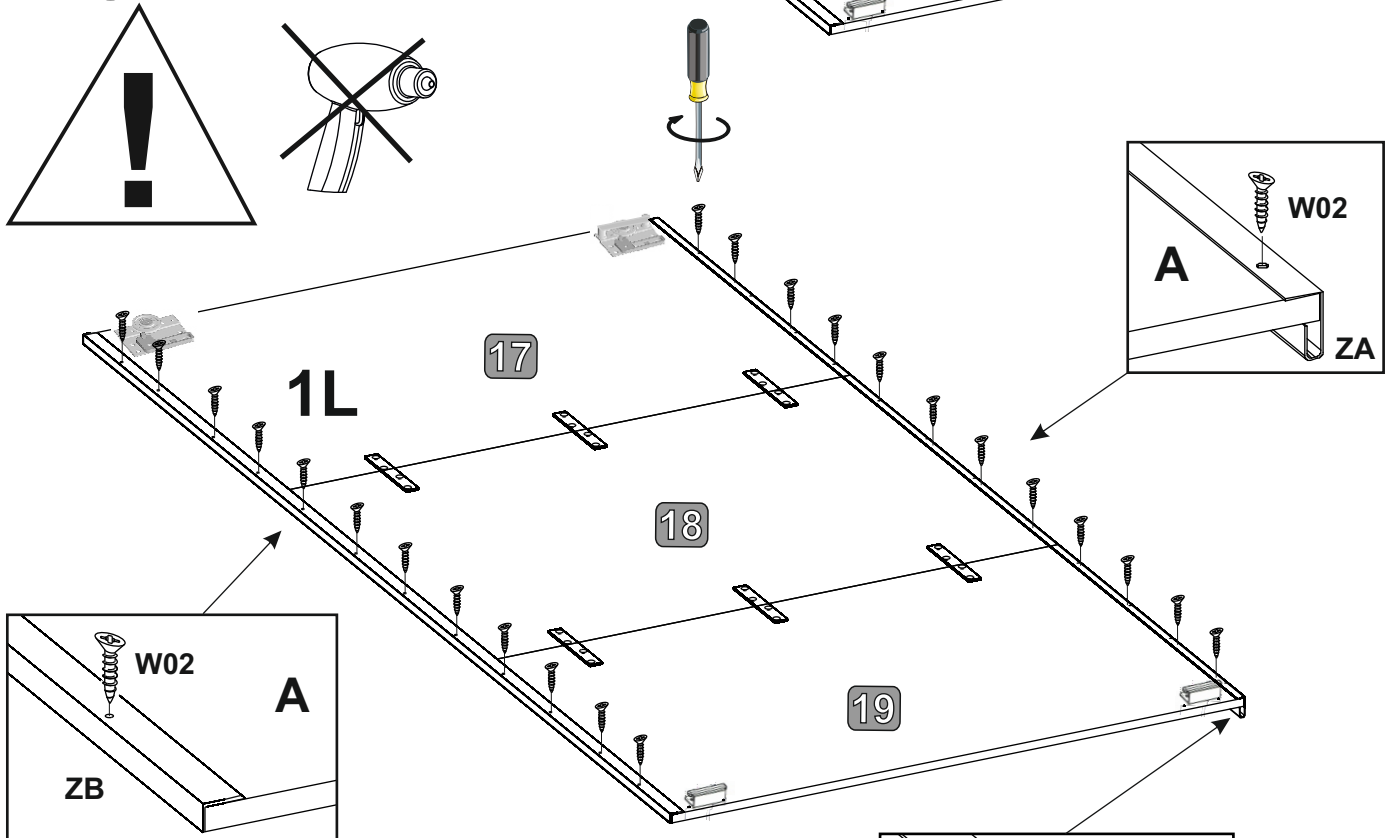
18



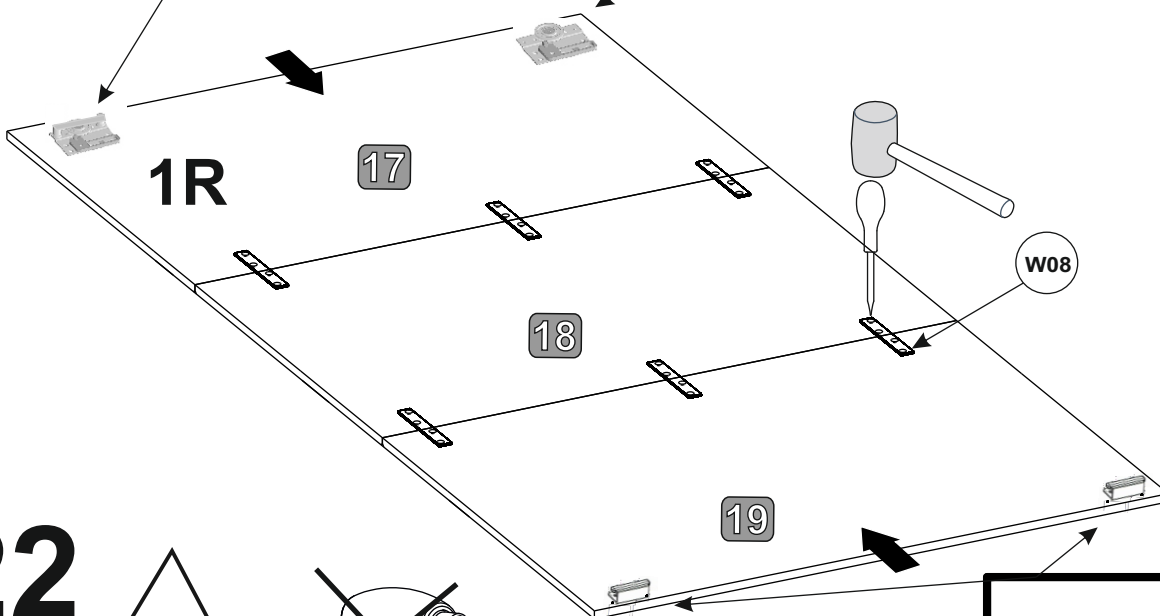
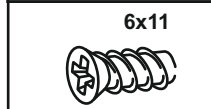
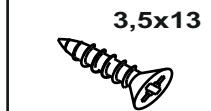
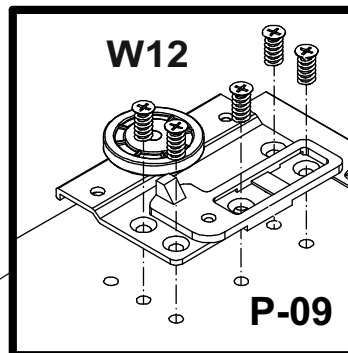
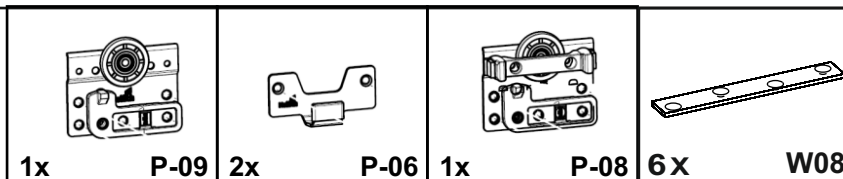
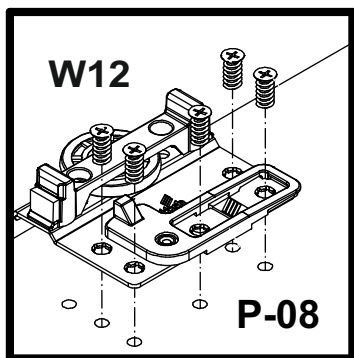
19



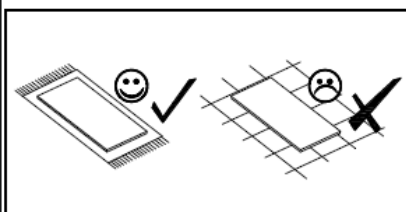
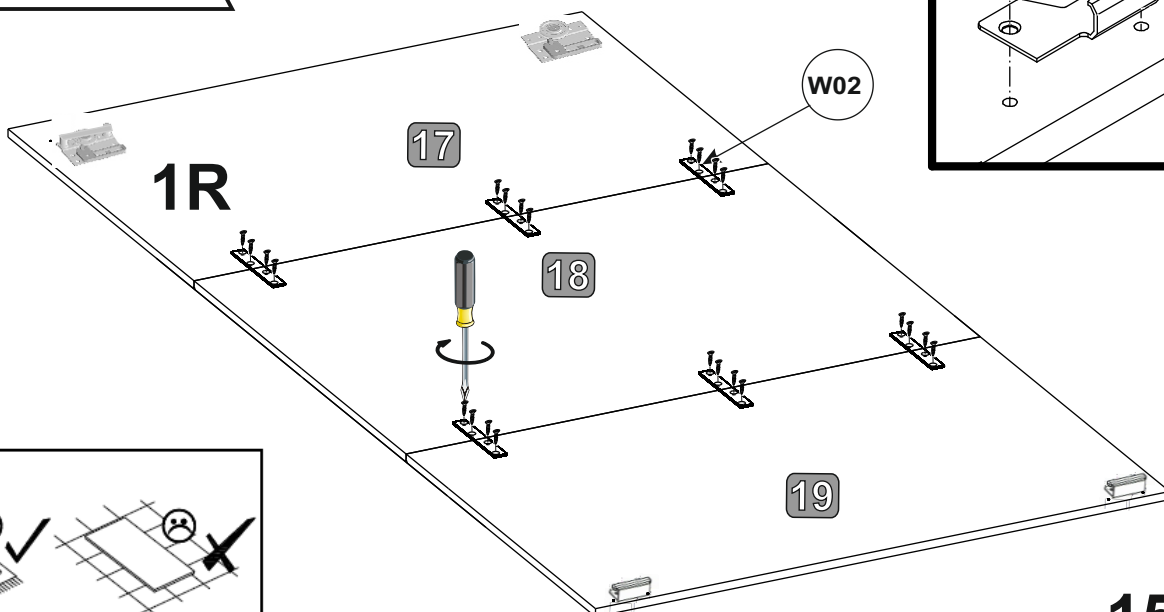
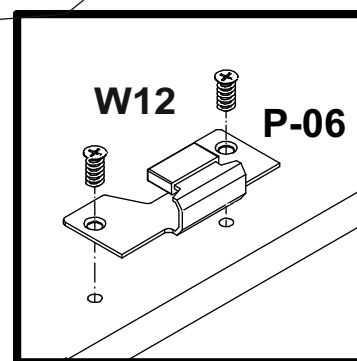
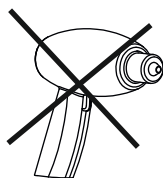
20



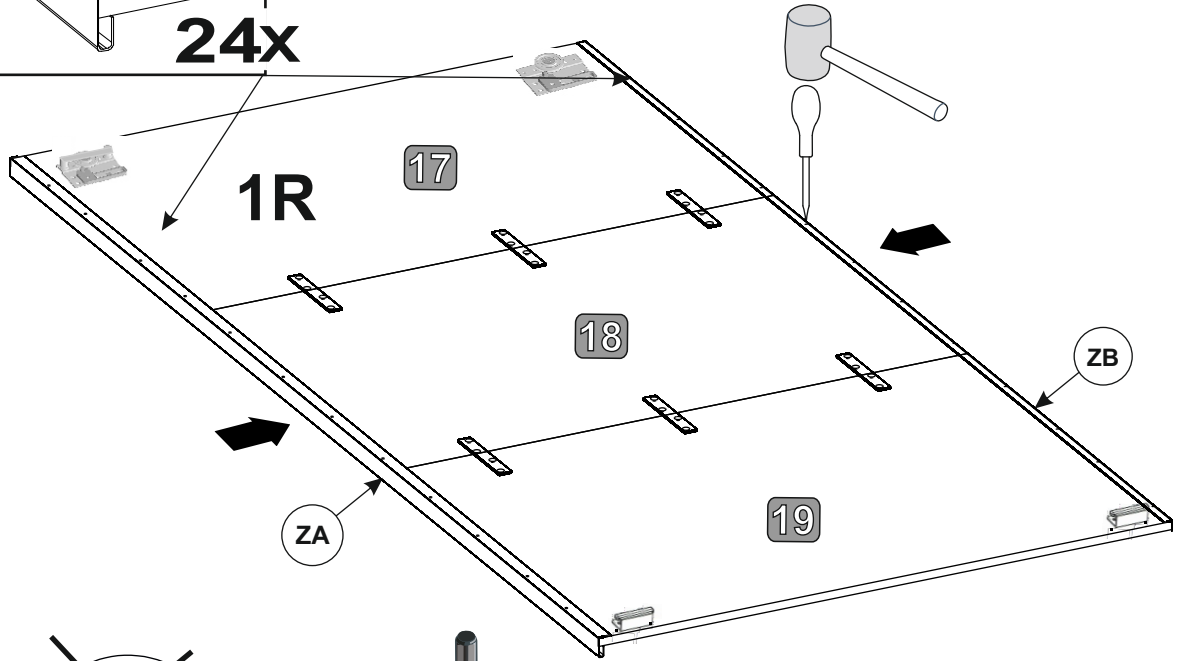
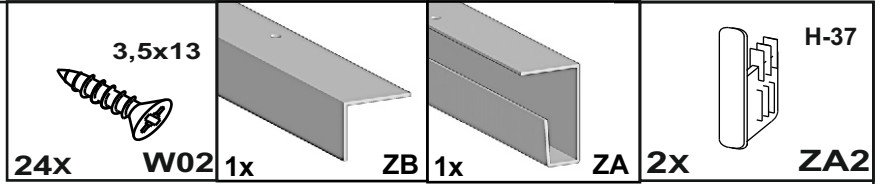
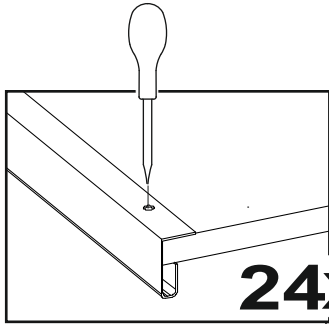
21



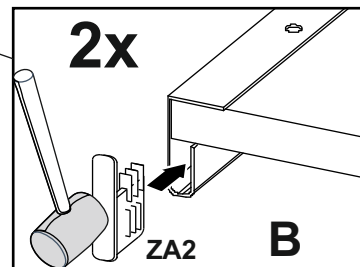
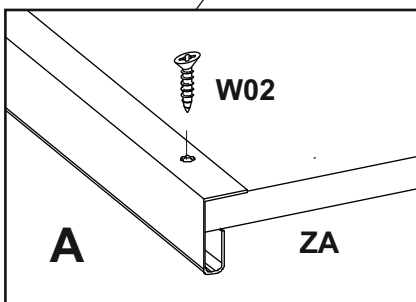
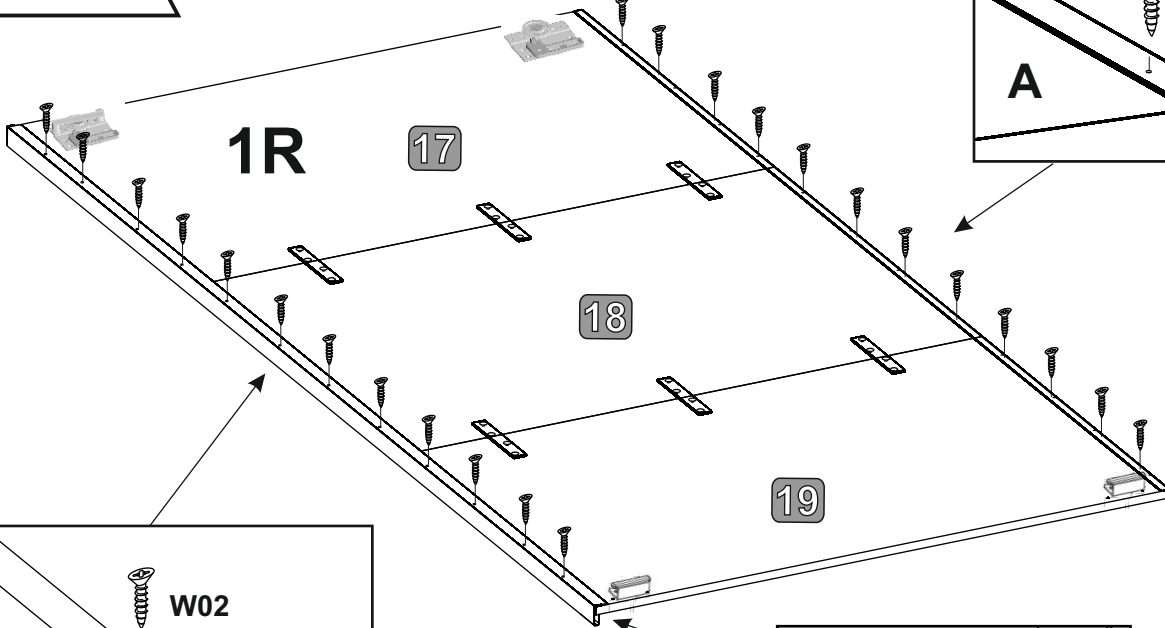
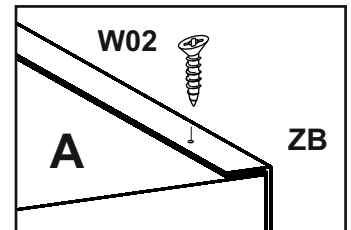
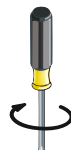
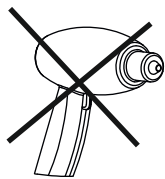
22



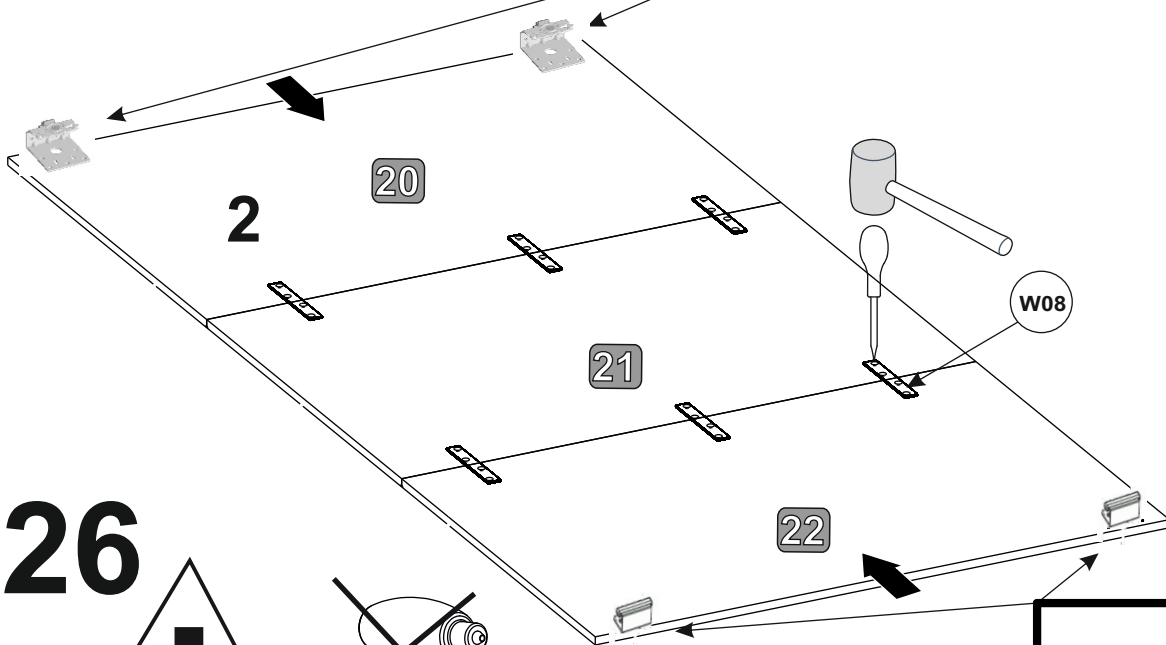
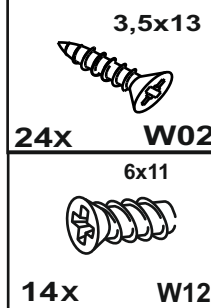
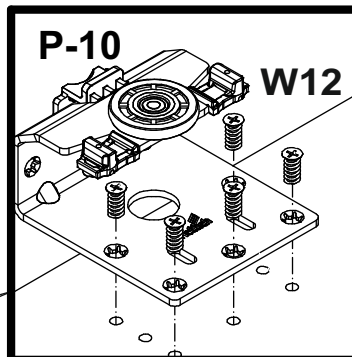
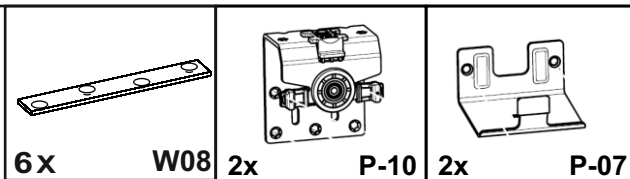
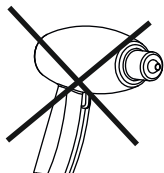
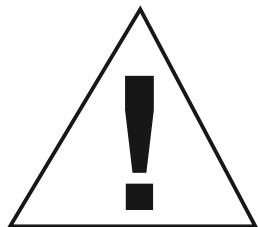
23



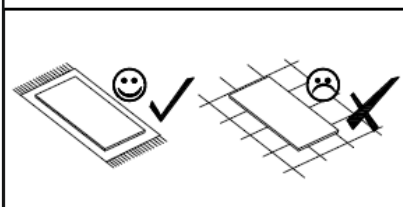
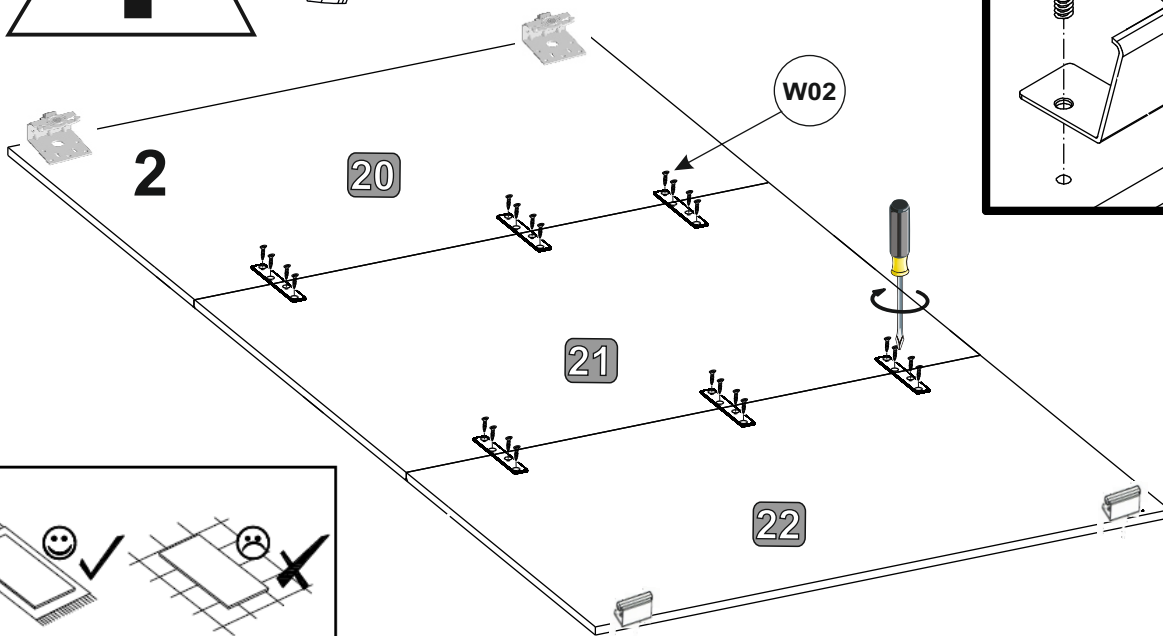
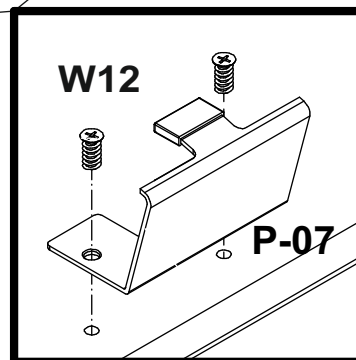
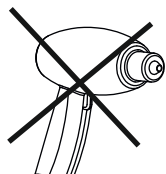
24



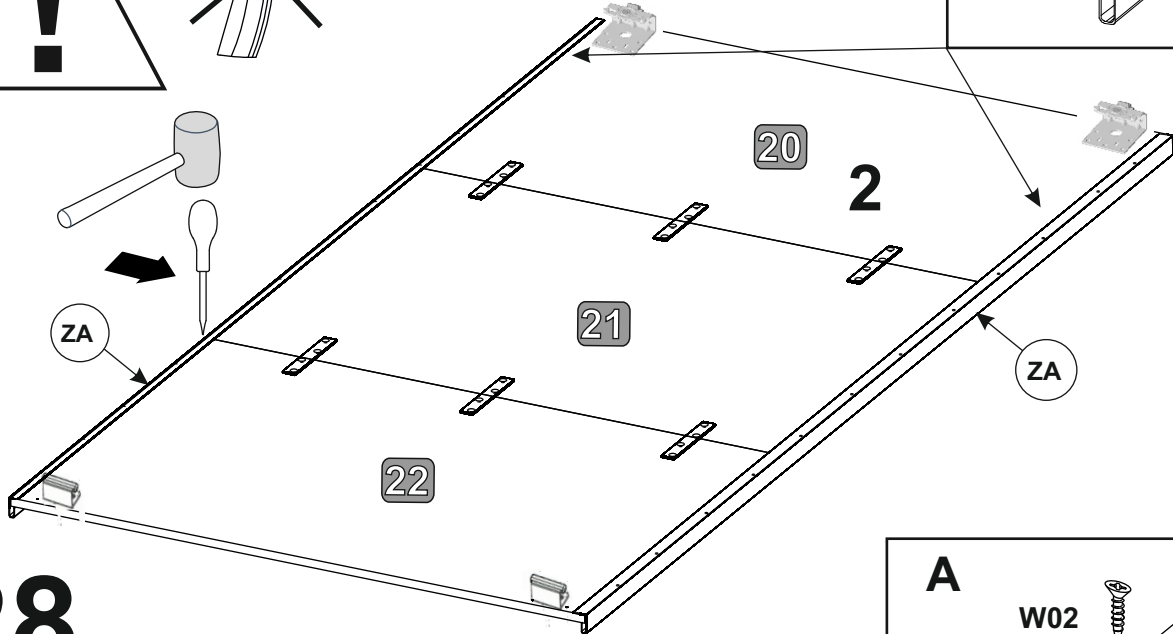
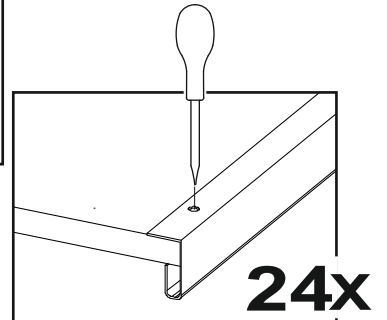
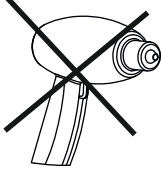
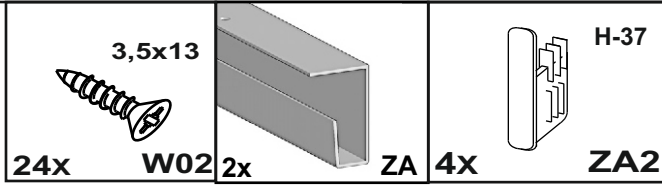
25



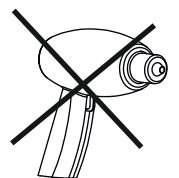
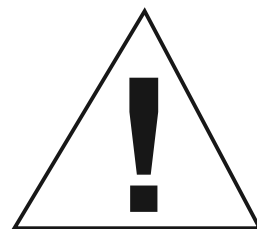
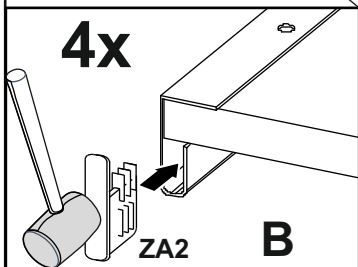
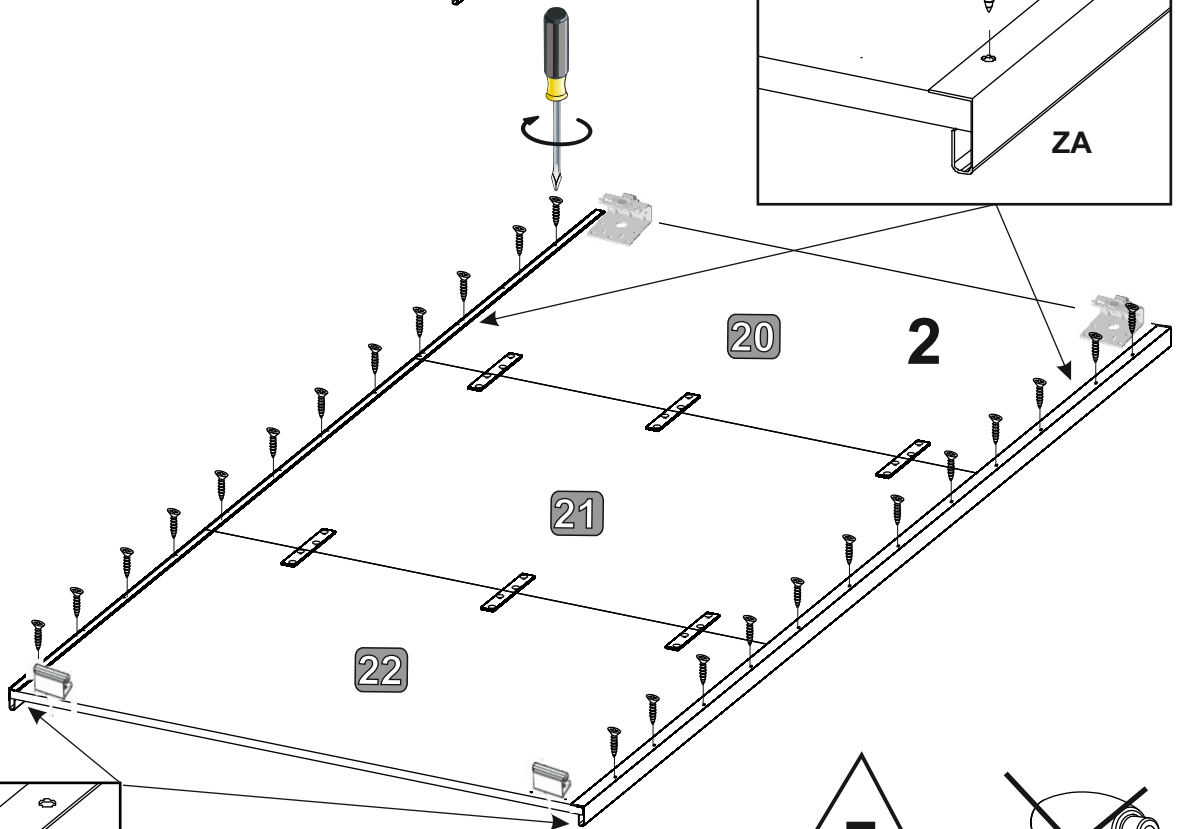
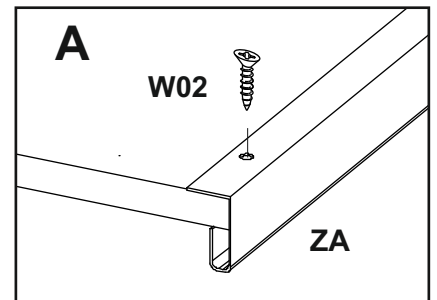
26



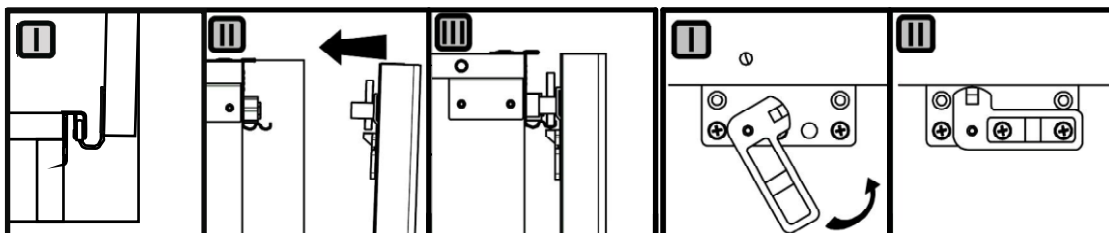
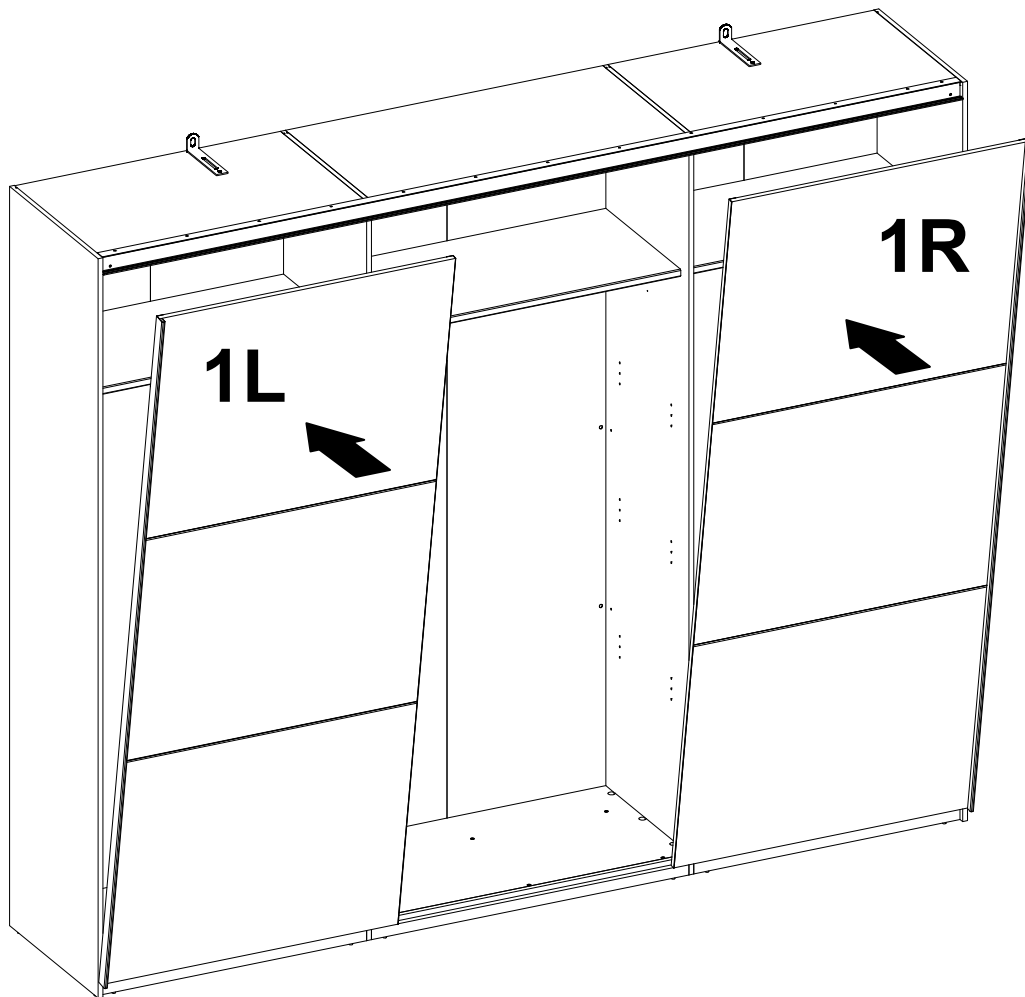
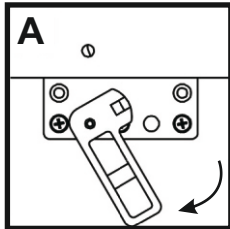
27



28



29



30

