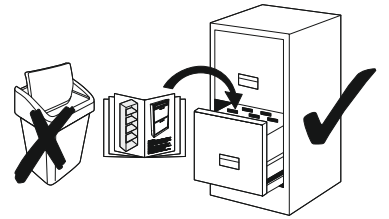


1803

MALTA MYS101

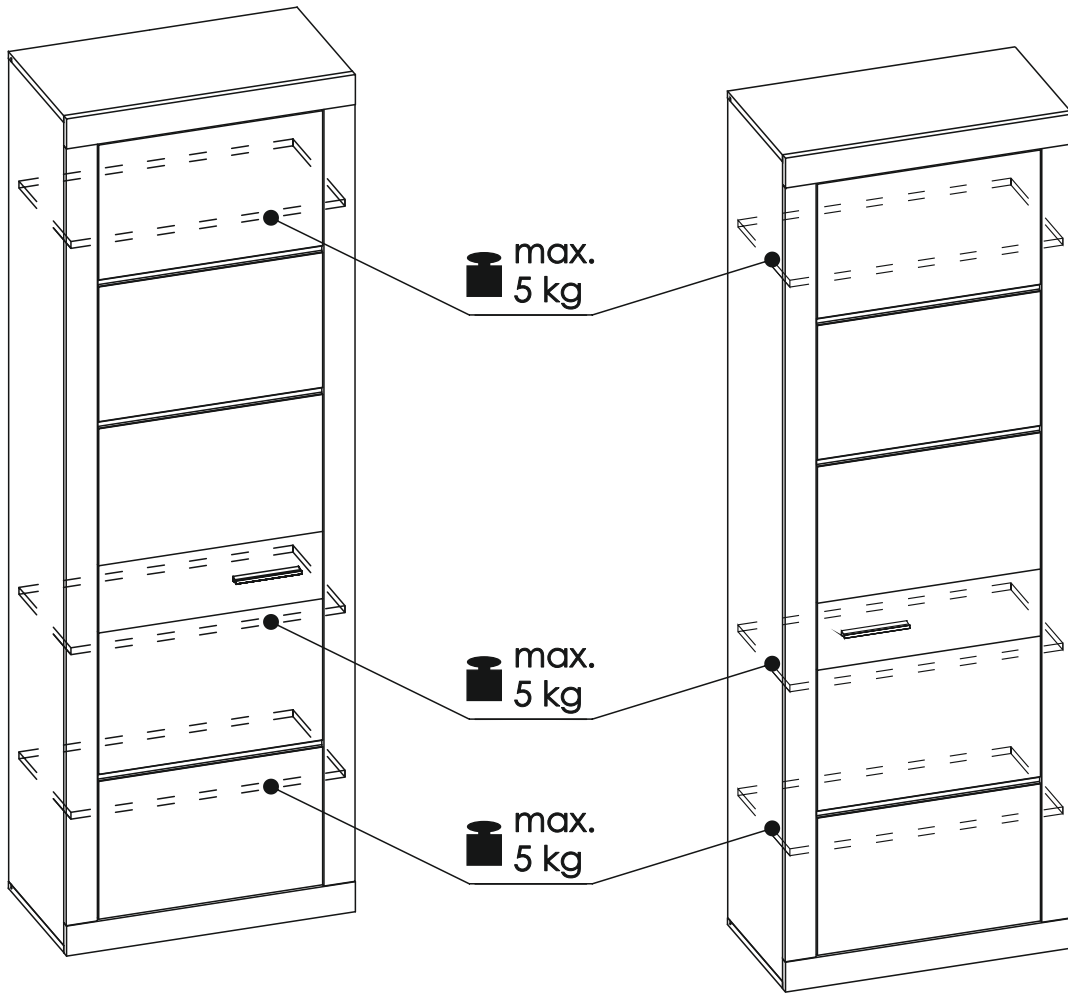


- 60 min.



L

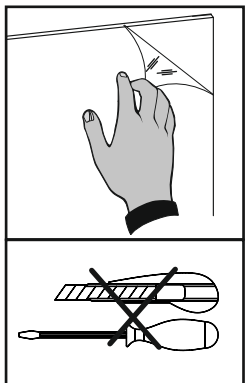
R



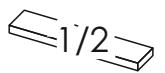
max.
5 kg

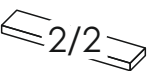
max.
5 kg

max.
5 kg



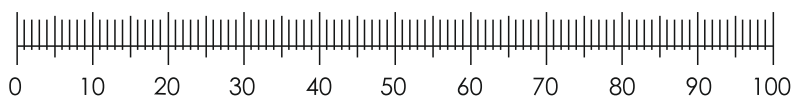
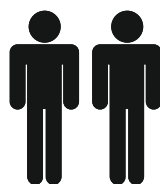
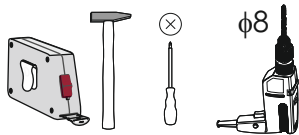
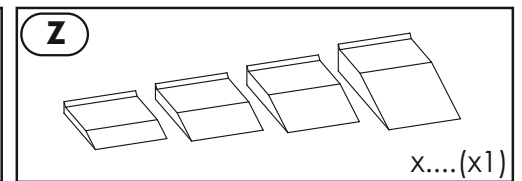
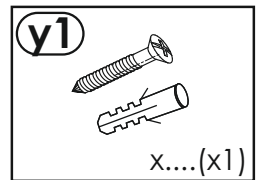
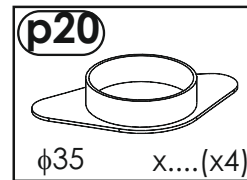
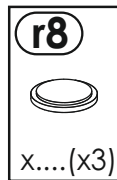
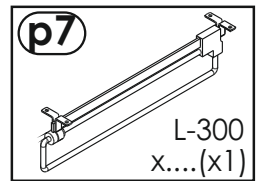
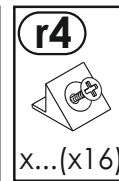
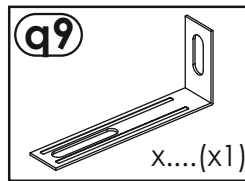
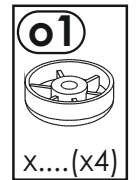
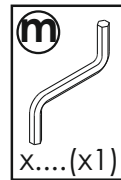
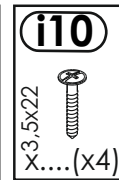
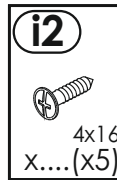
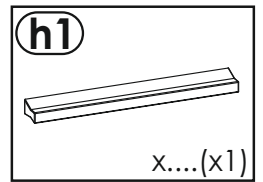
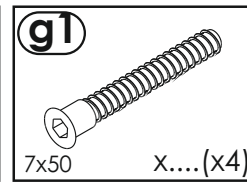
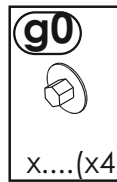
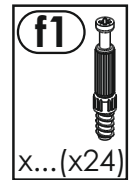
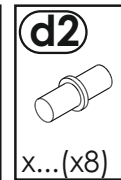
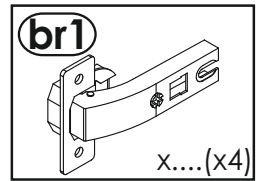
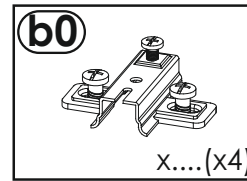
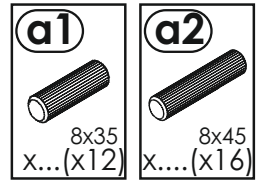
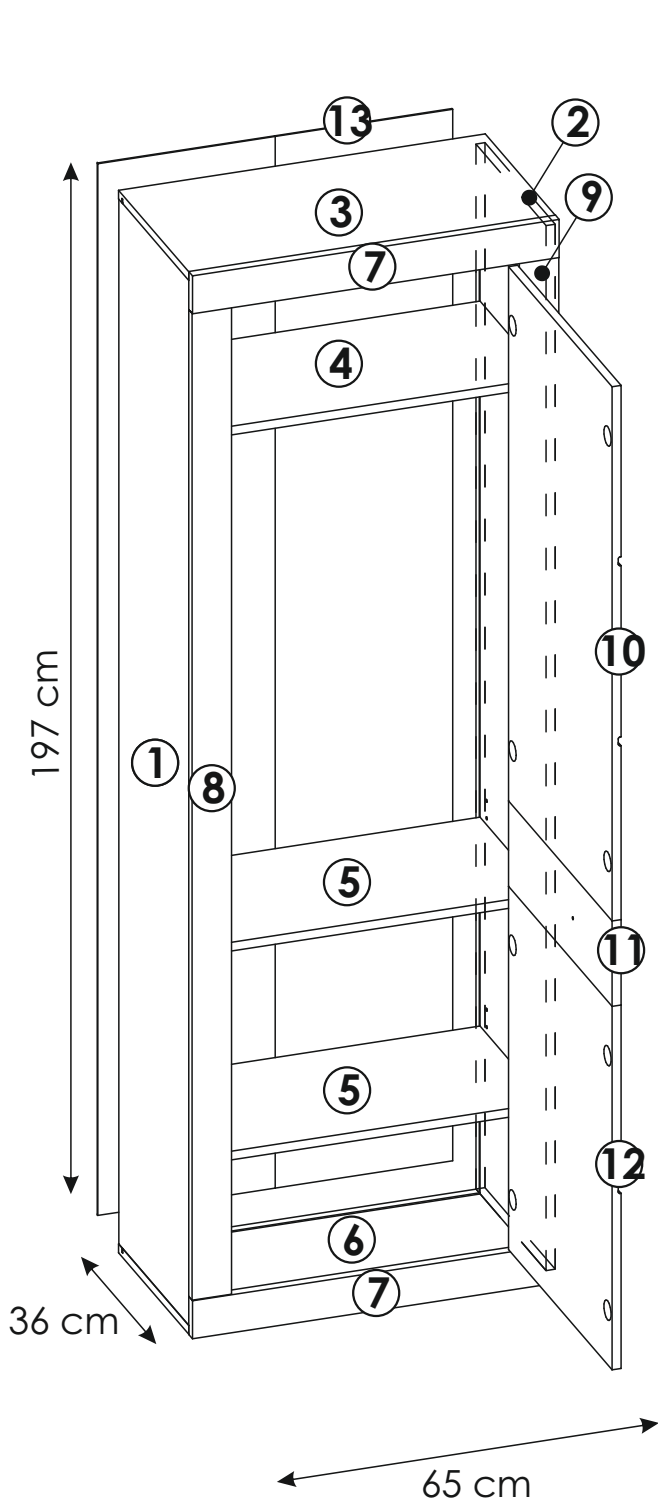
- | | | |
|--------|--------|--------|
| ① - C2 | ⑥ - C1 | ⑪ - C1 |
| ② - C2 | ⑦ - C1 | ⑫ - C1 |
| ③ - C1 | ⑧ - C2 | ⑬ - C2 |
| ④ - C1 | ⑨ - C2 | |
| ⑤ - C2 | ⑩ - C1 | |

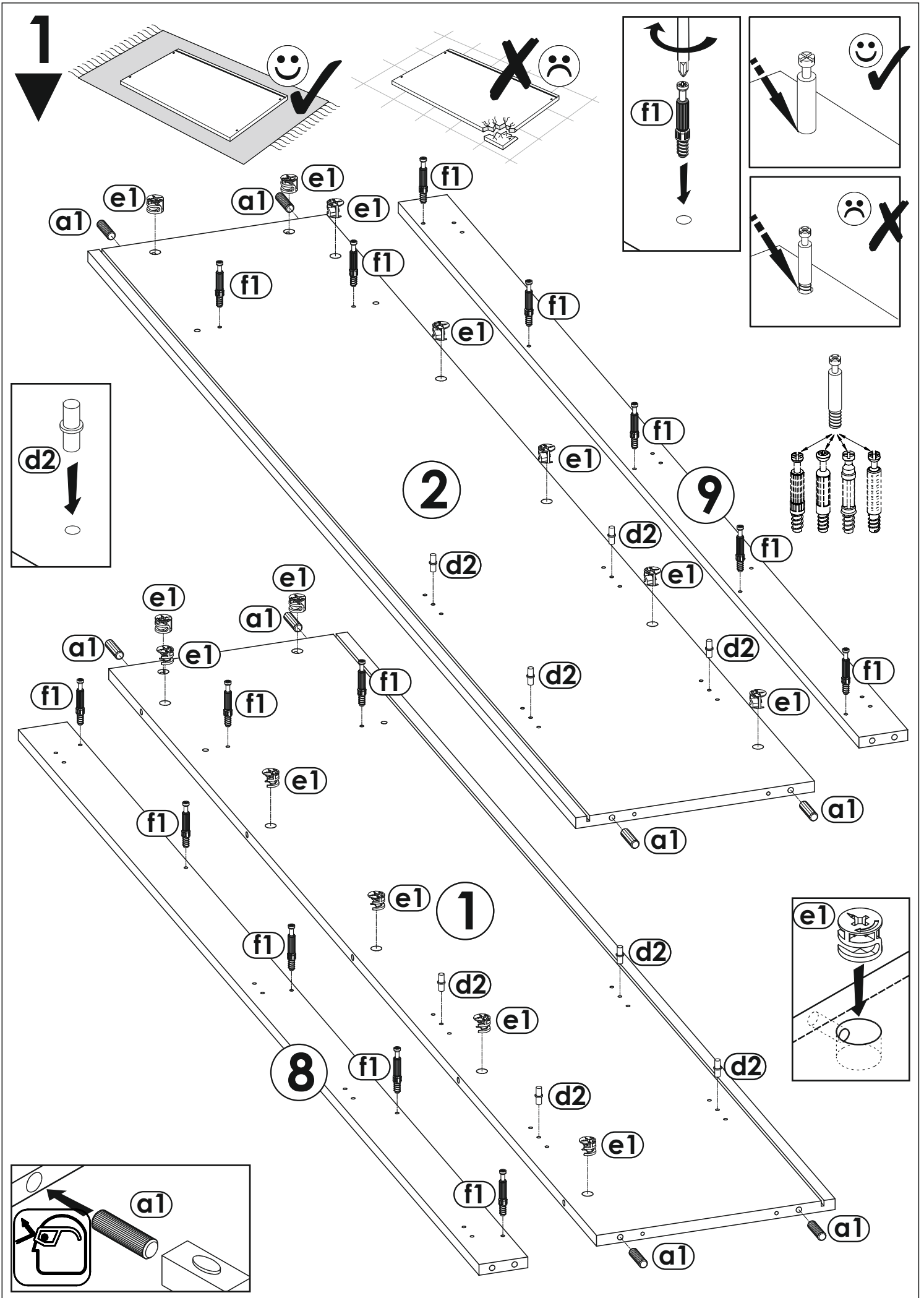
C1 

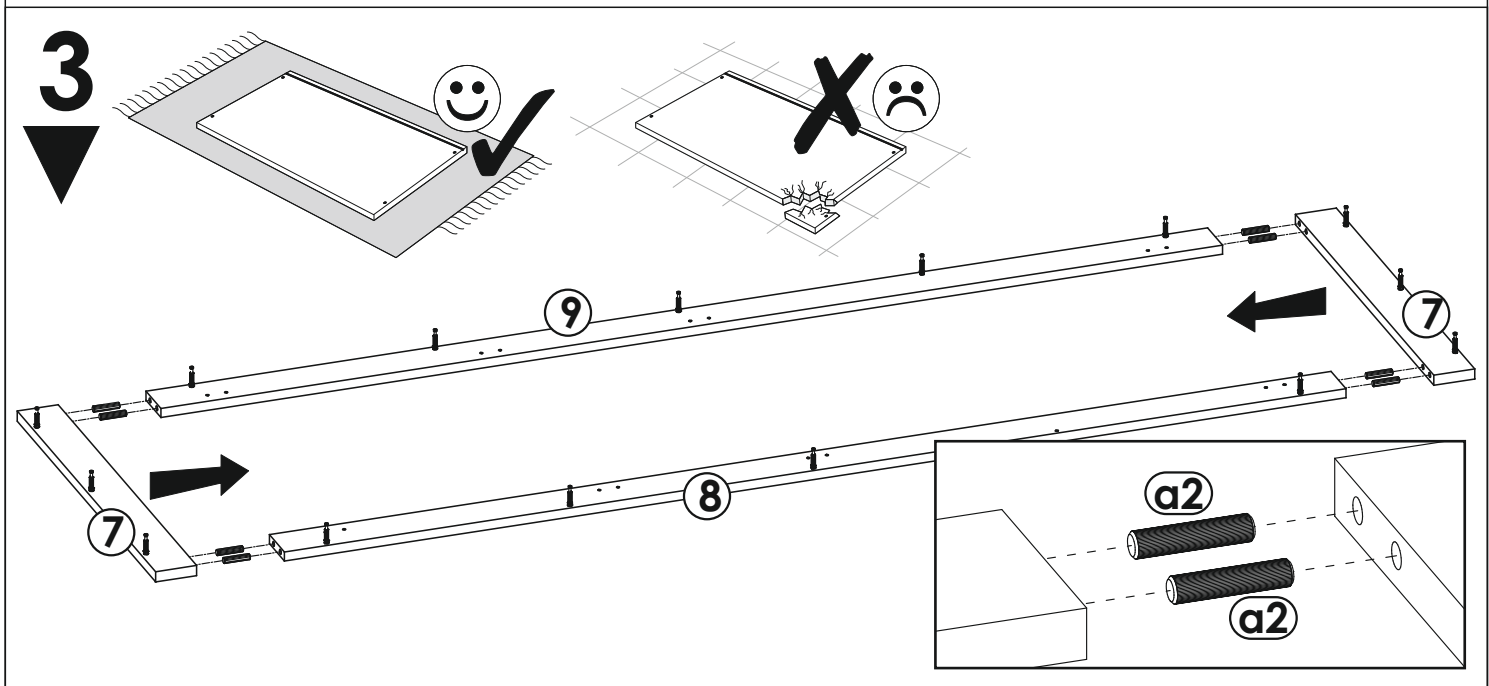
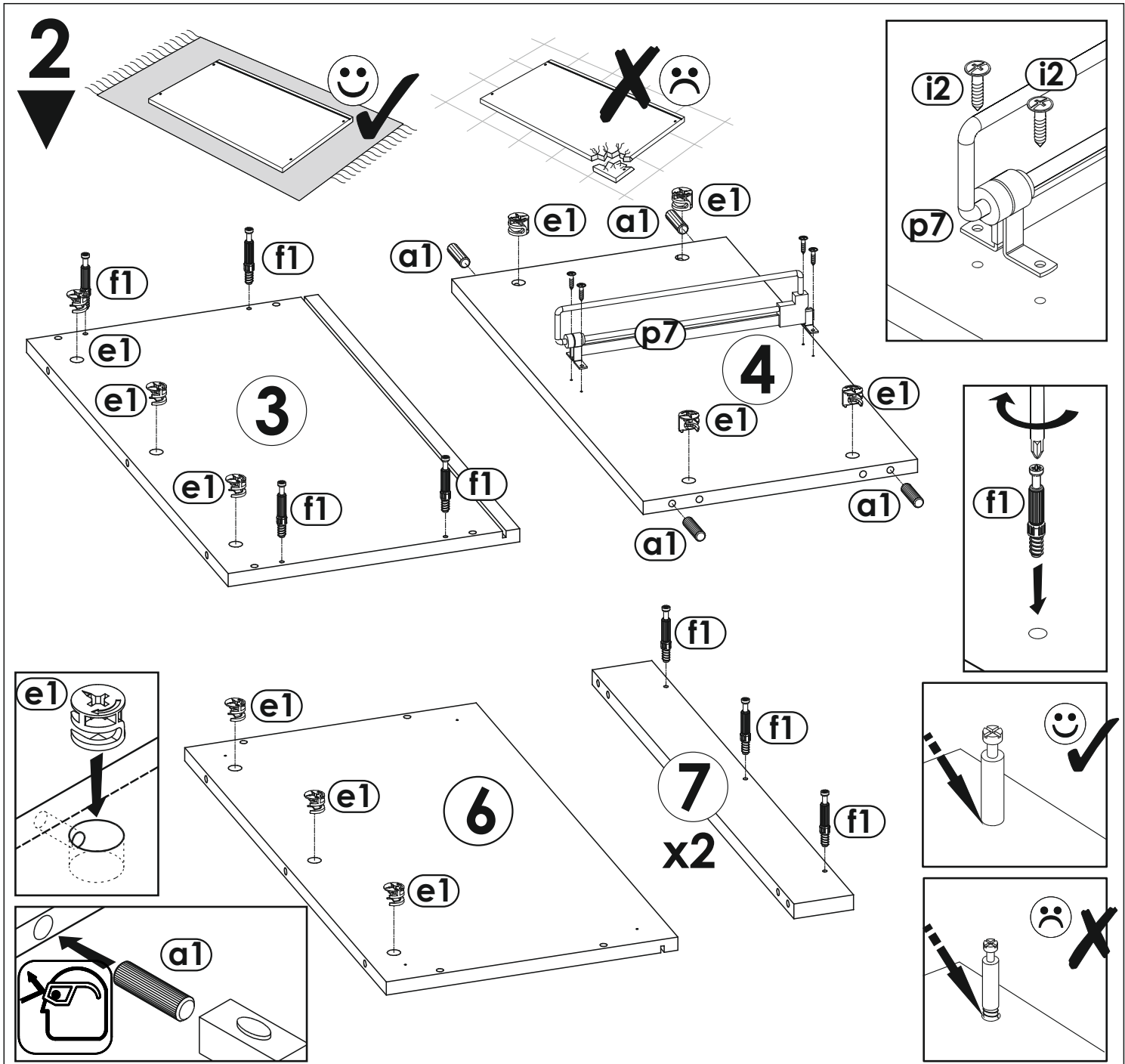
C2 

1803

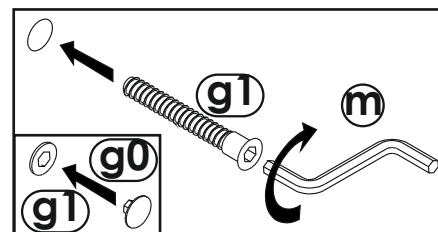
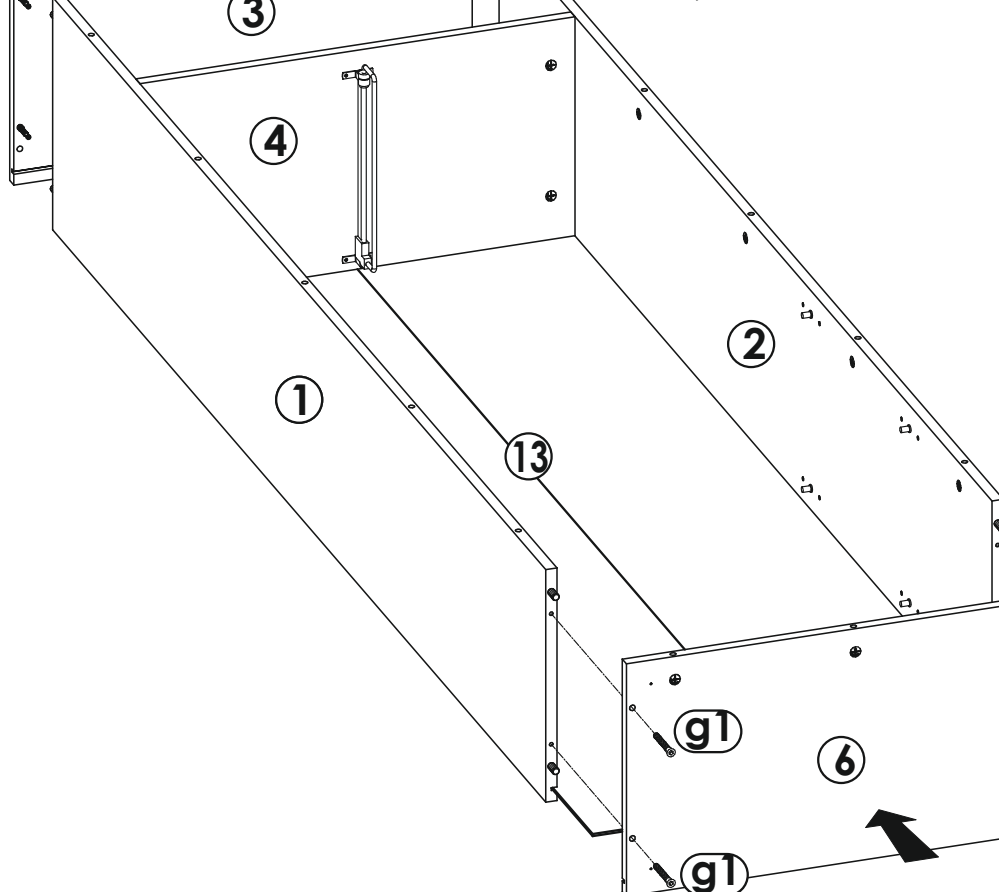
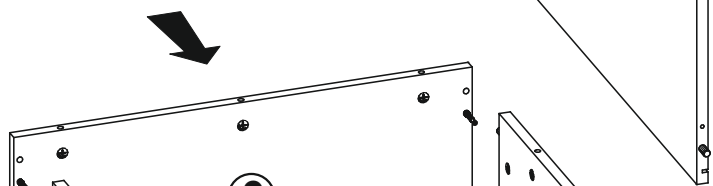
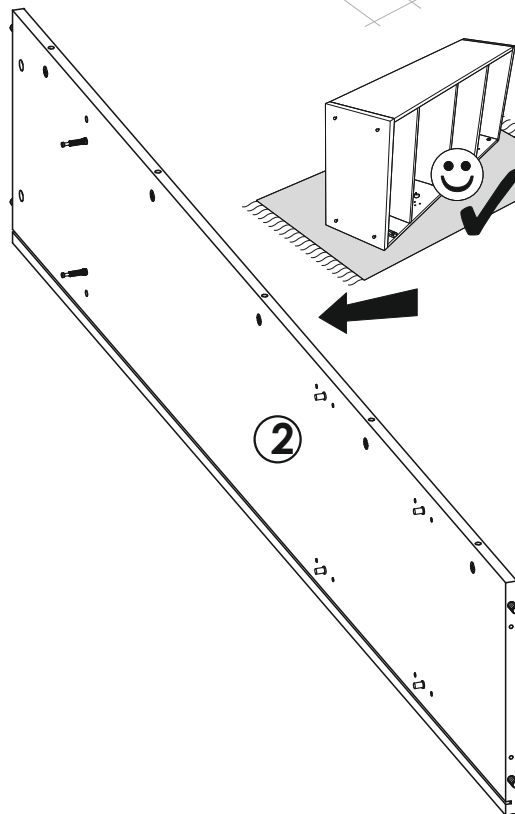
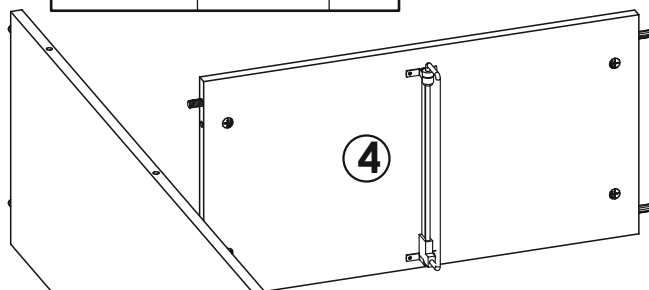
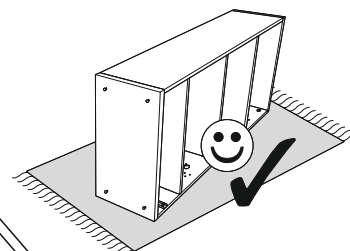
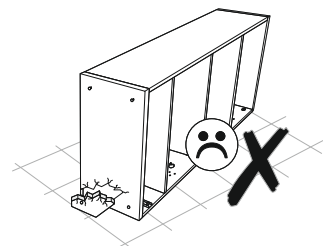
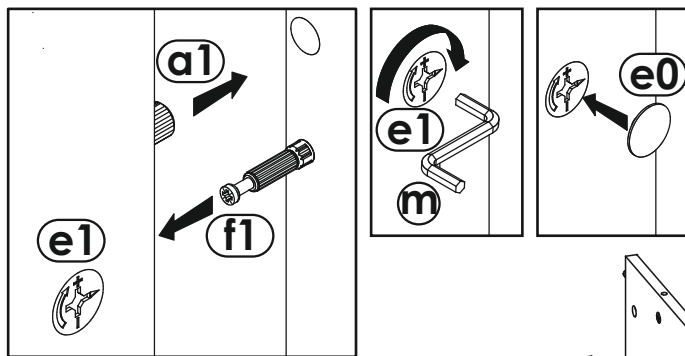
MALTA MYS101



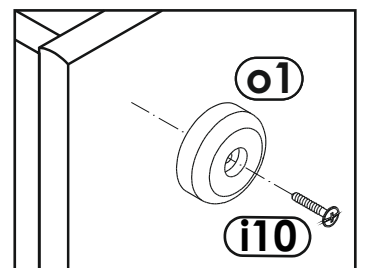
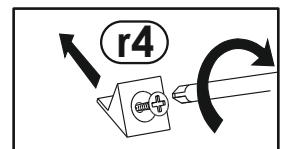
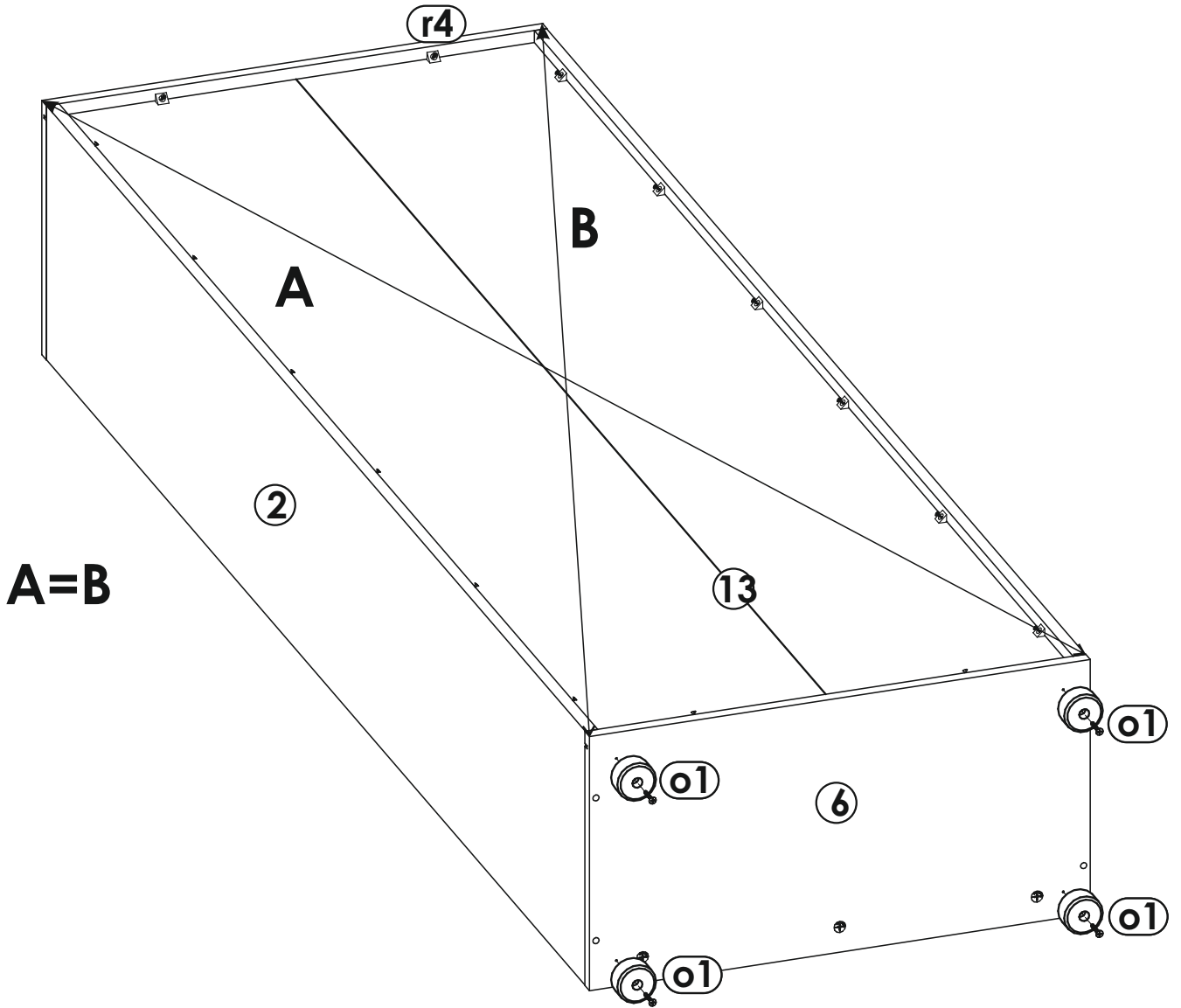
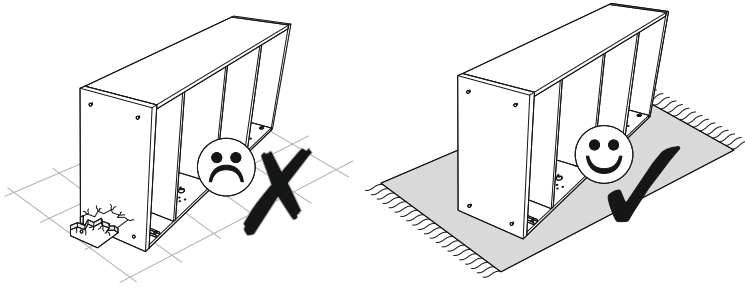


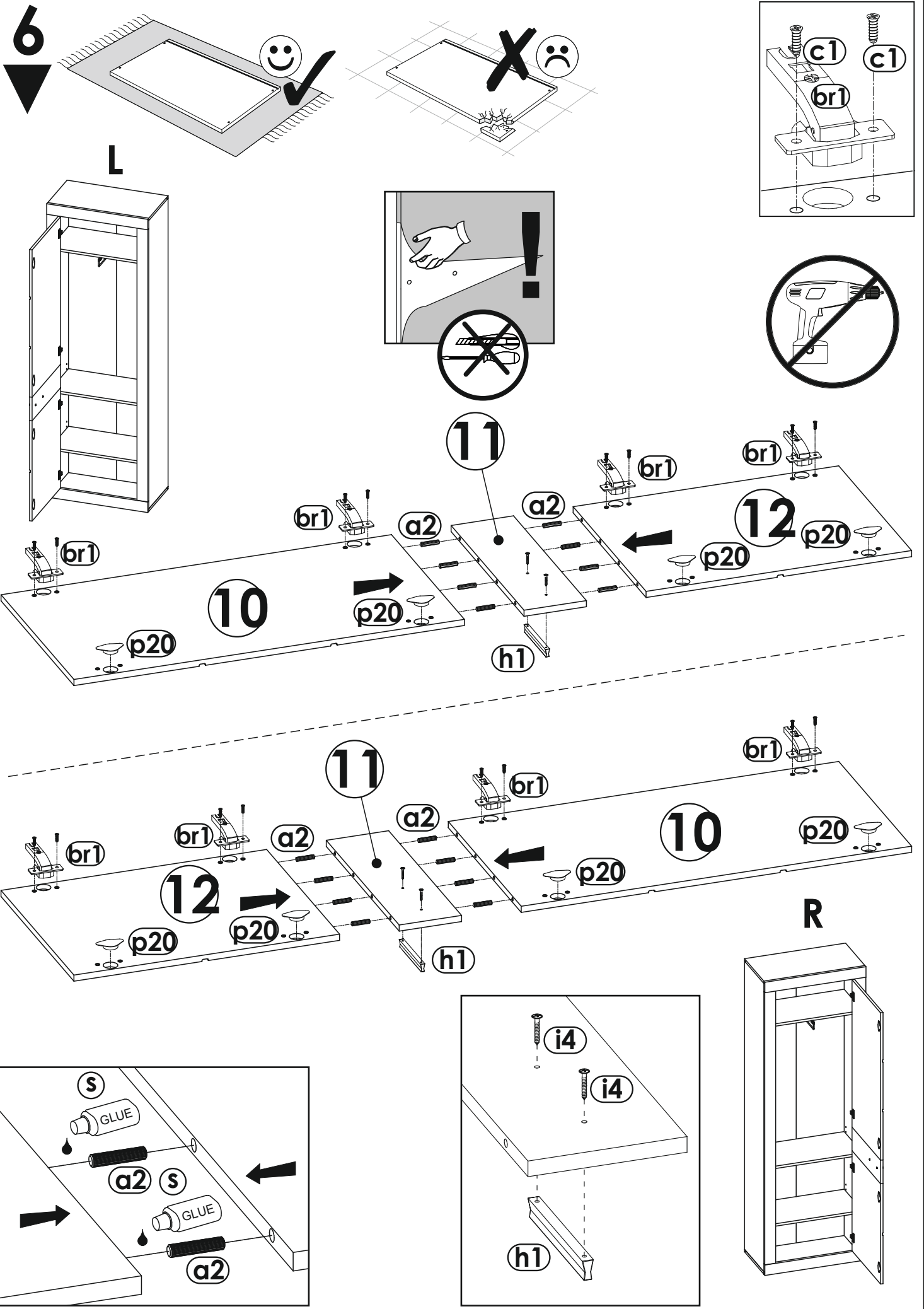


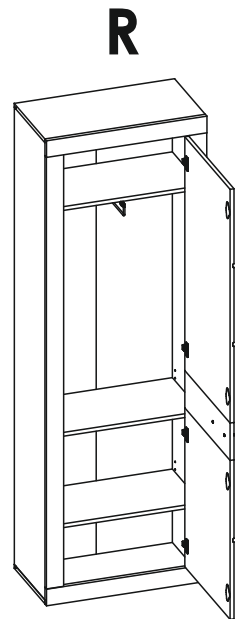
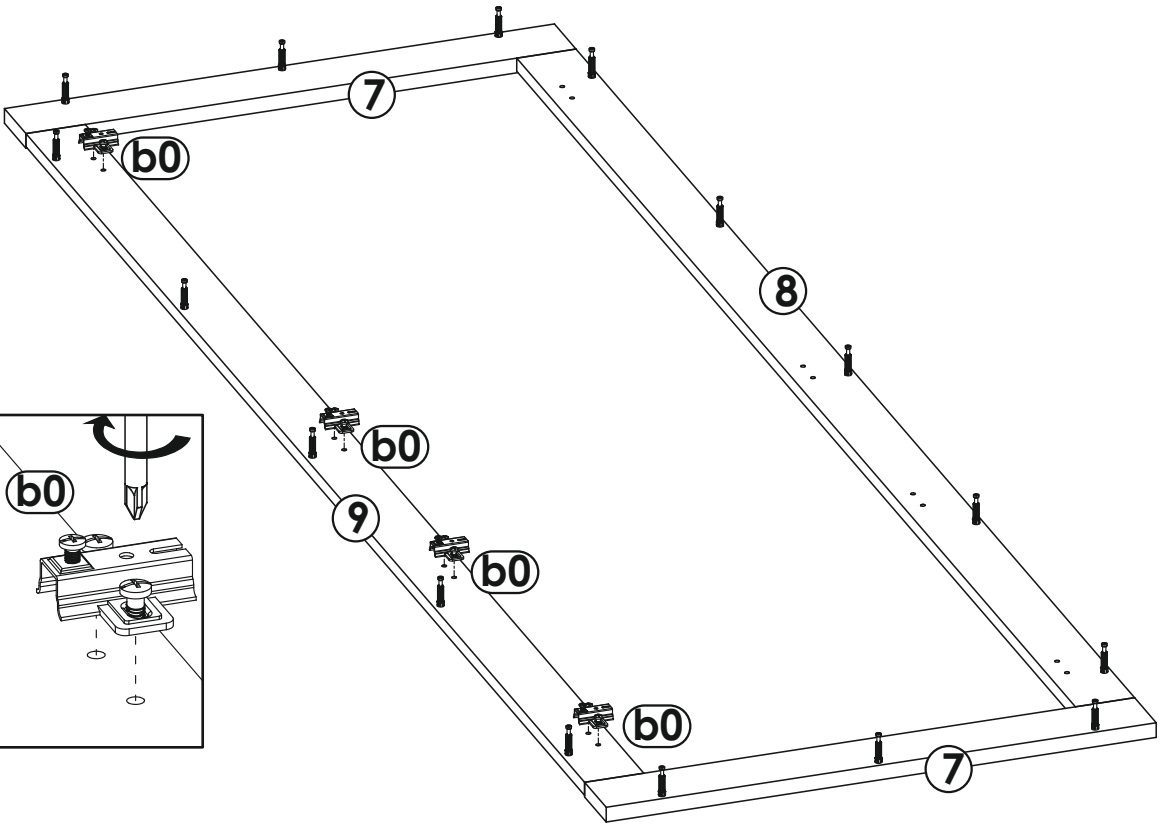
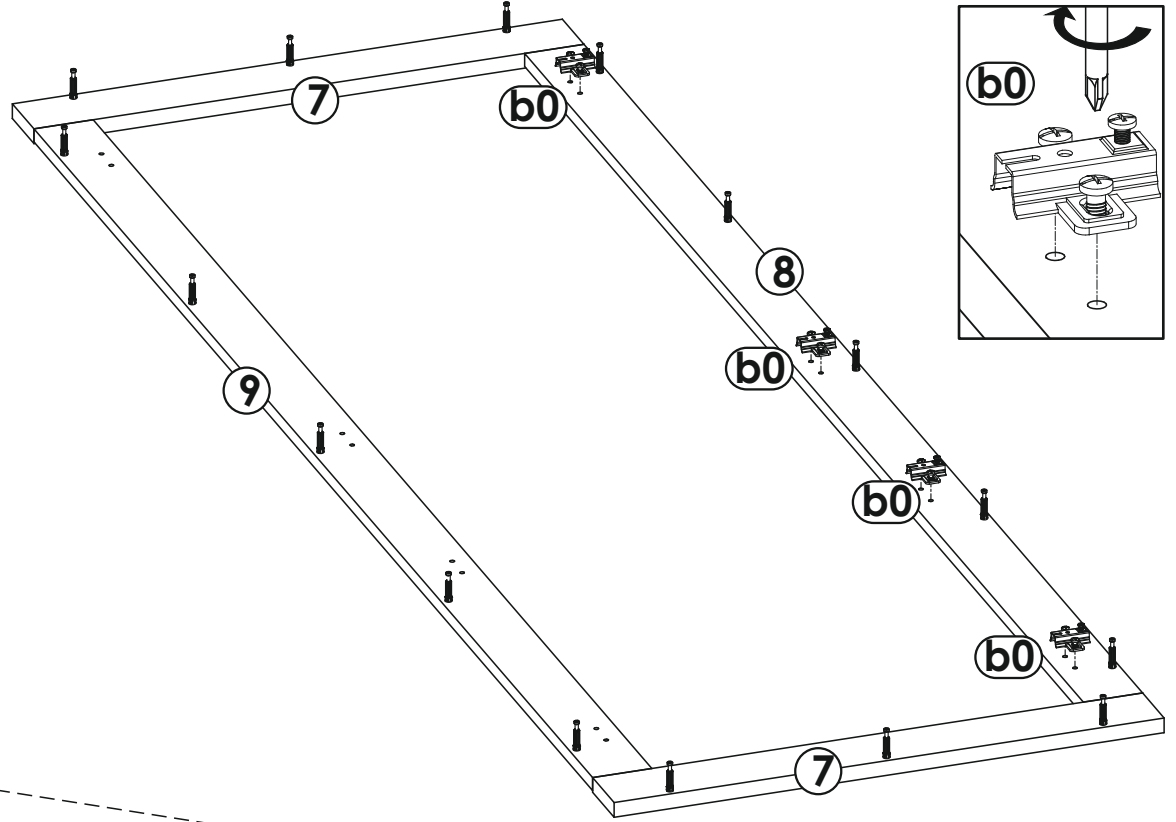
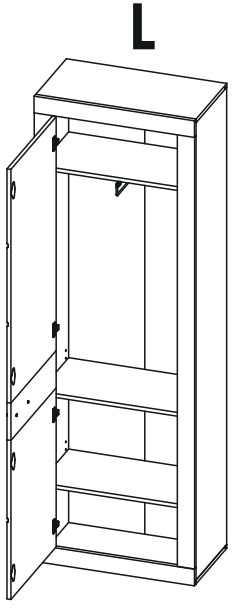
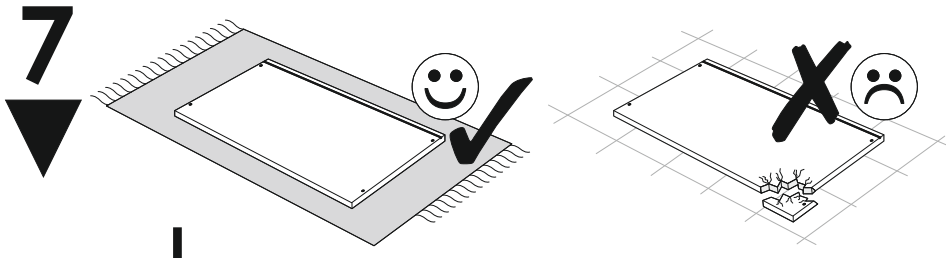
4
▼



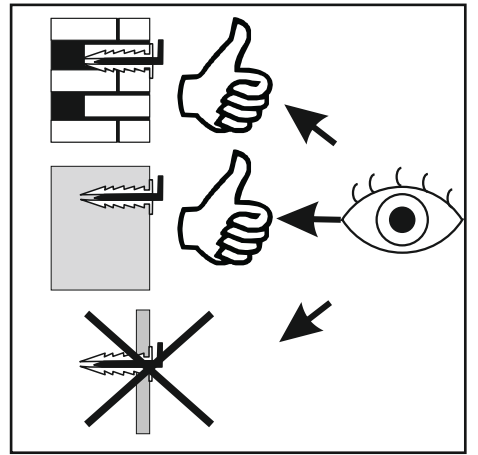
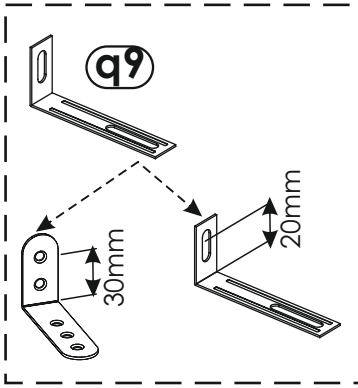
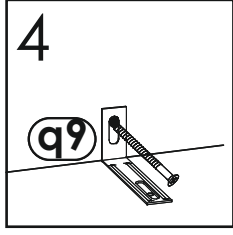
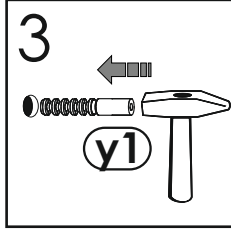
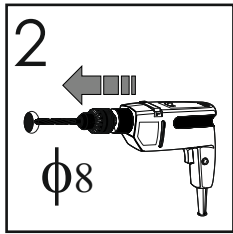
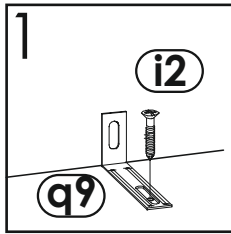
5
▼





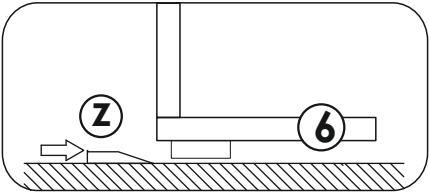
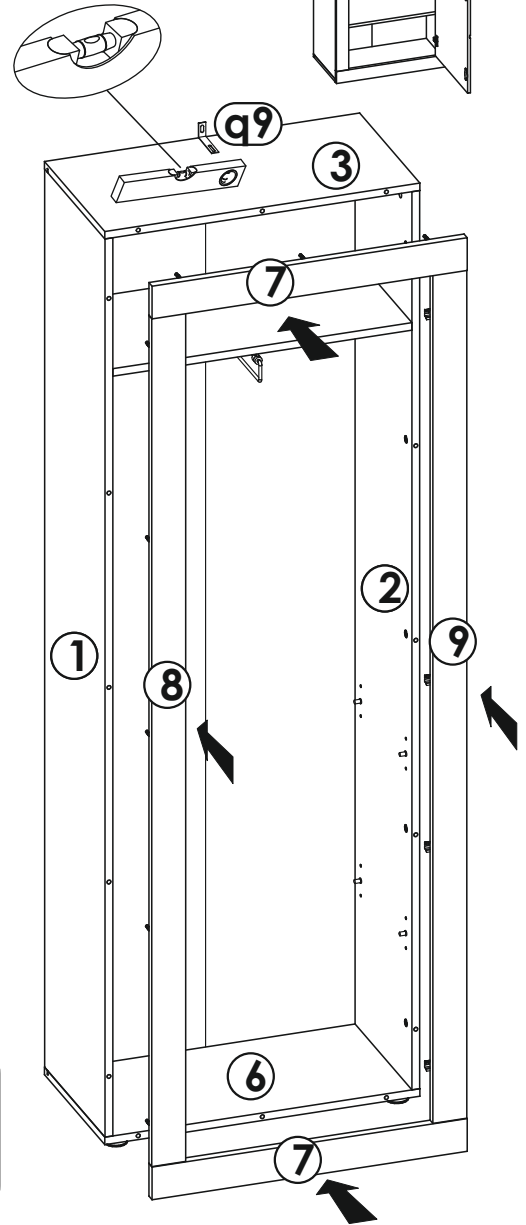
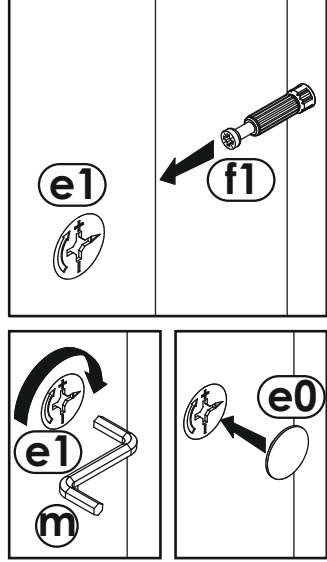
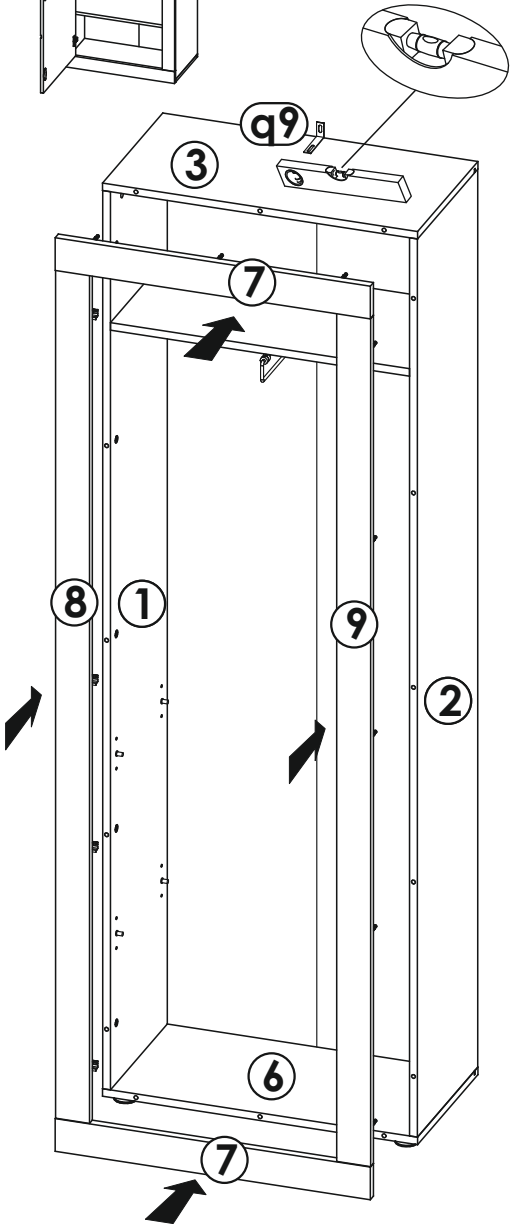
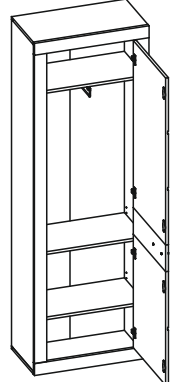
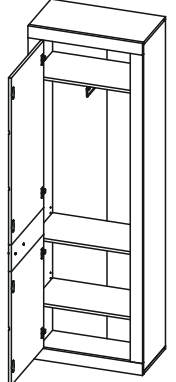


8

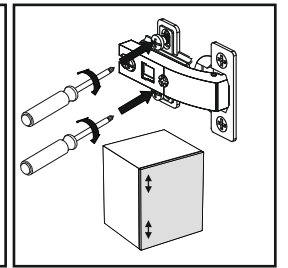
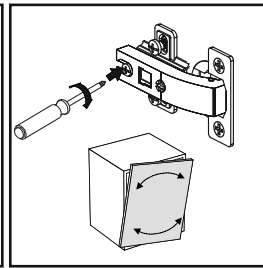
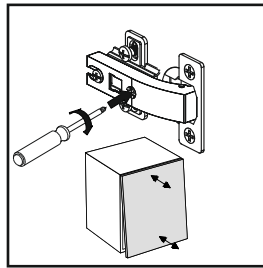
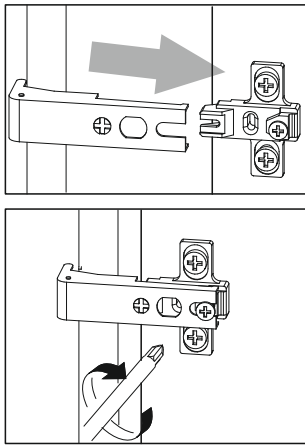


L

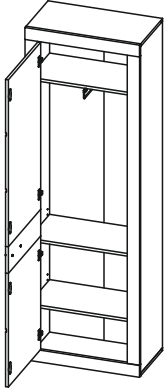
R



9



L



R

