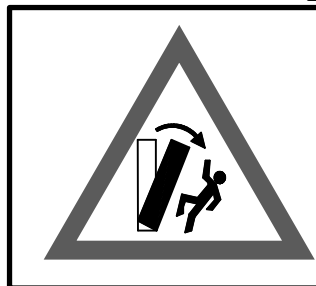
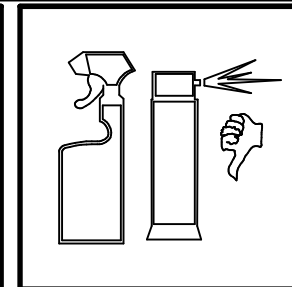
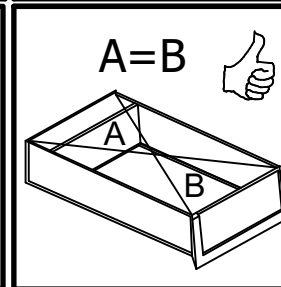
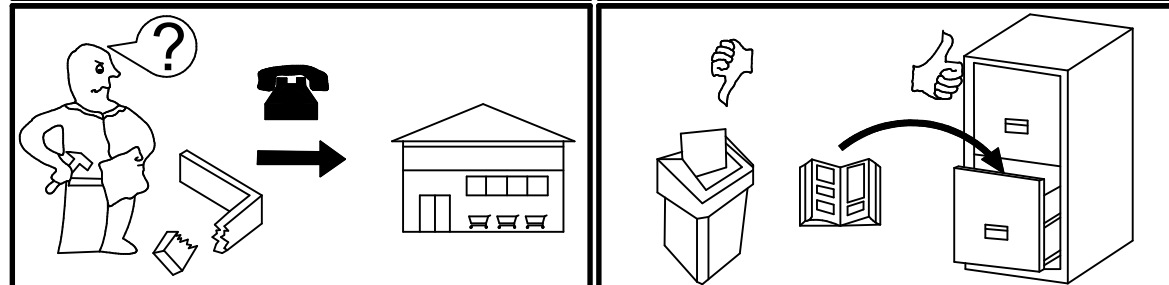
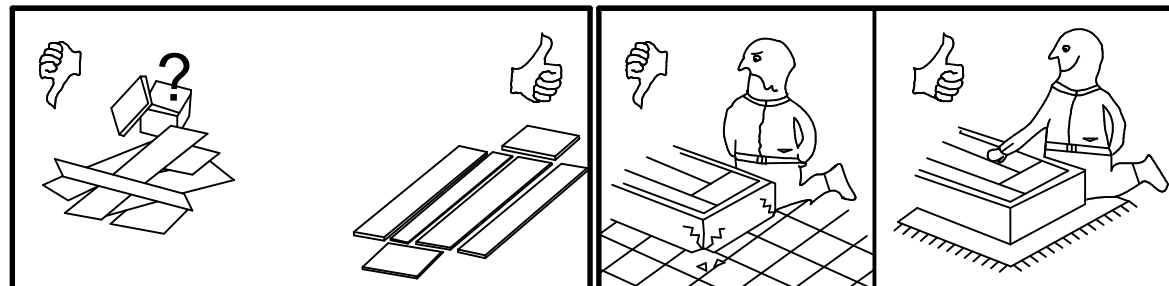
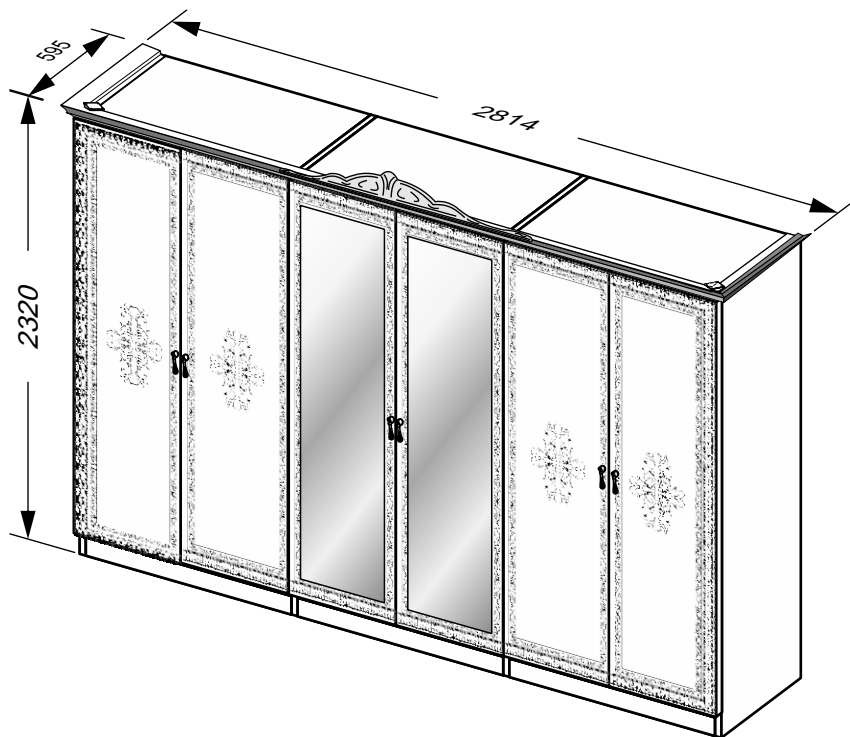
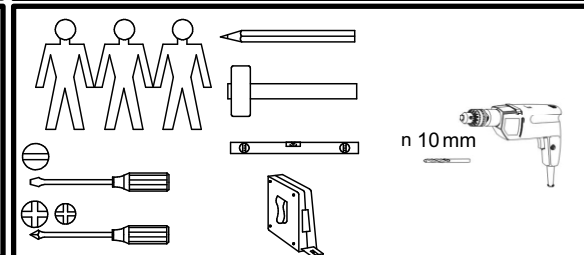
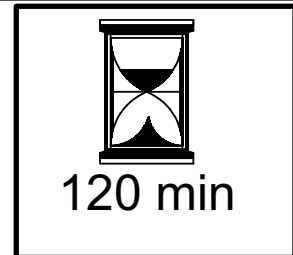
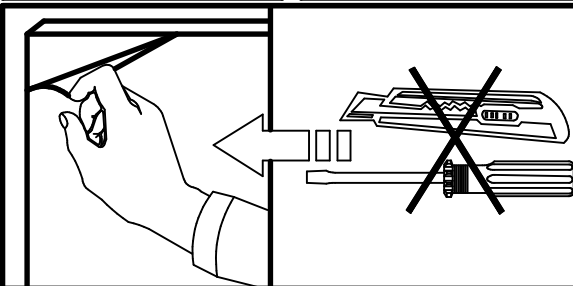


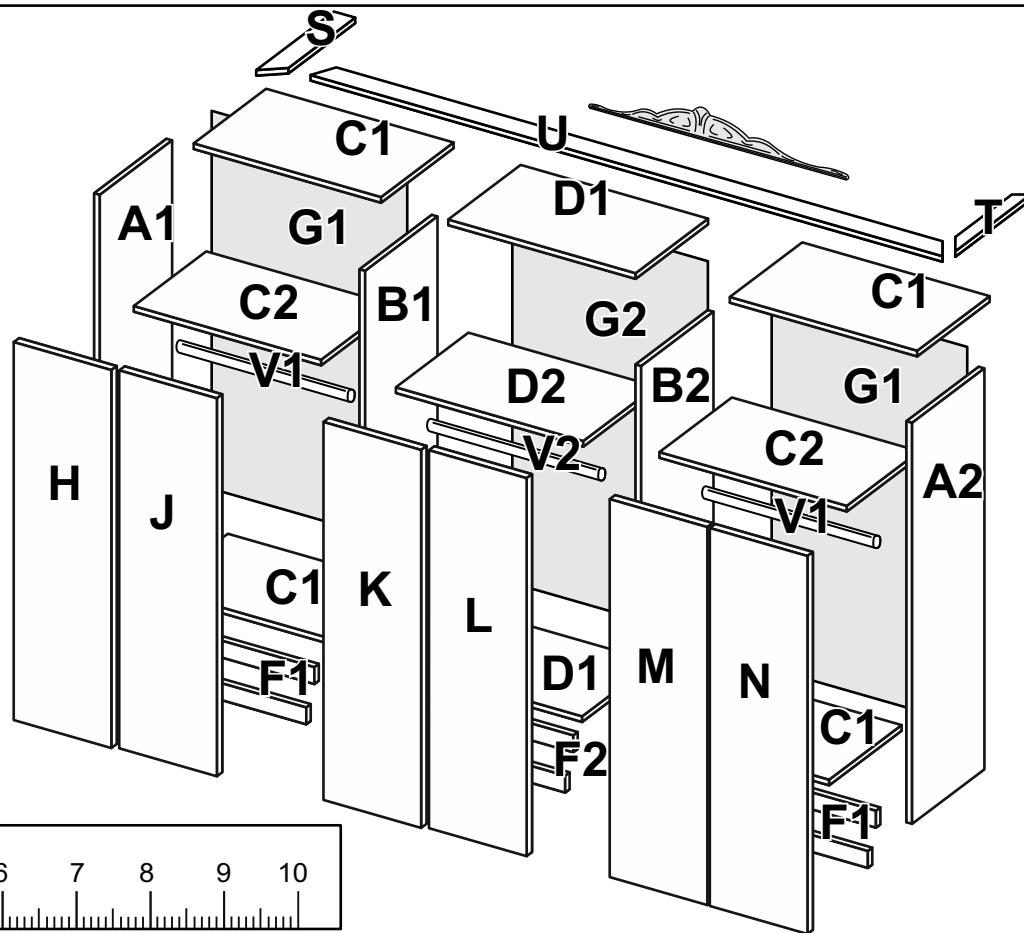
58-372-X4
ELIZA

KLEIDERSCHRANK

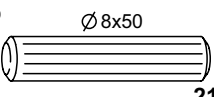
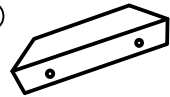
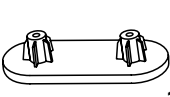
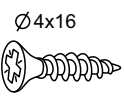

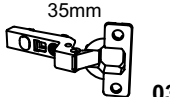
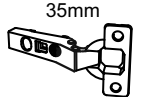
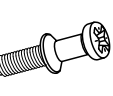
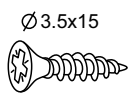
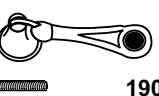
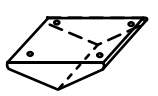

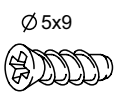
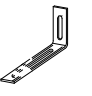

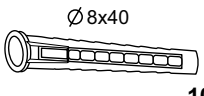
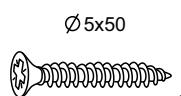
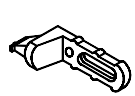
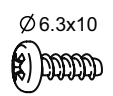
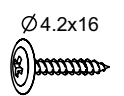
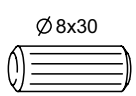




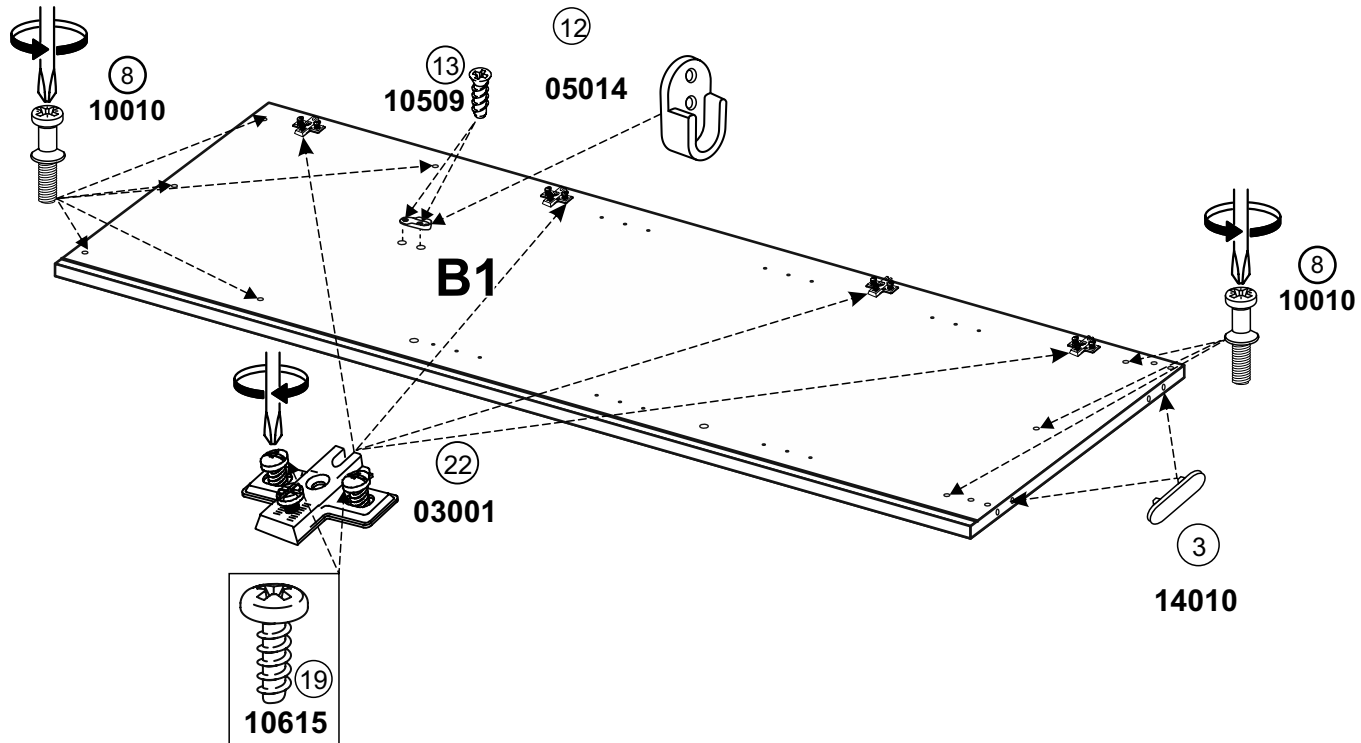
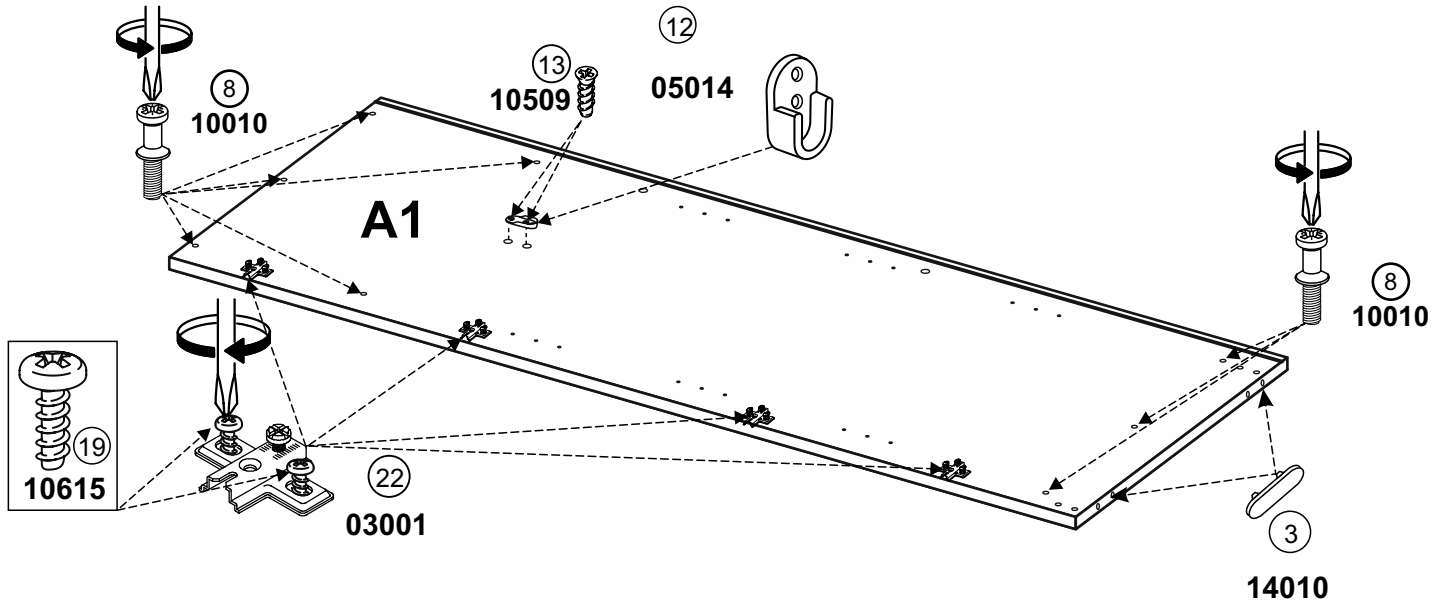
- ⑮ Ø4.2x13 x2 10413
- ⑰ Ø5x50 x2 10442
- ⑭ x2 08011
- ⑯ x2 10014



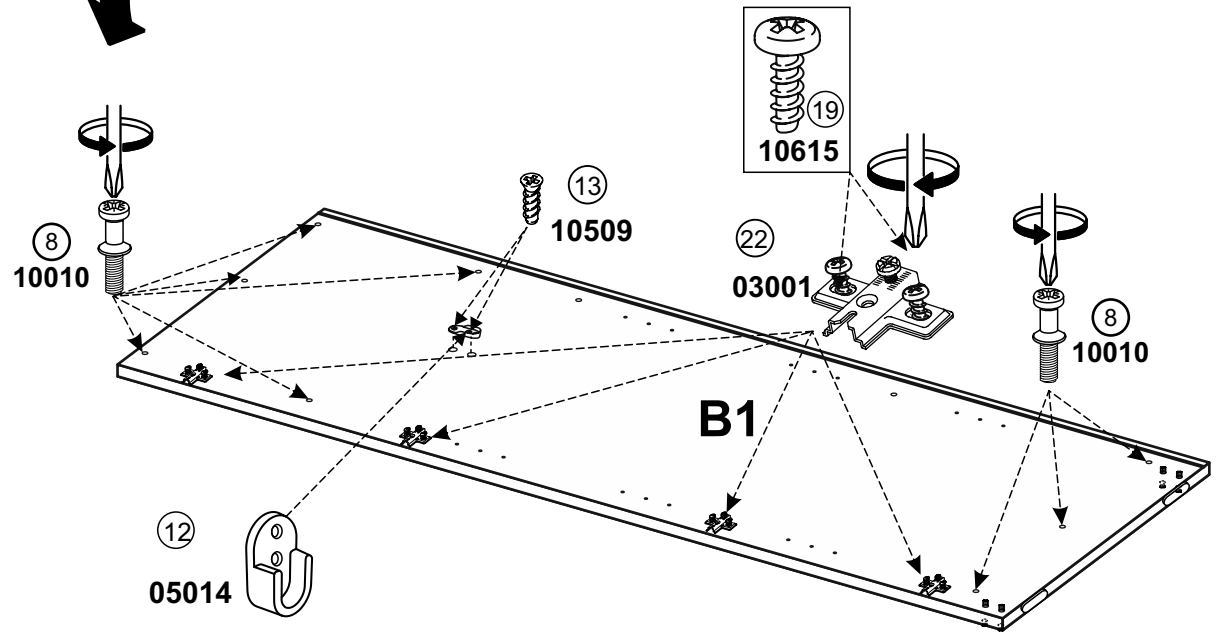
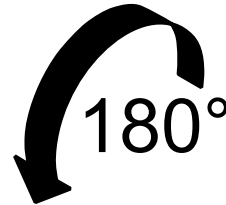
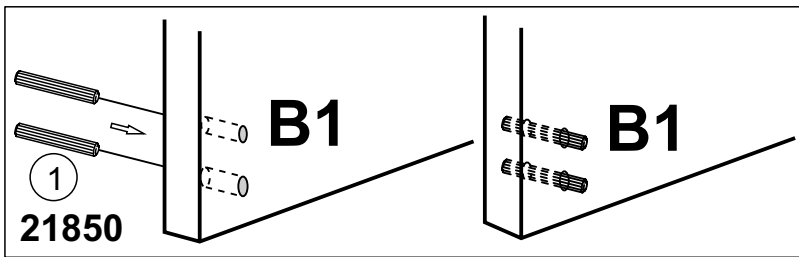
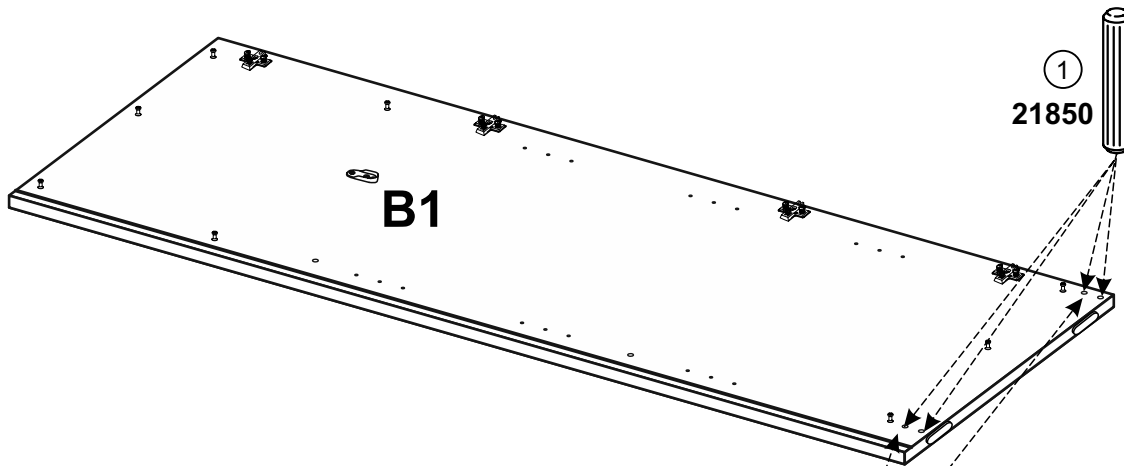


Teil	Maß	St	Colli
A1-	2102 x 530 x16	- x 1	1/8
A2-	2102 x 530 x16	- x 1	1/8
B1-	2102 x 530 x16	- x 1	2/8
B2-	2102 x 530 x16	- x 1	2/8
C1-	870 x 530 x16	- x 4	4/8
C2-	870 x 516 x16	- x 2	4/8
D1-	878 x 530 x16	- x 2	3/8
D2-	878 x 516 x16	- x 1	3/8
F1-	870 x 50 x16	- x 4	3/8
F2-	878 x 50 x16	- x 2	3/8
G1-	2028 x 880 x 3	- x 2	2/8
G2-	2028 x 886 x 3	- x 1	1/8
H -	2050 x 444 x18	- x 1	5/8
J -	2050 x 444 x18	- x 1	6/8
K -	2050 x 444 x18	- x 1	7/8
L -	2050 x 444 x18	- x 1	7/8
M -	2050 x 444 x18	- x 1	6/8
N -	2050 x 444 x18	- x 1	5/8
V1-	862	- x 2	3/8
V2-	870	x 1	3/8
S -	596 x 97 x25	- x 1	8/8
T -	596 x 97 x25	- x 1	8/8
U -	2814 x 97 x25	- x 1	8/8

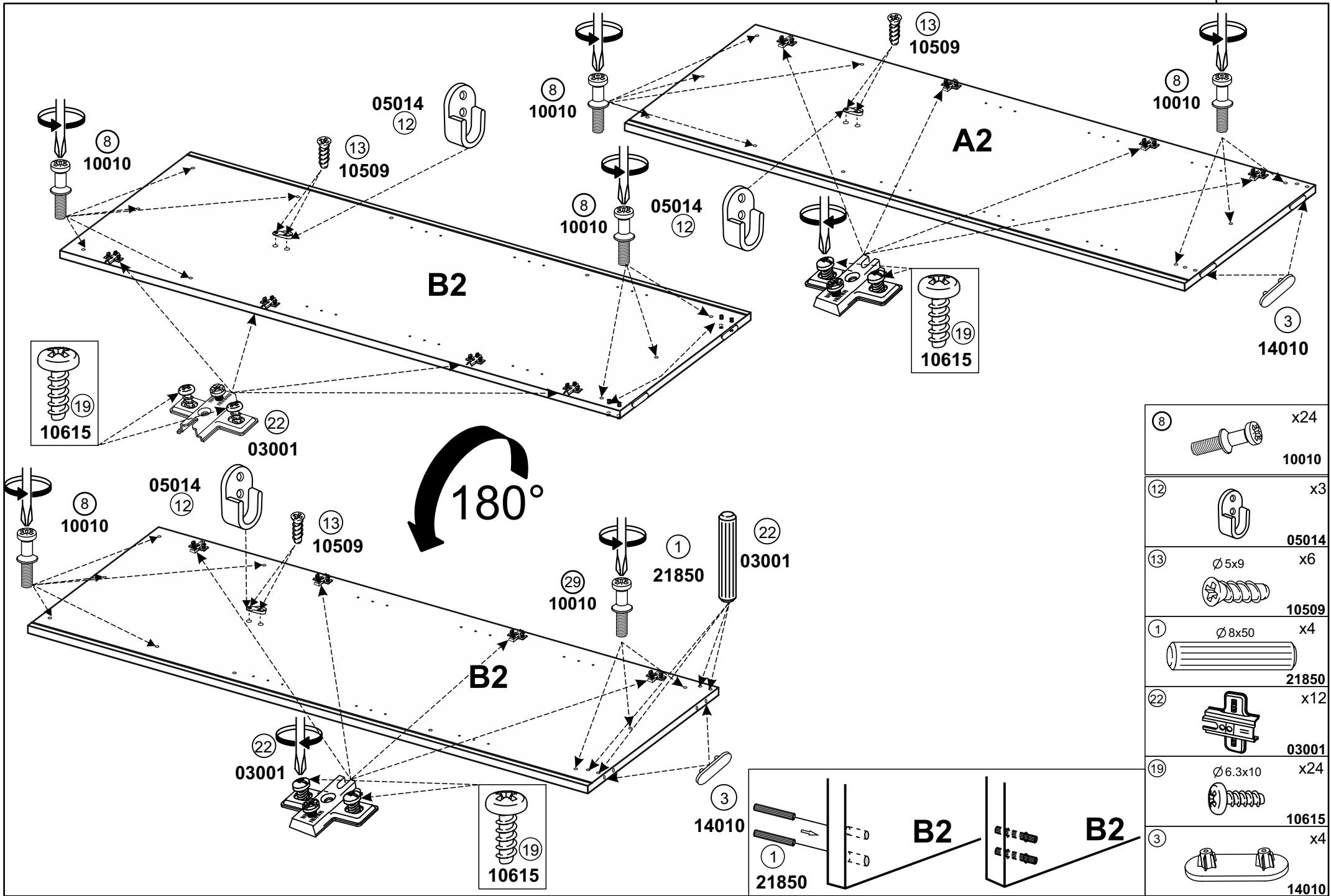
①  $\varnothing 8 \times 50$ x8 21850	②  x2 08010	③  x8 14010	④  $\varnothing 4 \times 16$ x48 10416	⑤  x12 01001	⑥  35mm x16 03357	⑦  35mm x8 03360
⑧  x48 10010	⑨  $\varnothing 3.5 \times 15$ x12 10315	⑩  x6 4x22 19030	⑪  x2 08004	⑫  x6 05014	⑬  $\varnothing 5 \times 9$ x12 10509	⑭  x2 08011
⑮  $\varnothing 4.2 \times 13$ x4 10413	⑯  $\varnothing 8 \times 40$ x2 10014	⑰  $\varnothing 5 \times 50$ x2 10442	⑱  x12 05030	⑲  $\varnothing 6.3 \times 10$ x60 10615	⑳  $\varnothing 4.2 \times 16$ x8 10417	㉑  $\varnothing 8 \times 30$ x8 21008
㉒  x24 03001	㉓  $\varnothing 4.2 \times 19$ x12 10419					



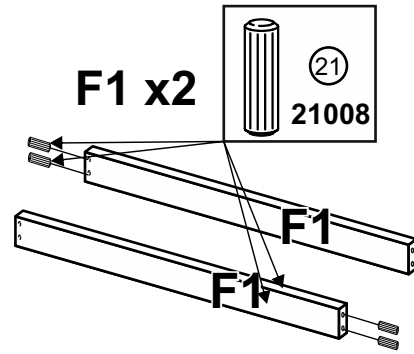
8		x16
3		x4
22		x8
19		x16
12		x2
13		x4



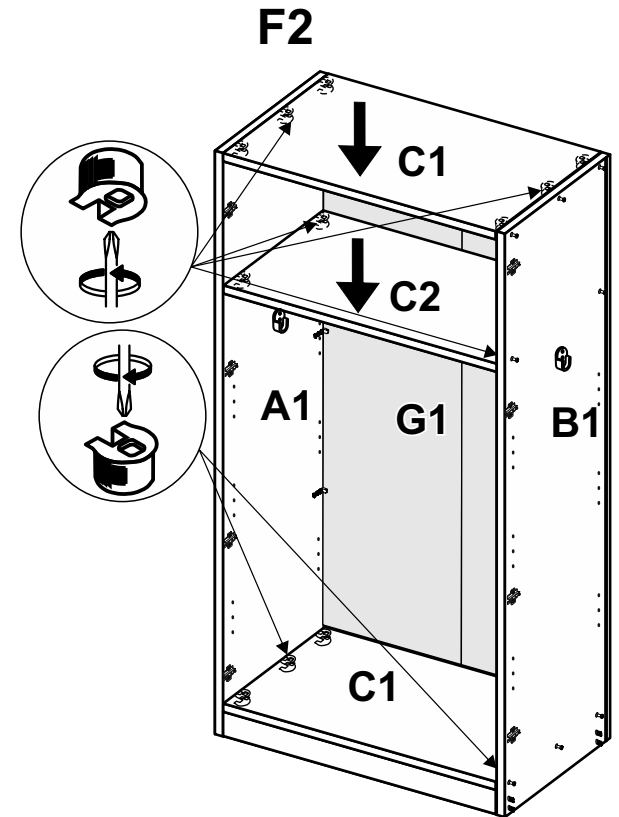
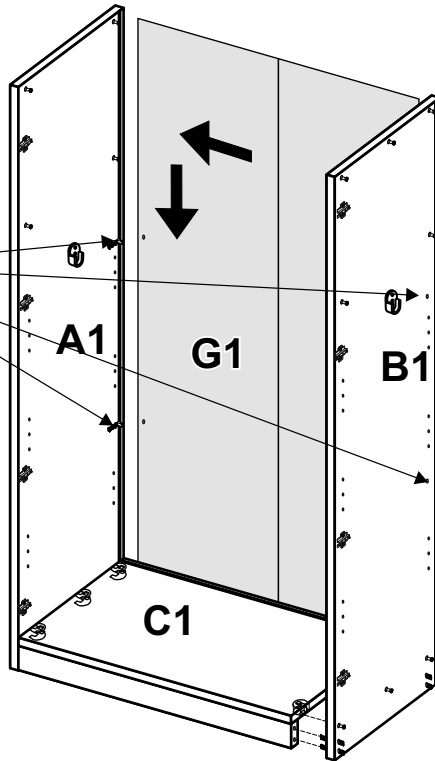
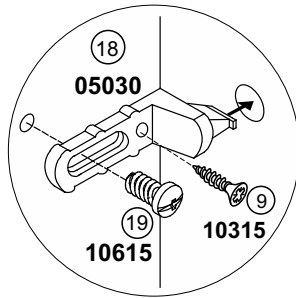
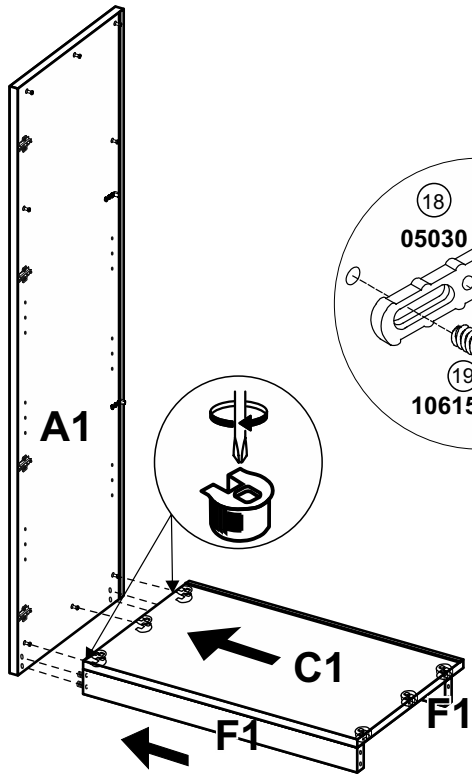
8		x8
		10010
22		x4
		03001
19		x8
		10615
12		x1
		05014
13		x2
		10509
1		x4
		21850

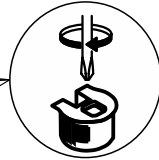
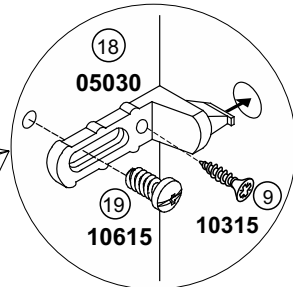
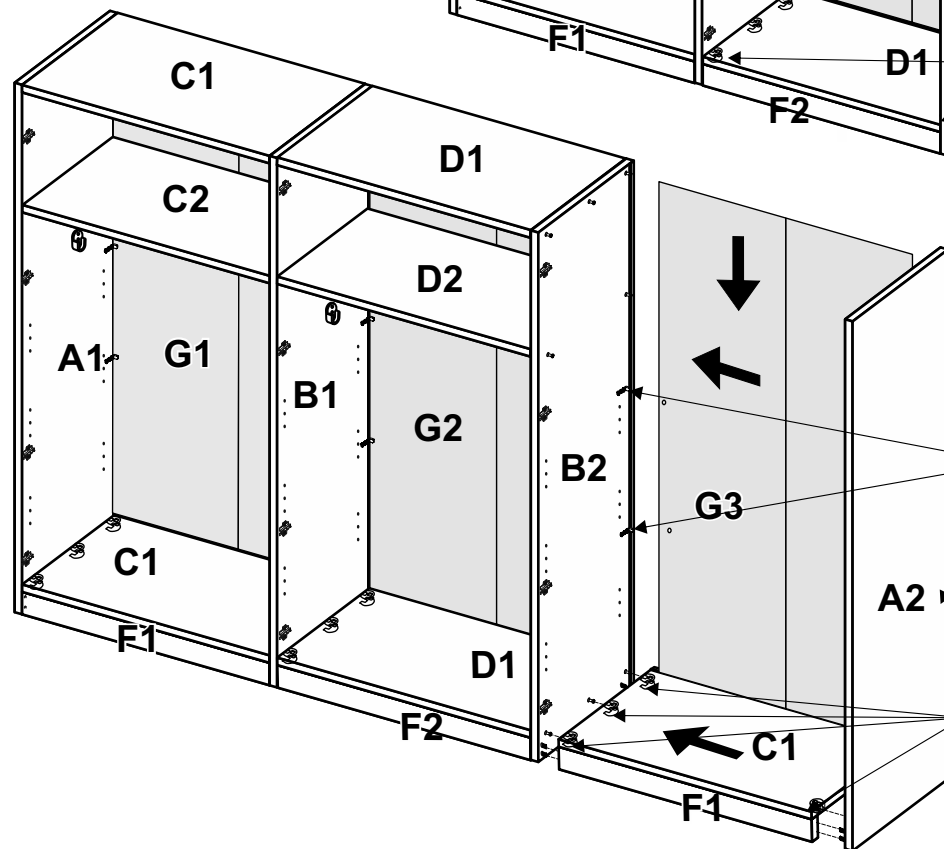
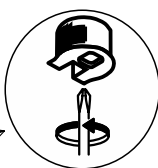
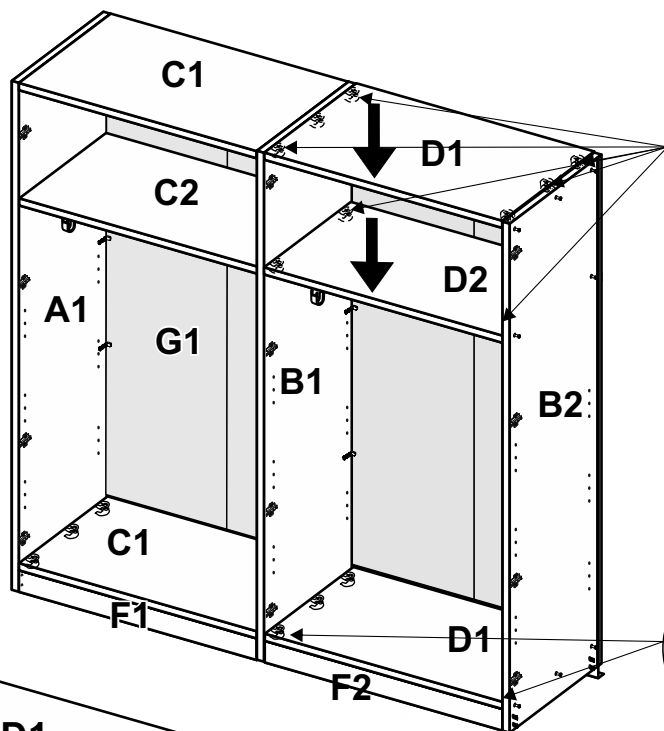
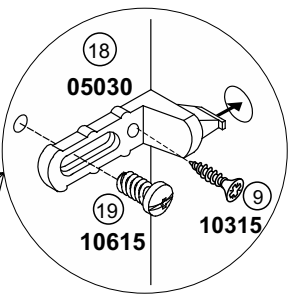
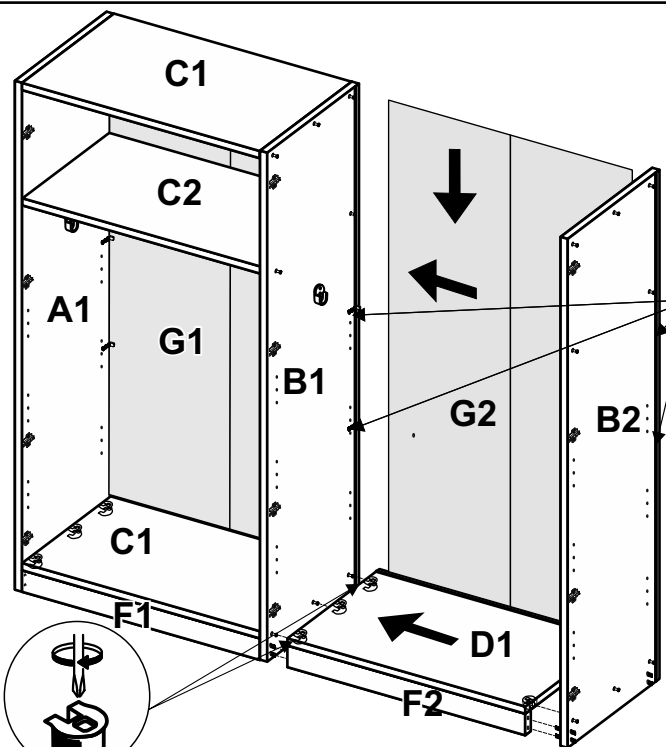


8	x24
	10010
12	x3
	05014
13	x6
	10509
1	x4
	21850
22	x12
	03001
19	x24
	10615
3	x4
	14010

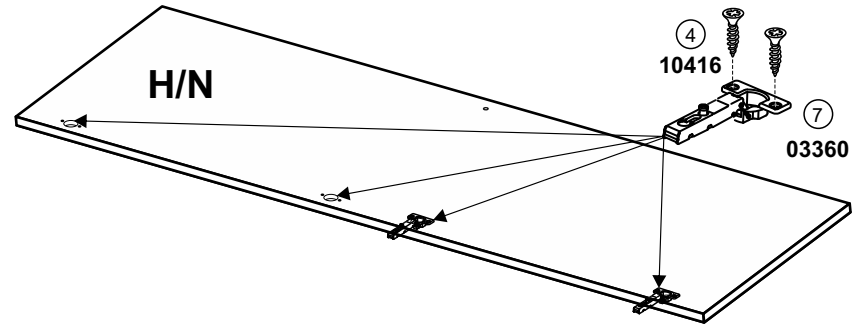
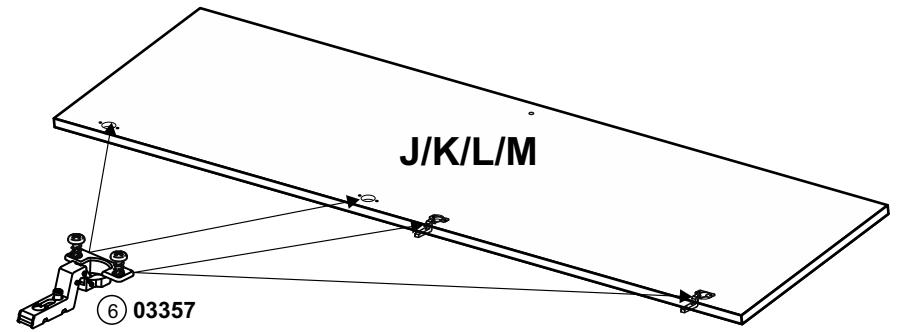
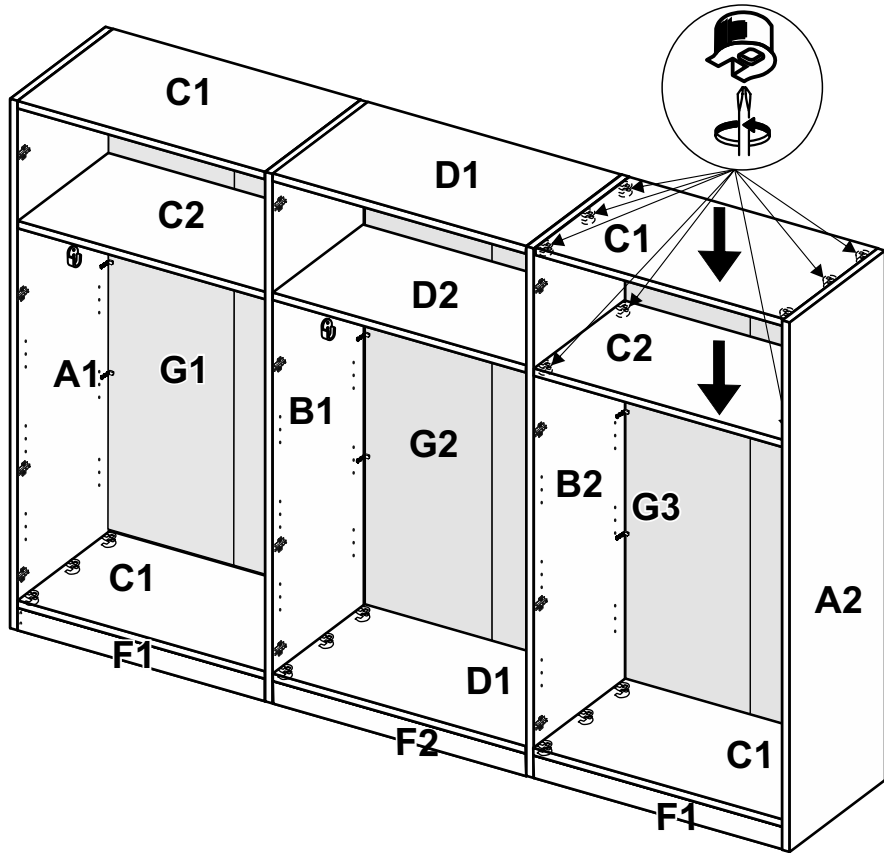


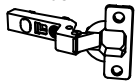
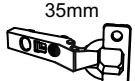

(21)	Ø 8x30	x4	21008
(18)		x4	05030
(19)	Ø 6.3x10	x4	10615
(9)	Ø 3.5x15	x4	10315

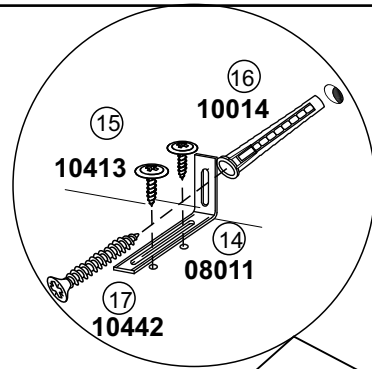
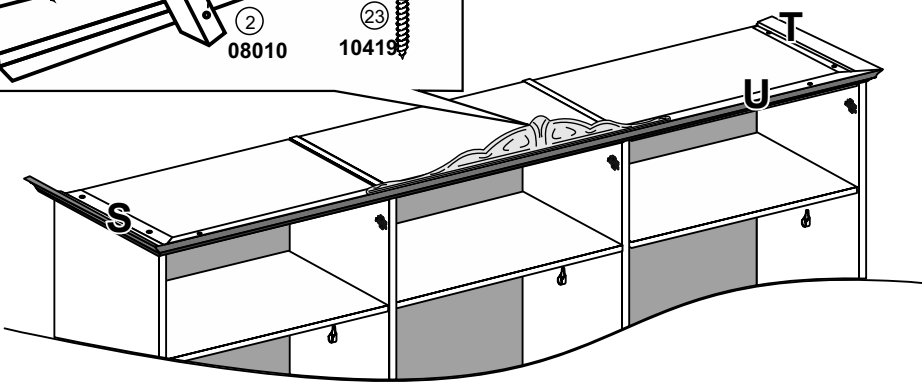
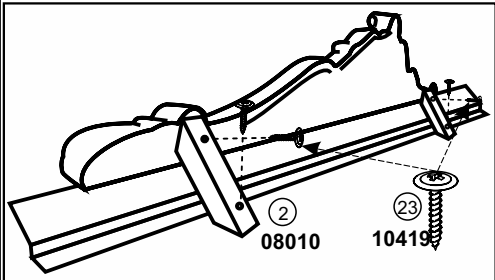
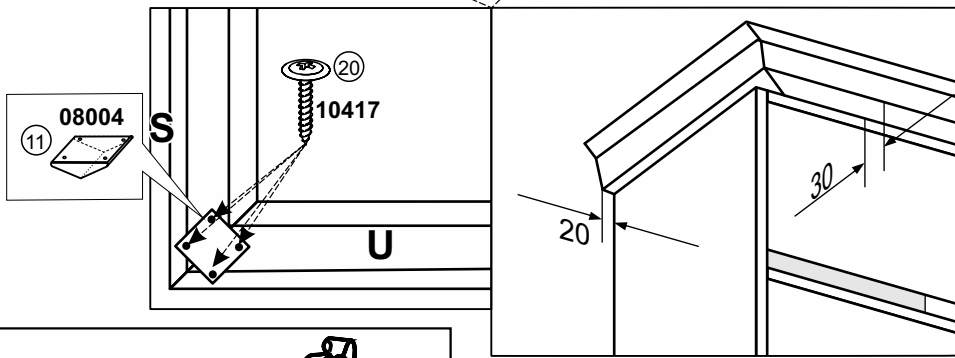
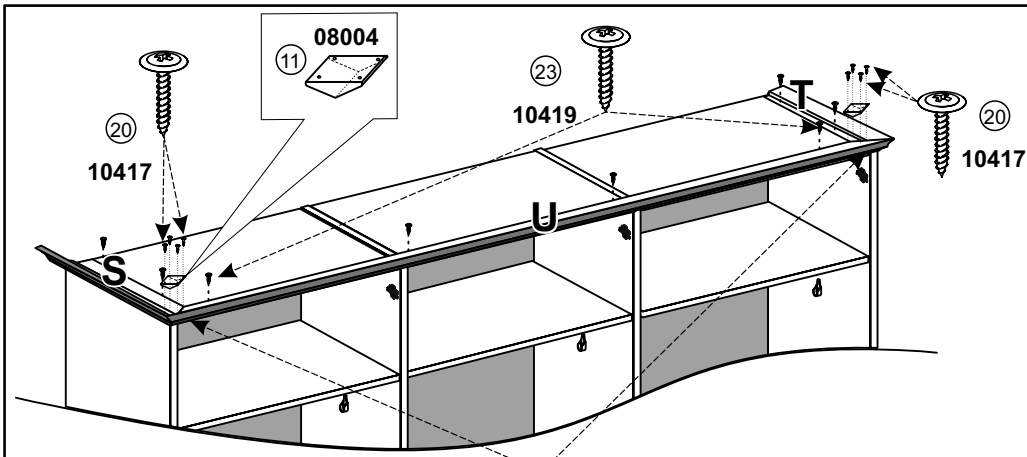




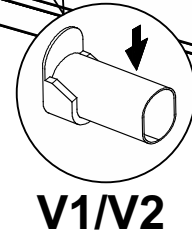
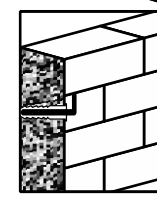
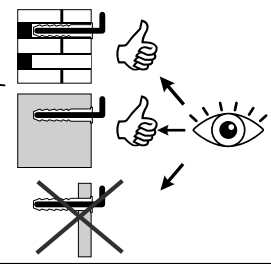
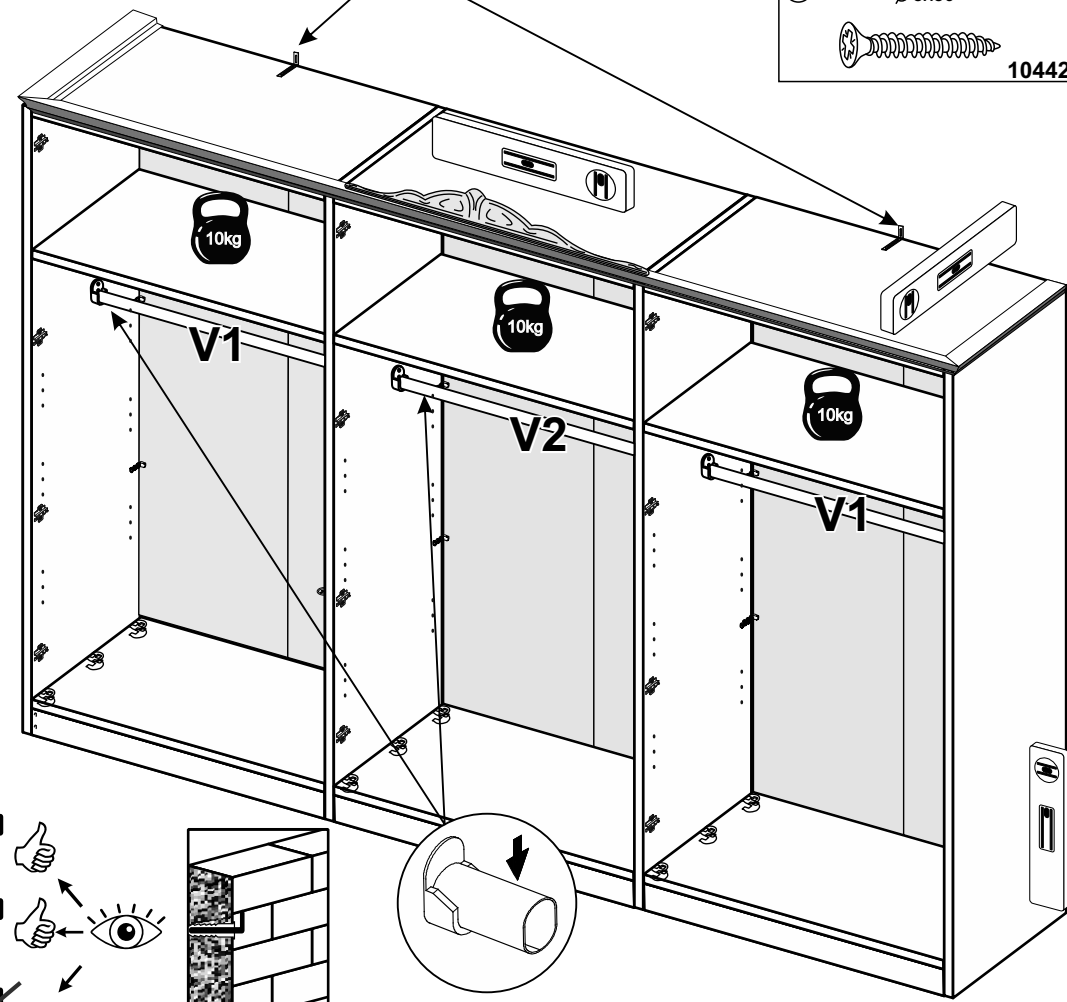
- | | | |
|-------|----------|----|
| 9 | Ø 3.5x15 | x8 |
| | | |
| 10315 | | x8 |
| | | |
| 18 | | x8 |
| | | |
| 05030 | | x8 |
| | | |
| 19 | Ø 6.3x10 | x8 |
| | | |
| 10615 | | |






⑥	35mm	x16		03357
⑦	35mm	x8		03360
④	Ø4x16	x48		10416



23	Ø 4.2x19	x12	11		x2
				08004	
15	Ø 4.2x13	x4	20	Ø 4.2x16	x8
				10417	
14		x2	16	Ø 8x40	x2
				10014	
			17	Ø 5x50	x2
				10442	



V1/V2

- (10)  x6
- 4x22  19030
- (5)  x12
- 01001

