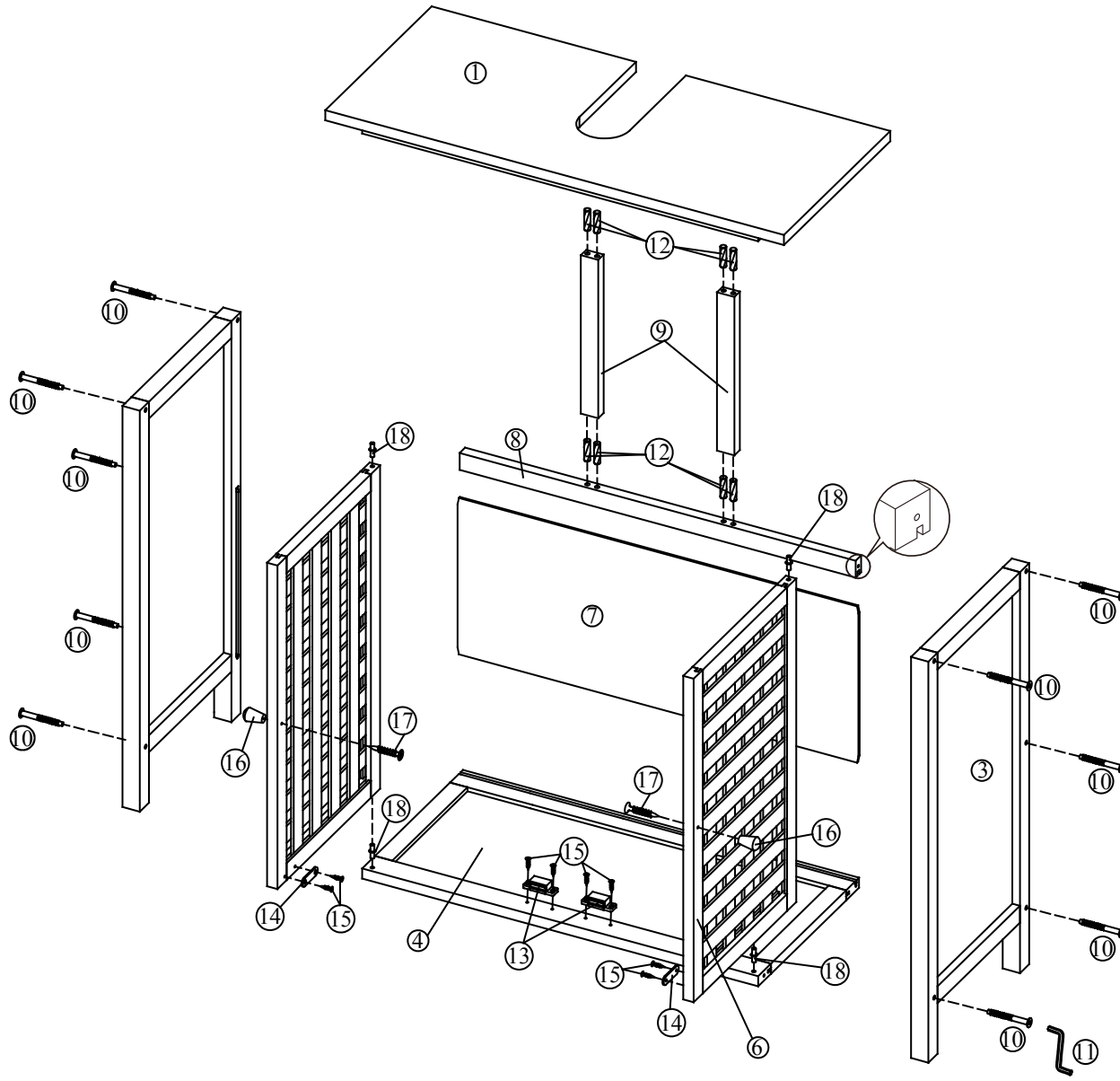
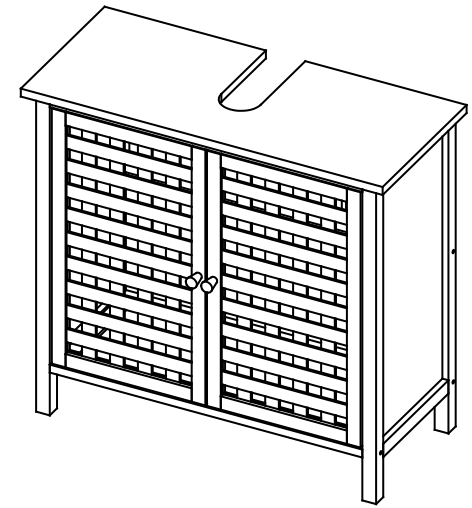
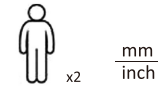


B422057 ASSEMBLY INSTRUCTION



①x1 	②x1 	③x1
④x1 		
⑤x1 	⑥x1 	⑦x1
	⑧x1 	⑨x2
⑩x10 	⑪x1 	⑫x8
⑬x2 	⑭x2 	⑮x8 $\frac{\phi 3.5 \times 12}{\phi 0.1 \times 0.5}$
⑯x2 	⑰x2 $\frac{\phi 3.5 \times 25}{\phi 0.1 \times 1.0}$ 	⑱x4