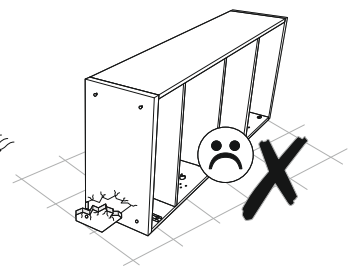
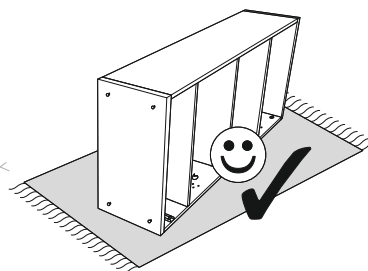
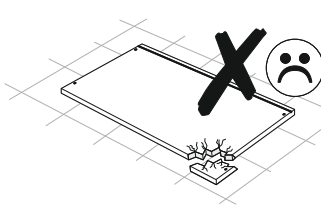
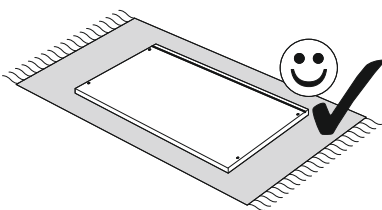
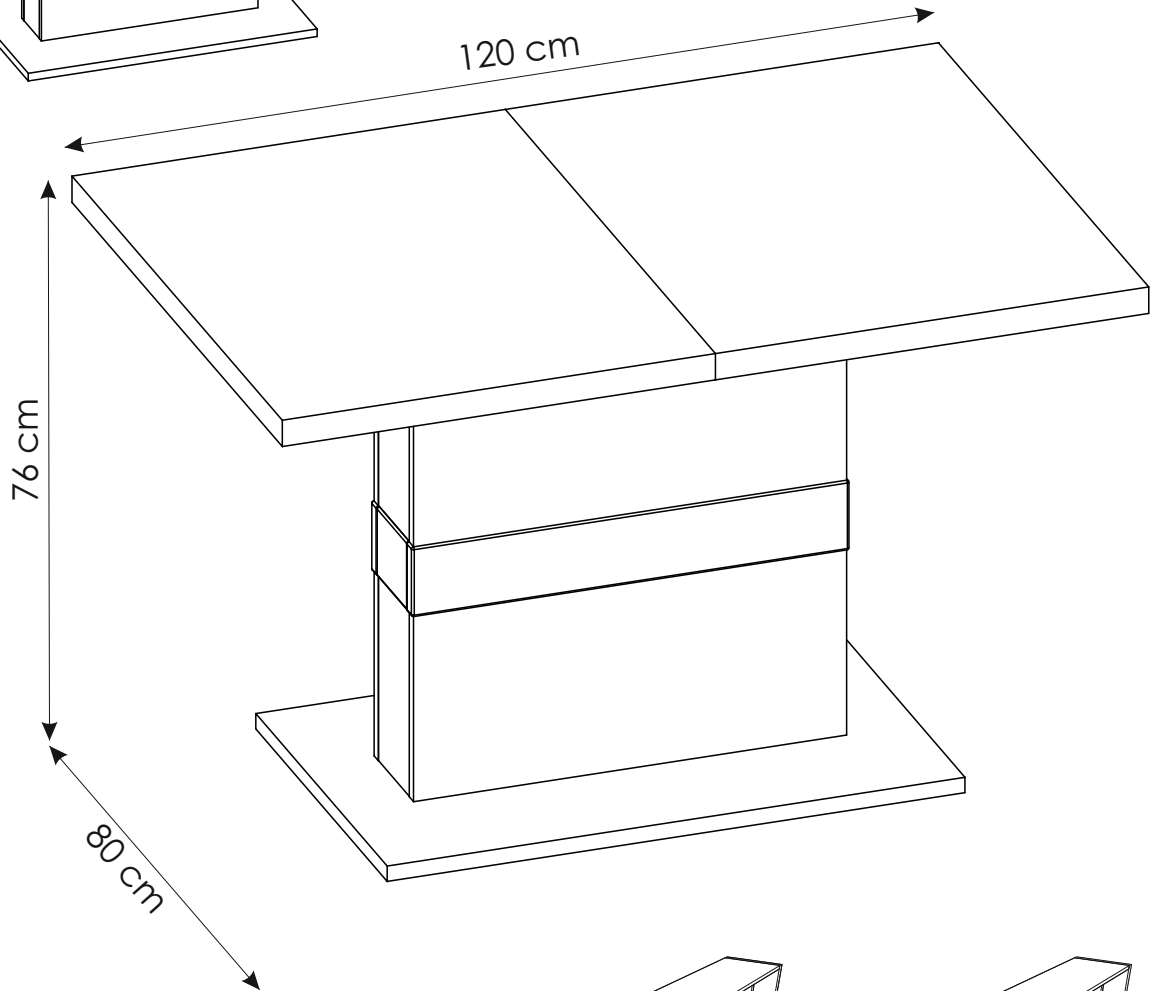
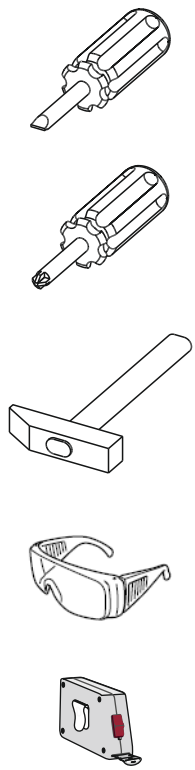
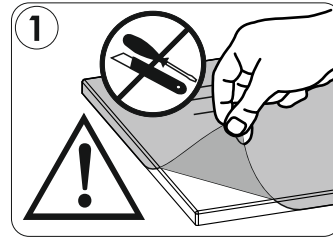
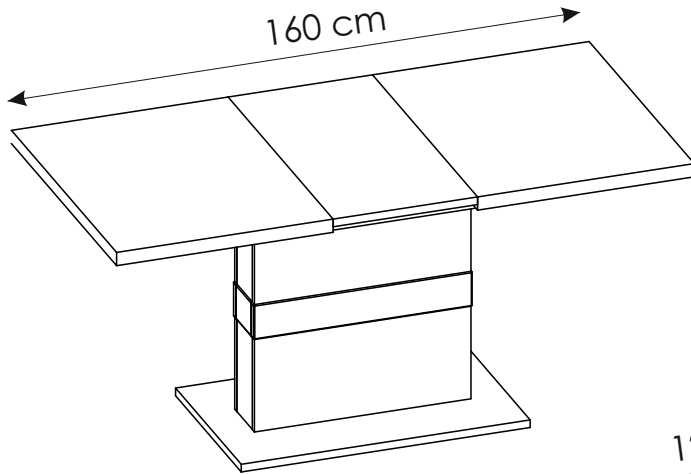
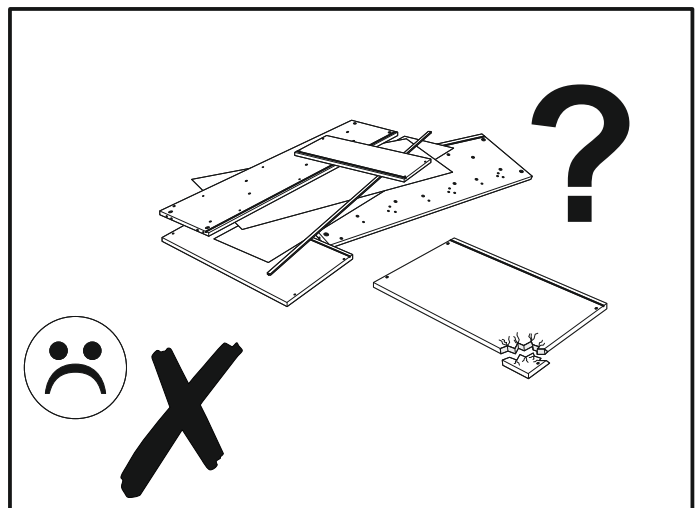
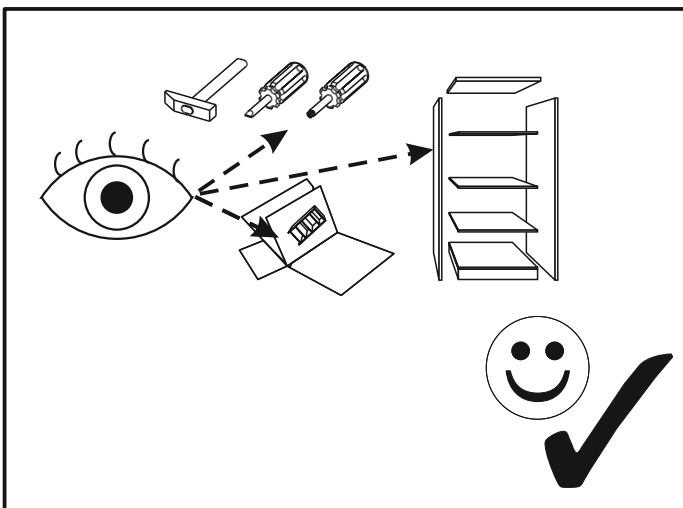
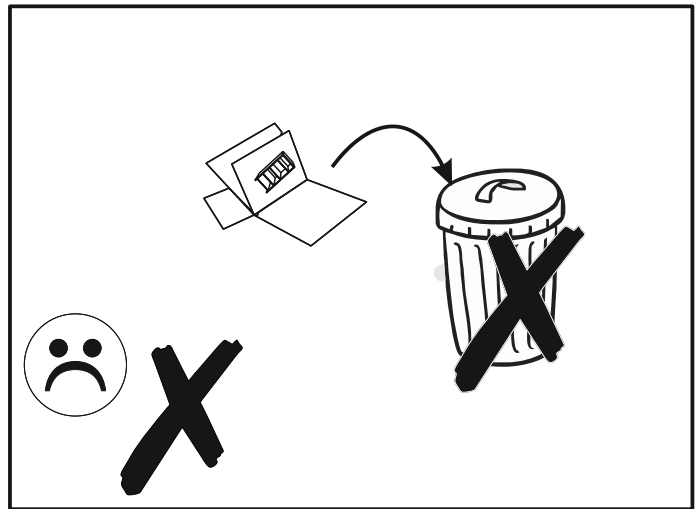
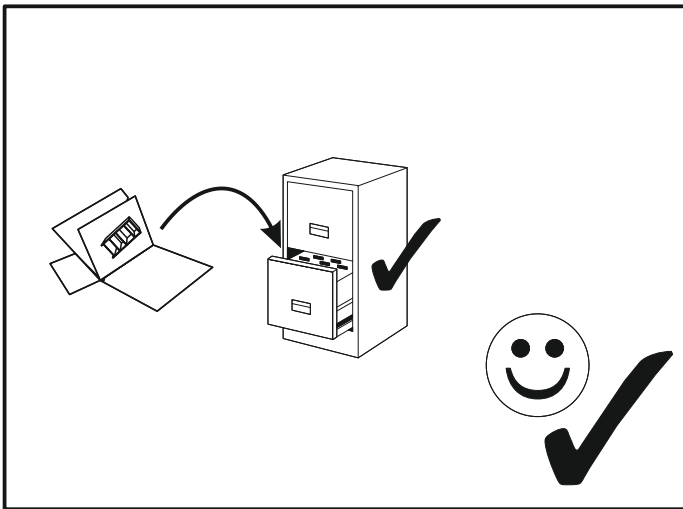
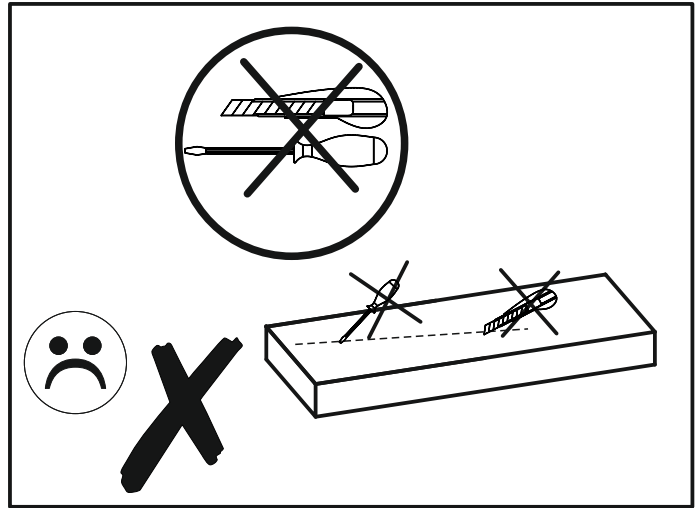
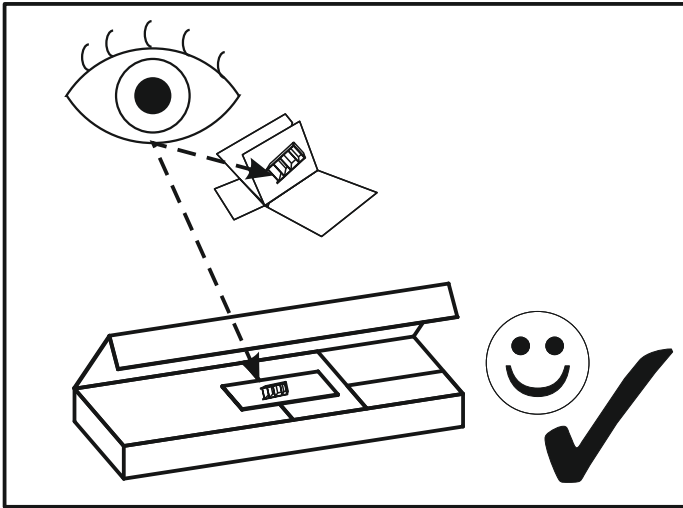


Luca
BESSONI


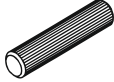

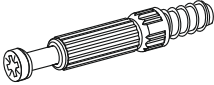
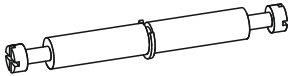
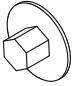





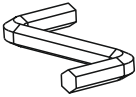

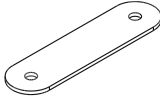
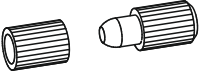
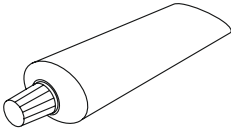
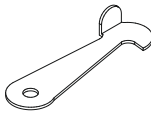
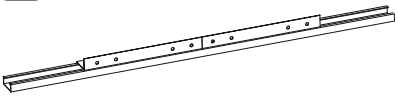
JAMES WOOD
INTERIOR

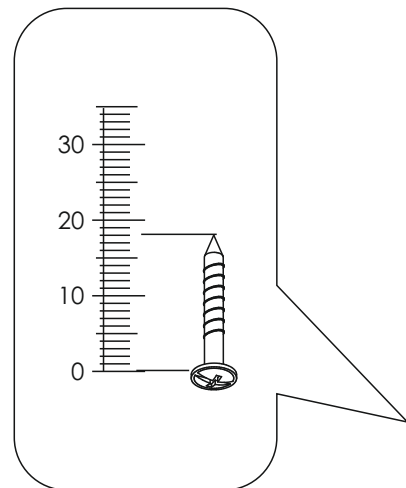
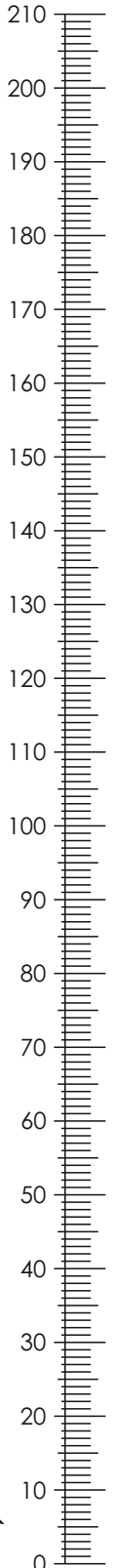
AVENSIS MDT 09 KASHMIR MDT 09 OAKLAND MDT 09



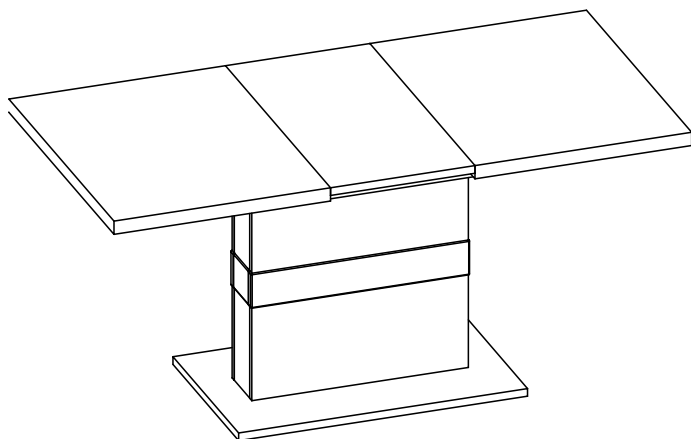


AVENSIS MDT 09 KASHMIR MDT 09 OAKLAND MDT 09

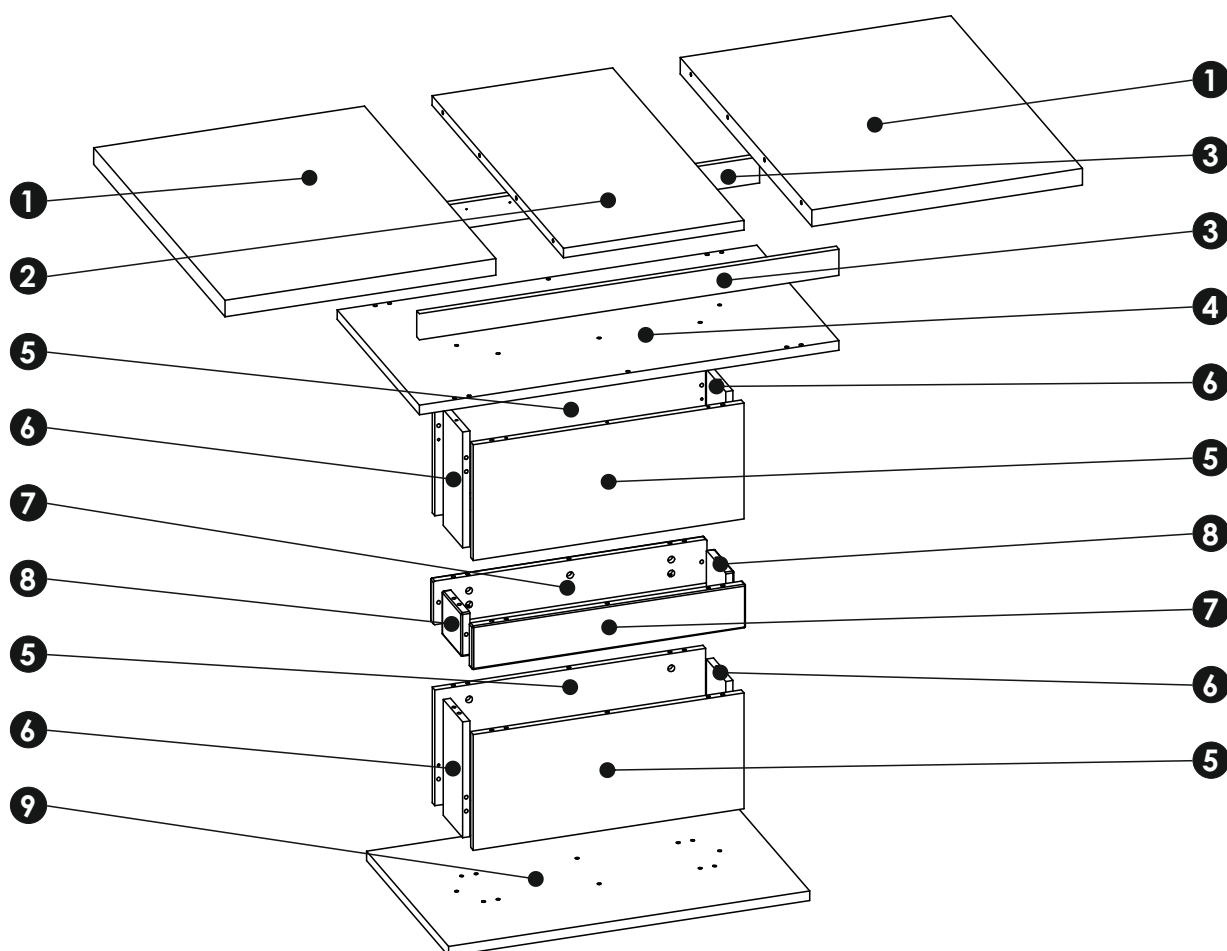
A1 8 x 35 mm x24 	A2 8 x 45 mm x16 	E1 15 x 12 mm x32 
ET Luca BESSONI / JAMES WOOD INTERIOR x1	F1 6 x 34 mm x8 	F3 7 x 58 mm x12 
G0 x14 	G1 7 x 50 mm x14 	G2 7 x 60 mm x8 
I1 3,5 x 16 mm x16 	I2 4 x 16 mm x20 	I3 4 x 20 mm x16 
M x1 	O2A ø20 x10 	Q2 x8 
R8 x8 	S x1 	S19 x4 
T10 x2 		

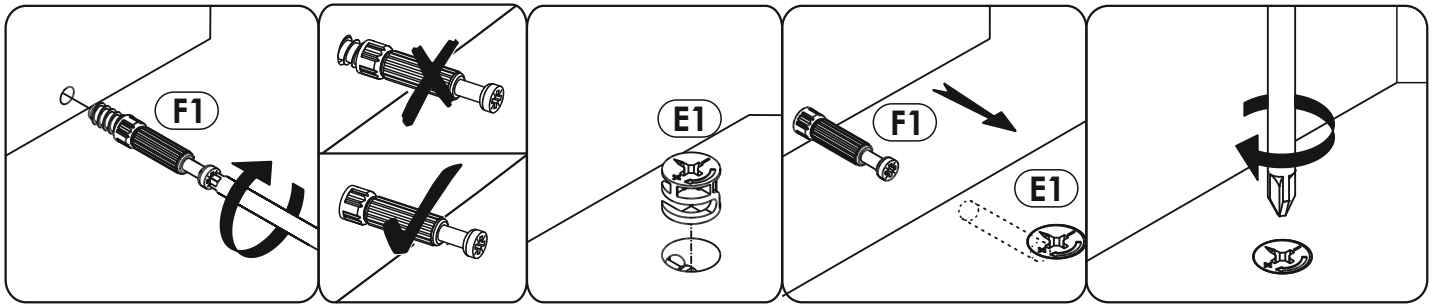


AVENSIS MDT 09 KASHMIR MDT 09 OAKLAND MDT 09

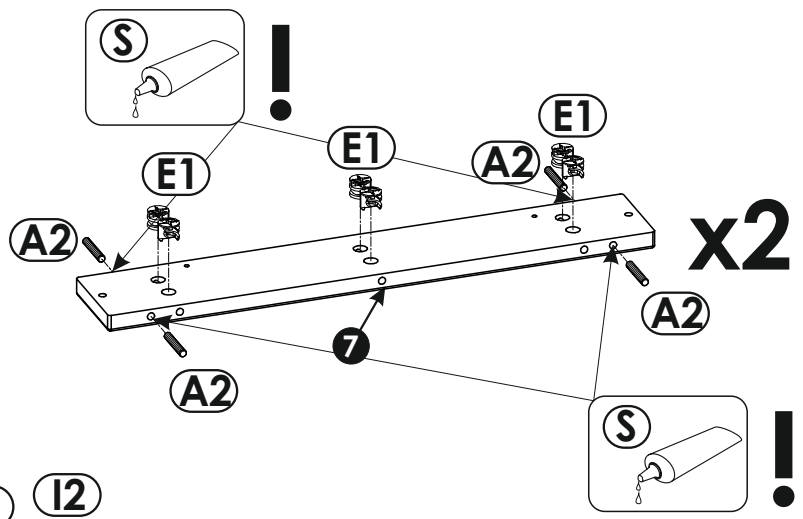
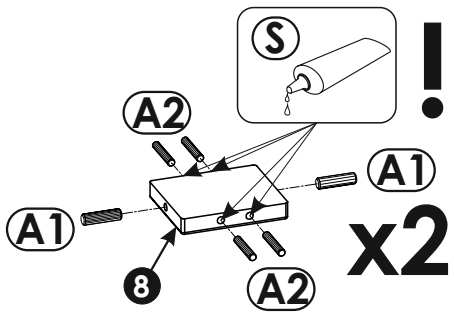
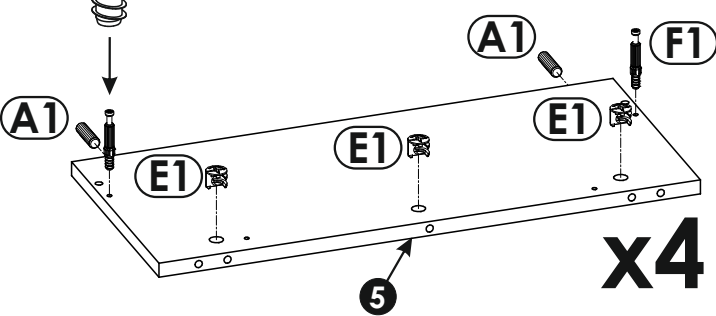
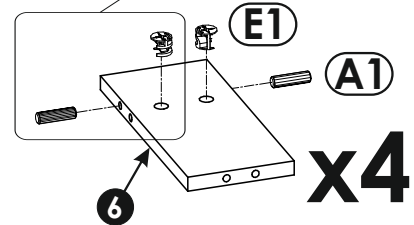
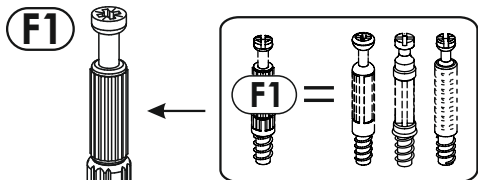
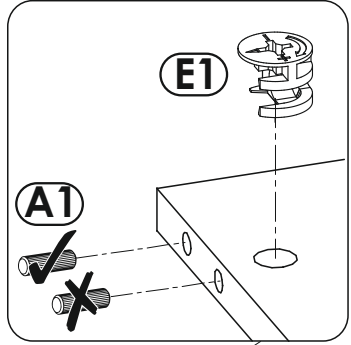


1	800	600	38	x2	2/2
2	800	400	22	x1	2/2
3	930	60	16	x2	1/2
4	930	500	22	x1	1/2
5	600	266	16	x4	1/2
6	118	266	16	x4	1/2
7	600	100	19	x2	2/2
8	118	100	19	x2	2/2
9	800	500	22	x1	1/2

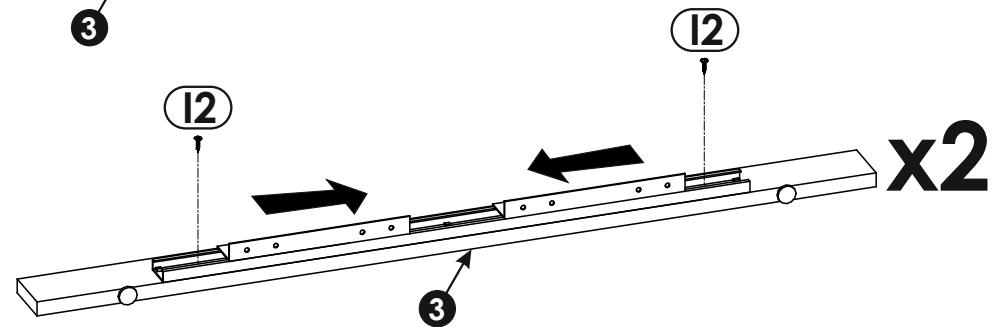
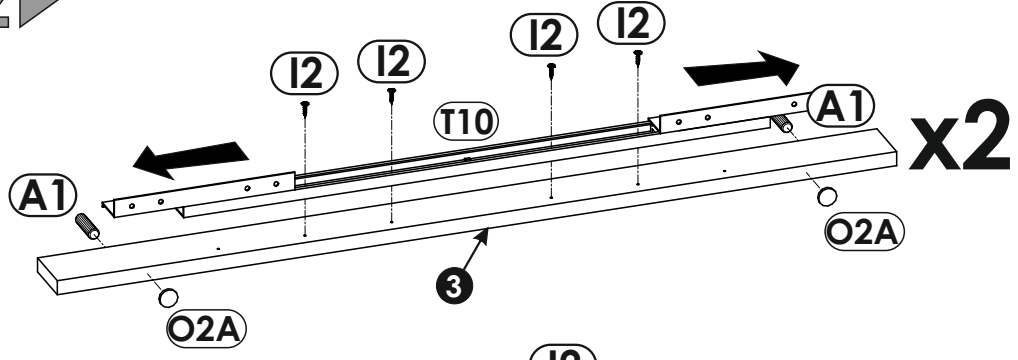




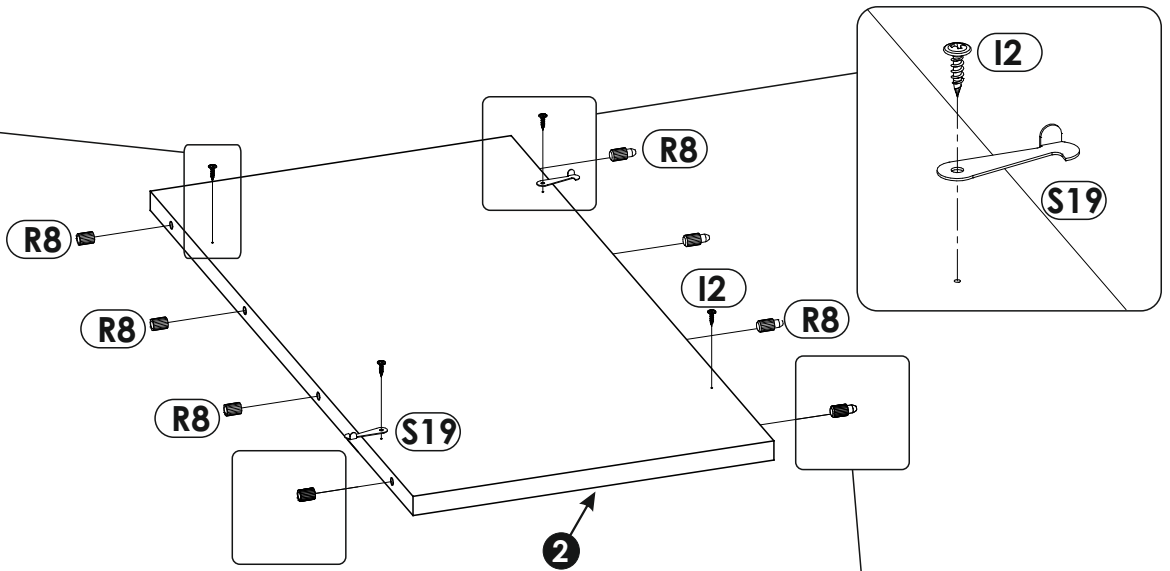
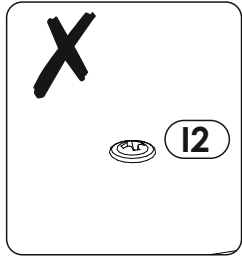
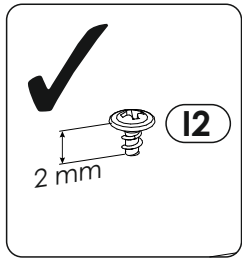
1 ▶



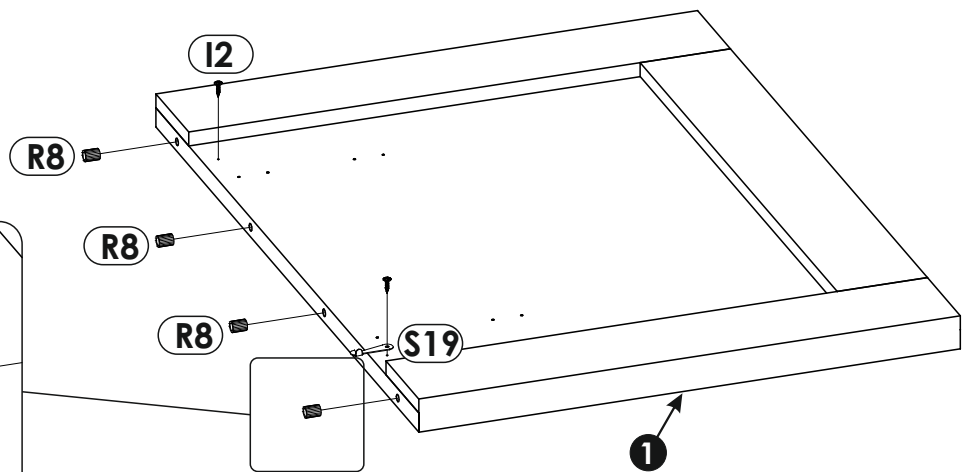
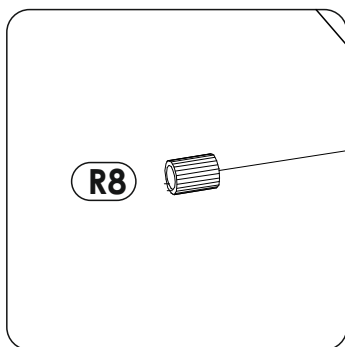
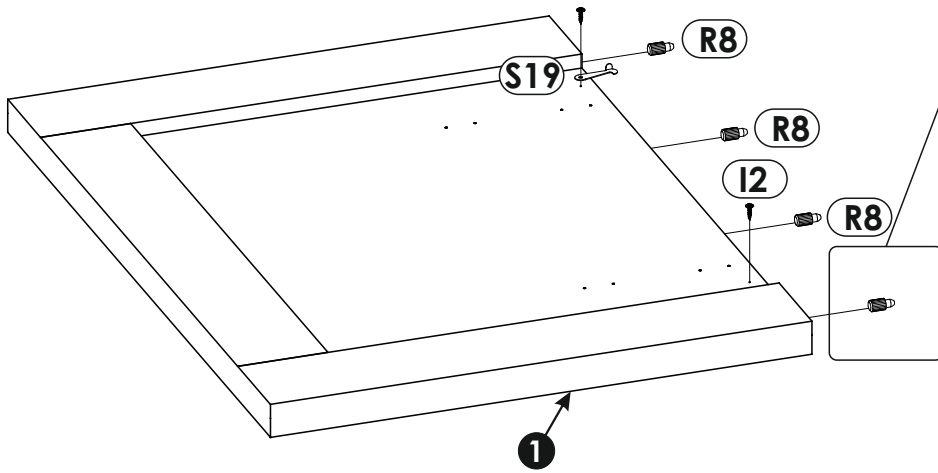
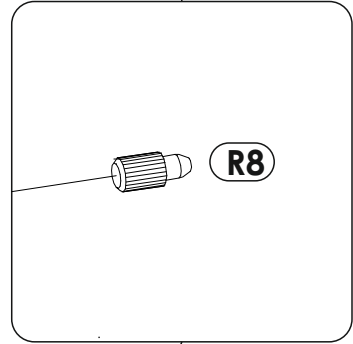
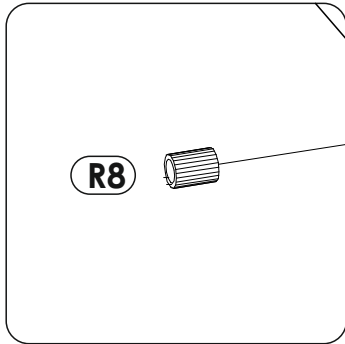
2 ▶



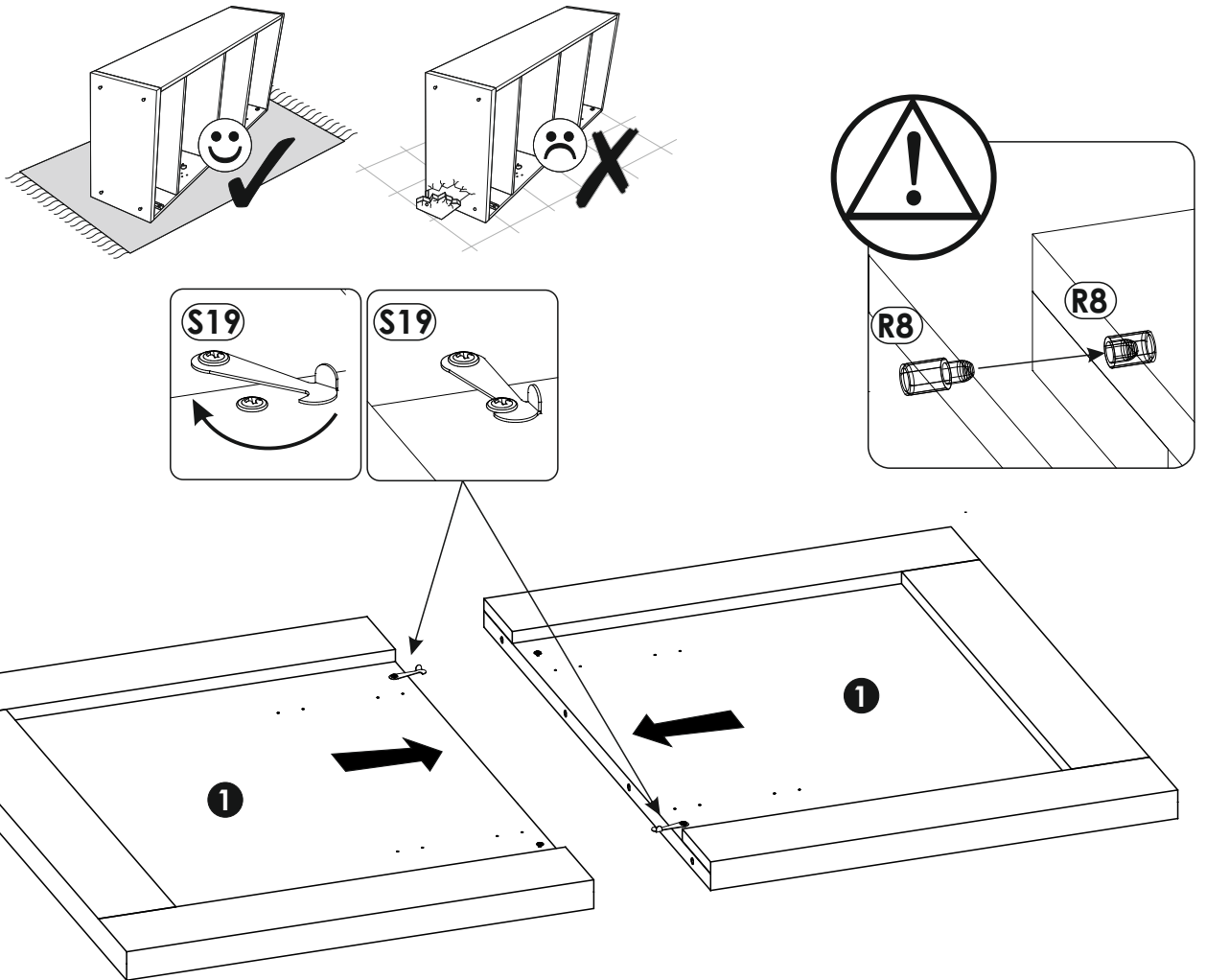
3 ▶



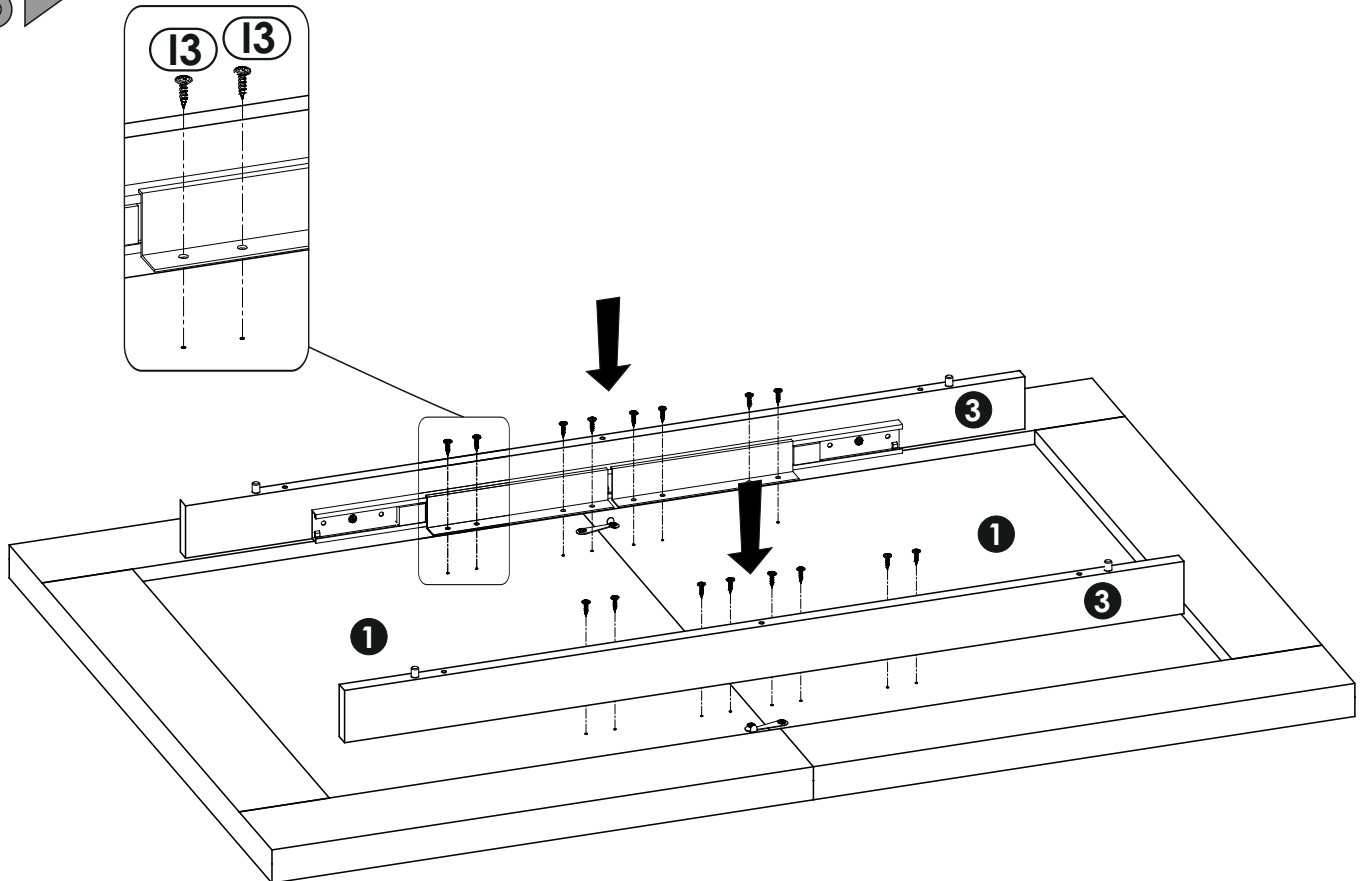
4 ▶



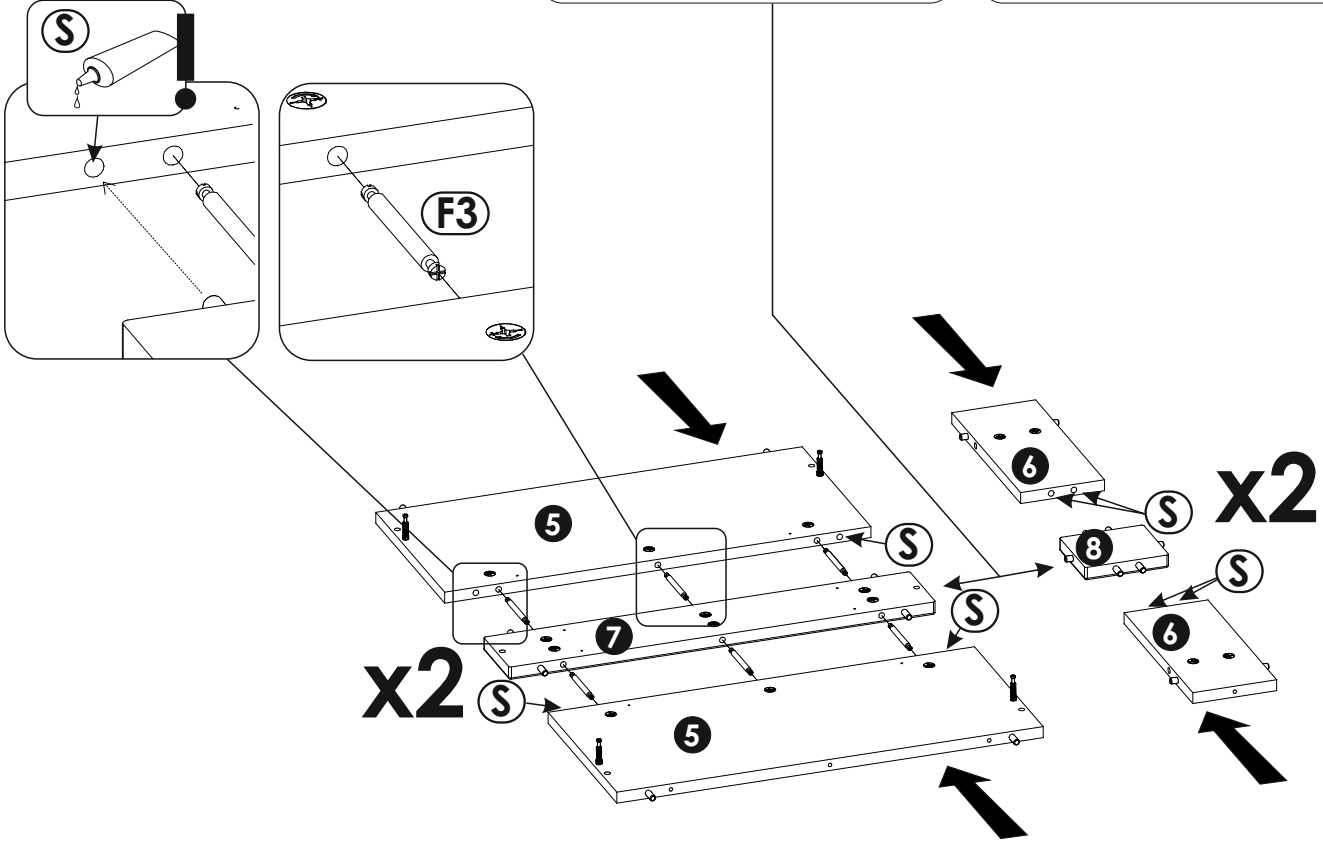
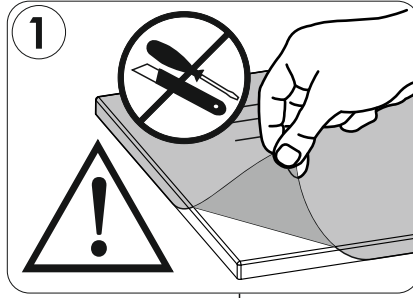
5 ▶



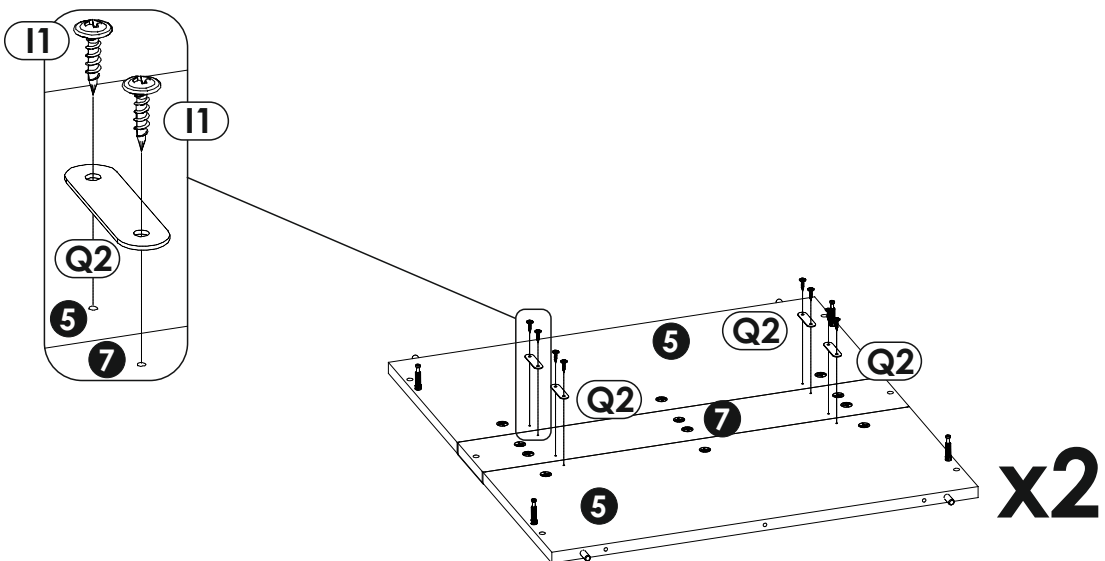
6 ▶



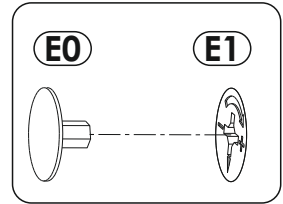
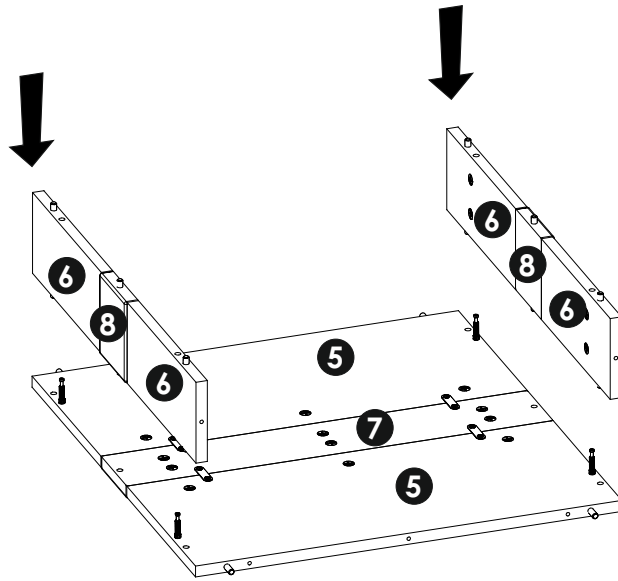
7 ▶



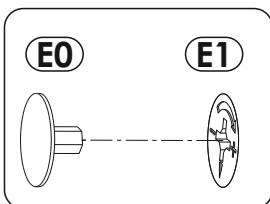
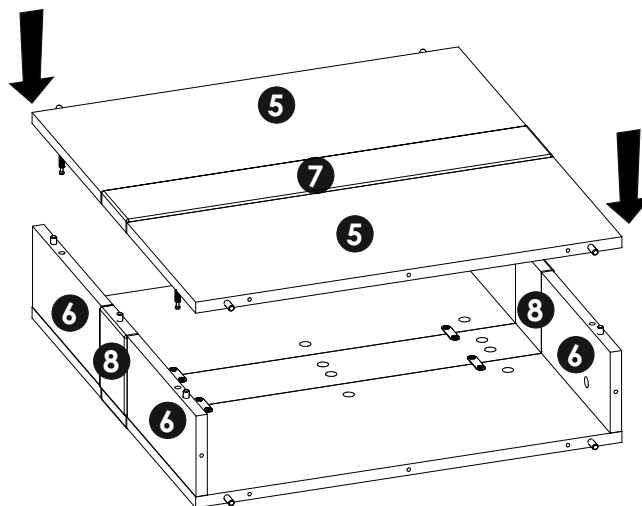
8 ▶

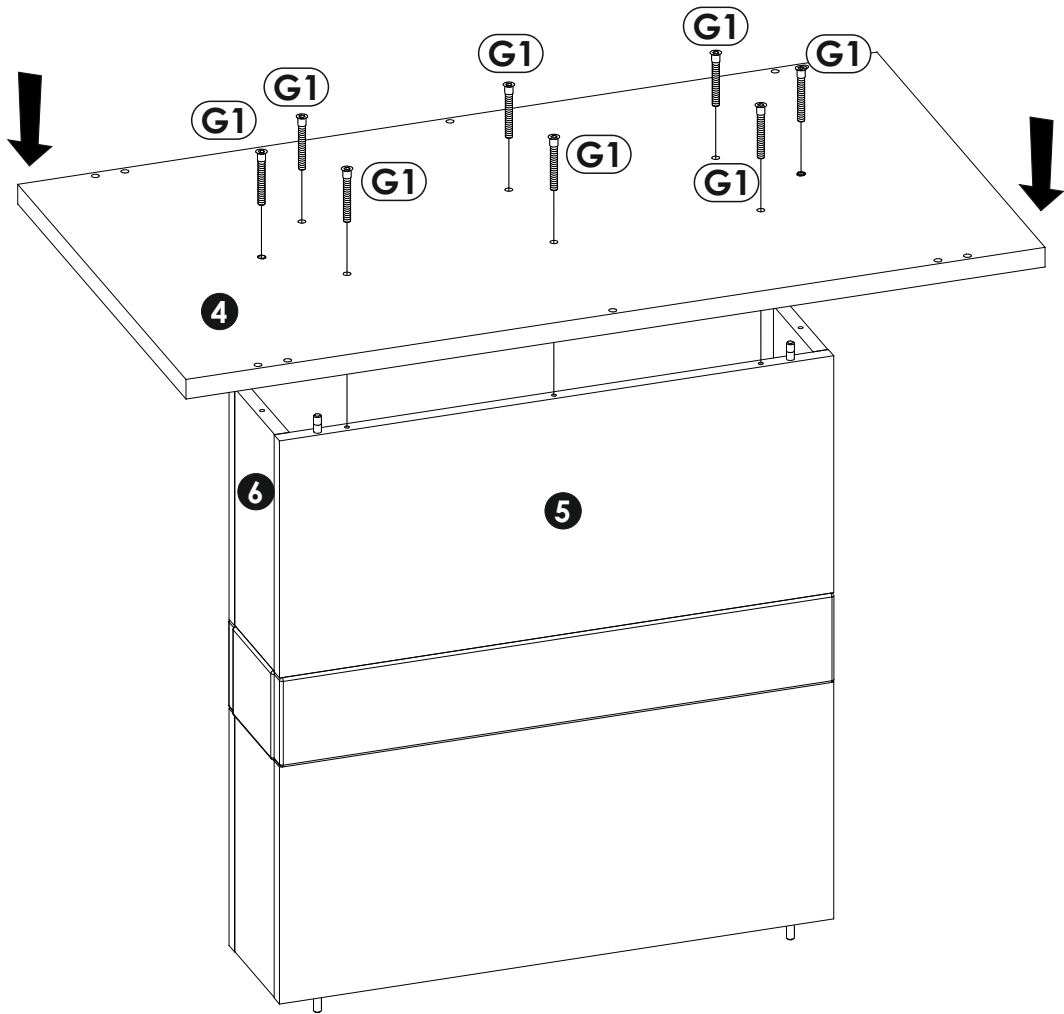
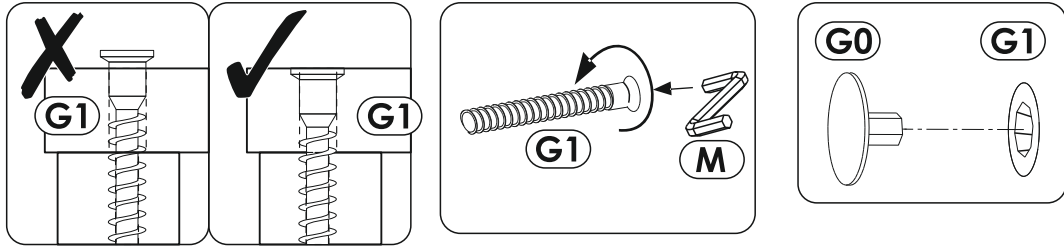


9 ▶

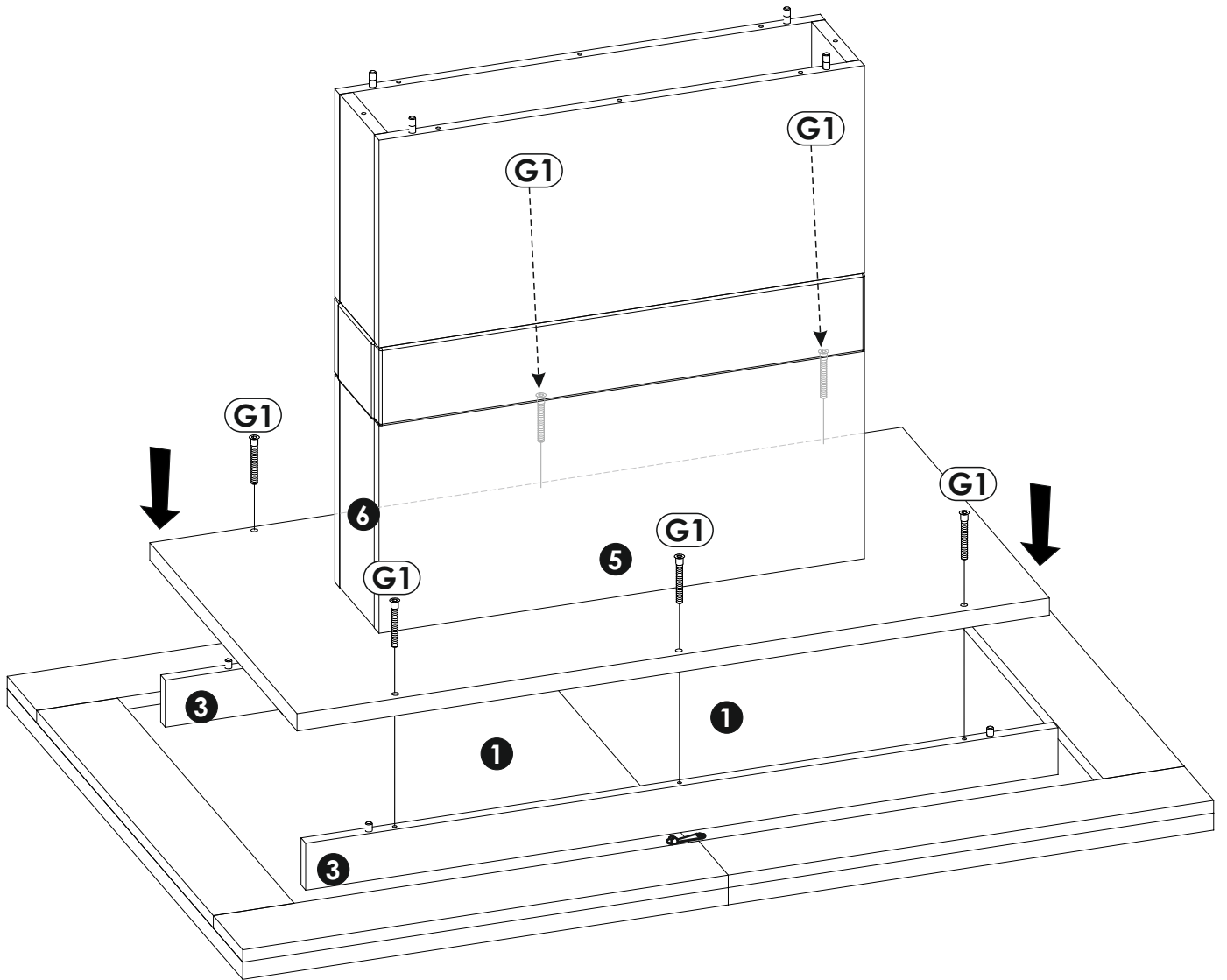
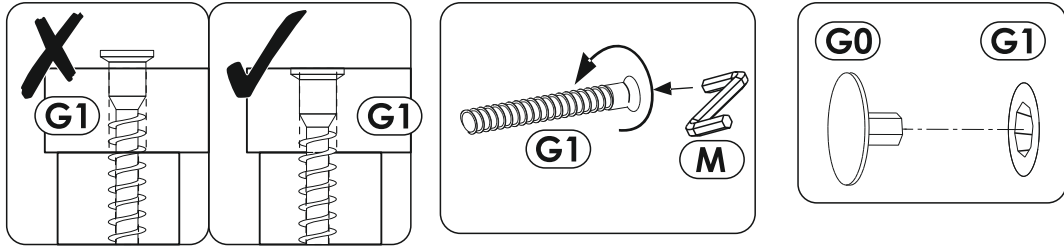


10 ▶

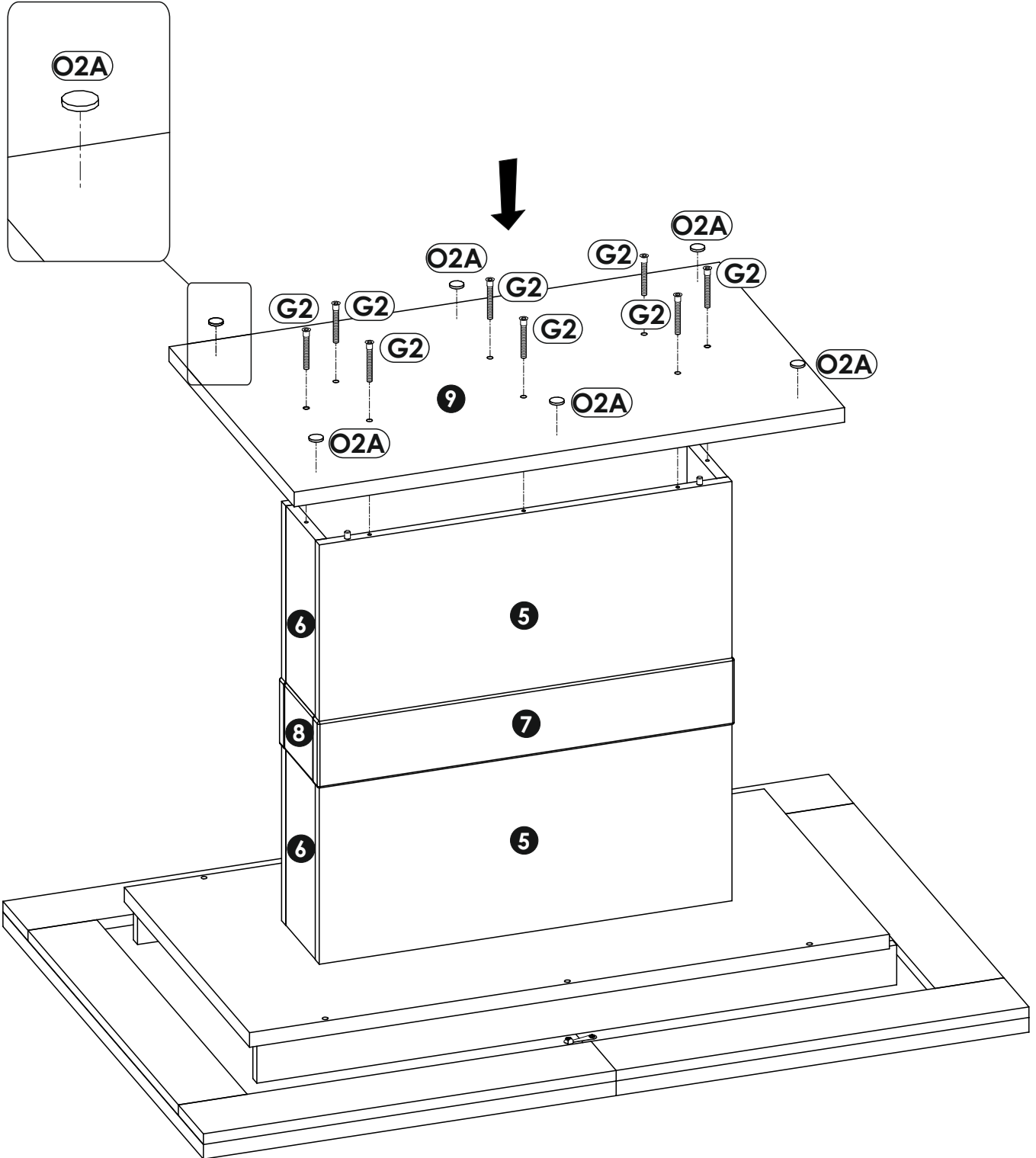
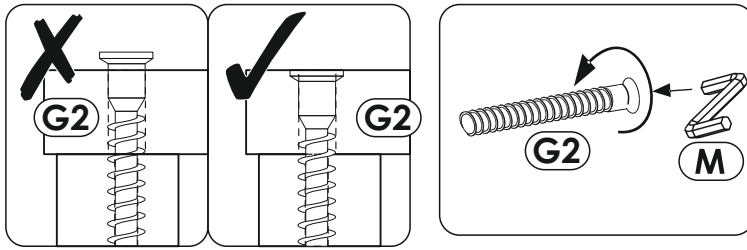


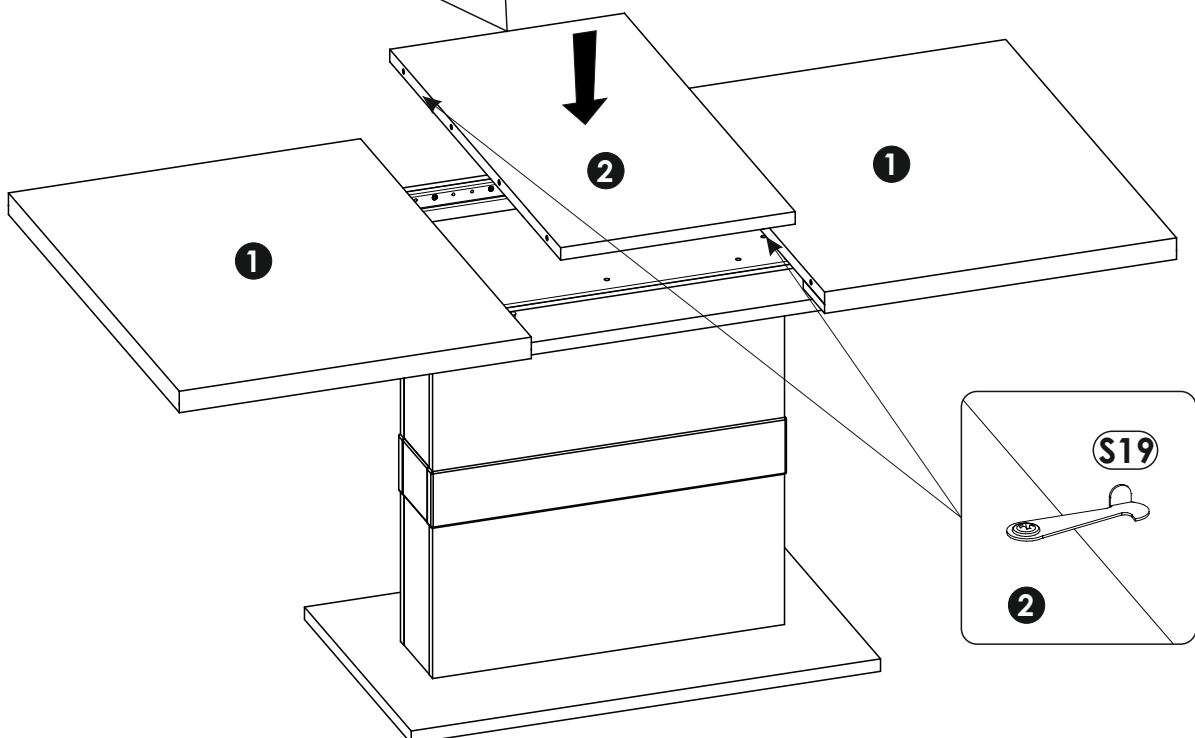
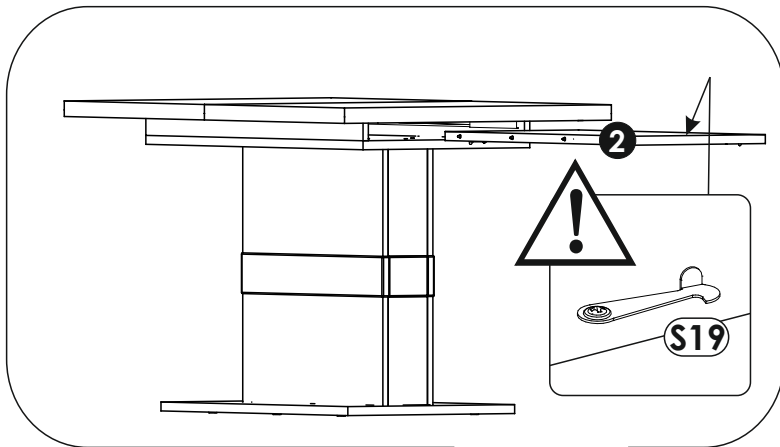
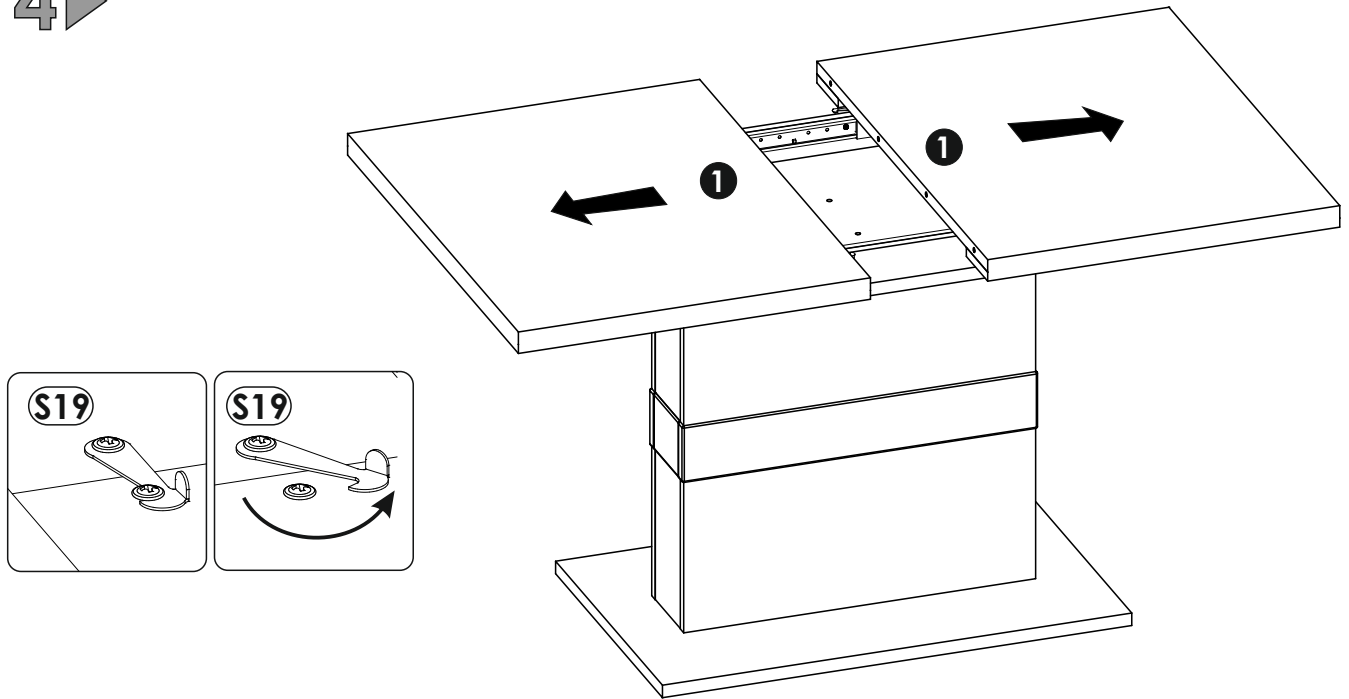


12▶

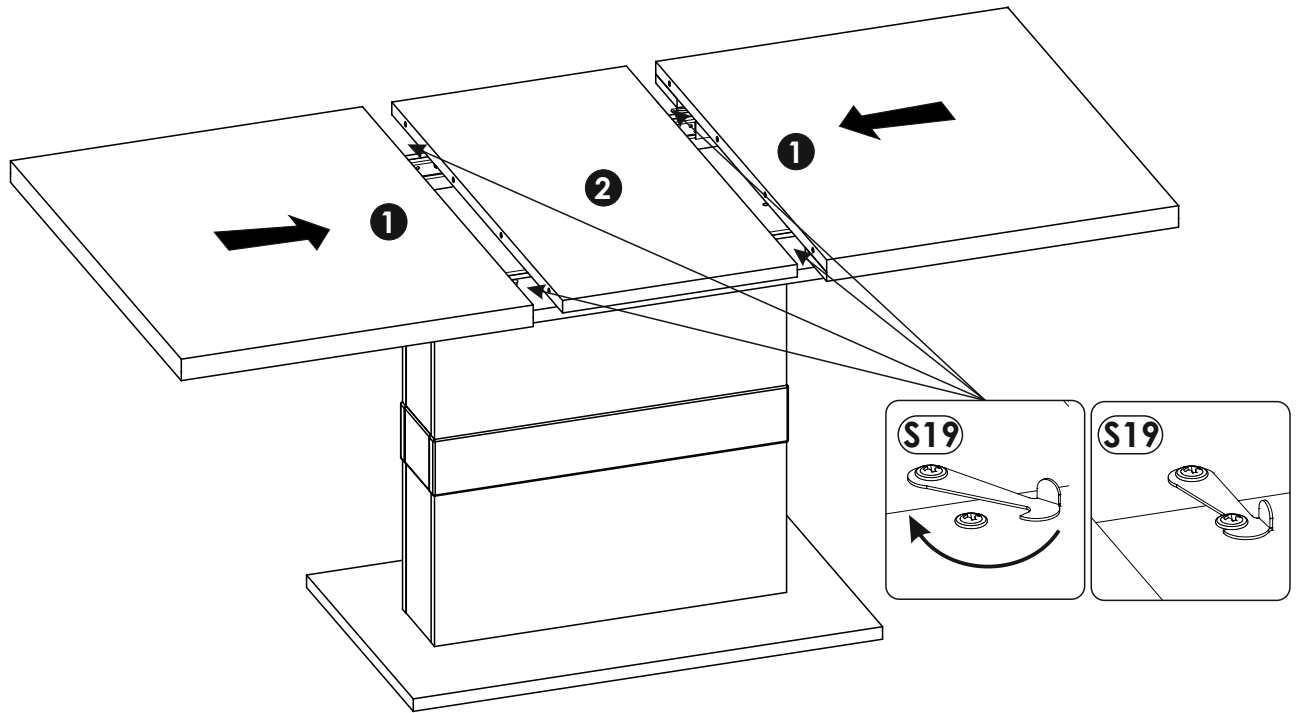


13▶





15▶



16▶

