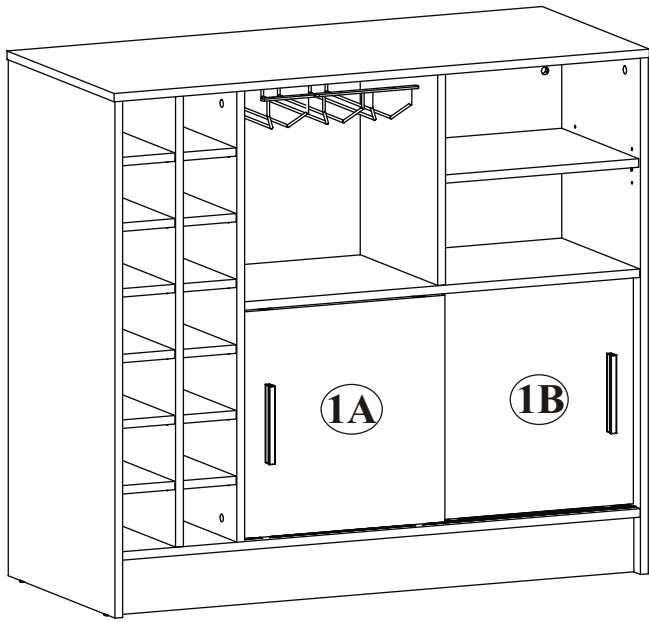
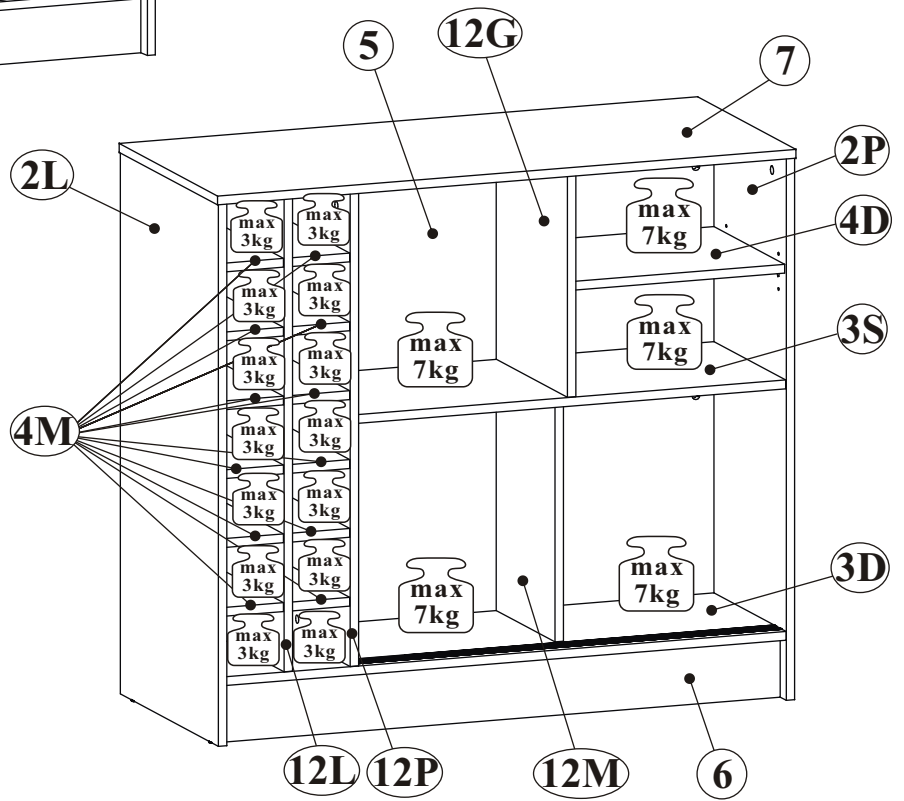
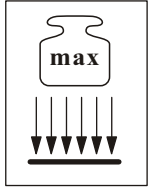


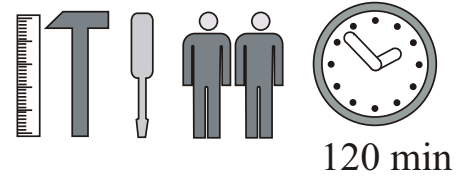
PLANTER 83-915-__-6



max 15kg

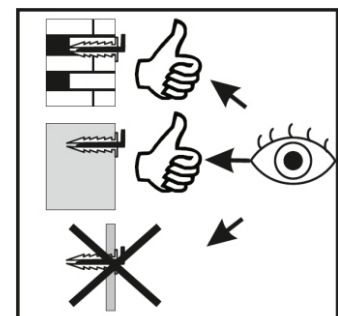
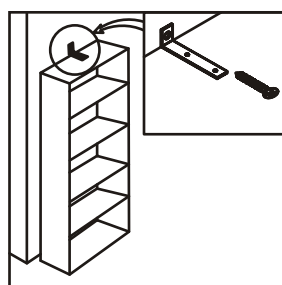
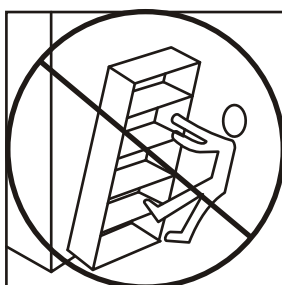
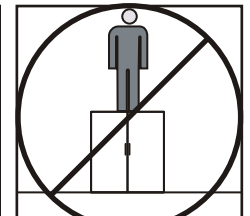
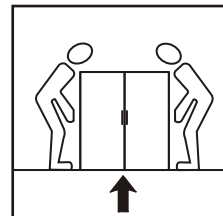
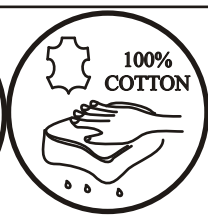
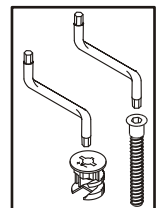
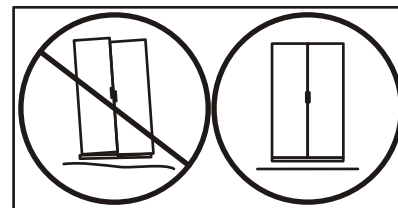
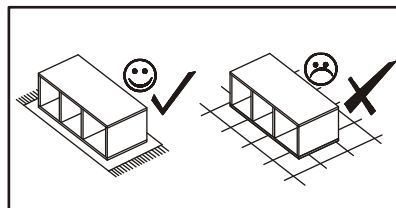
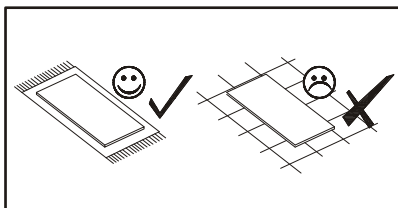
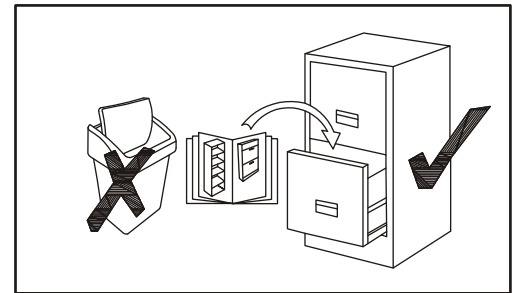
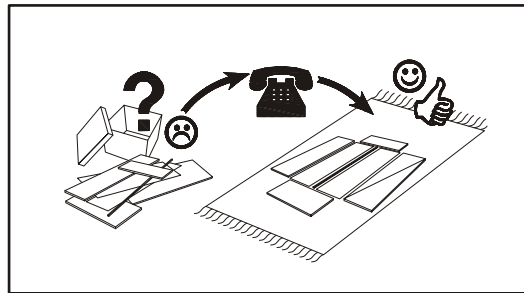
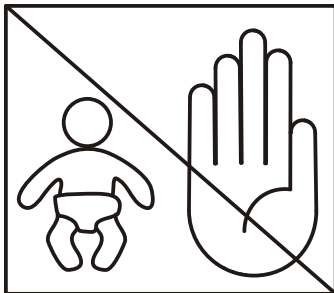
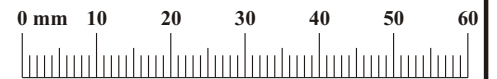


NO	Dim.		Col.-No	Qty
1A / 1B	415	432	3	2
2L	983	480	2	1
2P	983	480	2	1
12L	858	352	1	1
12P	858	352	1	1
12G	402	349	3	1
12M	440	288	3	1
3D	1066	353	1	1
3S	814	351	1	1
4M	110	349	3	12
4D	399	346	3	1
5	1066	983	2	1
6	1066	109	1	1
7	1102	482	1	1

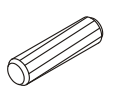

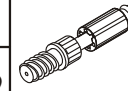
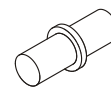



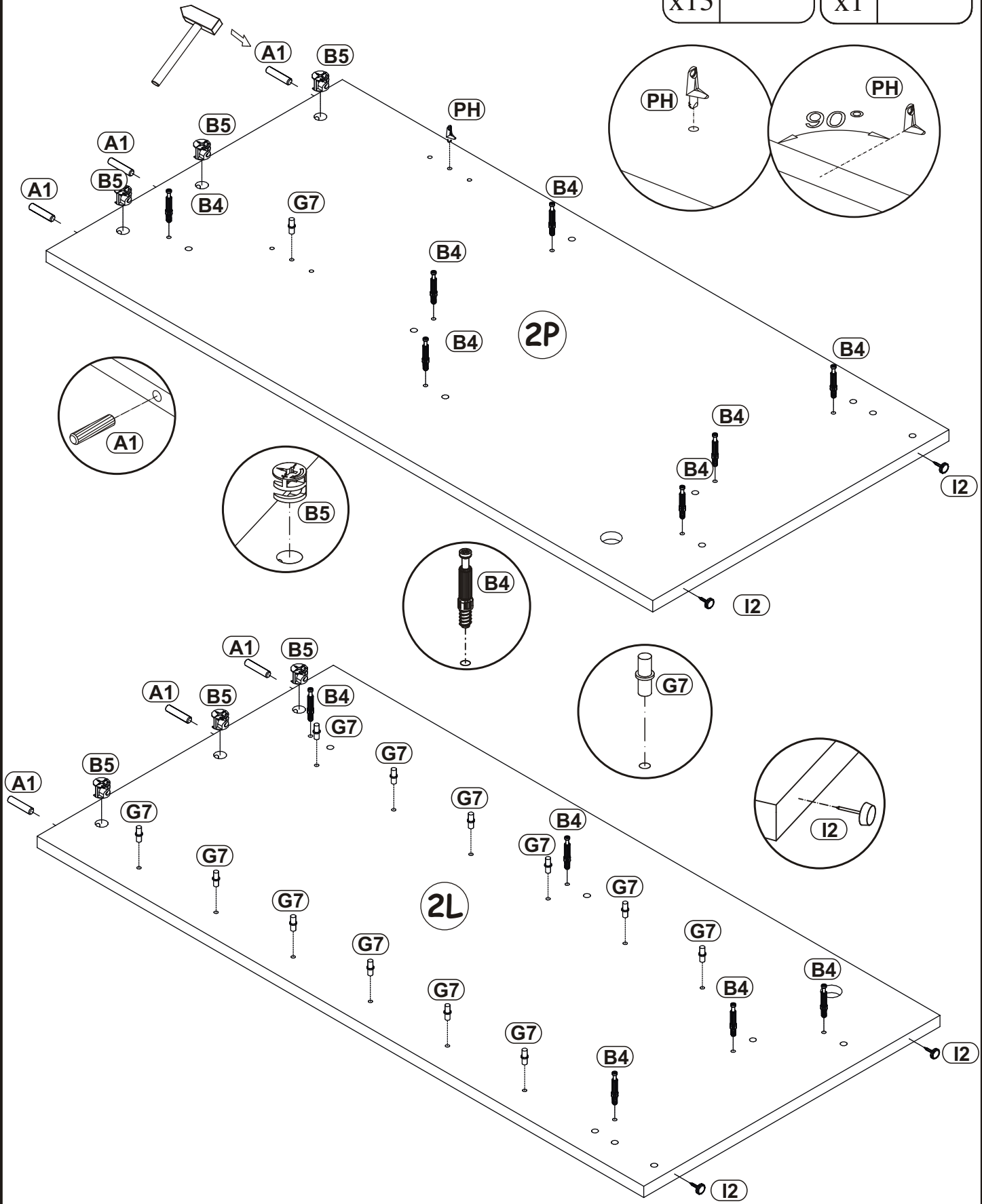
PLANTER 83-915-__-6

A1 x44 ø8x36	UP13 x10 UPØ3x16	B4 x36	B5 x38 ø15x12	G5 x38	B6 x1 Ø7x76
U16 x2 L-128mm.	UP6 x4 UPØ4x30	ZG x4	PD x4	G7 x50	PH x2
I2 x4	WK2 x1	WK1 x1	D30 x7 USØ3,5x16	DU x1 Ø25 L-1082mm	G2 x1

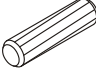

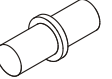


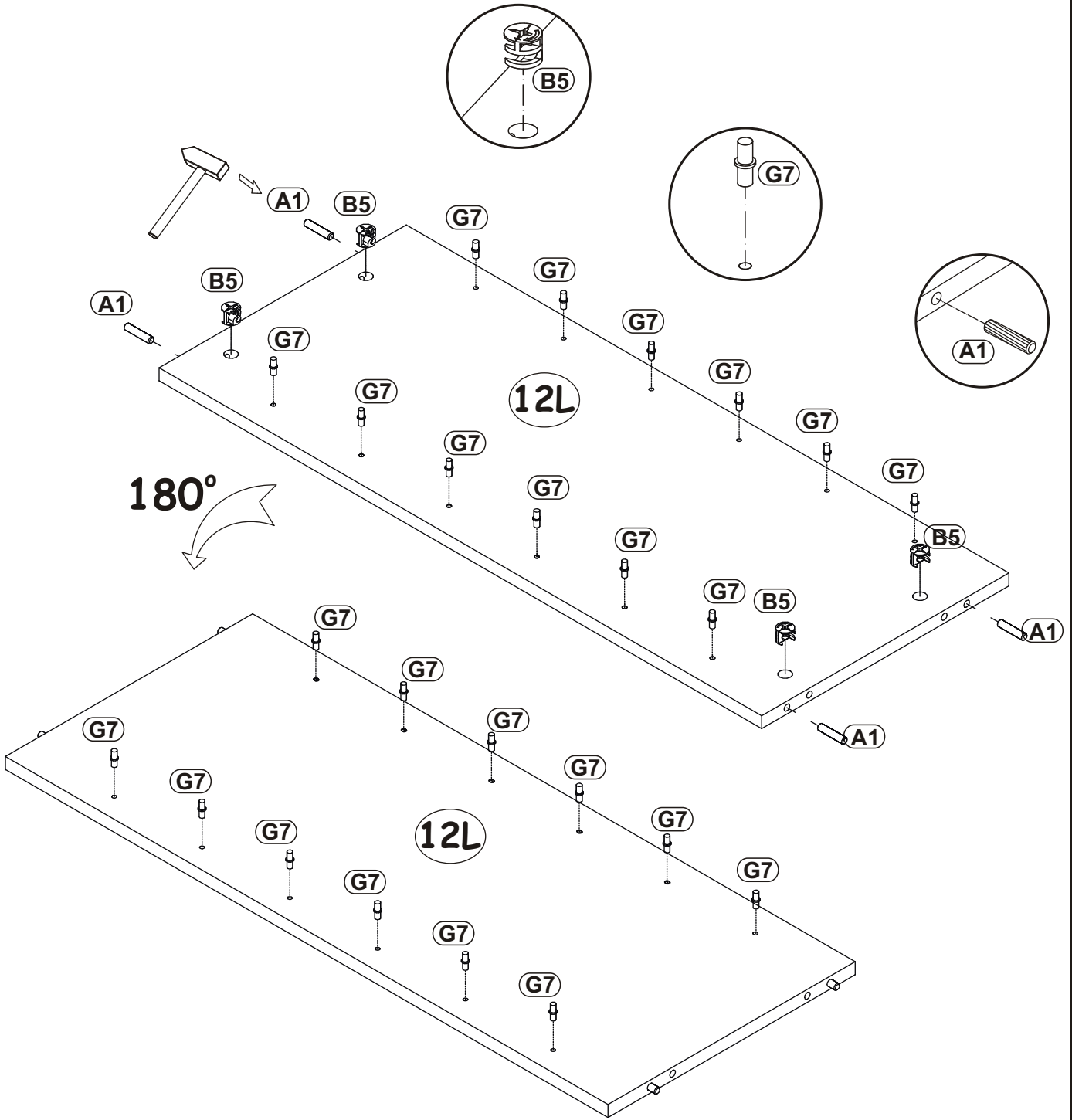
1

A1		B5		B4	
x6	ø8x36	x6	ø15x12	x12	
G7		PH		x1	
x13		x1			

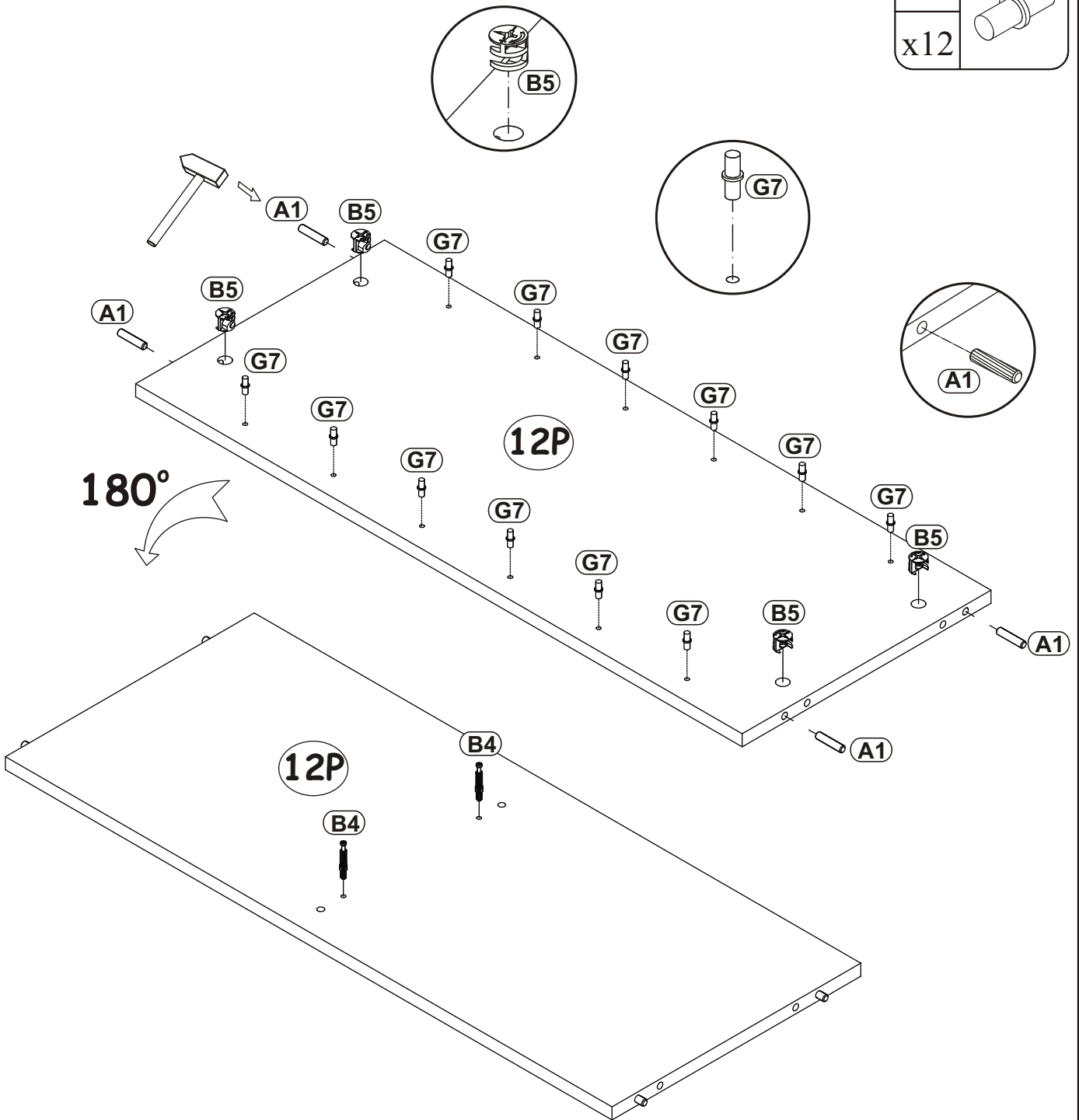
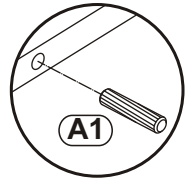
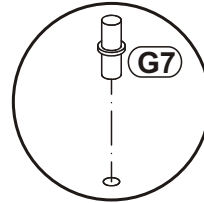
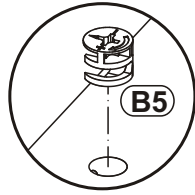
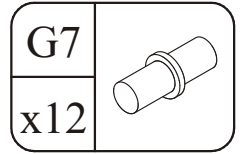
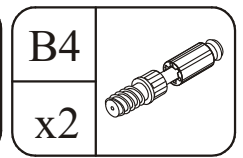
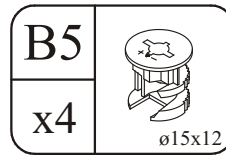
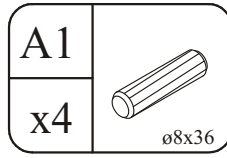


2

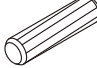
A1		B5		G7	
x4	ø8x36	x4	ø15x12	x24	

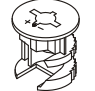


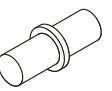
3




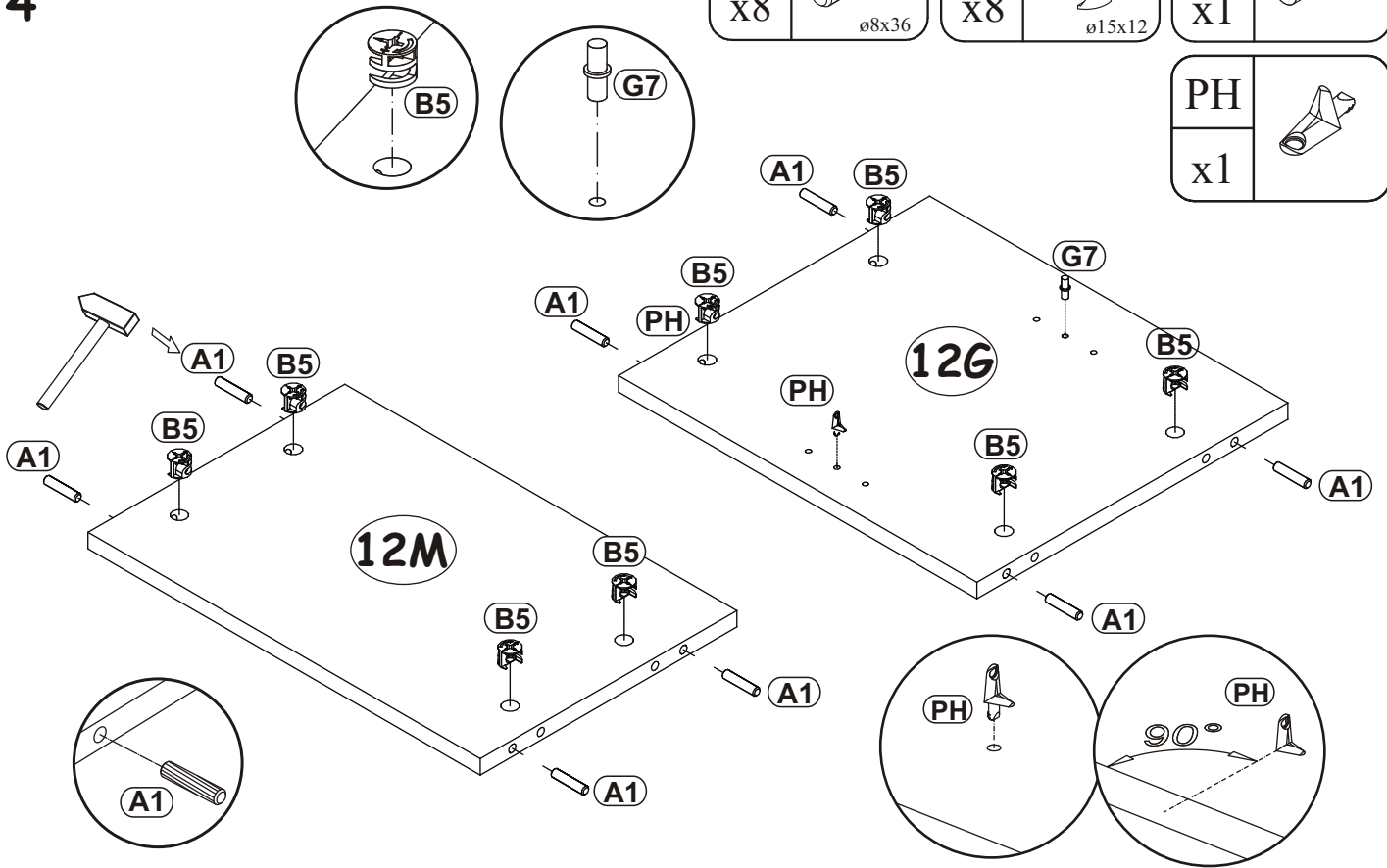
4

A1	
x8	ø8x36

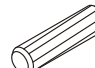
B5	
x8	ø15x12


G7	
x1	

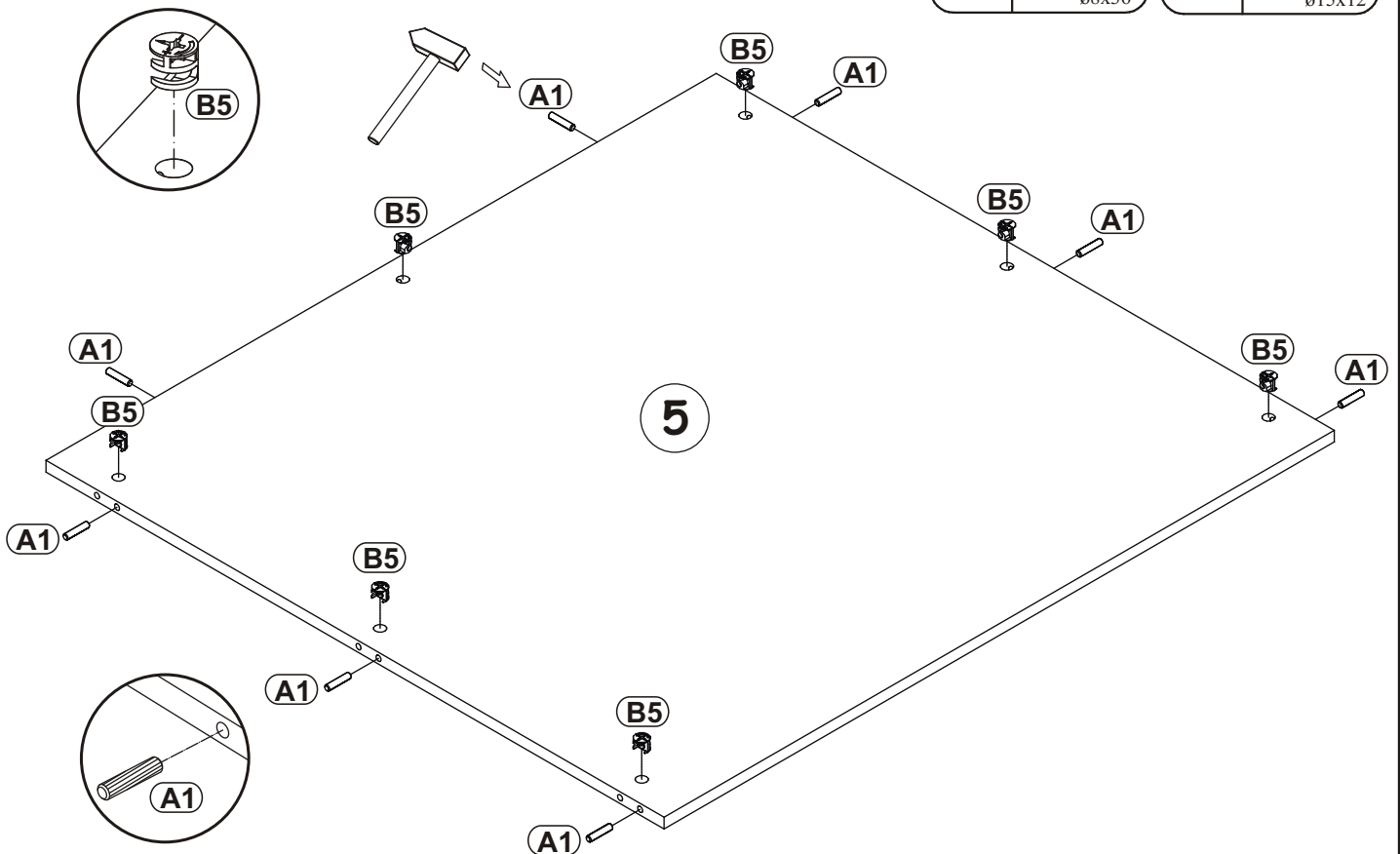
PH	
x1	

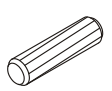
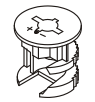
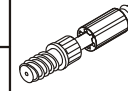


5

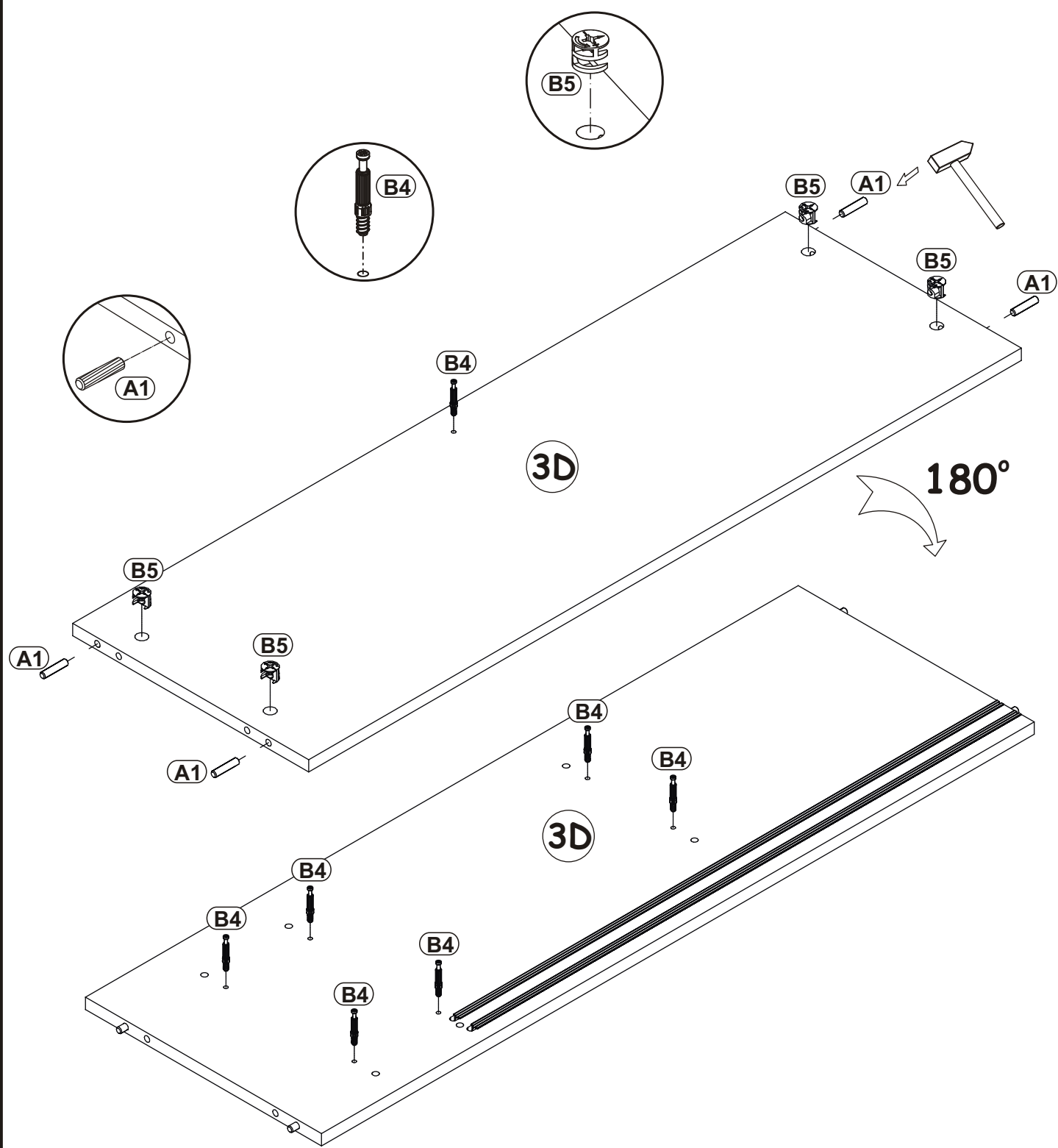
A1	
x8	ø8x36

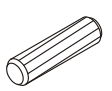

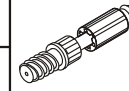
B5	
x7	ø15x12



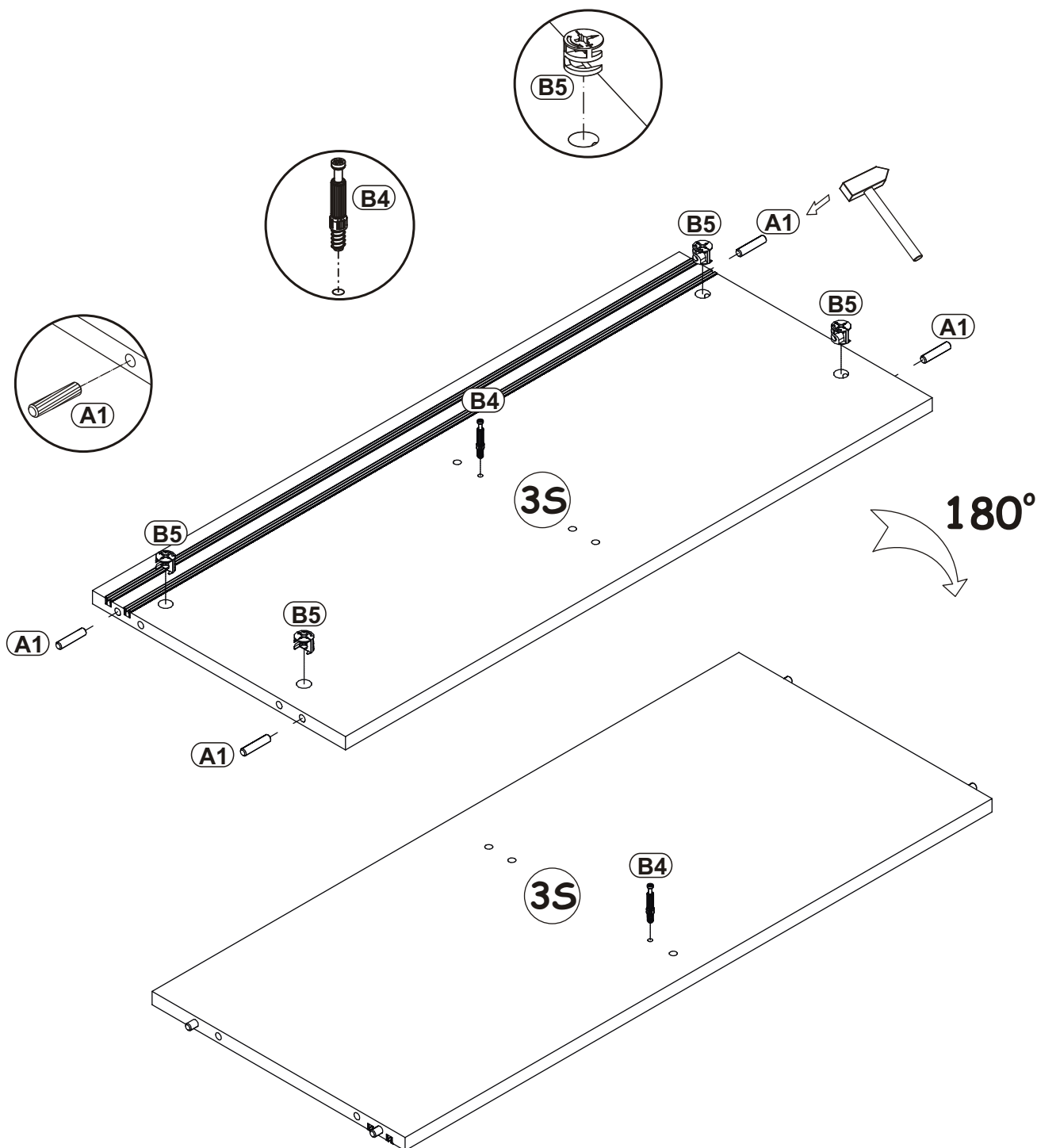
A1		B5		B4	
x4	ø8x36	x4	ø15x12	x7	

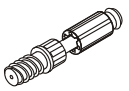
6



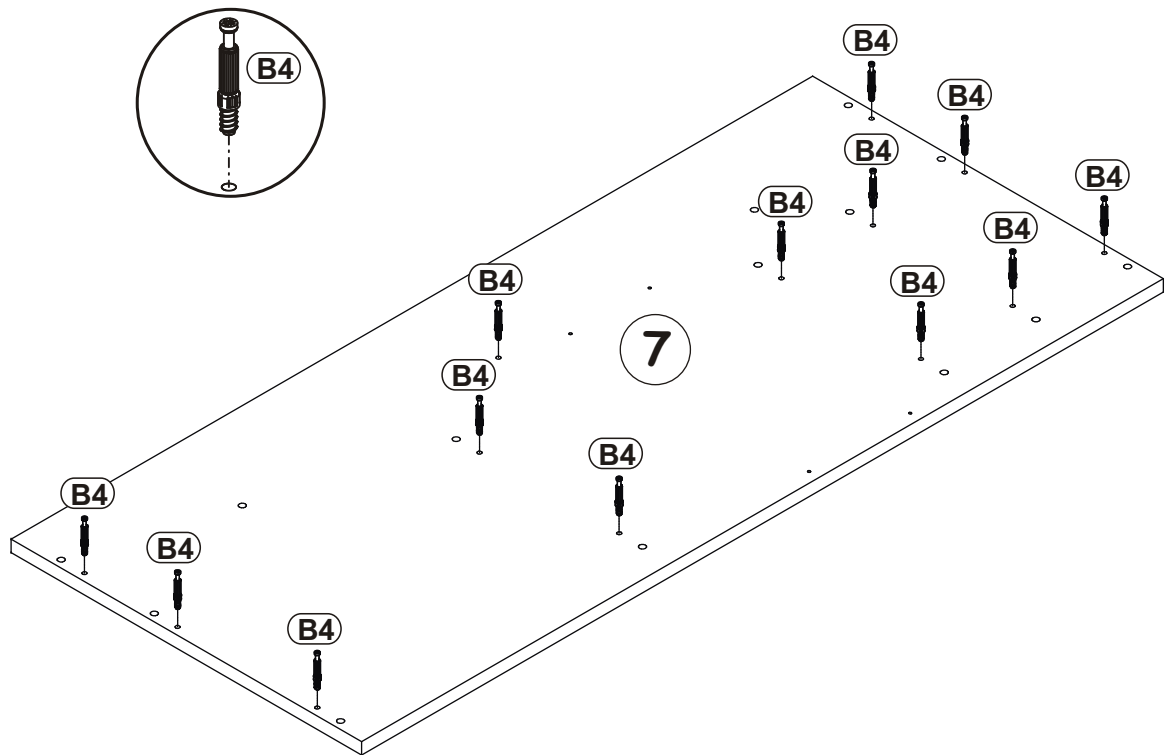
A1		B5		B4	
x4	ø8x36	x4	ø15x12	x2	

7

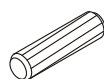



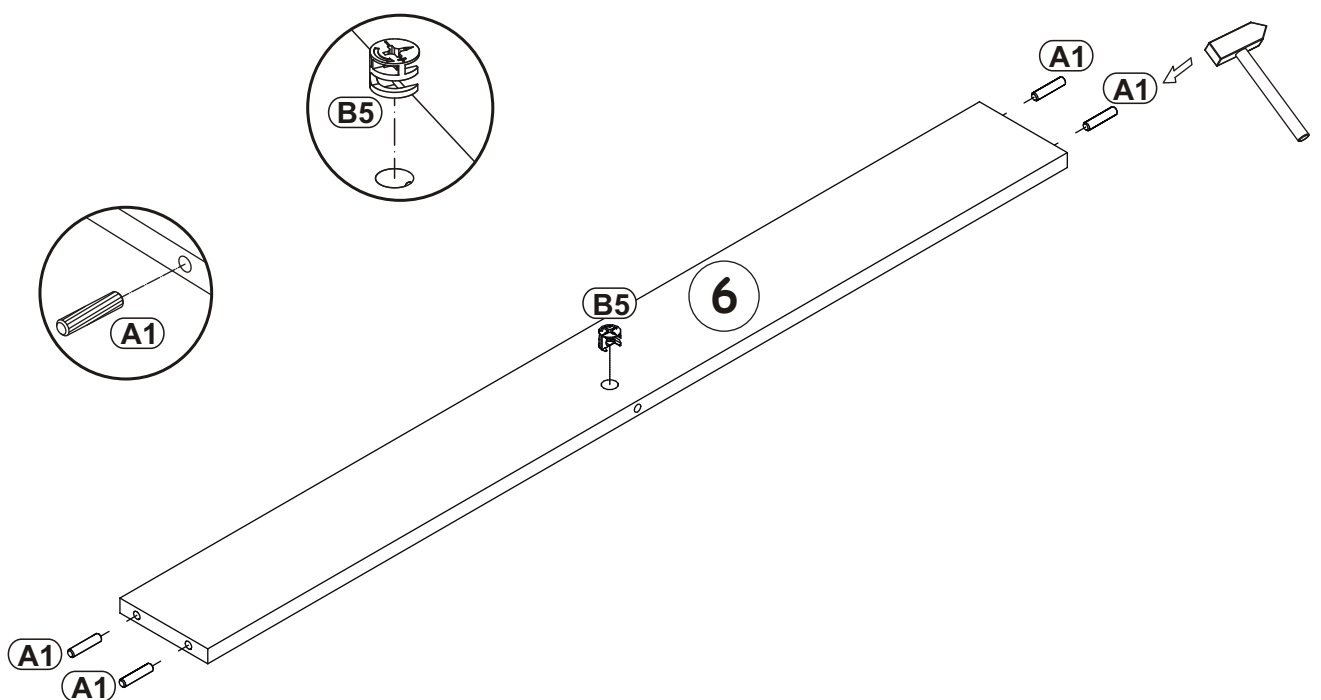
B4	
x13	

8

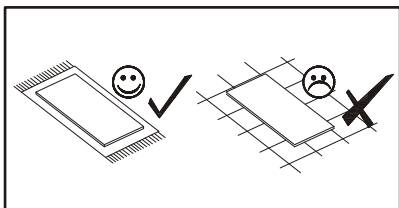


9

A1		B5	
x4	ø8x36	x1	ø15x12



10



ZG	
x4	

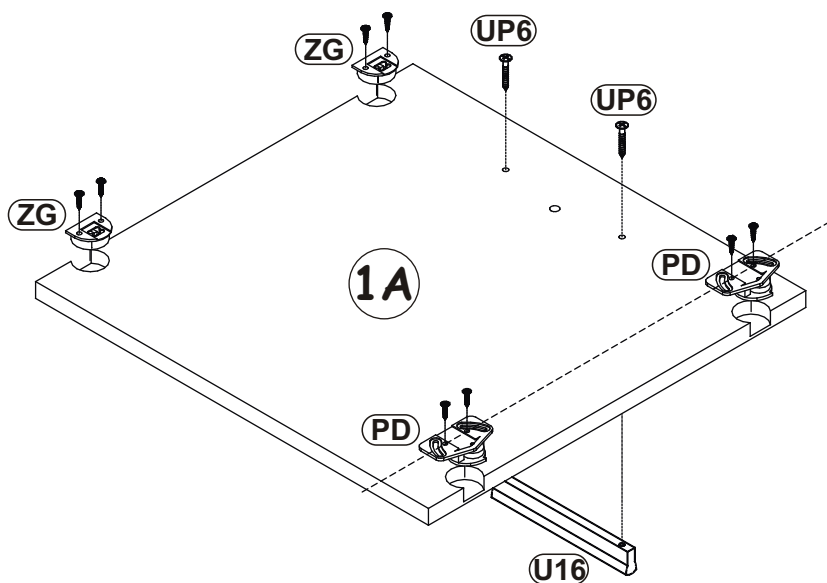
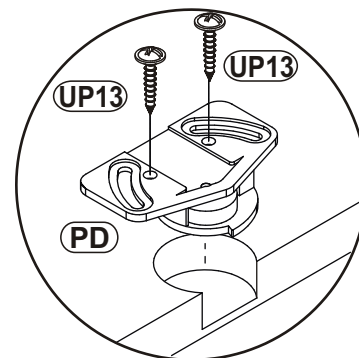
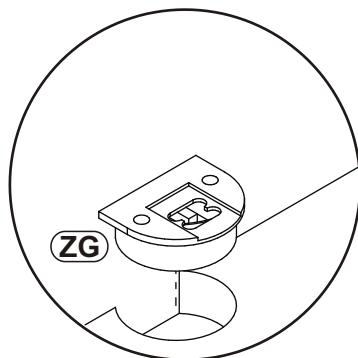
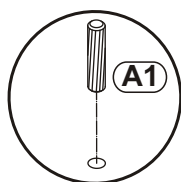
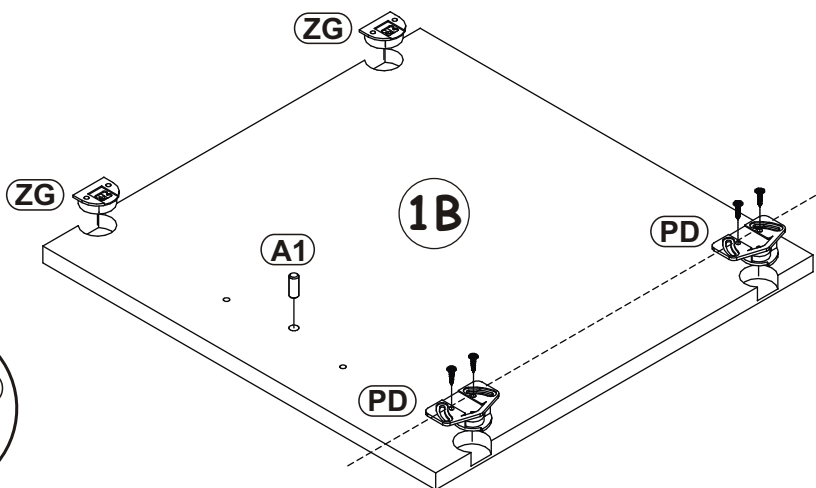
PD	
x4	

UP13	
x8	UPØ3x16

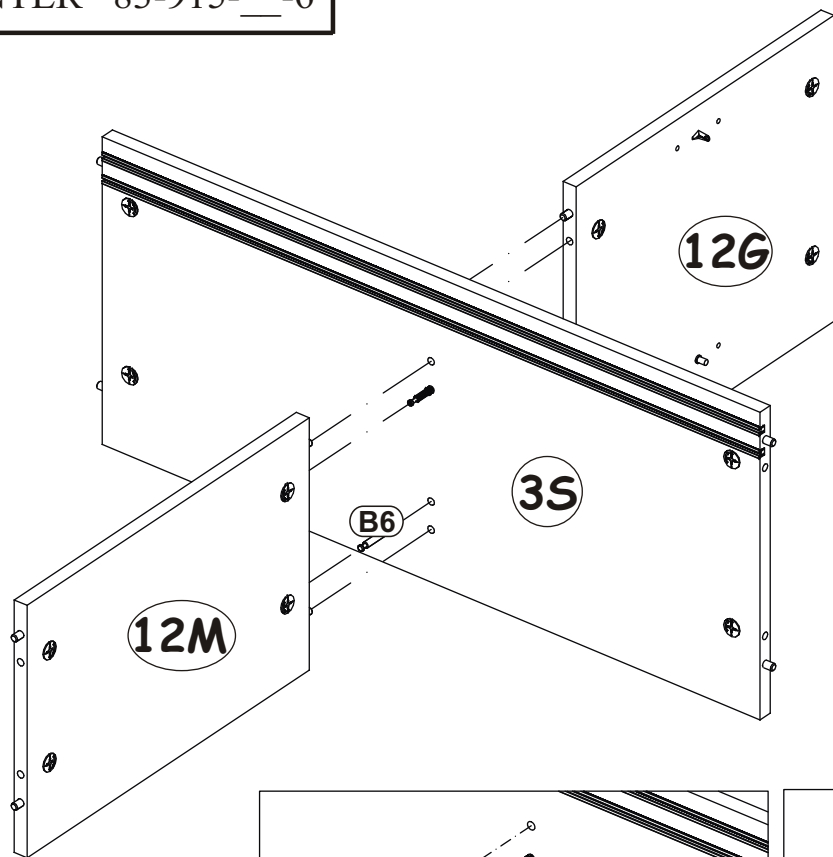
U16	
x1	L-128mm.


UP6	
x2	UPØ4x30


A1	
x1	ø8x36

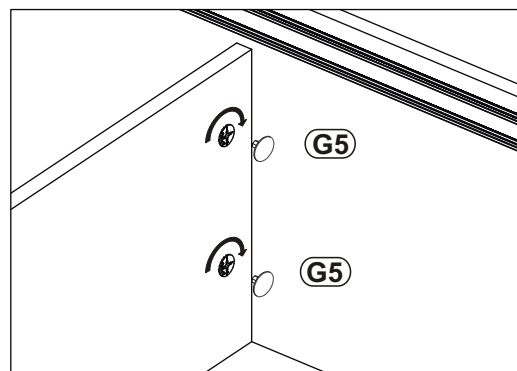
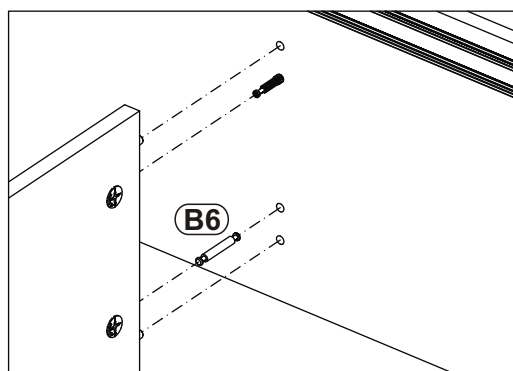


11

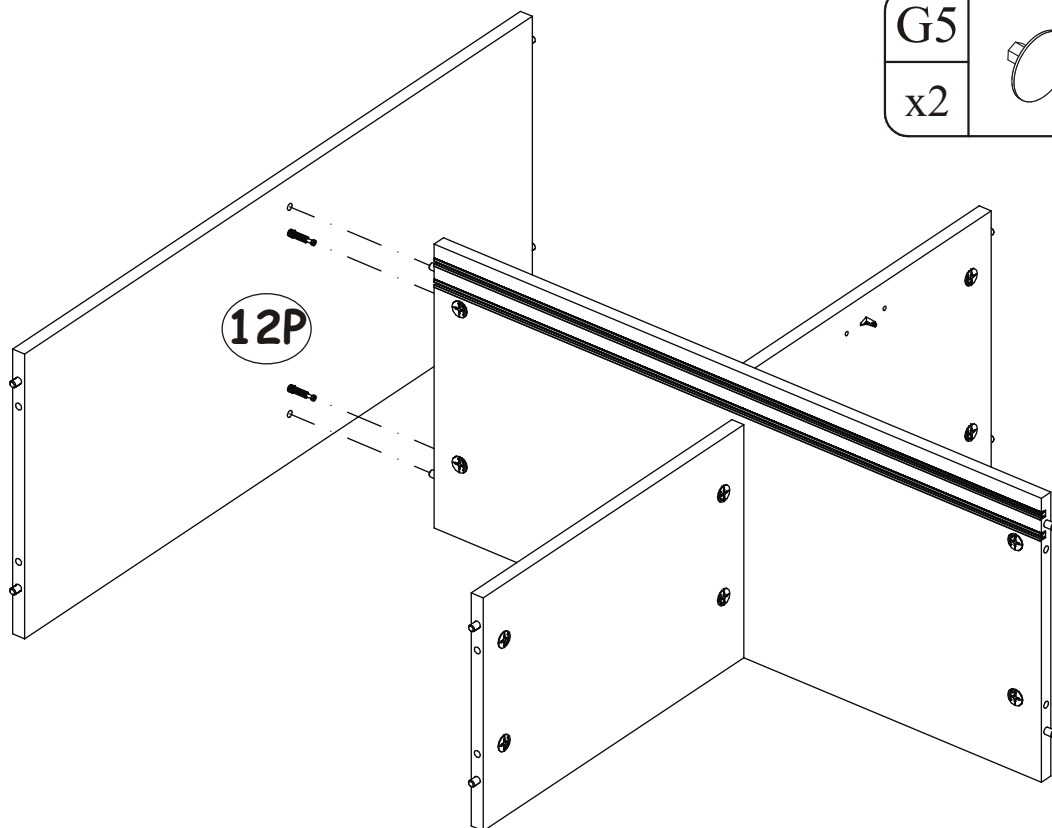
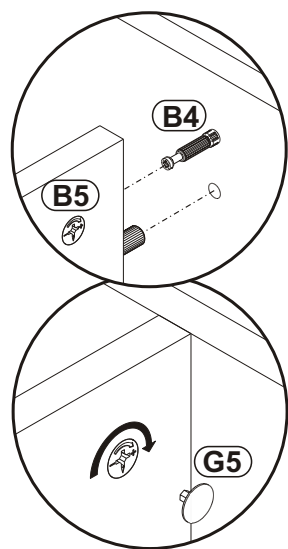



B6	
x1	Ø7x76


G5	
x4	



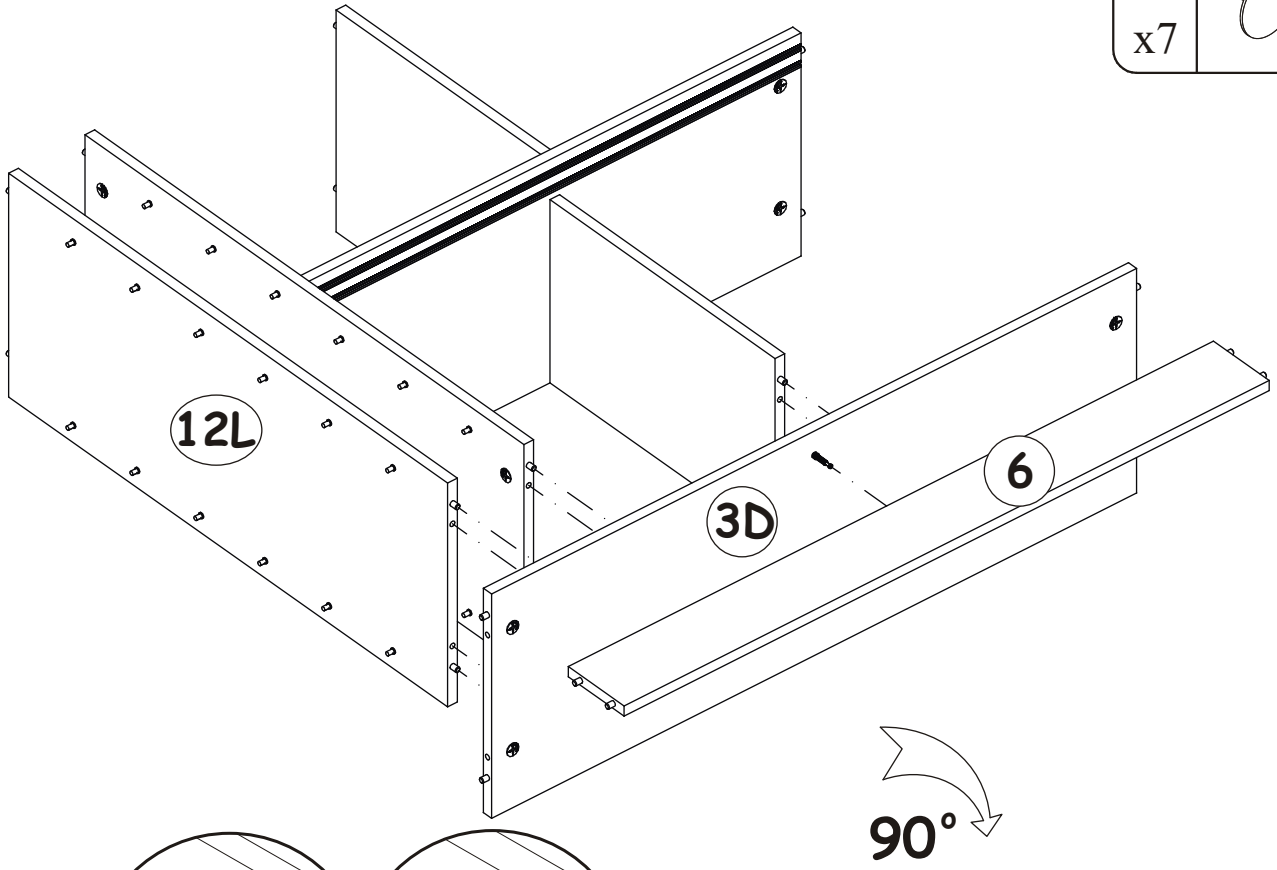
12



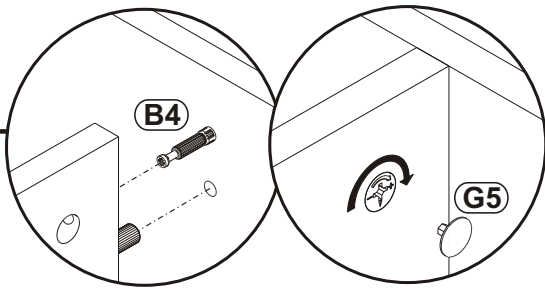
G5	
x2	


G5	
x7	

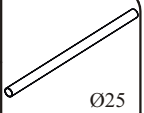
13

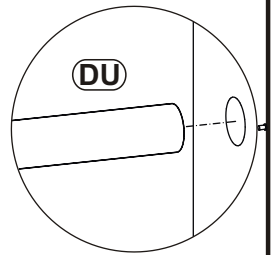
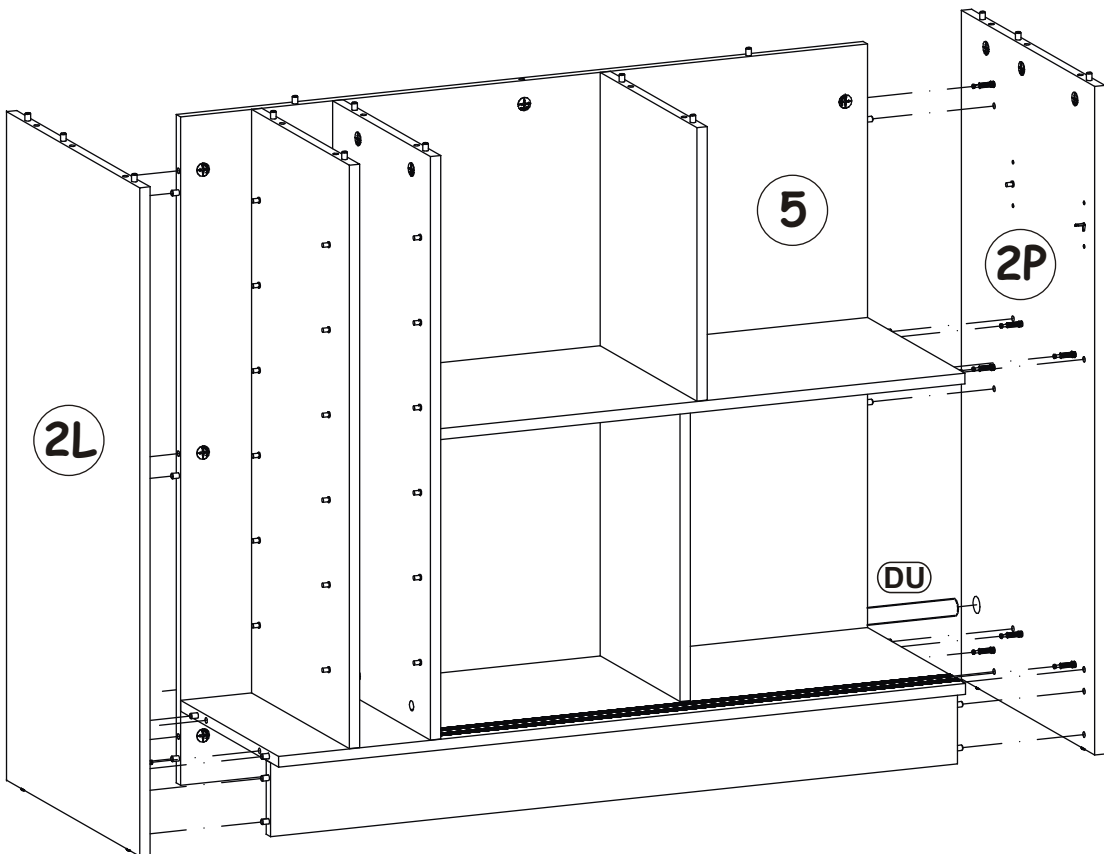


14




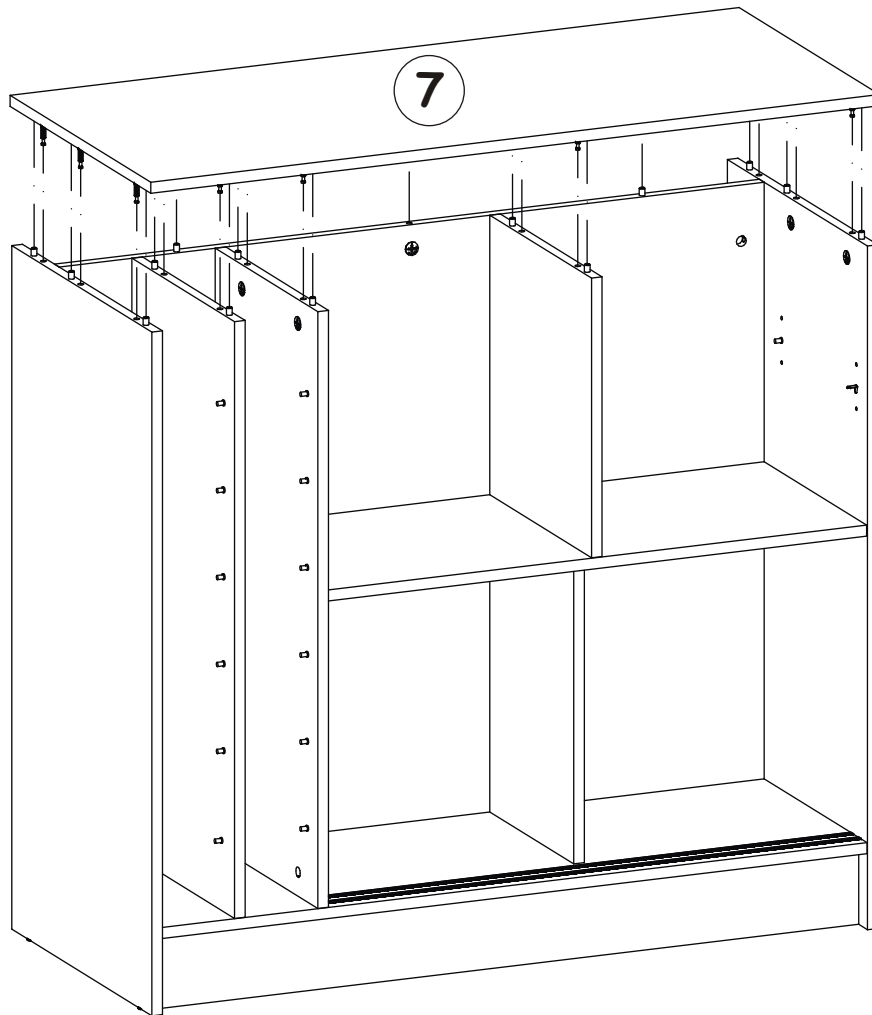
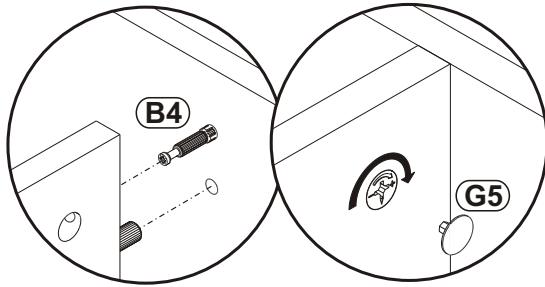
G5	
x12	

DU	
x1	Ø25 L-1082mm

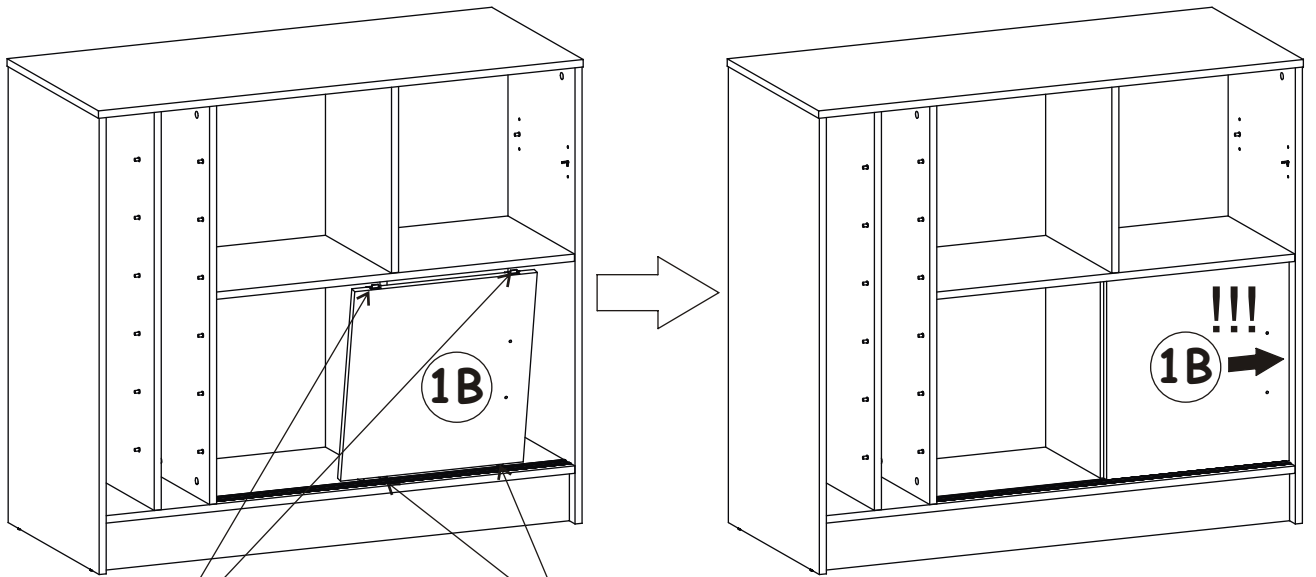


15

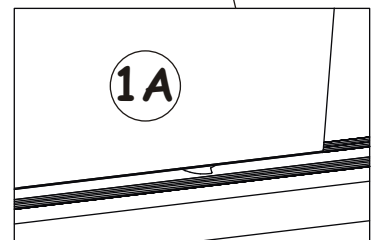
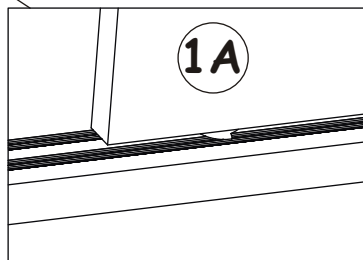
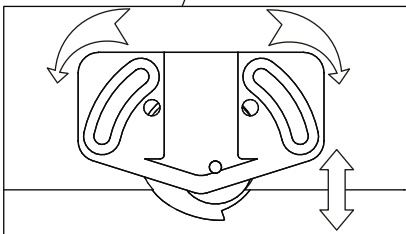
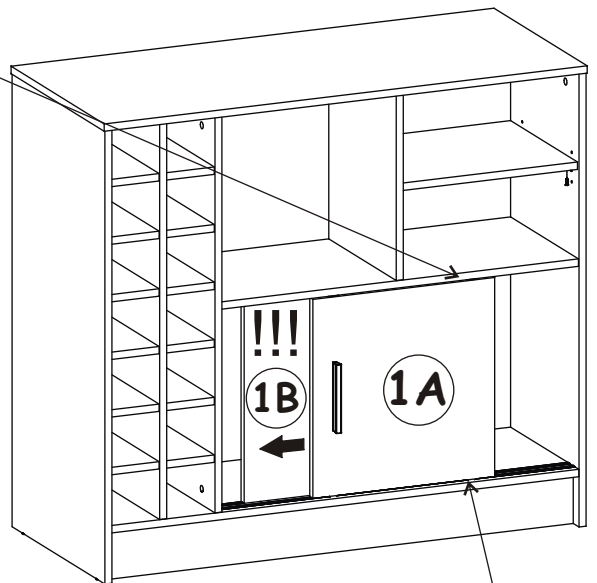
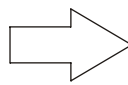
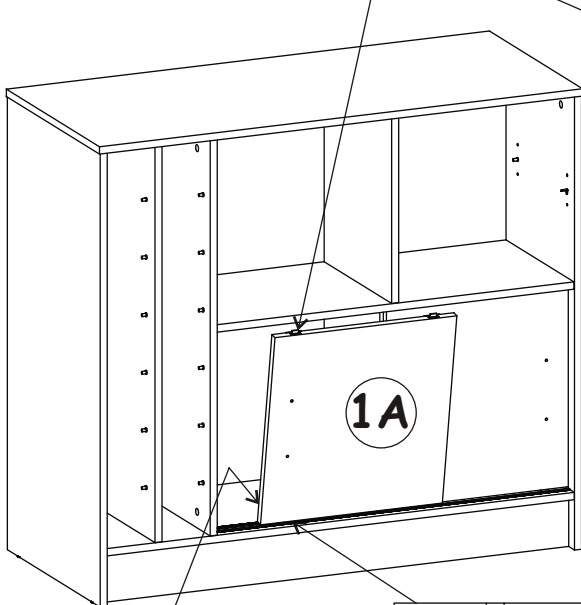
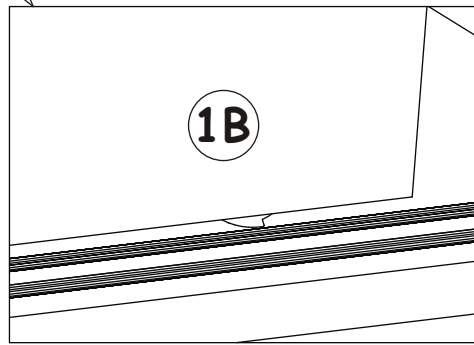
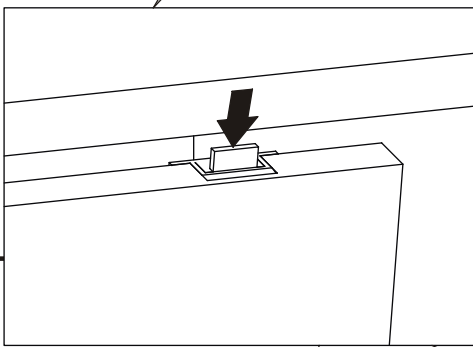
G5	
x13	



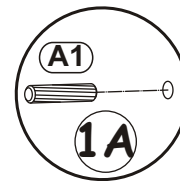
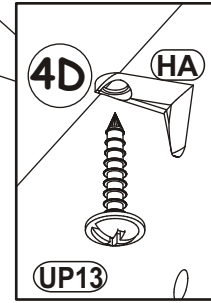
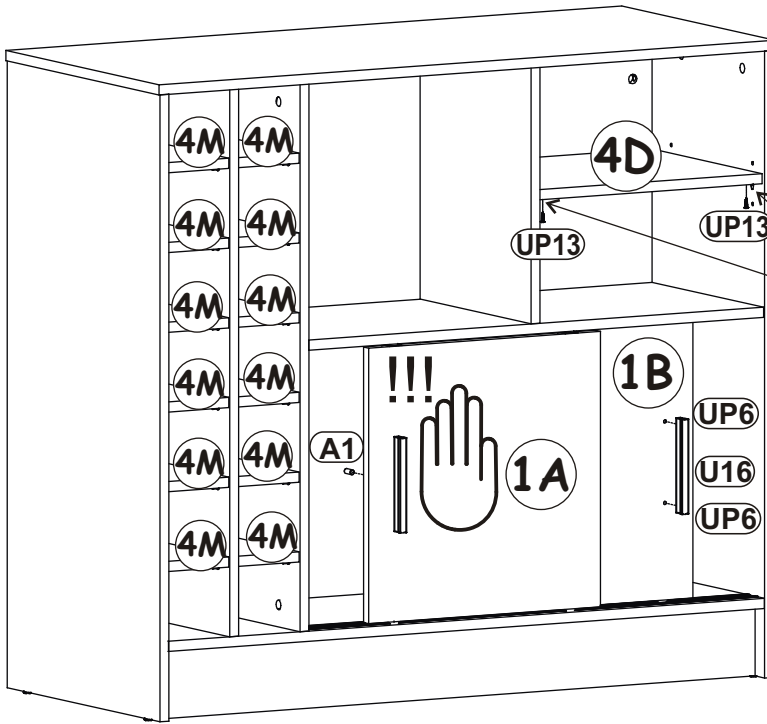
16



17



18



- | | |
|------|----------|
| U16 | |
| x1 | L-128mm. |
| UP6 | |
| x2 | UPØ4x30 |
| UP13 | |
| x2 | UPØ3x16 |
| A1 | |
| x1 | ø8x36 |

19

