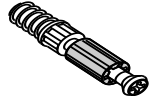


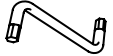

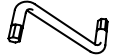





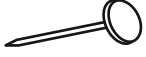






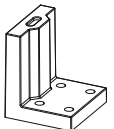




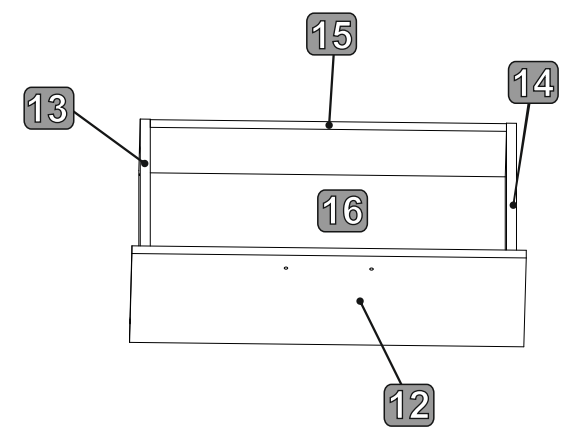
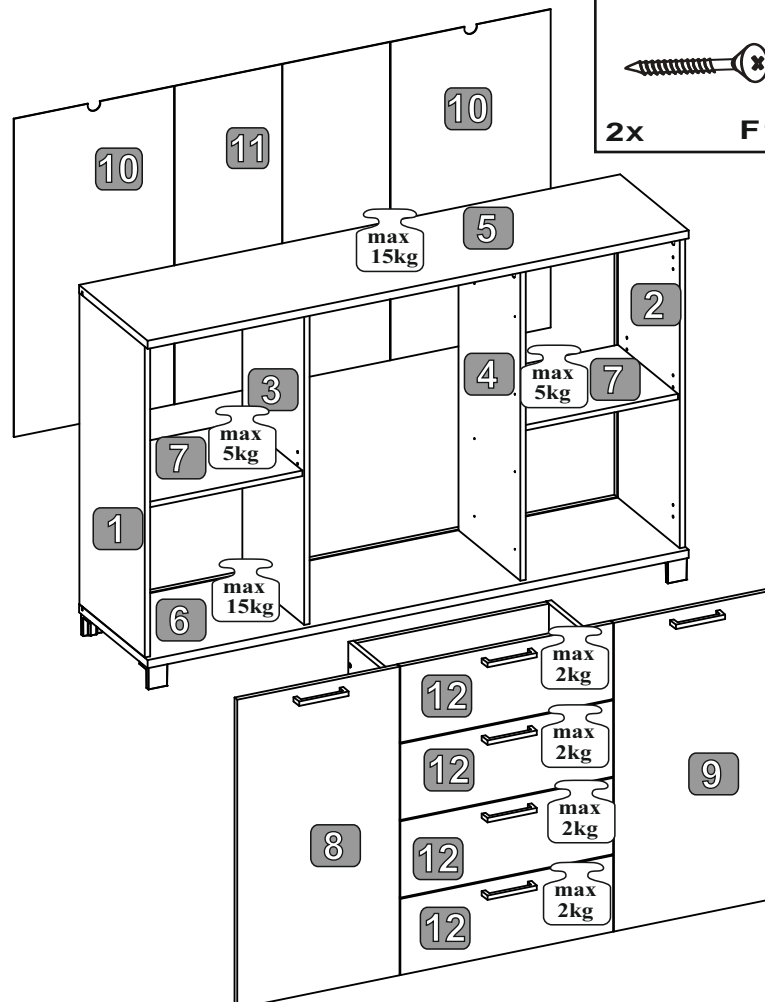
 15x12 16x T02	 16x T01	 8x28 48x D01	 7x50 8x W04	 1x K01	 5x40 8x W16	 1x K02	 8x P06	 3,5x13 32x W02	 6x U33
 4x C01	 12x R01	 10x G01	 10x BZN	 8x E01	 3,5x16 8x W30	 4x Z04	 KR-0 4x Z02	 4x25 36x W05	 6x S09
						 2x F11	 2x F01	 4x13 4x W07	 2x P01

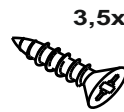

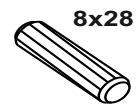
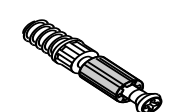


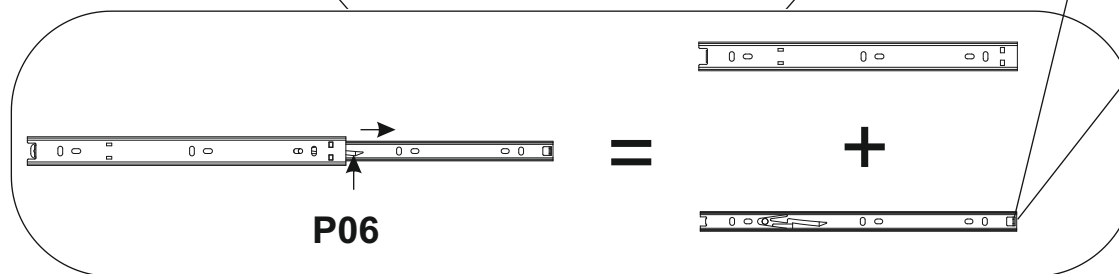
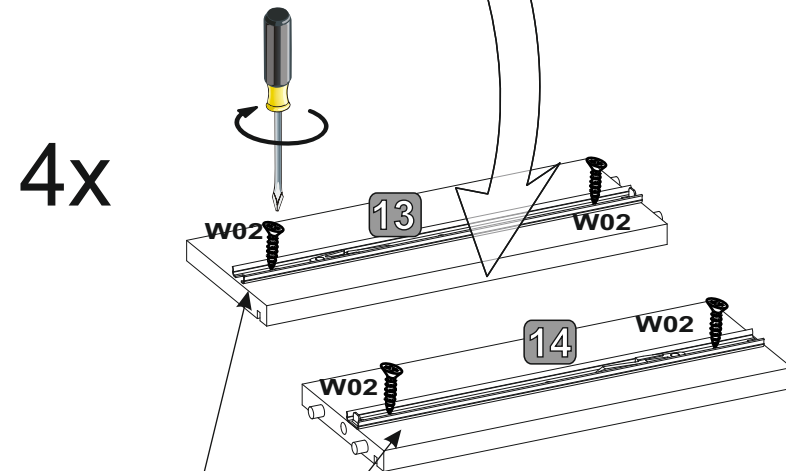
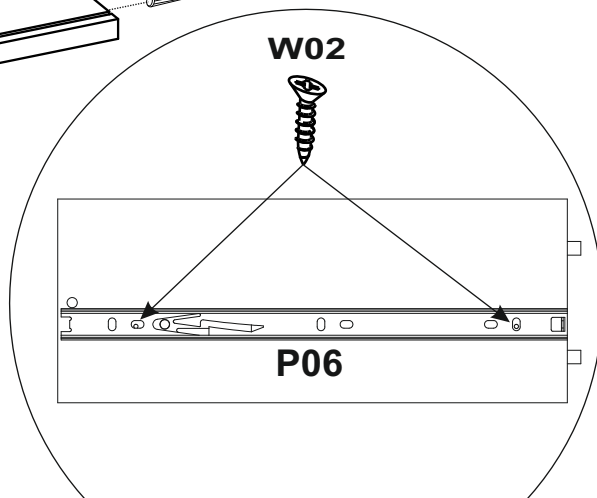
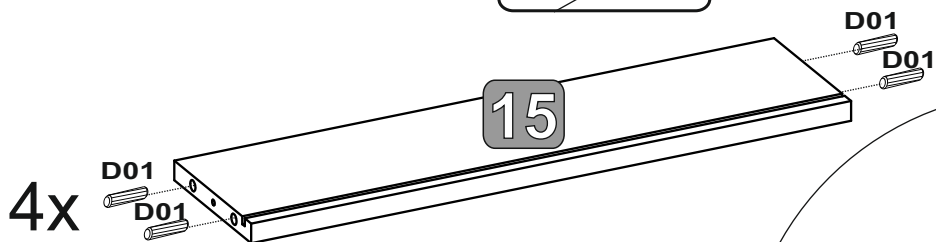
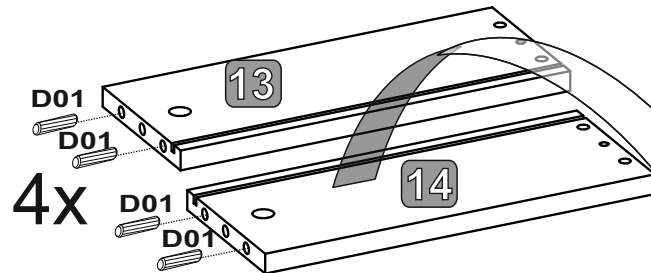
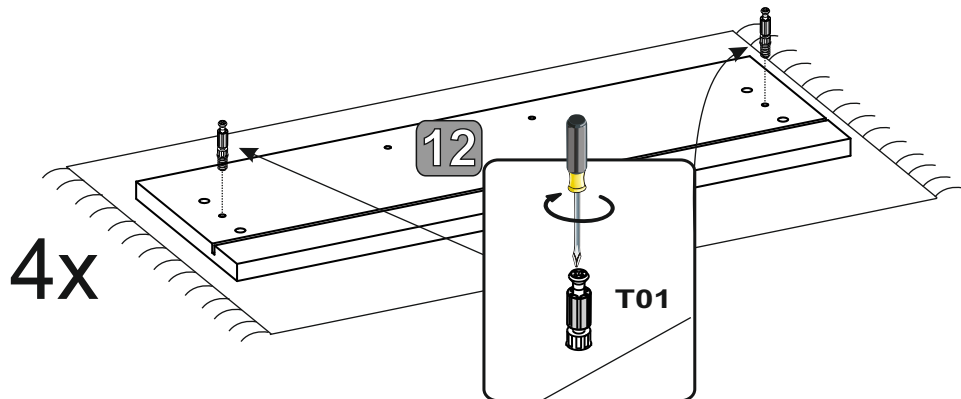
NR	DIM	QTE	COLLI
1	845x362x15	1	1/2
2	845x362x15	1	1/2
3	845x343x15	1	2/2
4	845x343x15	1	2/2
5	1500x380x22	1	2/2
6	1500x380x22	1	2/2
7	427x333x15	2	2/2
8	838x450x15	1	1/2
9	838x450x15	1	1/2
10	864x444x2	2	1/2
11	864x597x2	1	1/2
12	590x207x15	4	1/2
13	300x120x15	4	1/2
14	300x120x15	4	1/2
15	533x120x15	4	1/2
16	544x297x2	4	1/2

0 10 20 30 40 50 60 70 80 90 100 110 120 130 140 150 160 170 180 190 200


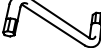
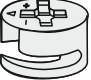



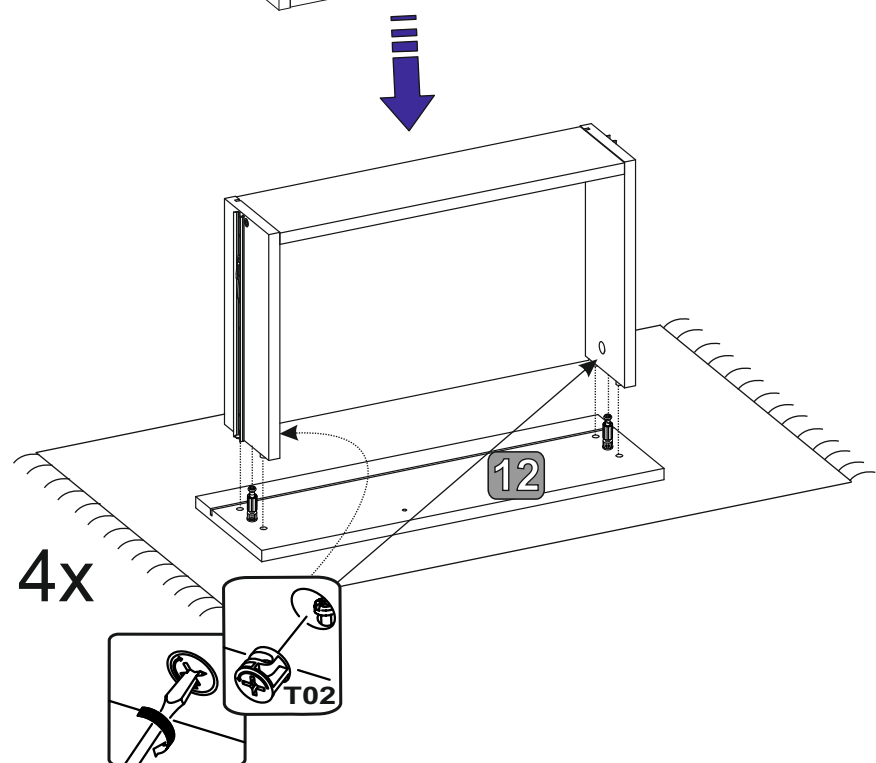
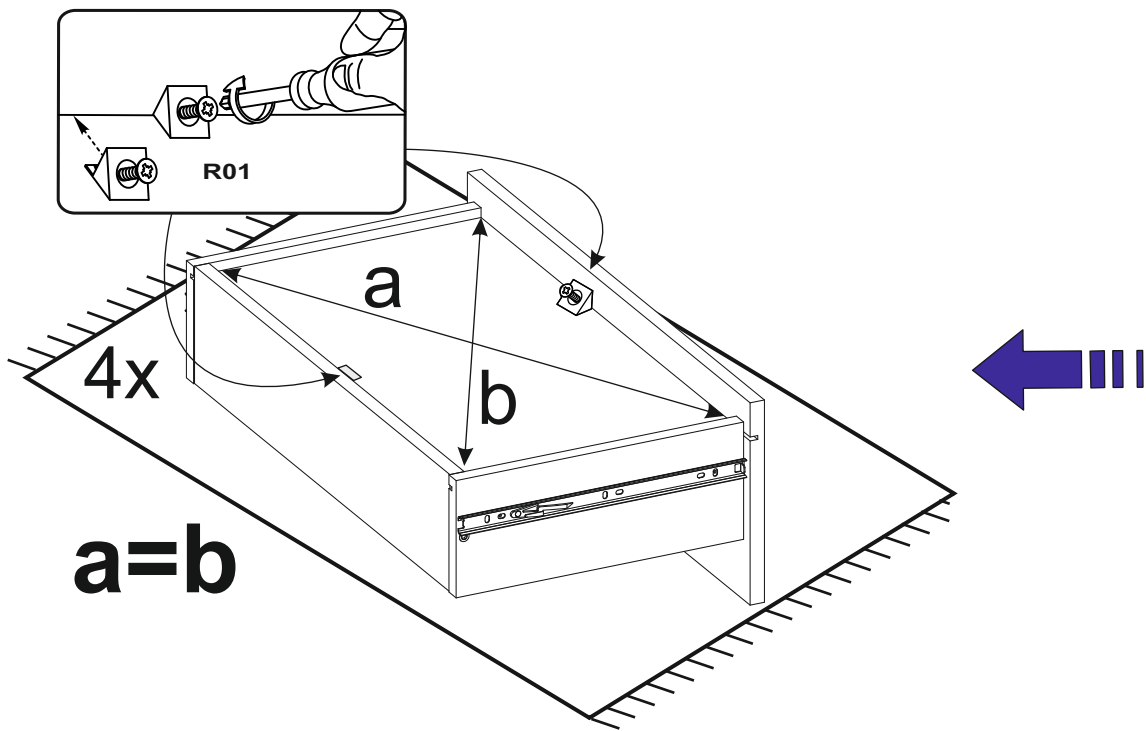
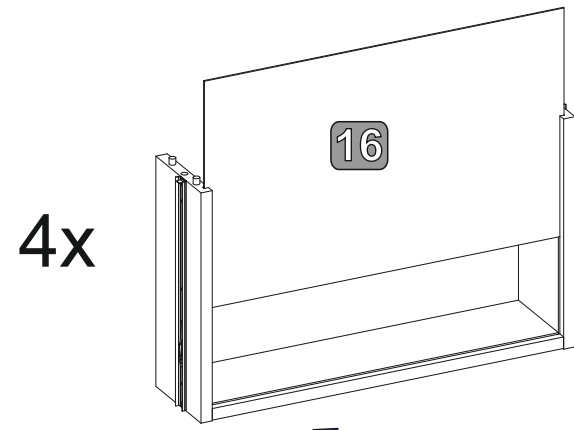
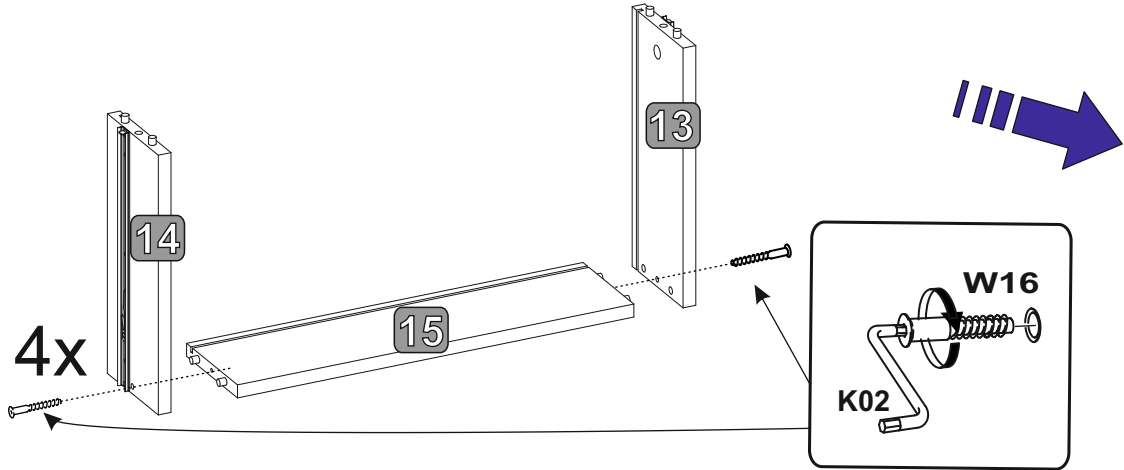
1

 3,5x13 16x W02	 8x P06	 8x28 32x D01	 8x T01
--	---	--	---

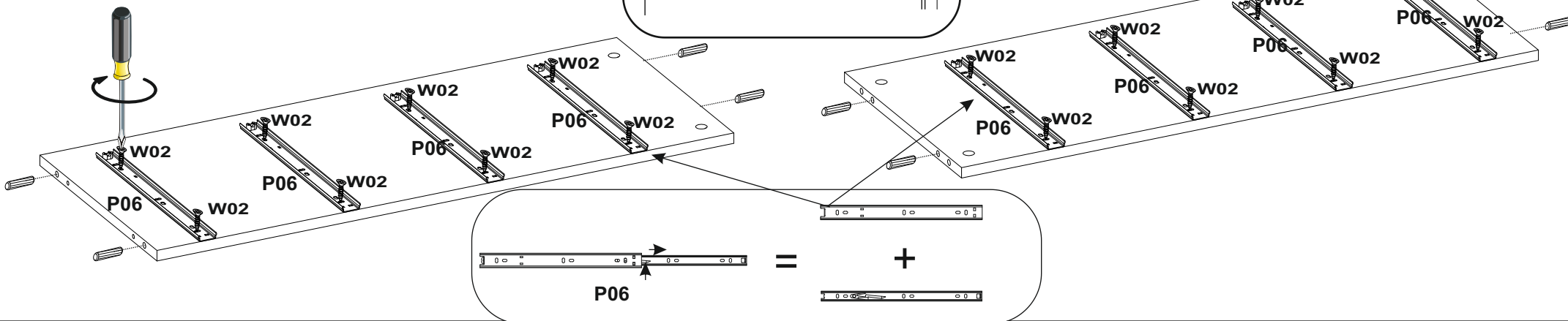
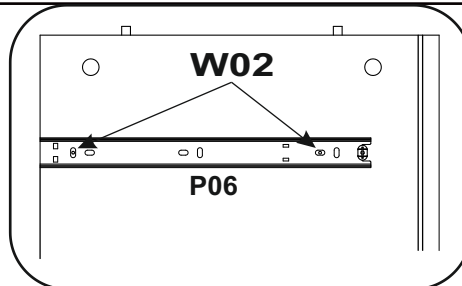
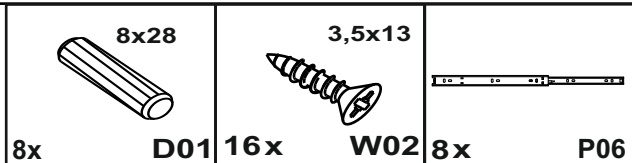


2

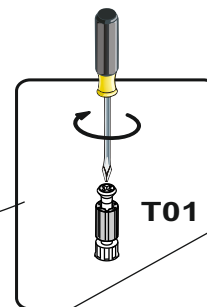
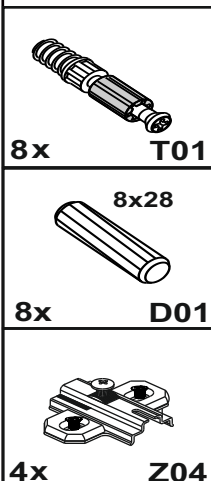
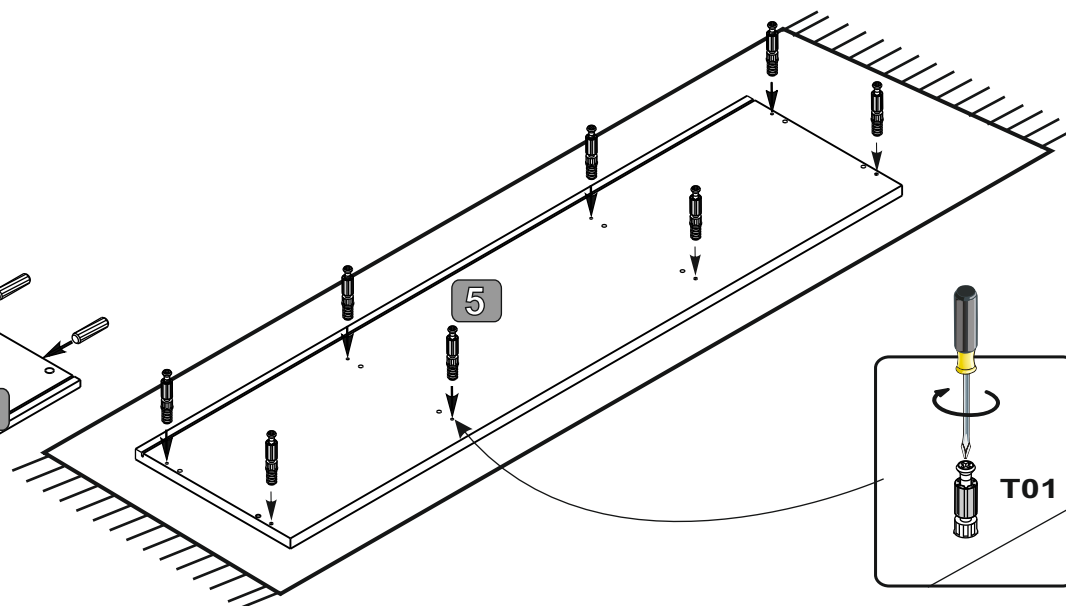
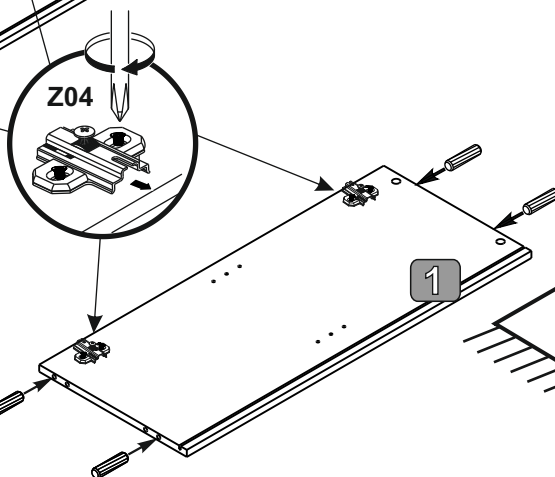
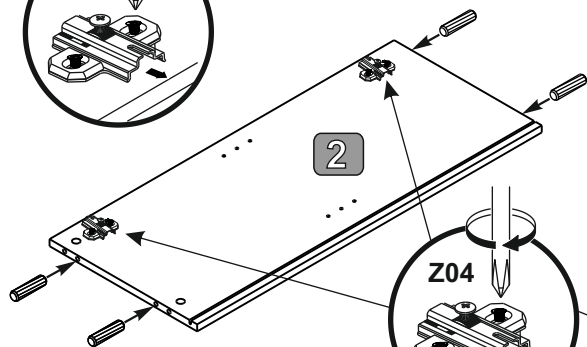
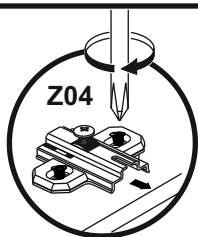
 8x R01	 1x K02	 8x T02 15x12	 8x W16 5x40
---	---	--	---



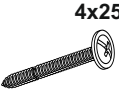
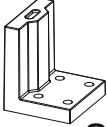
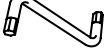

3

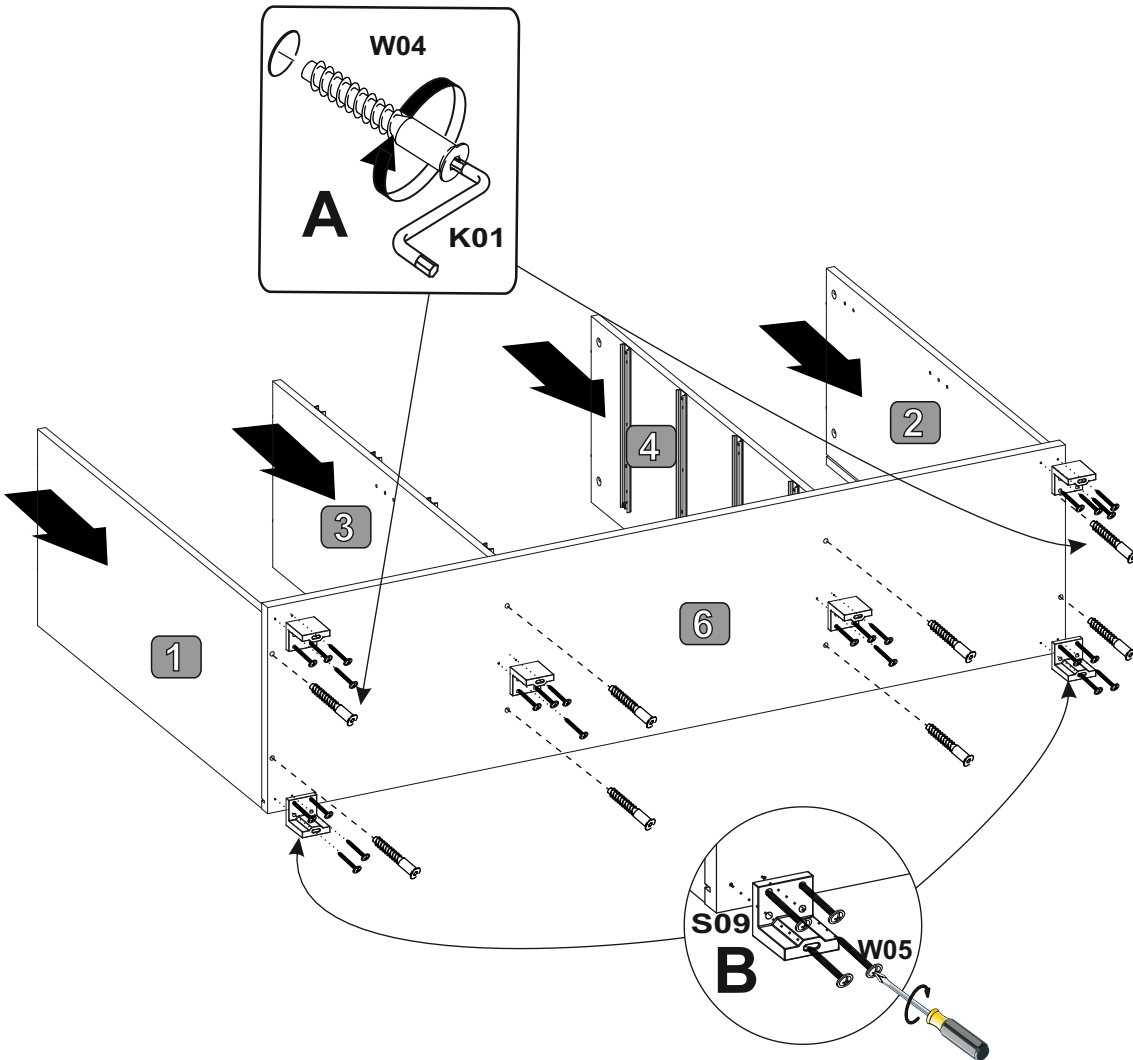


4

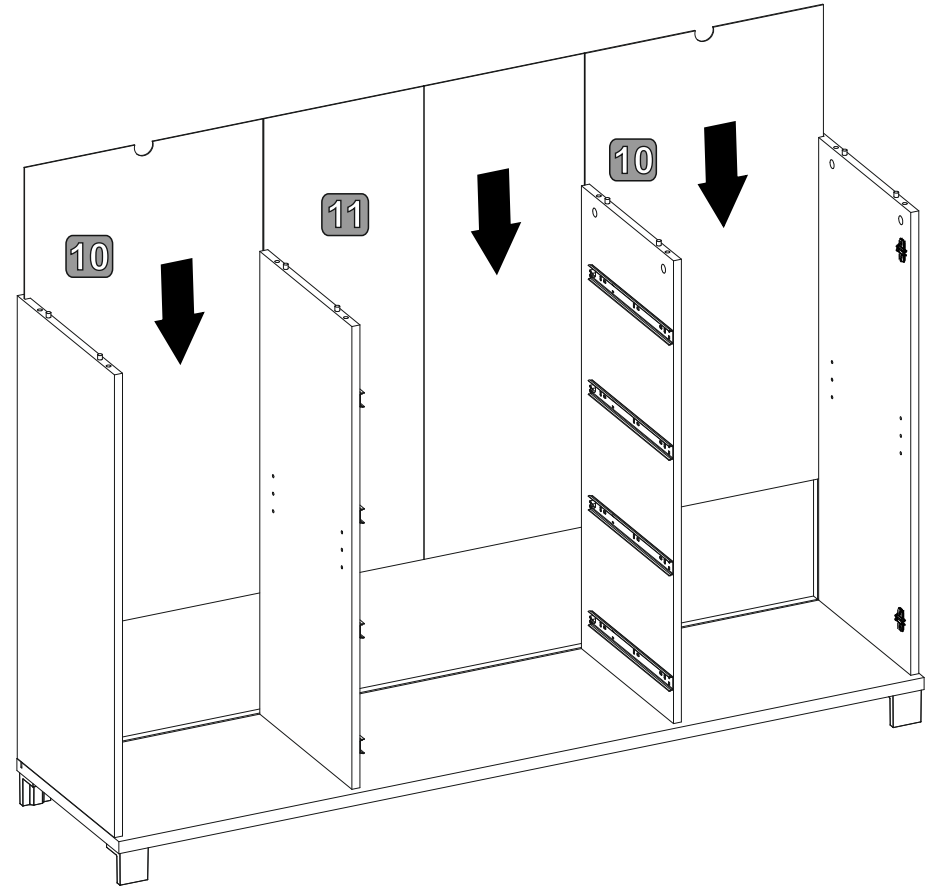


5

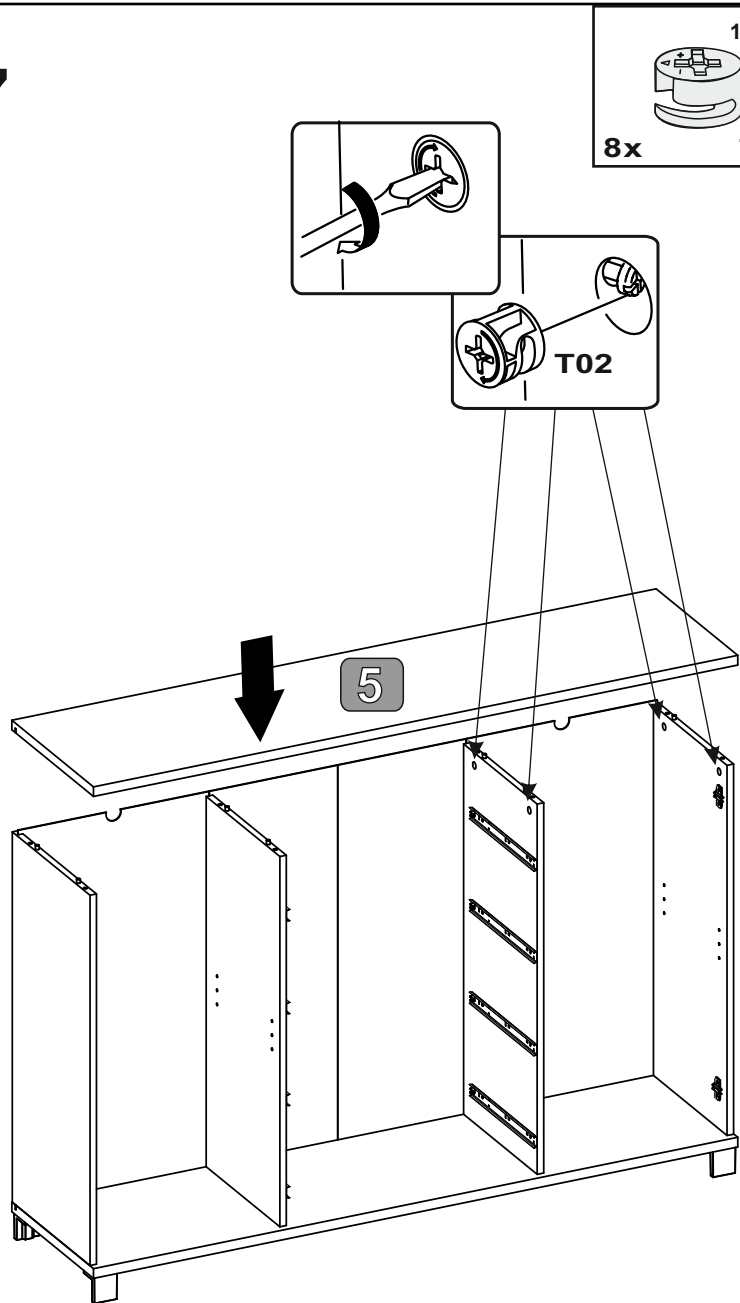
 4x25	 S09	 K01	 7x50
24x W05	6x	1x	8x W04



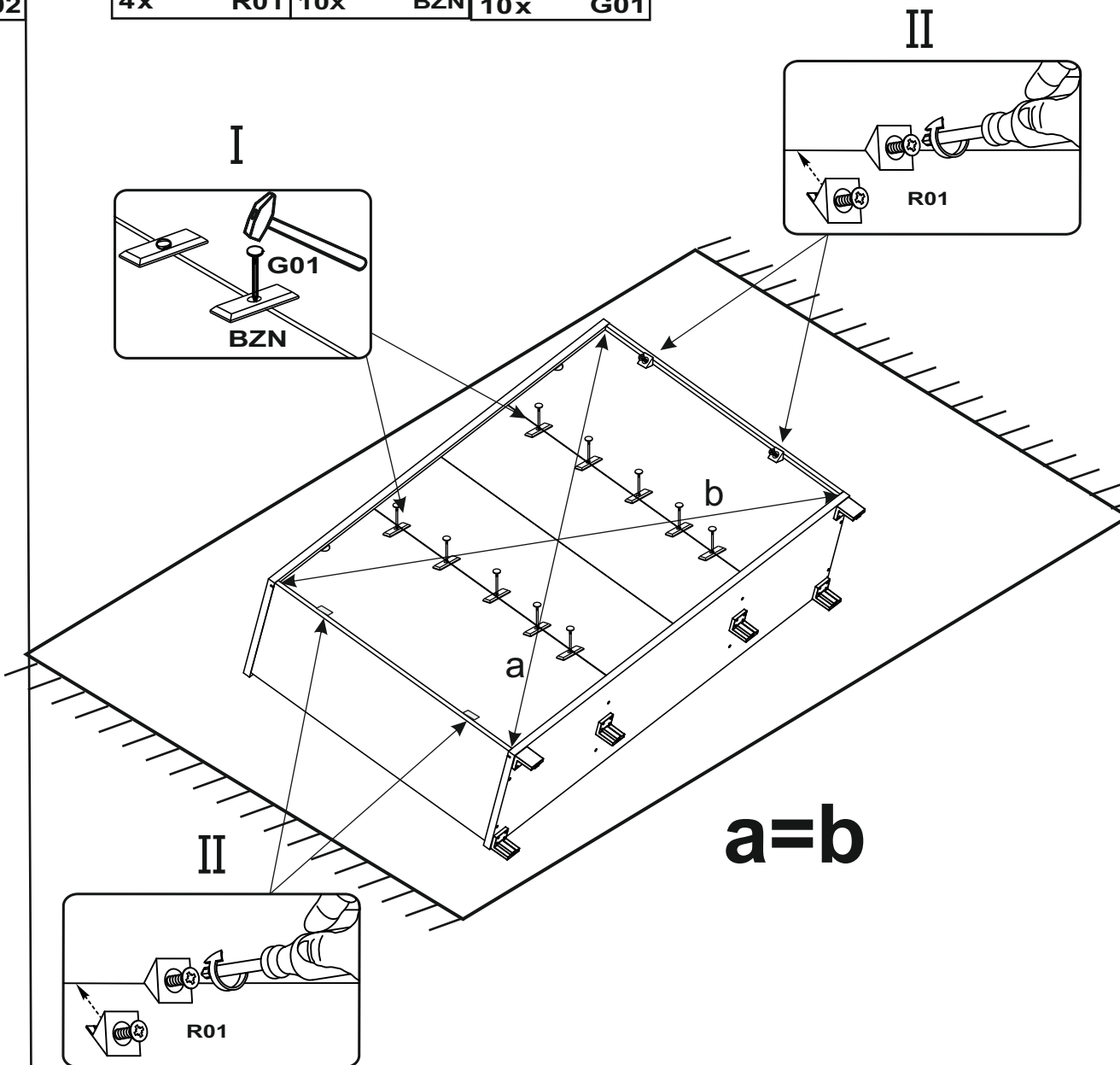
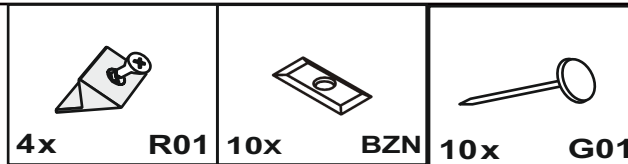
6




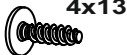


7

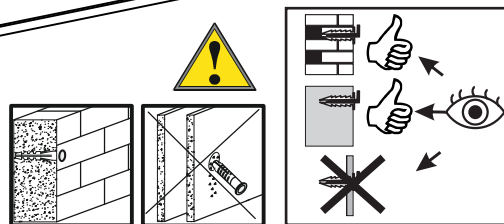
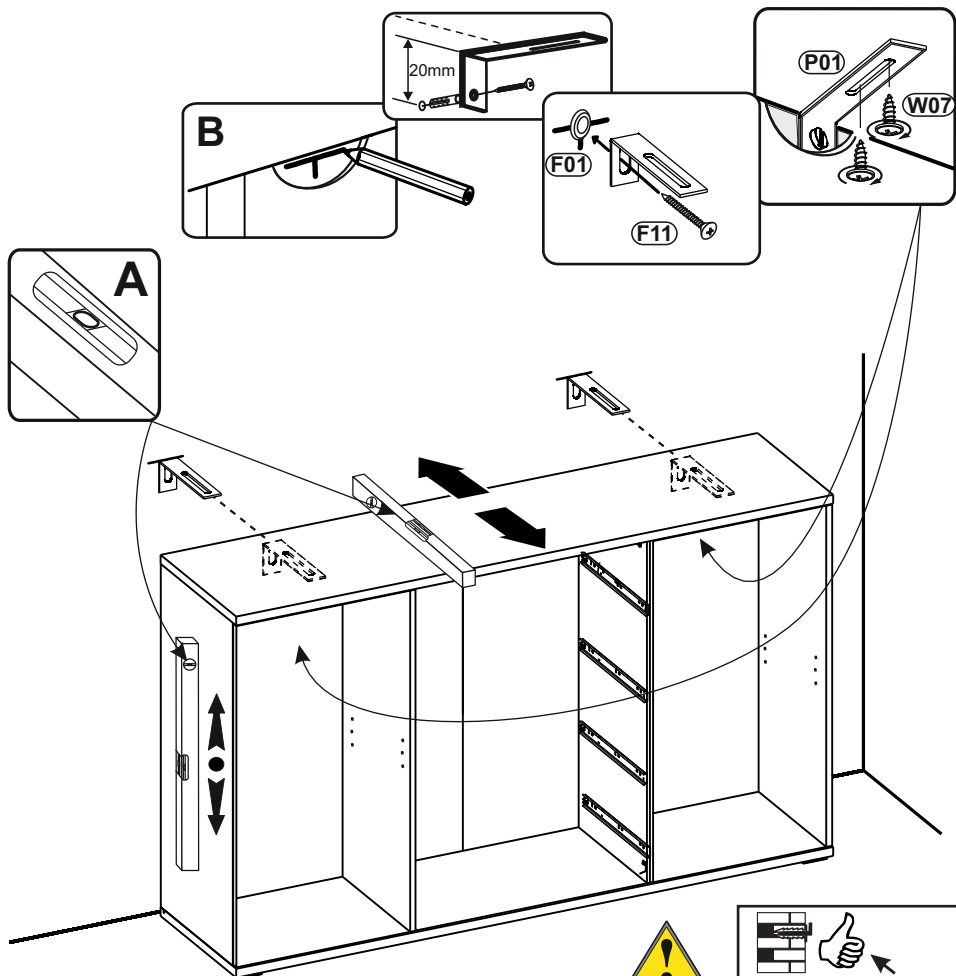


8






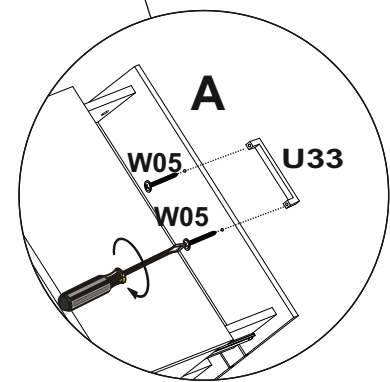
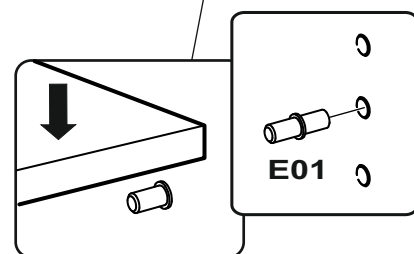
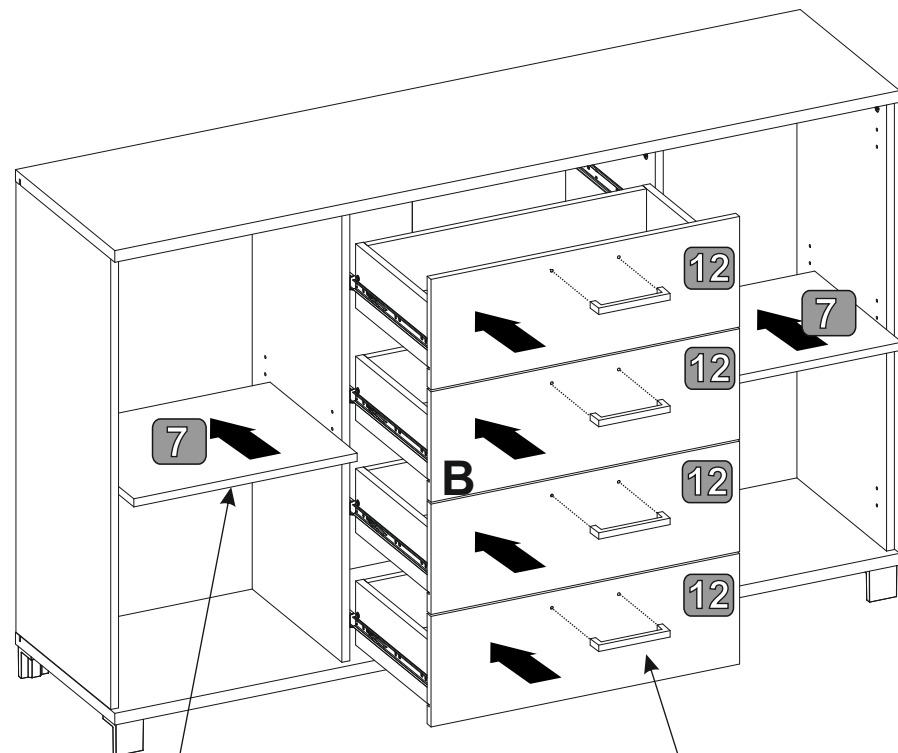
9

			
2x P01	4x W07	2x F11	2x F01

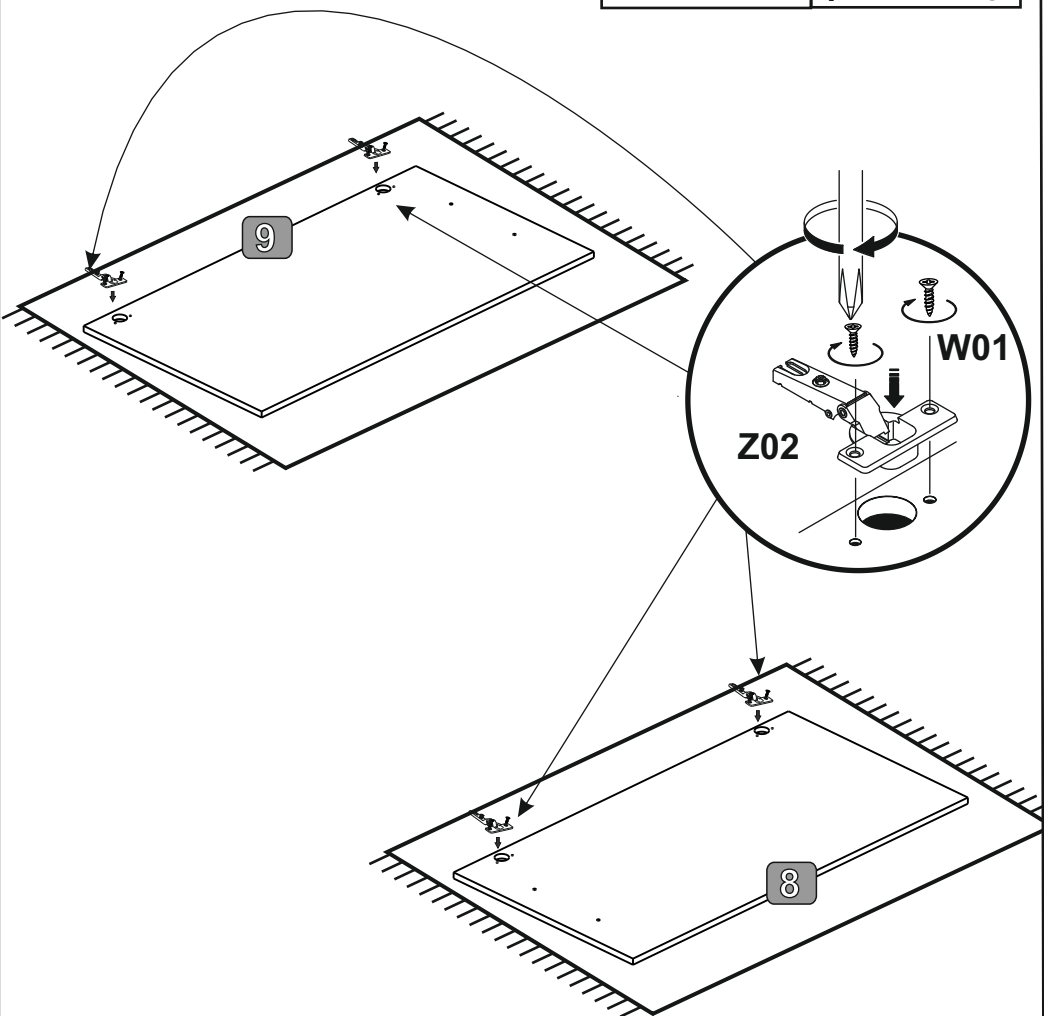
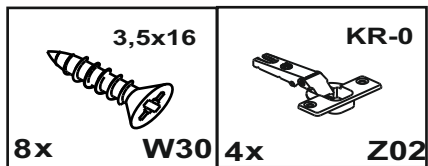


10

		
8x W05	4x U33	8x E01



11



12

