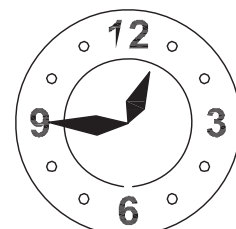
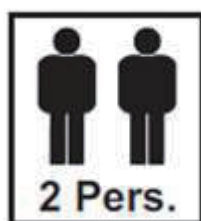
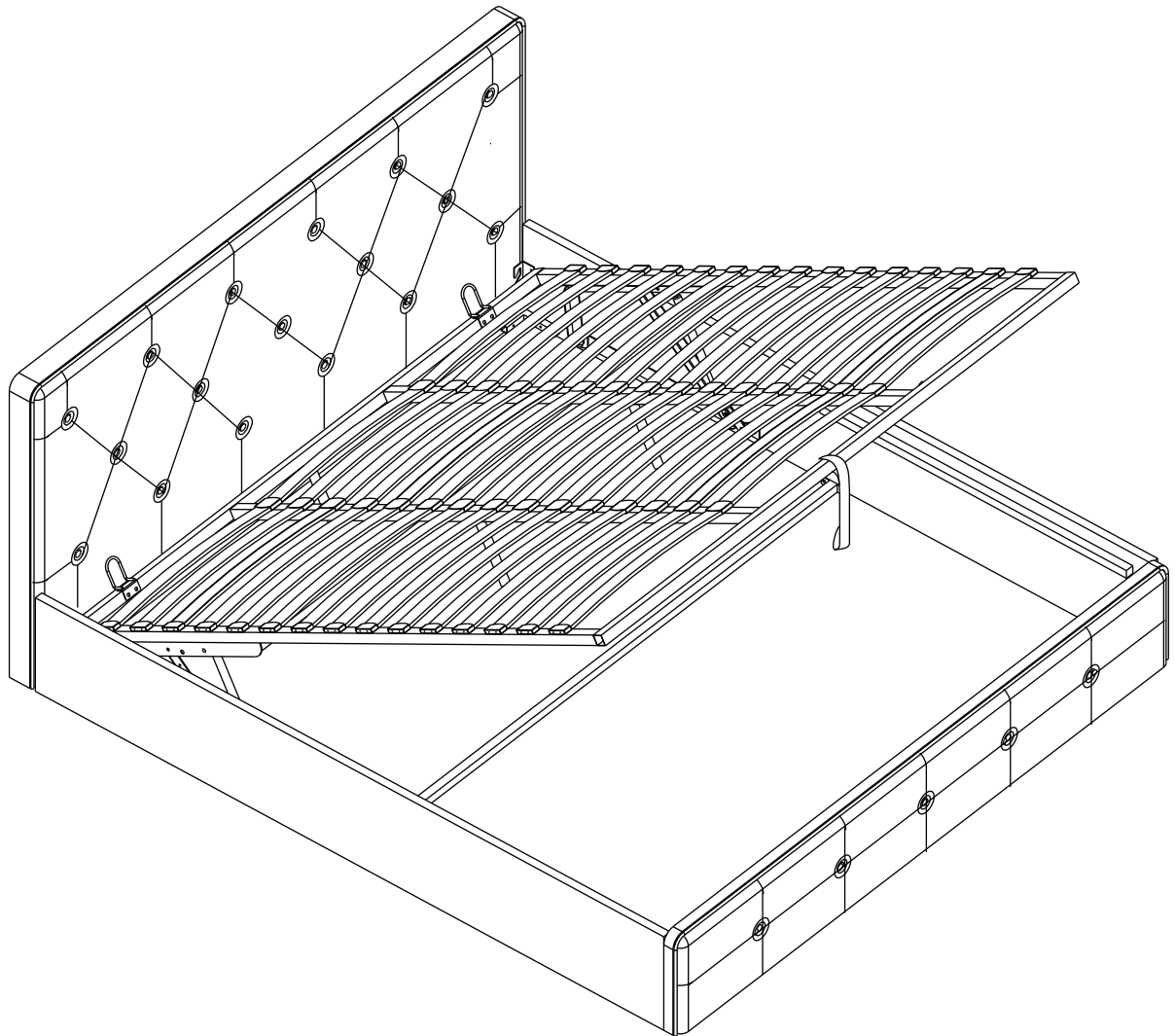
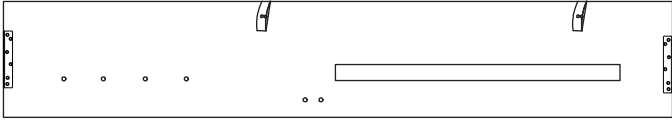


22160003/01



45min

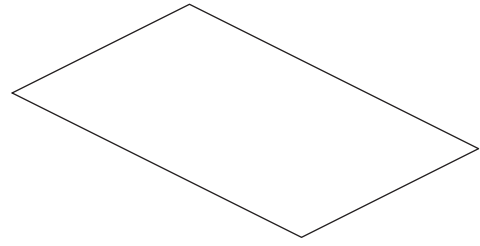
①



2045x305x40mm

1 PCS

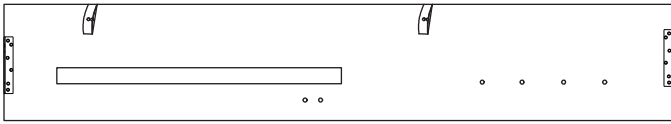
⑦



2075x1850mm

1 PCS

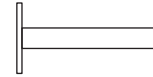
②



2045x305x40mm

1 PCS

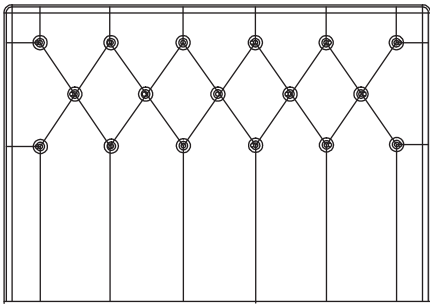
⑧



205x80x25mm

4 PCS

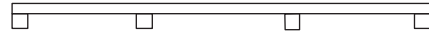
③



1195x960x80mm

1 PCS

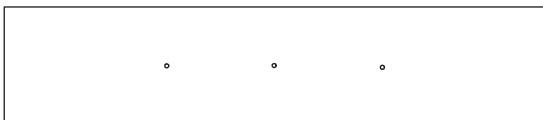
⑨



1810x118x30mm

1 PCS

④



1895x310x55mm

1 PCS

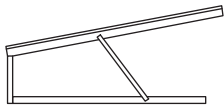
⑩



1810x118x30mm

1 PCS

⑤



750x115x38mm

2 PCS

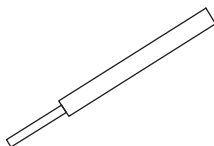
⑪



1925x30x30mm

2 PCS

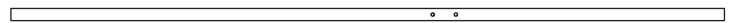
⑥



φ20x420mm

2 PCS

⑫



1925x30x30mm

2 PCS

⑬



590x53x9mm

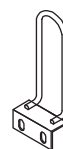
45 PCS

14



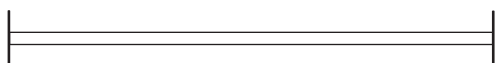
30 PCS

18



2 PCS

15



1820x80x25mm

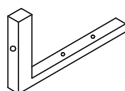
1 PCS

19



30 PCS

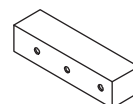
16



120x80x20mm

4 PCS

20



900x30x30mm

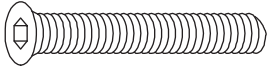
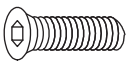
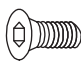

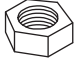

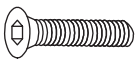
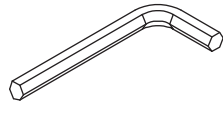
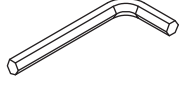

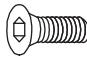

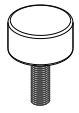
1 PCS

17

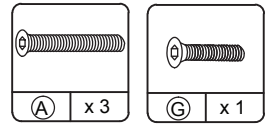
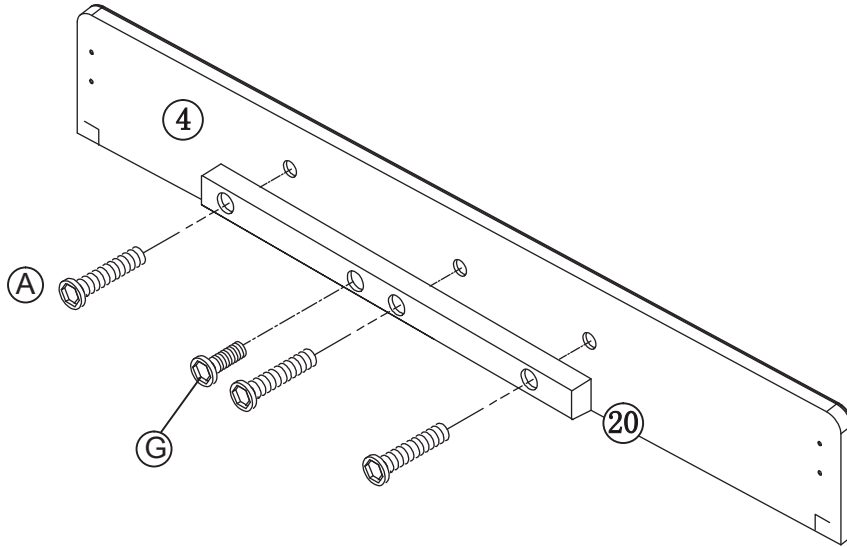


1800x20x10mm

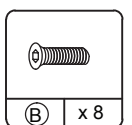
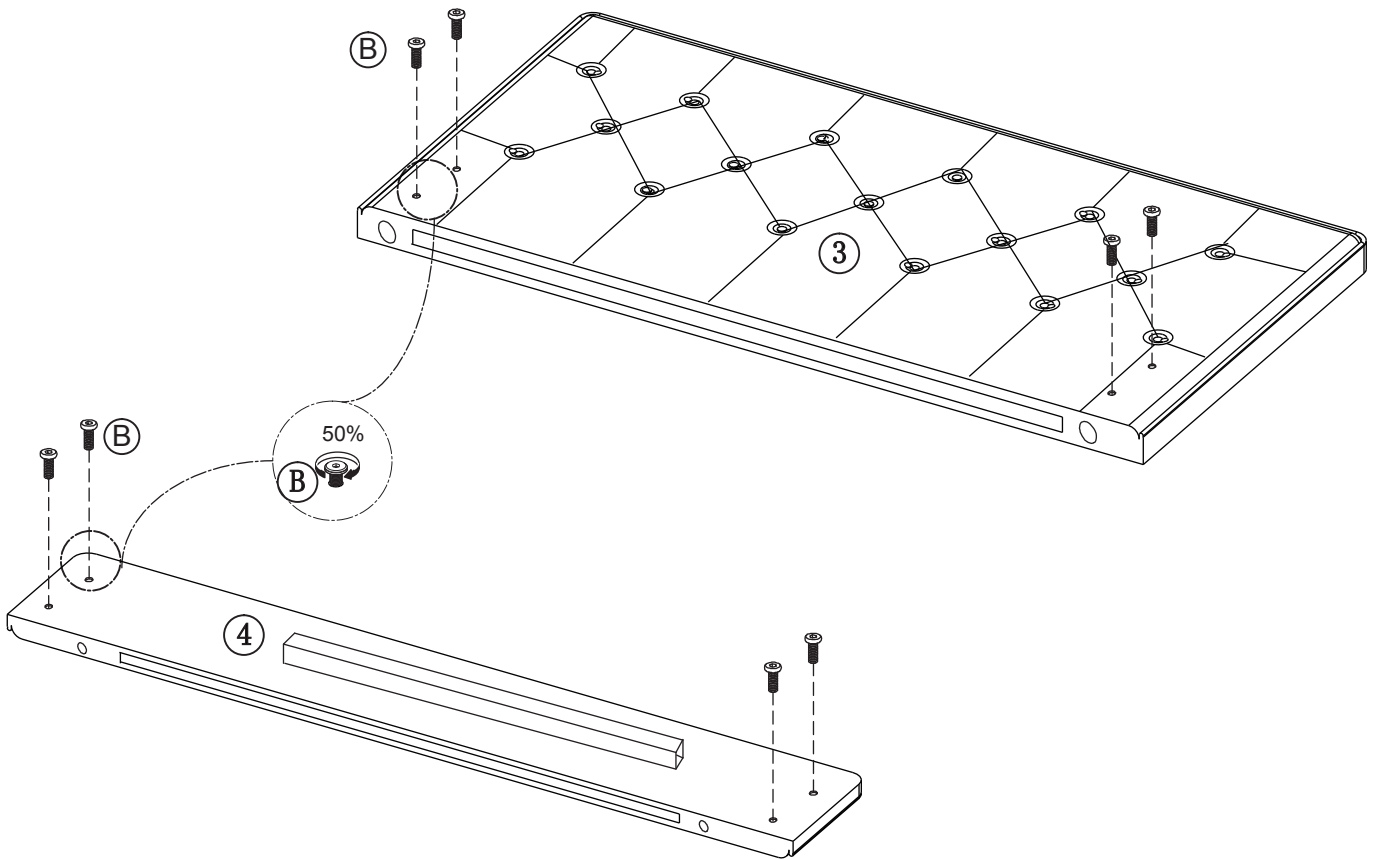
1 PCS

| | | |
|--|--|---|
| <p>(A) </p> <p>M8 x45mm 3PCS</p> | <p>(B) </p> <p>M8x25mm 24 PCS</p> | <p>(C) </p> <p>M6 x15mm 12 PCS</p> |
| <p>(D) </p> <p>M4x35mm 12 PCS</p> | <p>(E) </p> <p>4 PCS</p> | <p>(F) </p> <p>19mm 16 PCS</p> |
| <p>(G) </p> <p>M6 x35mm 1 PCS</p> | <p>(H) </p> <p>5mm 1 PCS</p> | <p>(I) </p> <p>4mm 1 PCS</p> |
| <p>(J) </p> <p>1 PCS</p> | <p>(K) </p> <p>M6x20mm 18 PCS</p> | <p>(L) </p> <p>1 PCS</p> |
| <p>(M) </p> <p>M8x40mm 4 PCS</p> | | |

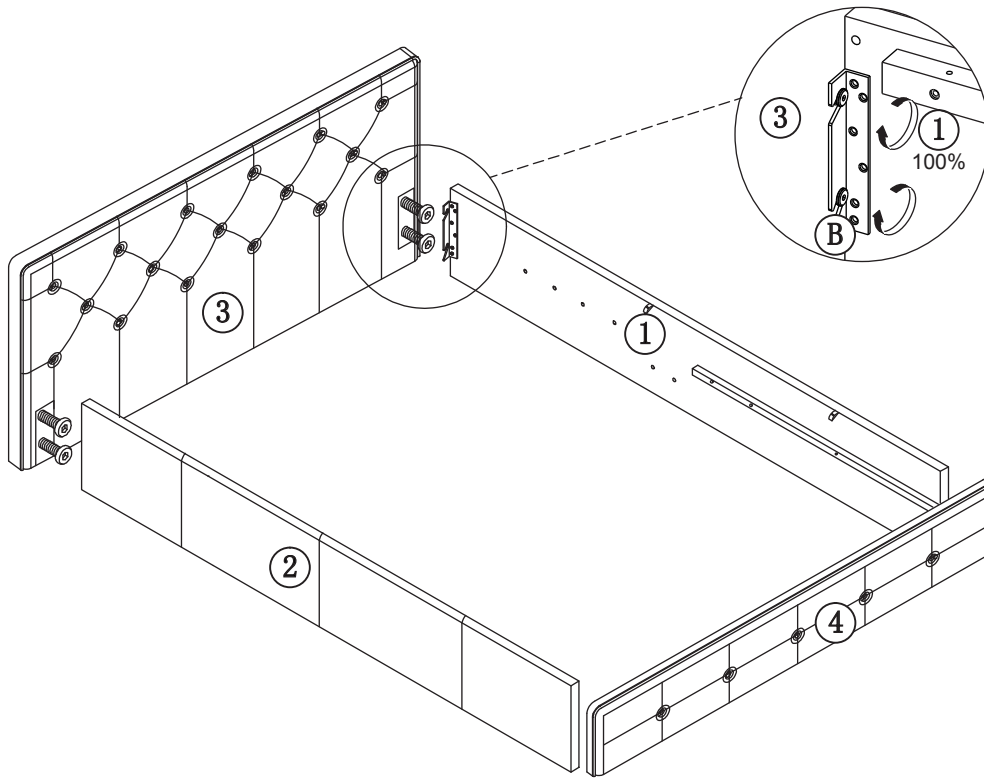
1



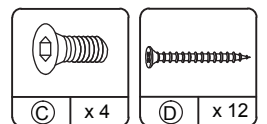
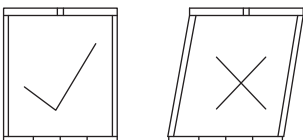
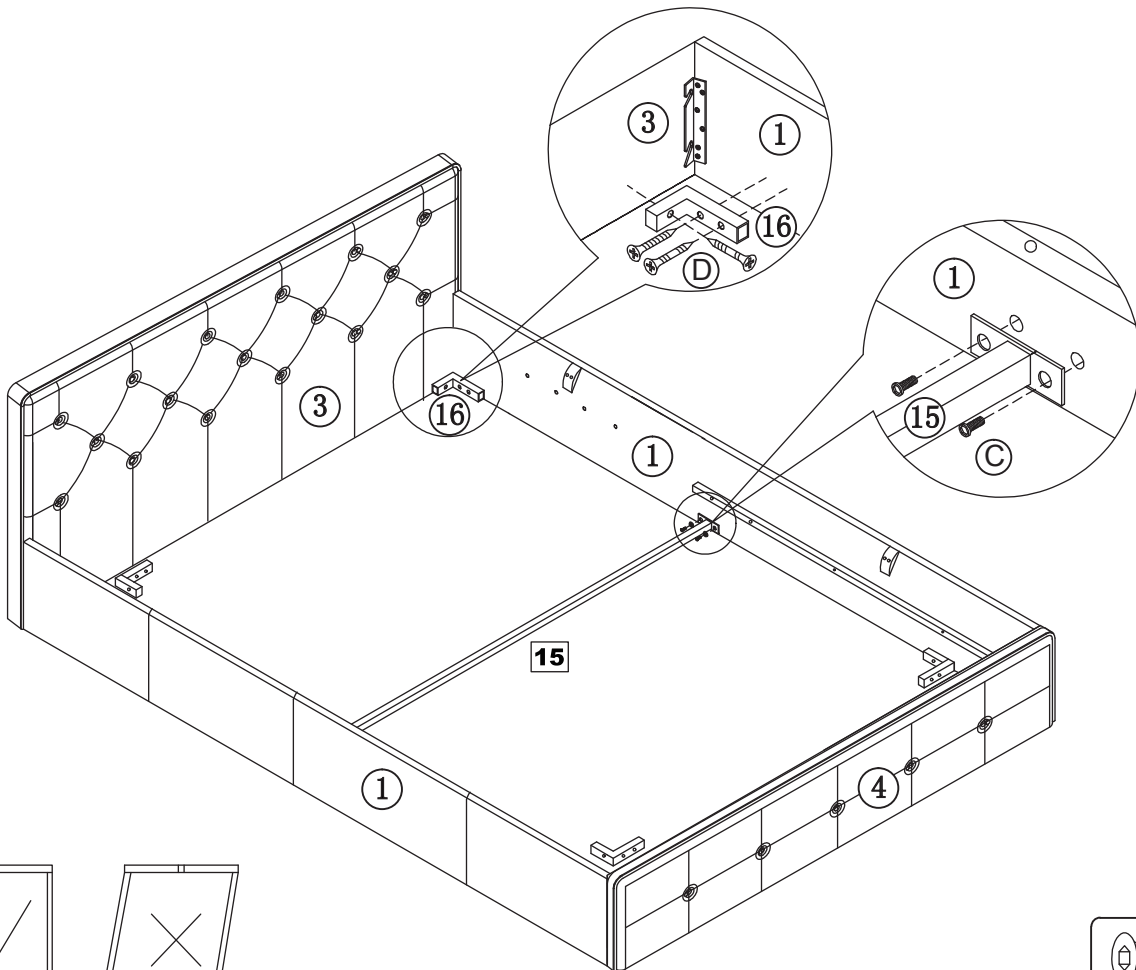
2



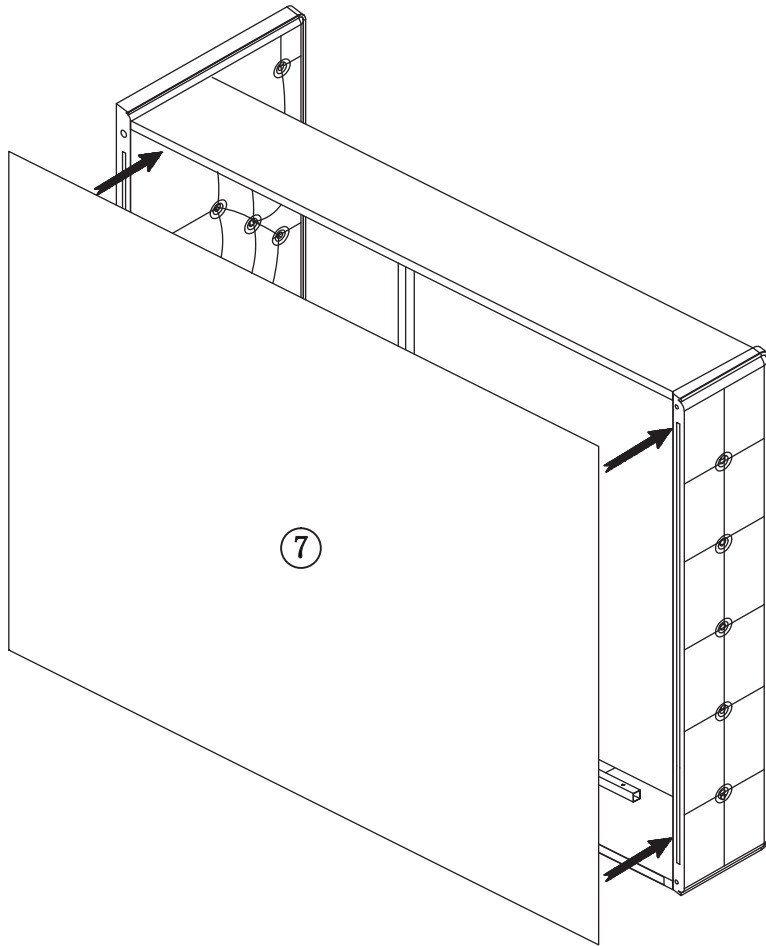
3



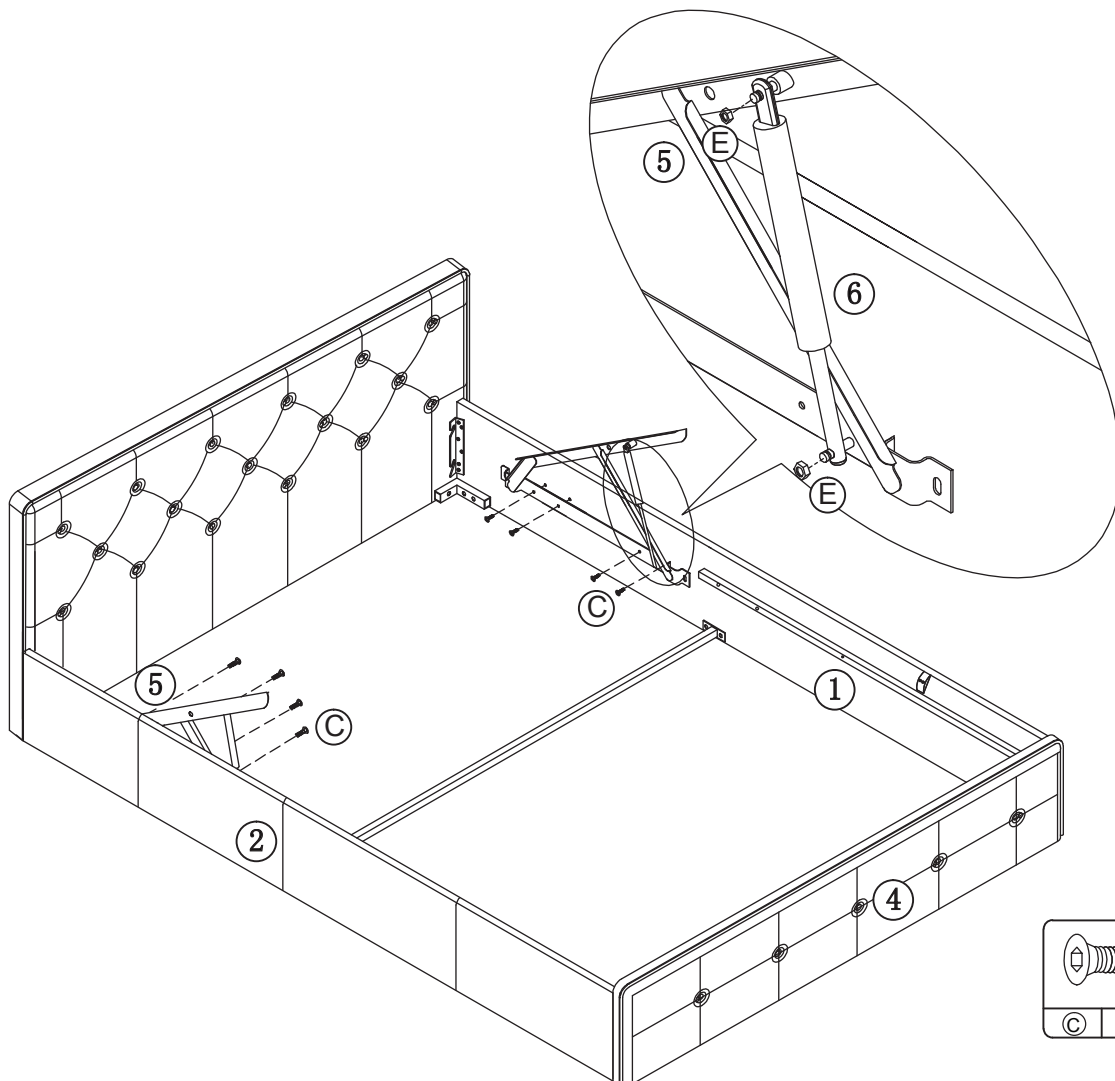
4



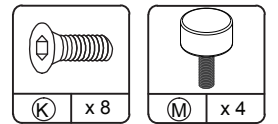
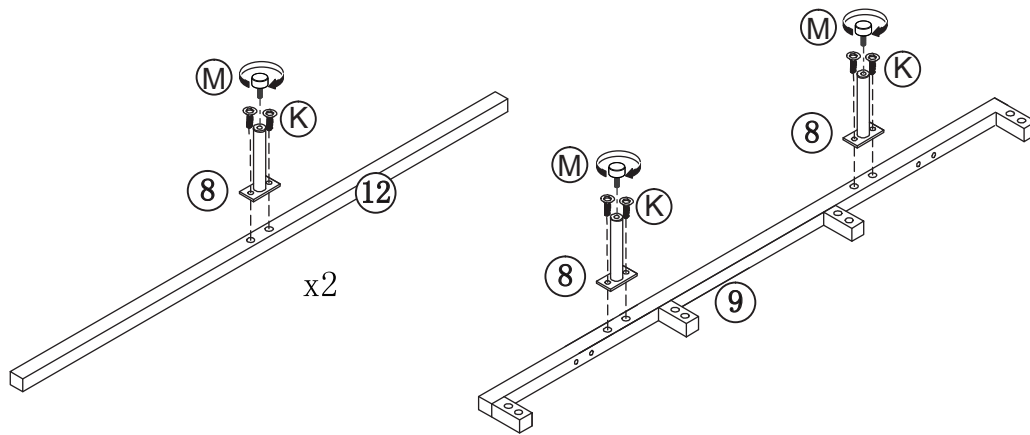
5



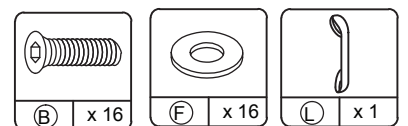
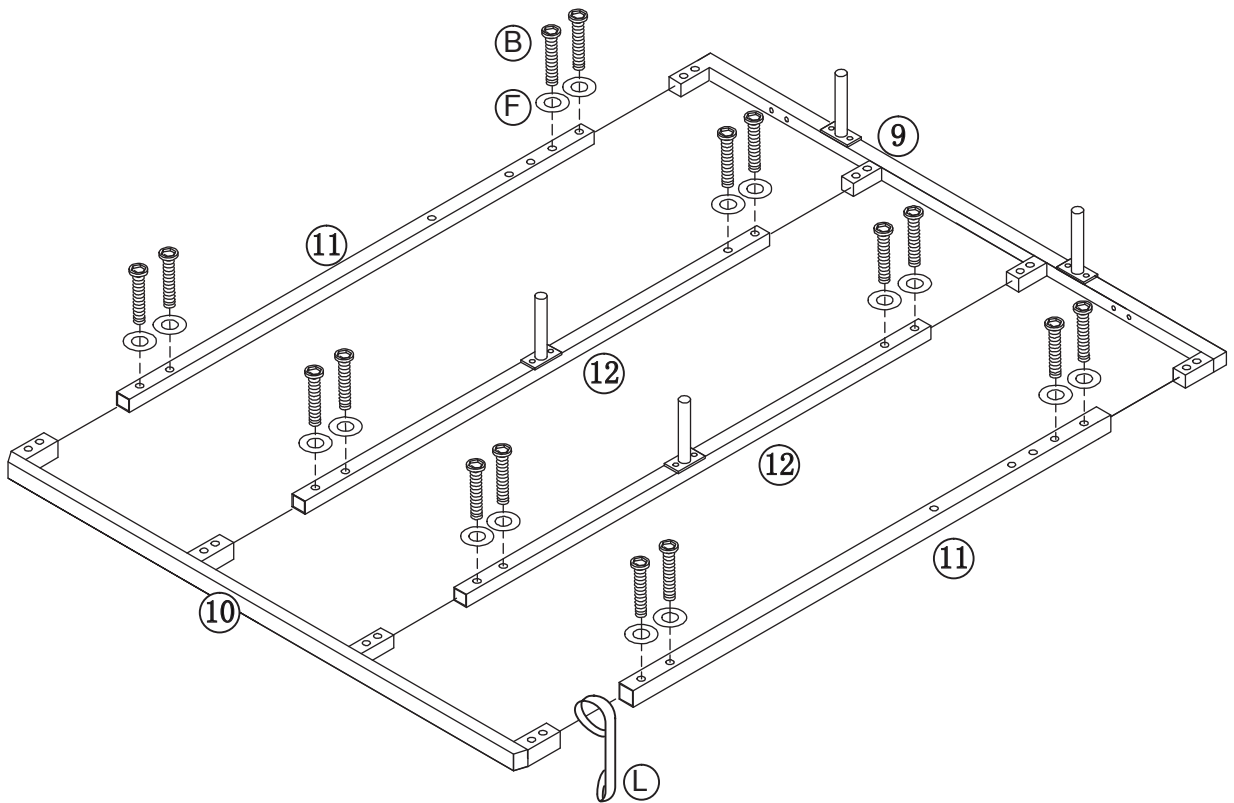
6



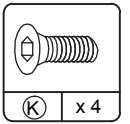
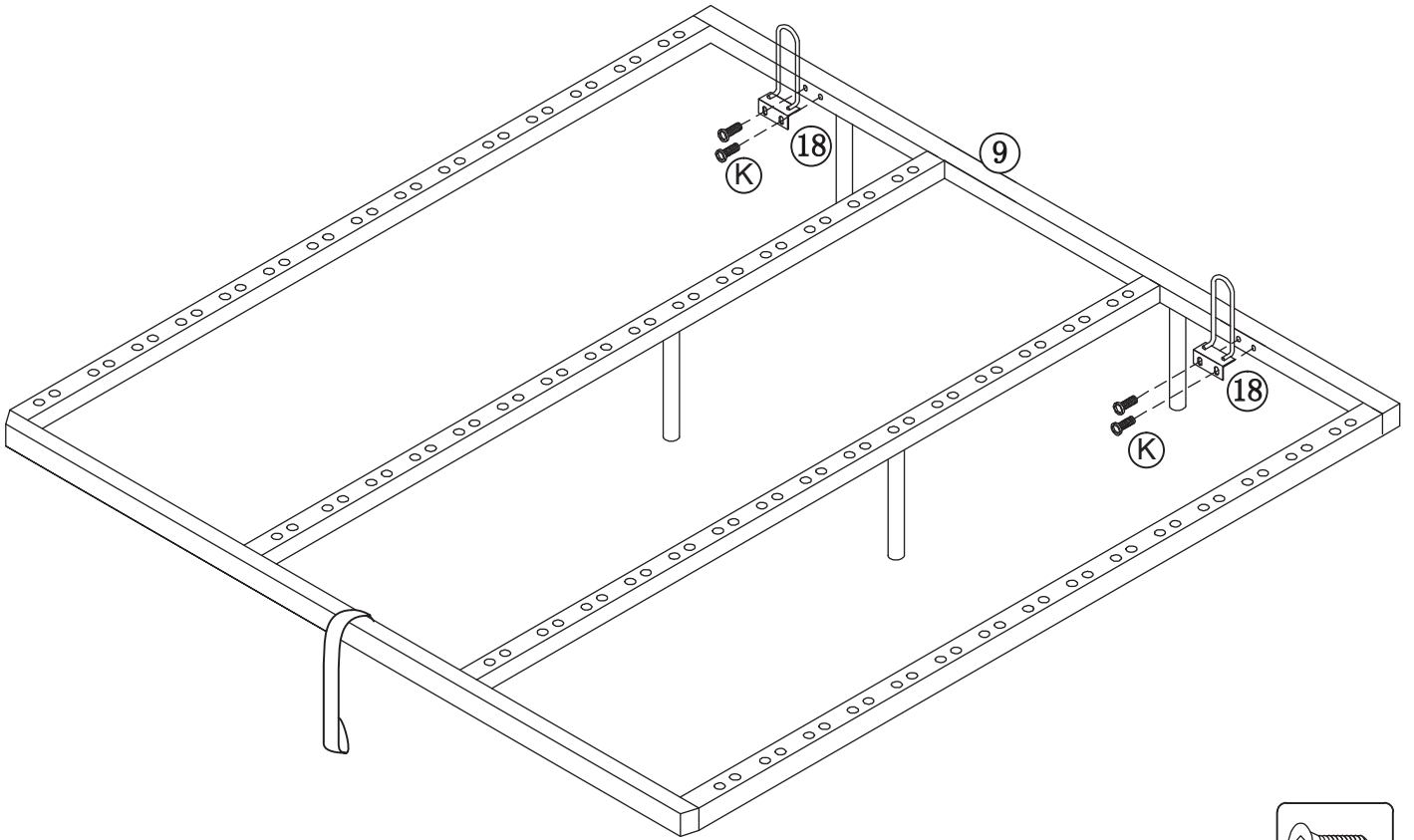
7



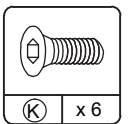
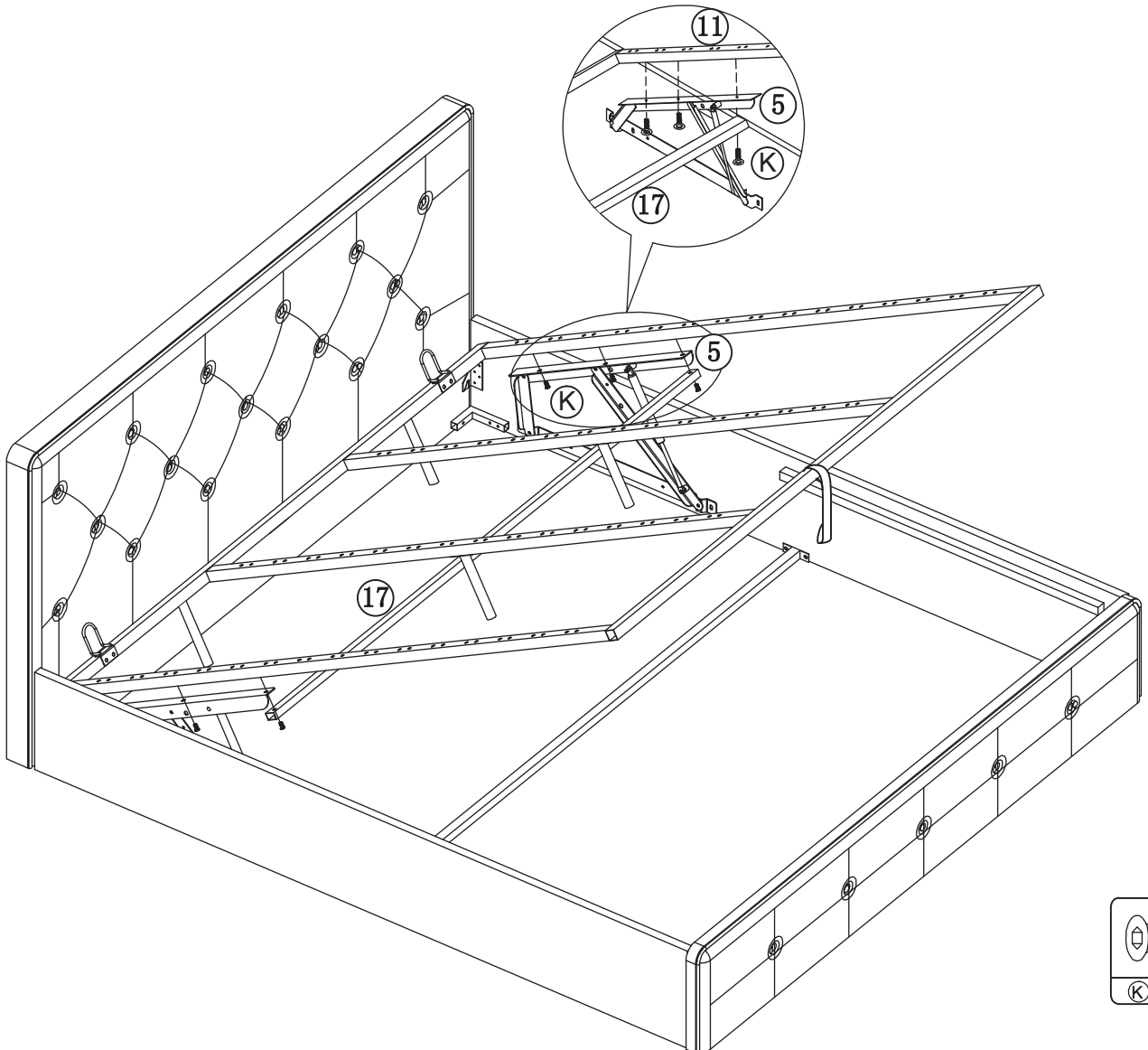
8



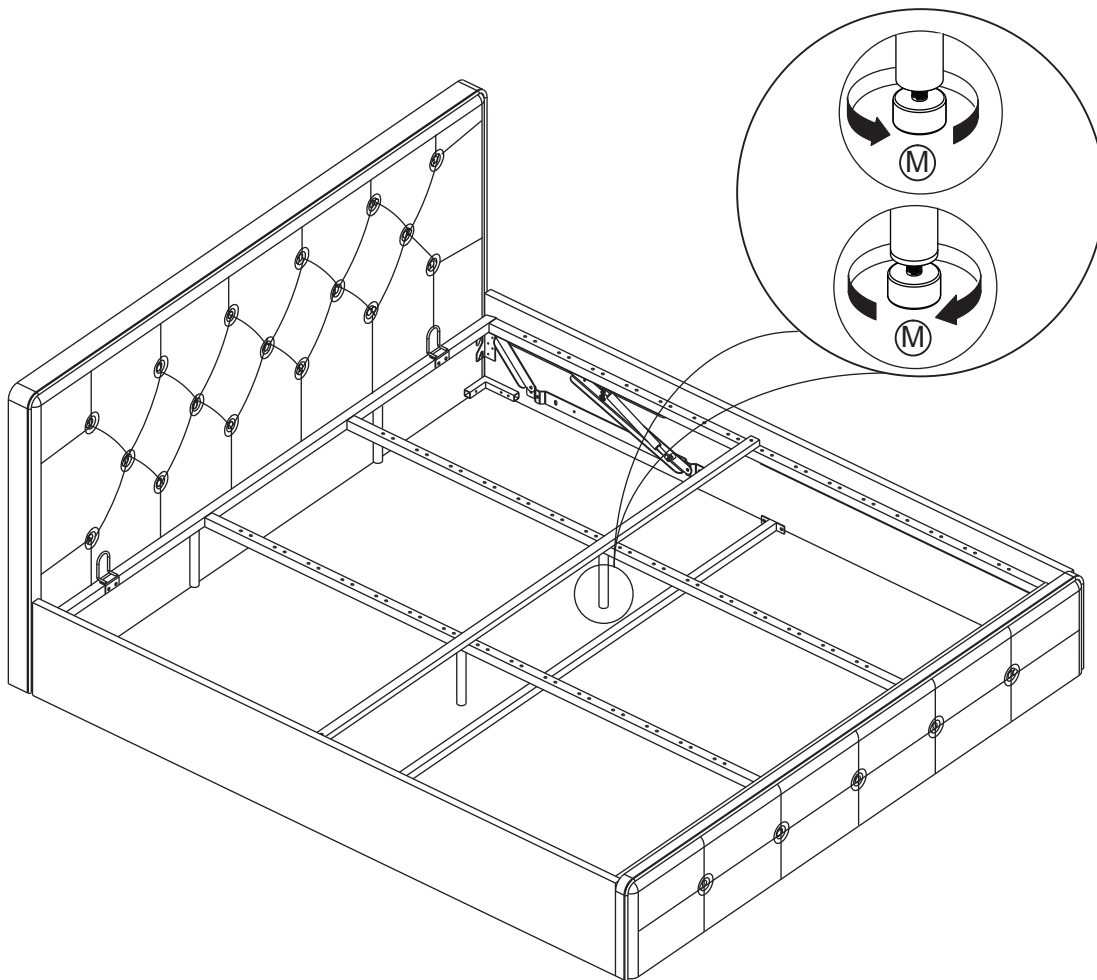
9



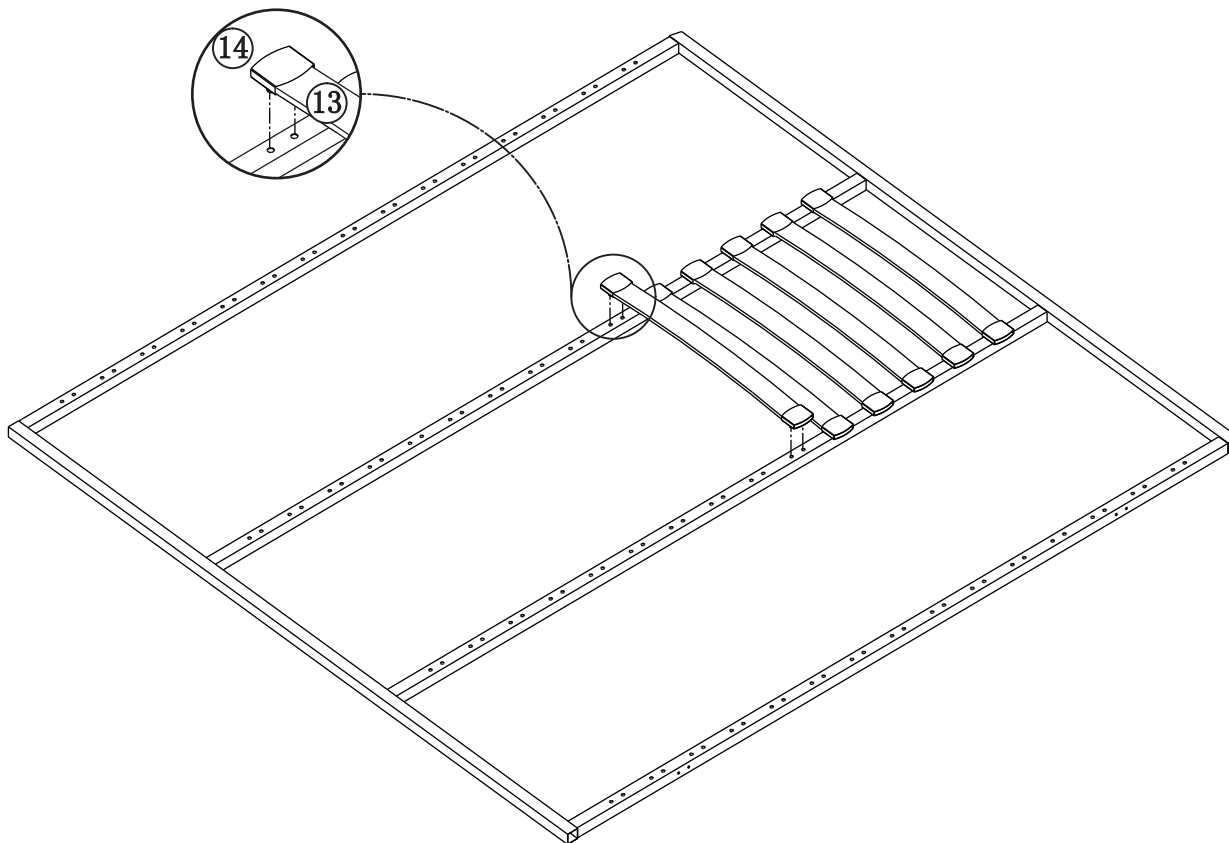
10



11



12



13

