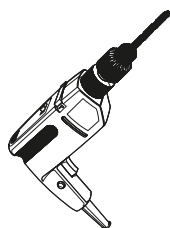
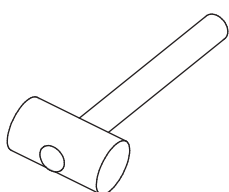
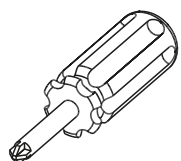
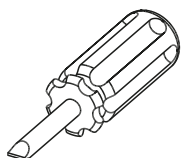
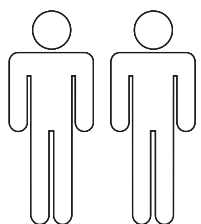
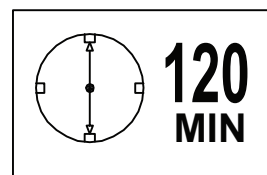
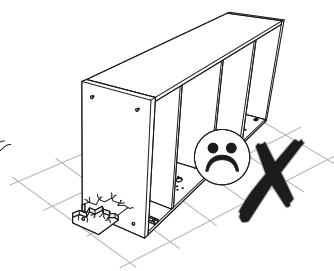
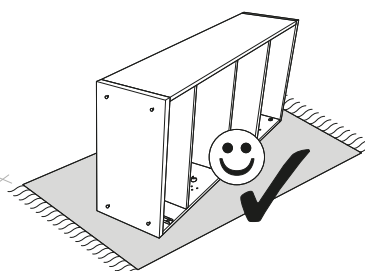
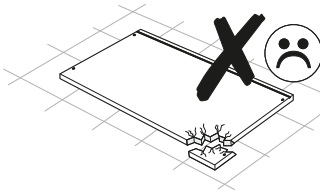
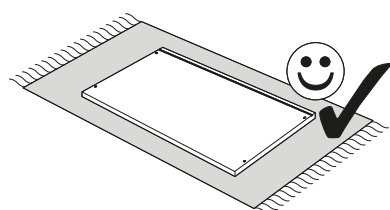
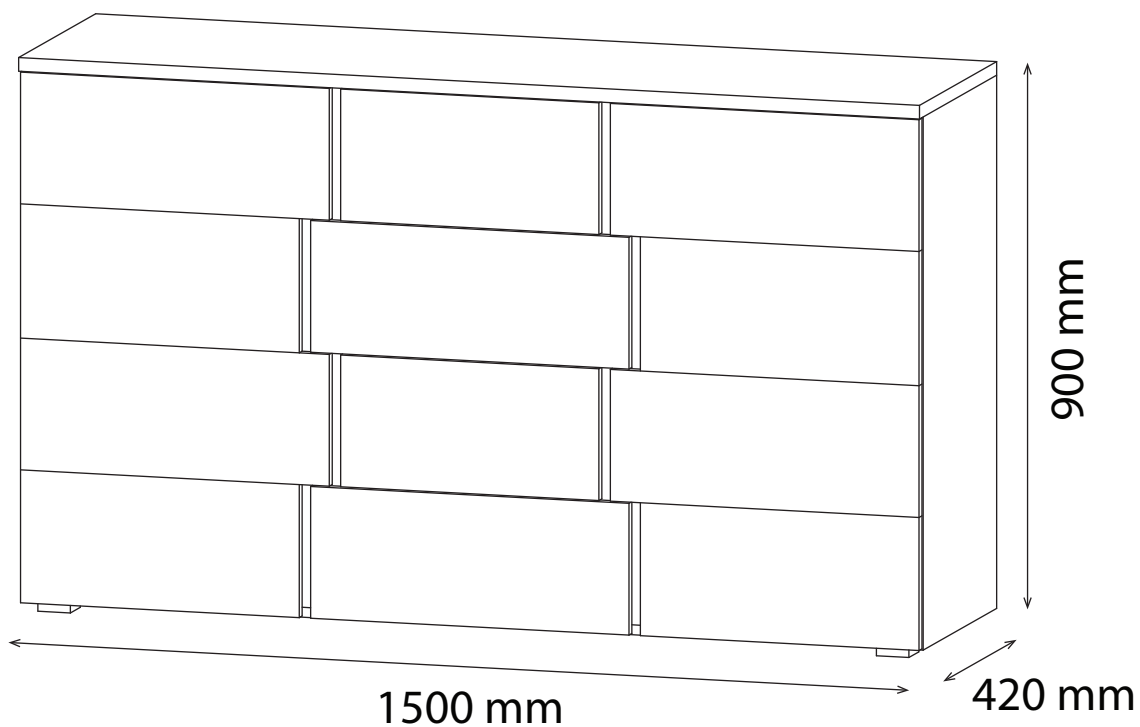
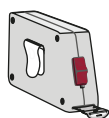



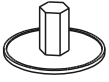







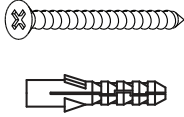
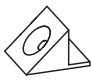
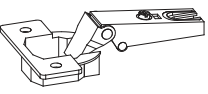
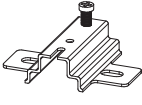
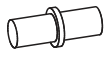
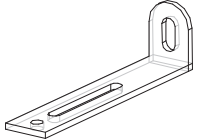

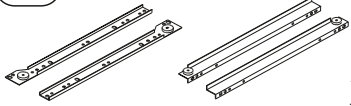

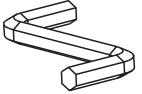


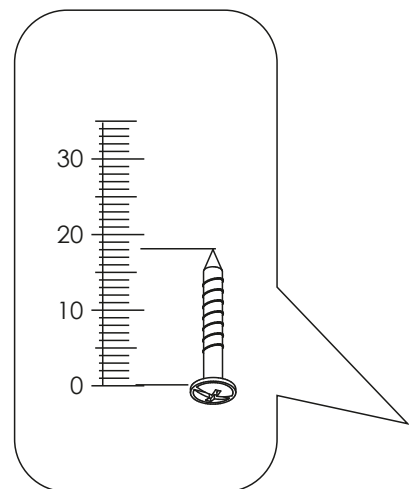
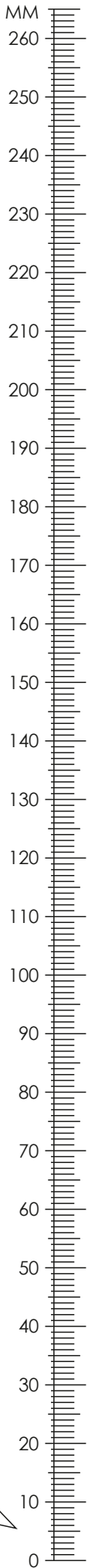
SPLIT 2T4L - KOMMODE

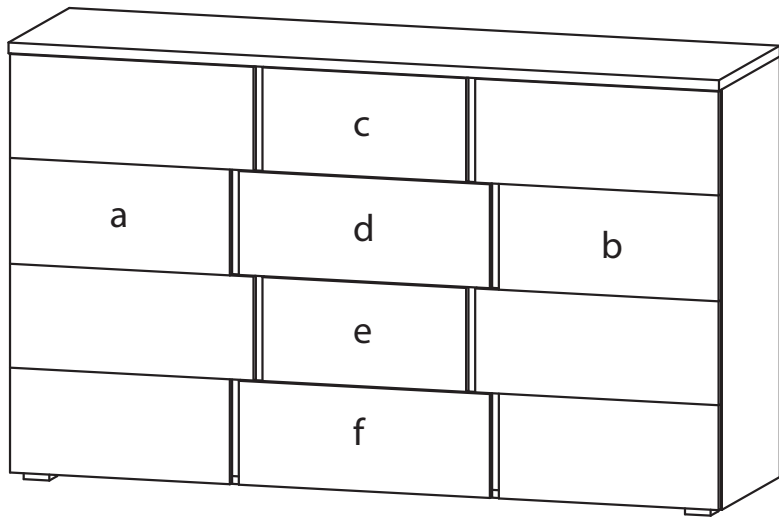


Ø8

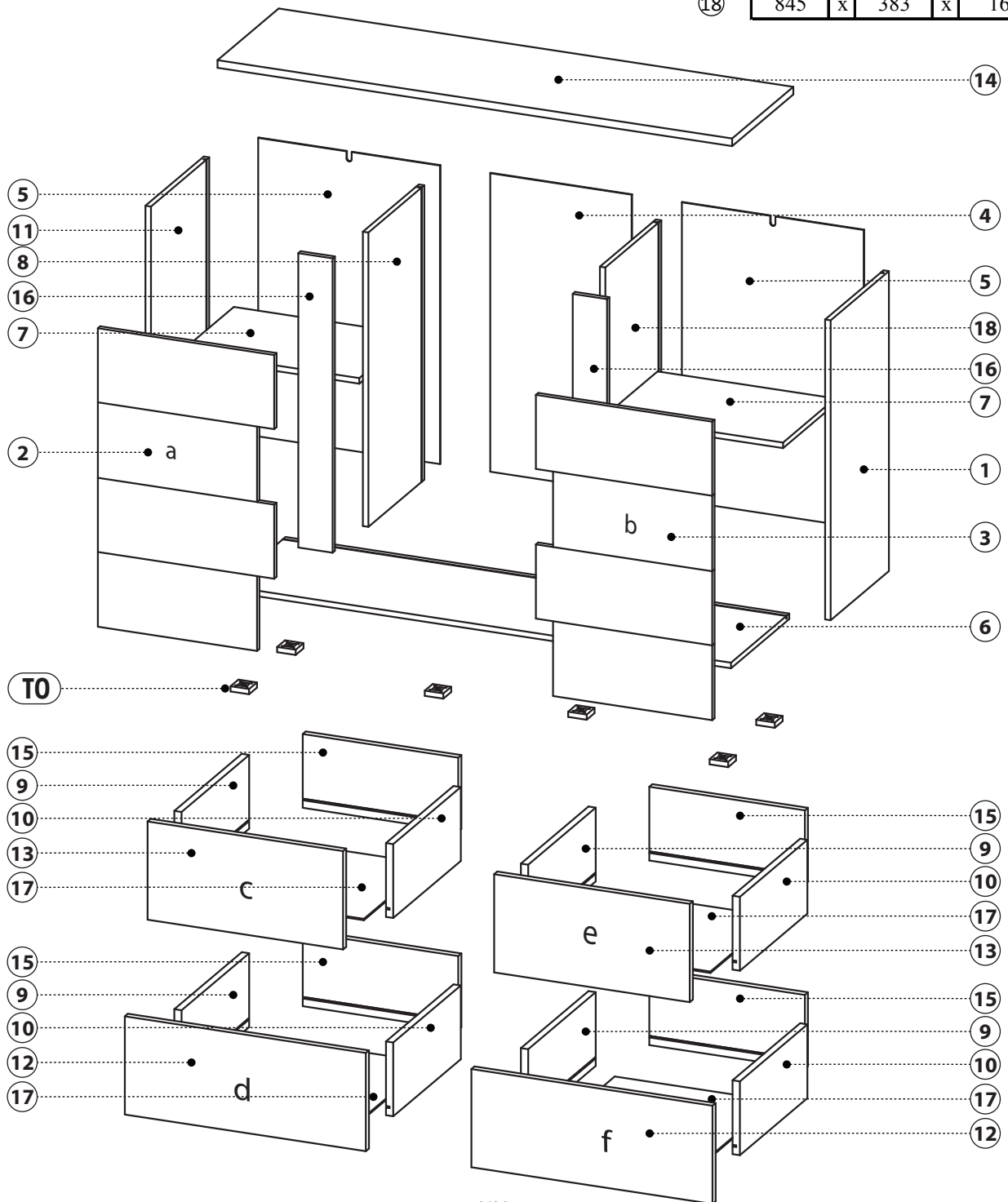


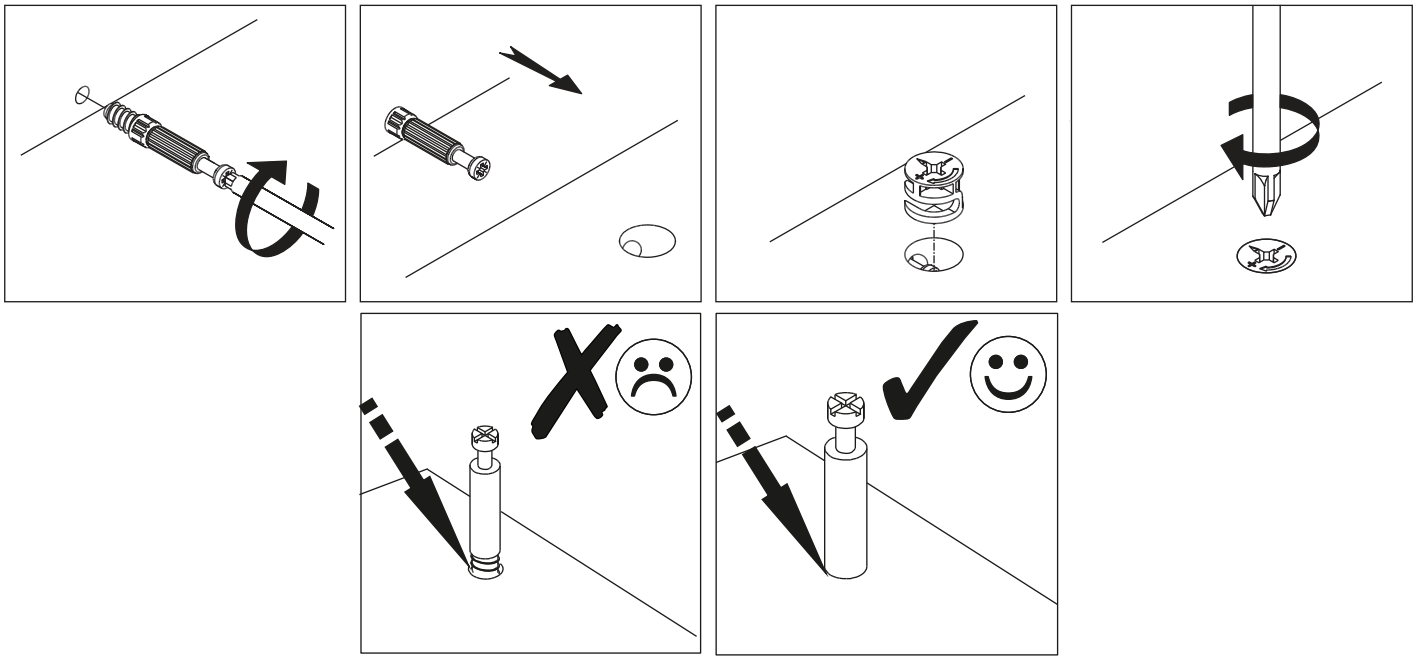
A0 $\varnothing 8 \times 32 \text{ mm}$  x56	B0  x16	B1 $6,4 \times 50 \text{ mm}$  x16
C0  x32	C1  x40	C2  x40
D0 $3 \times 15 \text{ mm}$  x86	D10 $4 \times 16 \text{ mm}$  x10	D11 $4 \times 25 \text{ mm}$  x24
D20 EURO $5 \times 13 \text{ mm}$  x26	D30 $6,3 \times 14 \text{ mm}$  x8	E0 $5 \times 70 \text{ mm}$ $8 \times 50 \text{ mm}$  x2
F0  x62	G1A  x4	G1B  x4
H0  x8	I1  x2	T0  x6
N2 L-350  x4	U0  x12	Z  x1



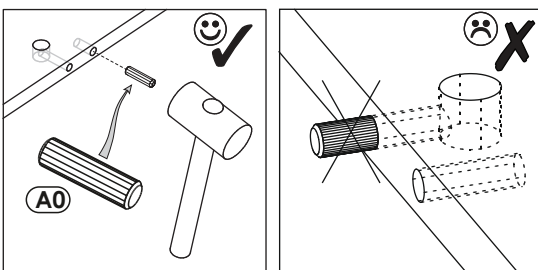
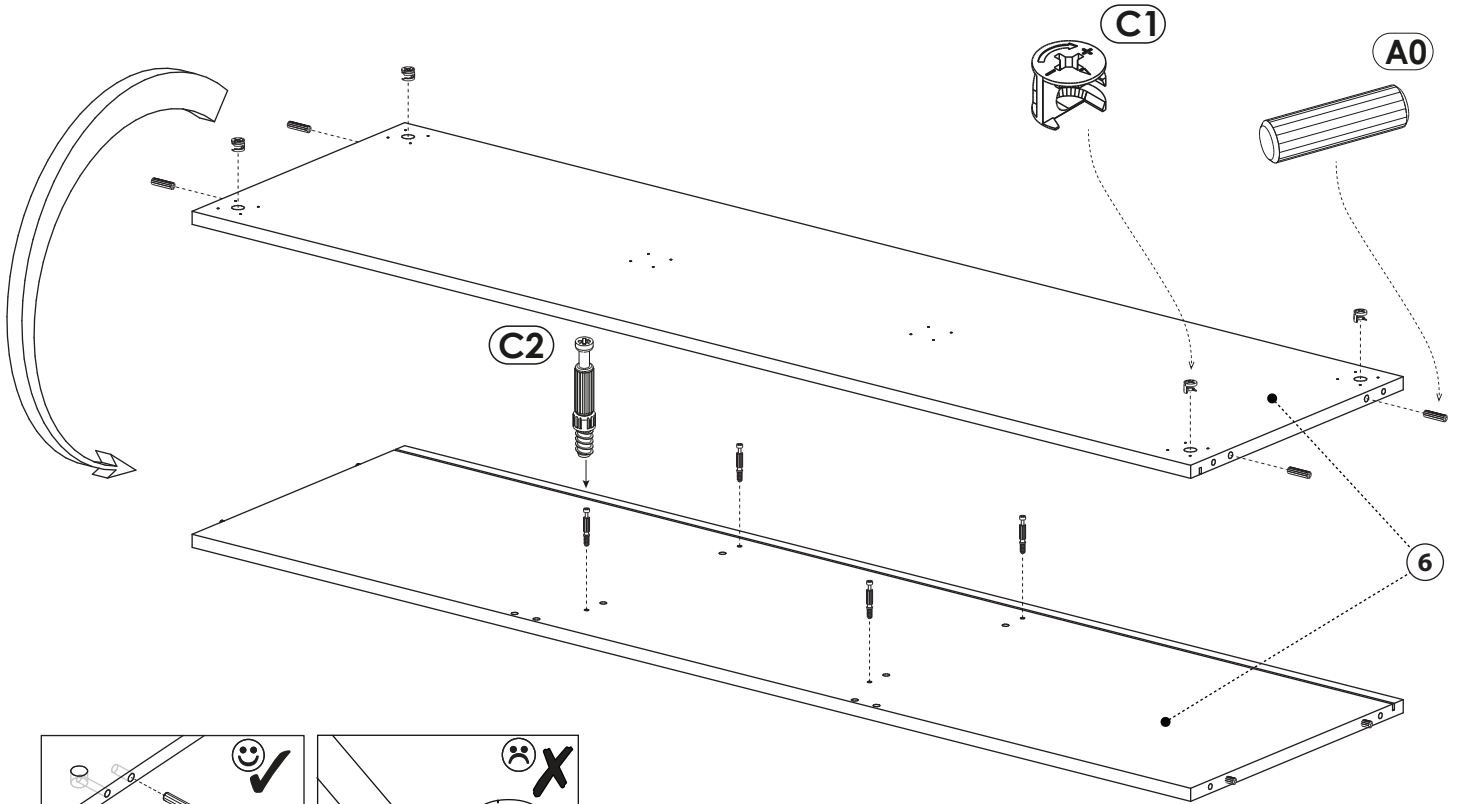
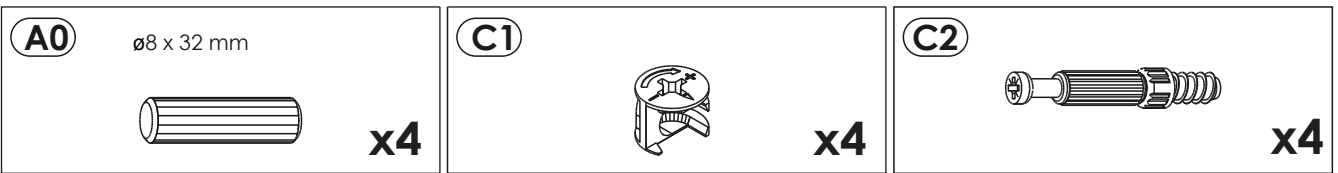


①	862	x	400	x	16	1	1/3
②	858	x	514	x	16	1	2/3
③	858	x	514	x	16	1	2/3
④	859	x	407	x	3	1	2/3
⑤	859	x	528	x	3	2	2/3
⑥	1468	x	400	x	16	1	3/3
⑦	517	x	363	x	16	2	3/3
⑧	845	x	383	x	16	1	1/3
⑨	350	x	160	x	16	4	1/3
⑩	350	x	160	x	16	4	1/3
⑪	862	x	400	x	16	1	1/3
⑫	213	x	430	x	16	2	3/3
⑬	213	x	530	x	16	2	3/3
⑭	1501	x	420	x	22	1	3/3
⑮	342	x	160	x	16	4	2/3
⑯	845	x	100	x	16	2	3/3
⑰	347	x	355	x	3	4	1/3
⑱	845	x	383	x	16	1	1/3

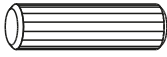



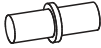
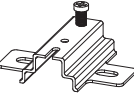


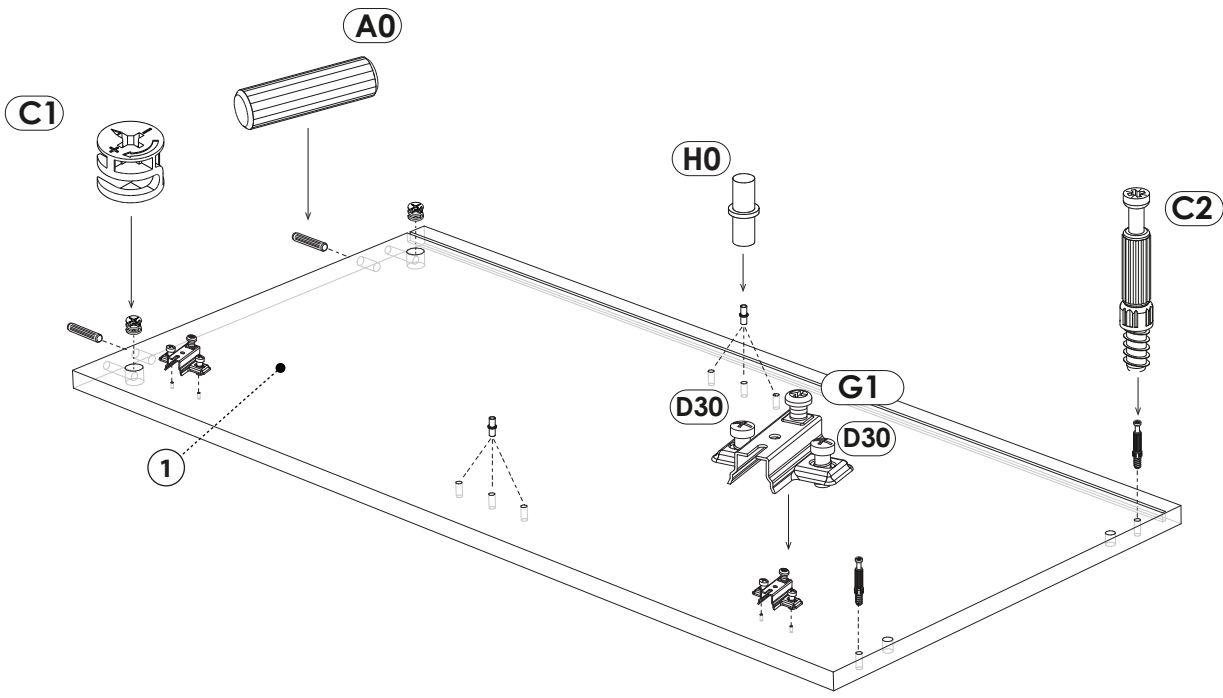


1 ▶

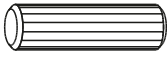



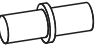
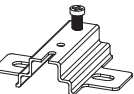


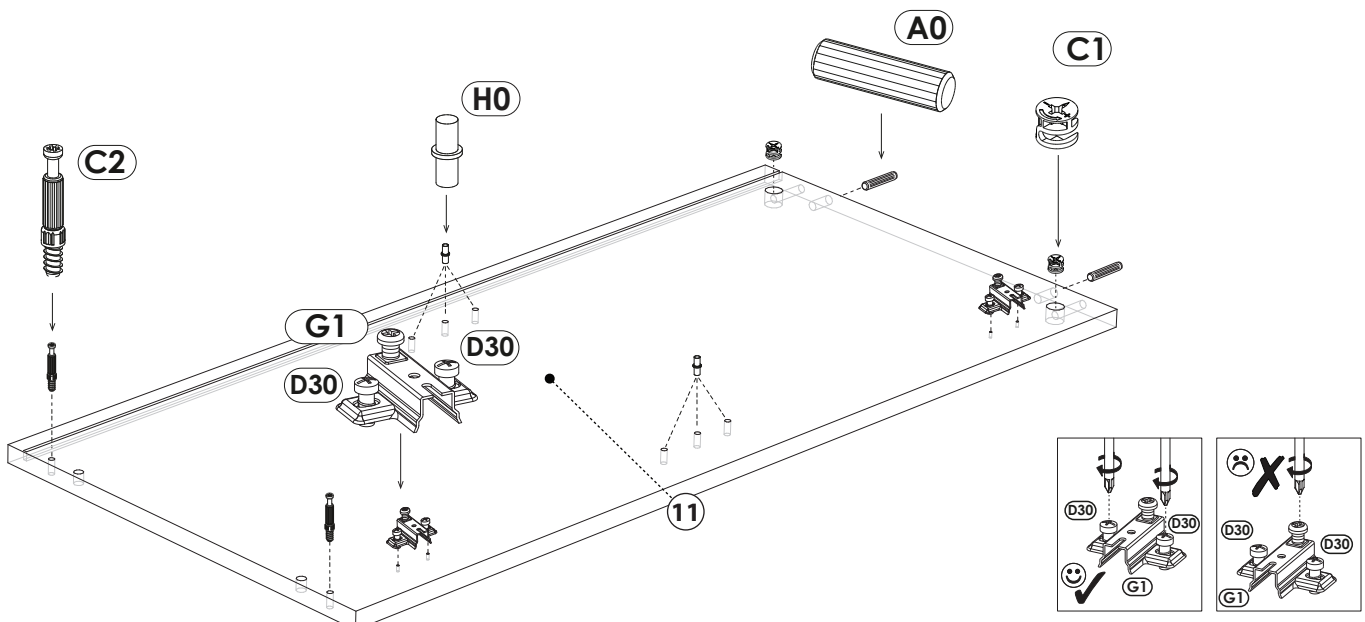
2 ▶

A0 $\varnothing 8 \times 32 \text{ mm}$  x2	C1  x2	C2  x2
D30 $6,3 \times 14 \text{ mm}$  x4	H0  x2	G1  x2

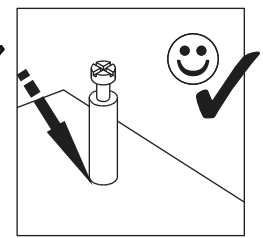
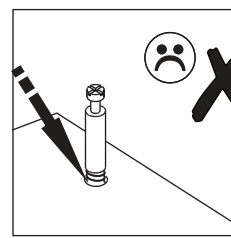
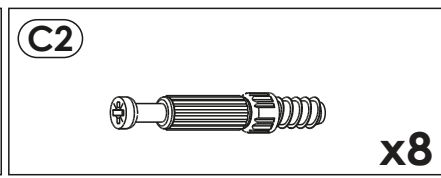
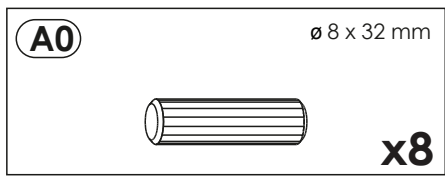


3 ▶

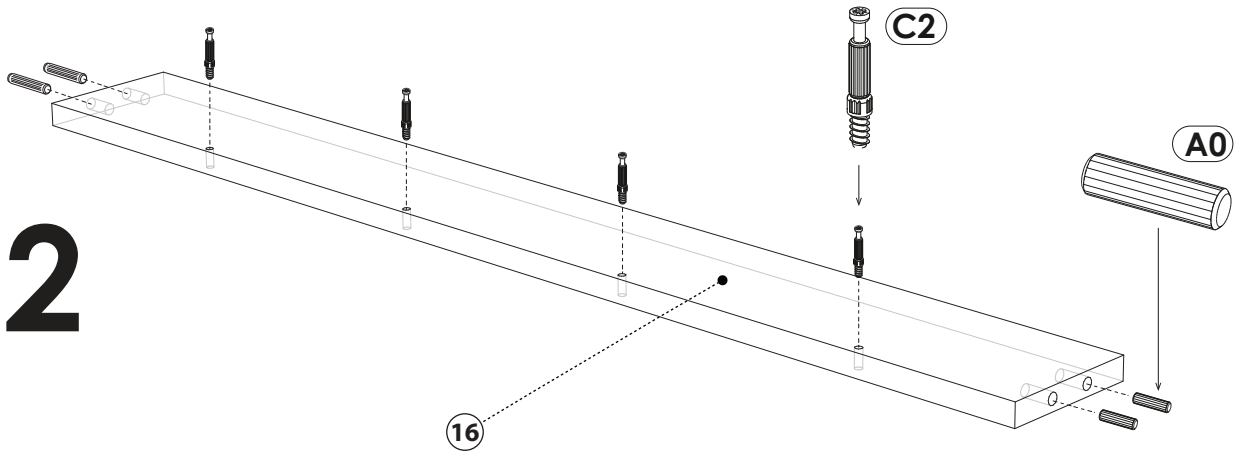
A0 $\varnothing 8 \times 32 \text{ mm}$  x2	C1  x2	C2  x2
D30 $6,3 \times 14 \text{ mm}$  x4	H0  x2	G1  x2



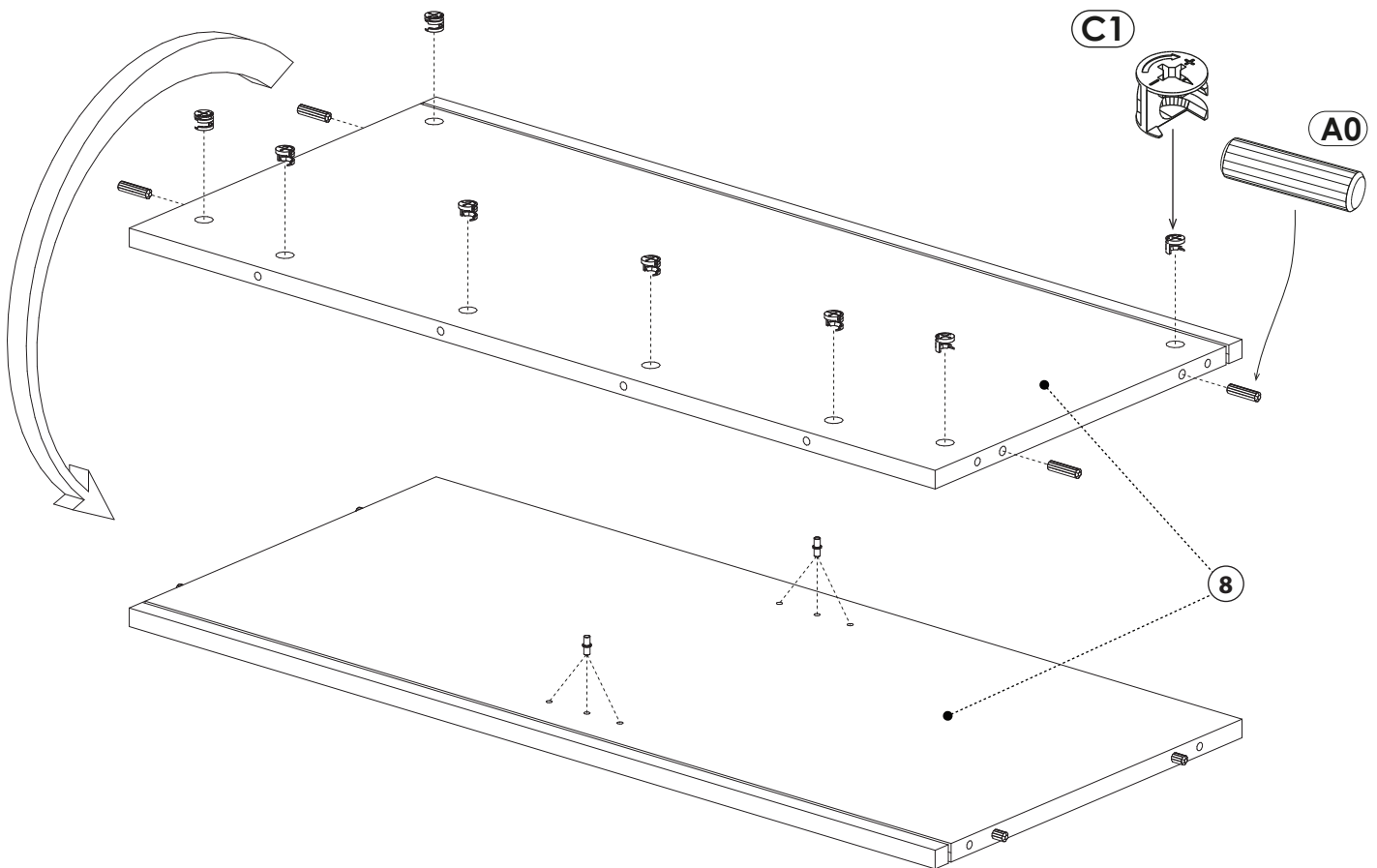
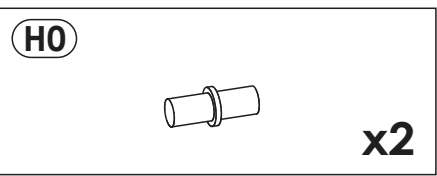
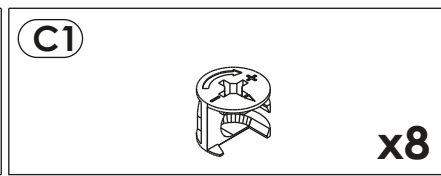
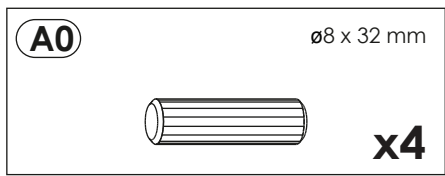
4 ▶





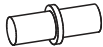
x2

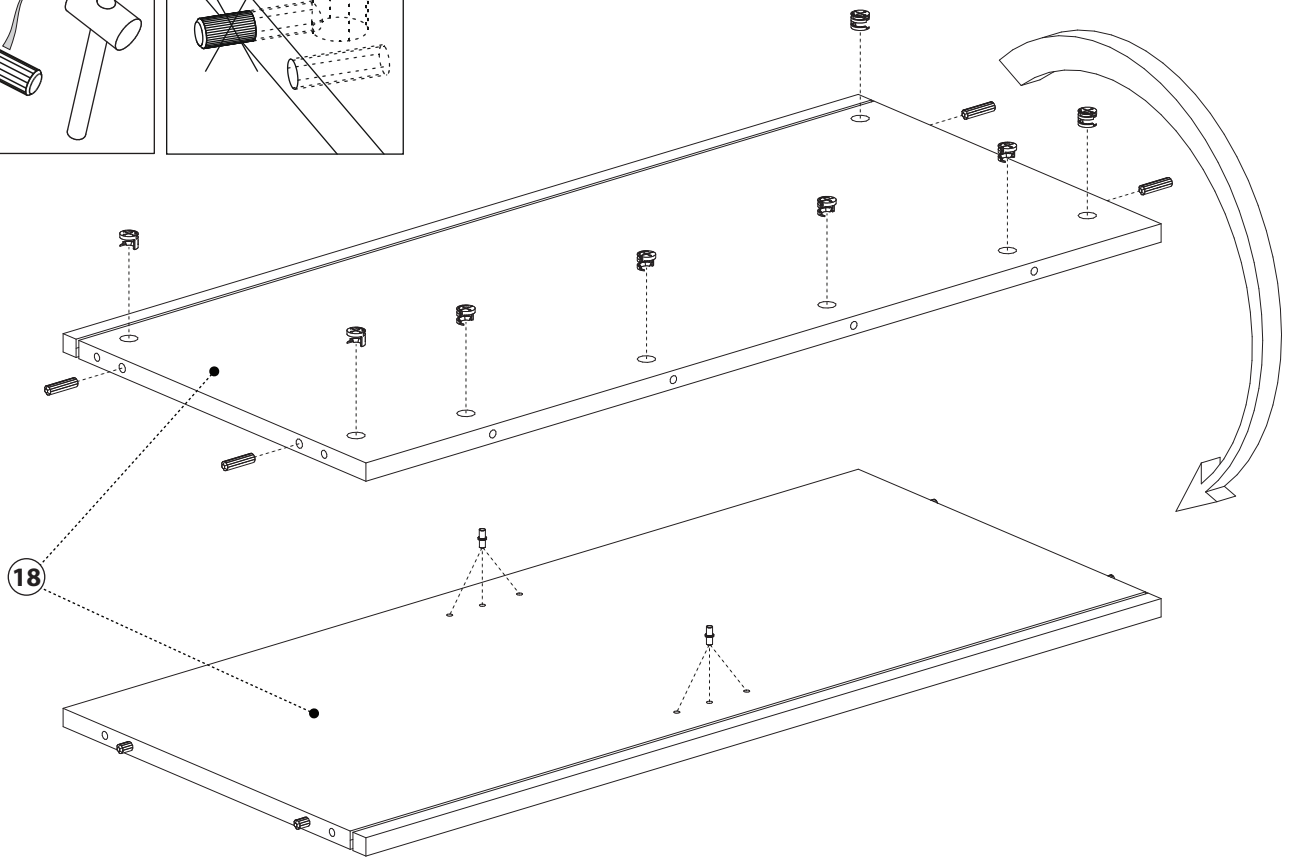
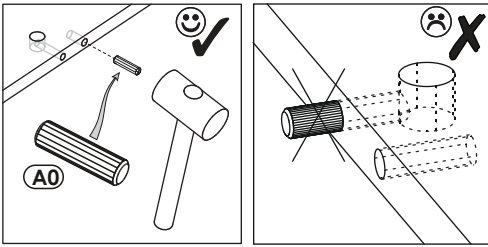


5 ▶



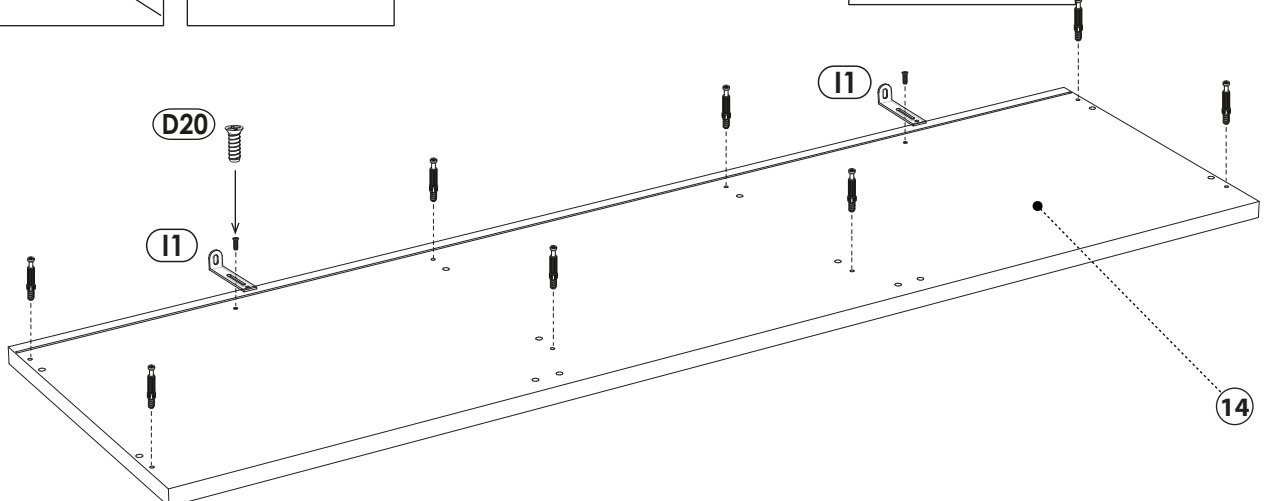
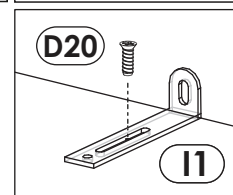
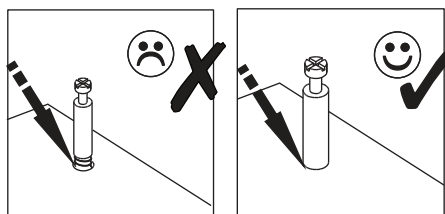
6 ▶

<p>A0 $\varnothing 8 \times 32 \text{ mm}$</p>  <p>x4</p>	<p>C1</p>  <p>x8</p>	<p>H0</p>  <p>x2</p>
---	---	---

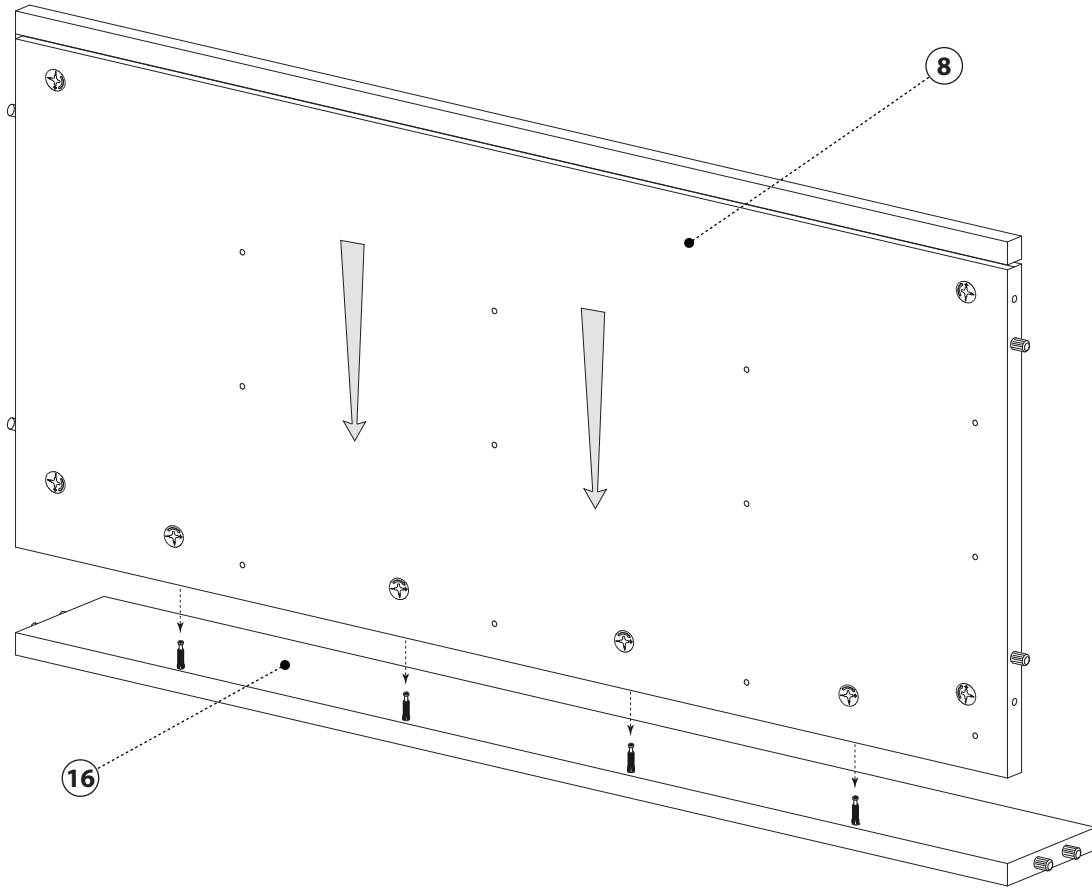
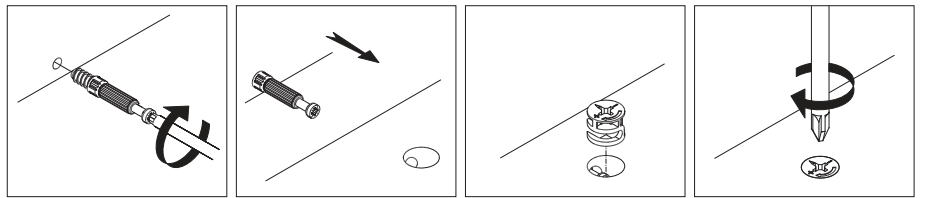


7 ▶

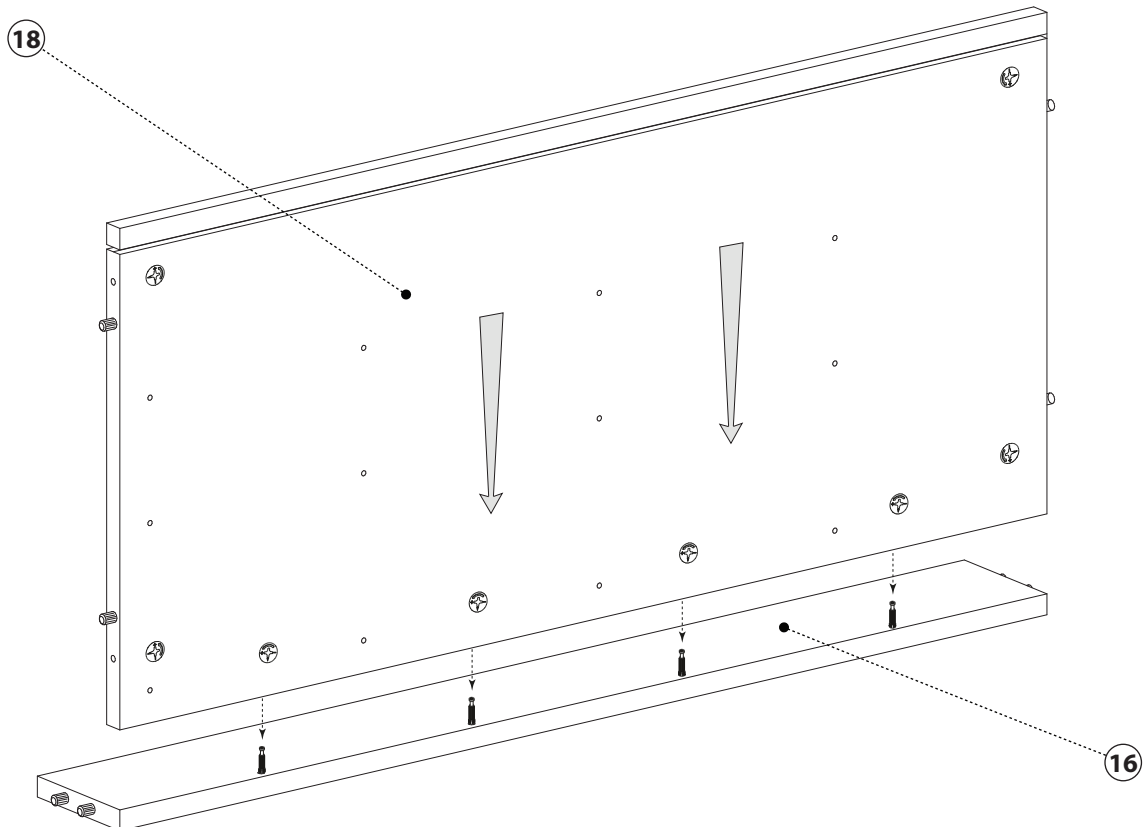
<p>C2</p>  <p>x8</p>	<p>D20 EURO 5 x 13 mm</p>  <p>x2</p>	<p>I1</p>  <p>x2</p>
---	---	---




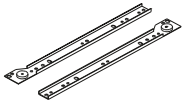
8 ▶

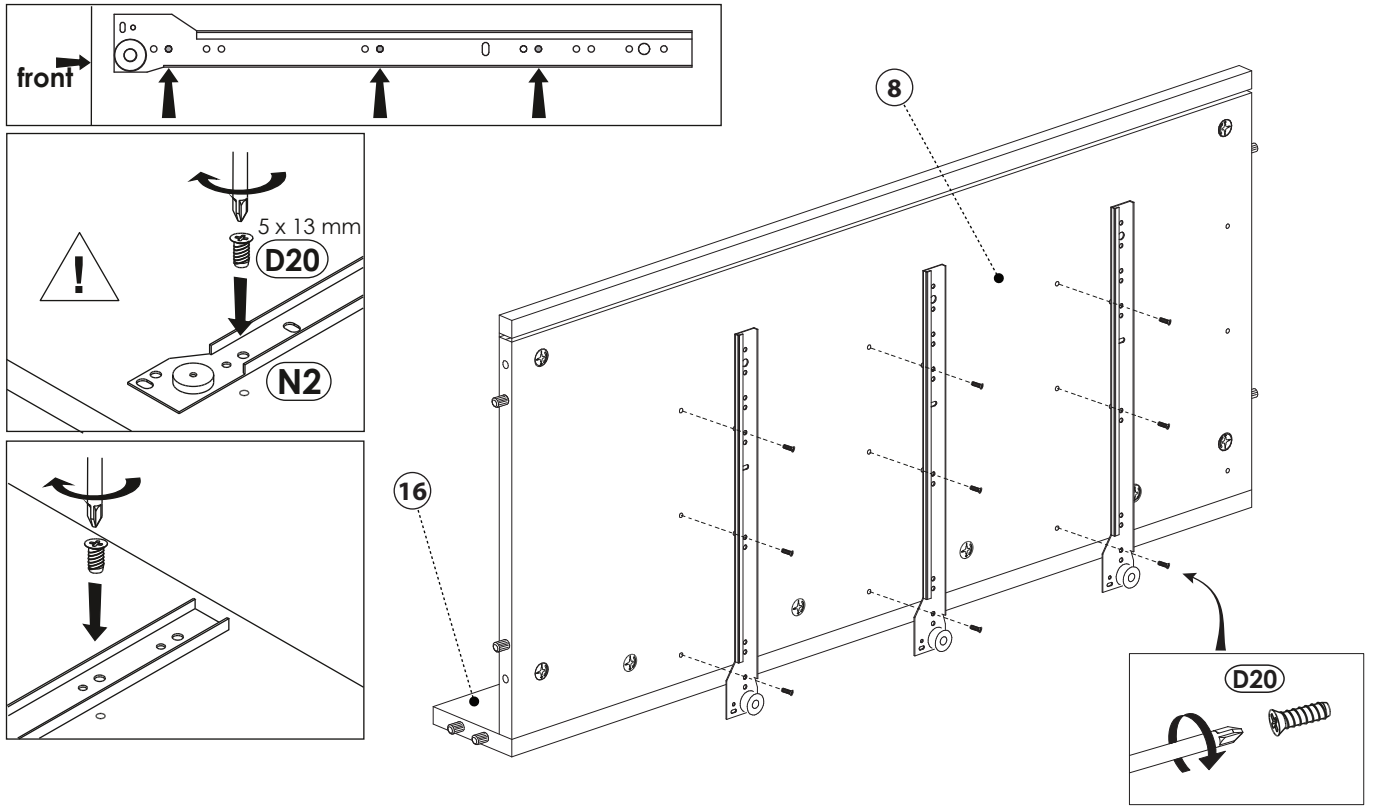


9 ▶


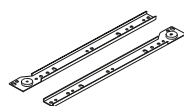


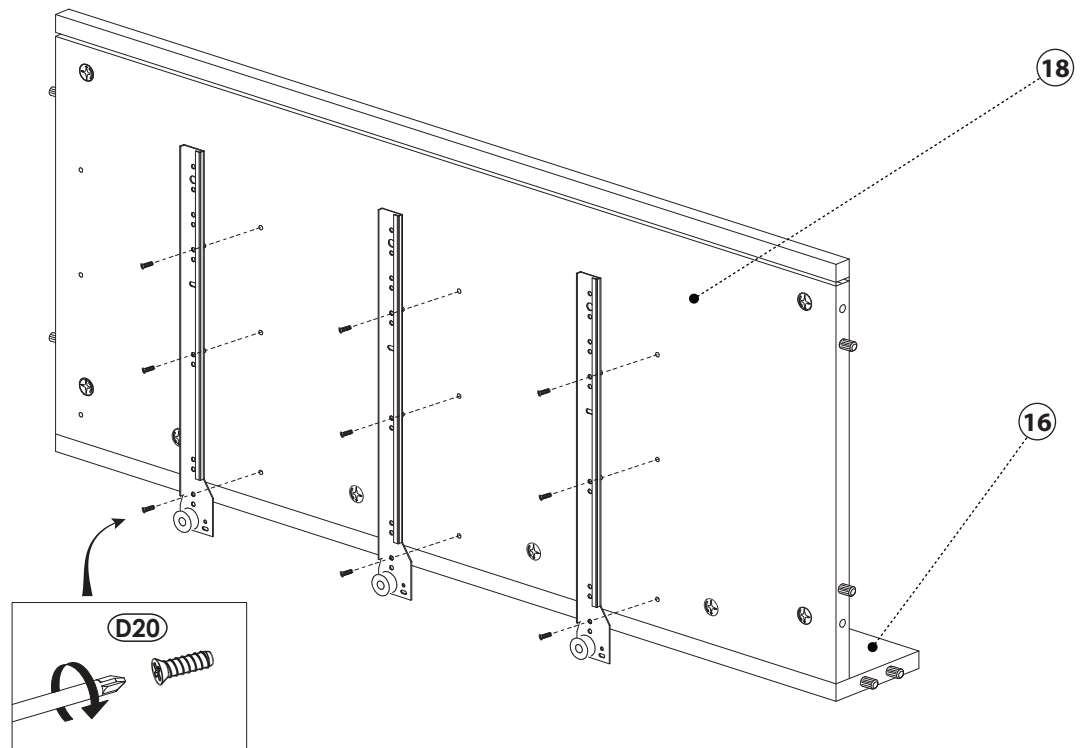
10 ▶

D20  EURO 5 x 13 mm x9	N2  L-350 x3
--	--

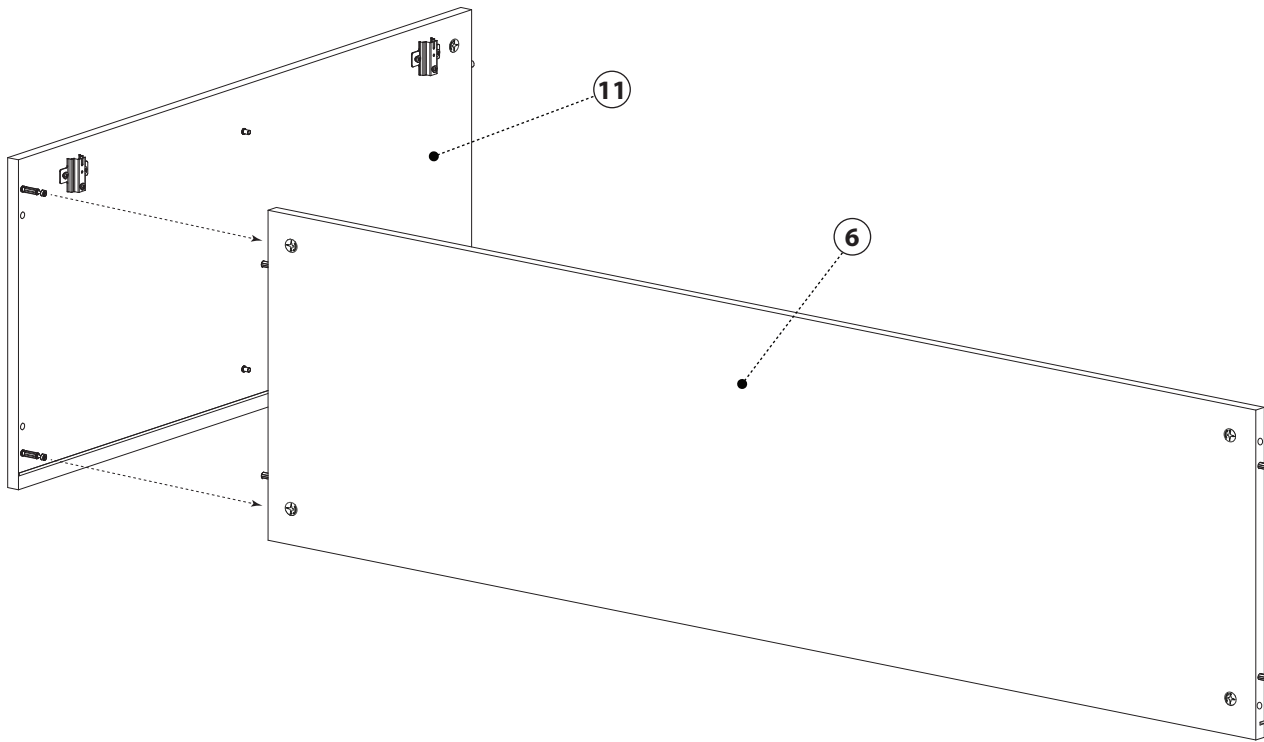
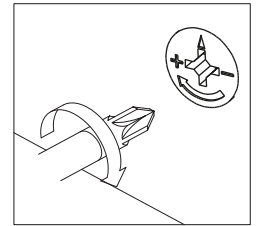


11 ▶

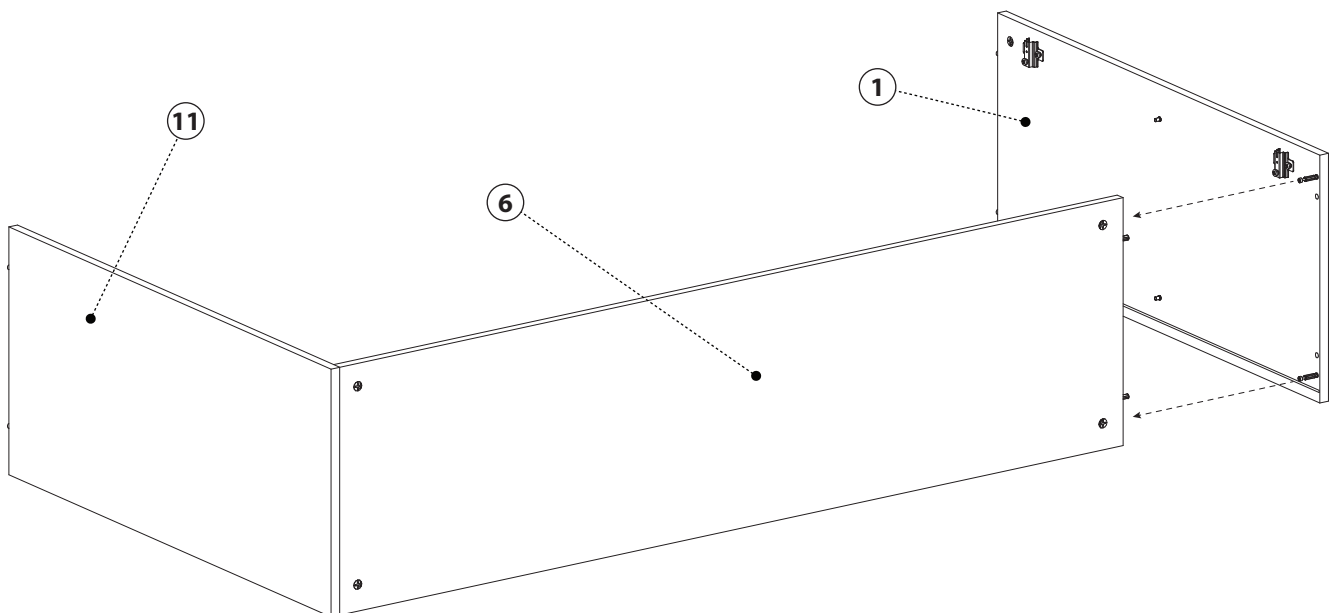
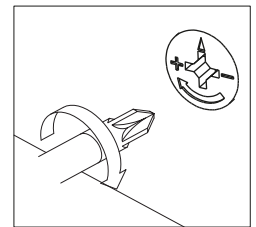
D20  EURO 5 x 13 mm x9	N2  L-350 x3
--	--



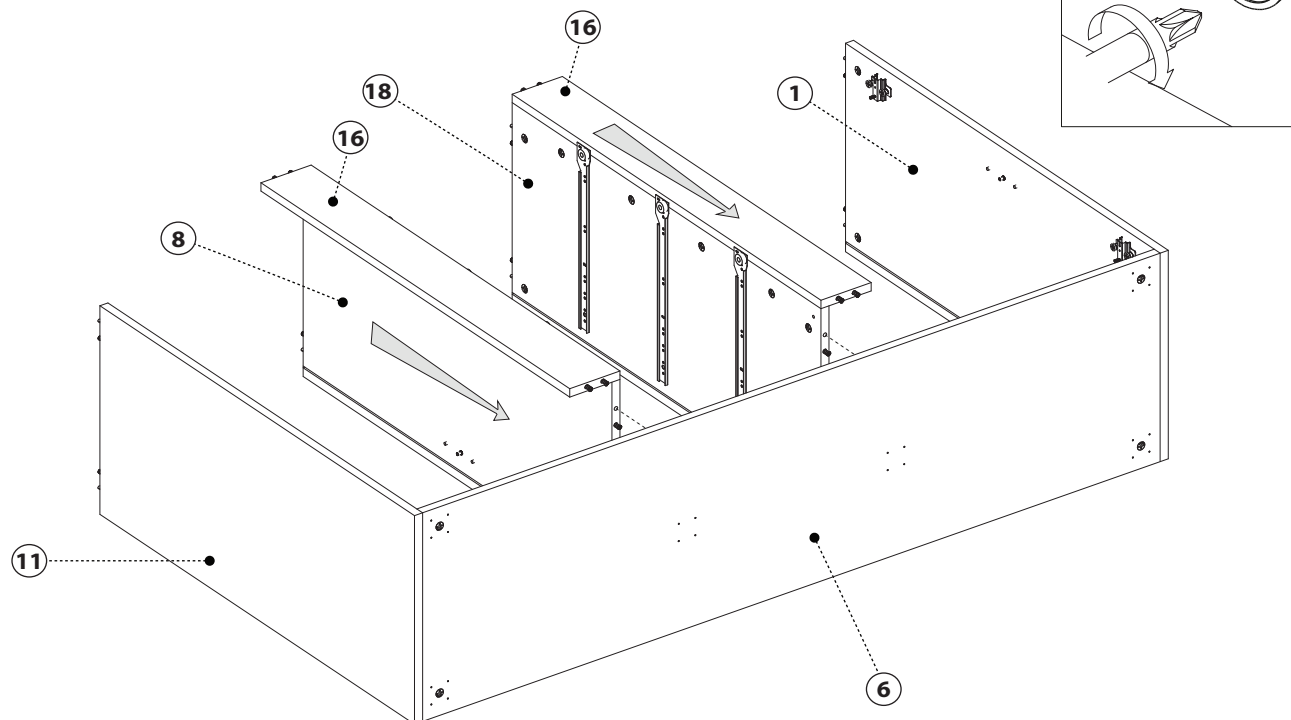
12 ▶



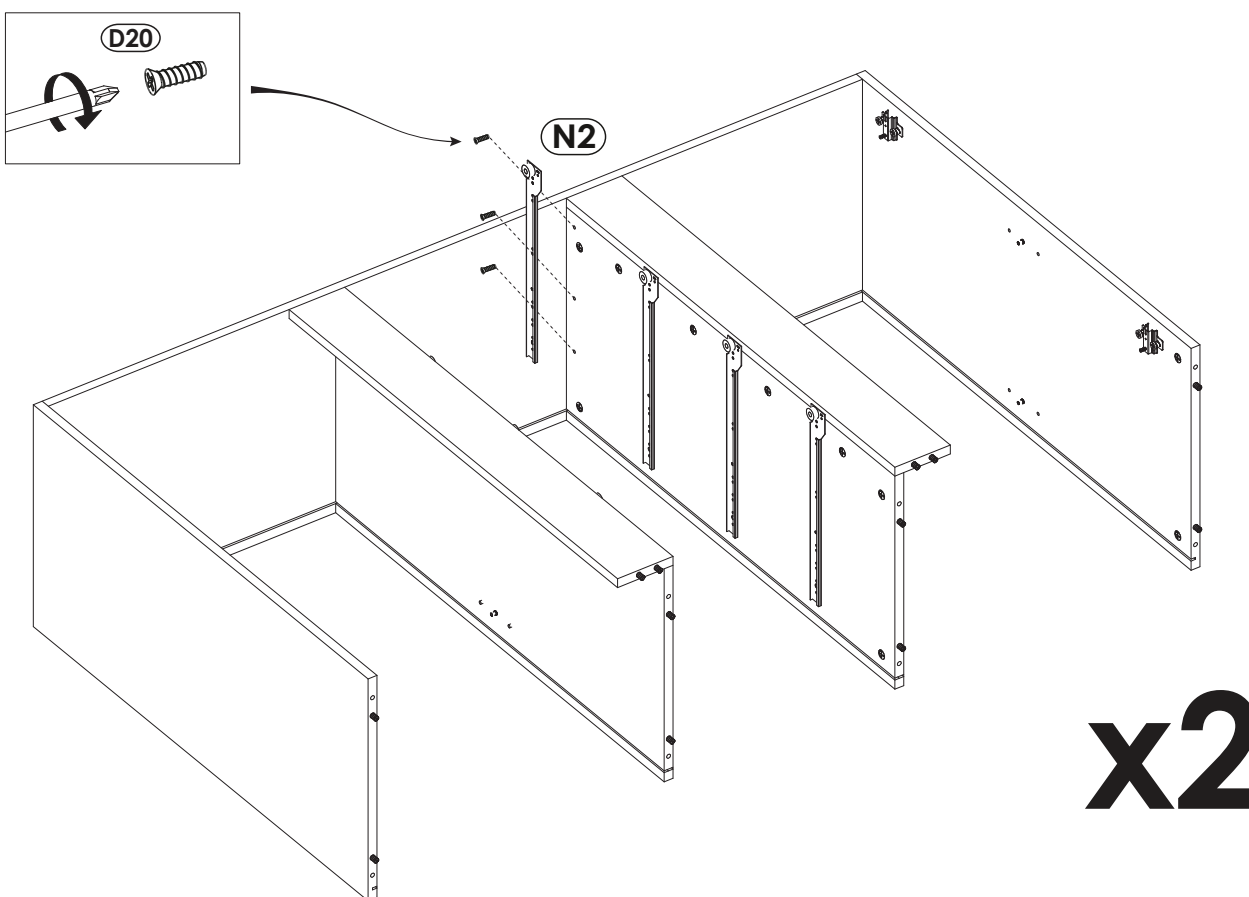
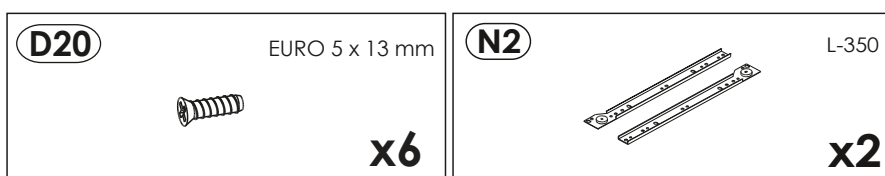
13 ▶

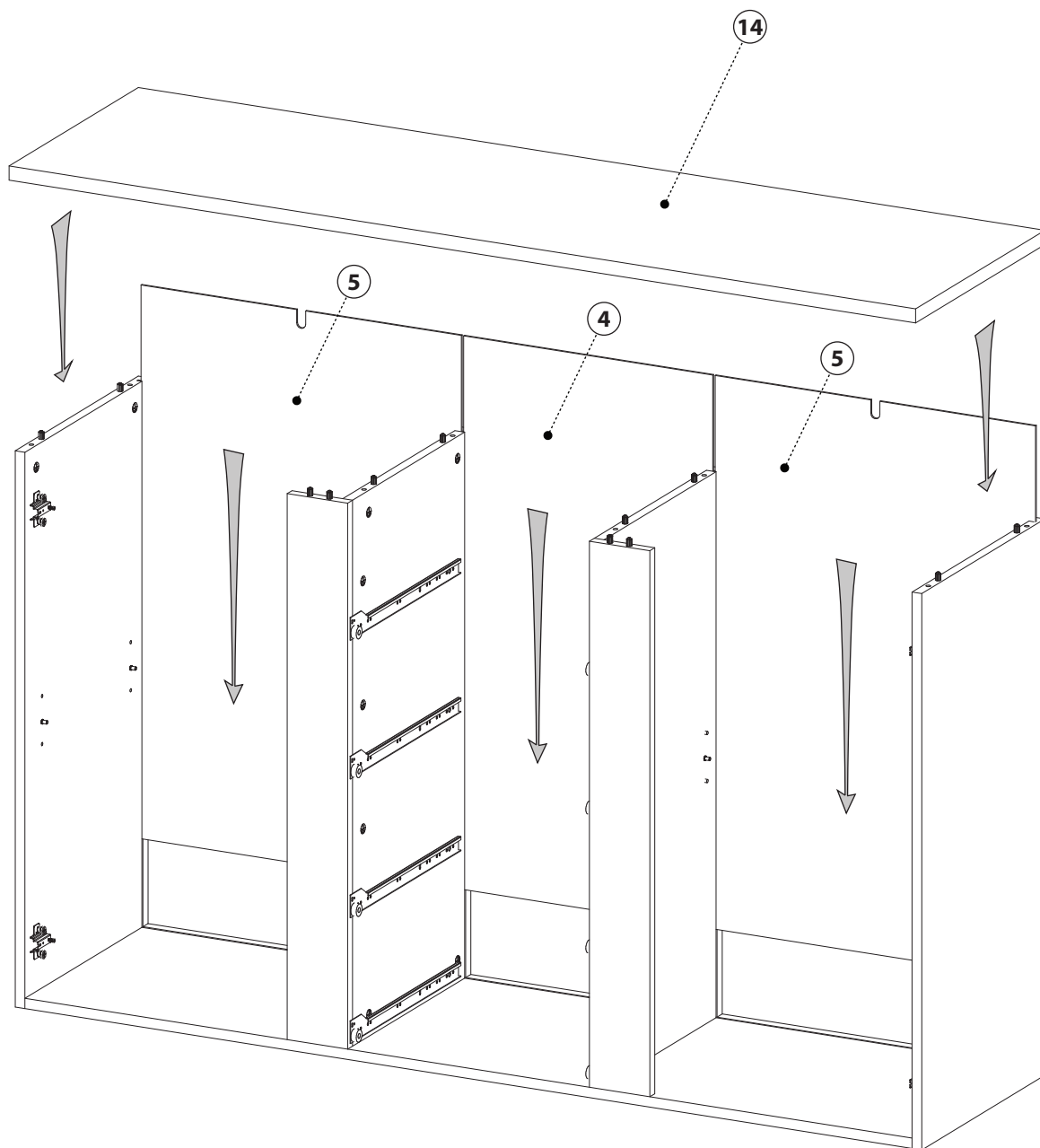


14 ▶








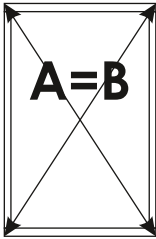

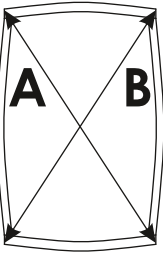
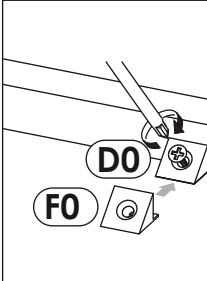
15 ▶




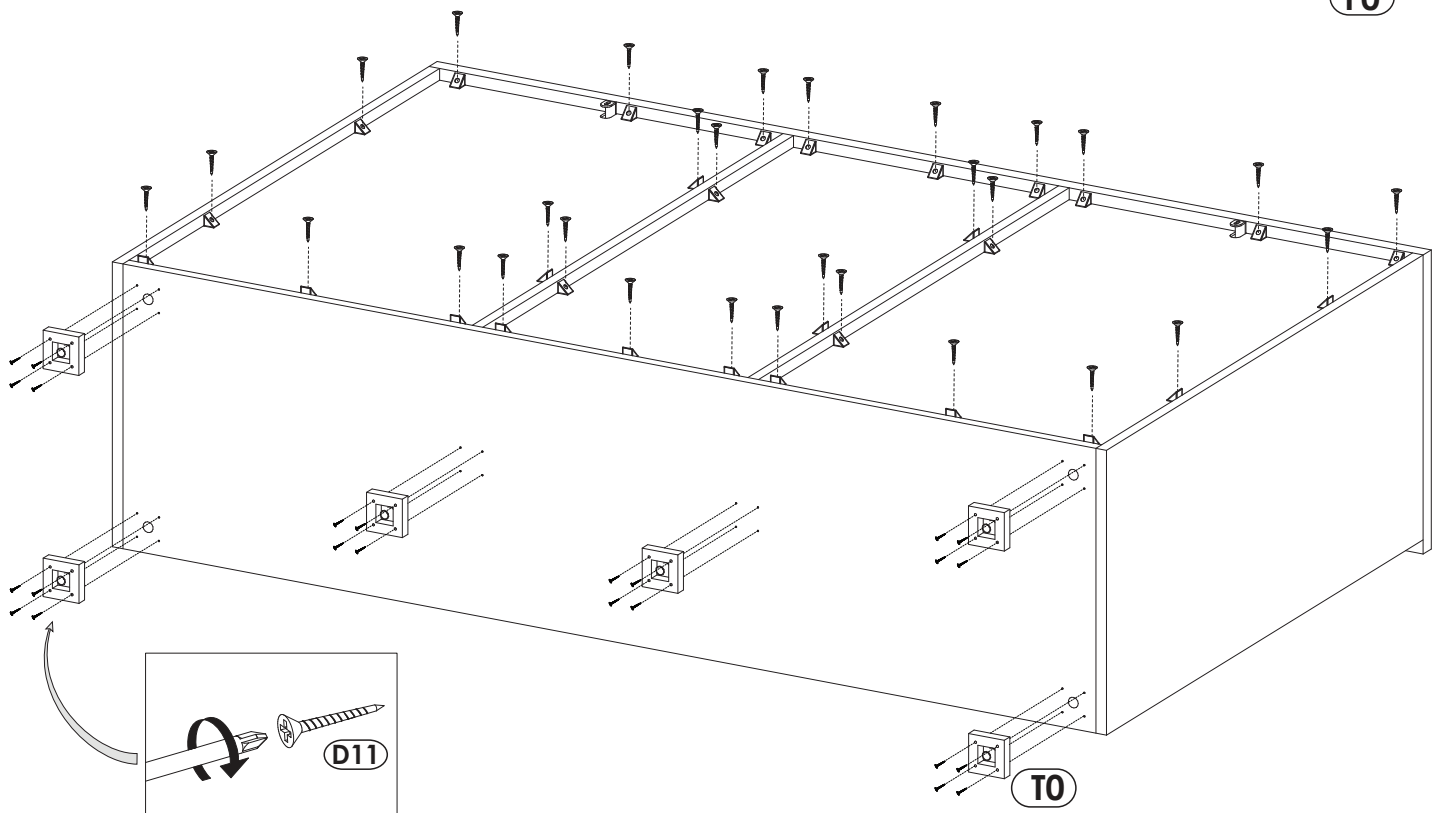


17 ▶

D0  3 x 15 mm x30	D11  4 x 25 mm x24	F0  x30
T0  x6		

  A=B	  A B	 D0 F0
---	---	--

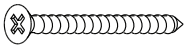


D0

F0

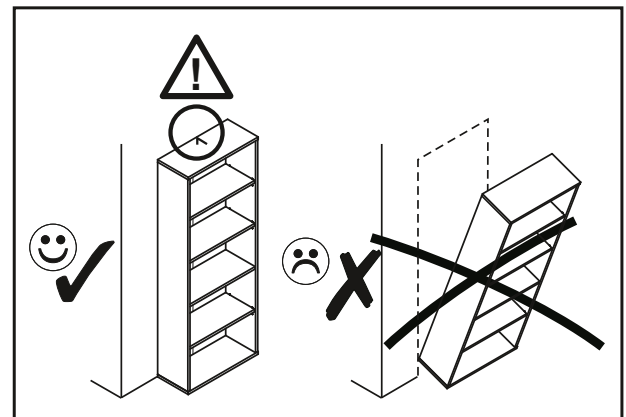
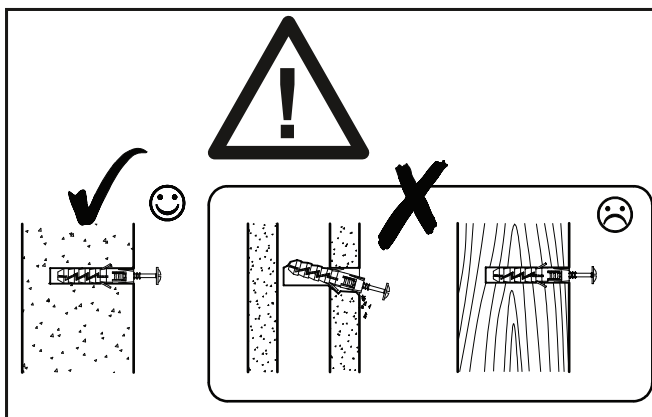
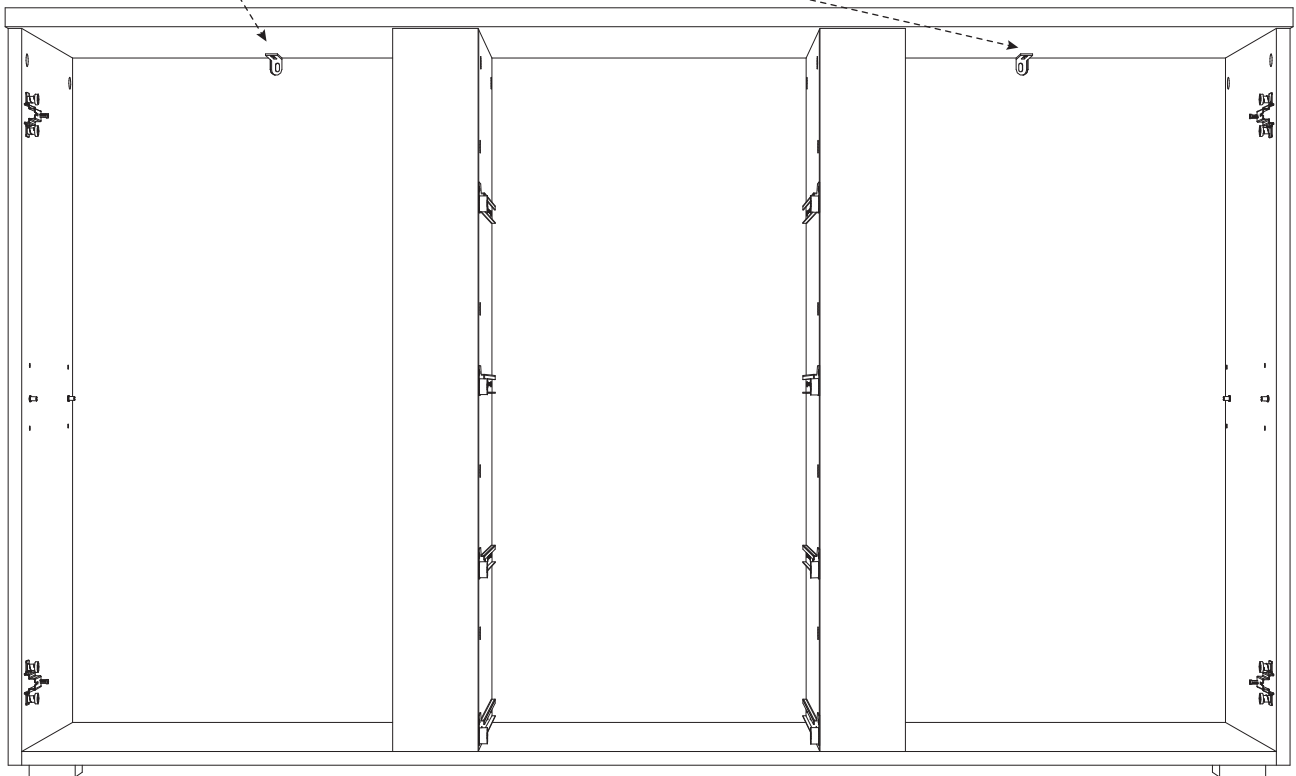
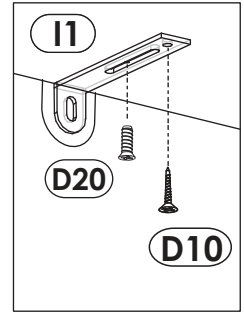
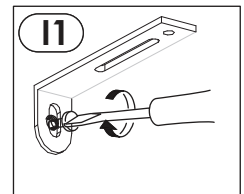
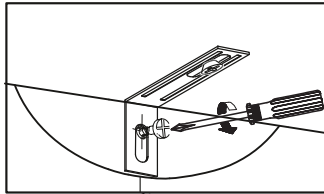
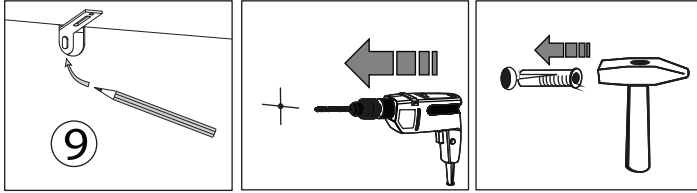


D11



T0

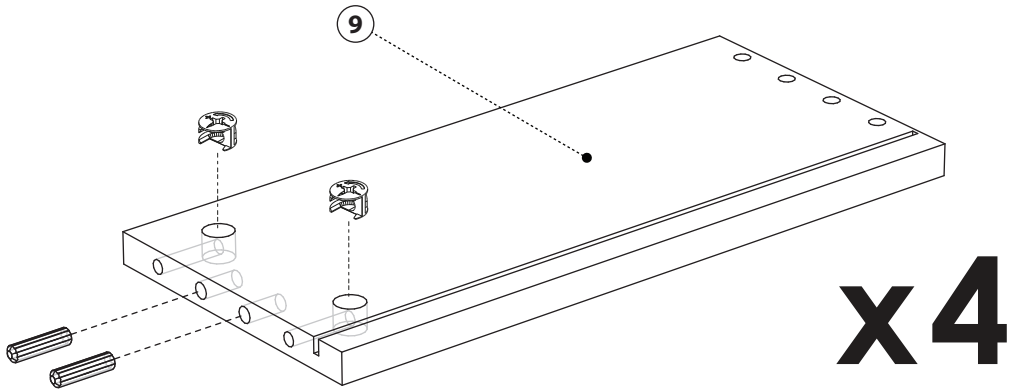
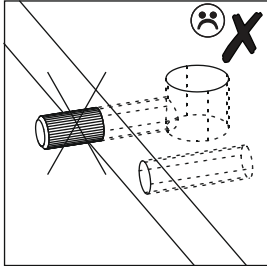
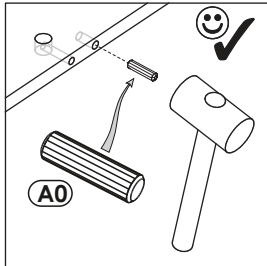
18 ▶

E0  5 x 70 mm  8 x 50 mm x2	D10  4 x 16 mm x2
--	---





19 ▶

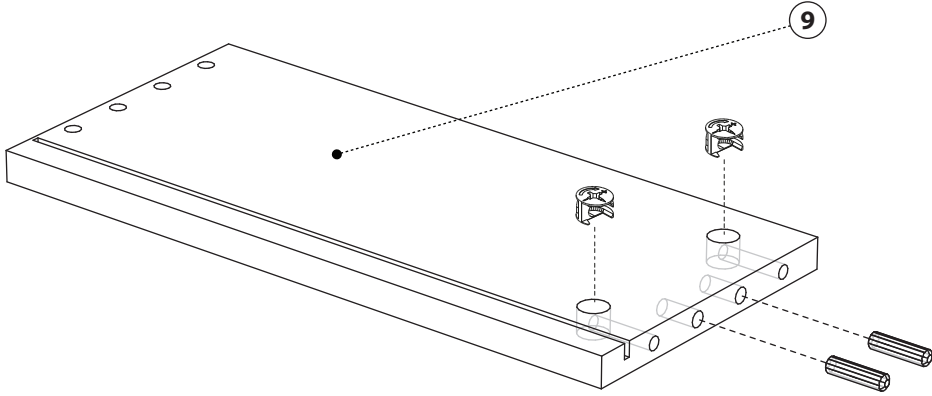
<p>A0 $\varnothing 8 \times 32 \text{ mm}$</p>  <p>x8</p>	<p>C1</p>  <p>x8</p>
--	---




20 ▶

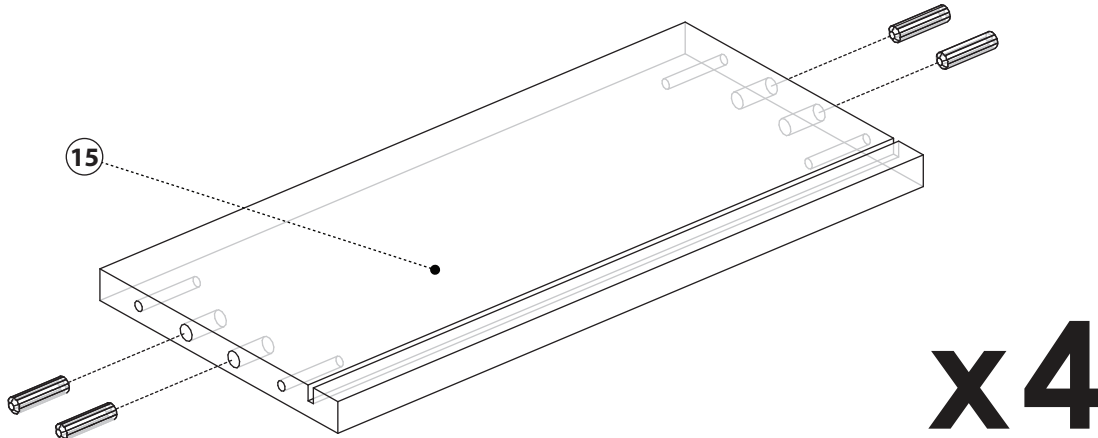
<p>A0 $\varnothing 8 \times 32 \text{ mm}$</p>  <p>x8</p>	<p>C1</p>  <p>x8</p>
--	---

x4

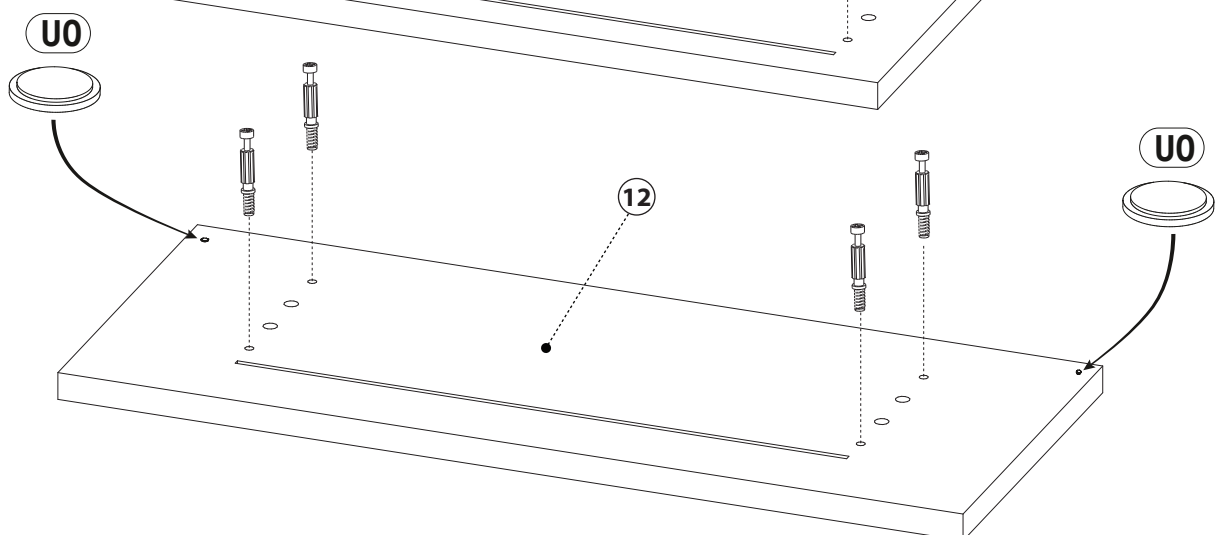
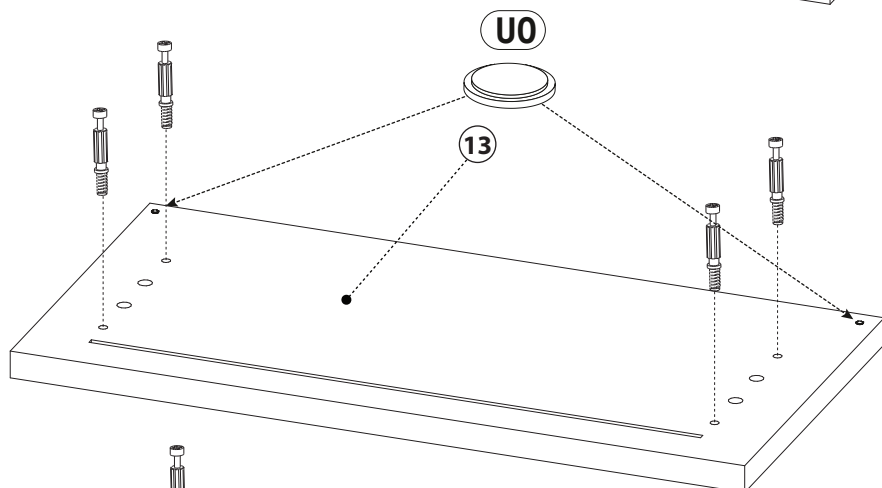
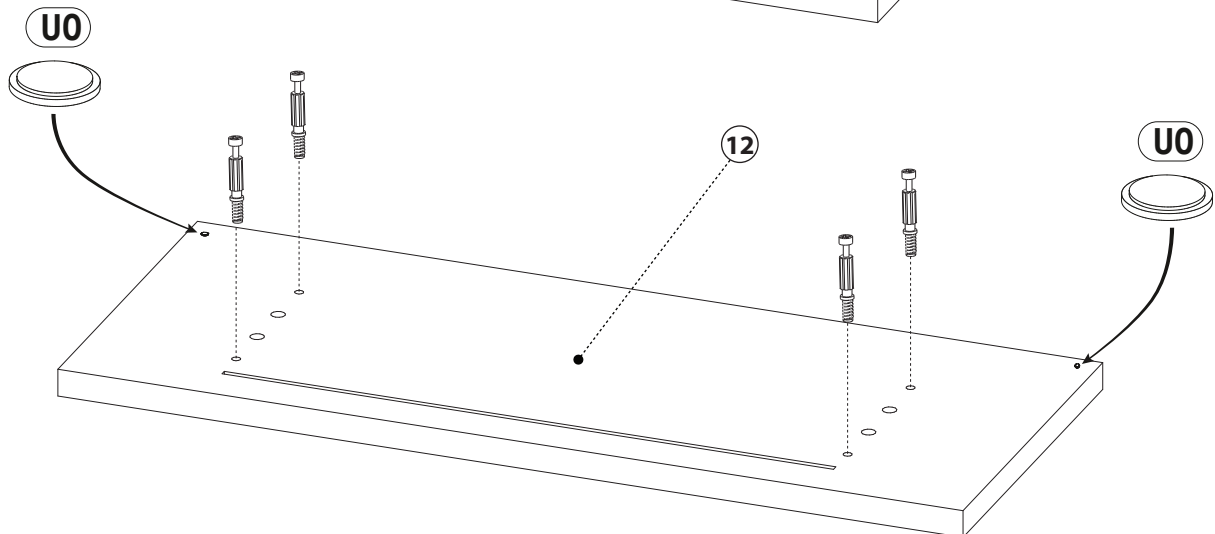
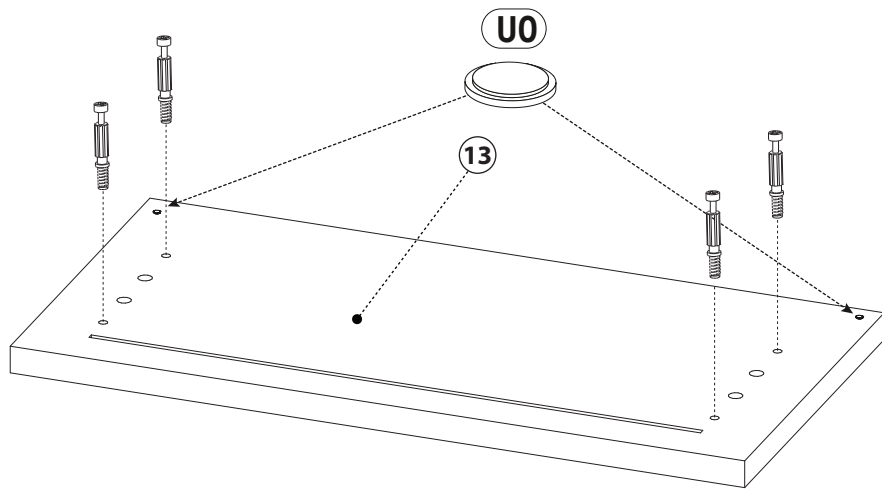
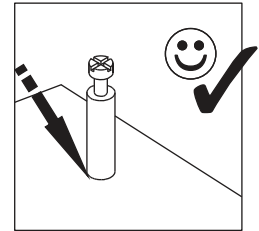
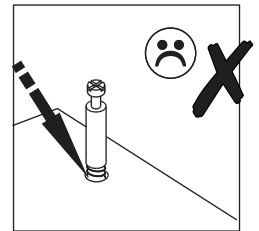
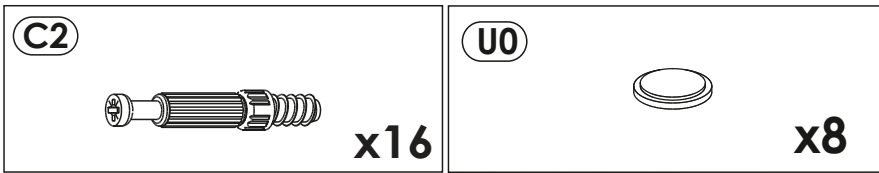


21 ▶

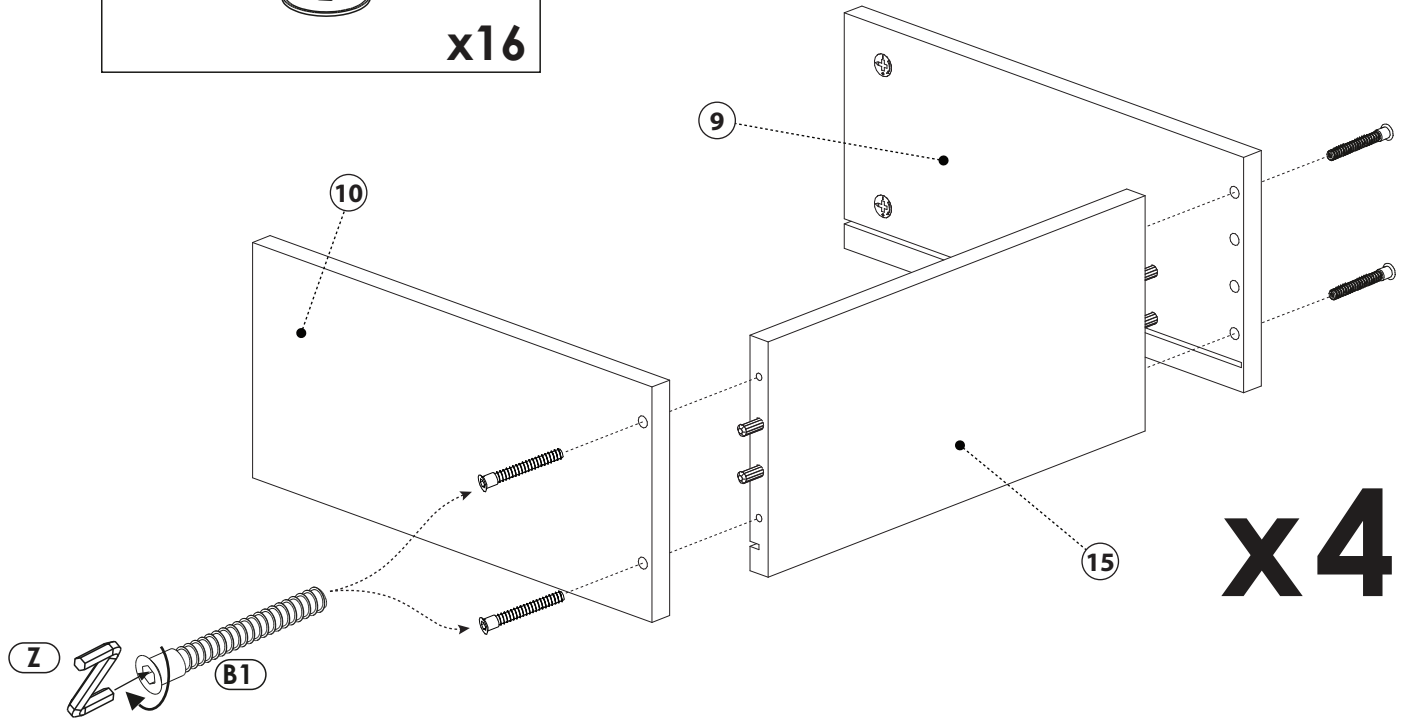
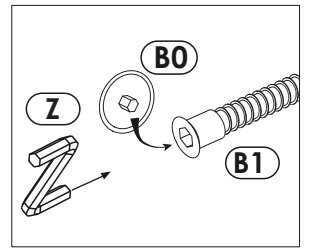
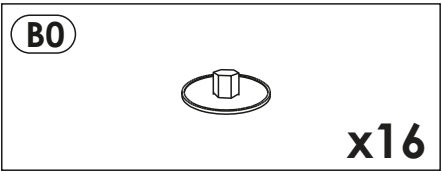
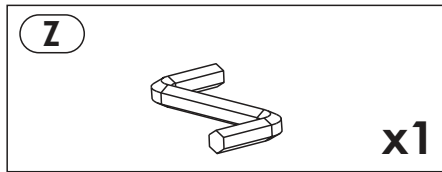
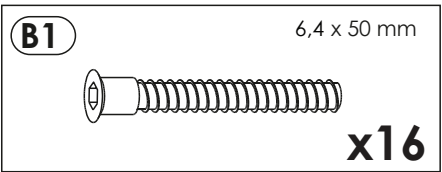
<p>A0 $\varnothing 8 \times 32 \text{ mm}$</p>  <p>x16</p>



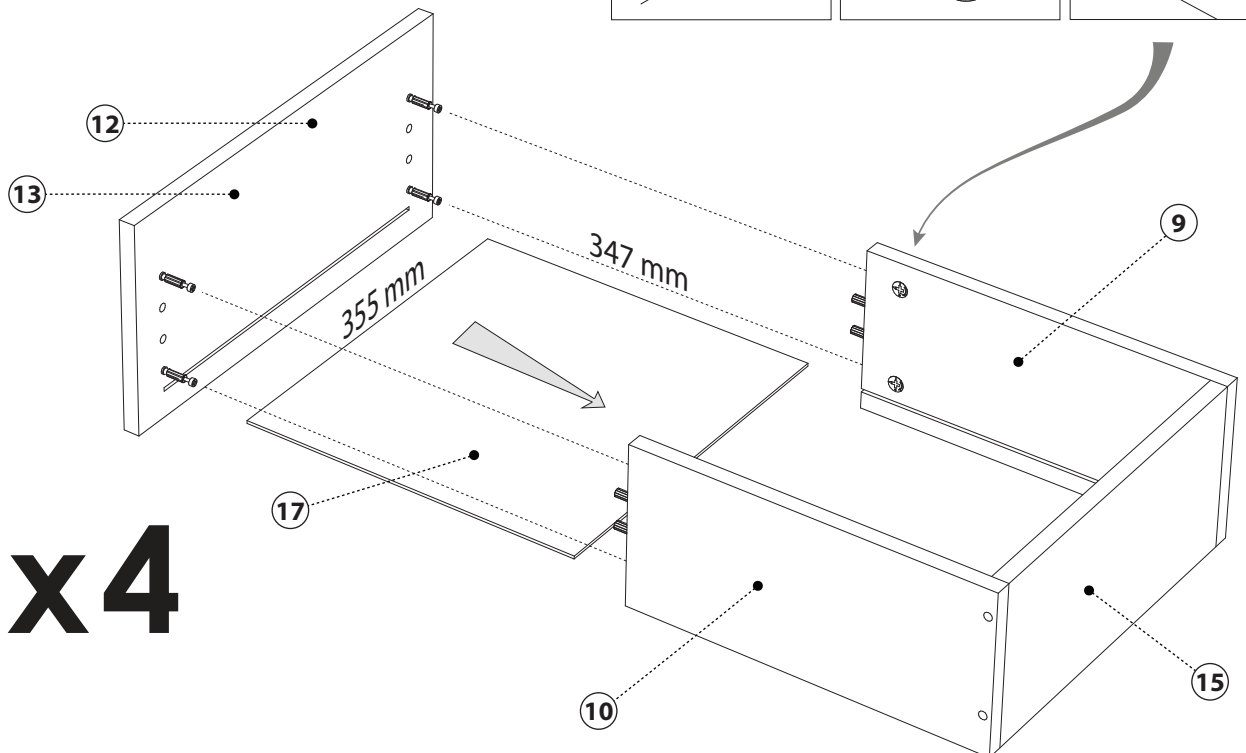
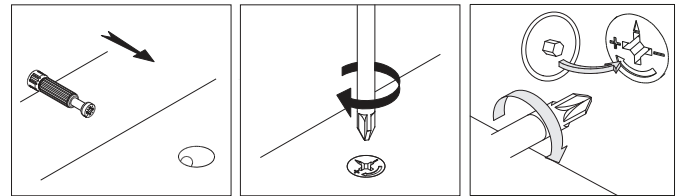
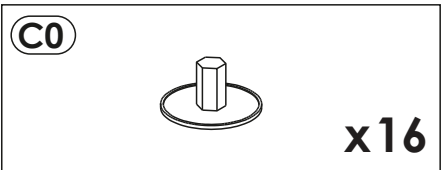
22 ▶



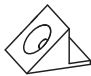

23 ▶



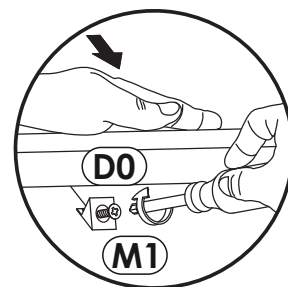
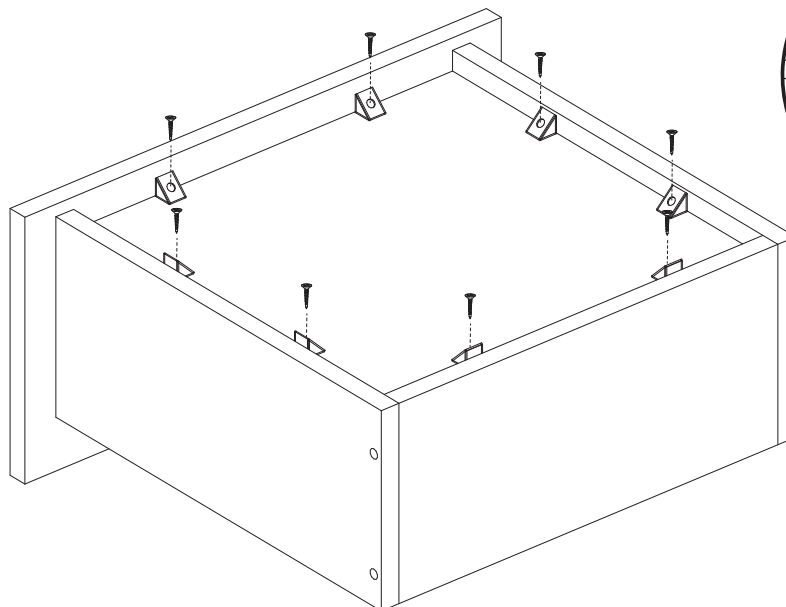
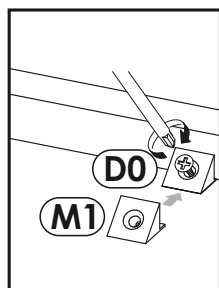
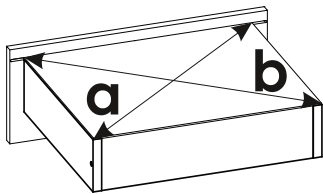
24 ▶



25 ▶

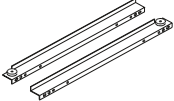

(D0)	3 x 15 mm	(F0)	
	x32	x32	

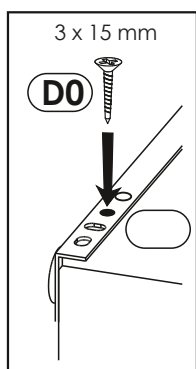
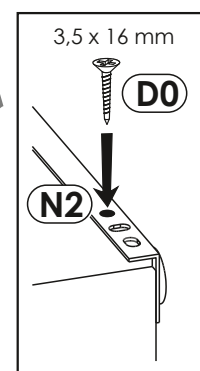
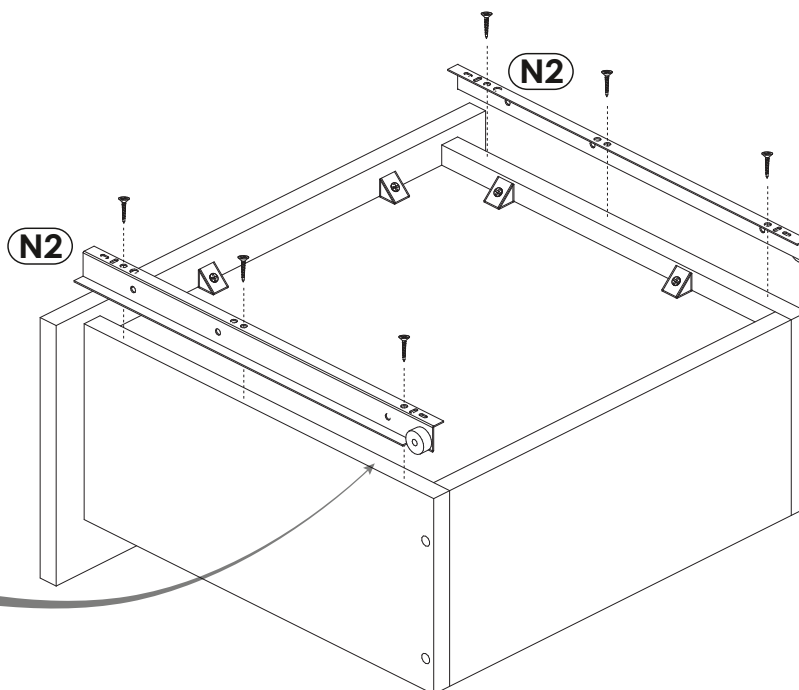
a=b



x4

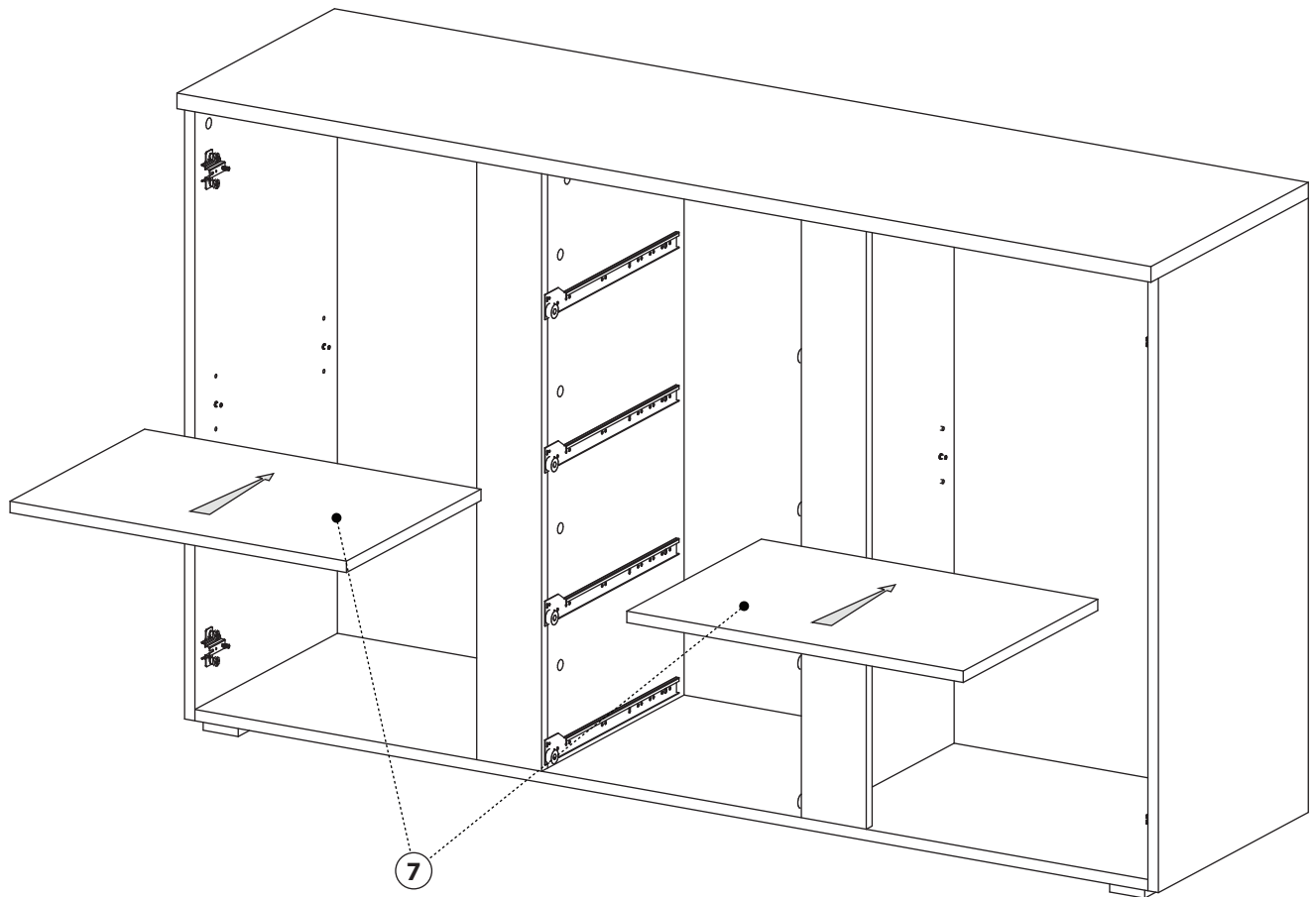
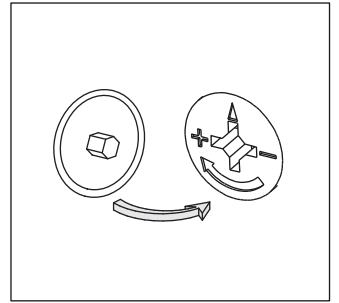
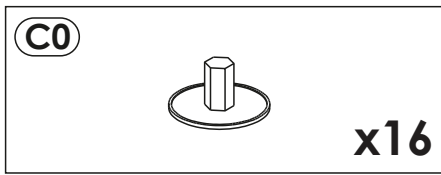
26 ▶

(N2)	L-350	(D0)	3 x 15 mm
	x4		x24

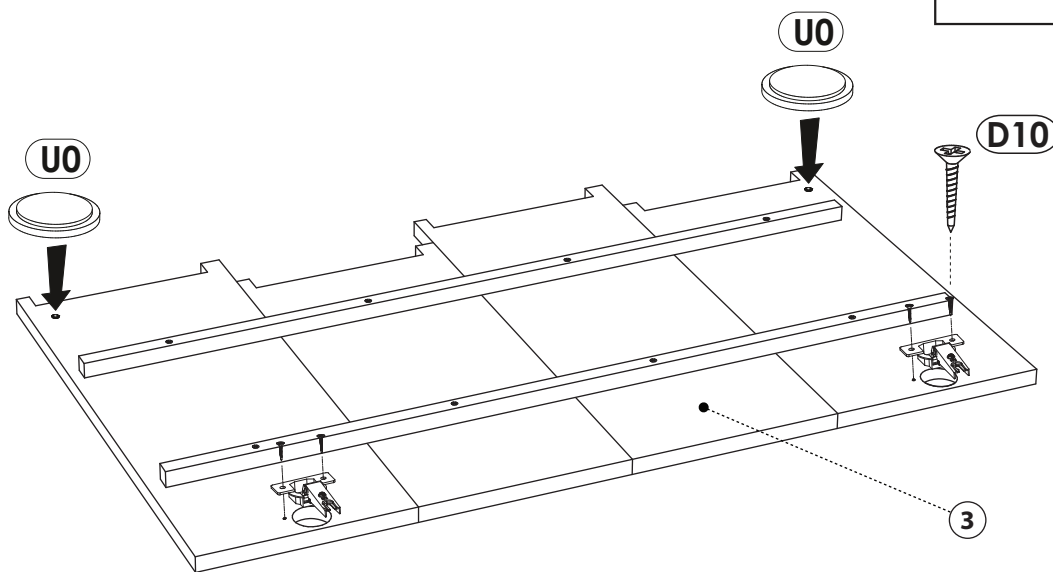
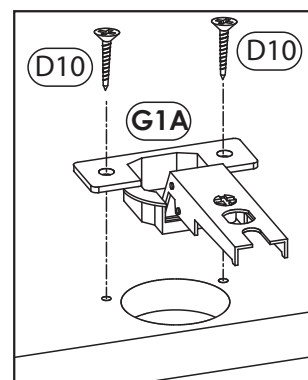
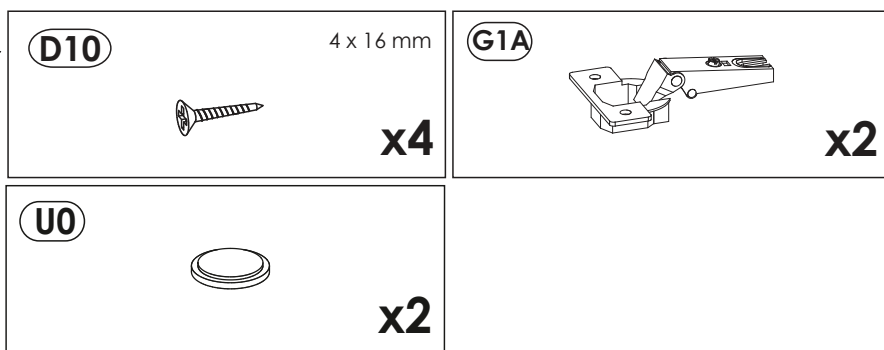


x4

27 ▶



28 ▶



29 ▶

