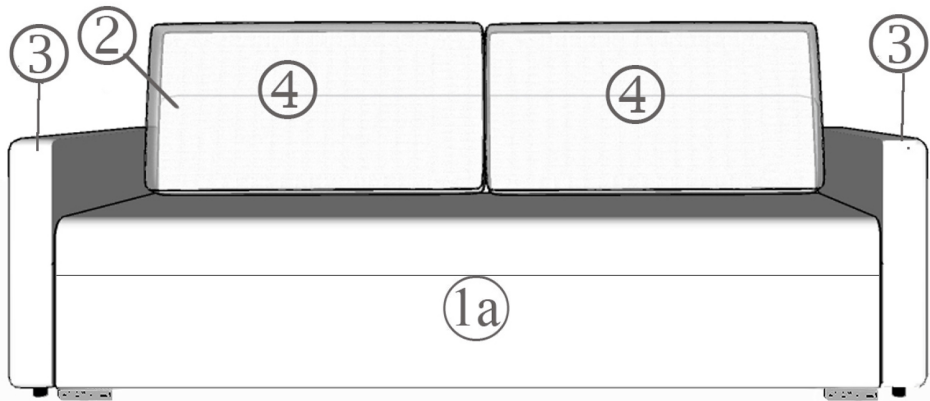


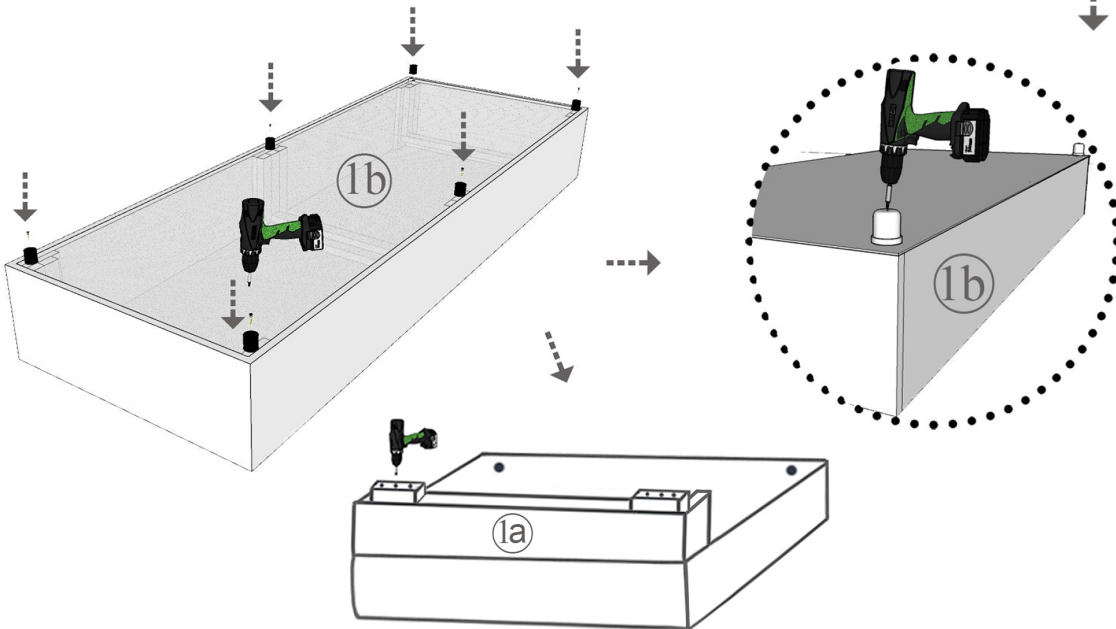
Assembly instruction - Sofa Tempo



- 1a. Seat
- 1b. Bed linen box
- 2. Backrest
- 3. Armrest x 2
- 4. Large pillow x 2

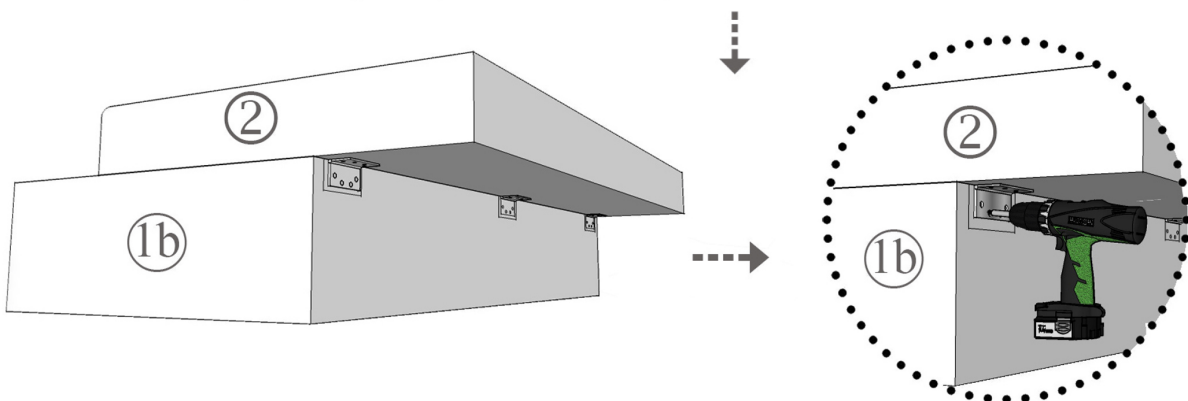
Step 1.

Put bed linen box 1b with it's floor up and position six plastic legs where holes are. Connect legs with floor using screws. When the legs are mounted, turn box 1b so that it stands on plastic legs.



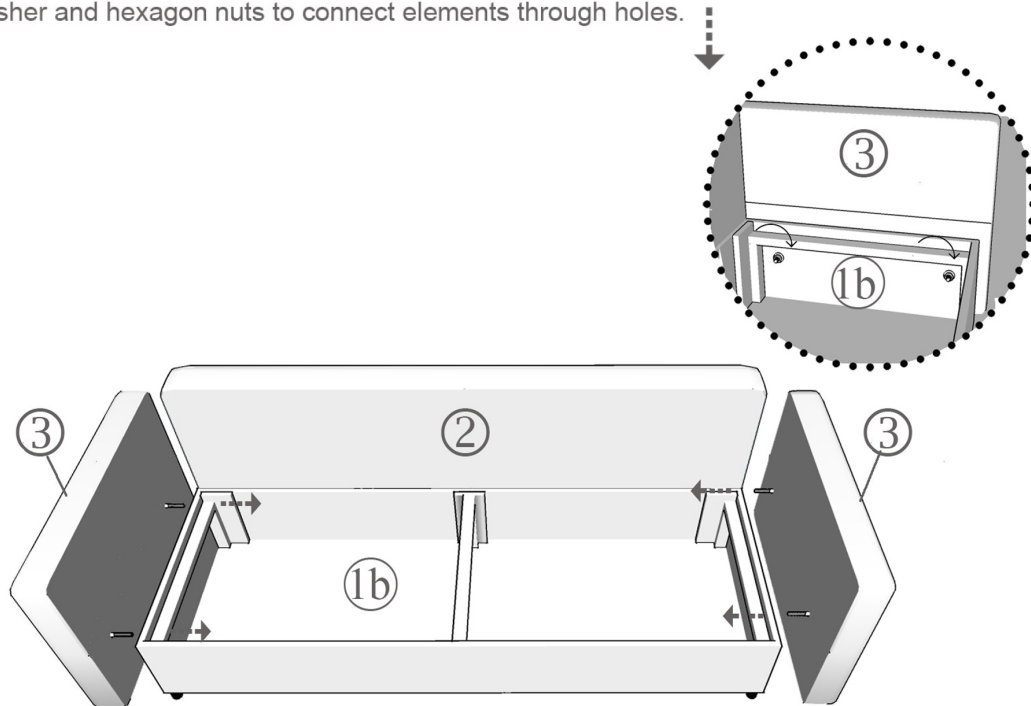
Step 2.

Put backrest 2 horizontally over bed linen box 1b. Position hinges in place where labels are. Connect backrest and bed linen box by screwing through the holes on hinges.



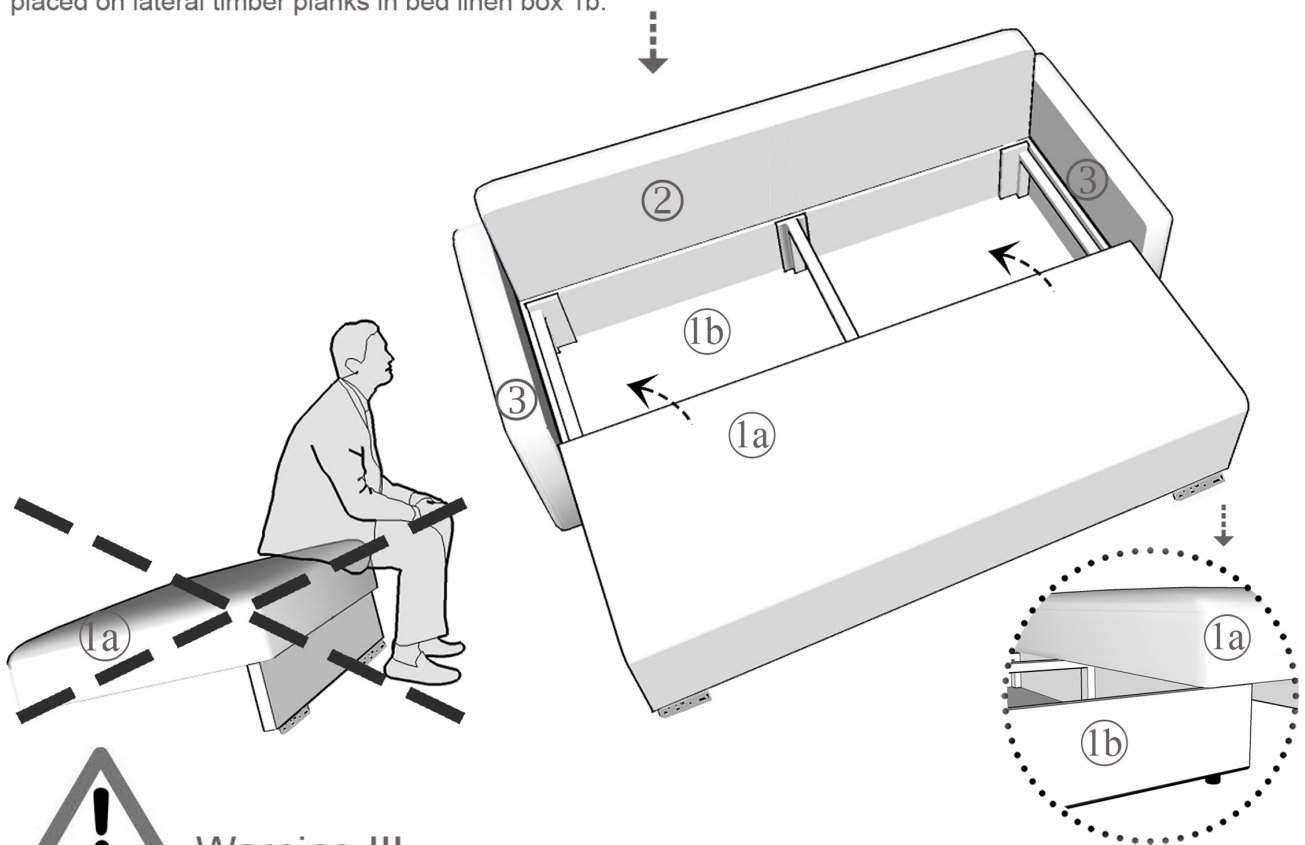
Step 3.

Put armrest 3 parallel with lateral side of bed linen box 1b. Connect armrests to bed linen box. Use carriage bolts, flat washer and hexagon nuts to connect elements through holes.



Step 4.

Put backrest in vertical position and put seat 1a over bed linen box. Plastic legs on bottom of the seat should be placed on lateral timber planks in bed linen box 1b.



Warning !!!

Do not seat or put any pressure on sitting element while it's not positioned on bed linen box.