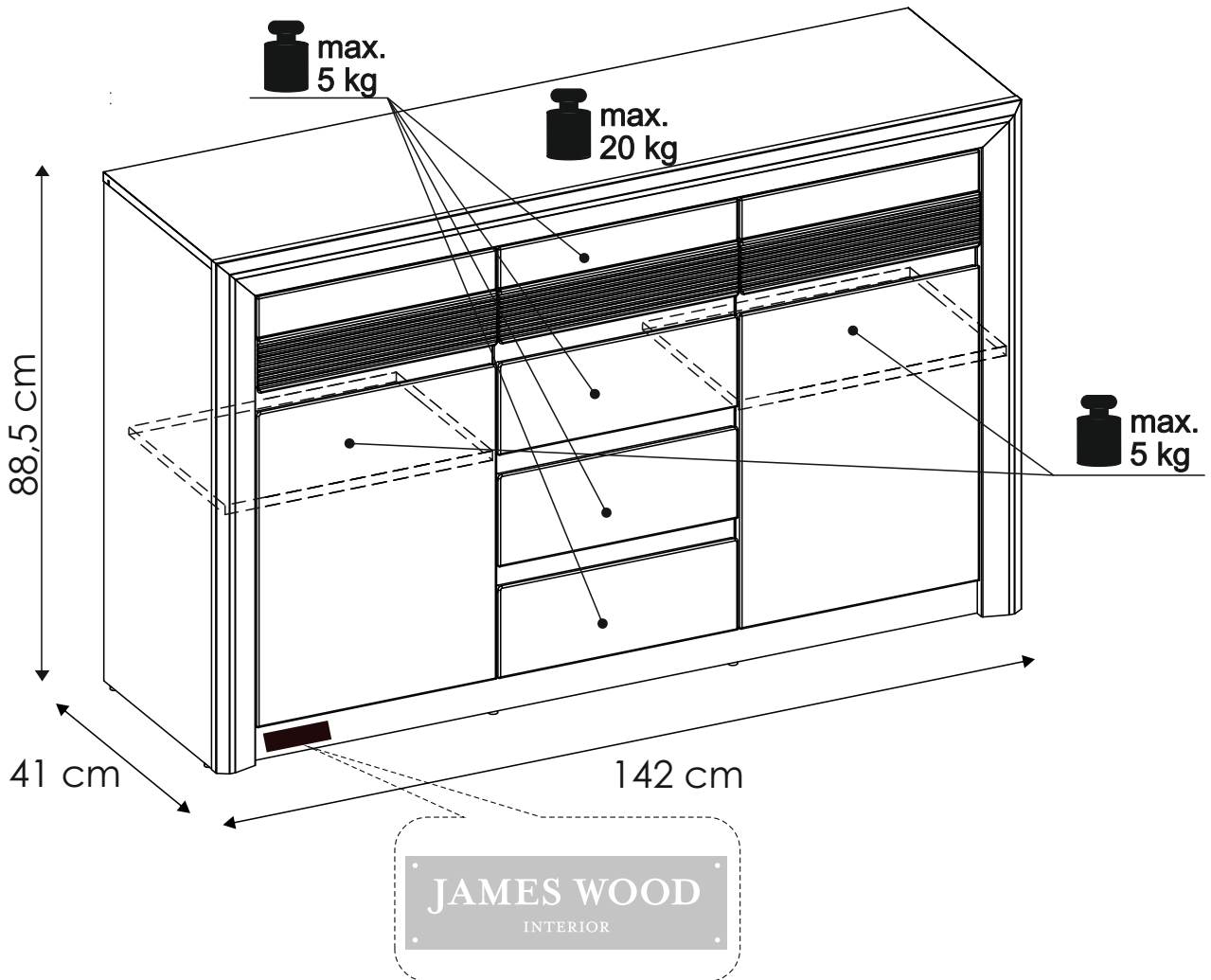


1803

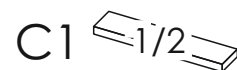
KASHMIR NEW KAK01



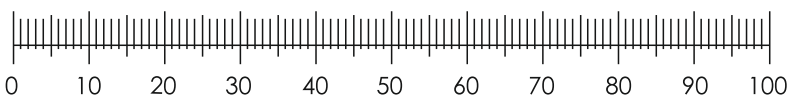
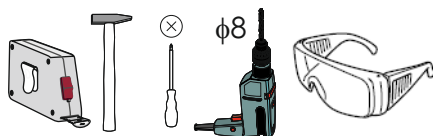
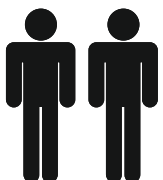
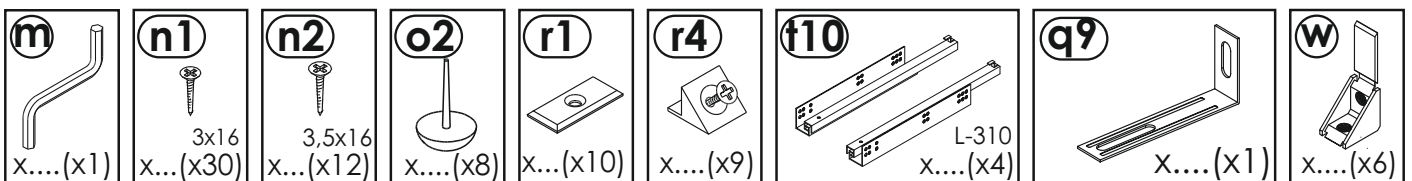
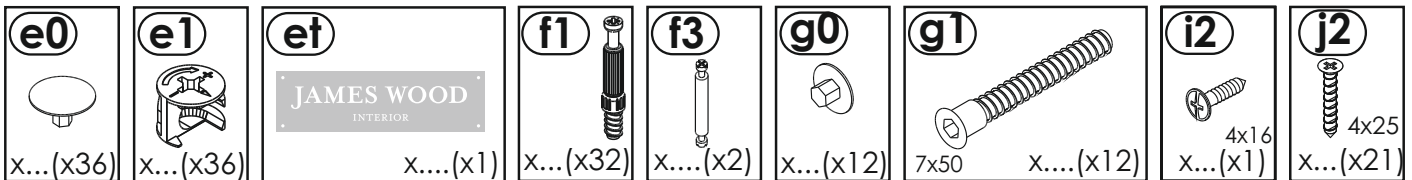
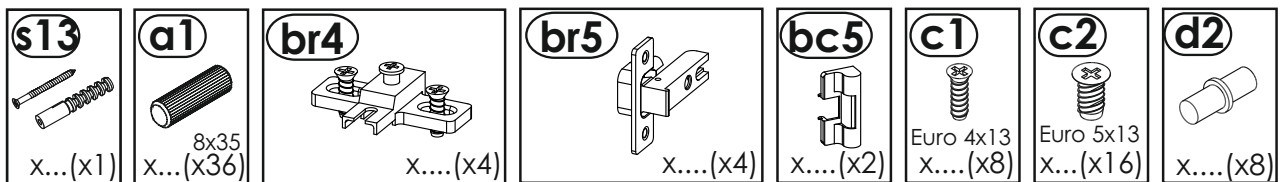
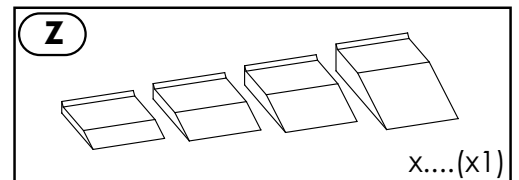
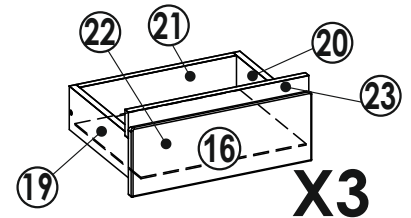
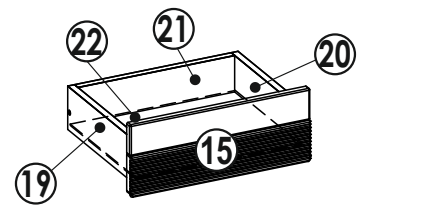
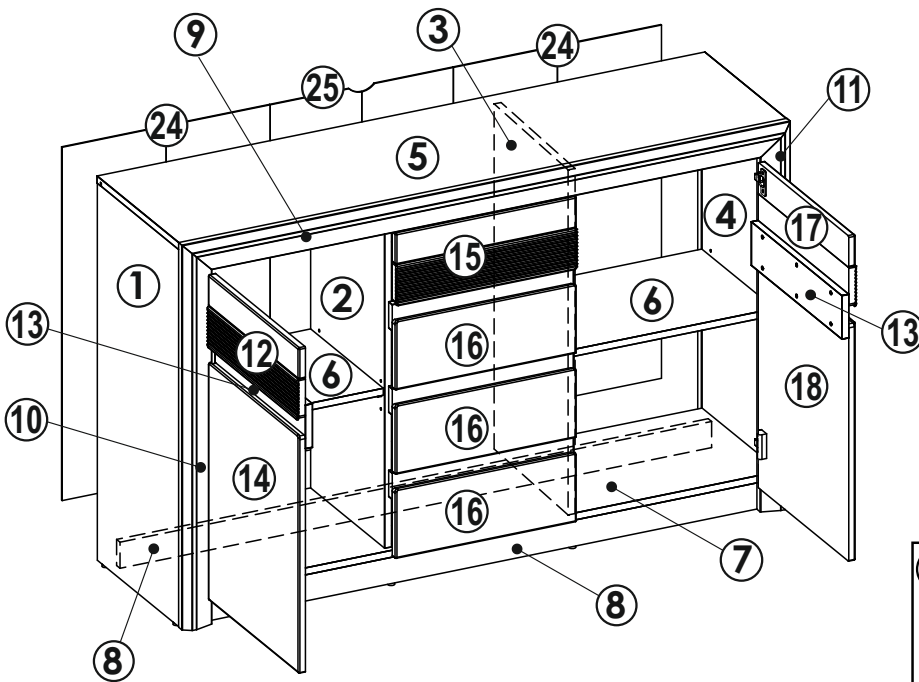
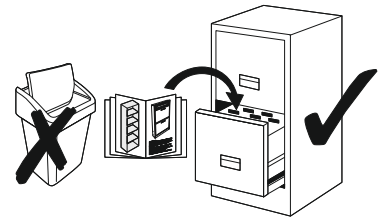
- 60 min.



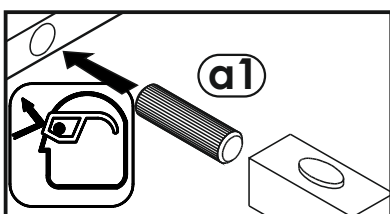
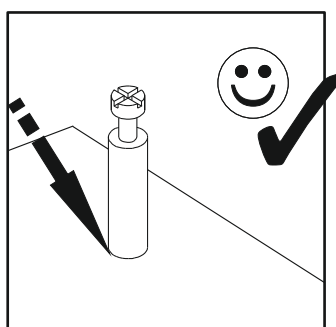
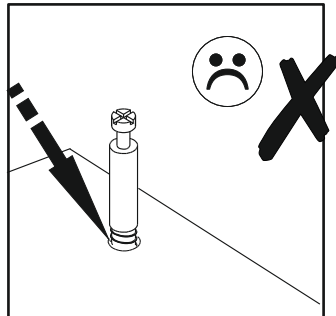
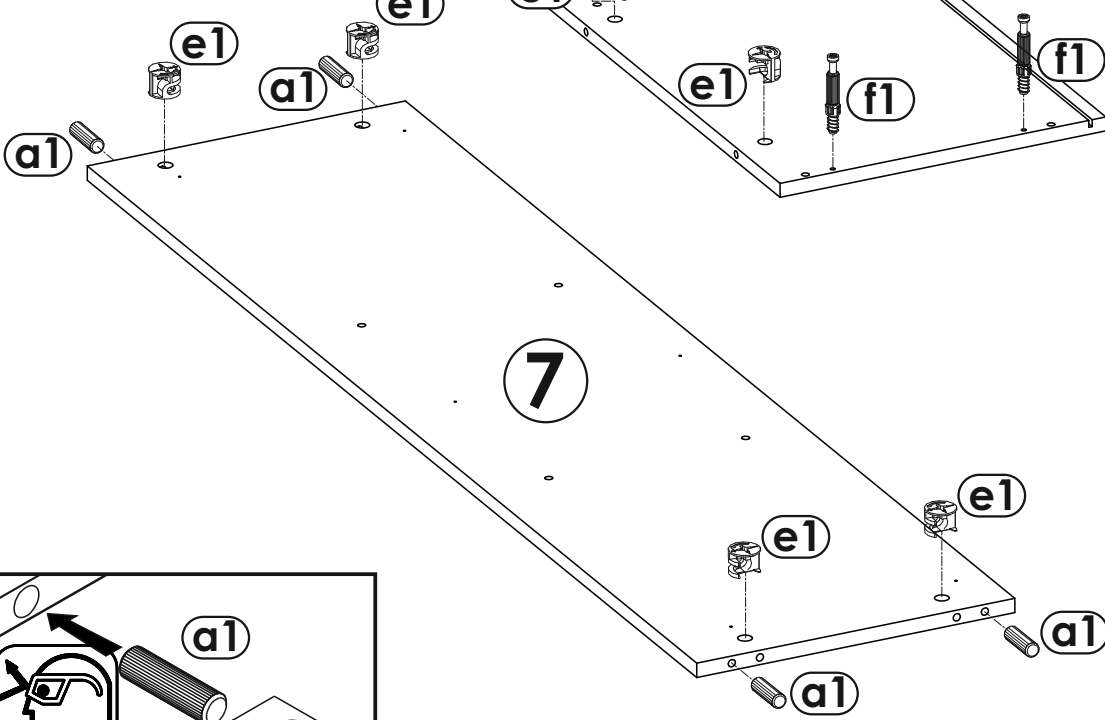
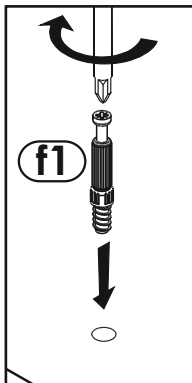
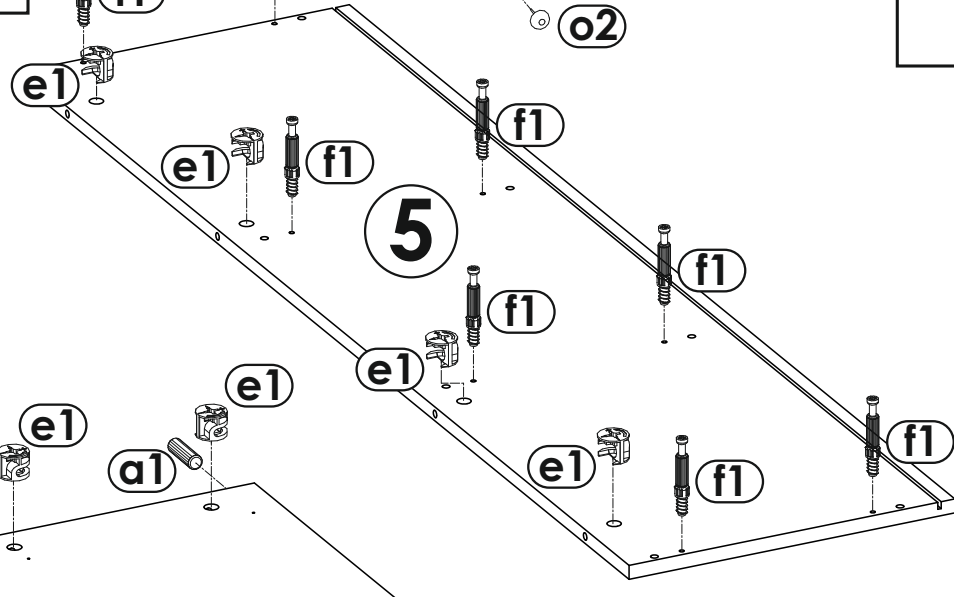
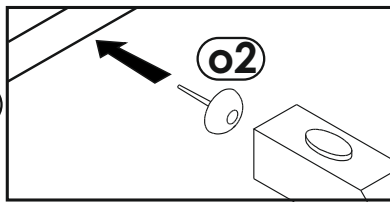
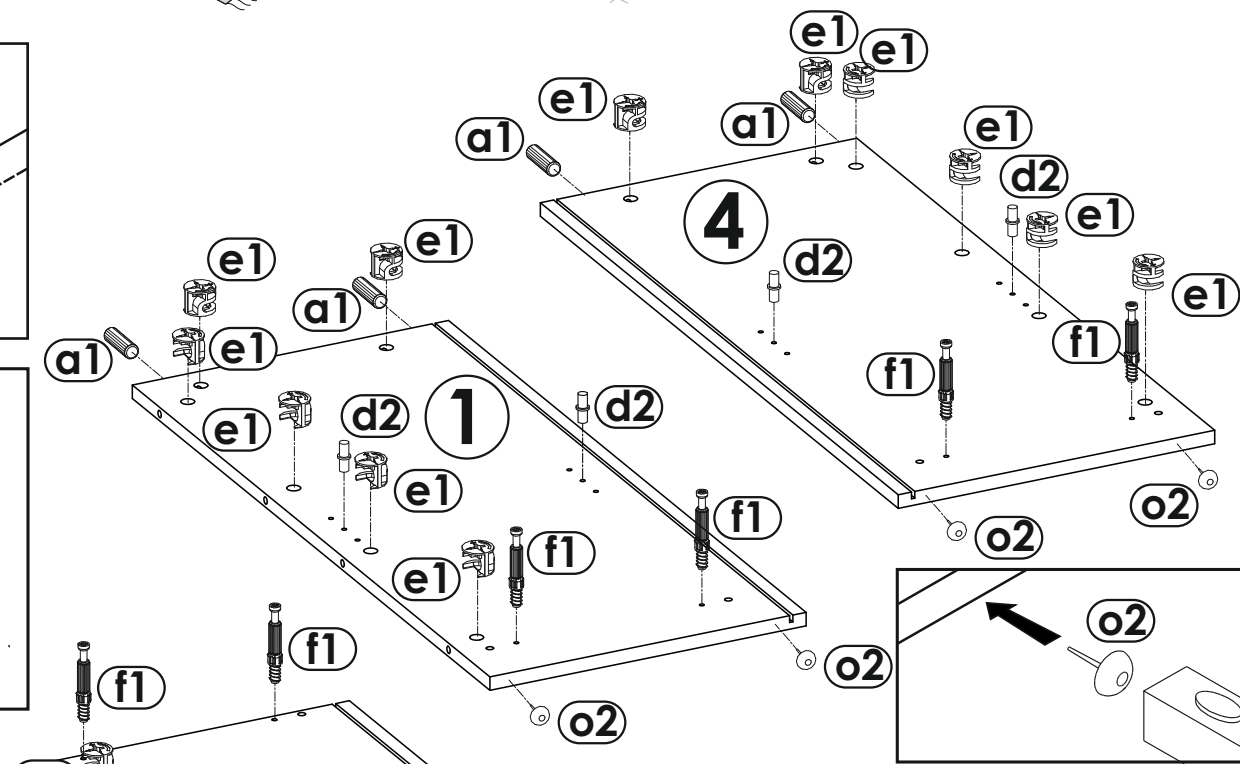
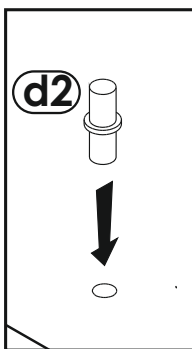
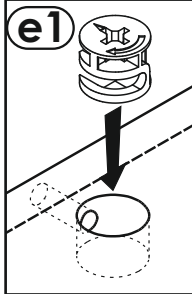
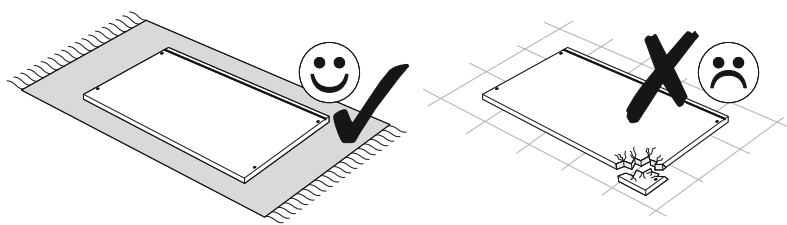
- | | | | |
|--------|--------|--------|--------|
| ① - C1 | ⑧ - C1 | ⑮ - C2 | ⑳ - C2 |
| ② - C1 | ⑨ - C1 | ⑯ - C2 | ㉑ - C2 |
| ③ - C1 | ⑩ - C1 | ⑰ - C2 | ㉒ - C2 |
| ④ - C1 | ⑪ - C1 | ⑱ - C2 | ㉓ - C2 |
| ⑤ - C1 | ⑫ - C2 | ⑲ - C2 | |
| ⑥ - C1 | ⑬ - C2 | ⑳ - C2 | |
| ⑦ - C1 | ⑭ - C2 | ㉑ - C2 | |



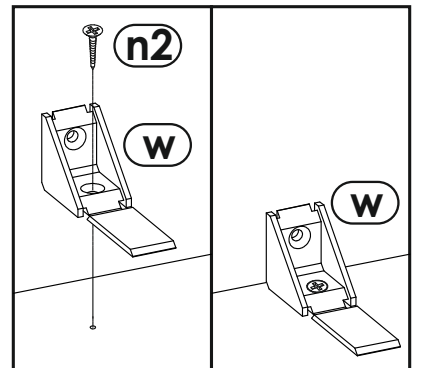
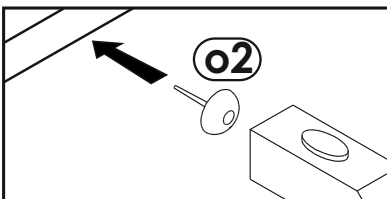
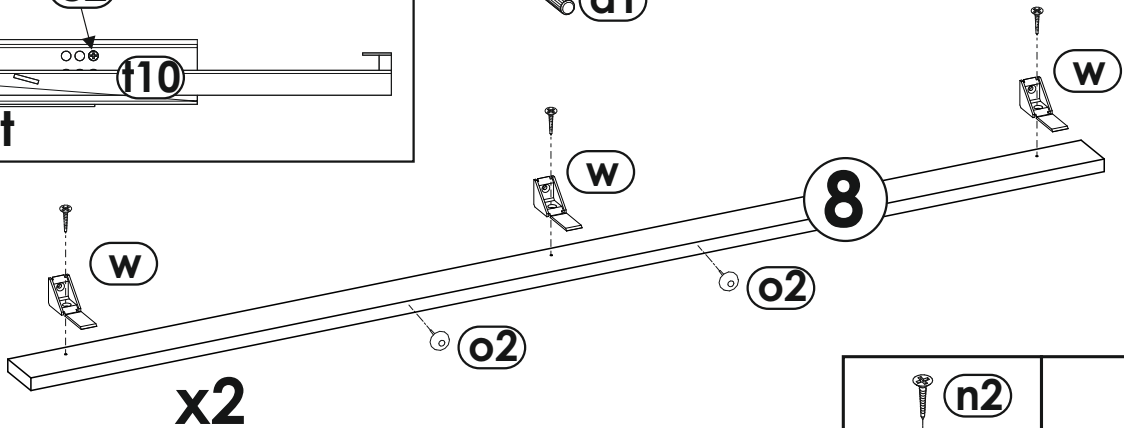
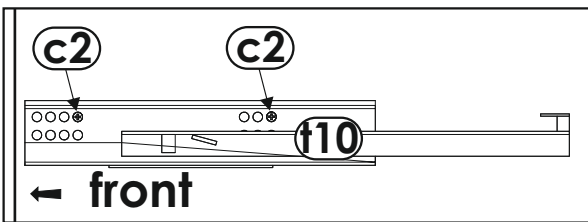
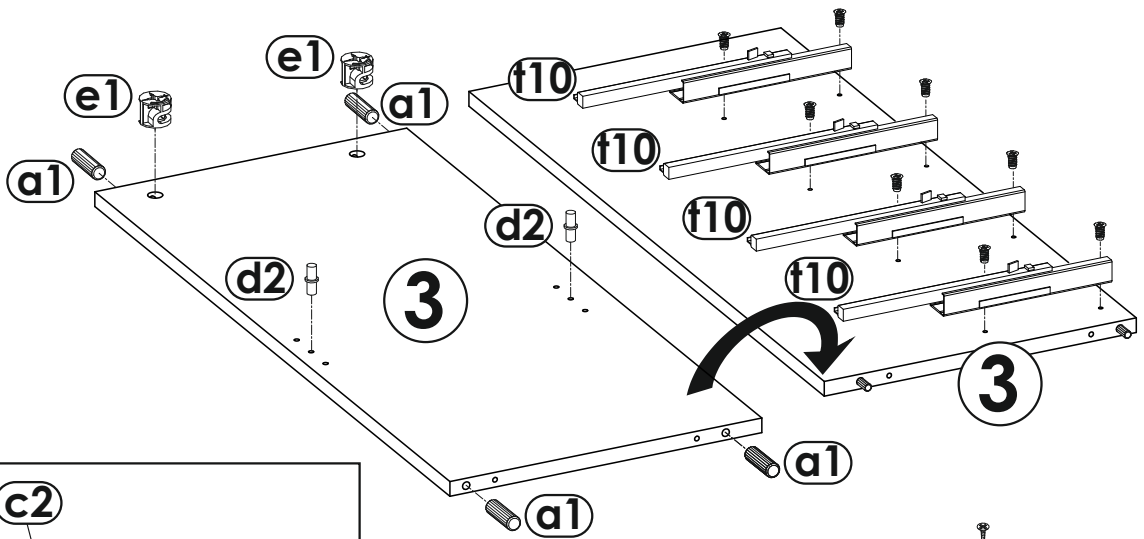
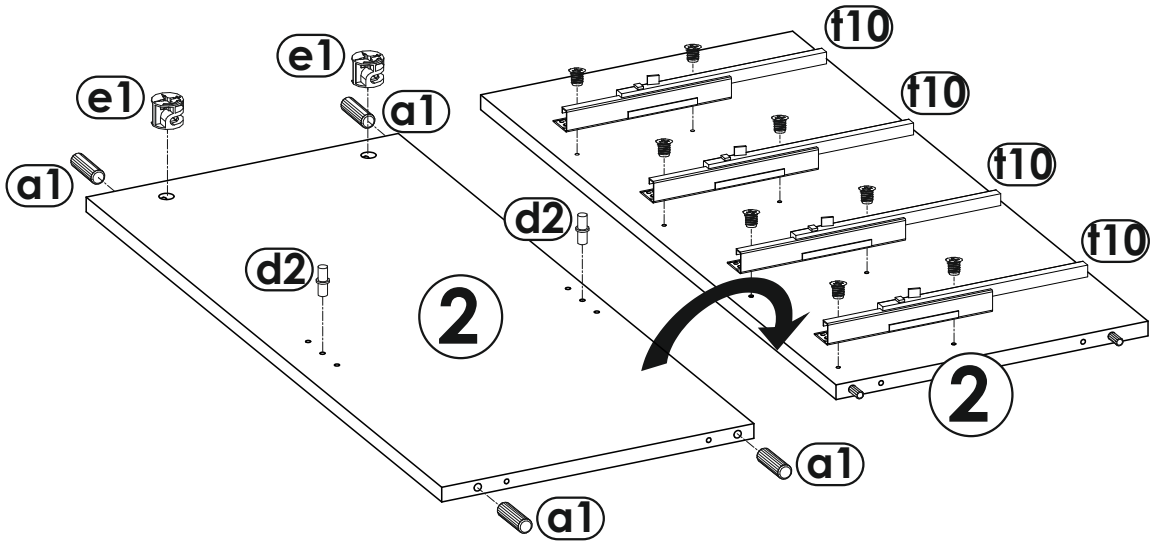
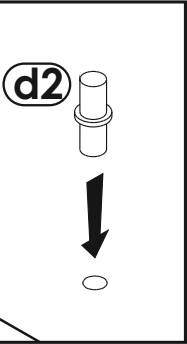
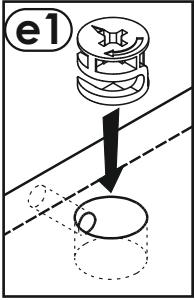
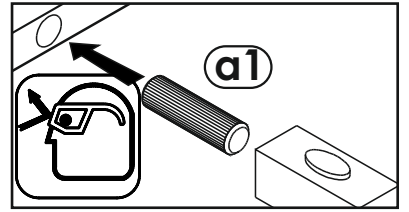
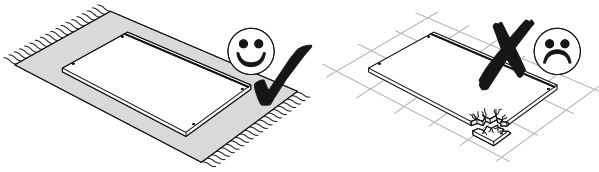
KASHMIR NEW KAK01



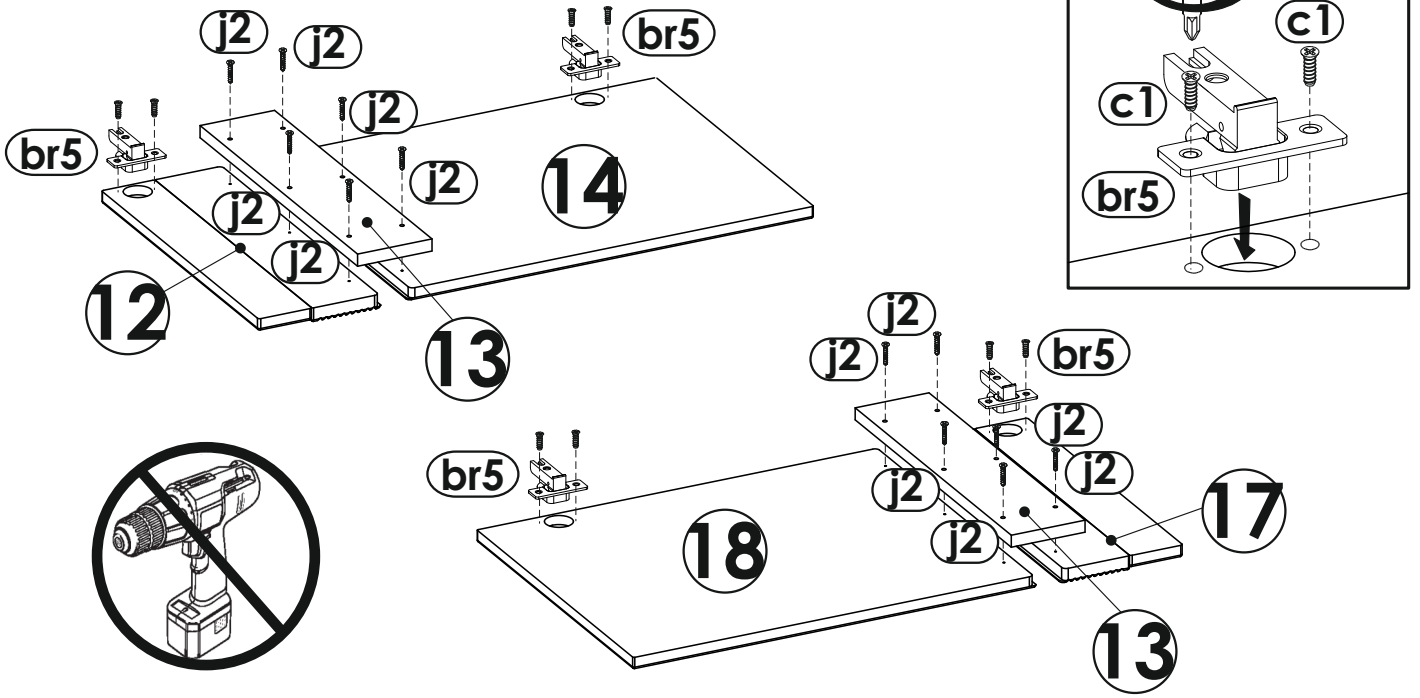
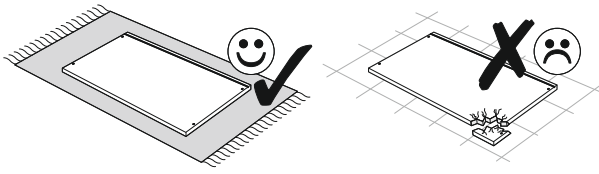
1



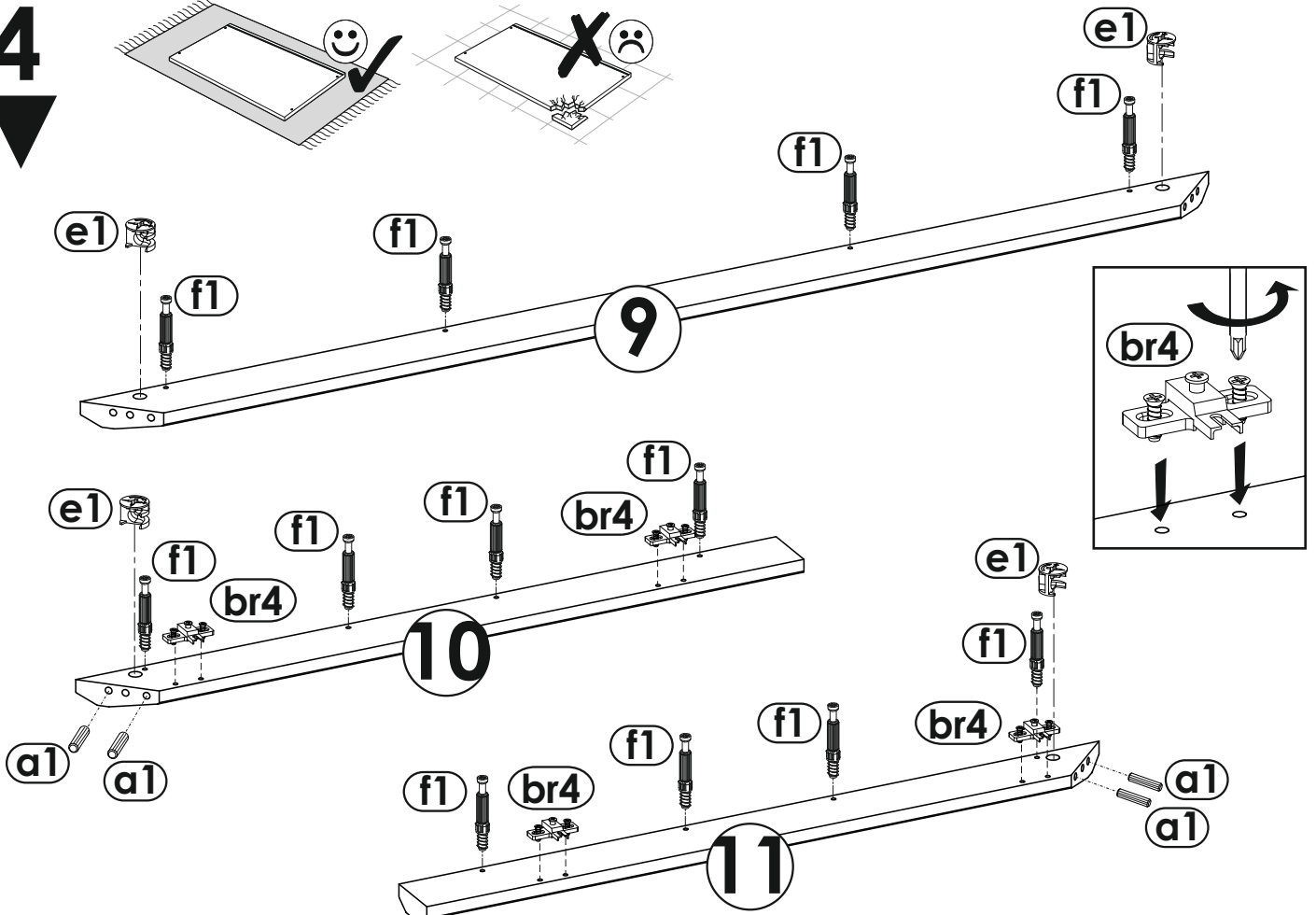
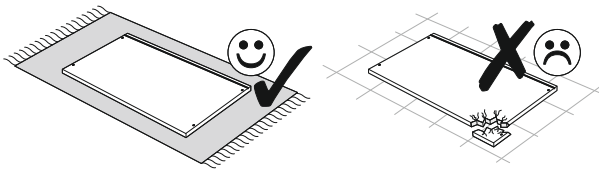
2



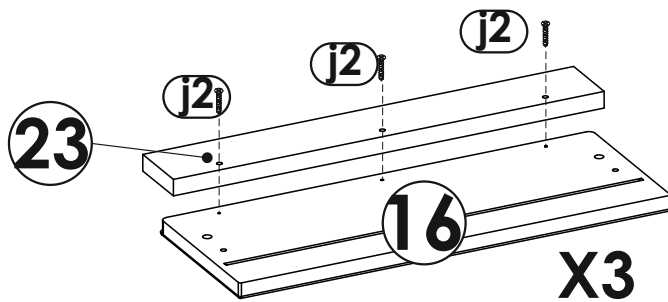
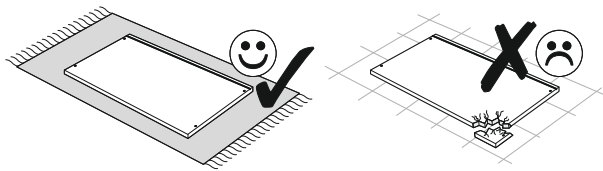
3
▼



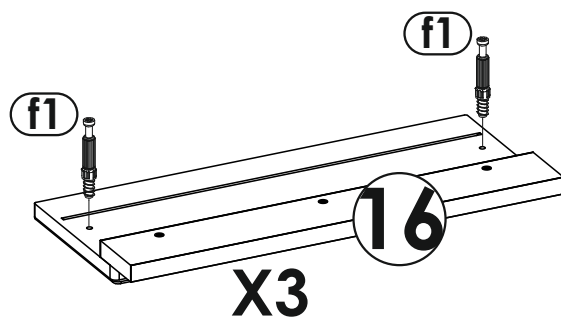
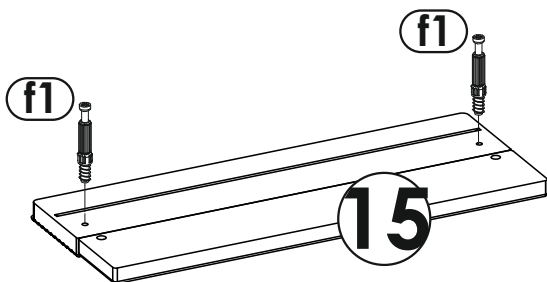
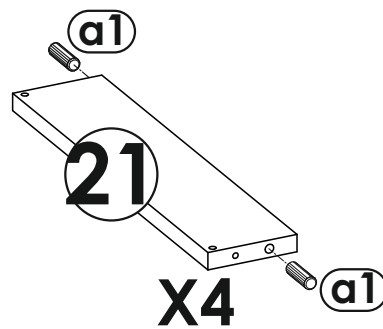
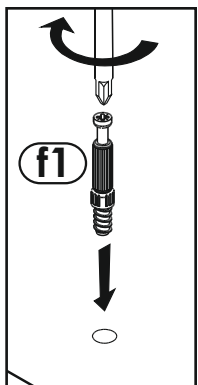
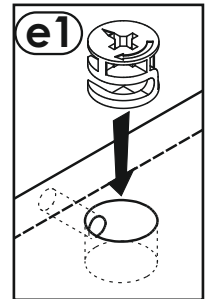
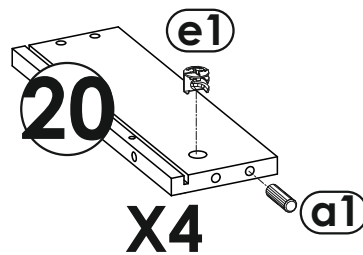
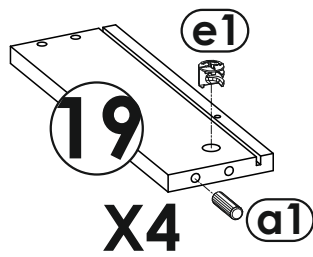
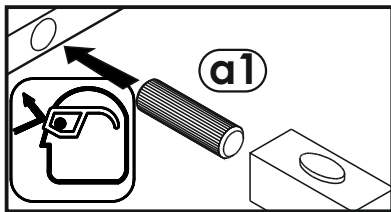
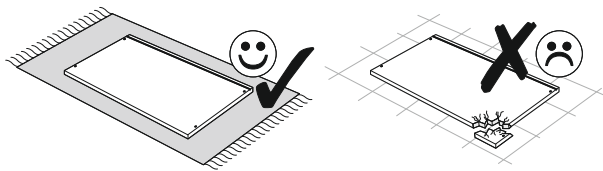
4
▼



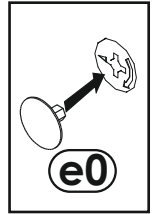
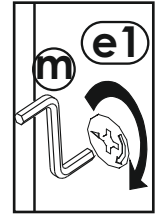
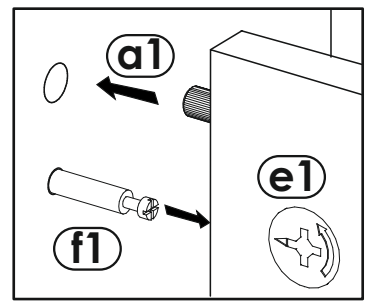
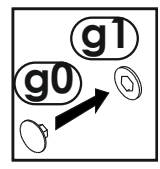
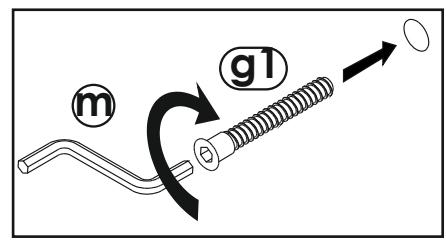
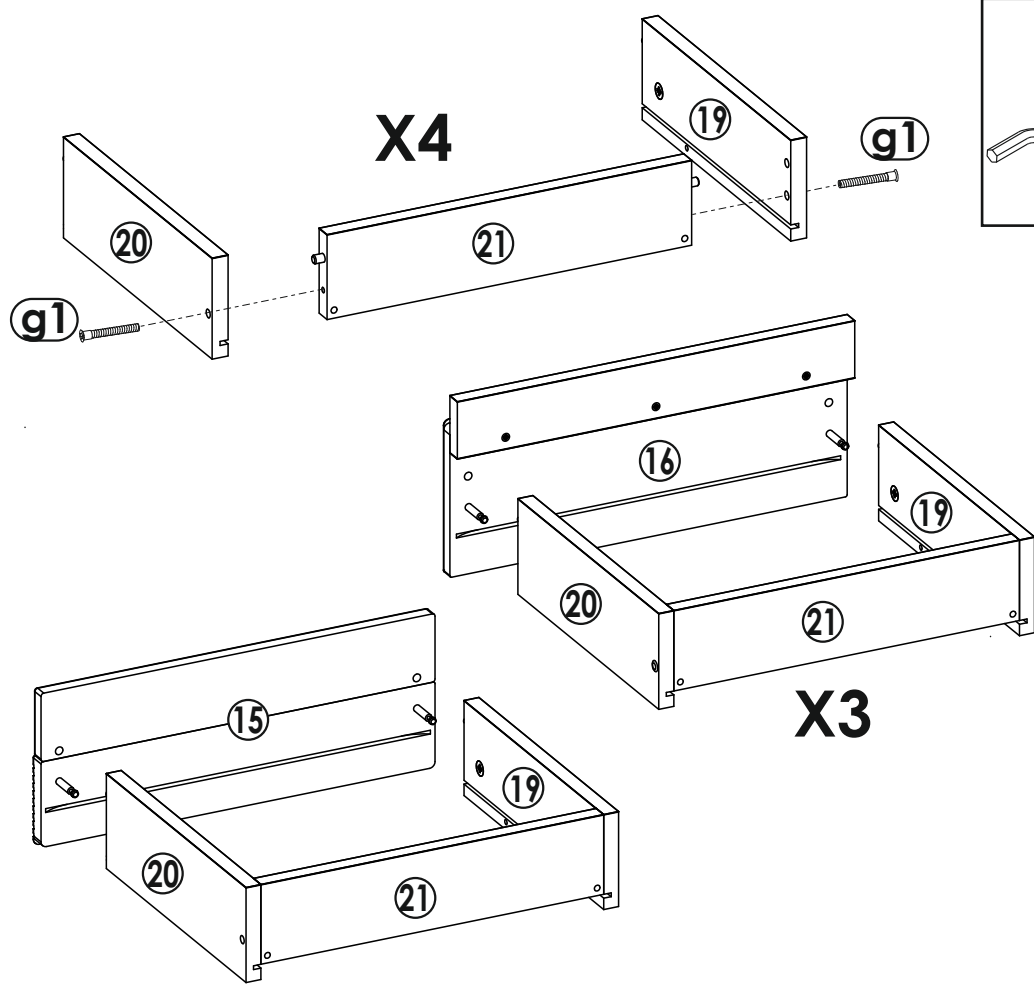
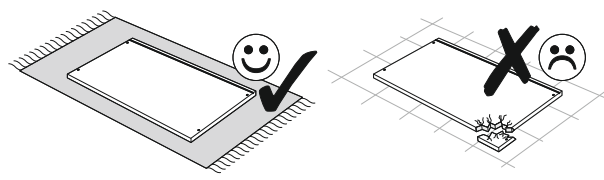
5
▼



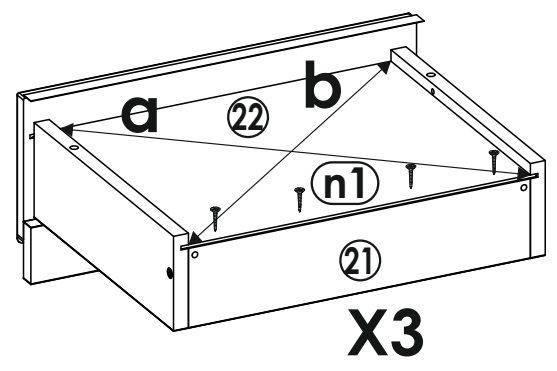
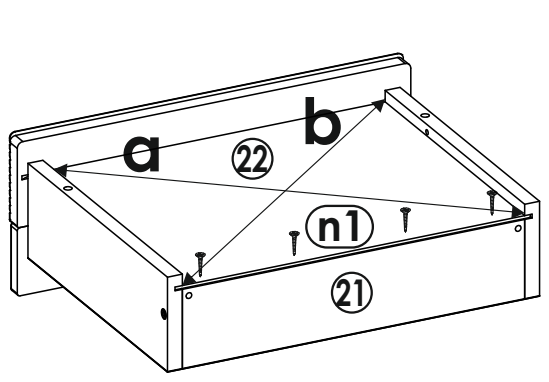
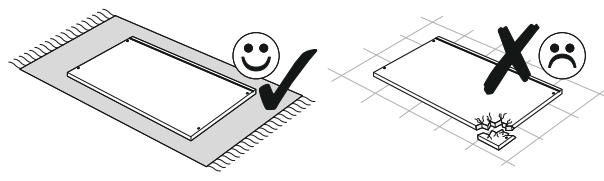
6
▼



7

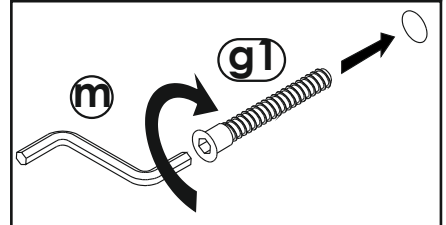
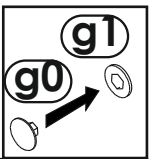
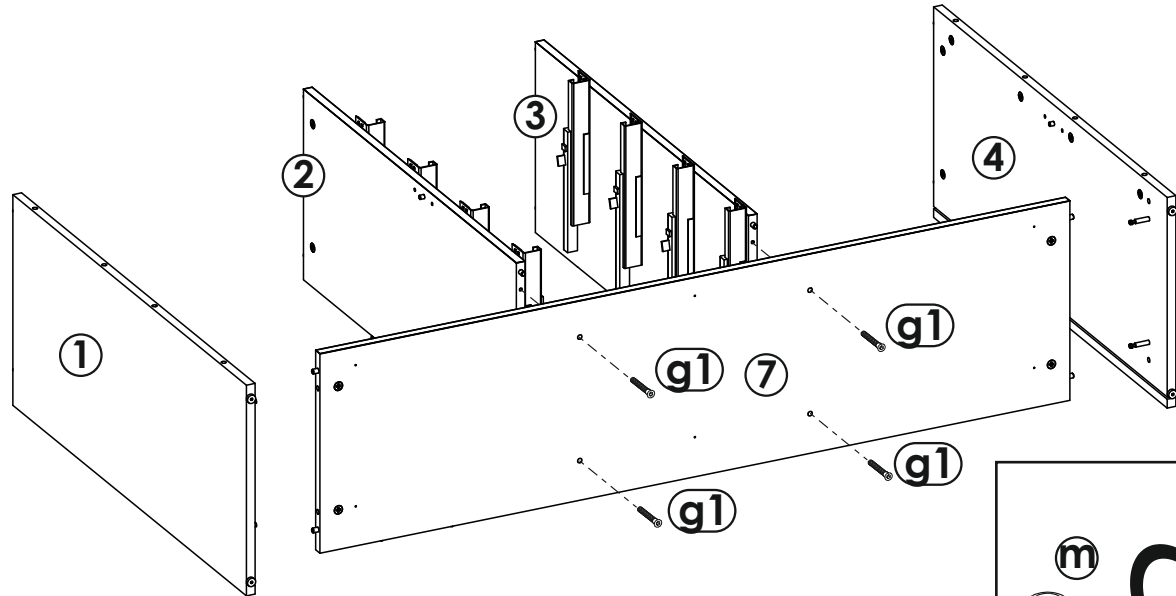
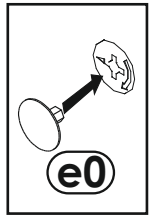
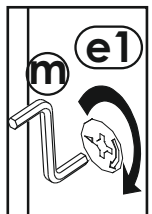
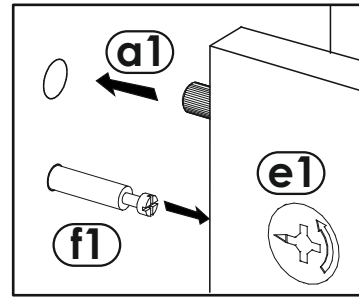
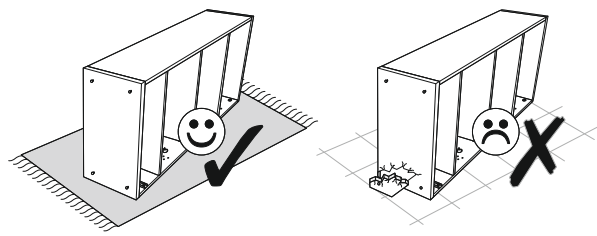


8

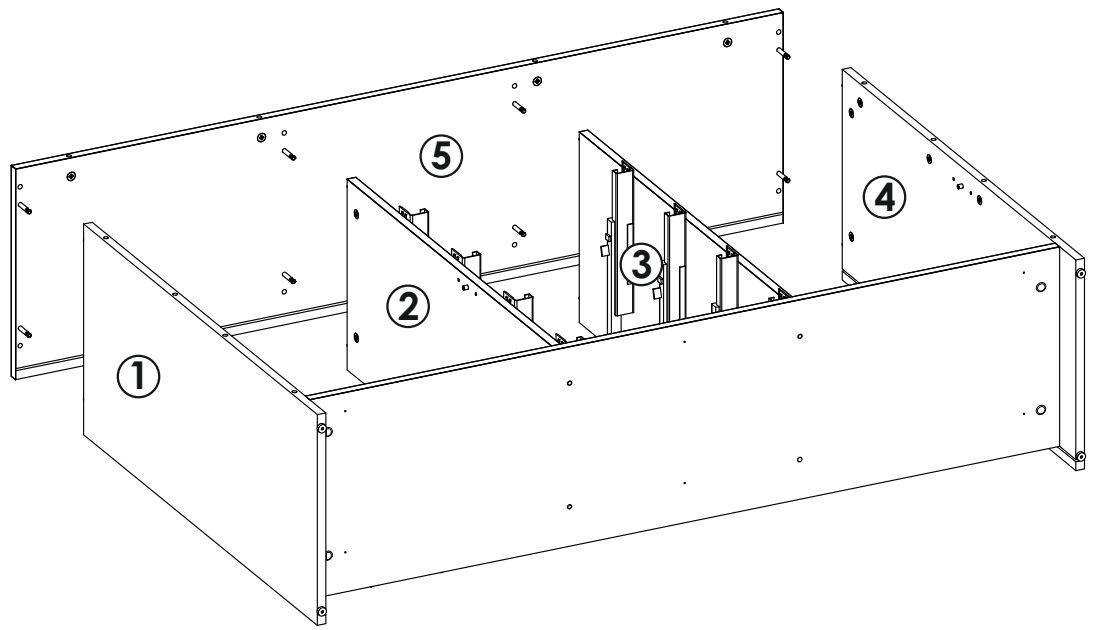
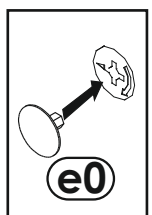
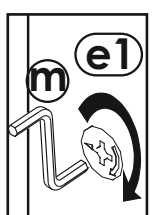
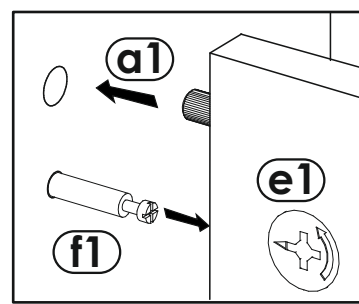
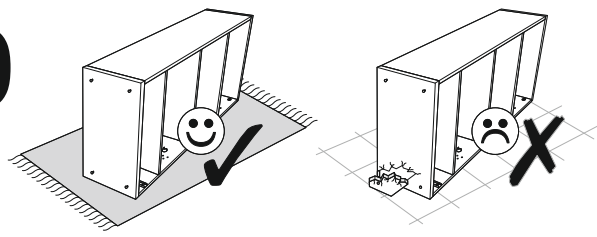


a=b

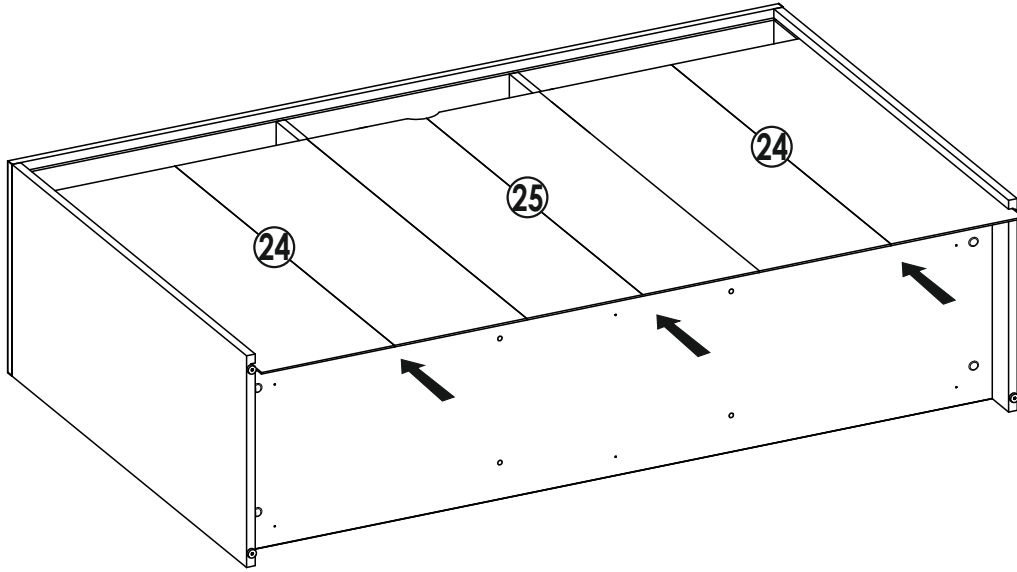
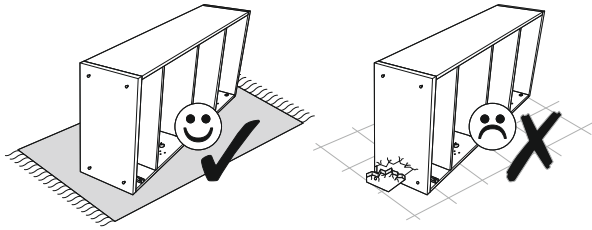
9



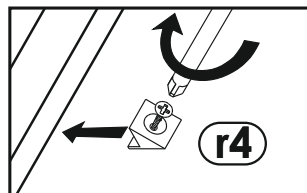
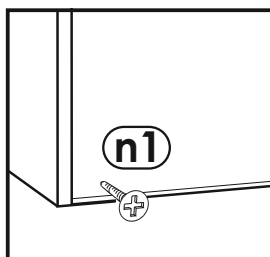
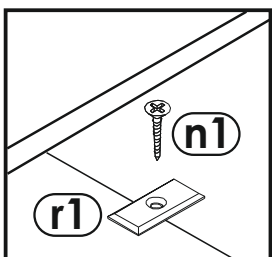
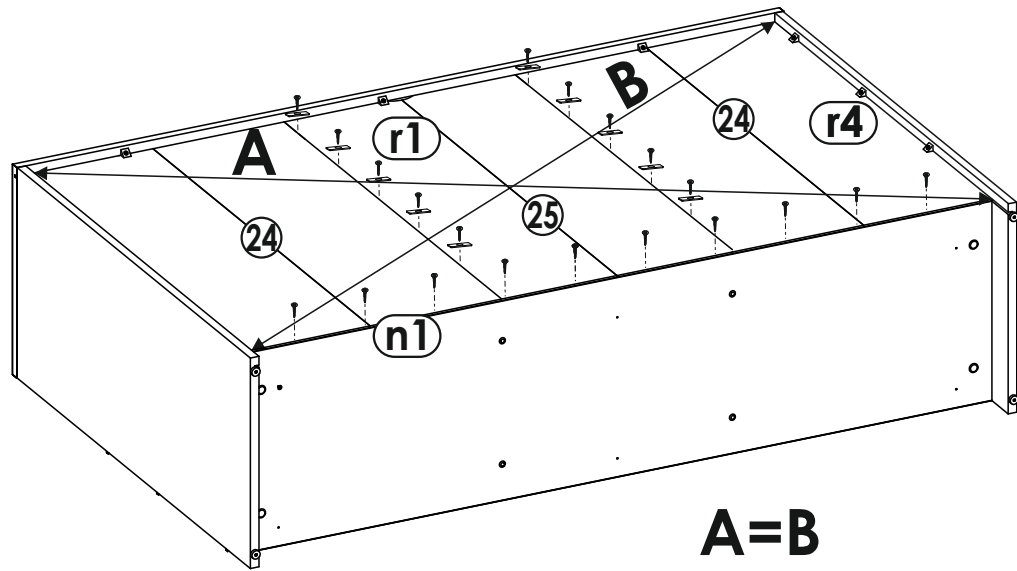
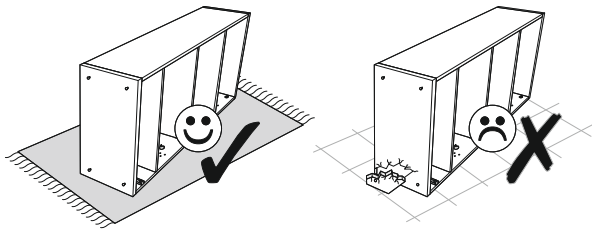
10



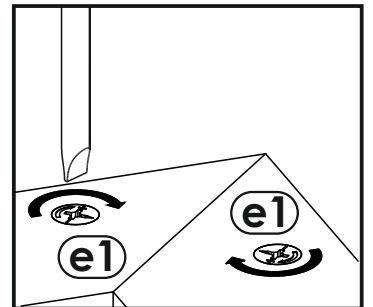
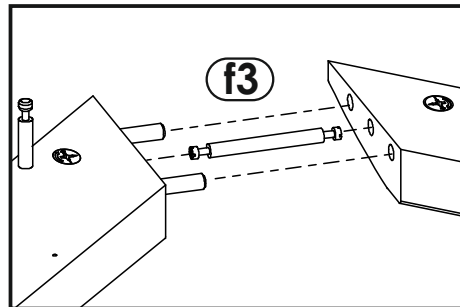
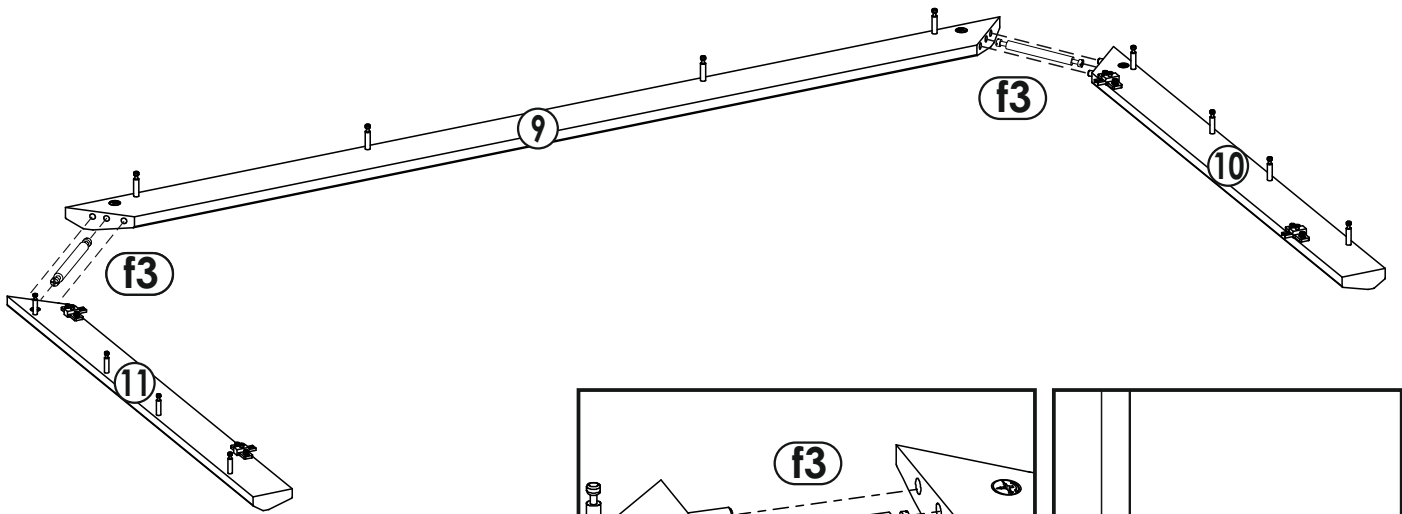
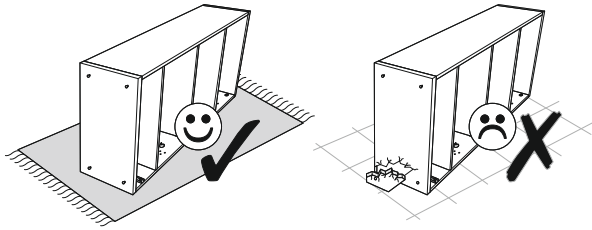
11
▼



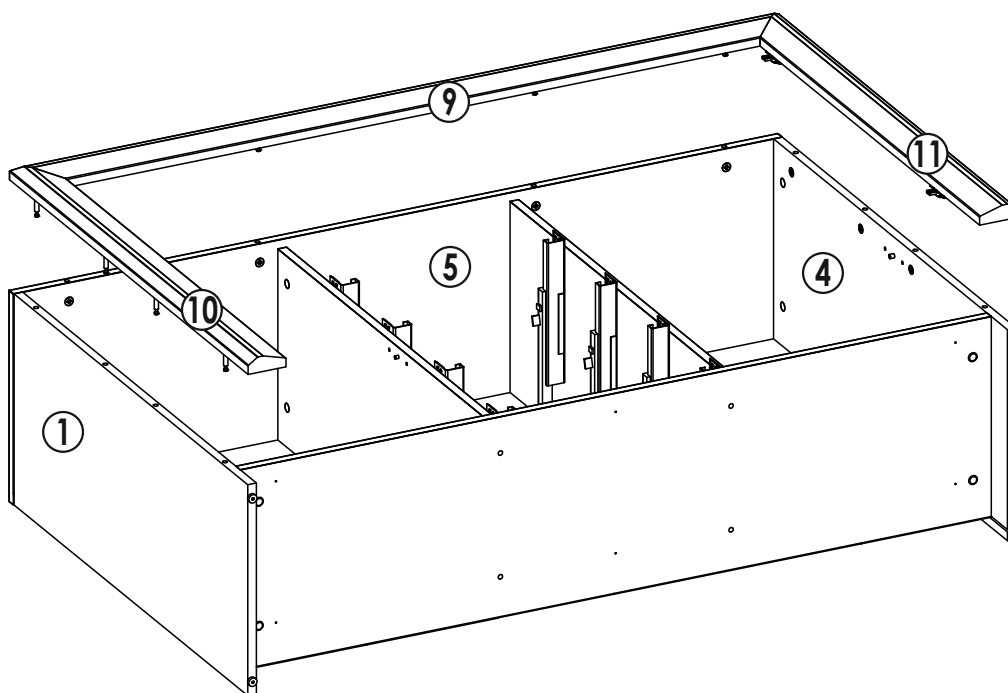
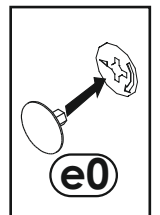
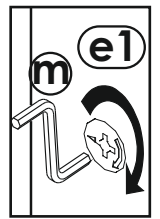
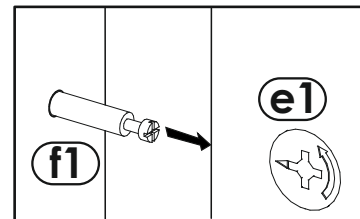
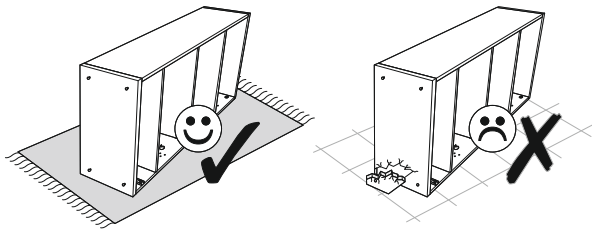
12
▼



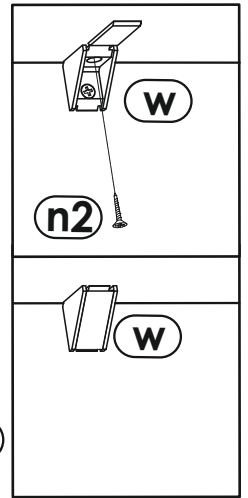
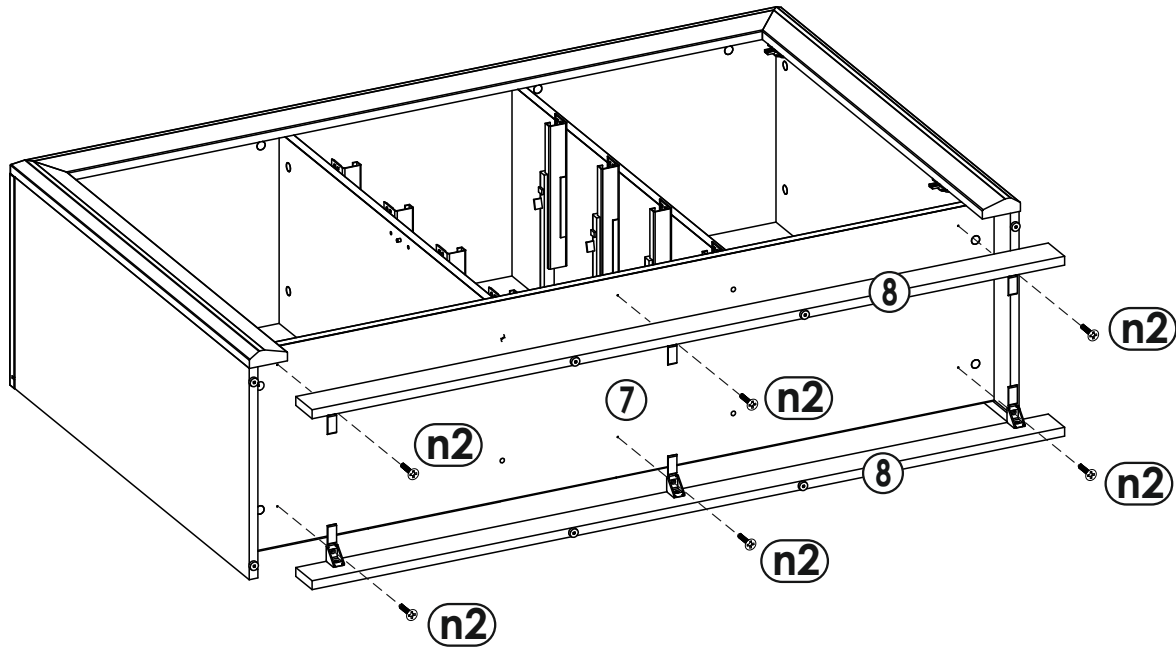
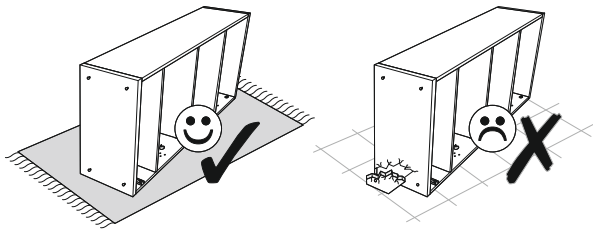
13



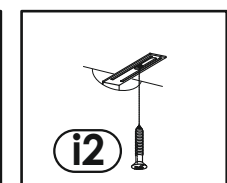
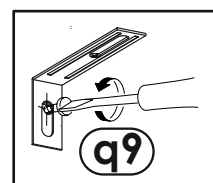
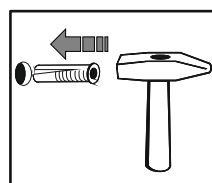
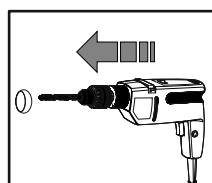
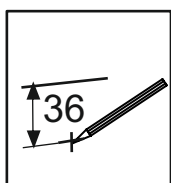
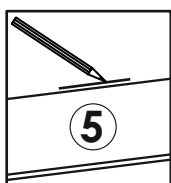
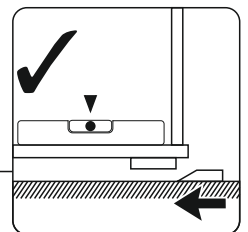
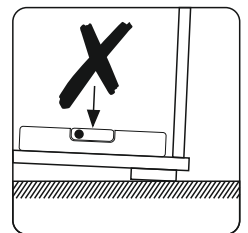
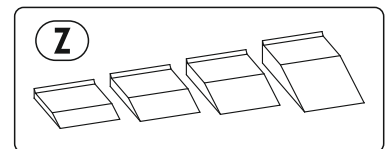
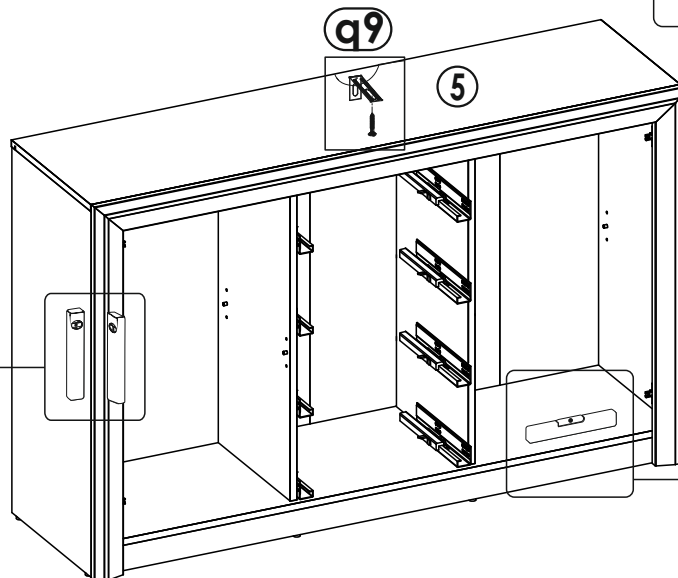
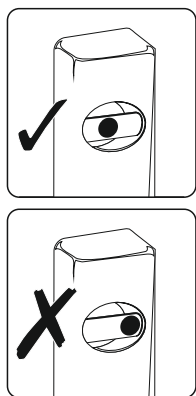
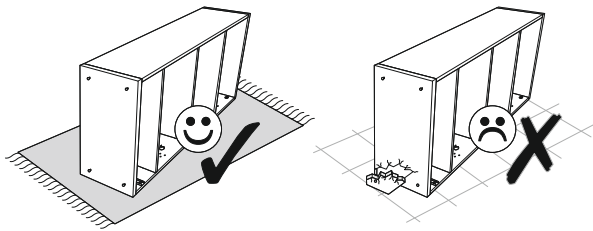
14



15
▼



16
▼



17
▼

