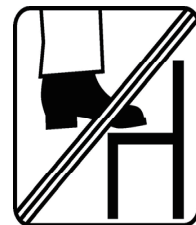
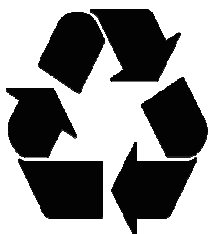
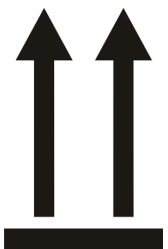
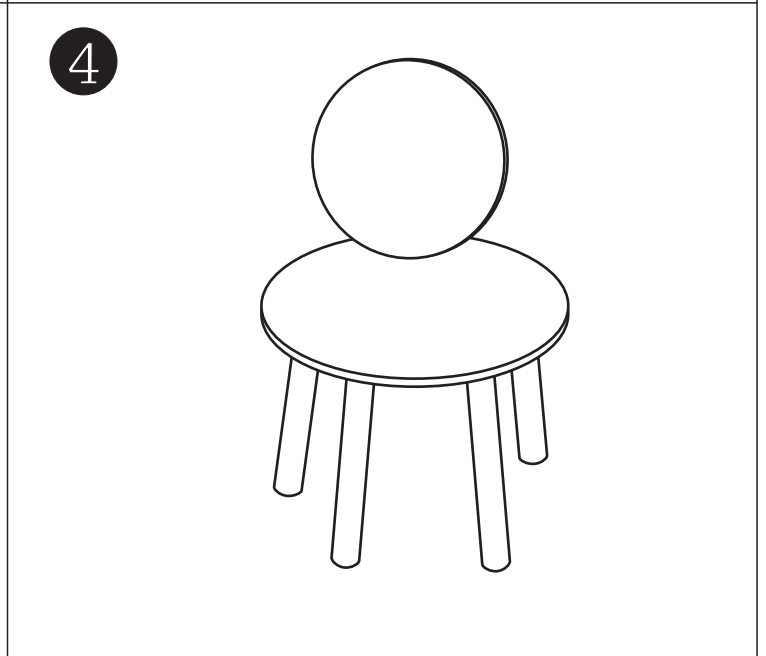
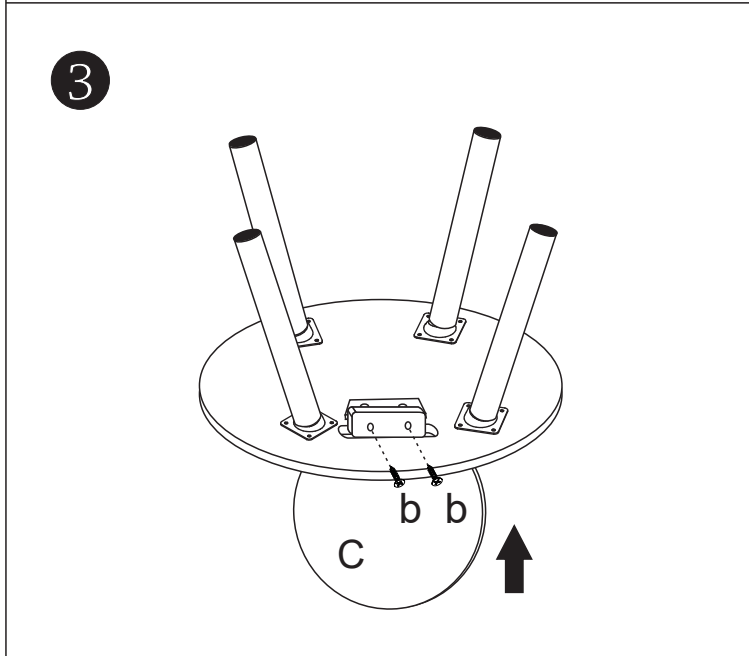
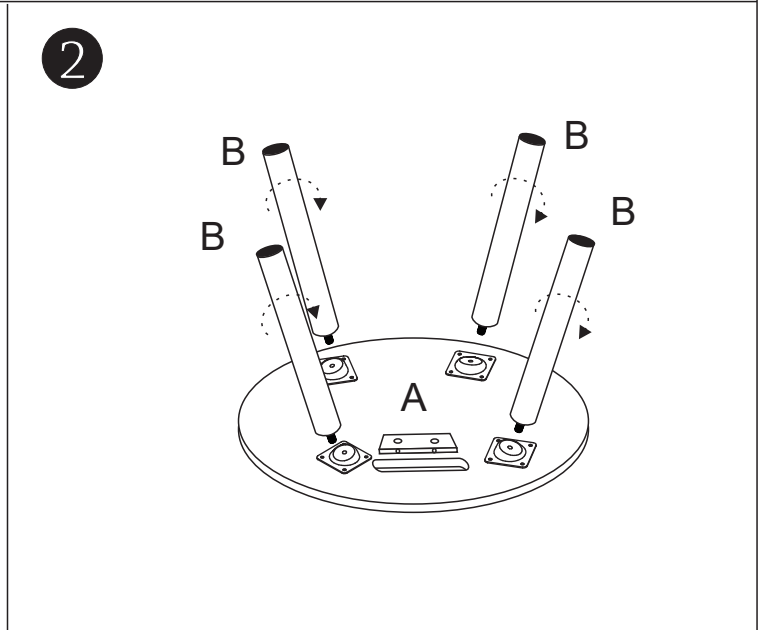
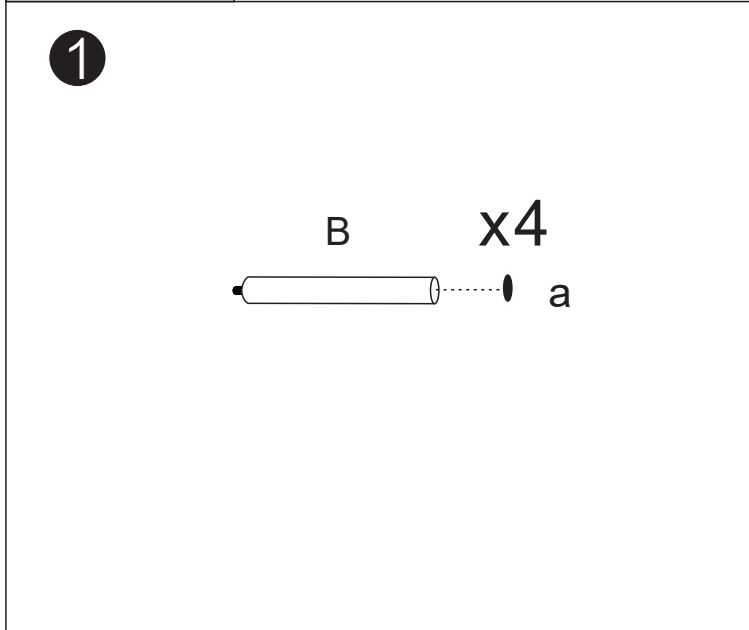
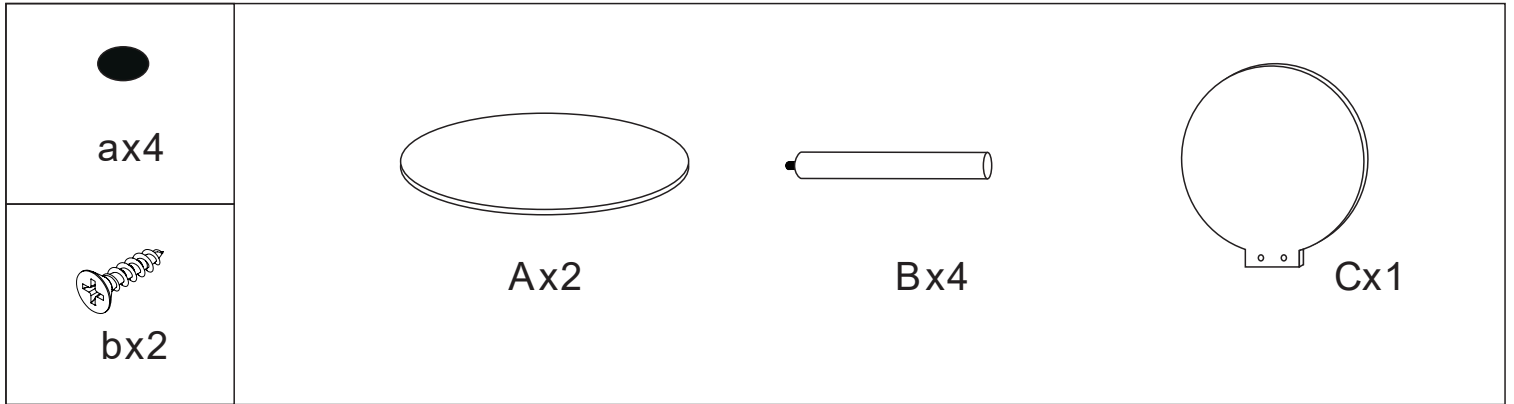


22240013-01 INSTRUCTION MANUAL



5

