





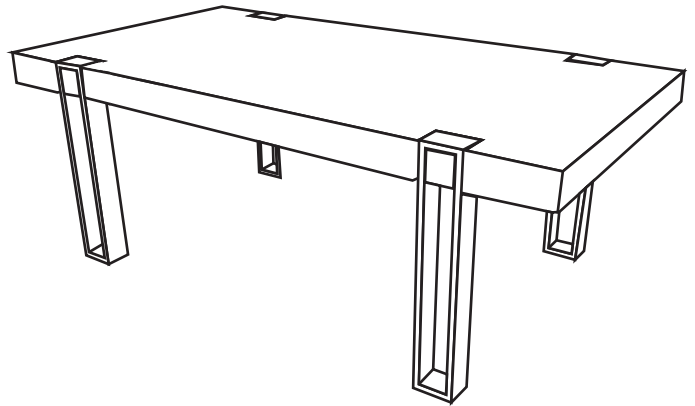


ASSEMBLY INSTRUCTION

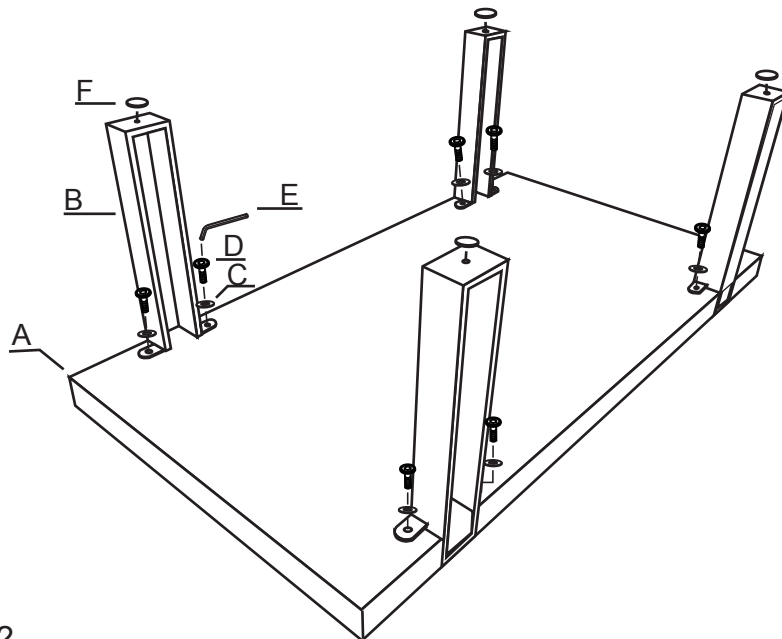
Carton 1/2: contains Part A
Carton 2/2: contains Part B-F

Item NO.: AUSTIN

HARDWARE LIST			
NO.	PART	DESCRIPTION	Q'TY
A		MDF Top	1
B		Legs	4
C		Gasket	8
D		Screw	8
E		Allen Key	1
F		Sticker	4



step 1



step 2

