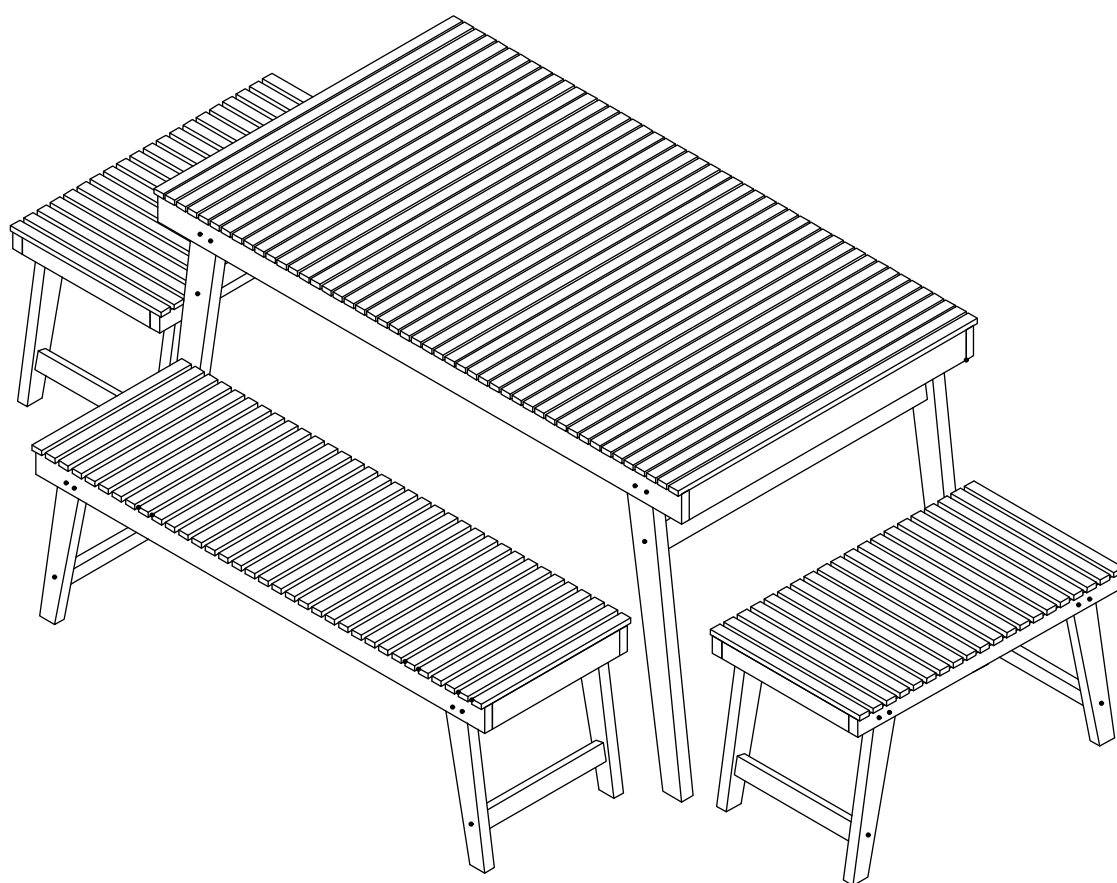


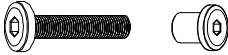


# ASSEMBLY INSTRUCTIONS: 12540082/01



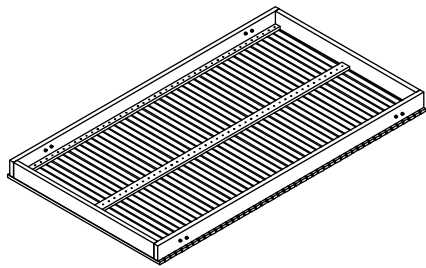
XXXLutz KG  
Roemerstrasse 39  
AT-4600 Wels, Austria



# ASSEMBLY INSTRUCTIONS: 12540082/01

No	Name of hardware	Fix	Qty
1	Bolt M6x35 mm		8
2	Screw M6x55 mm		4
3	Allen Key		1

A x1



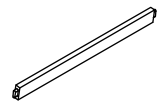
B x2



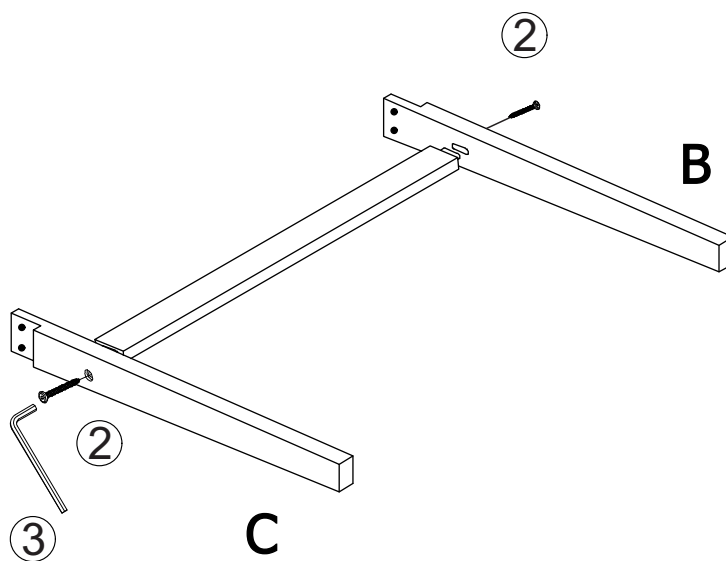
C x2



D x2



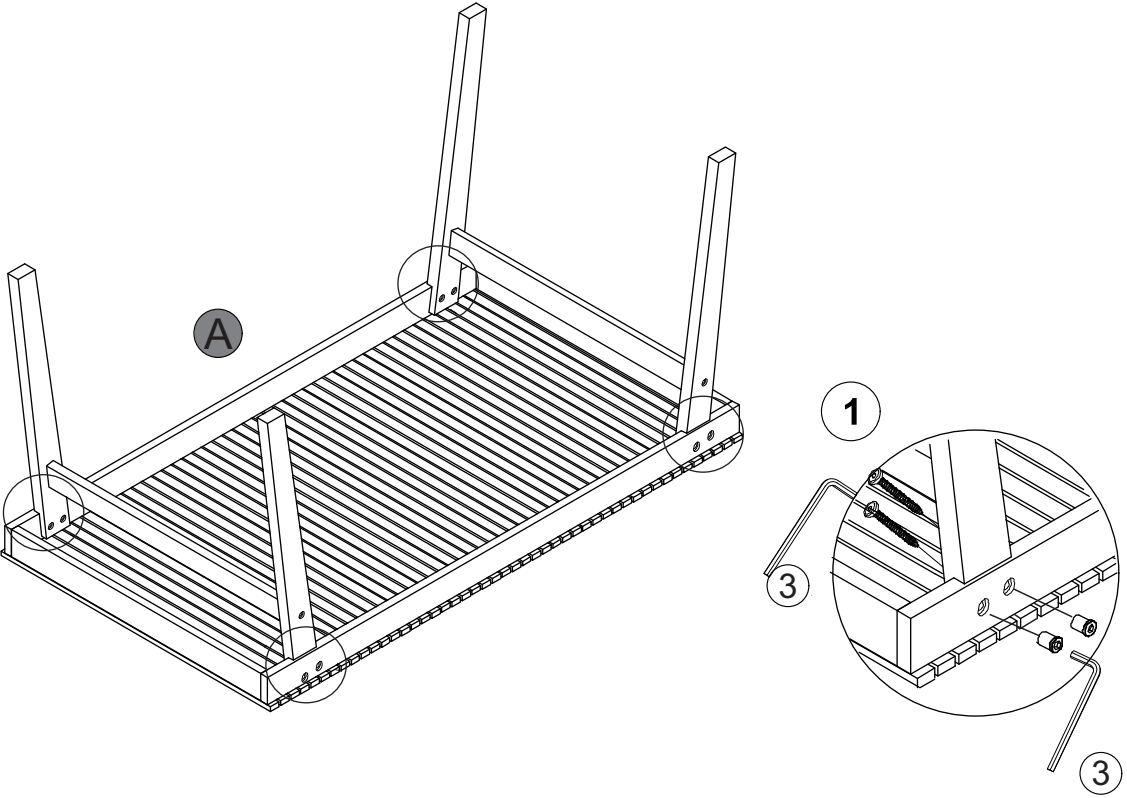
Step 1:



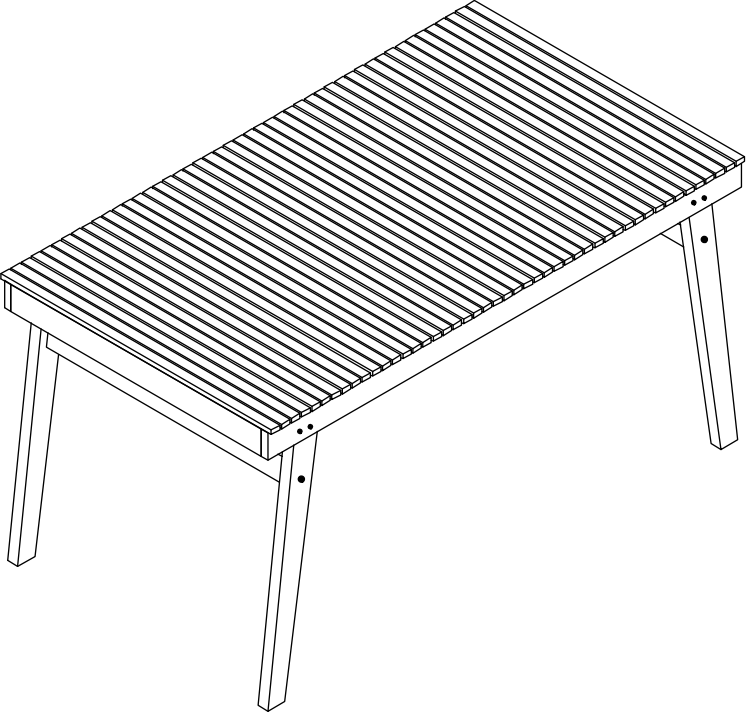
**x2**

# ASSEMBLY INSTRUCTIONS: 12540082/01




## Step 2:



## Step 3:



# ASSEMBLY INSTRUCTIONS: 12540082/01

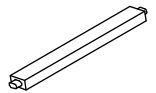
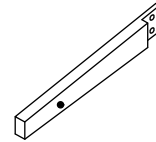
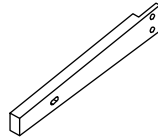
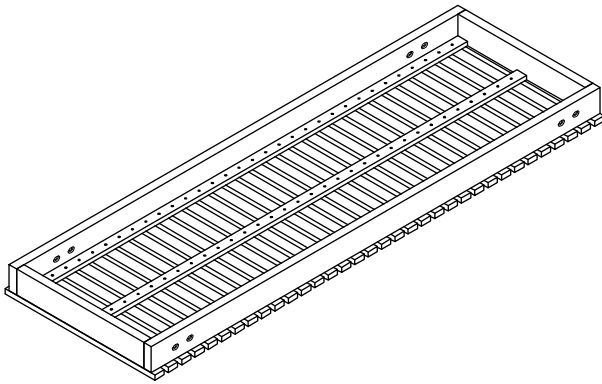
No	Name of hardware	Fix	Qty
1	Bolt M6x25 mm		8
2	Screw M6x55 mm		4
3	Allen Key		1

A x1

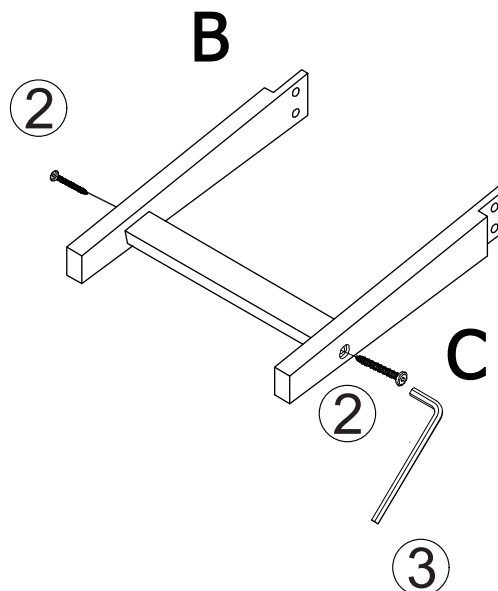
B x2

C x2

D x2



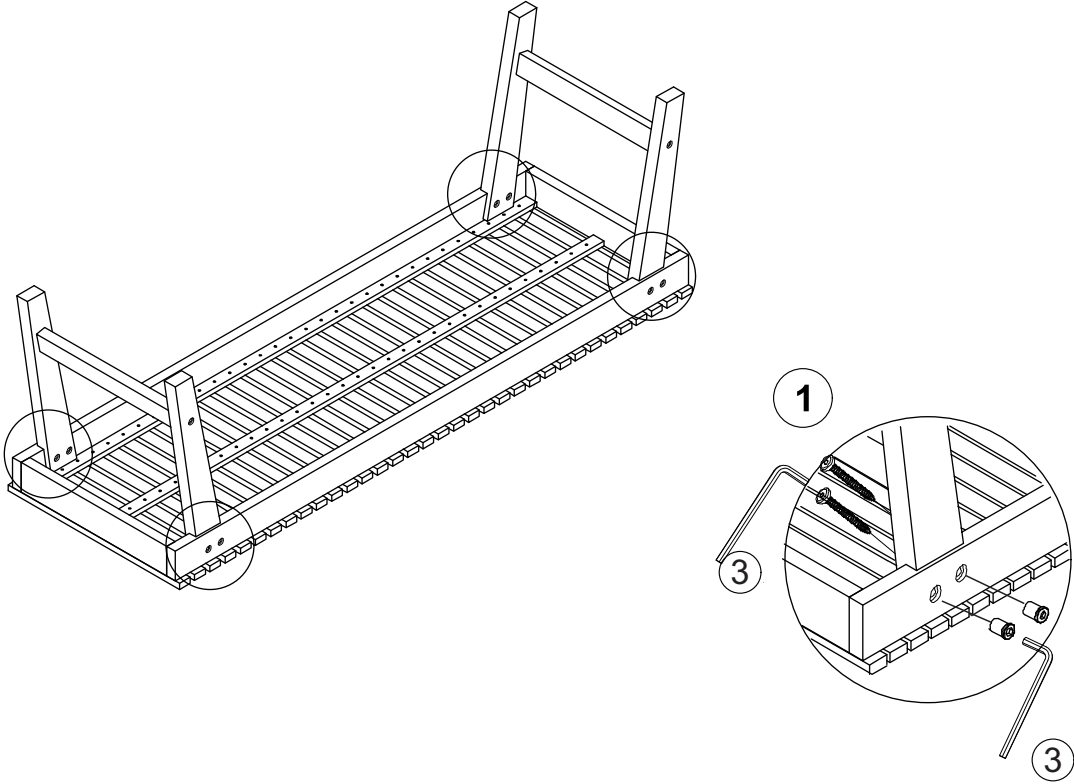
Step 1:



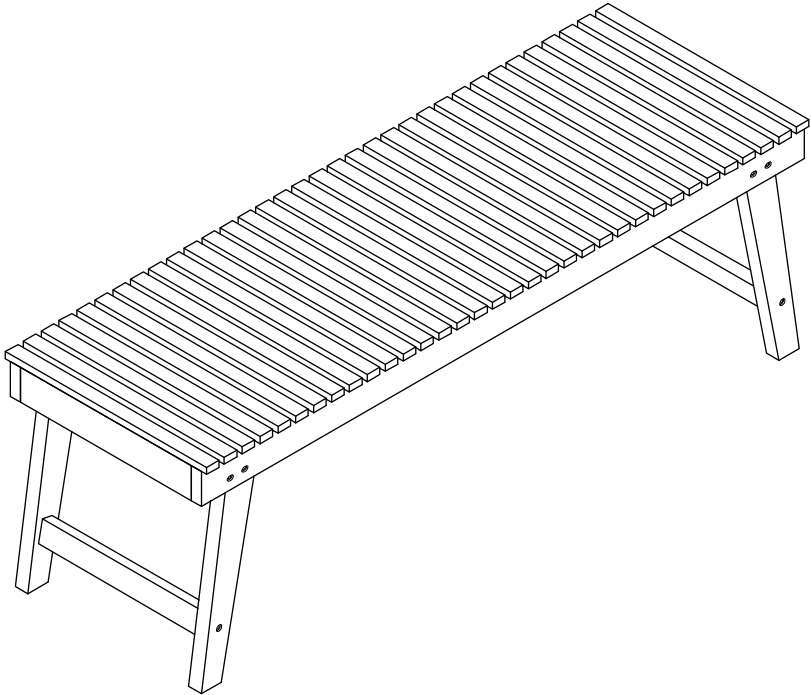
**x2**

# ASSEMBLY INSTRUCTIONS: 12540082/01




## Step 2:



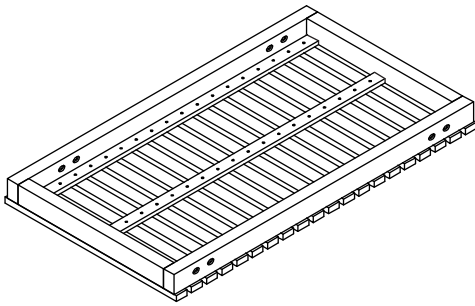
## Step 3:



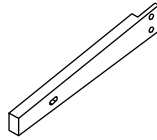
# ASSEMBLY INSTRUCTIONS: 12540082/01

No	Name of hardware	Fix	Qty
1	Bolt M6x25 mm		8
2	Screw M6x55 mm		4
3	Allen Key		1

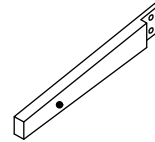
A x1



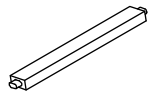
B x2



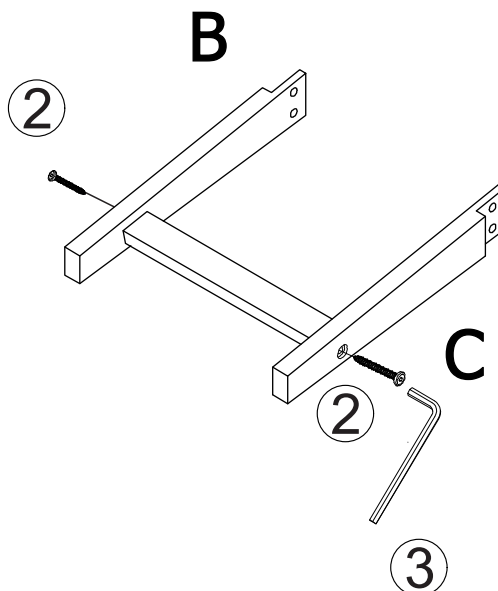
C x2



D x2



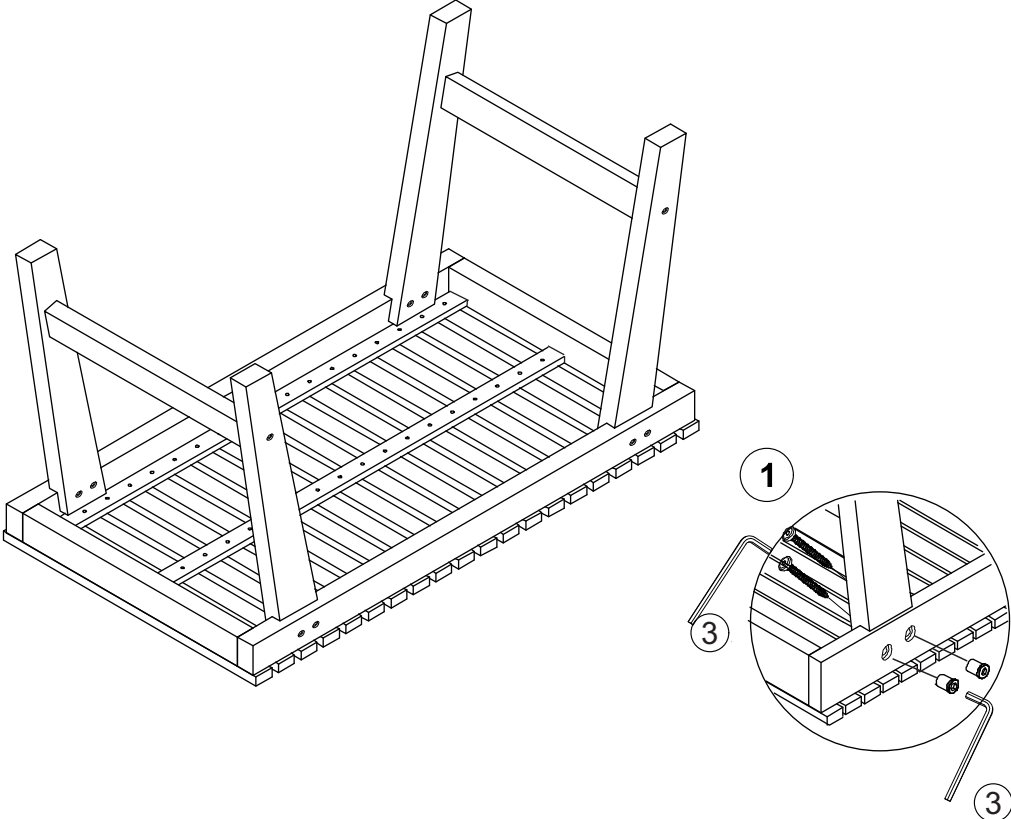
Step 1:



**x2**

# ASSEMBLY INSTRUCTIONS: 12540082/01

## Step 2:



## Step 3:

