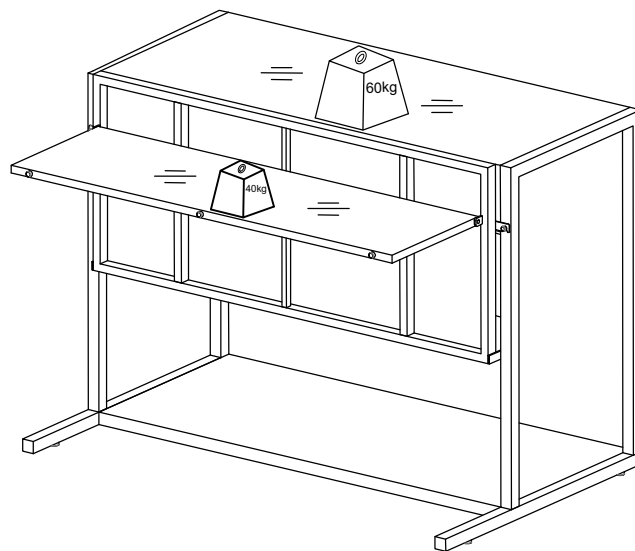
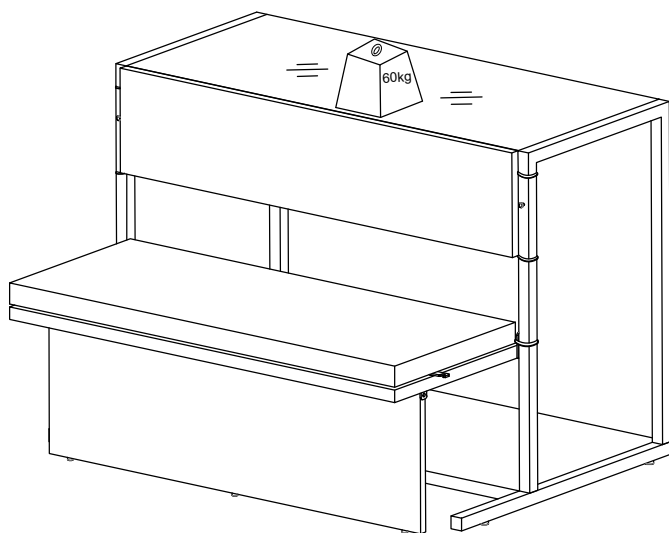
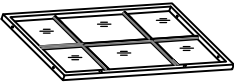
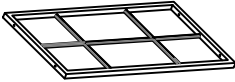

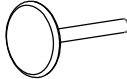
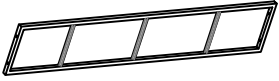

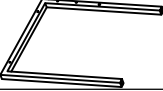
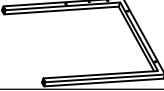
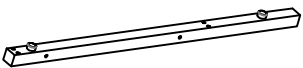
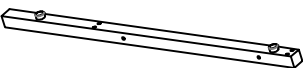
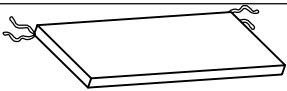
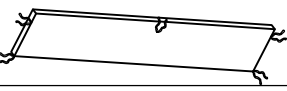







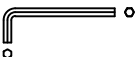
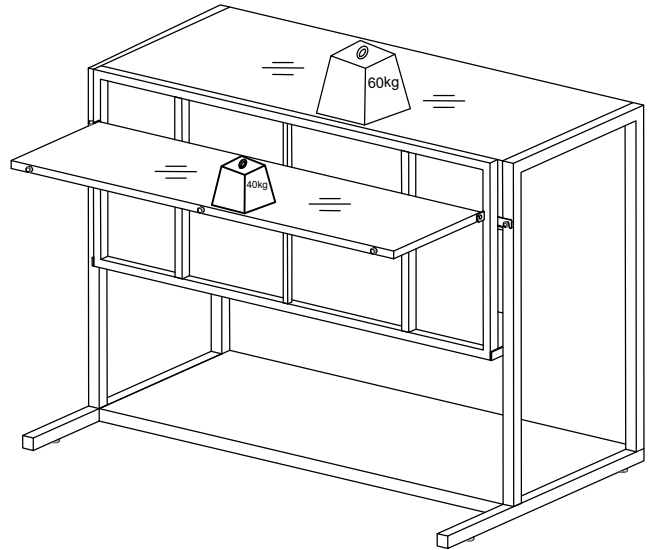
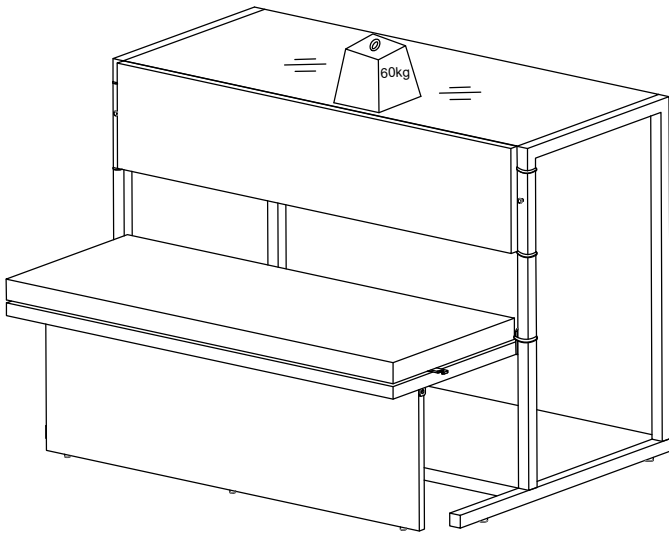


03560007/01



A		1PC	B		1PC
C		1PC	D	 M6*40L	2PCS
E		1PC	F		1PC
G		1PC	H		1PC
I		1PC	J		1PC
K		1PC	L		1PC
M	 4MM	4PCS	N		26PCS
O	 M6*45L	16PCS	P	 M6*25L	4PCS
Q	 M6*35L	4PCS	R	 16MM	2PCS
S	 M6*50L	2PCS	T		1PC

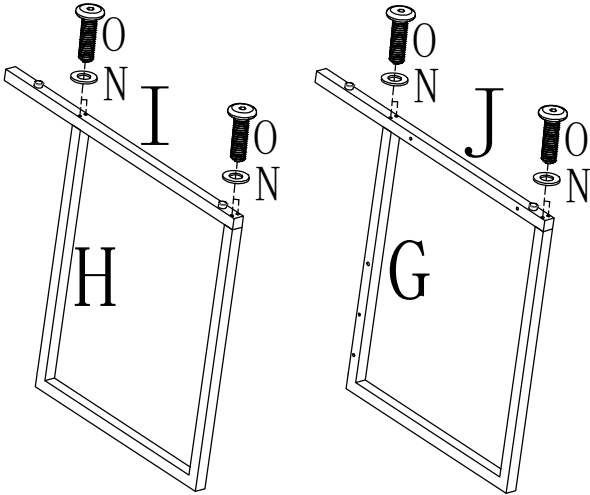
03560007/02



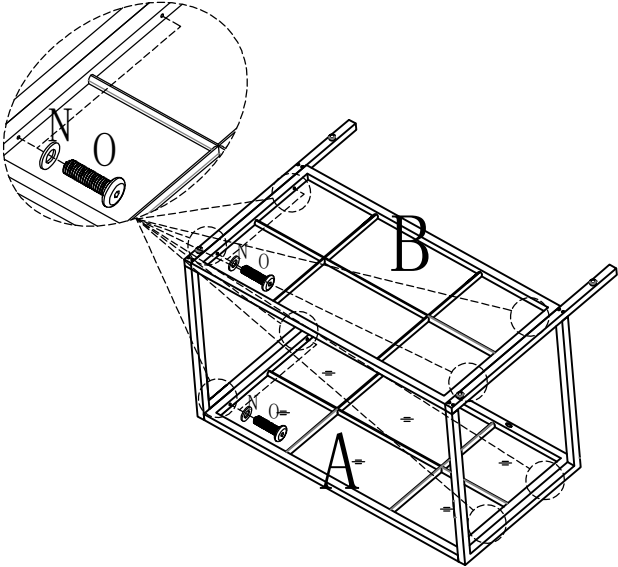
A		1PC	B		1PC
C		1PC	D	M6*40L	2PCS
E		1PC	F		1PC
G		1PC	H		1PC
I		1PC	J		1PC
K		1PC	L		1PC
M	4MM	4PCS	N		26PCS
O	M6*45L	16PCS	P	M6*25L	4PCS
Q	M6*35L	4PCS	R	16MM	2PCS
S	M6*50L	2PCS	T		1PC

ASSEMBLY INSTRUCTION

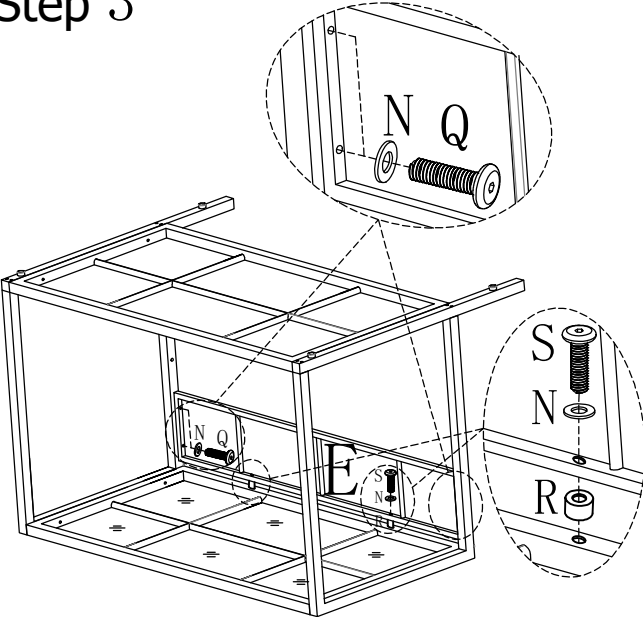
Step 1



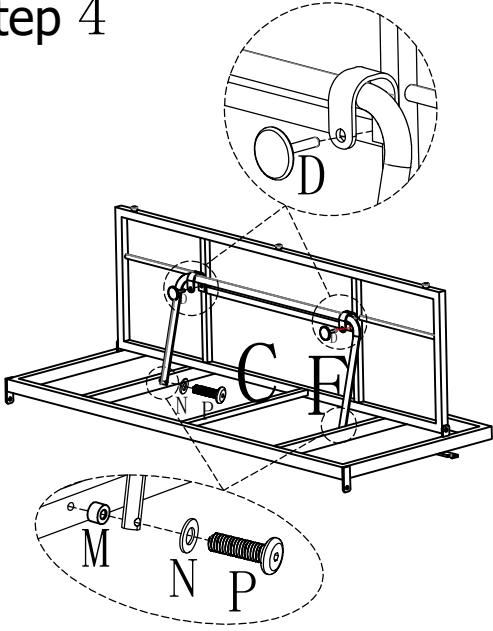
Step 2



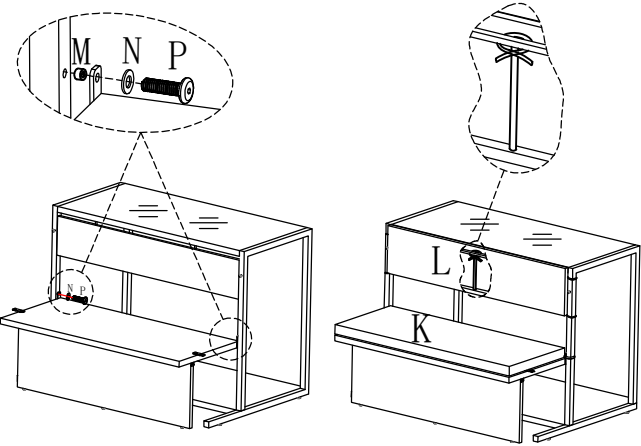
Step 3



Step 4



Step 5



Step 6

