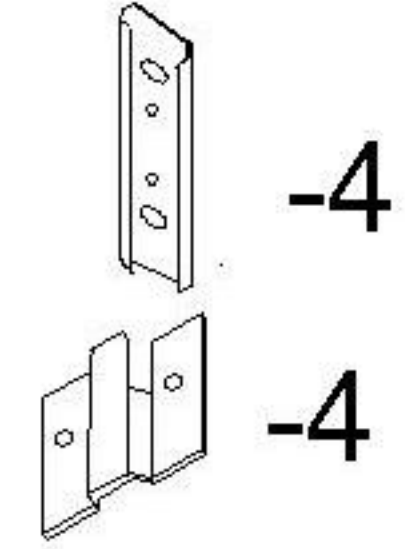
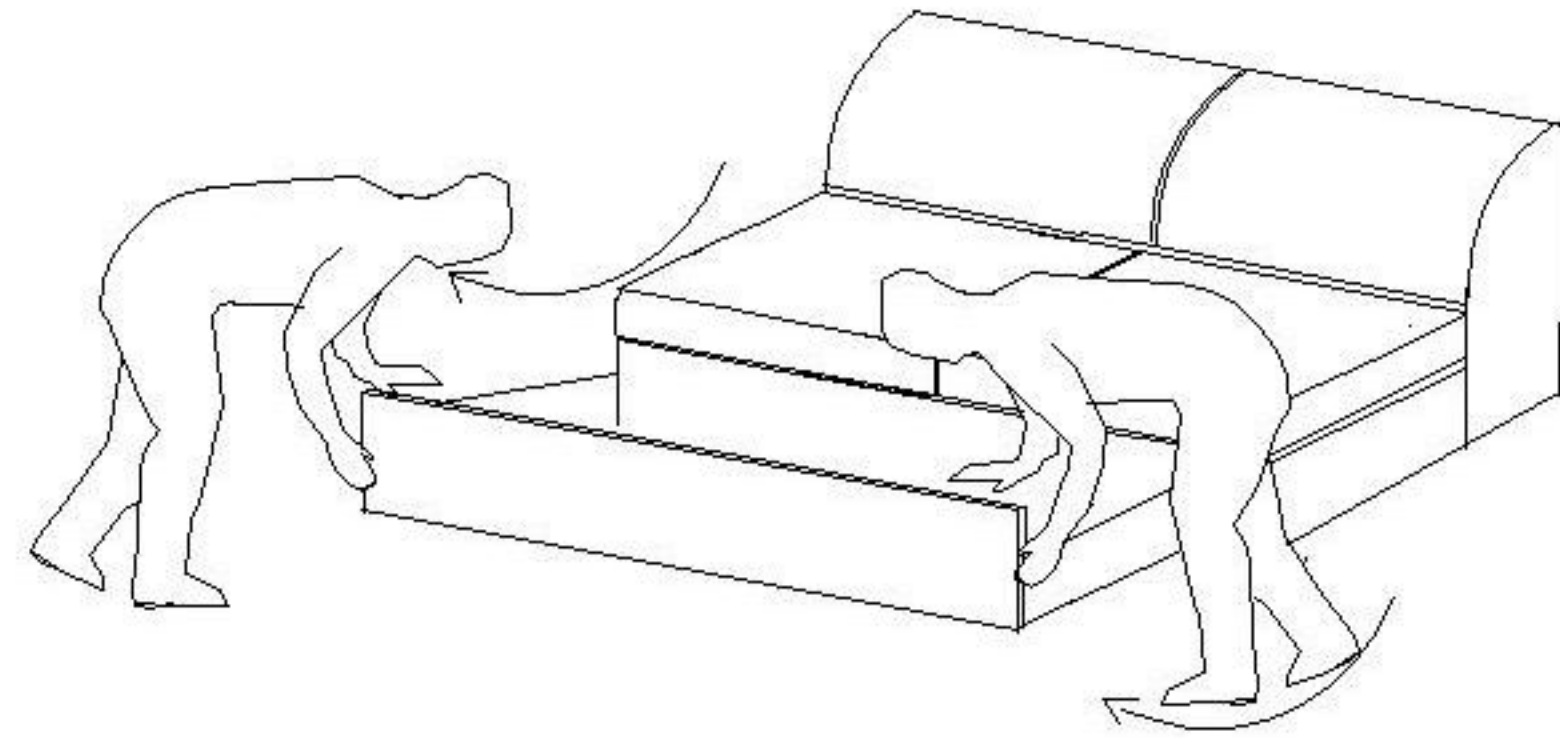
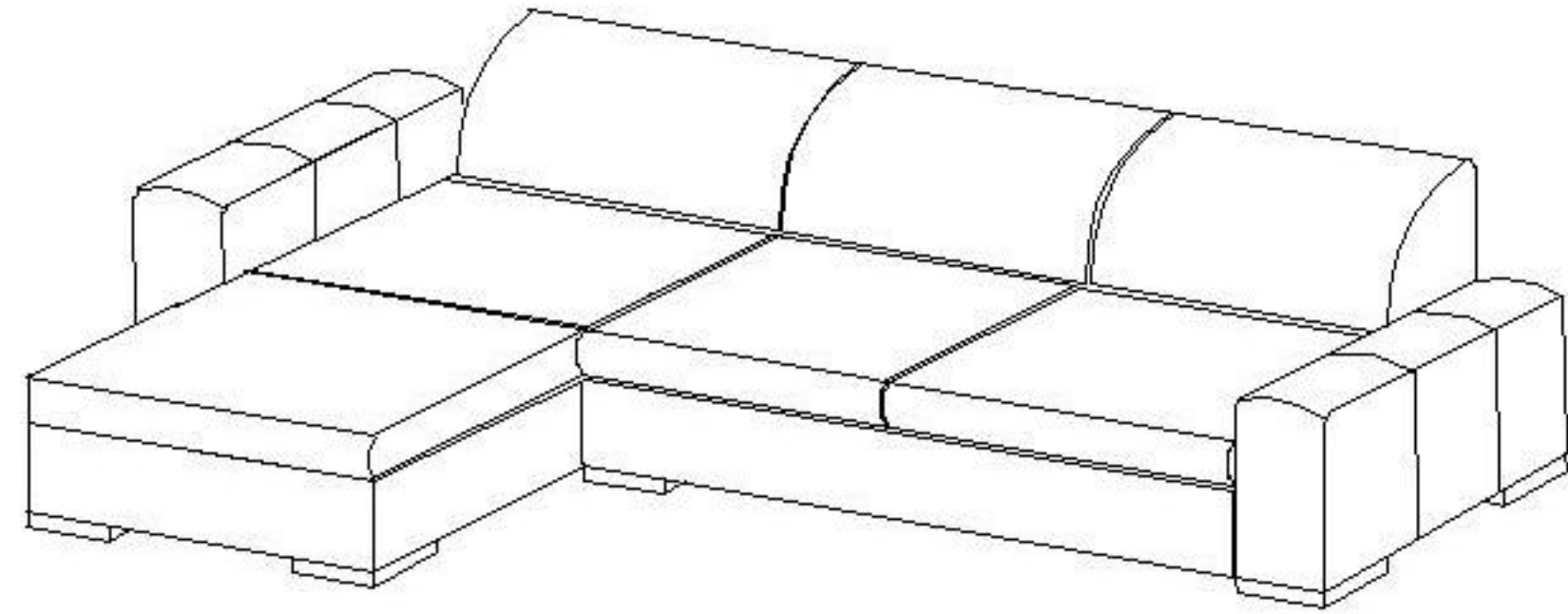


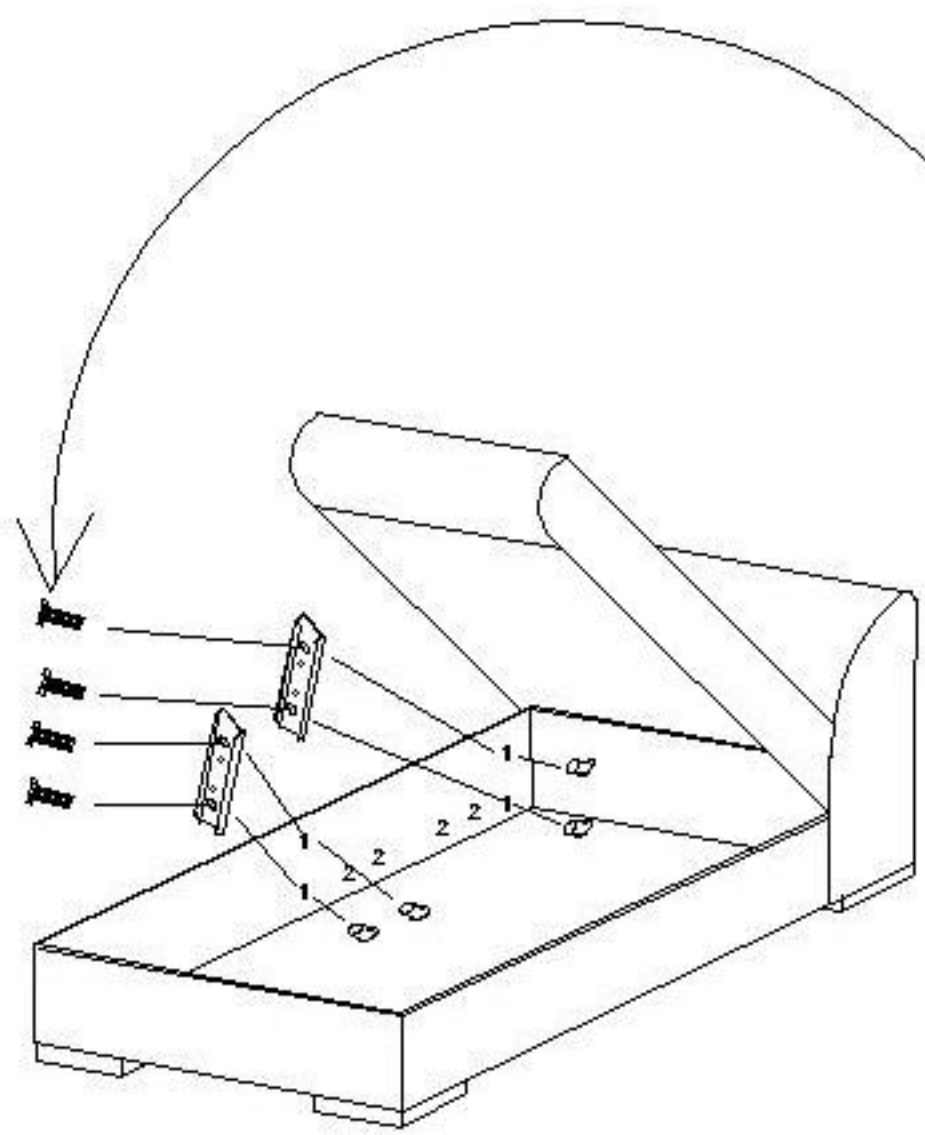
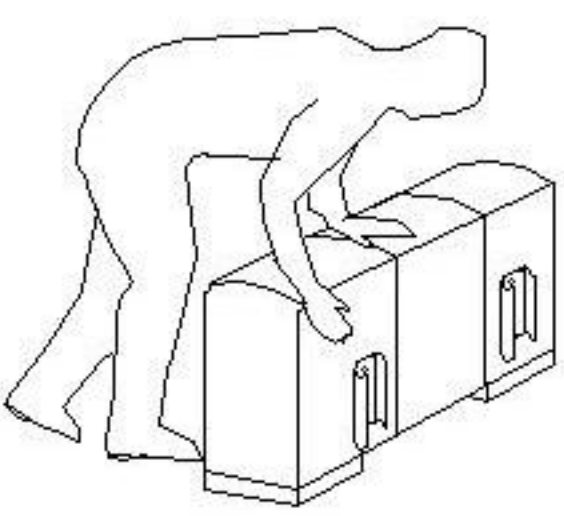
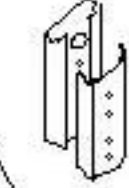
# FULTON

R

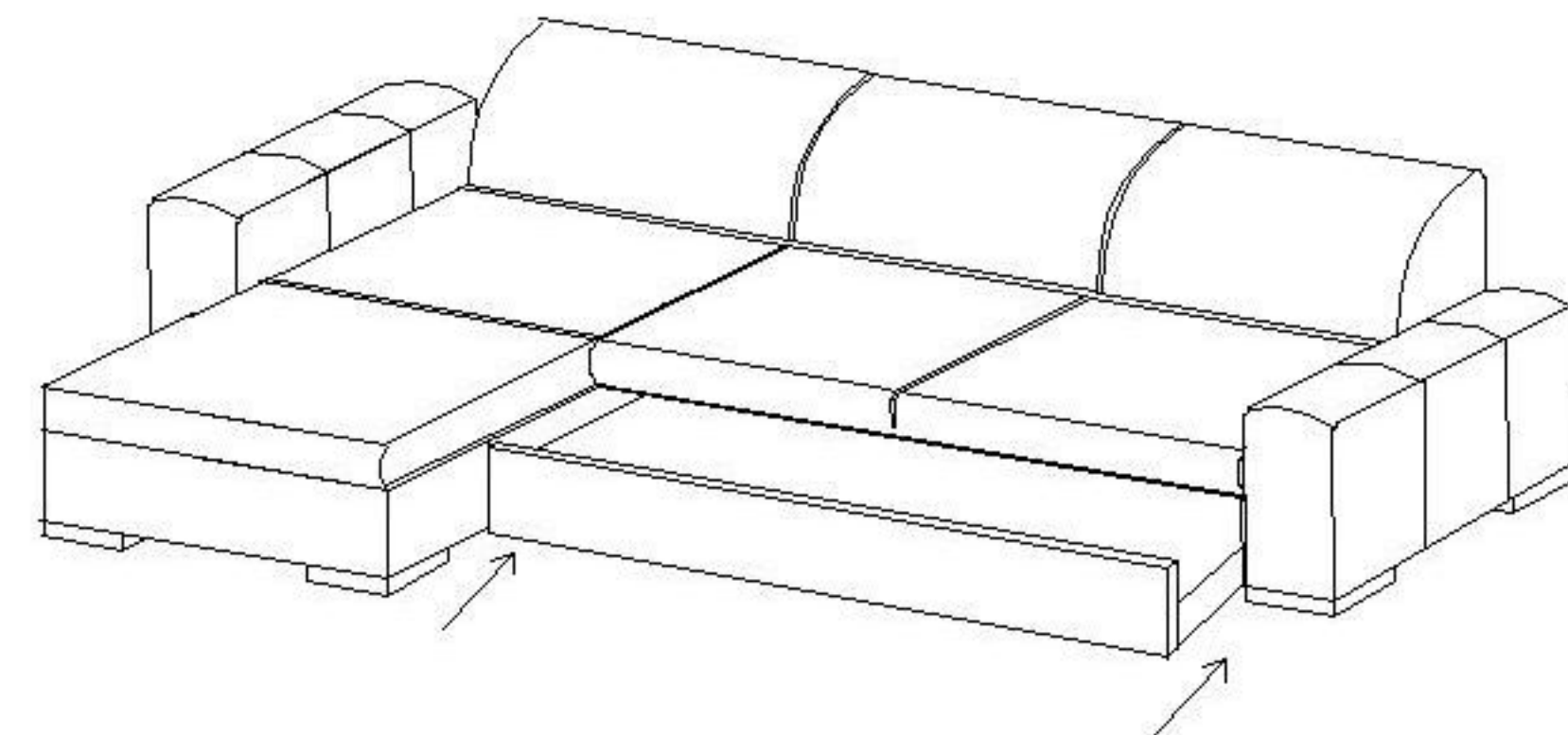
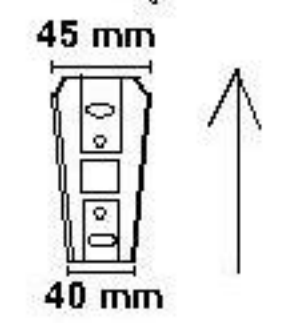
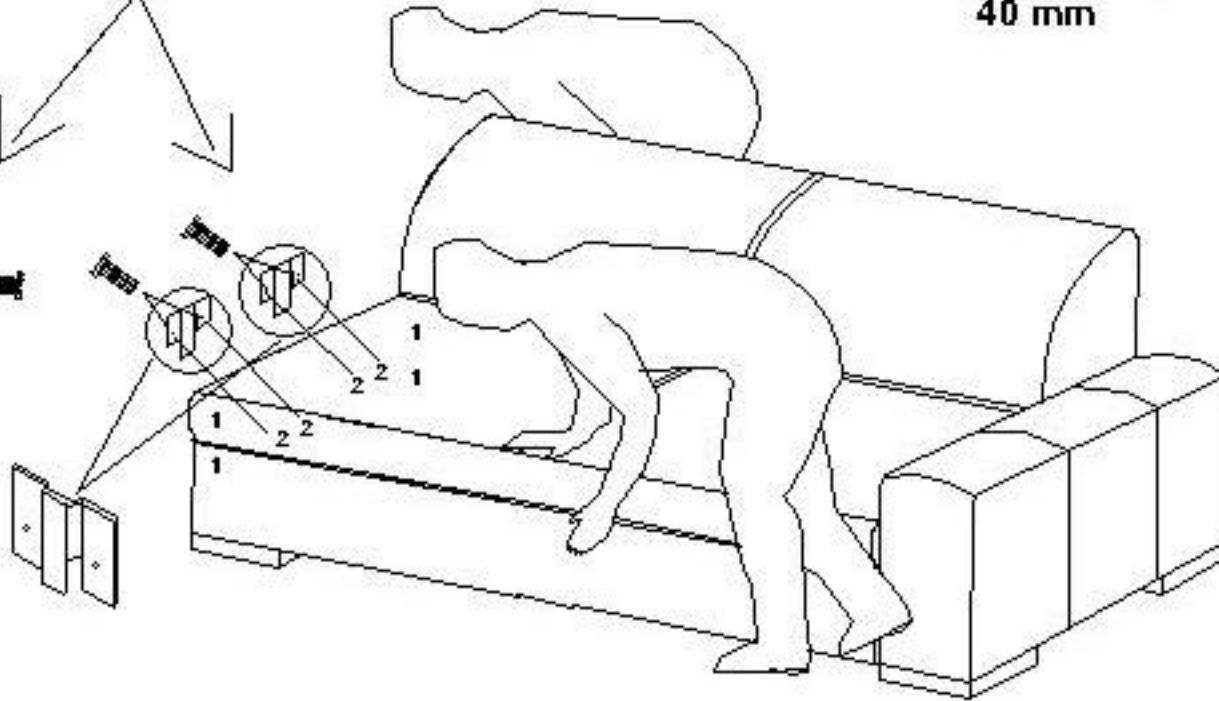
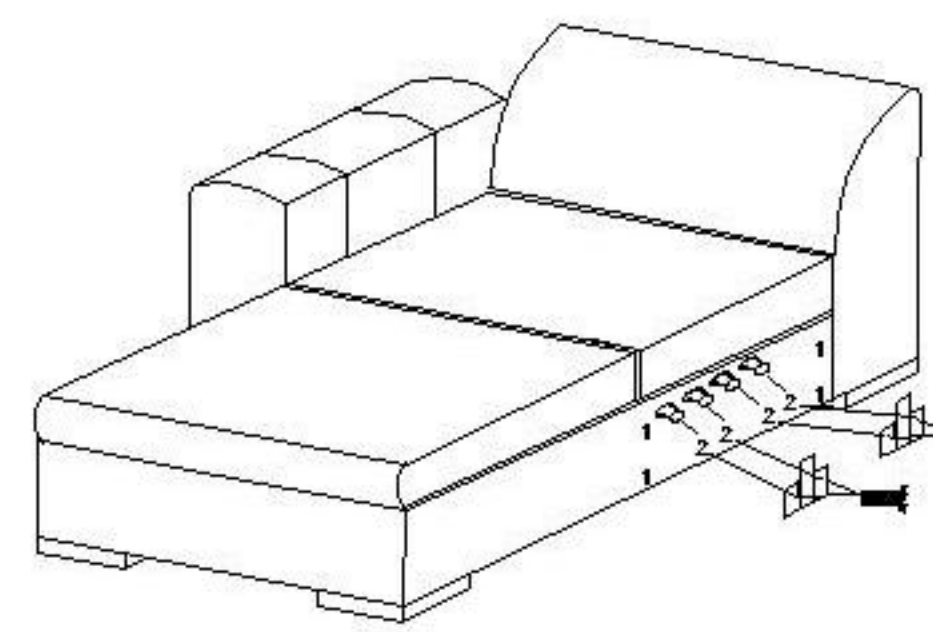


M6 -16  
M6x20 -16

NO. 1

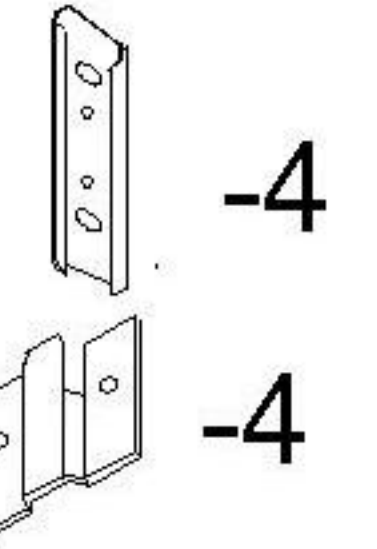
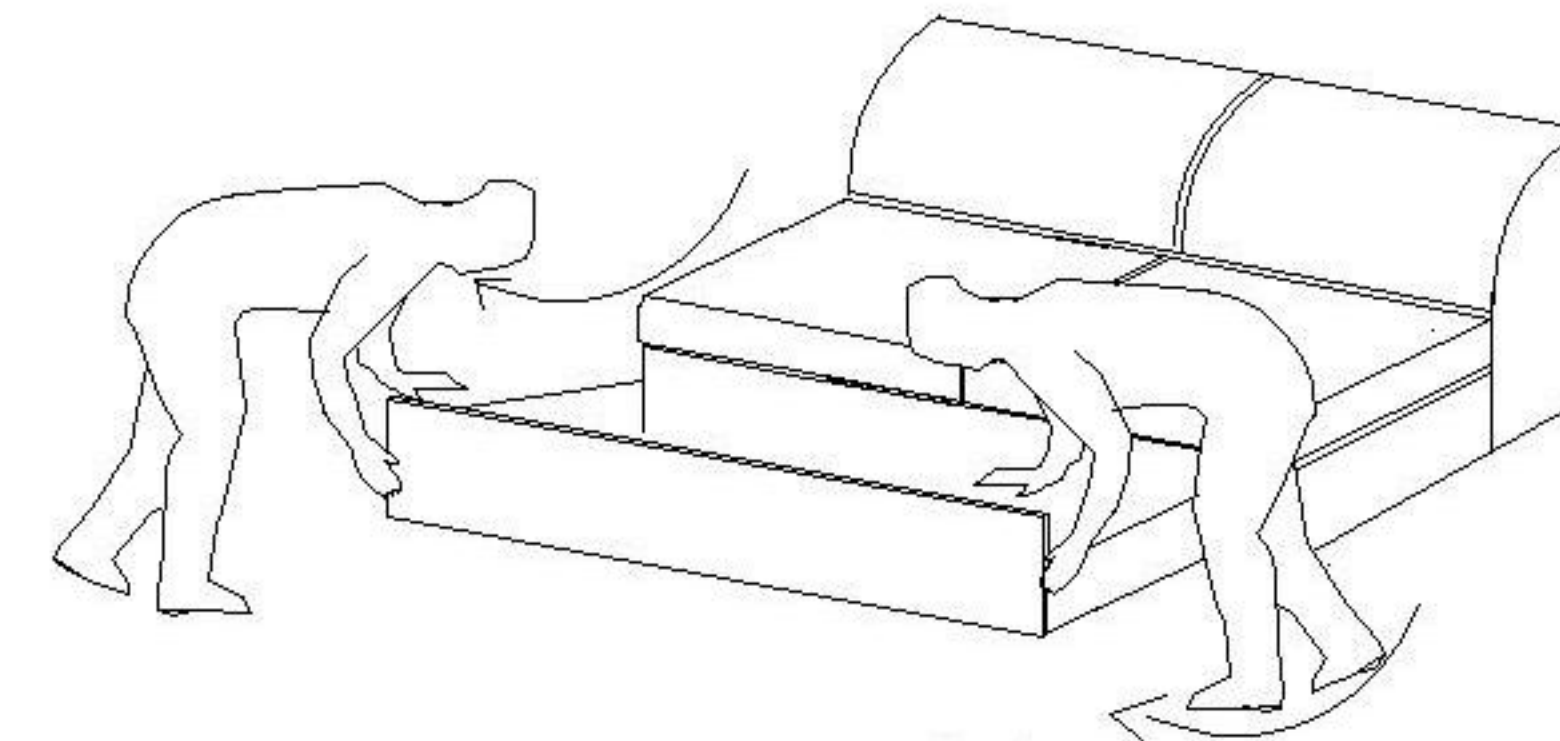
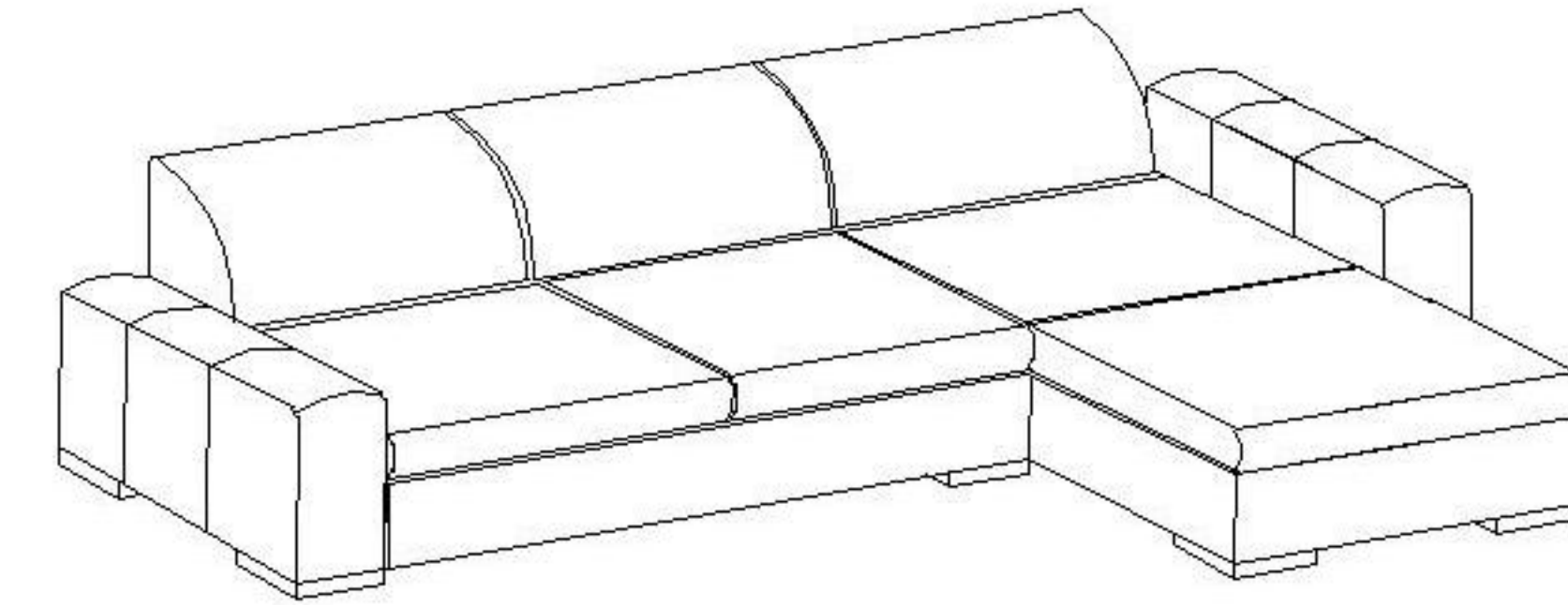


NO. 2



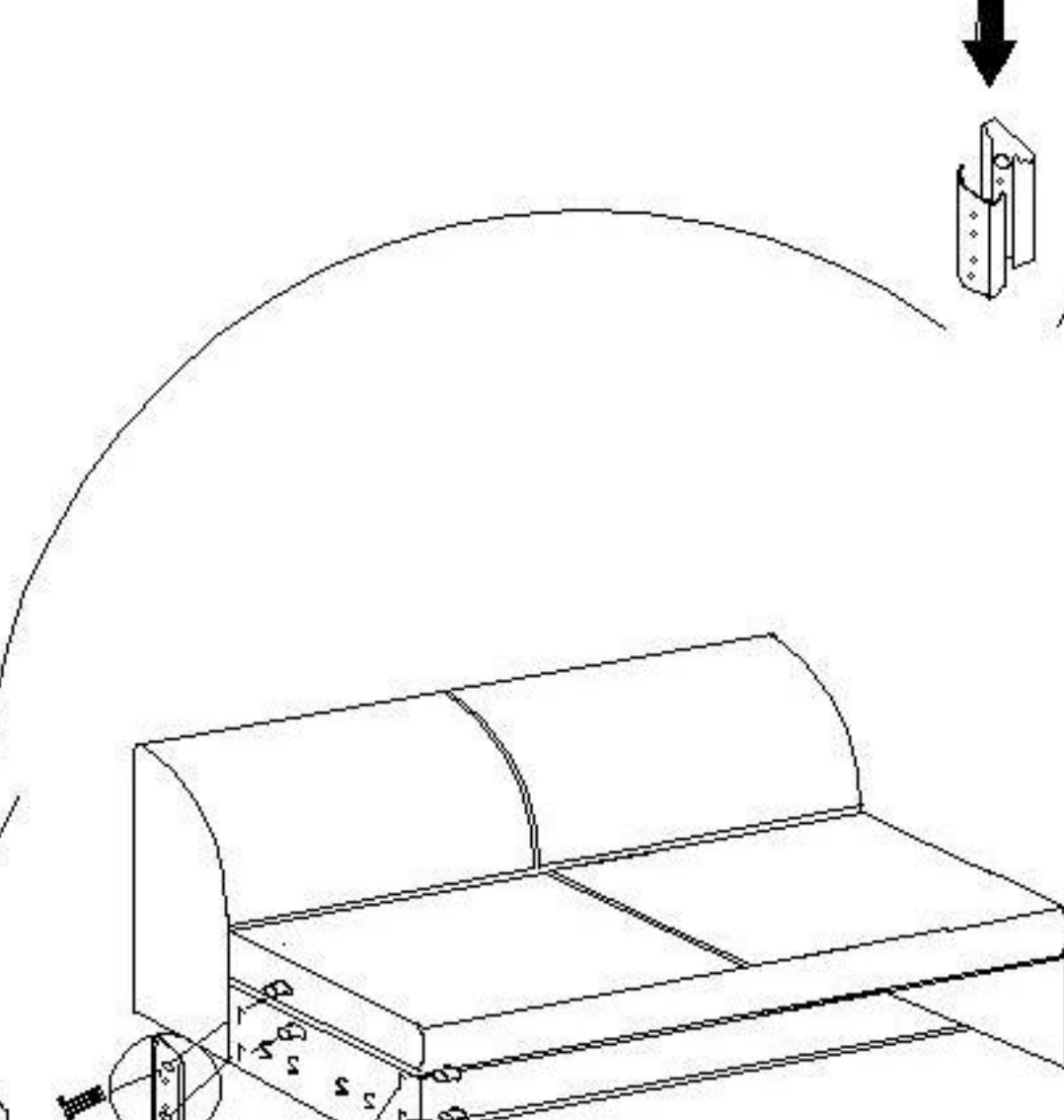
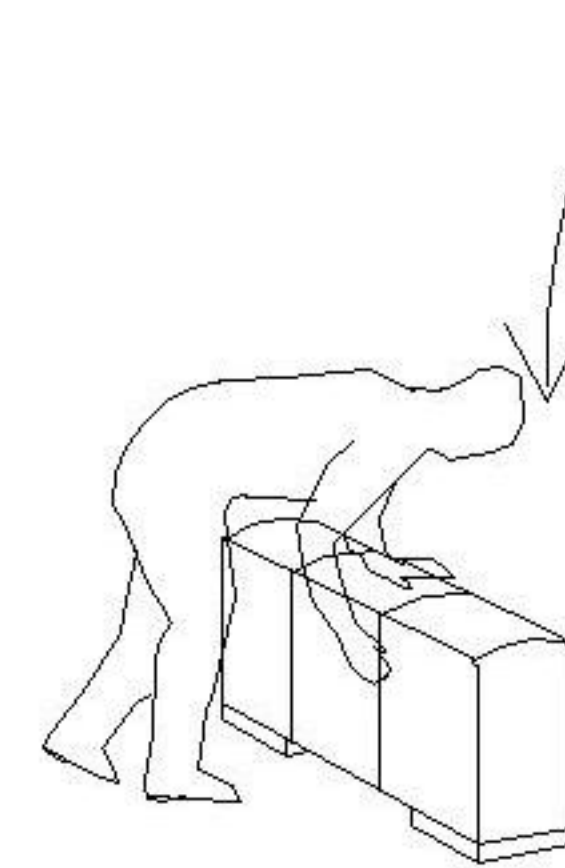
# FULTON

L



M6 -16  
M6x20 -16

NO. 1



NO. 2

