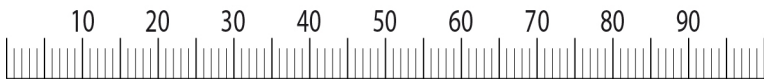


13

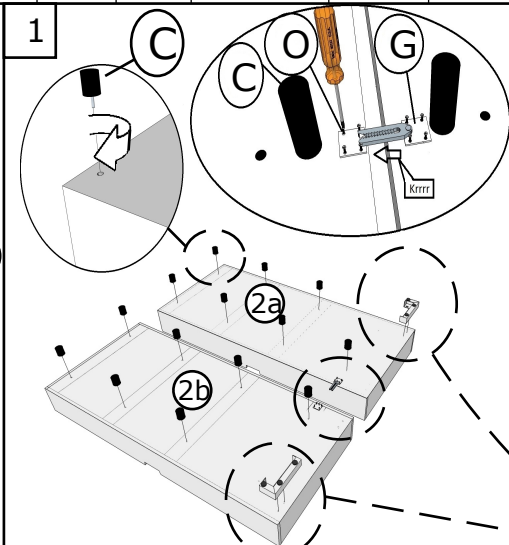
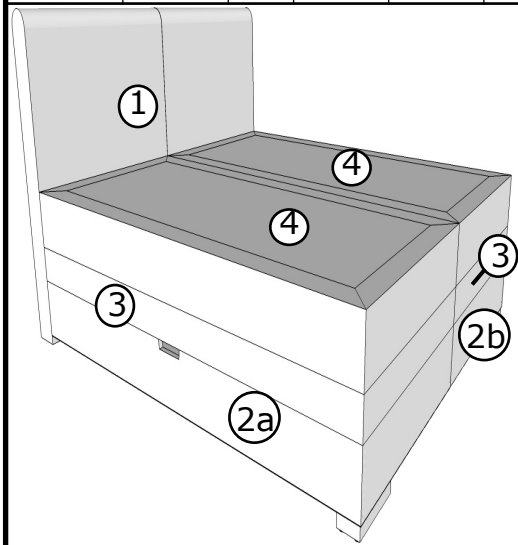
60min.

ALEXANDRA art.no.20150025/01

BOXSPRING WITH STORAGE 180X200



| A | B | C | D | E | F | G | H | I | J | K | L | M | N | O | P |
|----|----|-----|----|-----|-----|----|----|----|----|----|----|----|----|----|----|
| | | | | | | | | | | | | | | | |
| 1x | 1x | 14x | 6x | 16x | 22x | 1x | 8x | 2x | 8x | 4x | 8x | 8x | 8x | 8x | 1x |



| COLLI | DESCRIPTION | MARK |
|-------|---------------------|------|
| 1 | HEADBOARD | 1 |
| 2 | BOXSPRING | 3 |
| 3 | BOXSPRING | 3 |
| 4 | STORAGE WITH TOPPER | 2a |
| 5 | STORAGE | 2b |
| 6 | MATTRESS | 4 |
| 7 | MATTRESS | 4 |

COLLI 8 (FITTINGS) IS INCLUDED INTO COLLI 1 (HEADBOARD)

