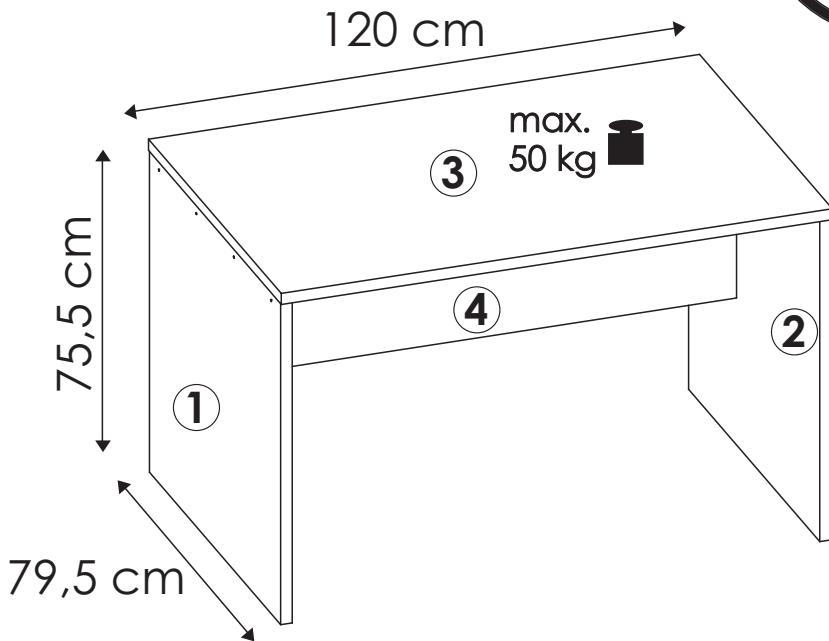
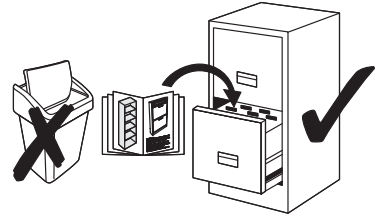
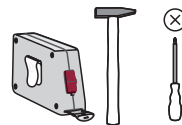
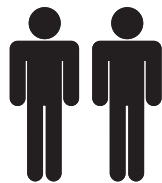
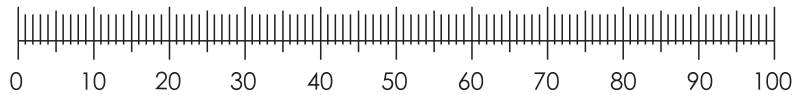


1803

PROFI PFB01

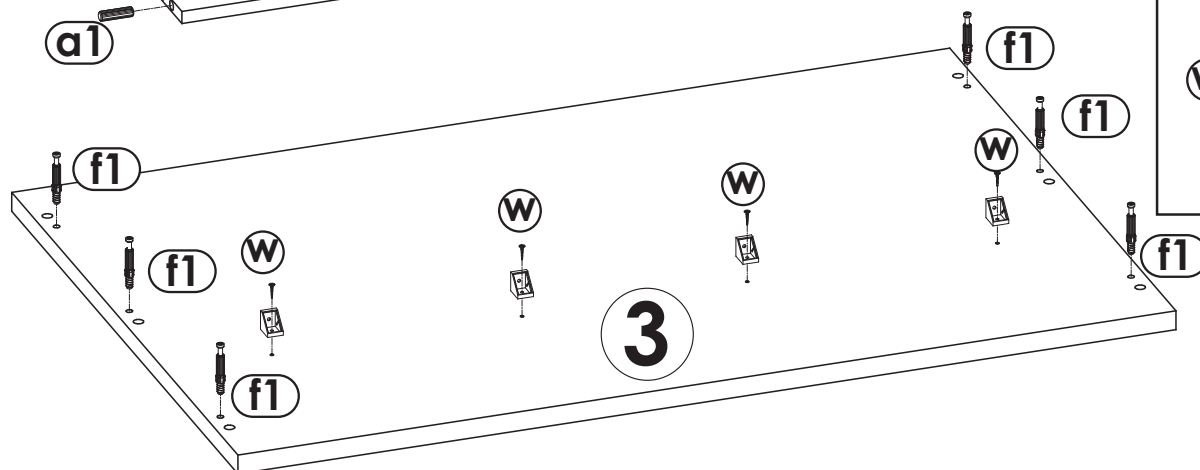
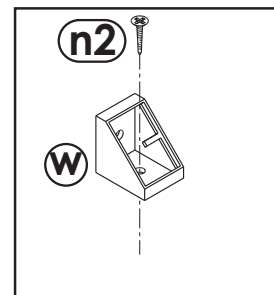
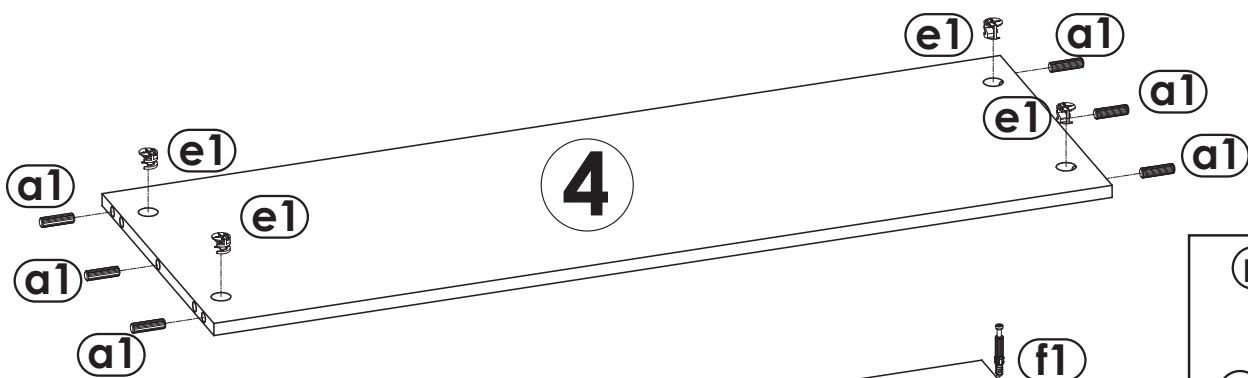
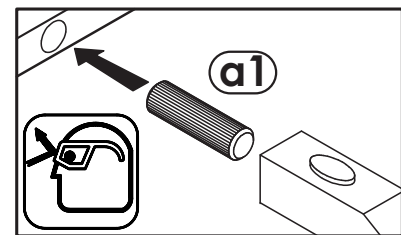
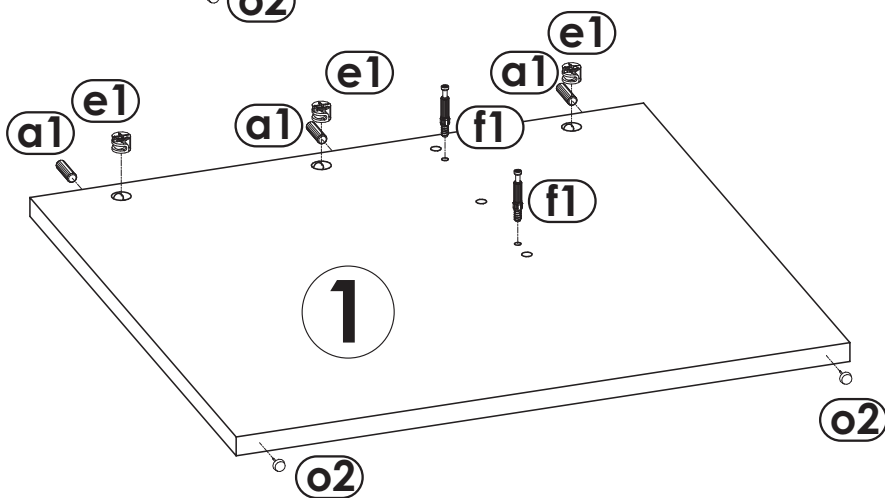
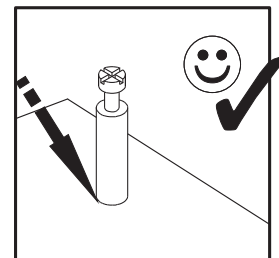
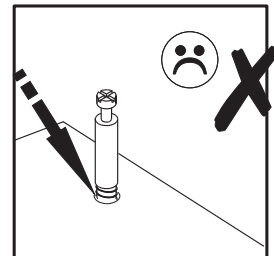
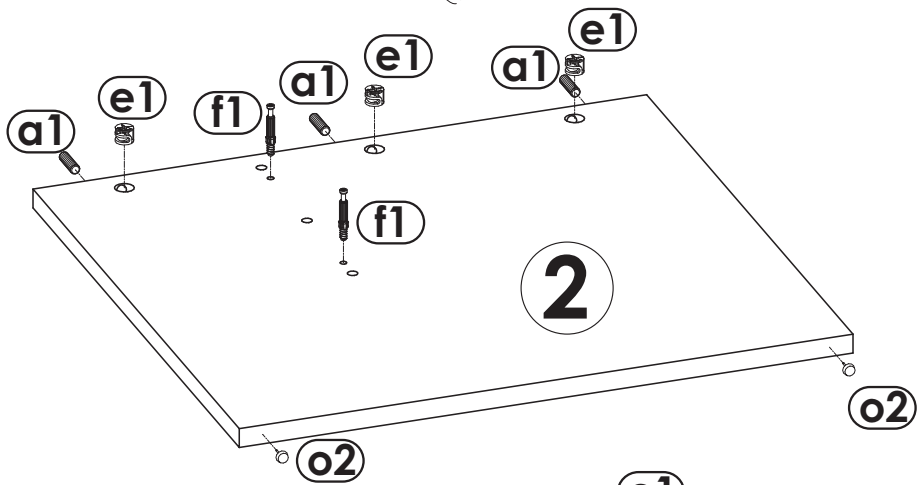
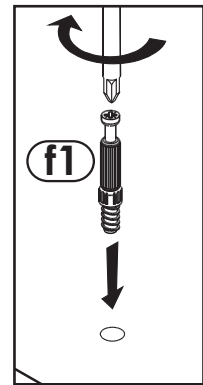
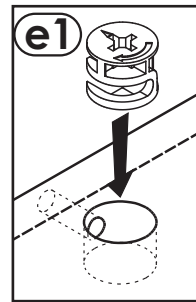
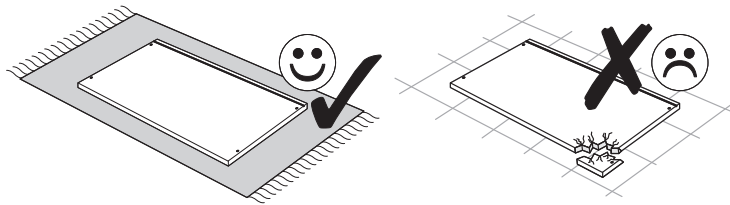


a1 8x35 x....(x12)	e0 x....(x10)	e1 x....(x10)	f1 x..(x10)
m x....(x1)	n2 3,5x16 x....(x8)	o2 x....(x4)	w x....(x4)
z x....(x1)			

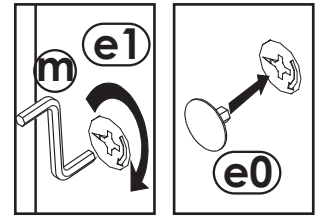
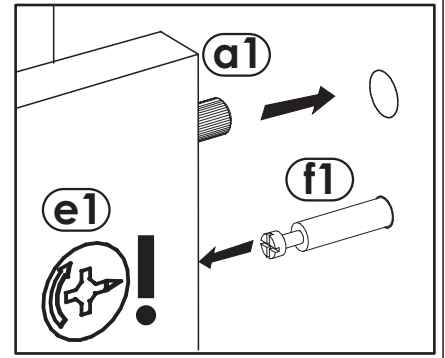
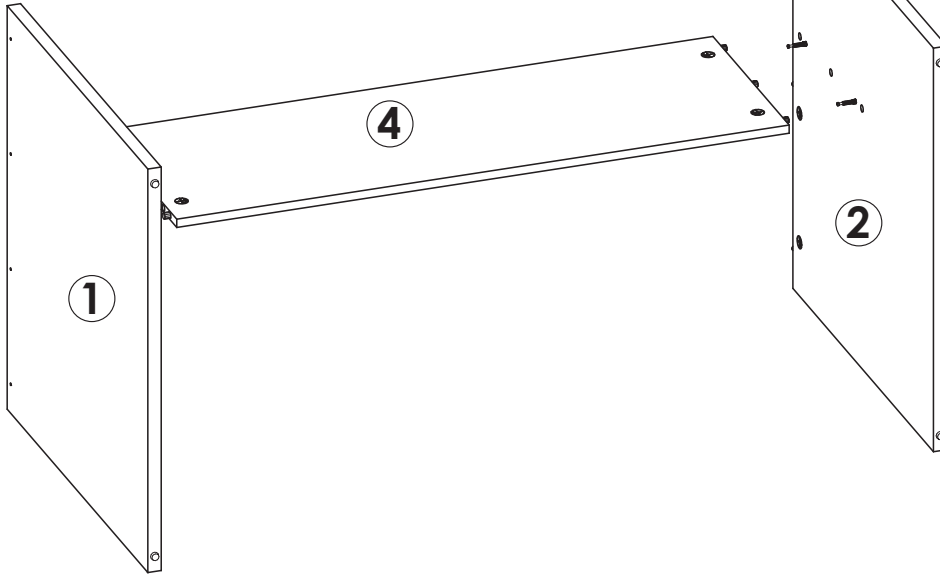
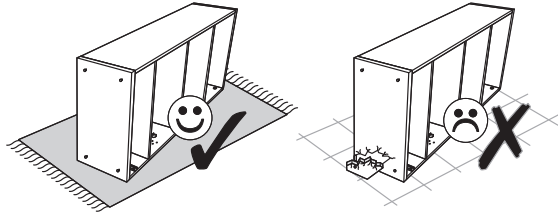


- 30 min.

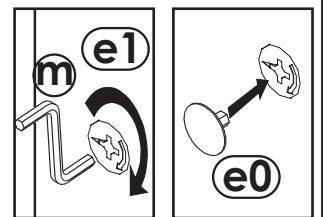
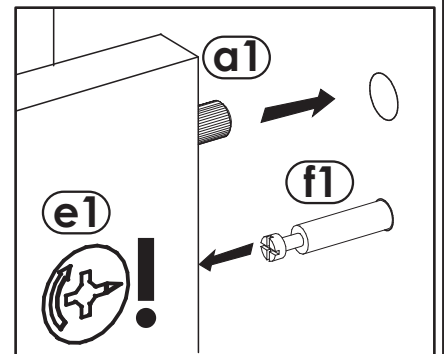
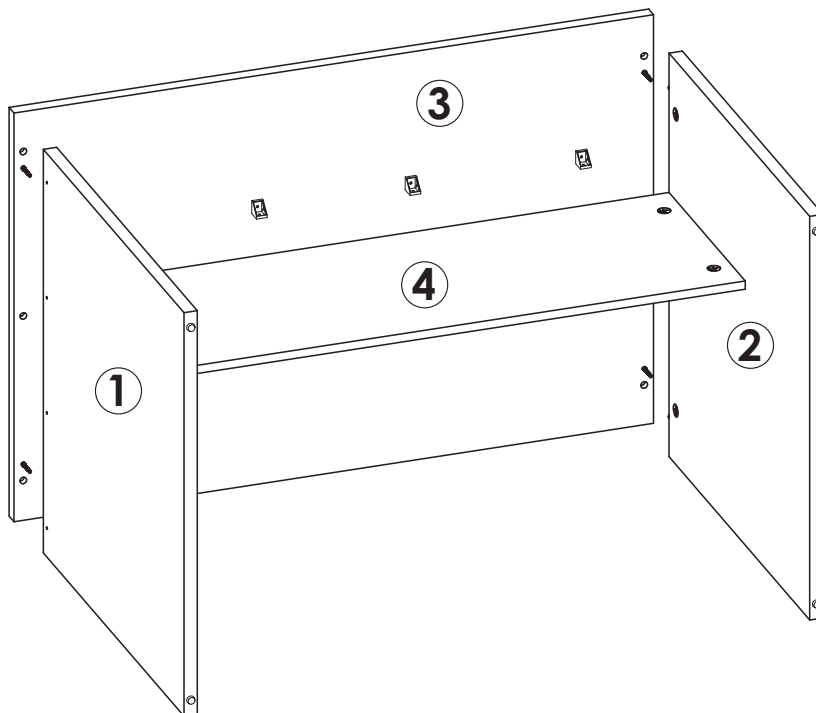
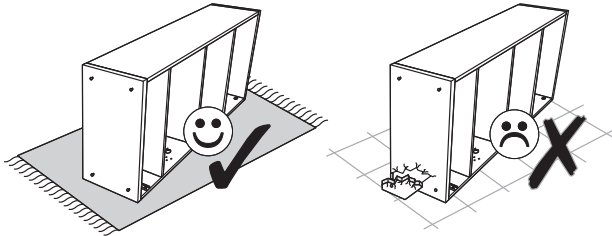
1



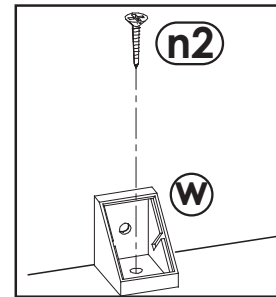
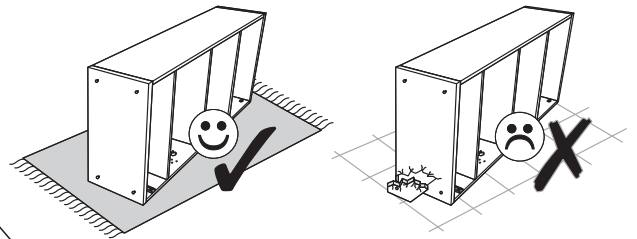
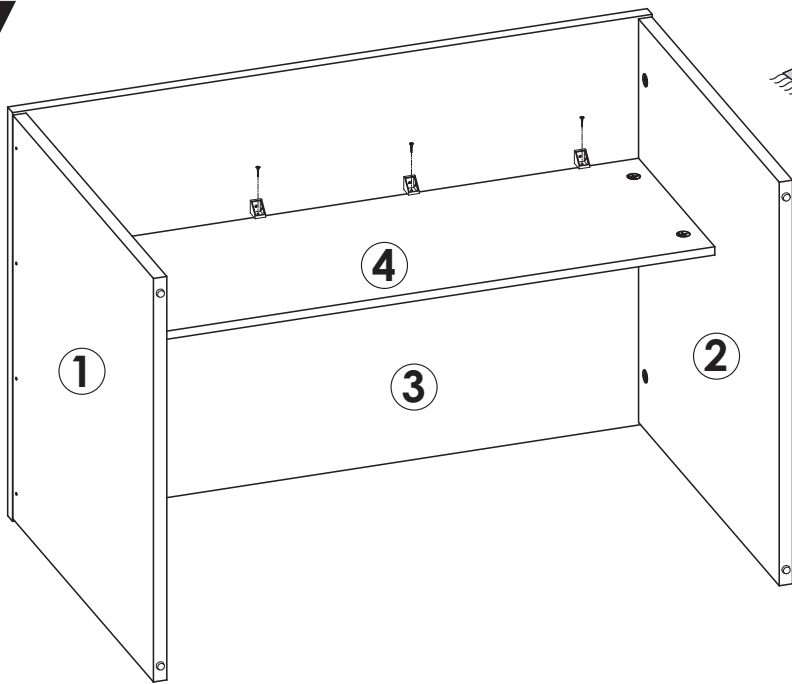
2



3



4



5

