

SAFADO / MARLEEN

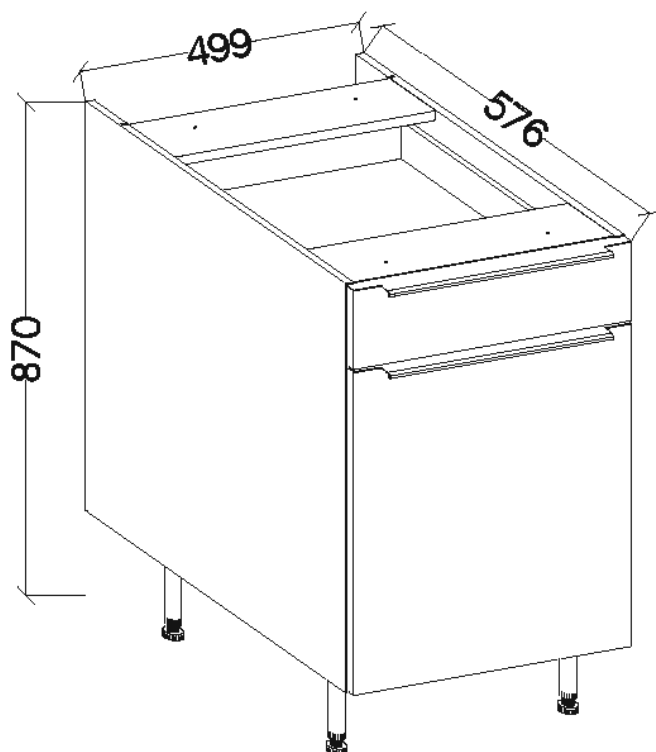
84-170-...






84-176-...

84-17A-...











**respekta®**

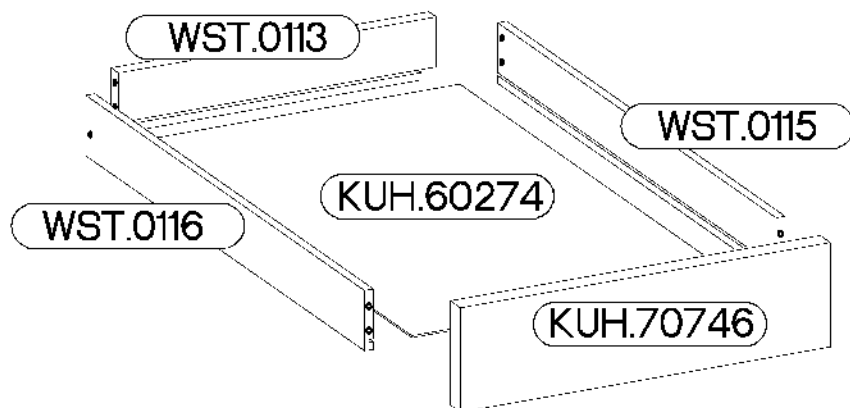
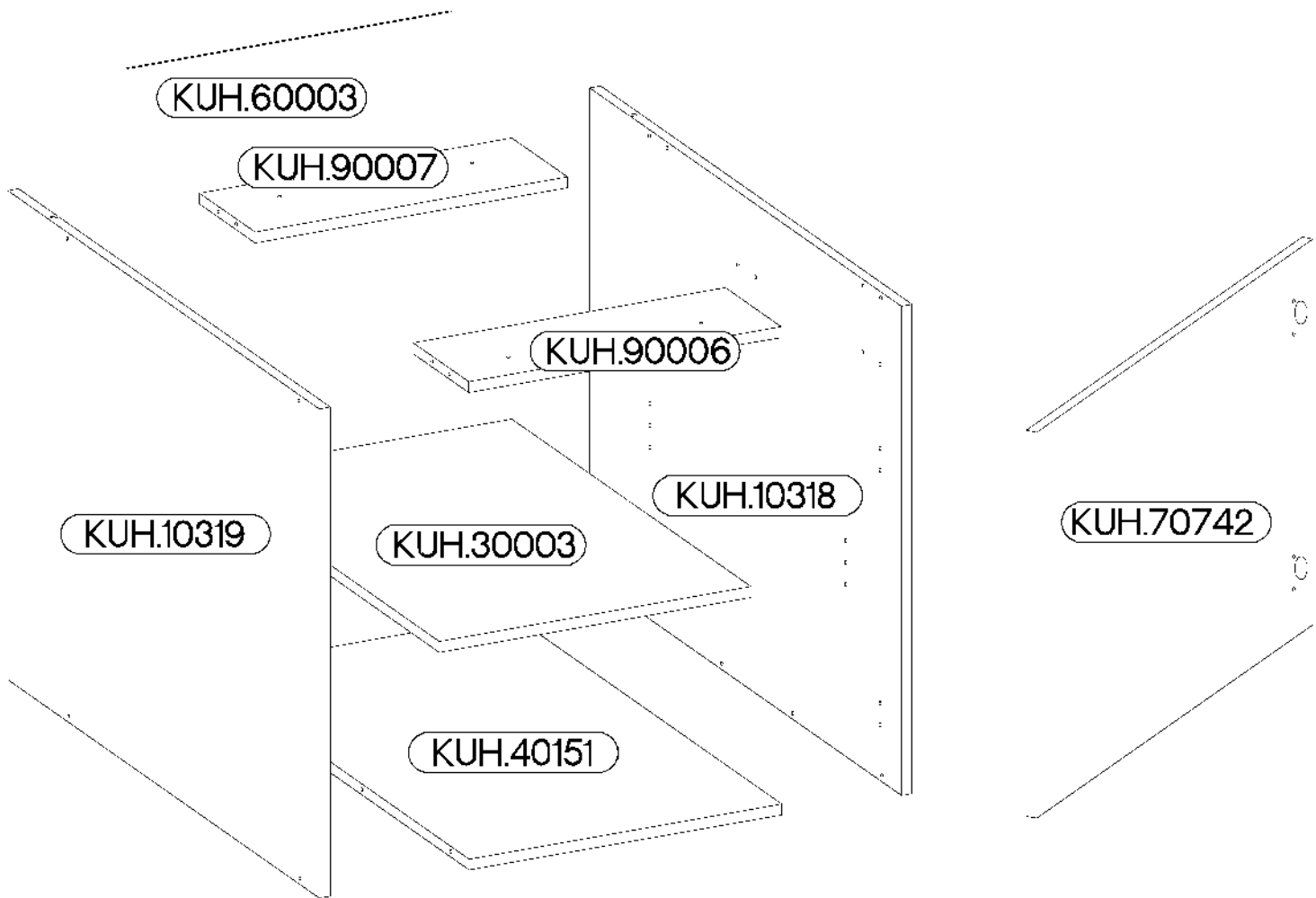


|  |  |  |   |   |
|--|--|--|---|---|
| <br>+8x30mm<br>A | <br>6,4 x 50mm<br>B | <br>+6x42mm<br>B2 | <br>+12/10mm<br>C5 | <br>L=20mm<br>D2 |
| 12   | 8  | 2  | 2   | 2   |

|  |  |  |  |  |  |   |
|--|--|--|--|--|--|---|
| <br>E1 | <br>F15 | <br>F16 | <br>+35/0mm<br>HG L=450mm | <br>L R<br>I1 | <br>+5/16mm<br>J3 | <br>L |
| 8  | 4  | 6  | 2  | 1  | 4  | 2   |

|   |  |   |  |  |   |  |   |
|---|--|---|--|--|---|--|---|
| <br>+6.3x13mm<br>M2 | <br>O | <br>O1 | <br>+3.5x13mm<br>P5 | <br>+3.0x20mm<br>P7 | <br>+3.0x16mm<br>P11 | <br>+4.0x35mm<br>R3 | <br>L=495mm<br>SL50 |
| 8   | 1  | 1   | 32   | 8-10   | 6   | 4  | 2   |

**ISM-KUH-01600**


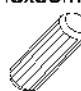



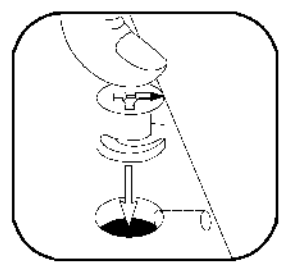
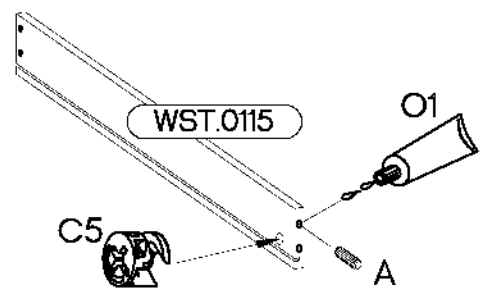
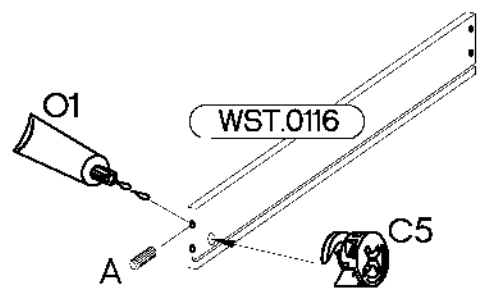
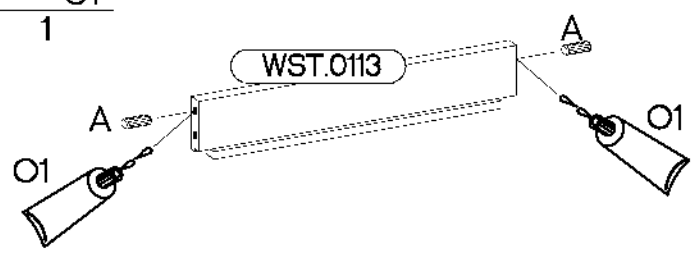
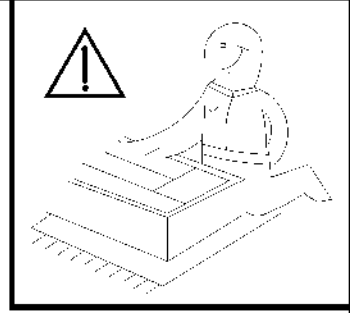
| Colli        | Spare Part | Dimension   |
|--------------|------------|-------------|
| Colli<br>1/6 | KUH.10318  | 720x560x16  |
|              | KUH.10319  | 720x560x16  |
|              | KUH.30003  | 466x430x16  |
|              | KUH.40151  | 467x485x16  |
|              | KUH.60003  | 713x485x2,5 |
|              | KUH.60274  | 448x437x2,5 |
|              | KUH.70742  | 568x496x16  |
|              | KUH.70746  | 138x496x16  |
|              | KUH.90006  | 467x100x16  |
|              | KUH.90007  | 467x100x16  |
|              | WST.0113   | 427x80x12   |
|              | WST.0115   | 450x80x12   |
|              | WST.0116   | 450x80x12   |



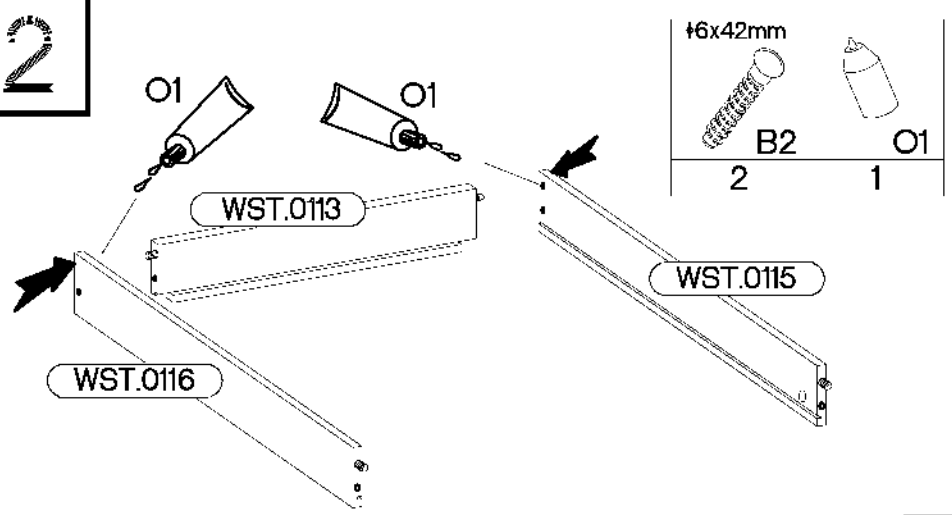
KUH.30003



KUH.40151

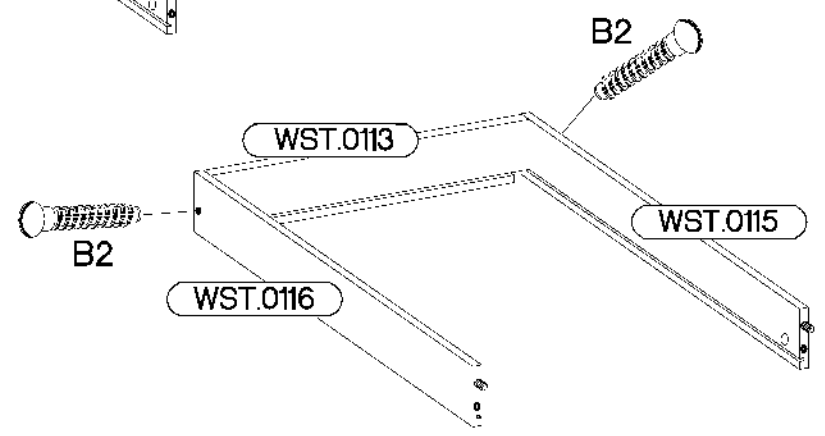
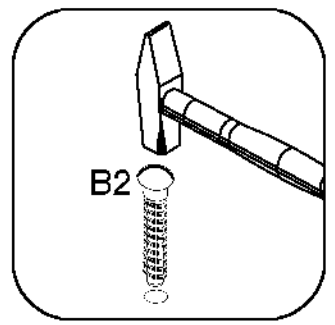
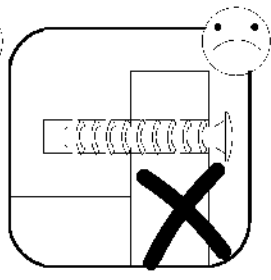
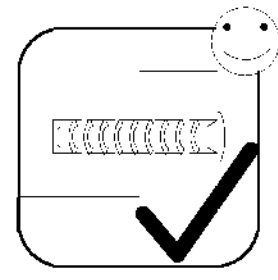
|   |   |   |
|---|---|---|
| #12/10mm<br><br>C5<br>2 | #8x30mm<br><br>A<br>4 | <br>O1<br>1 |
|---|---|---|




2

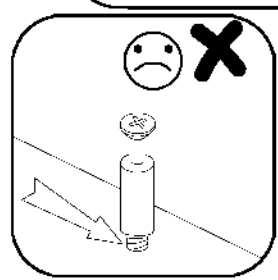
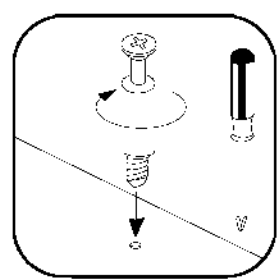
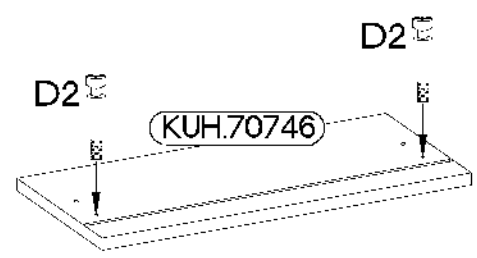


|   |  |
|---|--|
| #6x42mm<br><br>B2<br>2 | <br>O1<br>1 |
|---|--|

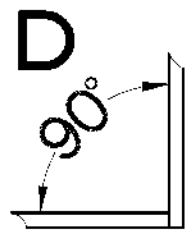
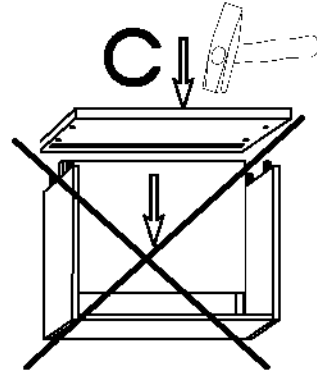
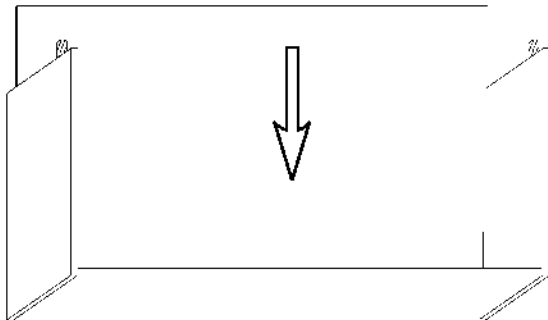
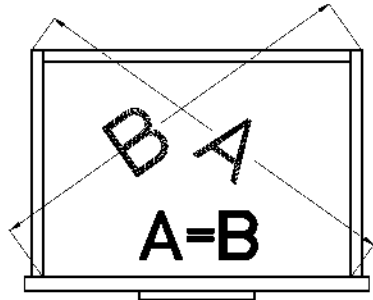
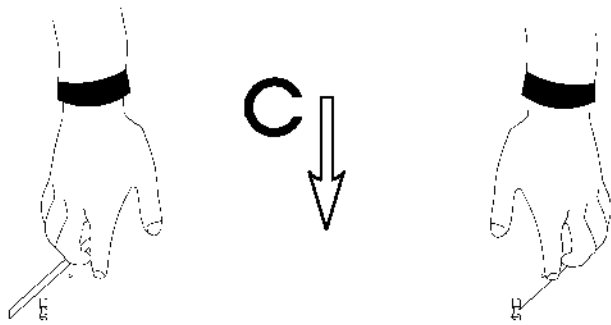
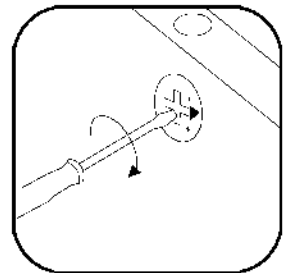
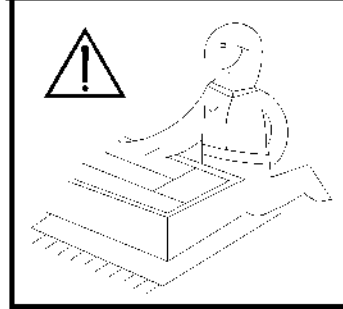
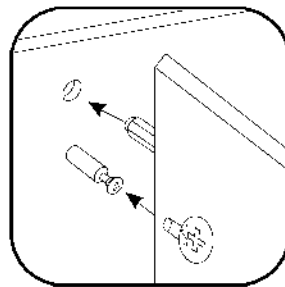
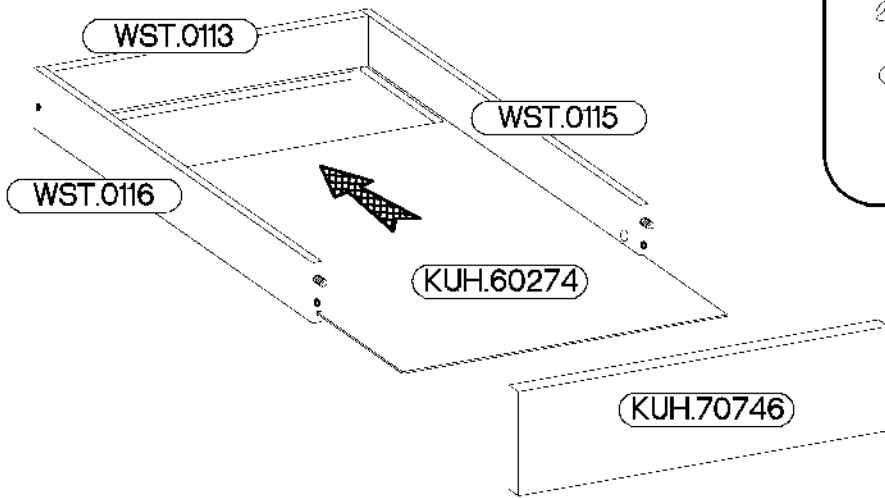


3

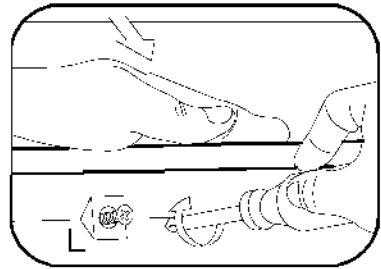
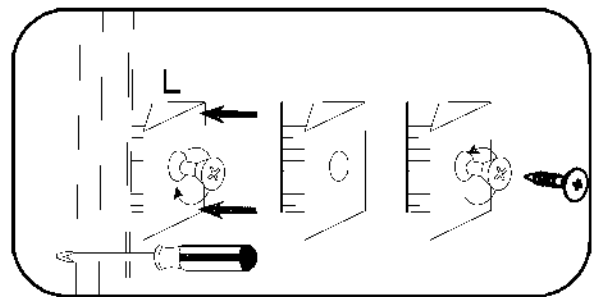
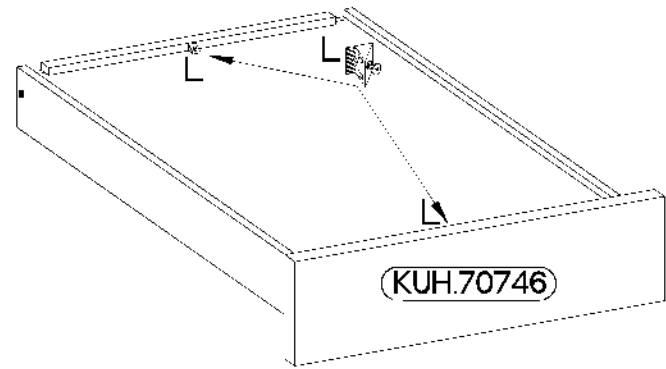
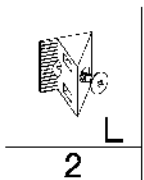
|  |
|--|
| L=20mm<br><br>D2<br>2 |
|--|



4

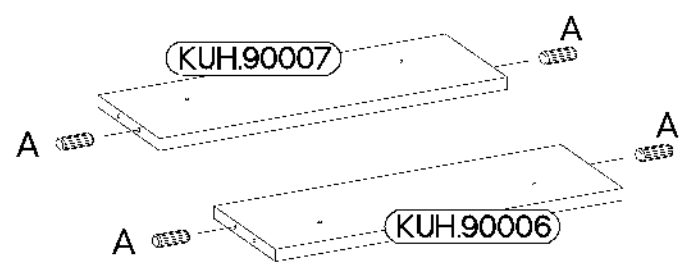
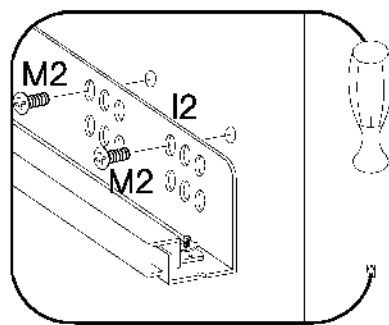
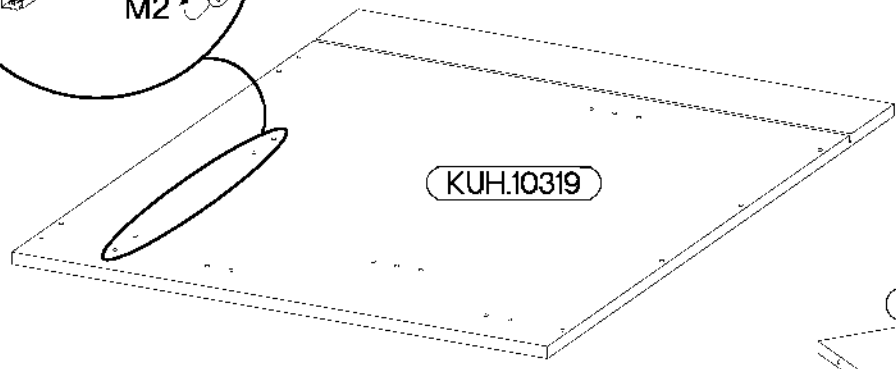
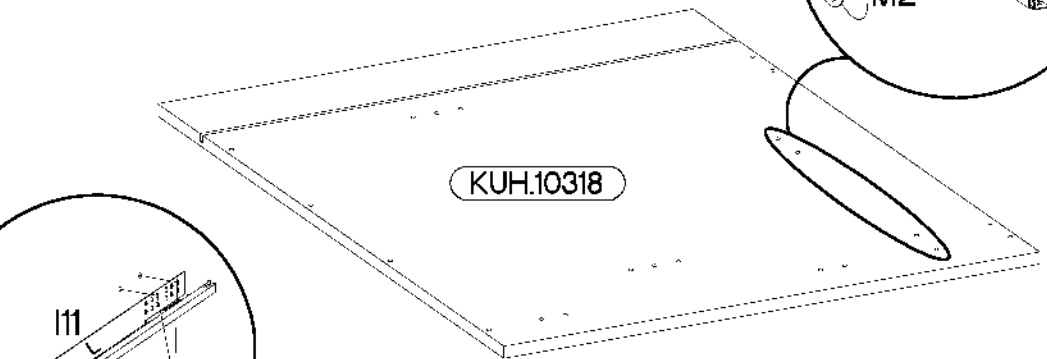
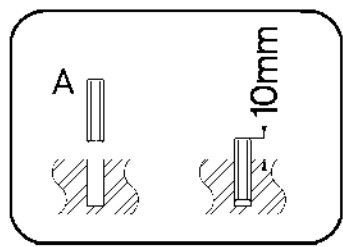
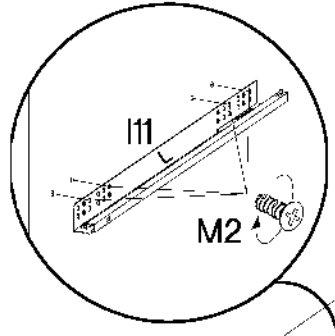
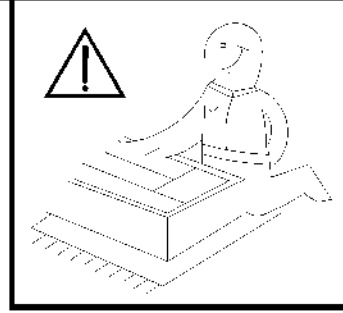
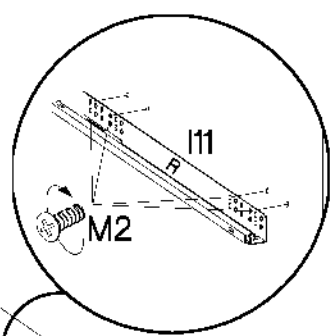


5



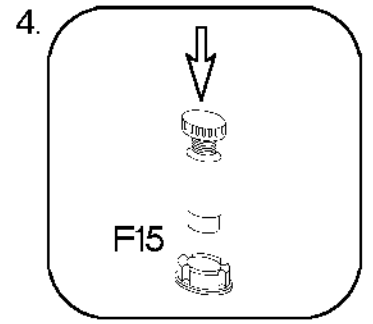
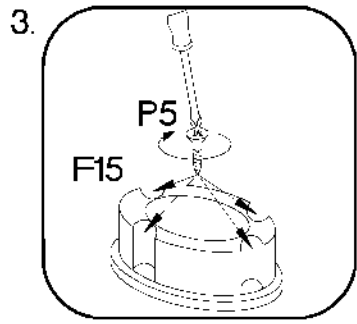
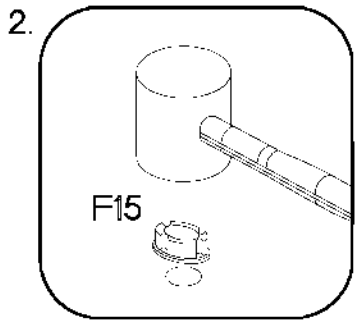
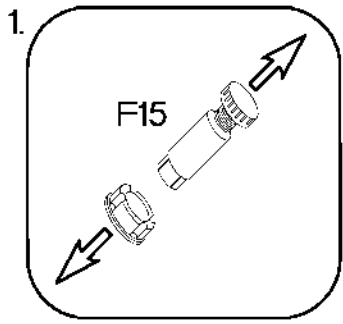
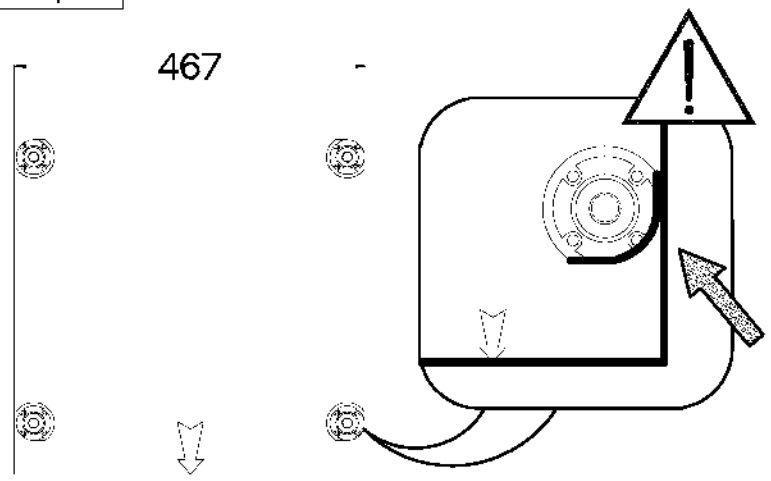
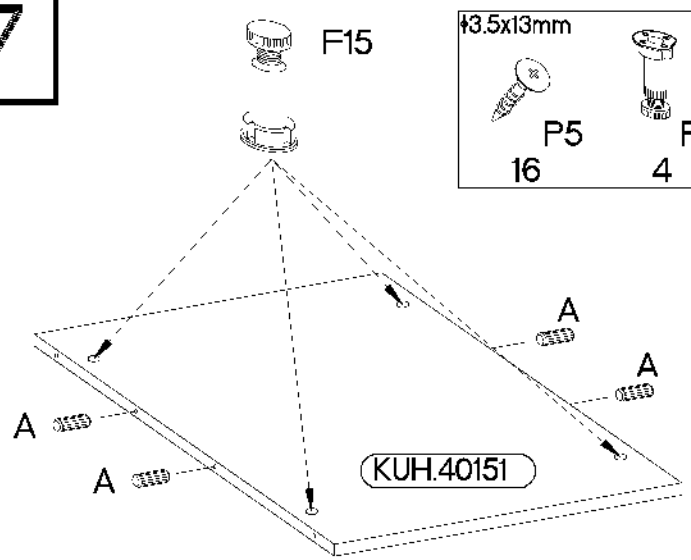
6

- 4  $\varnothing 8 \times 30 \text{mm}$
- 1 L=450mm
- 1 I11
- 8  $\varnothing 6.3 \times 13 \text{mm}$  M2



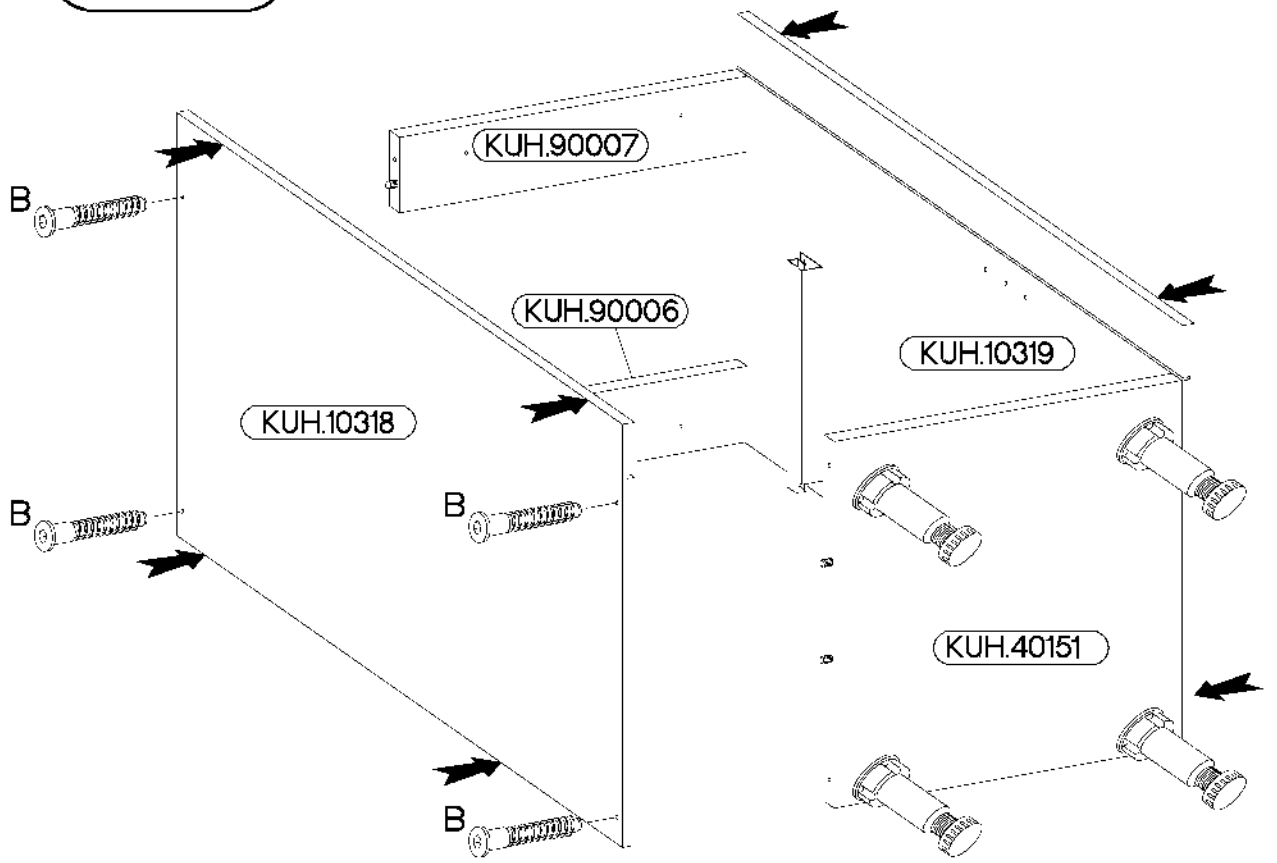
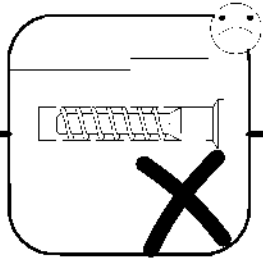
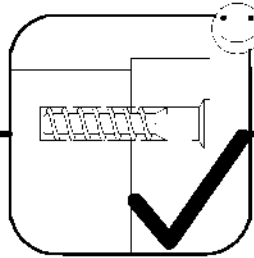
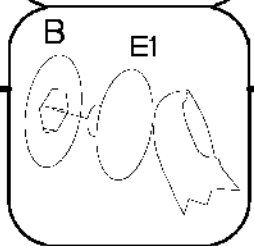
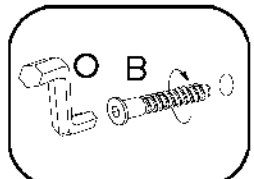
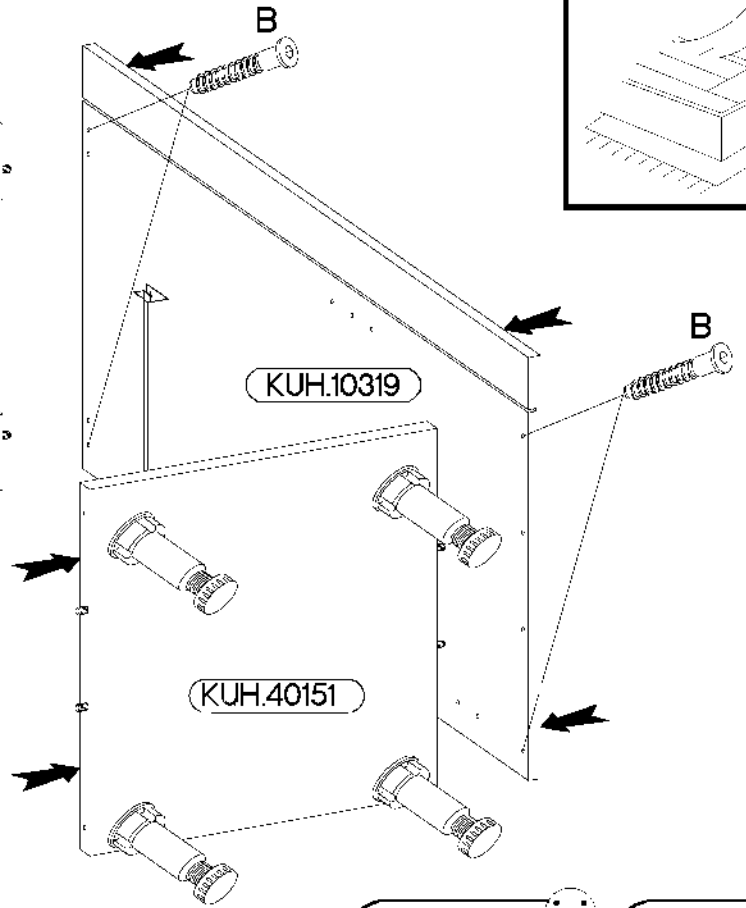
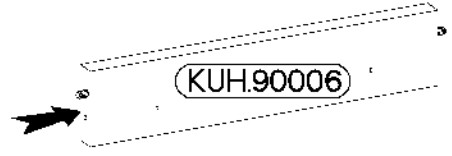
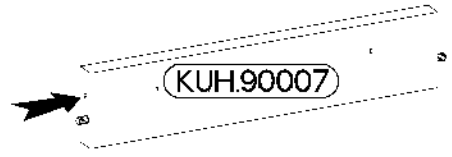
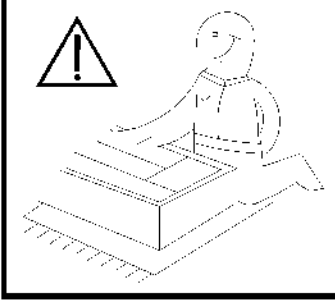
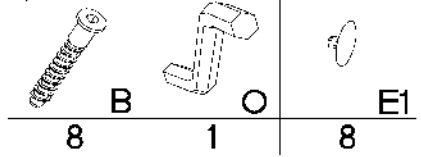
7

- 16  $\varnothing 3.5 \times 13 \text{mm}$  P5
- 4 F15
- 4  $\varnothing 8 \times 30 \text{mm}$  A





6,4 x 50mm

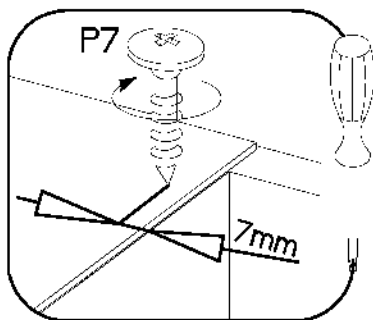
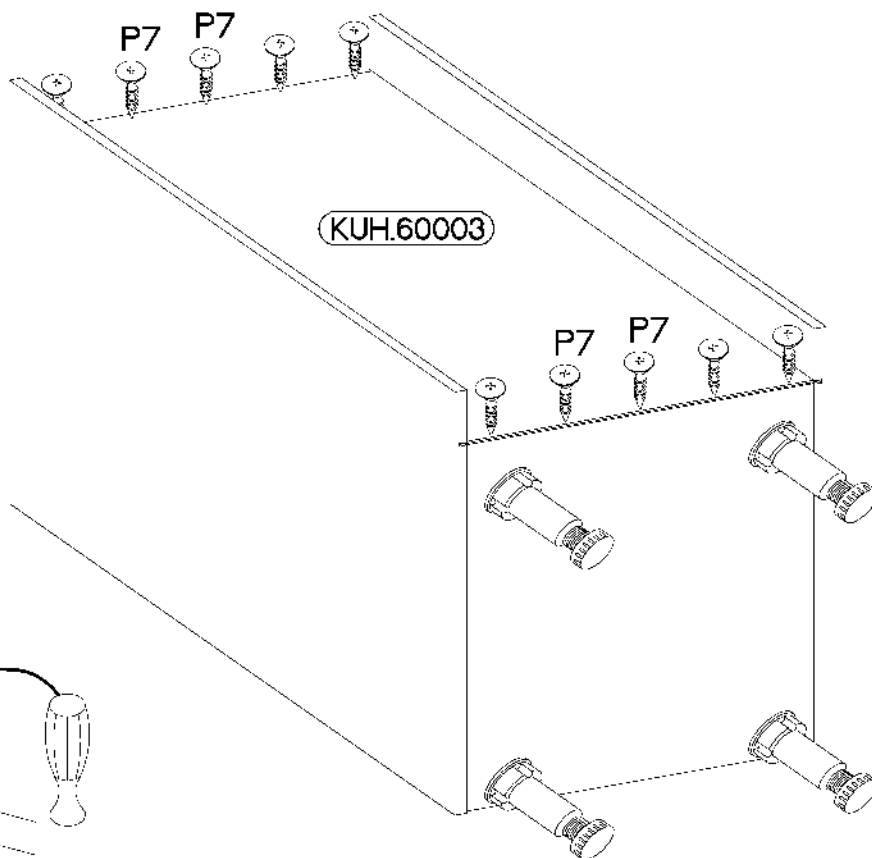
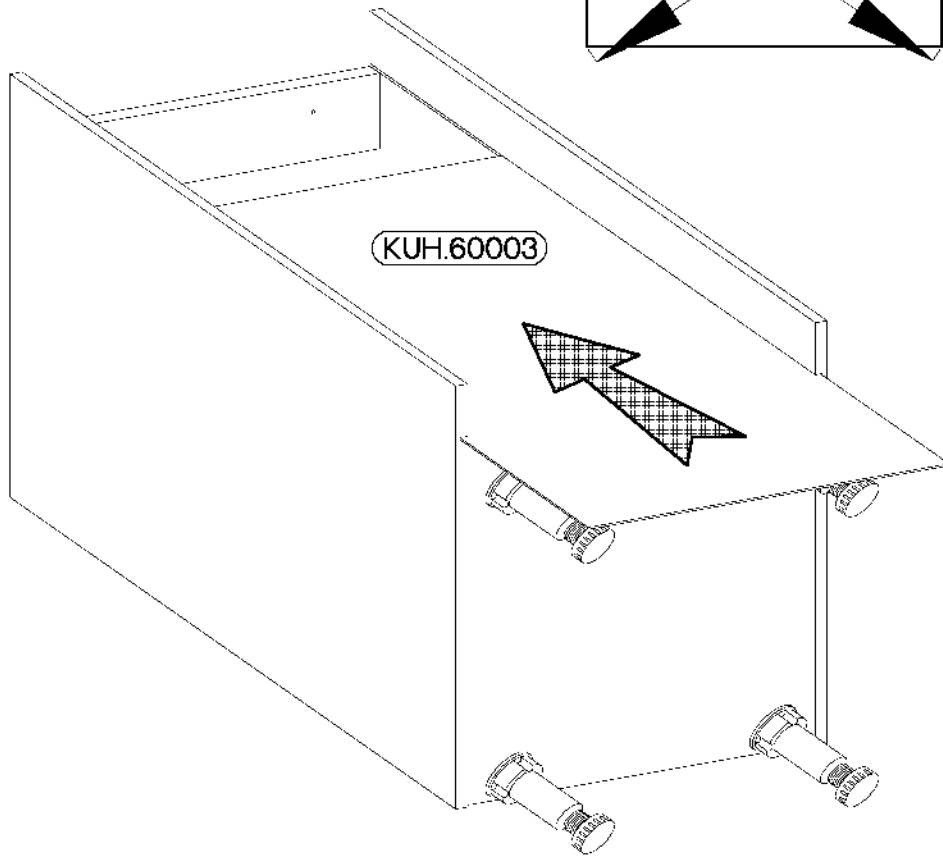
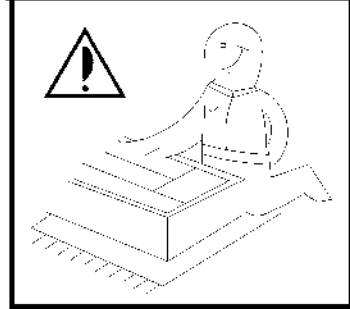
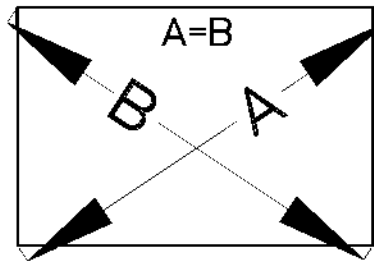


3.0x20mm



P7

8-10



1

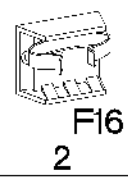
4.0x35mm 3.5x13mm



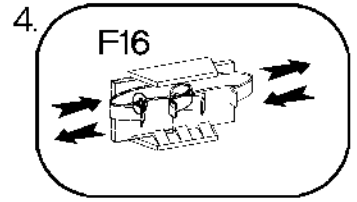
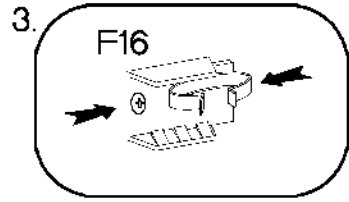
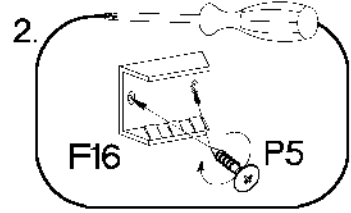
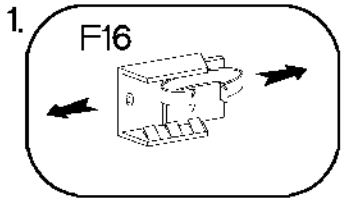
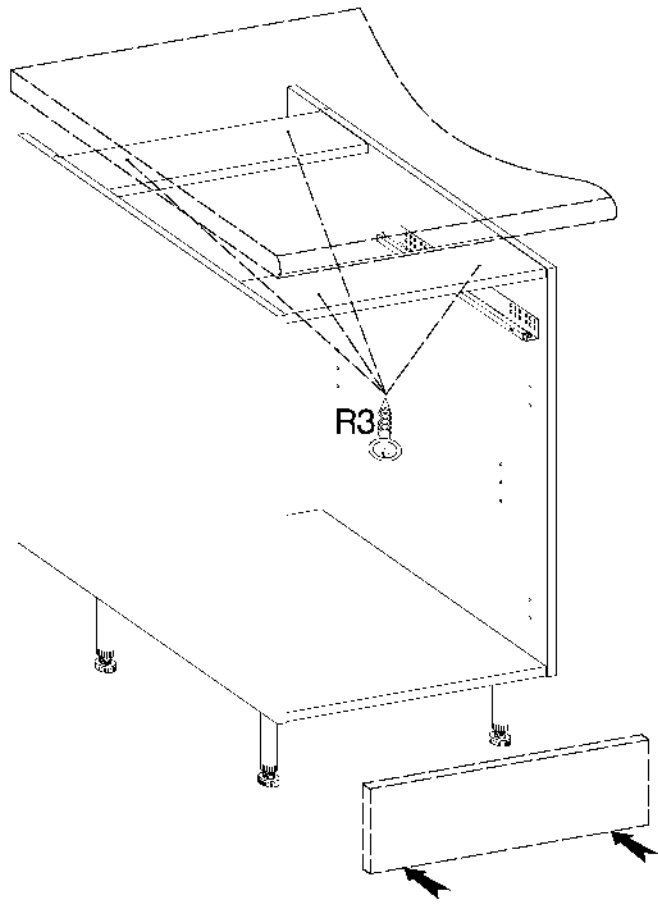
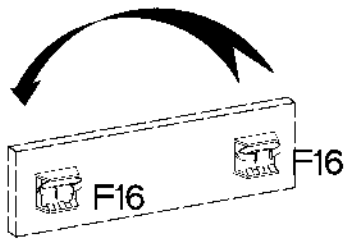
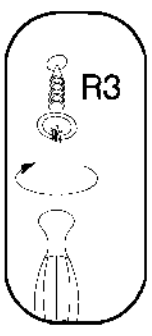
R3  
4



P5  
4



F16  
2

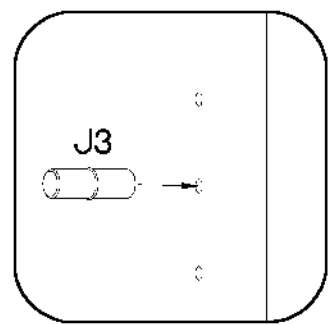
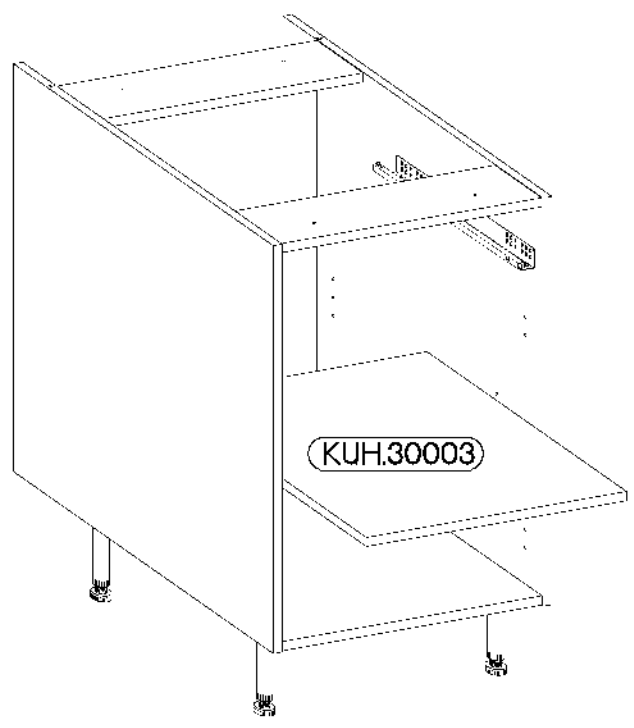


2

5/16mm



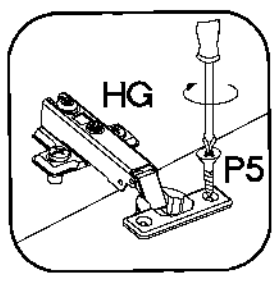
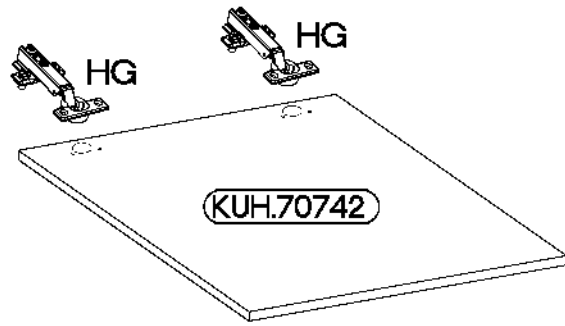
J3  
4





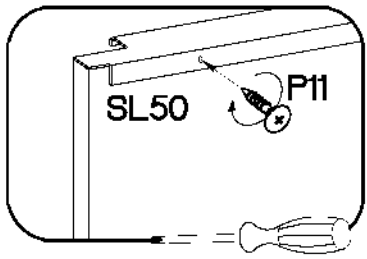
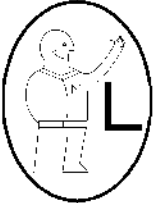
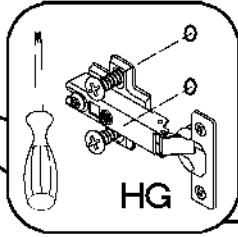
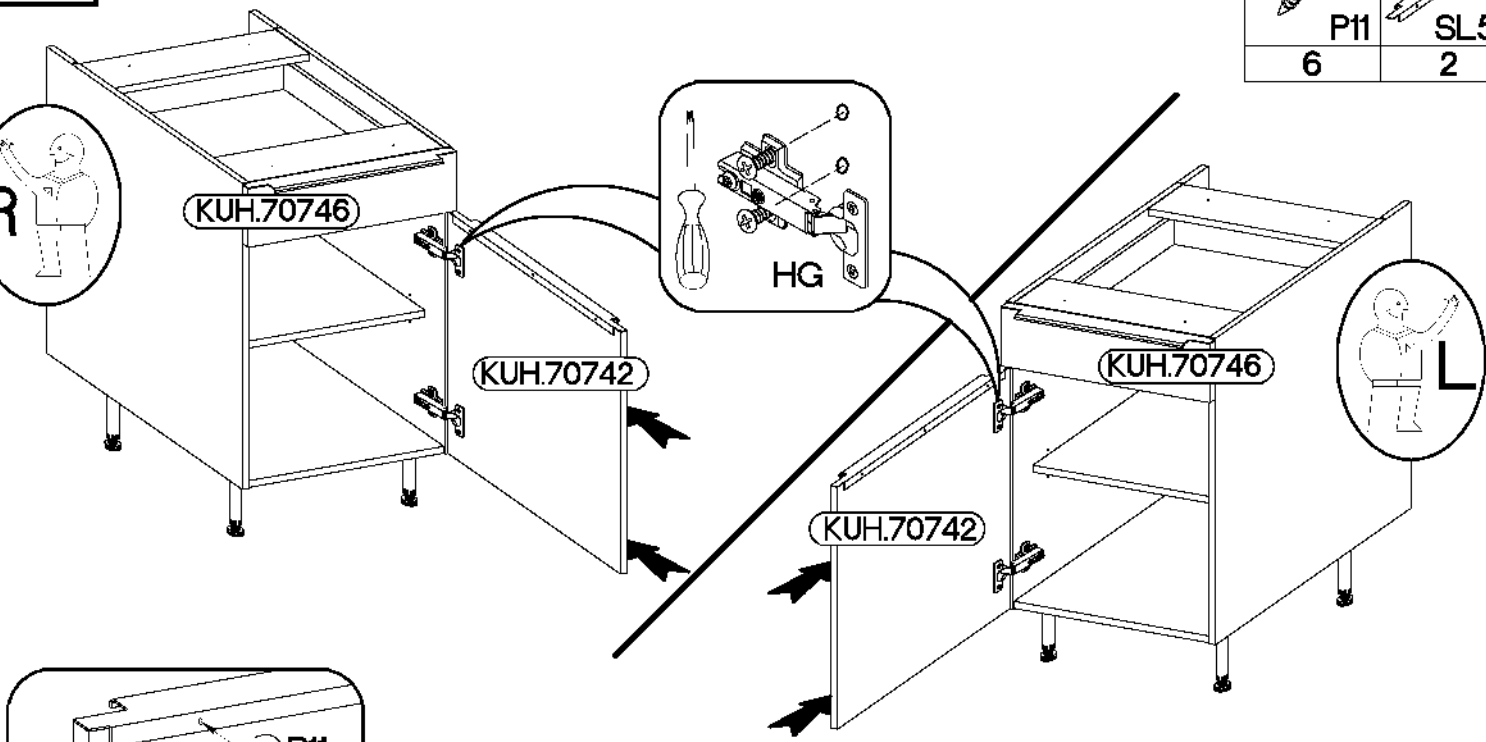
# 13

|                    |                      |
|--------------------|----------------------|
| ∅35/0mm<br>HG<br>2 | ∅3.5x13mm<br>P5<br>4 |
|--------------------|----------------------|

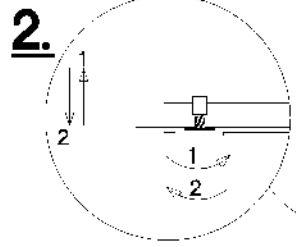
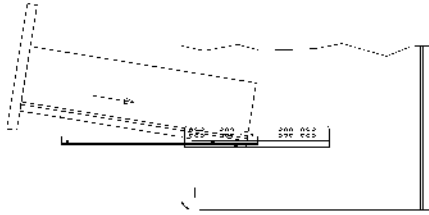


# 14

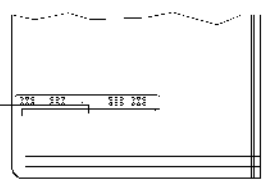
|                       |                      |
|-----------------------|----------------------|
| ∅3.0x16mm<br>P11<br>6 | L=495mm<br>SL50<br>2 |
|-----------------------|----------------------|



**1.**

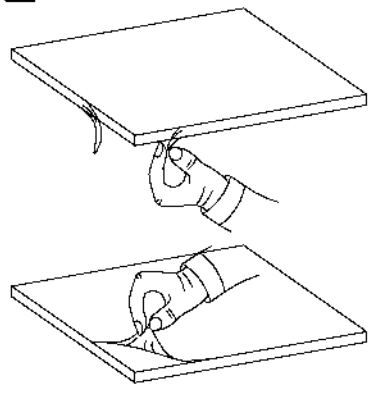


**2.**



## VARIANT HIGH GLOSS

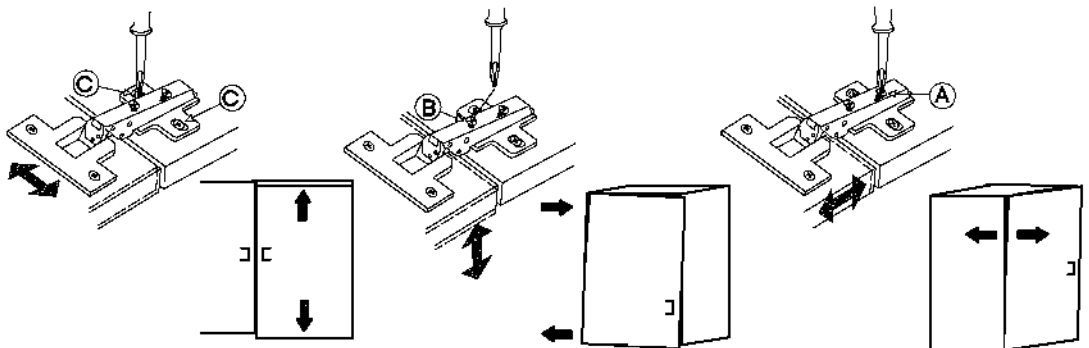
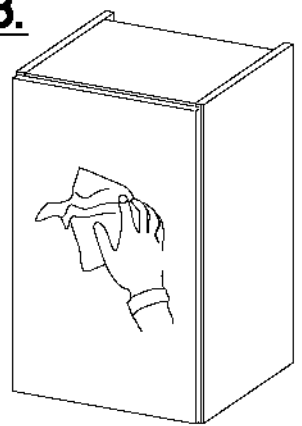
**1.**

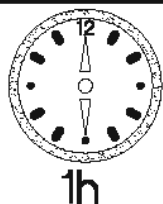
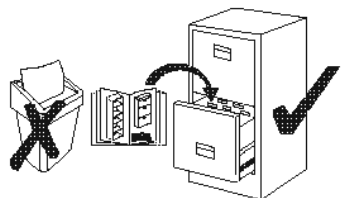
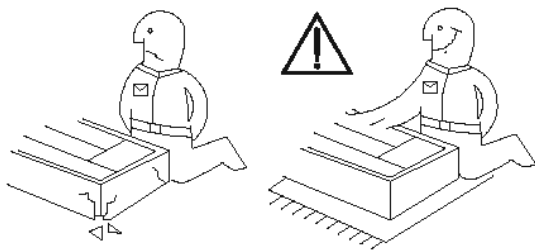
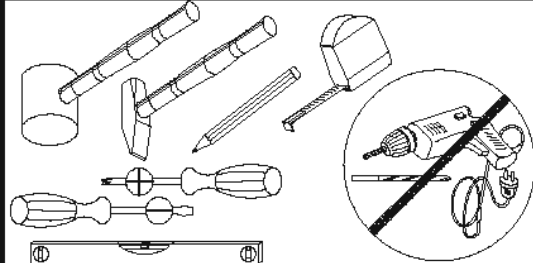
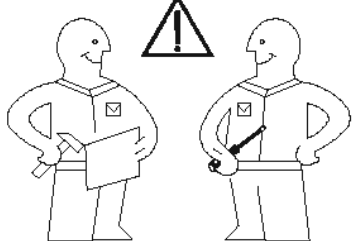


**2.**



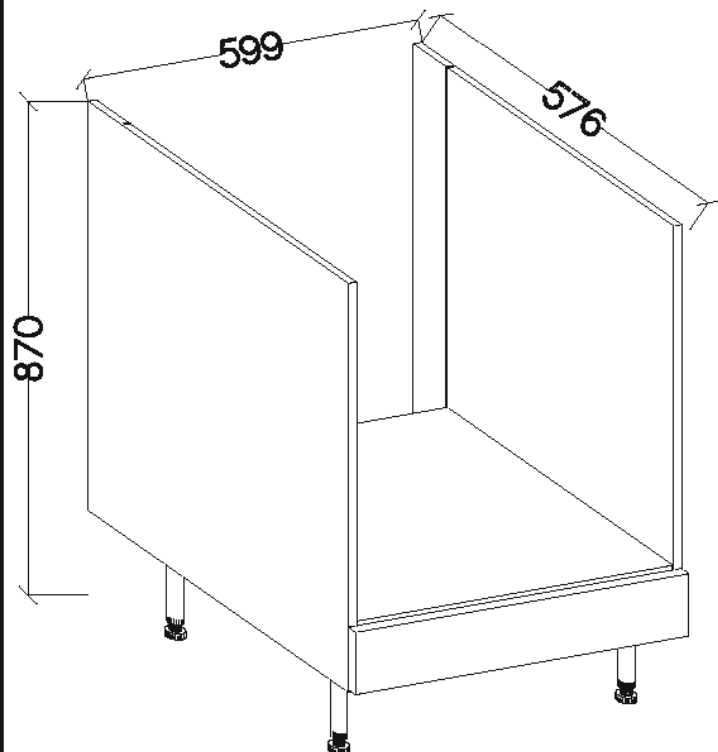
**3.**



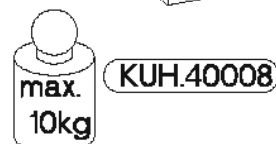
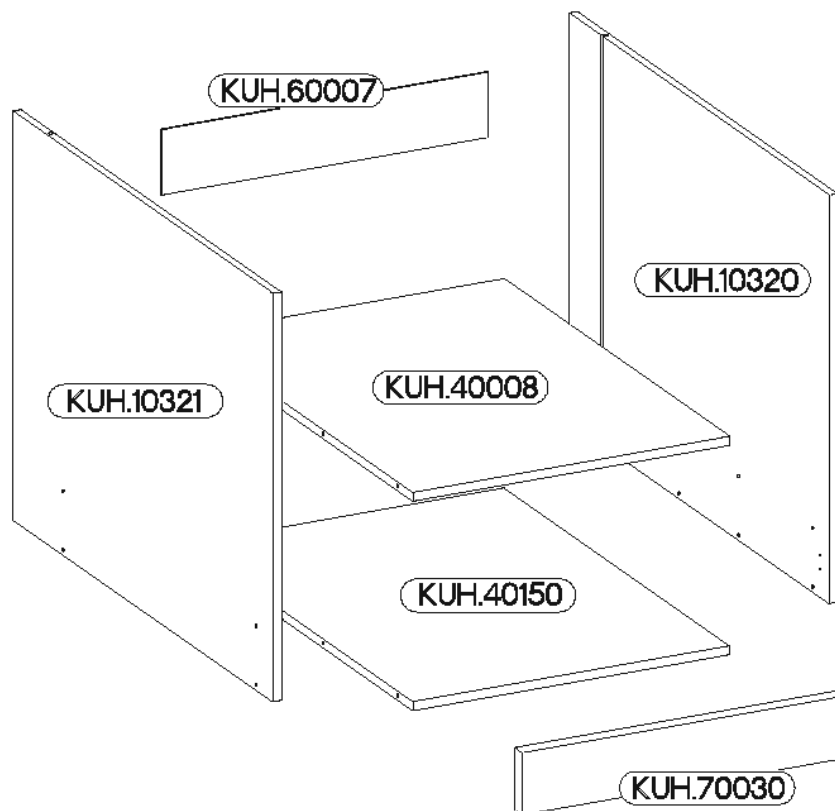


SAFADO / MARLEEN

84-170-...  
84-17B-...



**respekta®**



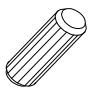
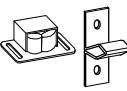

|         |            |
|---------|------------|
| ±8x30mm | 6,4 x 50mm |
|         |            |
| A       | B          |
| 8       | 8          |

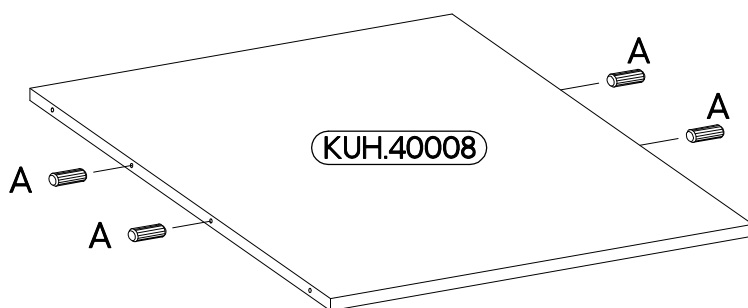
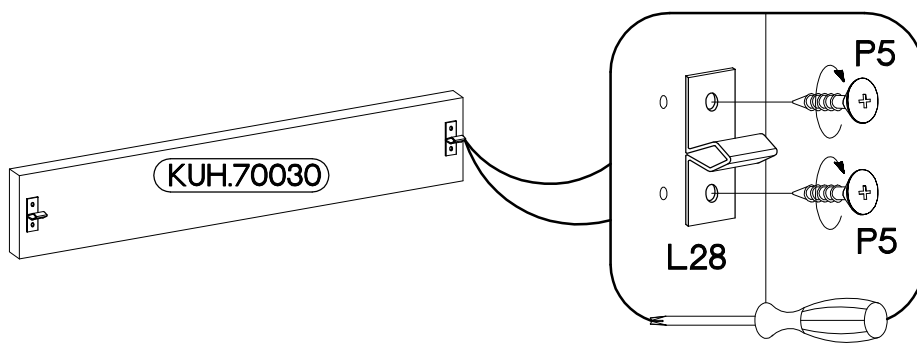
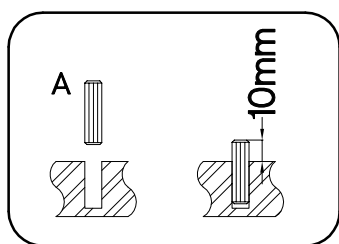
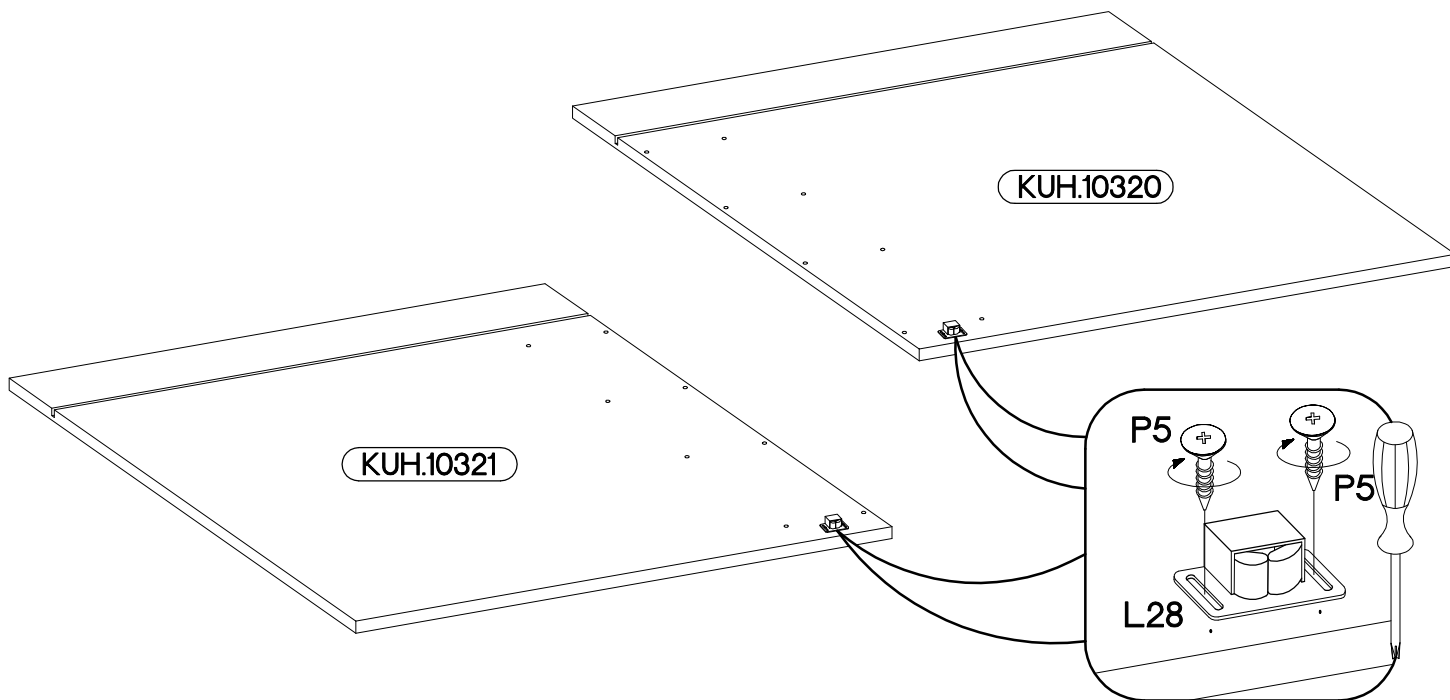
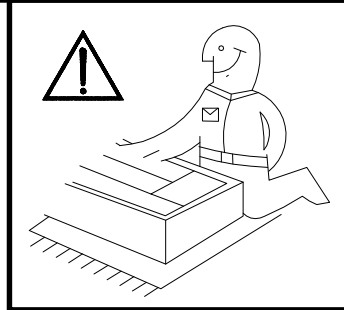
|    |     |     |     |   |           |           |
|----|-----|-----|-----|---|-----------|-----------|
|    |     |     |     |   | ±3.5x13mm | ±3.0x20mm |
| E1 | F15 | F16 | L28 | O | P5        | P7        |
| 8  | 4   | 2   | 2   | 1 | 28        | 8-10      |

| Colli        | Spare Part | Dimension   |
|--------------|------------|-------------|
| Colli<br>2/6 | KUH.10320  | 720x560x16  |
|              | KUH.10321  | 720x560x16  |
|              | KUH.40008  | 567x485x16  |
|              | KUH.40150  | 567x485x16  |
|              | KUH.60007  | 585x115x2,5 |
|              | KUH.70030  | 596x110x16  |

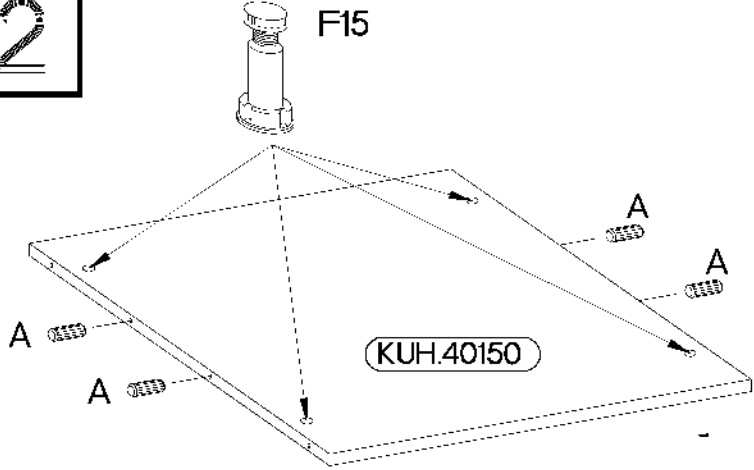
**ISM-KUH-01601**



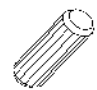
1

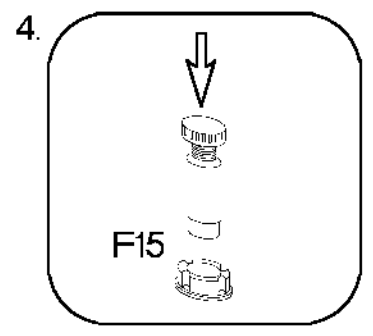
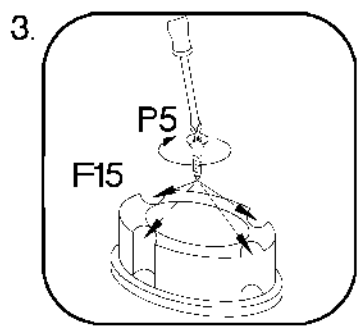
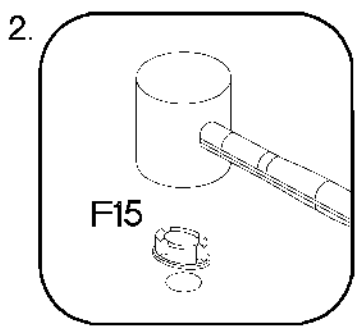
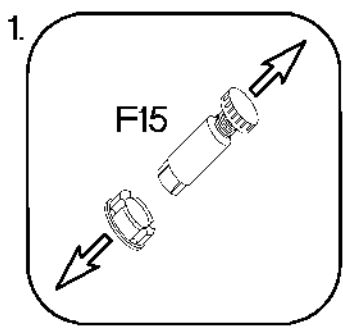
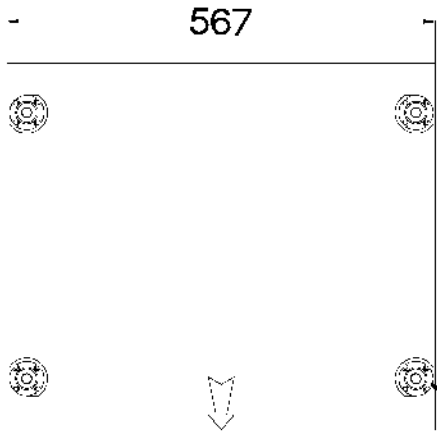
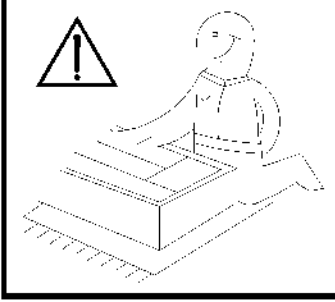
|   |  |  |
|---|--|--|
| $\varnothing 8 \times 30 \text{mm}$<br><br>A<br>4 | <br>L28<br>2 | $\varnothing 3.5 \times 13 \text{mm}$<br><br>P5<br>8 |
|---|--|--|






2

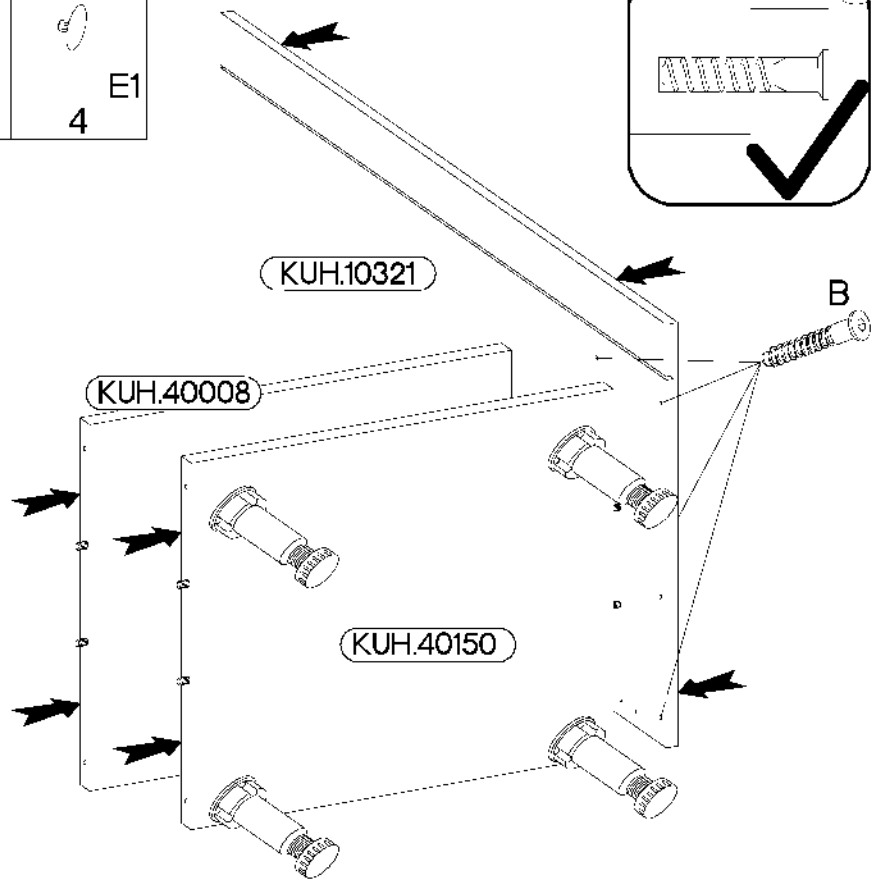
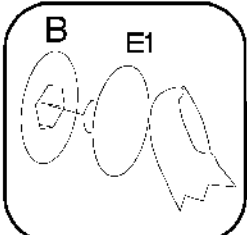
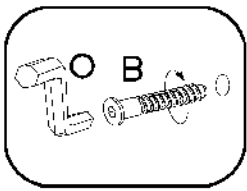
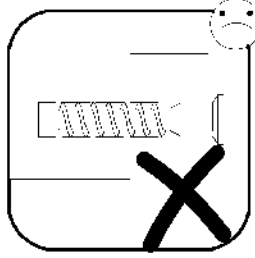
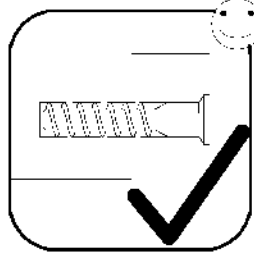


|  |   |  |
|--|---|--|
|  |  |  |
| F15  | P5  | A  |
| 4  | 16  | 4  |



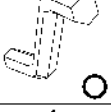
3

|   |   |   |
|---|---|---|
|  |  |  |
| B   | O   | E1  |
| 4   | 1   | 4   |



4

6,4 x 50mm



B

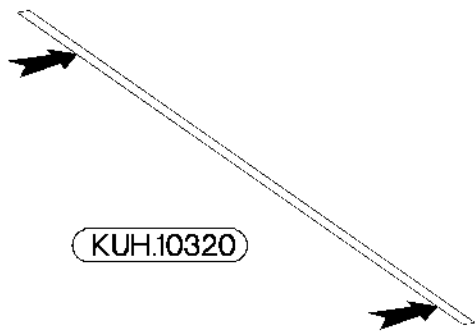
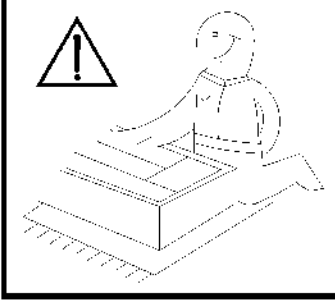
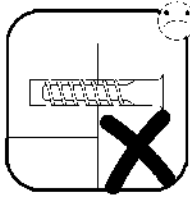
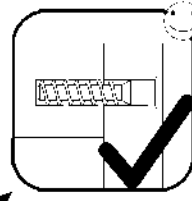
O

E1

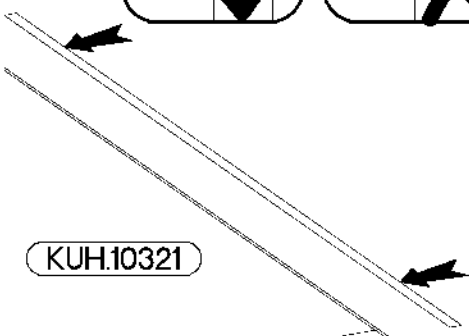
4

1

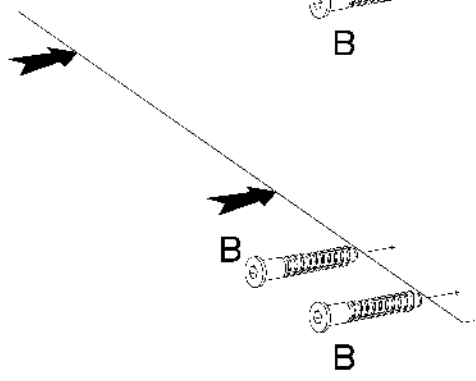
4



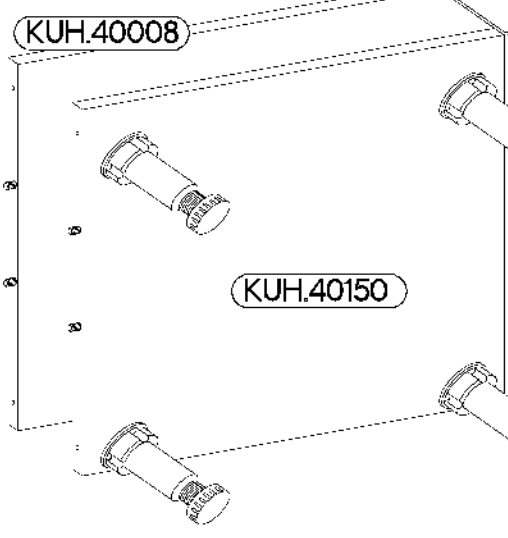
KUH.10320



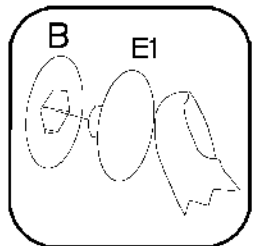
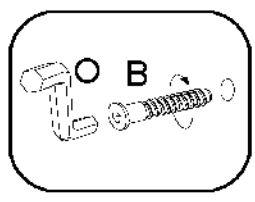
KUH.10321



KUH.40150



KUH.40008



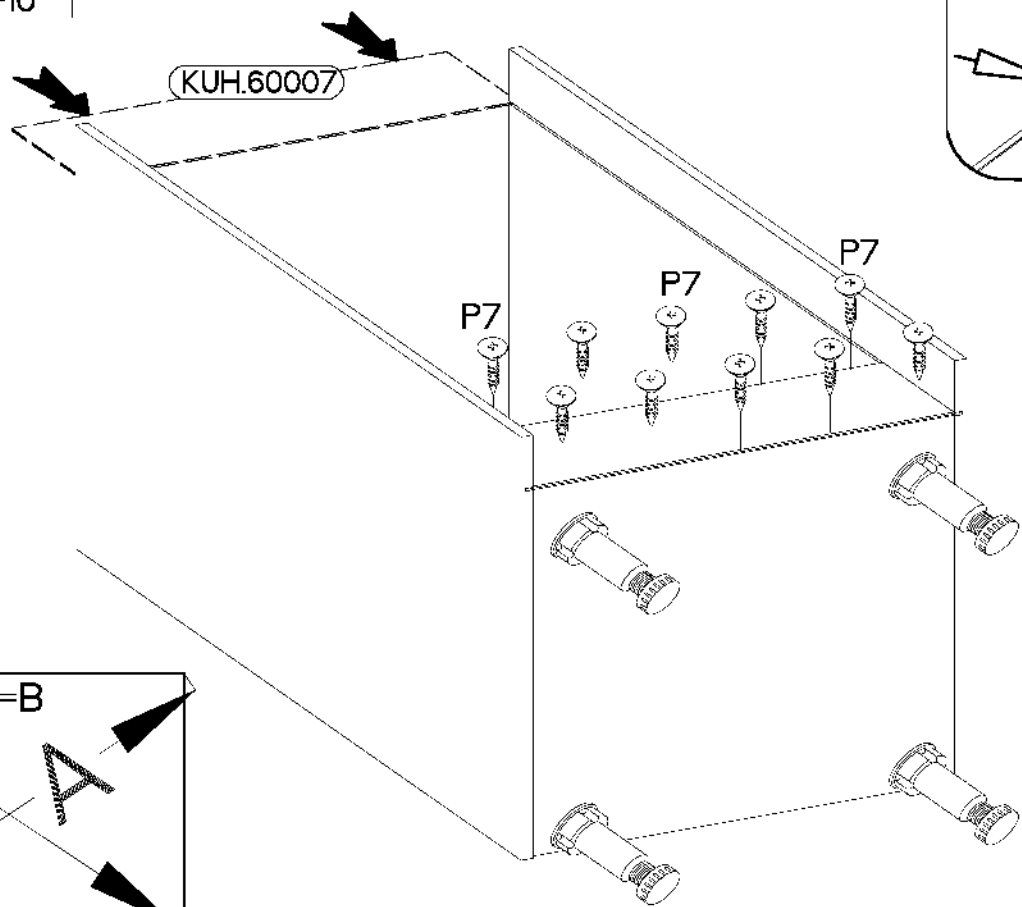
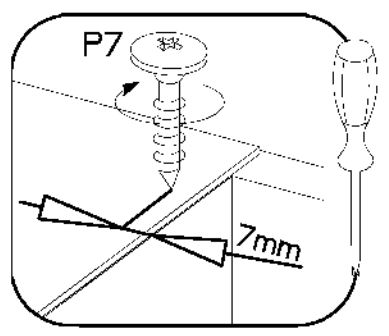
5

+3.0x20mm



P7

8-10

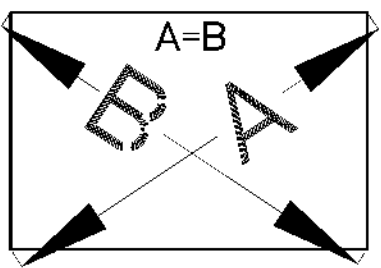


KUH.60007

P7

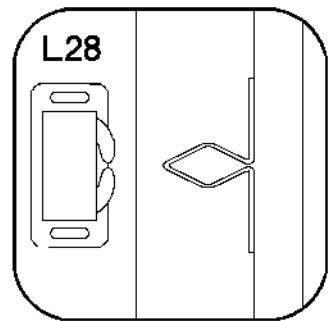
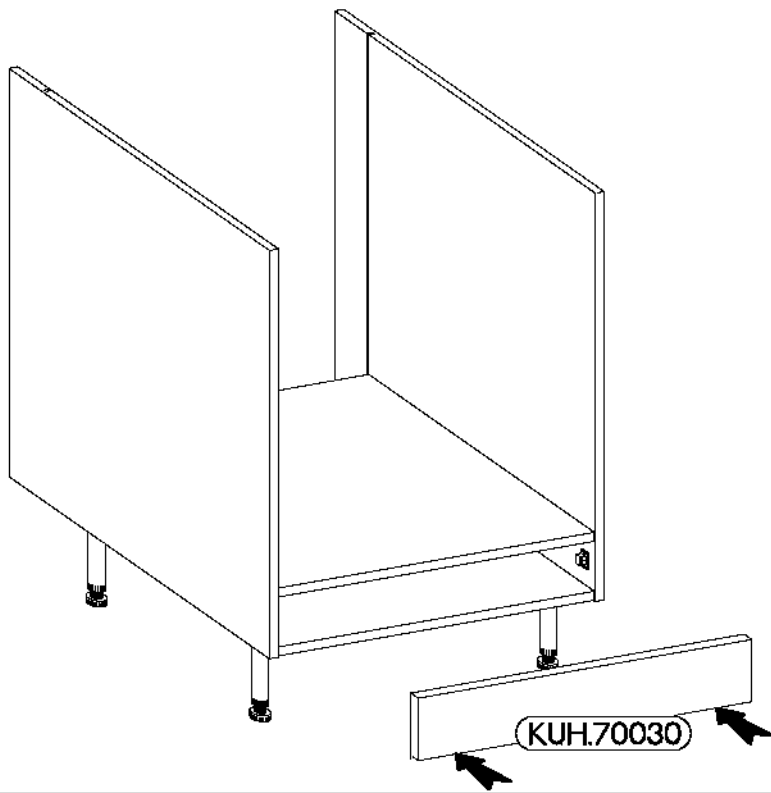
P7

P7



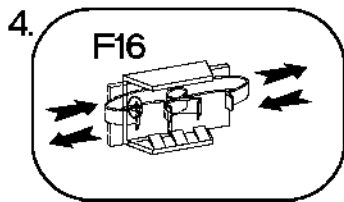
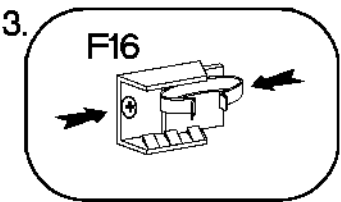
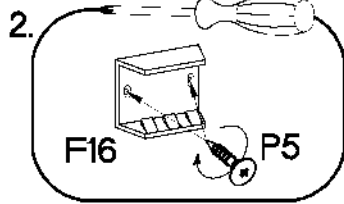
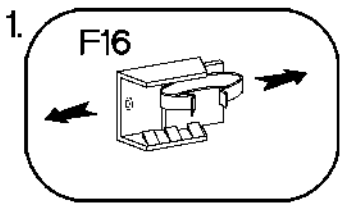
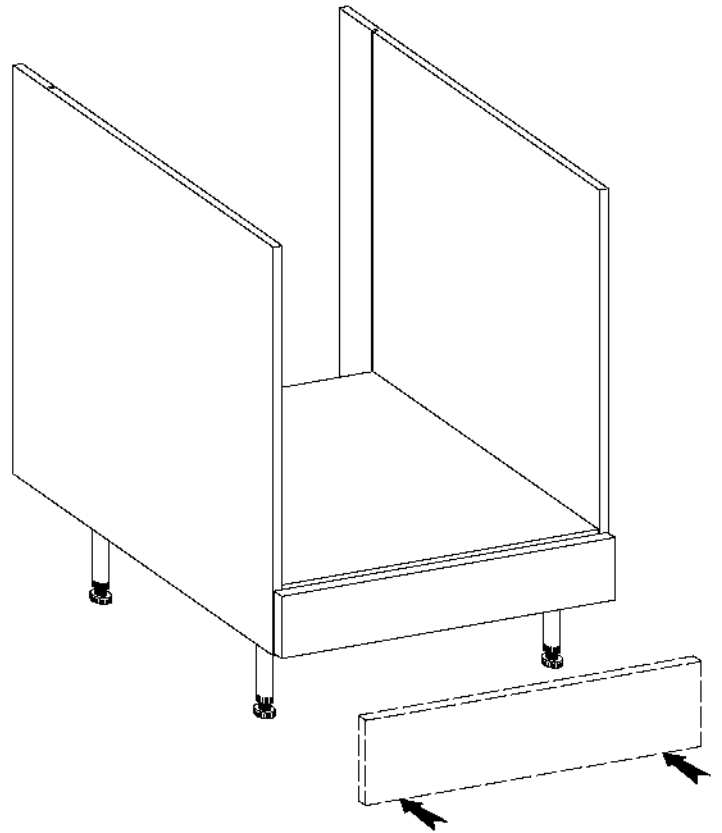
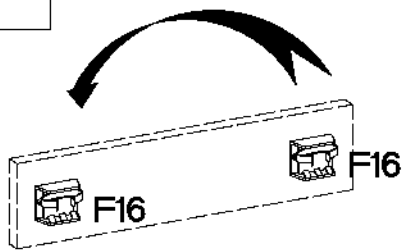
A=B

6

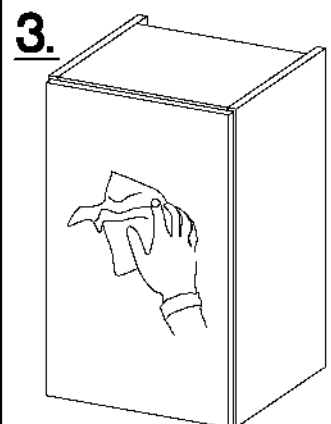
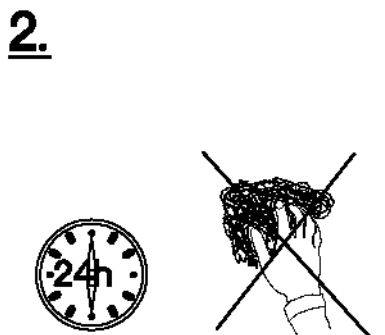
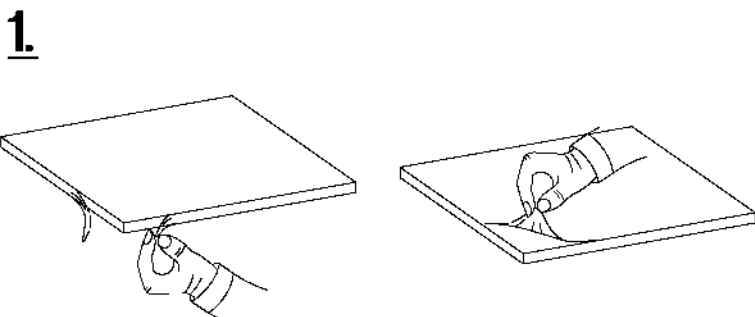


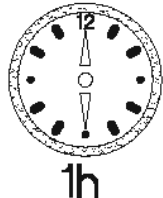
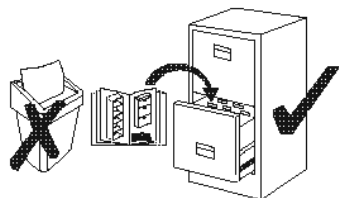
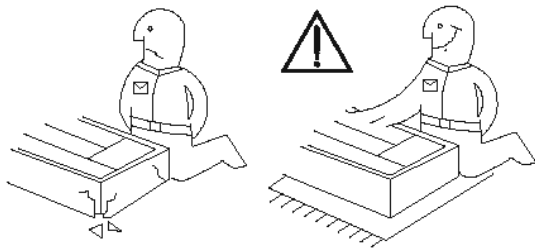
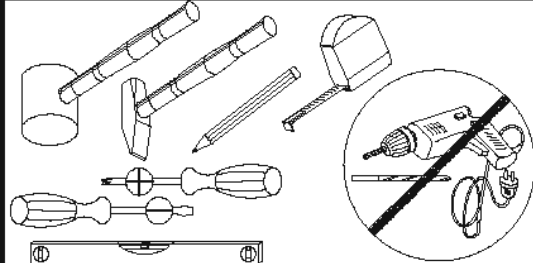
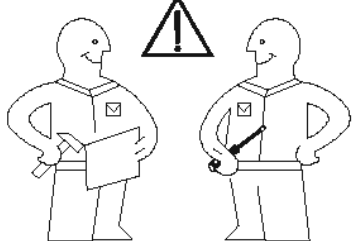
7

|             |              |
|-------------|--------------|
| <br>P5<br>4 | <br>F16<br>2 |
|-------------|--------------|



VARIANT HIGH GLOSS





SAFADO / MARLEEN

84-170-...  
84-176-...  
84-17C-...

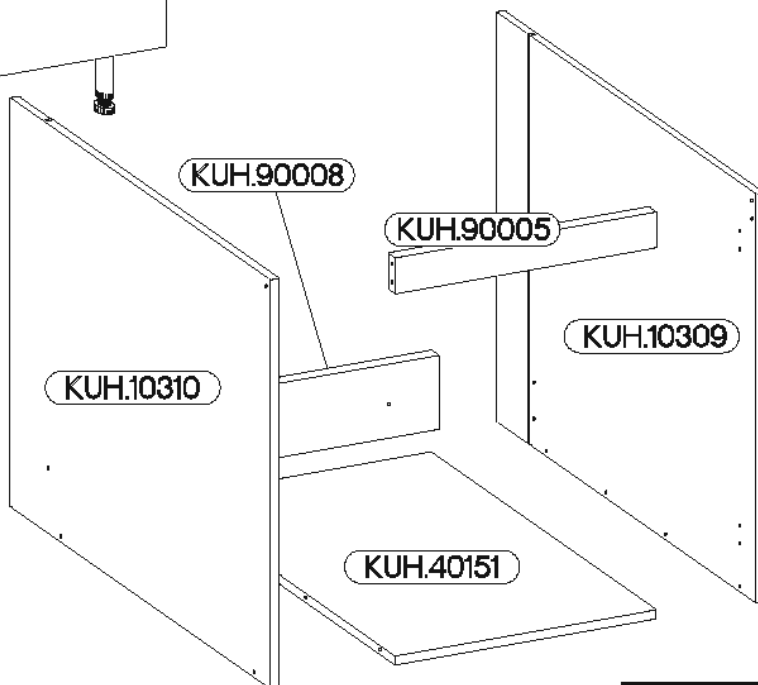
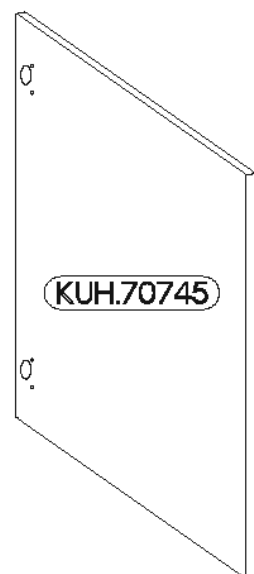
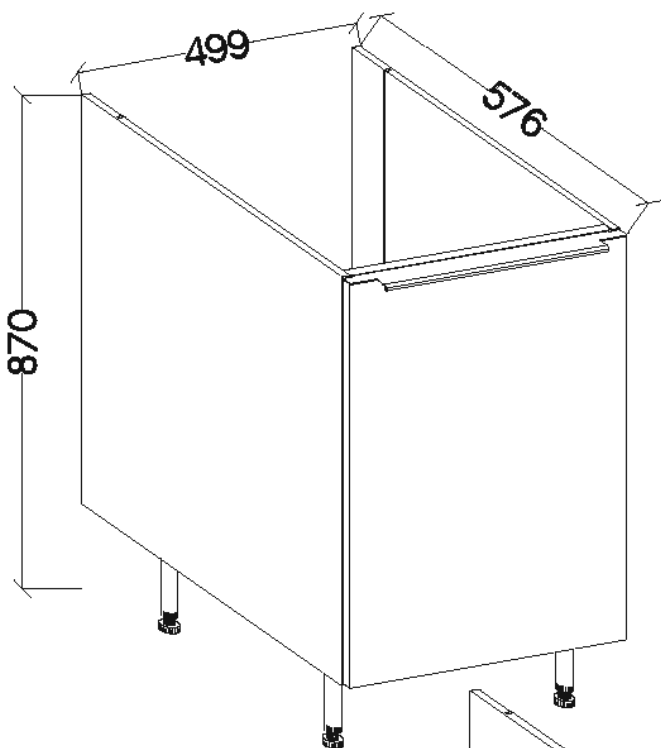


**respekta®**



KUH.40151

max.  
10kg



|                  |                     |                   |         |                      |
|------------------|---------------------|-------------------|---------|----------------------|
| ±8x30mm<br><br>A | 6,4 x 50mm<br><br>B | <br>E1            | <br>L37 | <br>L38              |
| 8                | 8                   | 8                 | 2       | 2                    |
| <br>F15          | <br>F16             | ±35/0mm<br><br>HG | <br>O   | ±3.5x13mm<br><br>P5  |
| 4                | 2                   | 2                 | 1       | 32                   |
|                  |                     |                   |         | ±3.0x16mm<br><br>P11 |
|                  |                     |                   |         | L=495mm<br><br>SL50  |
|                  |                     |                   |         | <br>T10              |
|                  |                     |                   |         | 2                    |

| Colli        | Spare Part | Dimension  |
|--------------|------------|------------|
| Colli<br>3/6 | KUH.10309  | 720x560x16 |
|              | KUH.10310  | 720x560x16 |
|              | KUH.40151  | 467x485x16 |
|              | KUH.70745  | 711x496x16 |
|              | KUH.90005  | 467x63x16  |
|              | KUH.90008  | 467x130x16 |

**ISM-KUH-01603**

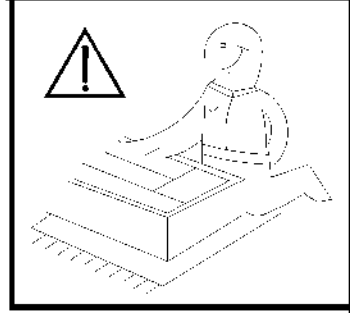
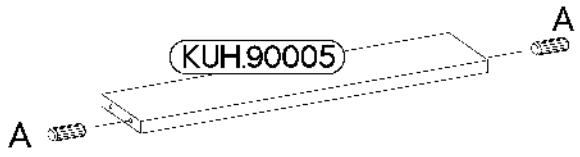
±8x30mm



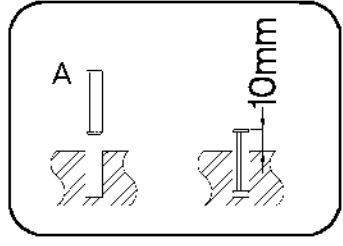
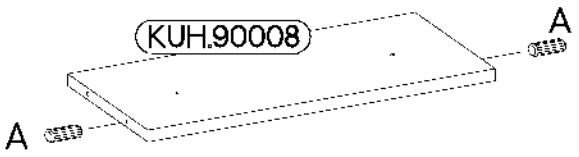
A

4

KUH.90005

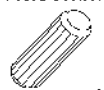


KUH.90008



2

±8x30mm ±3.5x13mm



4

A



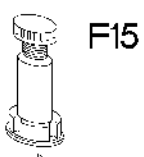
P5

16

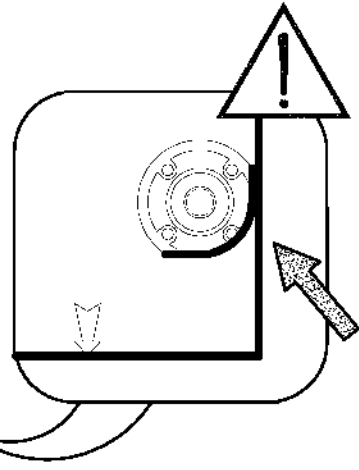
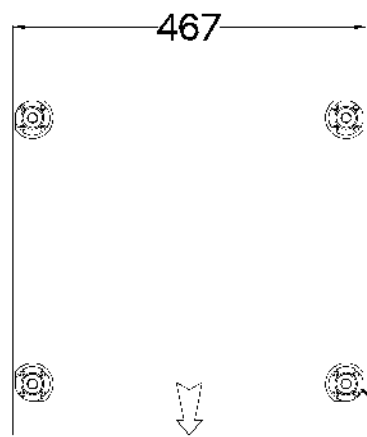
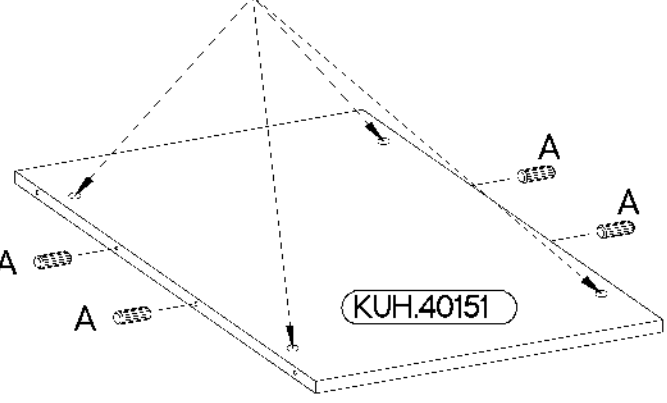


F15

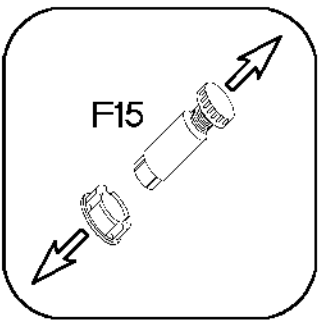
4



F15

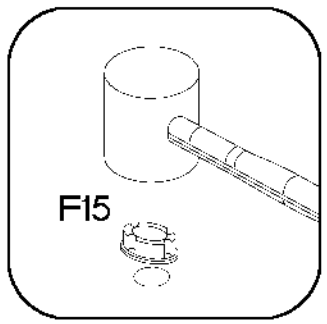


1.



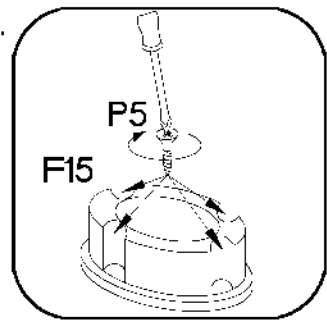
F15

2.



F15

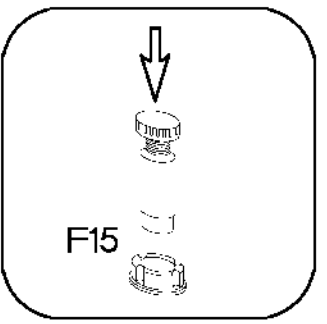
3.



P5

F15

4.



F15

3

±35/0mm ±3.5x13mm



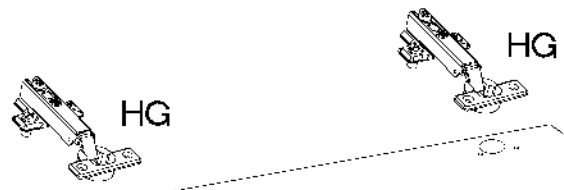
HG

2

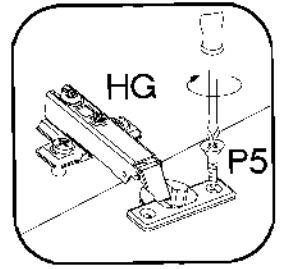


P5

4



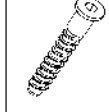
KUH.70745





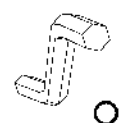
4

6,4 x 50mm



B

4



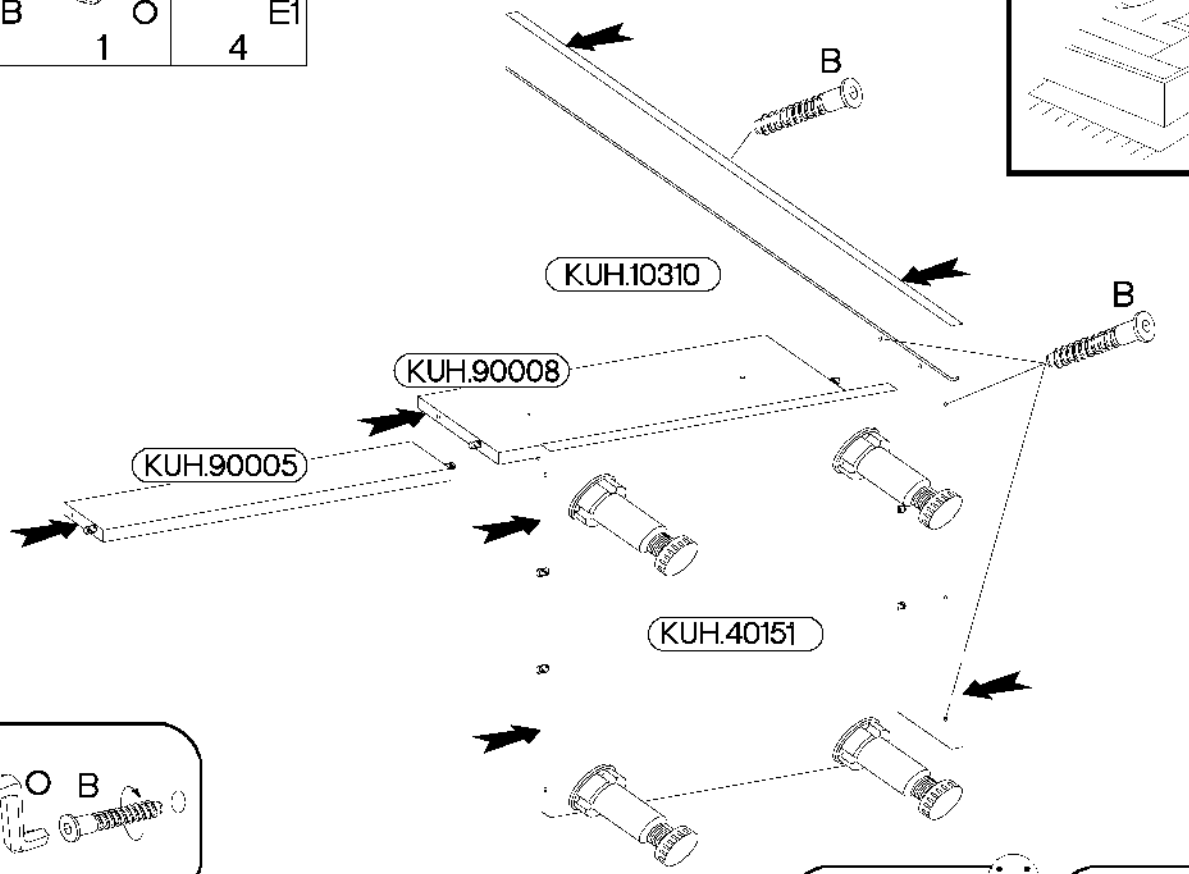
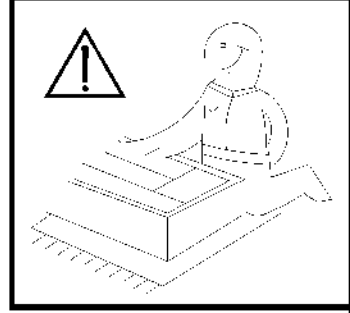
O

1

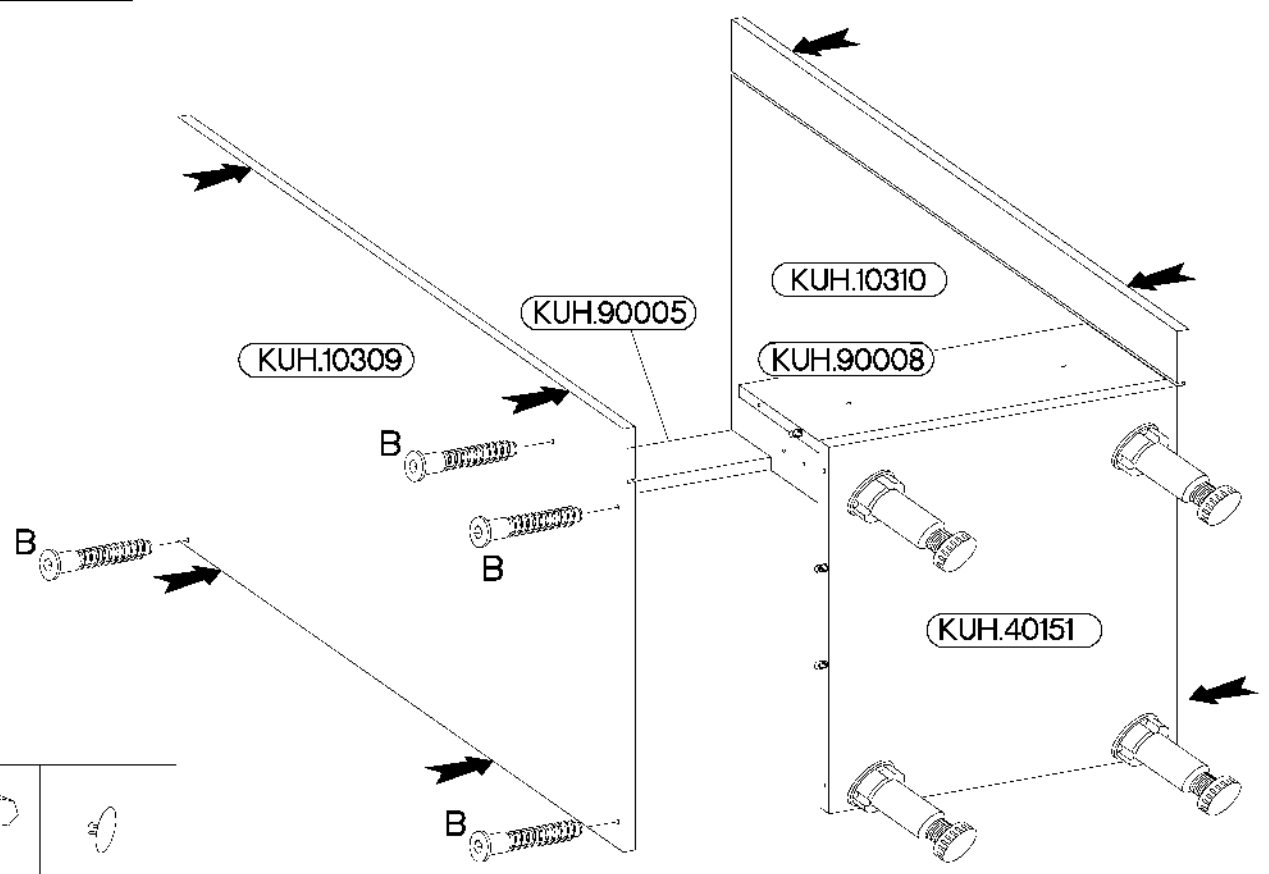
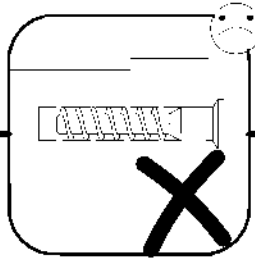
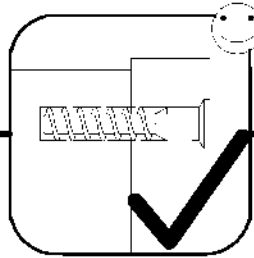
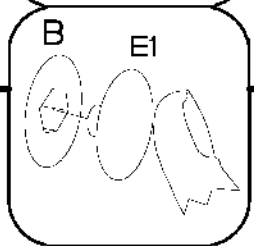
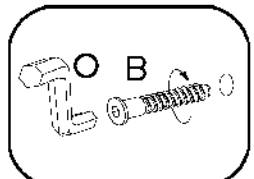


E1

4



5

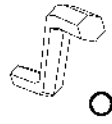


6,4 x 50mm



B

4



O

1



E1

4

**6**

+3.5x13mm



P5

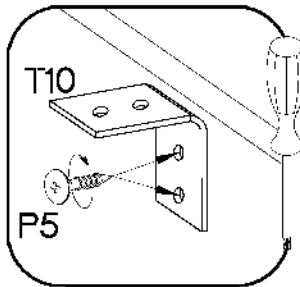
8



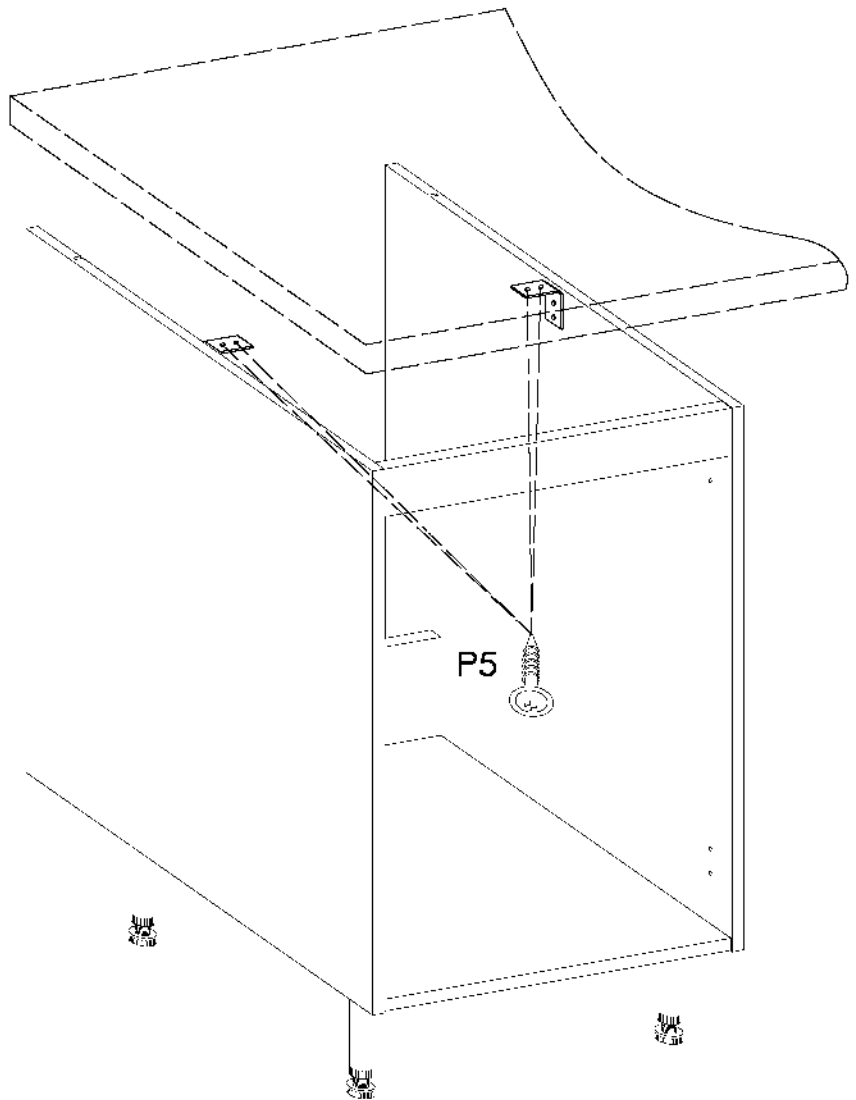
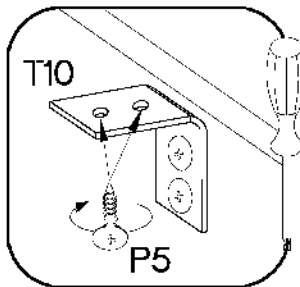
T10

2

1.



2.

**7**

+3.5x13mm



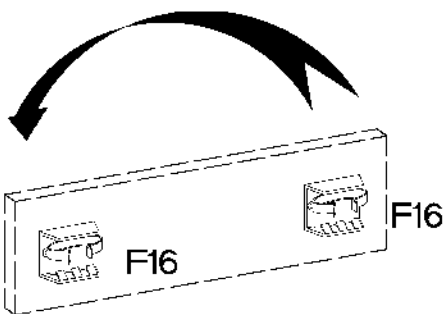
P5

4

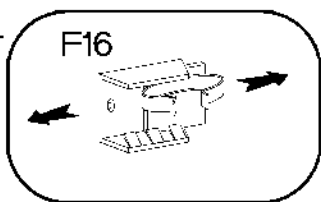


F16

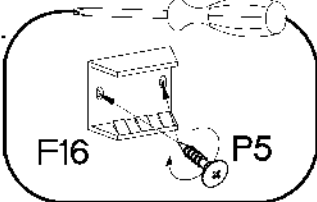
2



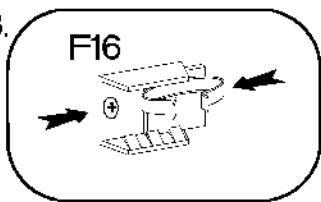
1.



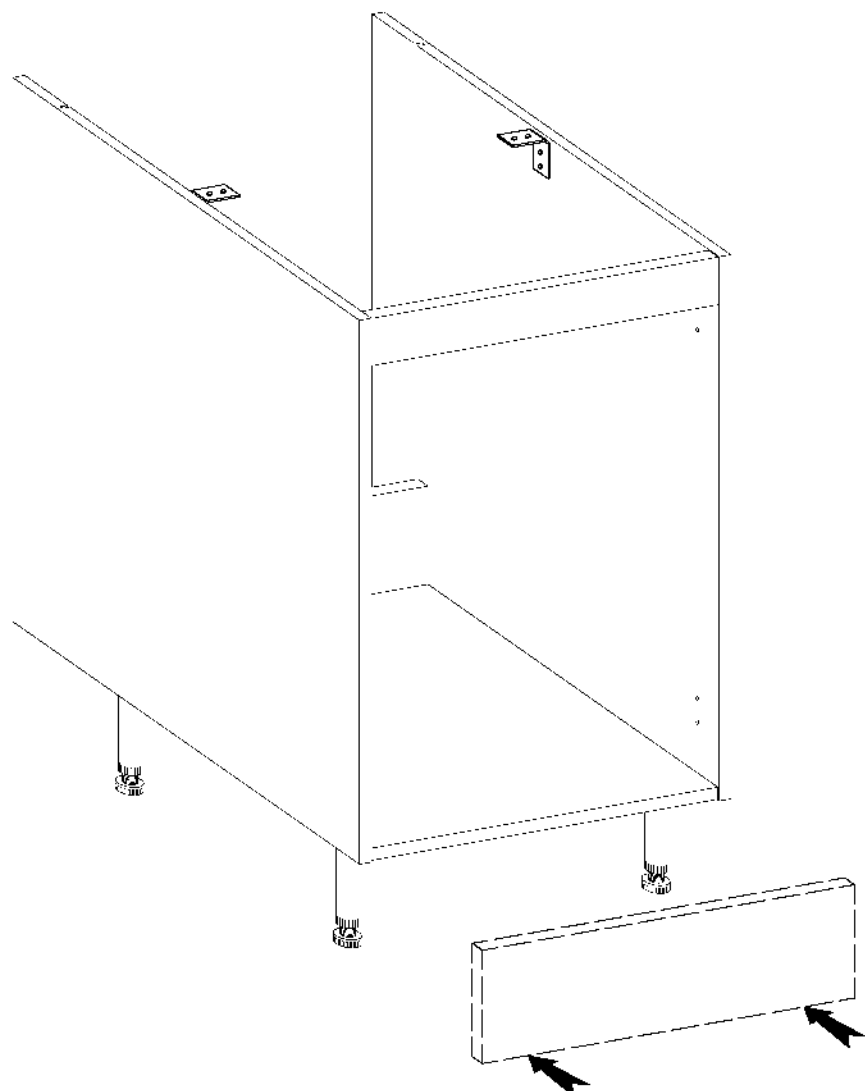
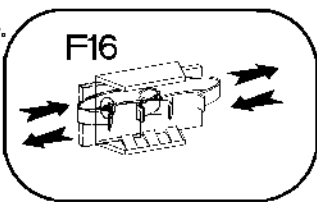
2.





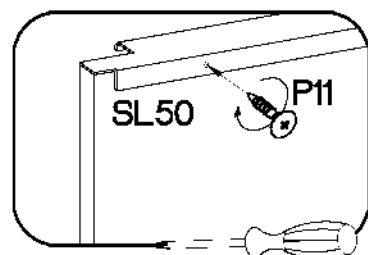
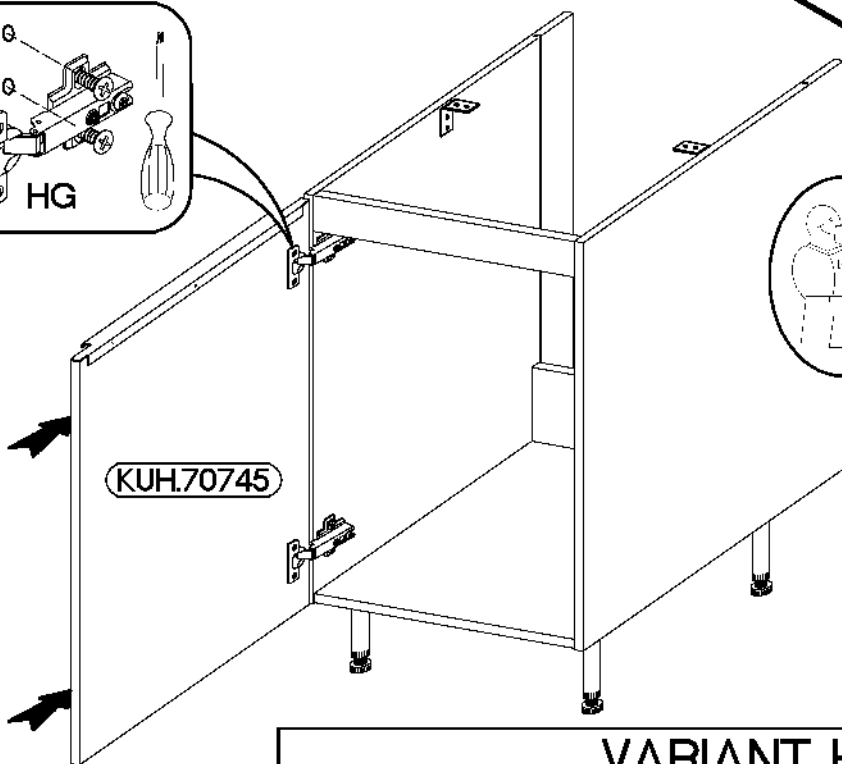
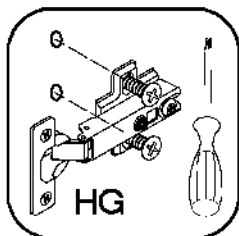
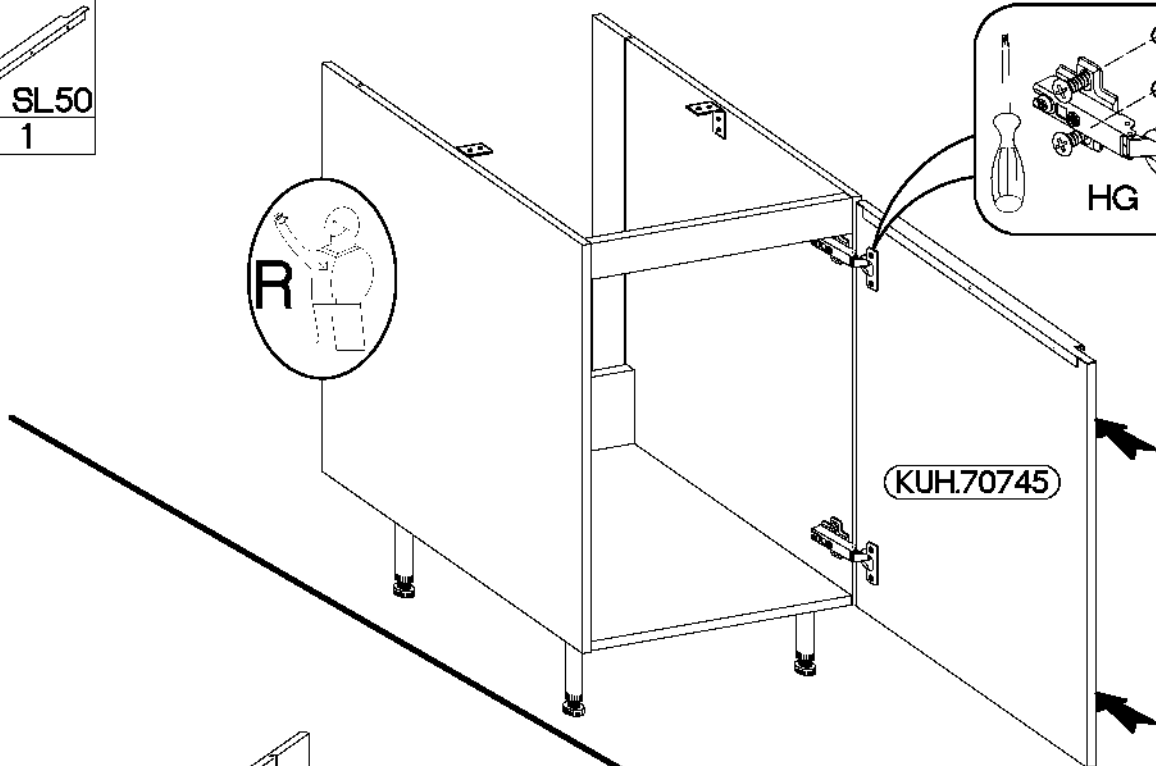
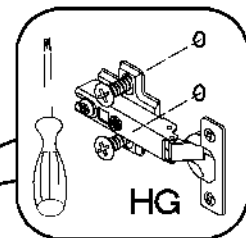
3.



4.

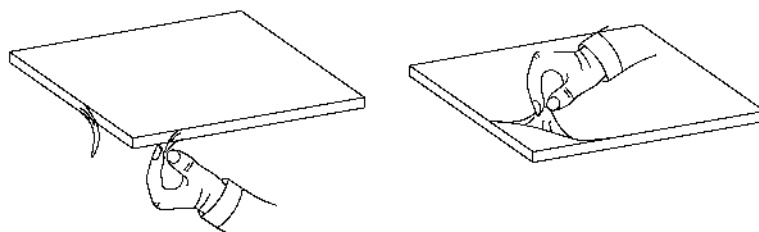


|  |  |
|--|--|
| ∅3.0x16mm  | L=495mm  |
|  |  |
| P11  | SL50   |
| 3  | 1  |



## VARIANT HIGH GLOSS

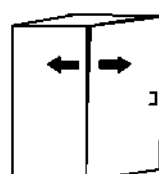
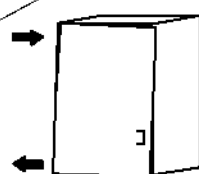
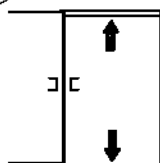
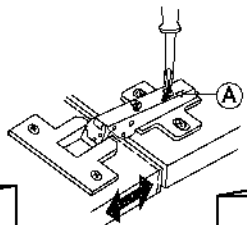
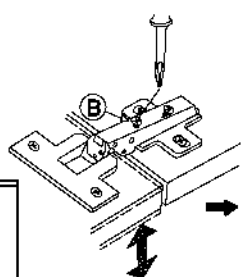
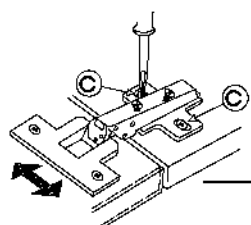
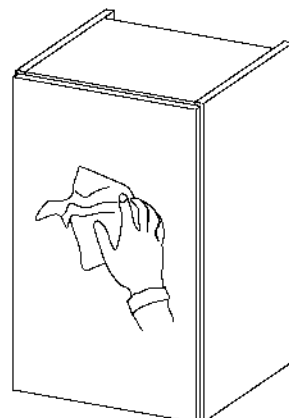
1.

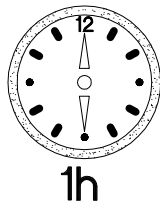
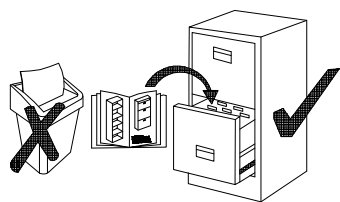
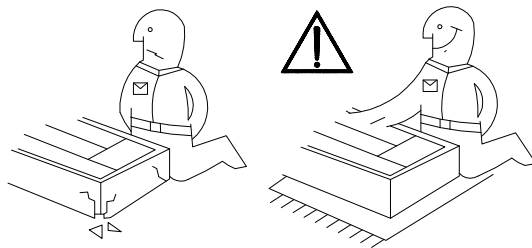
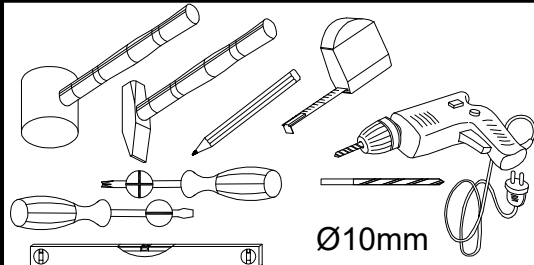
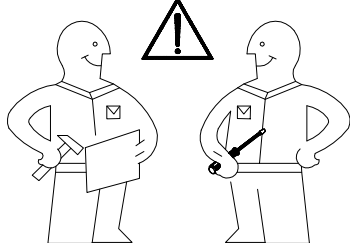


2.



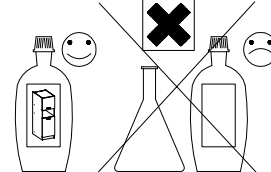
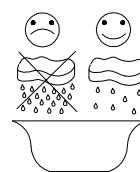
3.



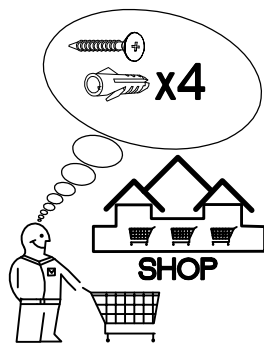
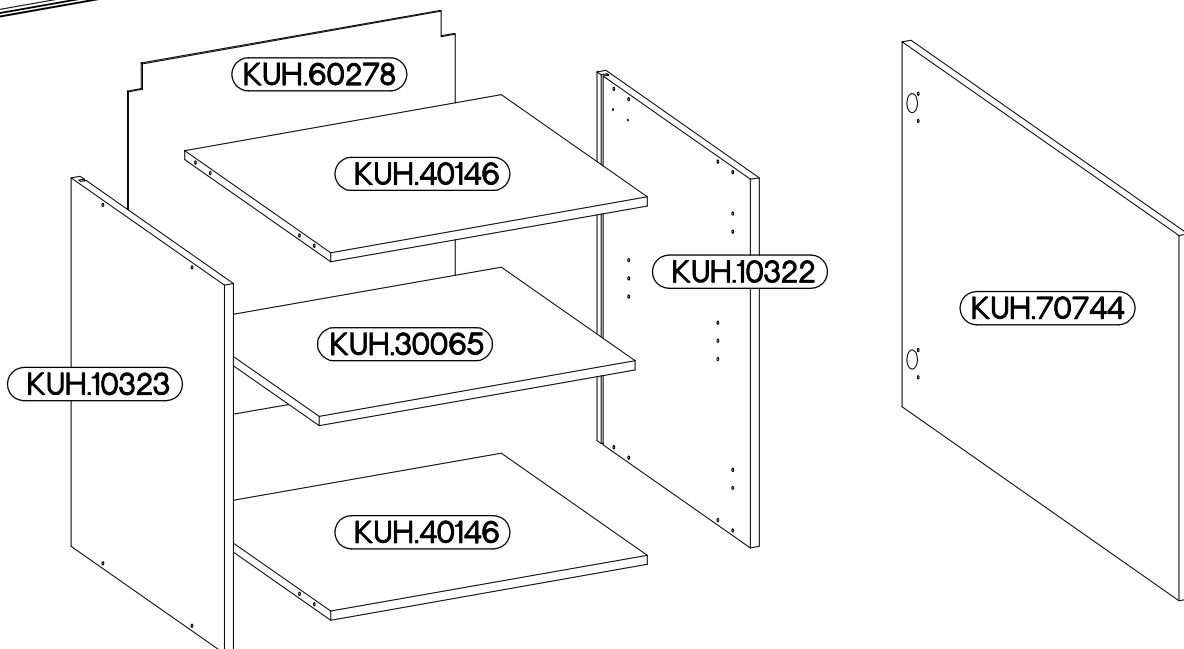
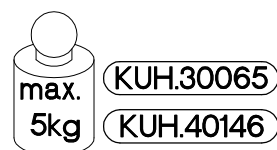
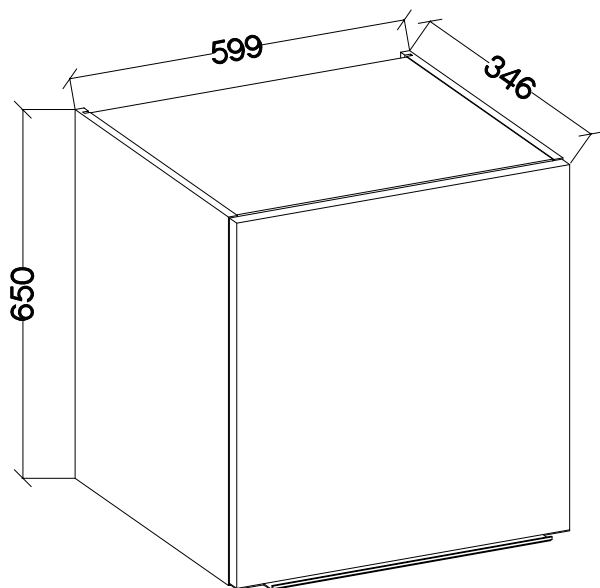


SAFADO / MARLEEN

84-170-...  
84-176-...  
84-17E-...



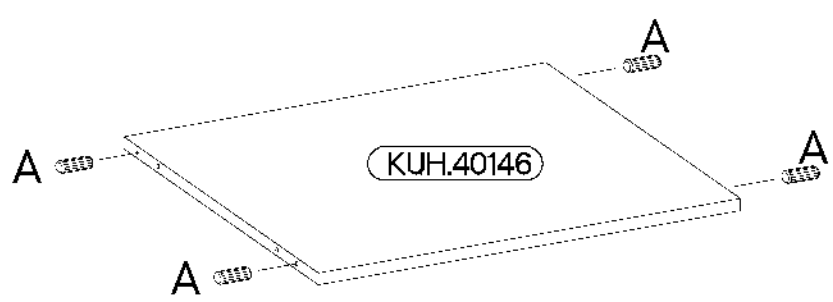
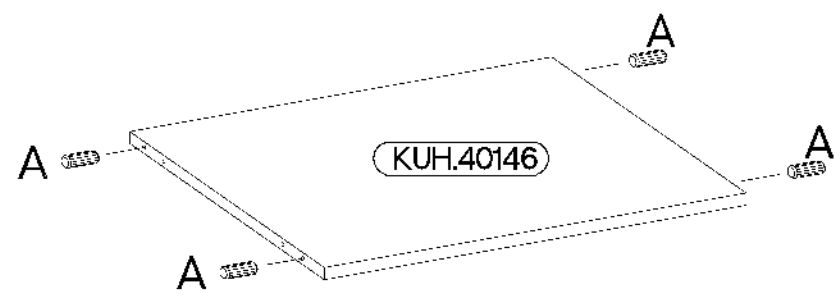
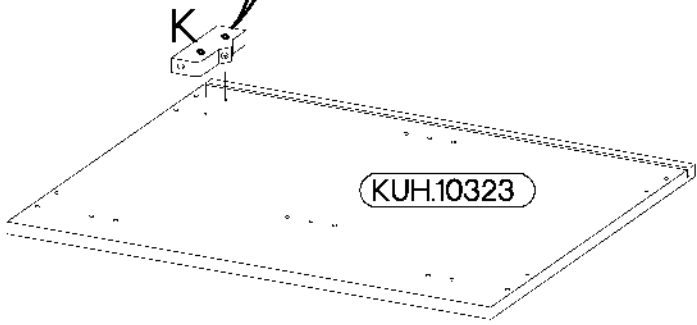
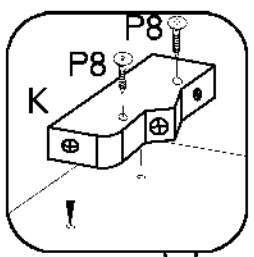
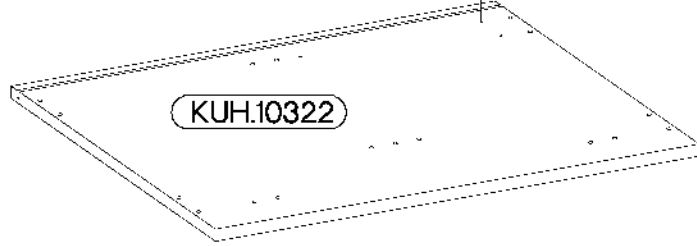
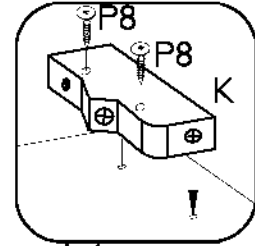
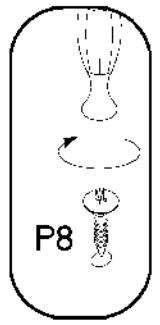
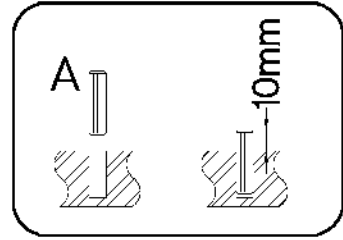
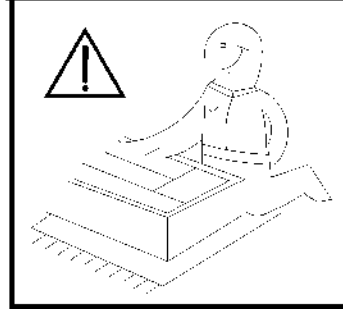
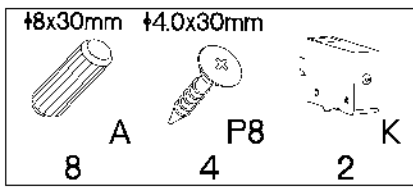
respekta®



|                           |                            |                            |                        |                          |            |               |
|---------------------------|----------------------------|----------------------------|------------------------|--------------------------|------------|---------------|
| <br>A<br>8                | <br>B<br>8                 | <br>E1<br>8                | <br>HG<br>2            | <br>J3<br>4              | <br>K<br>2 | <br>K16<br>2  |
| <br>O<br>1                | <br>P5<br>4                | <br>P7<br>10-15            | <br>P8<br>4            | <br>P11<br>4             | <br>R<br>2 | <br>SL60<br>1 |
| <br>+8x30mm<br>6,4 x 50mm | <br>+3.5x13mm<br>+3.0x20mm | <br>+4.0x30mm<br>+3.0x16mm | <br>+35/0mm<br>+5/16mm | <br>+4.0x25mm<br>L=595mm |            |               |

| Colli     | Spare Part   | Dimension   |
|-----------|--------------|-------------|
| Colli 5/6 | KUH.10322    | 650x330x16  |
|           | KUH.10323    | 650x330x16  |
|           | KUH.30065    | 566x288x16  |
|           | KUH.40146 x2 | 567x314x16  |
|           | KUH.60278    | 646x585x2,5 |
|           | KUH.70744    | 644x596x16  |

ISM-KUH-01604



2

6,4 x 50mm



4

B



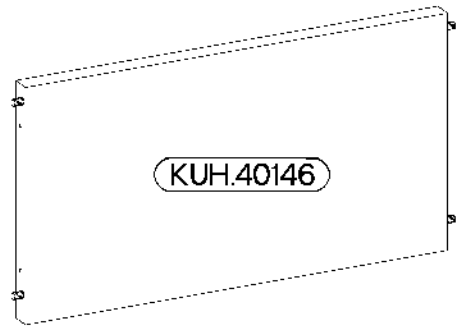
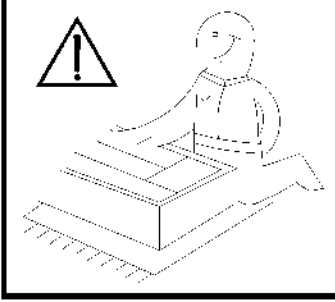
1

O

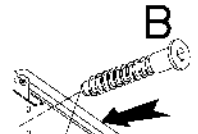


4

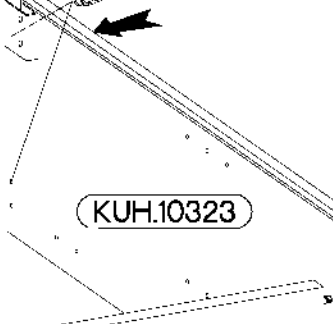
E1



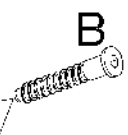
KUH.40146



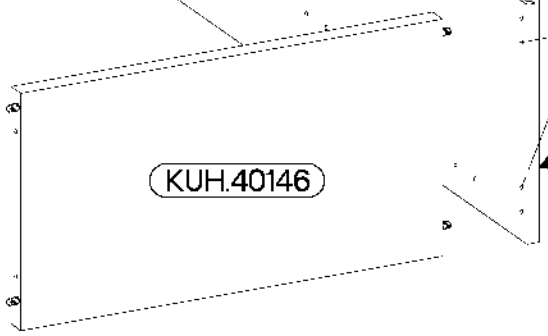
B



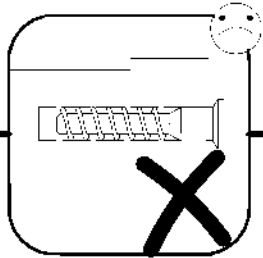
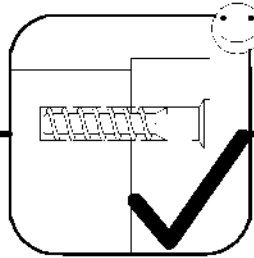
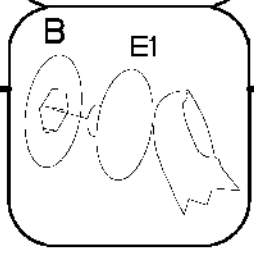
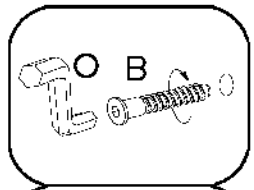
KUH.10323



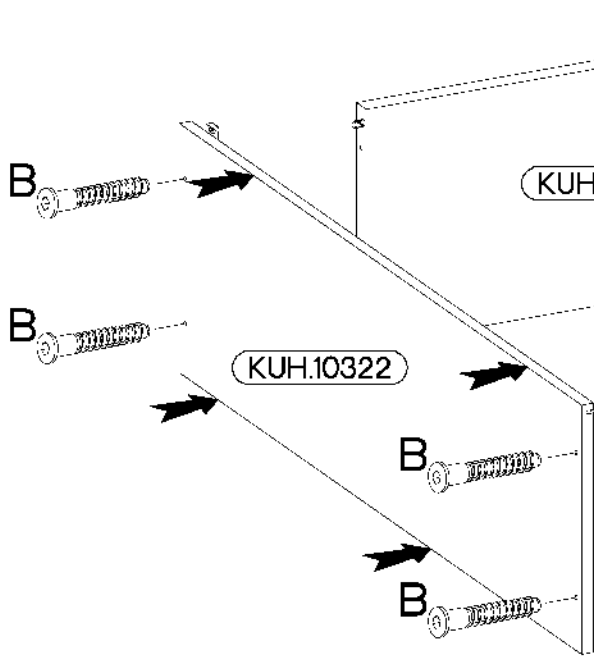
B



KUH.40146



3



KUH.40146

KUH.10322

KUH.10323

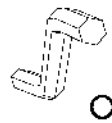
KUH.40146

6,4 x 50mm



4

B



1

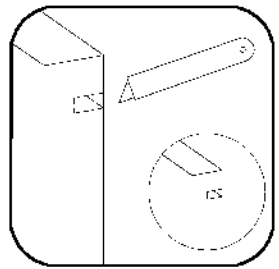
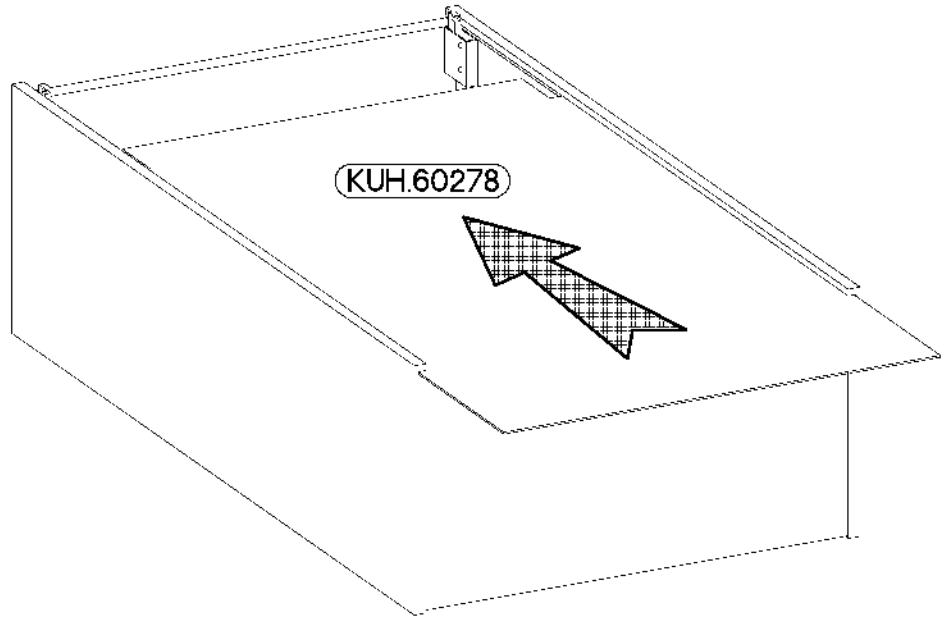
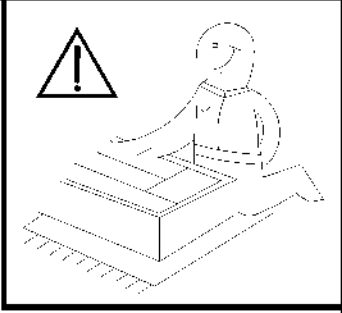
O



4

E1

4



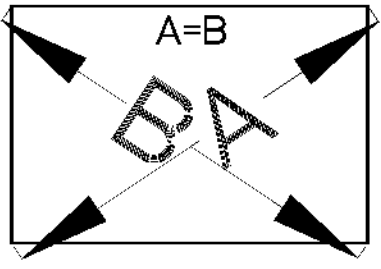
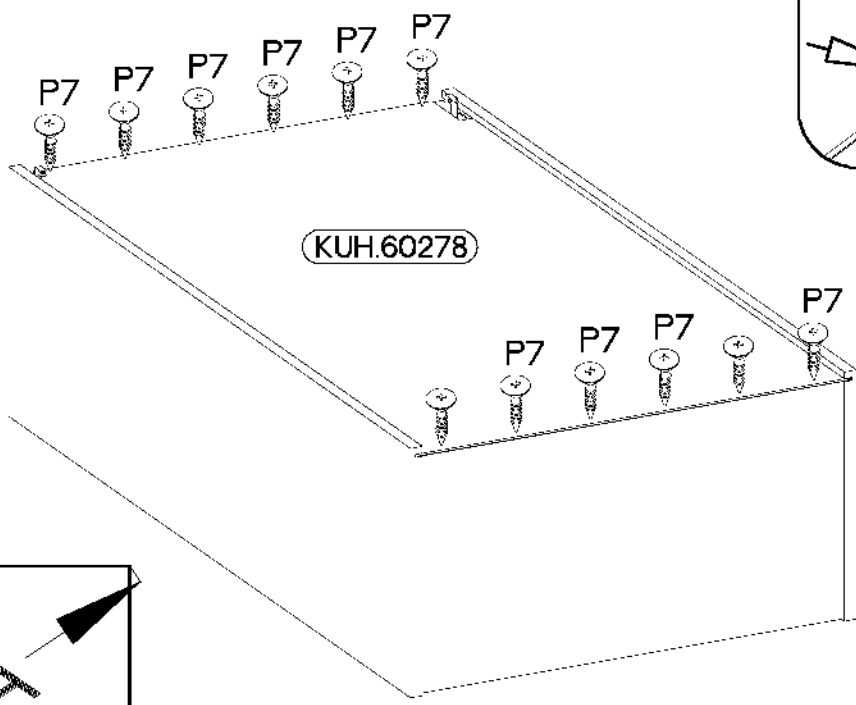
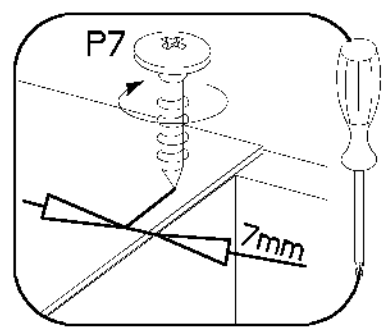
5

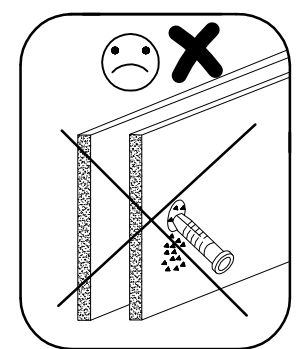
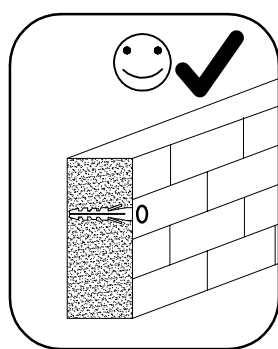
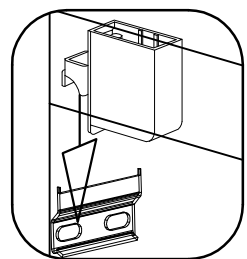
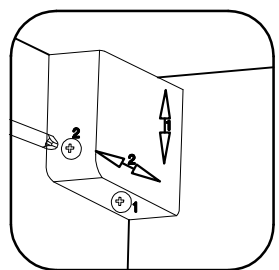
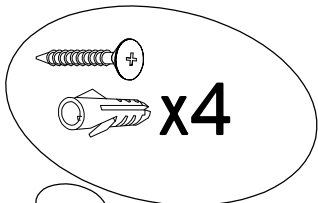
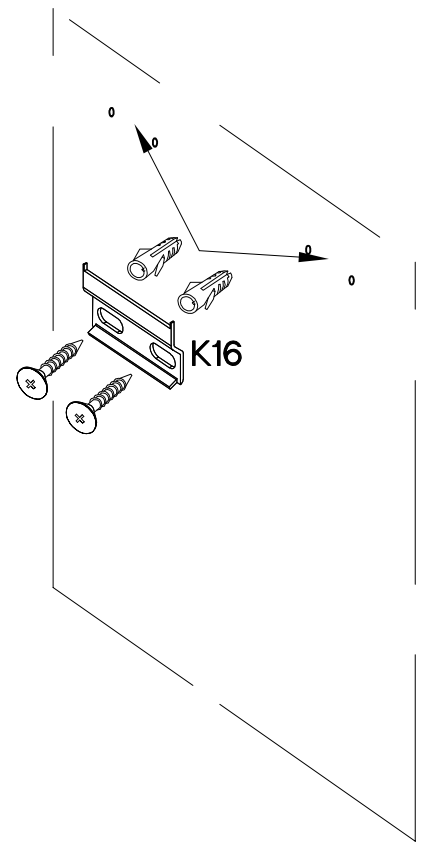
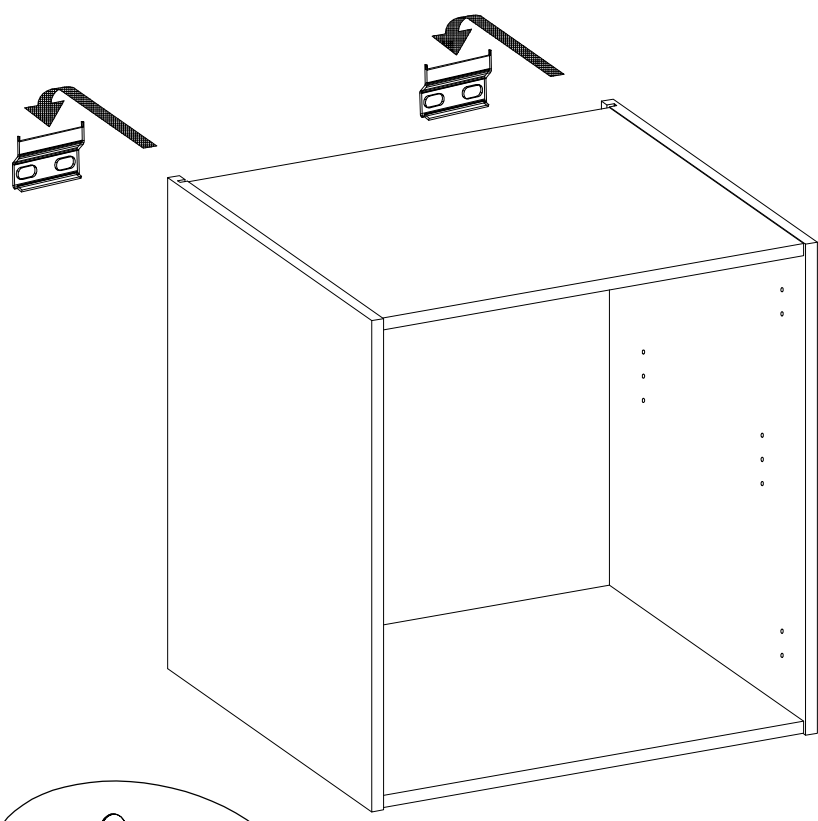
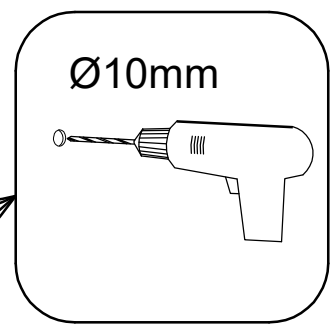
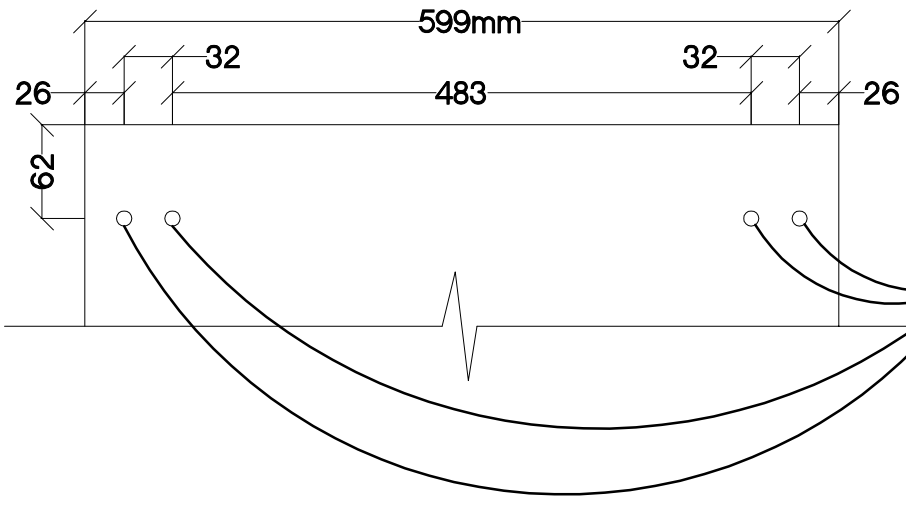
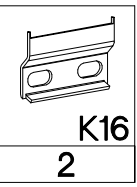
φ3.0x20mm



P7

10-15

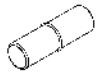






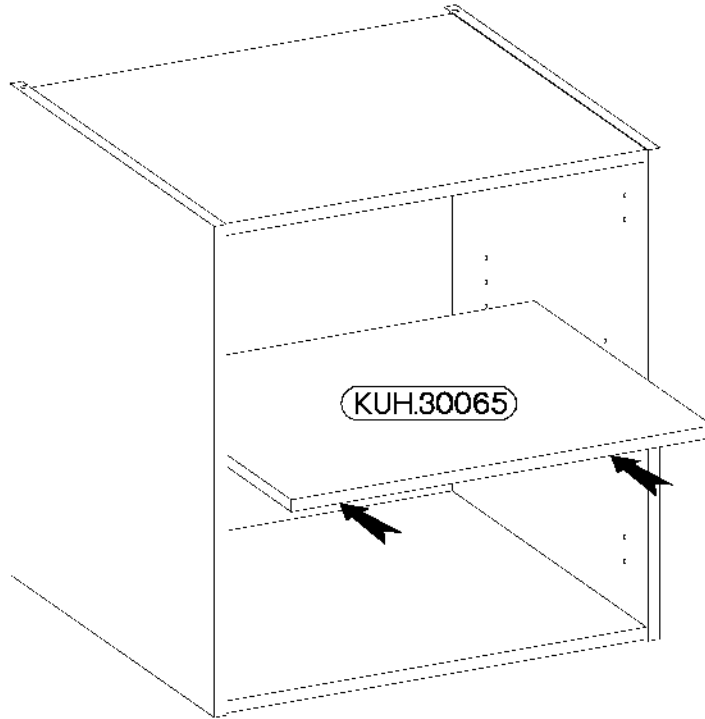
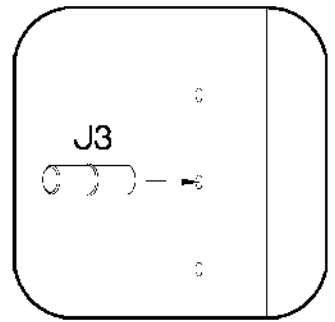


±5/16mm



J3

4



8

±35/0mm

±3.5x13mm



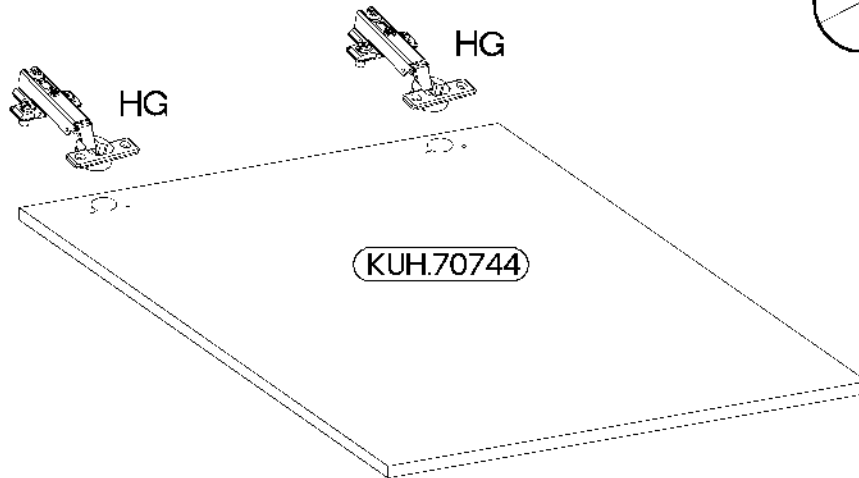
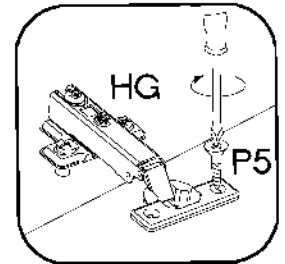
HG

2


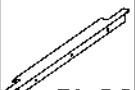


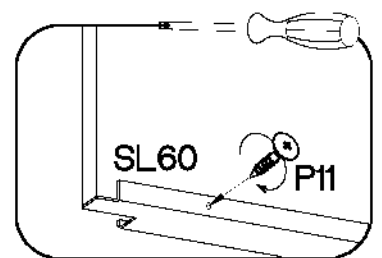
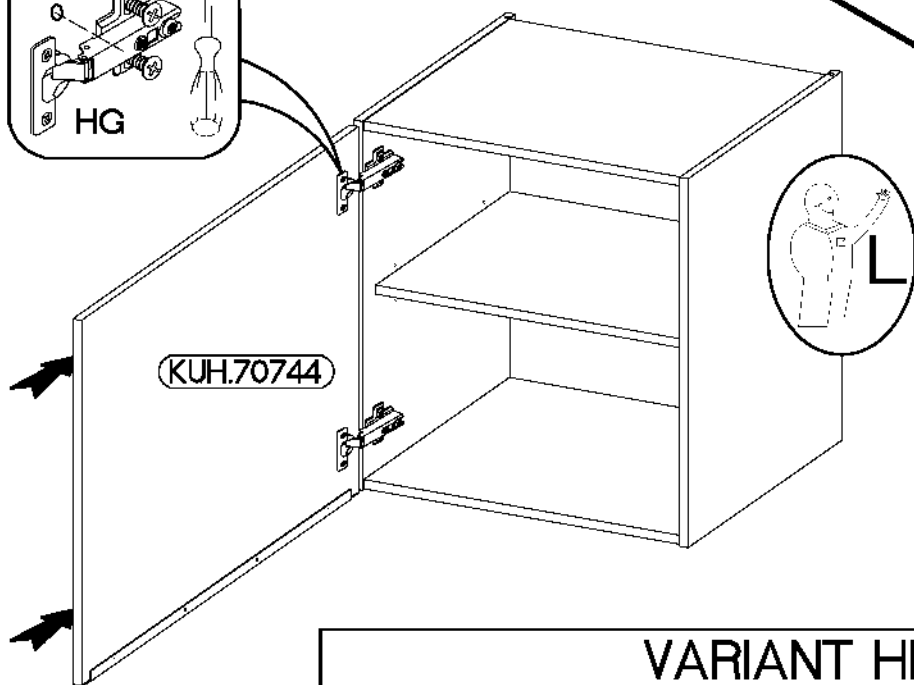
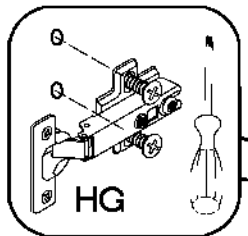
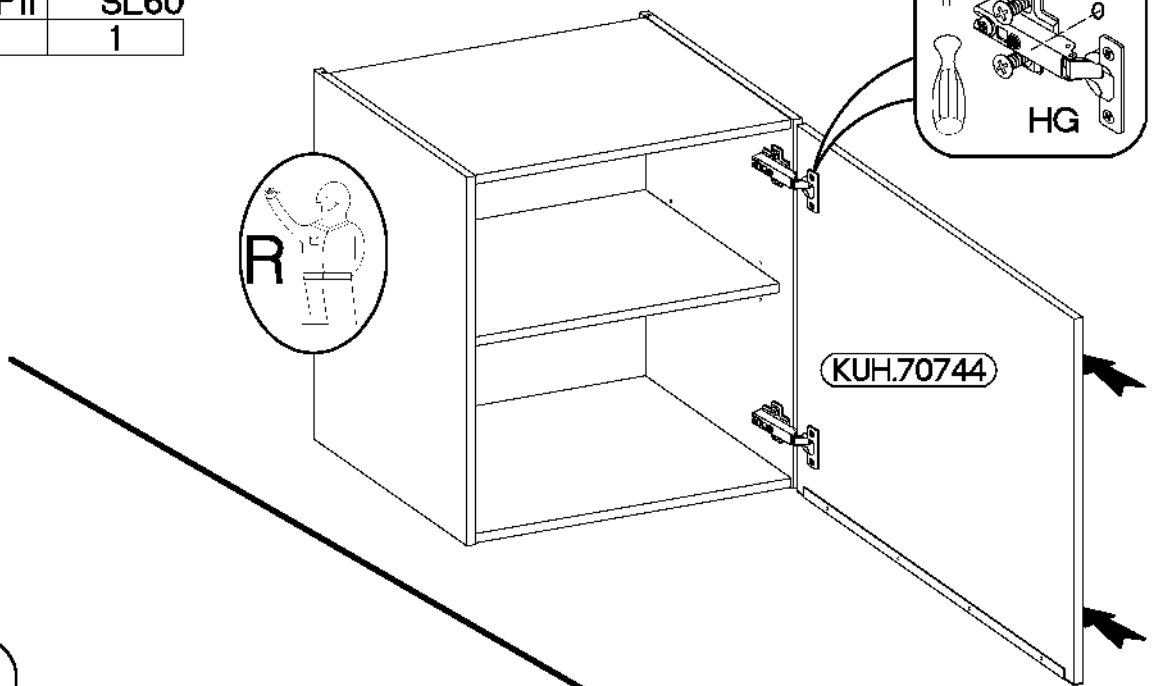
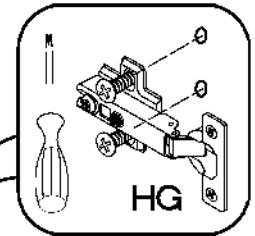
P5

4

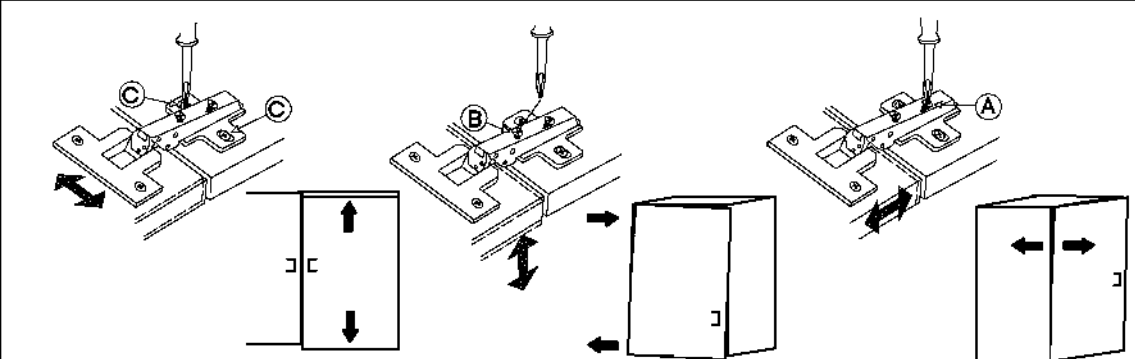
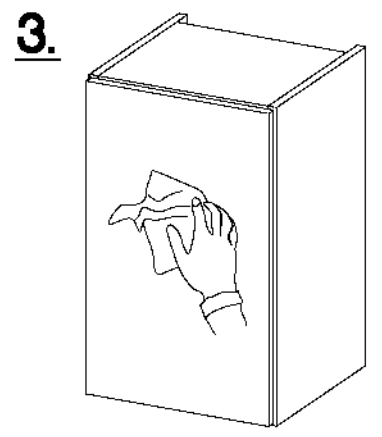
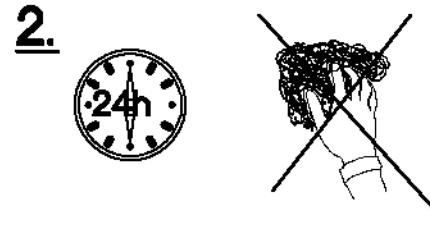
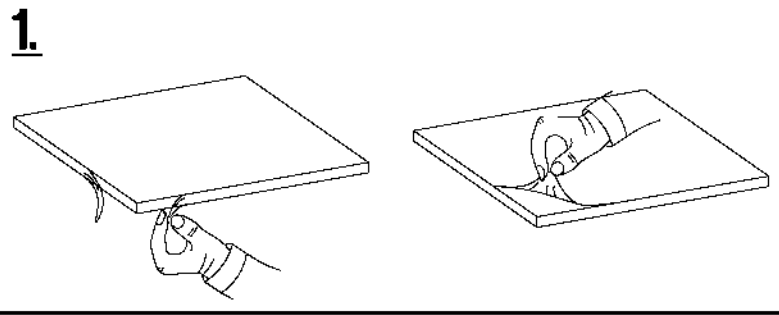


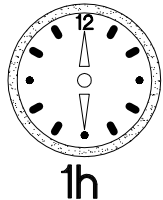
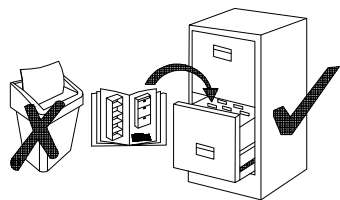
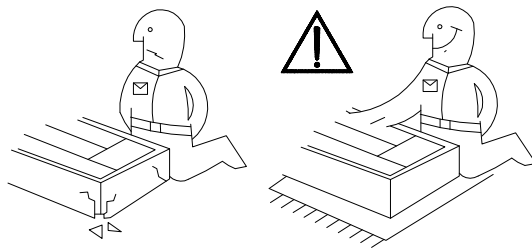
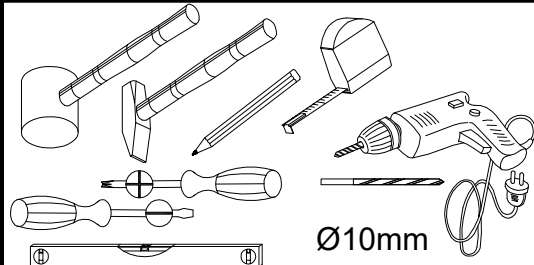
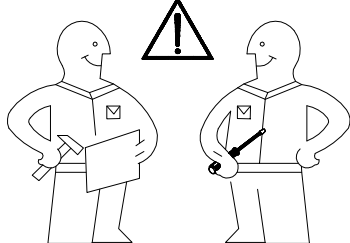
9

|  |  |
|--|--|
| 3.0x16mm   | L=595mm  |
|  |  |
| P11  | SL60   |
| 4  | 1  |



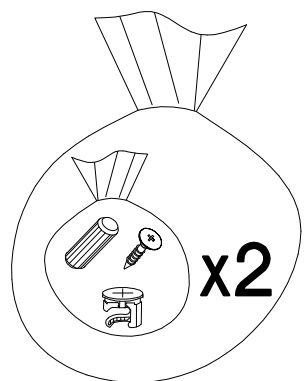
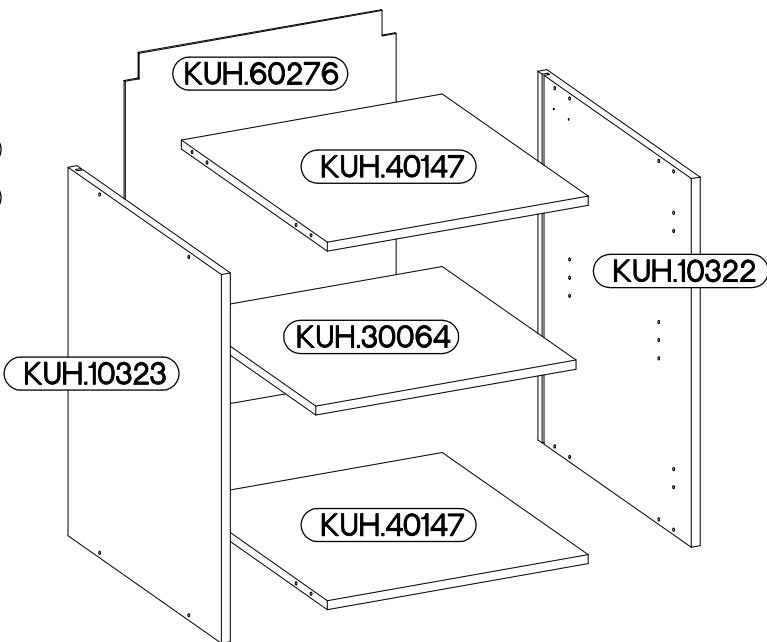
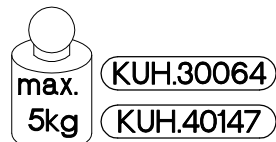
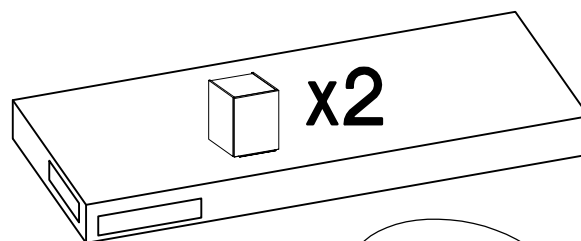
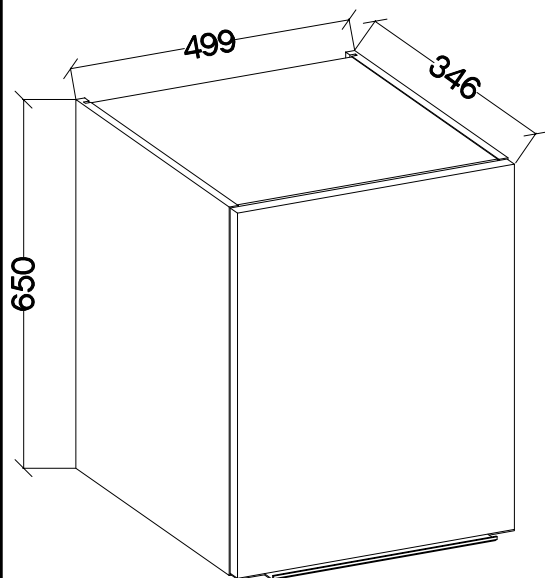
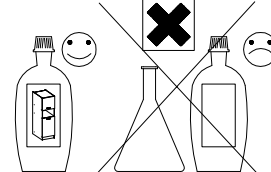
VARIANT HIGH GLOSS





**SAFADO / MARLEEN**

84-170-...  
84-176-...  
84-17D-...

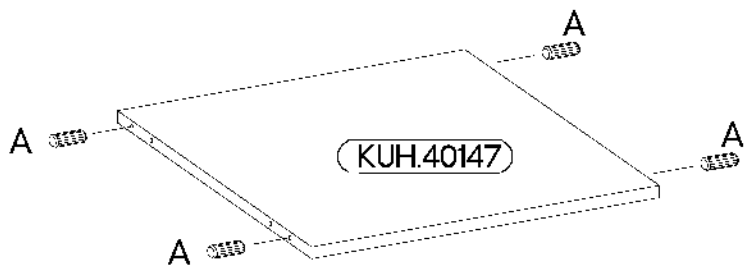
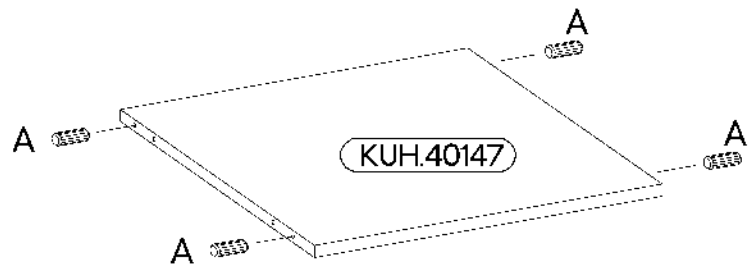
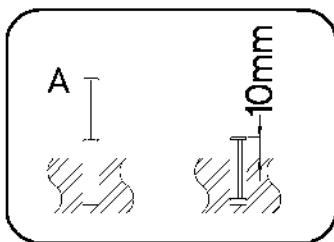
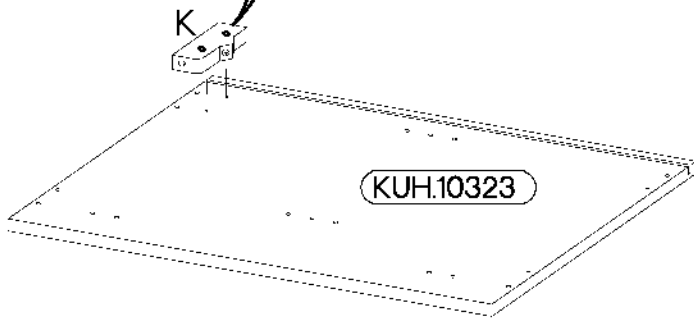
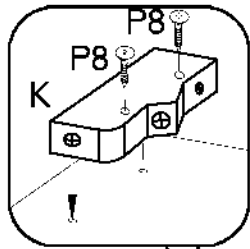
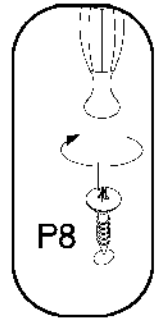
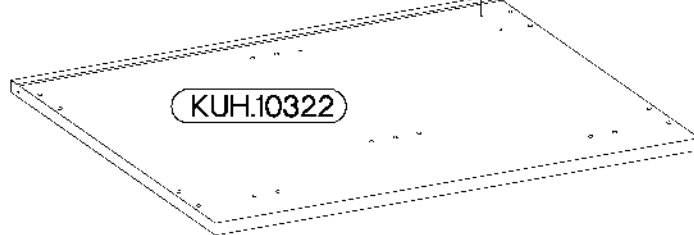
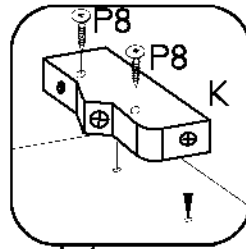
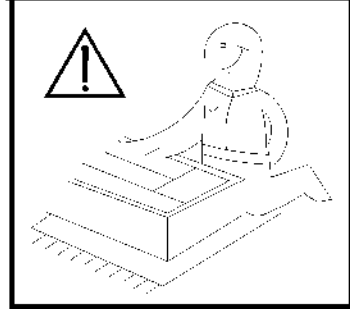
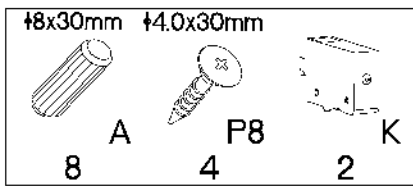


|              |            |                  |                |             |              |
|--------------|------------|------------------|----------------|-------------|--------------|
| <br>A<br>8   | <br>B<br>8 | <br>E1<br>8      | <br>HG<br>2    | <br>J3<br>4 | <br>K<br>2   |
| <br>K16<br>2 | <br>O<br>1 | <br>P5<br>4      | <br>P7<br>8-10 | <br>P8<br>4 | <br>P11<br>3 |
|              |            | <br>L=495mm<br>1 |                |             |              |

| Colli     | Spare Part   | Dimension   |
|-----------|--------------|-------------|
| Colli 4/6 | KUH.10322    | 650x330x16  |
|           | KUH.10323    | 650x330x16  |
|           | KUH.30064    | 466x288x16  |
|           | KUH.40147 x2 | 467x314x16  |
|           | KUH.60276    | 646x485x2,5 |
|           | KUH.70743    | 644x496x16  |

**x2**

**ISM-KUH-01605**



2

6,4 x 50mm



4

B



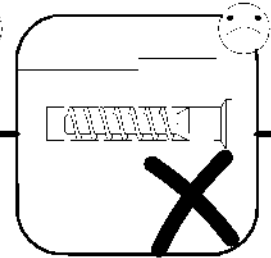
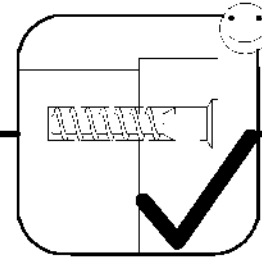
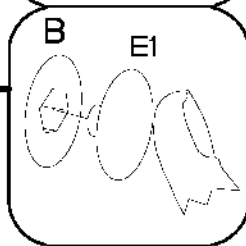
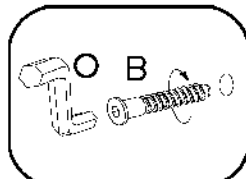
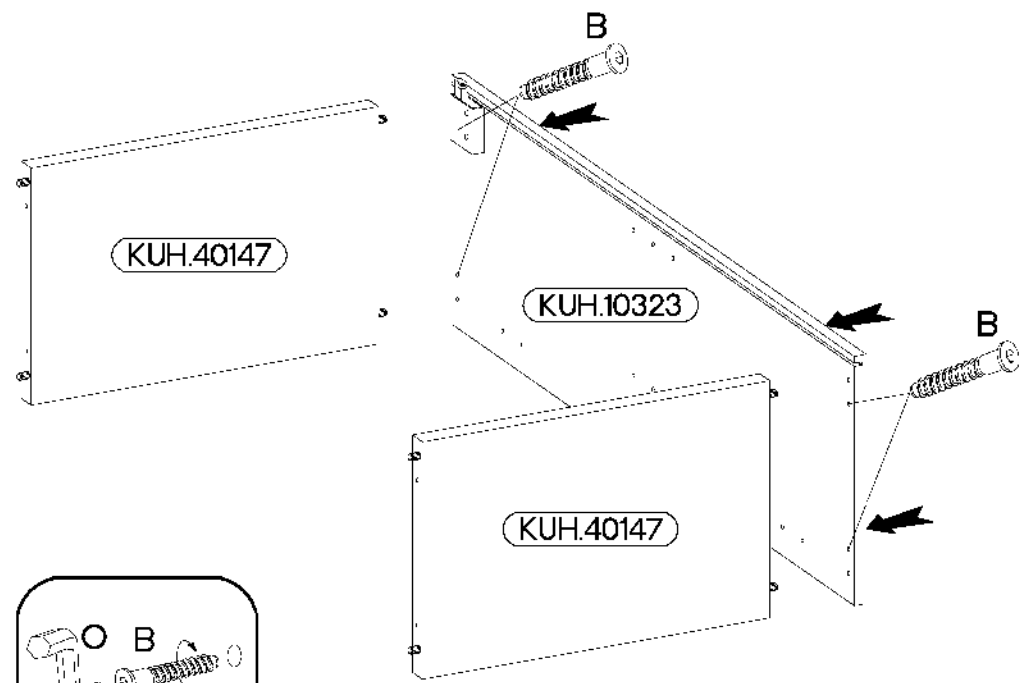
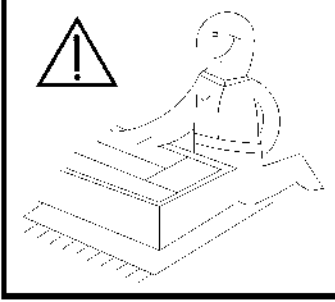
1

O

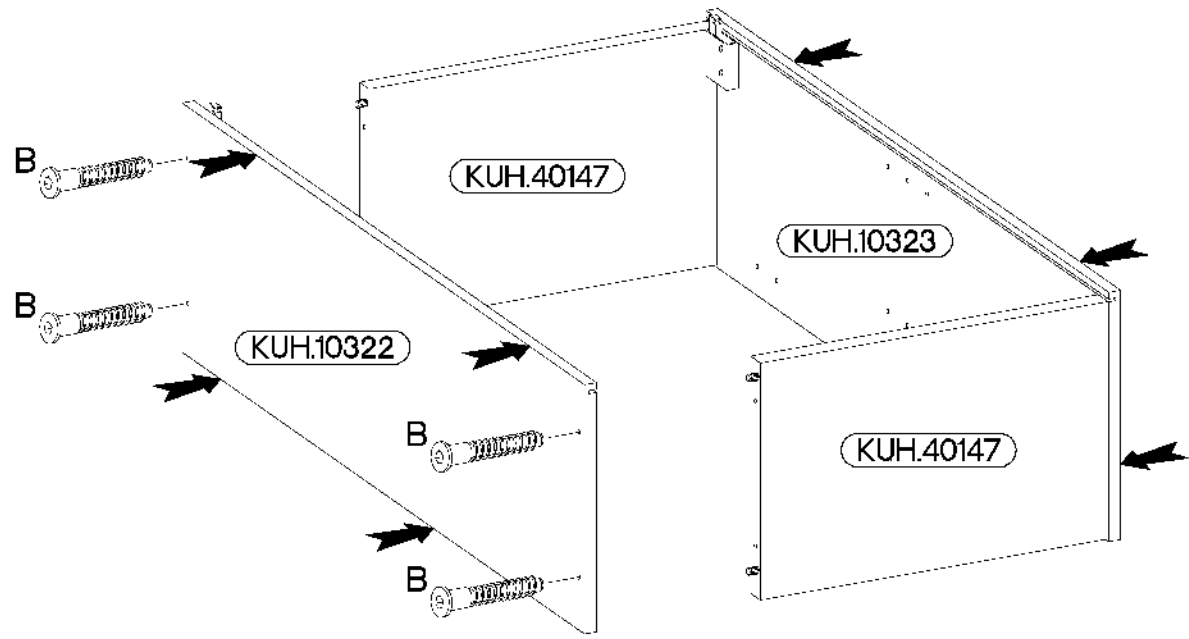


4

E1



3

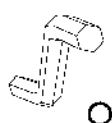


6,4 x 50mm



4

B



1

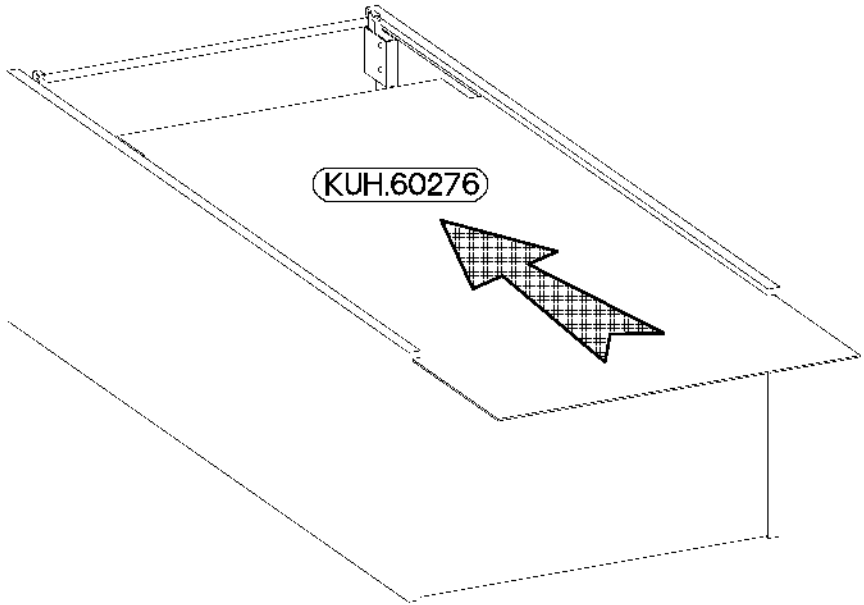
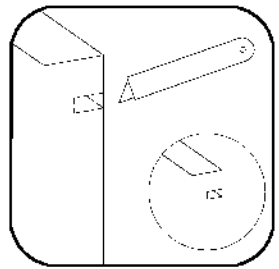
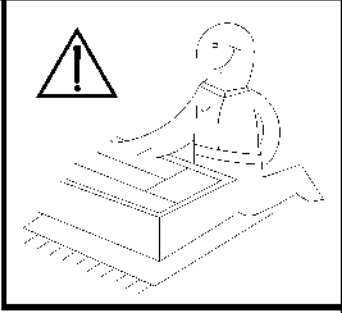
O



4

E1

4



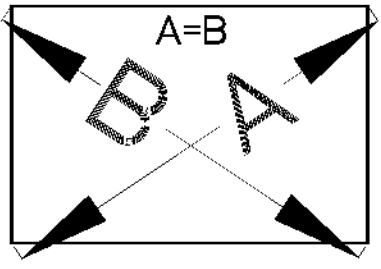
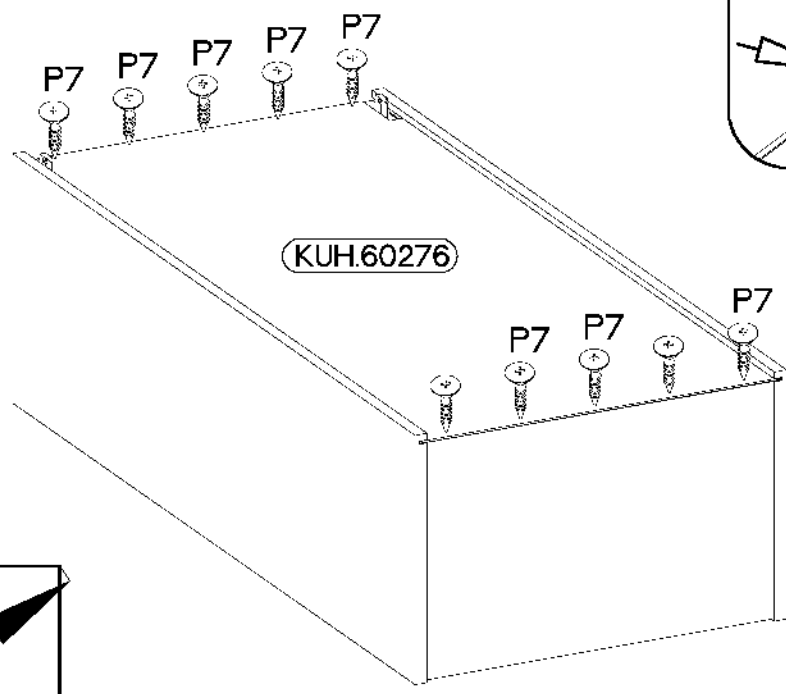
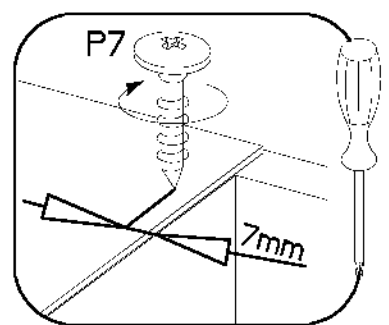
5

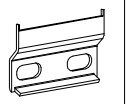
±3.0x20mm



P7

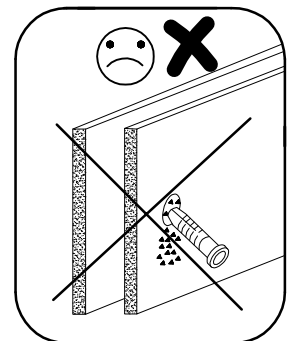
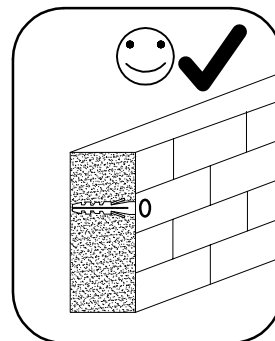
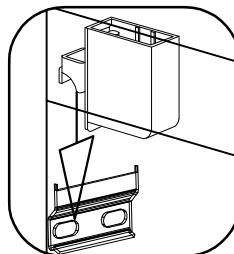
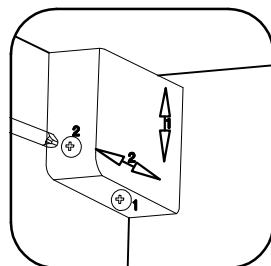
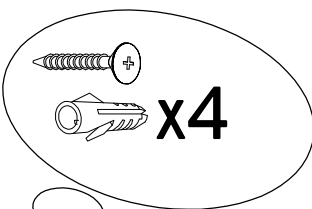
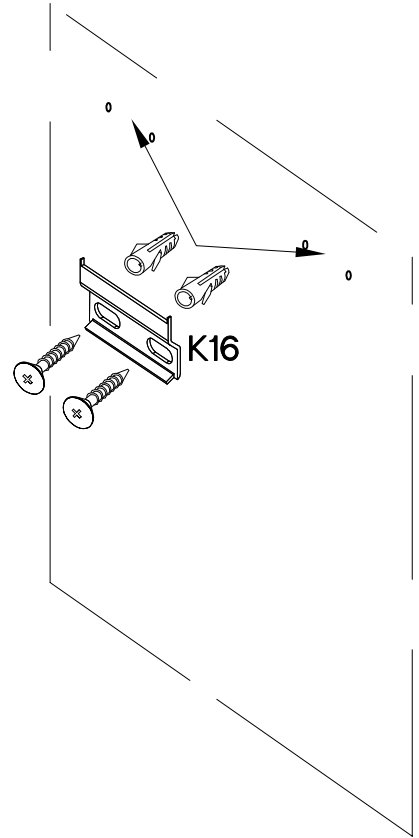
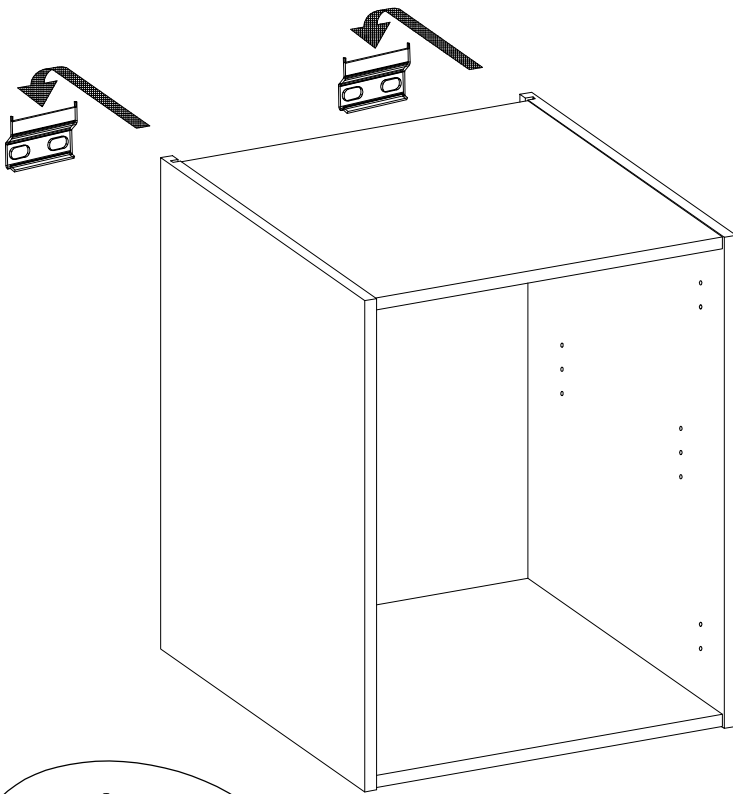
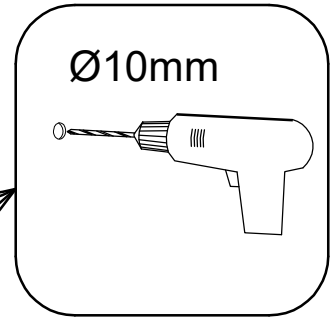
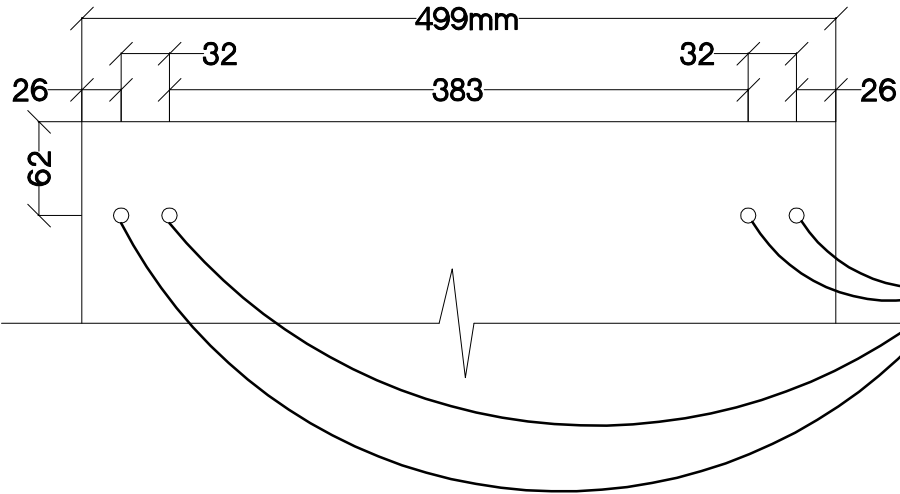
8-10





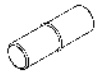
K16

2



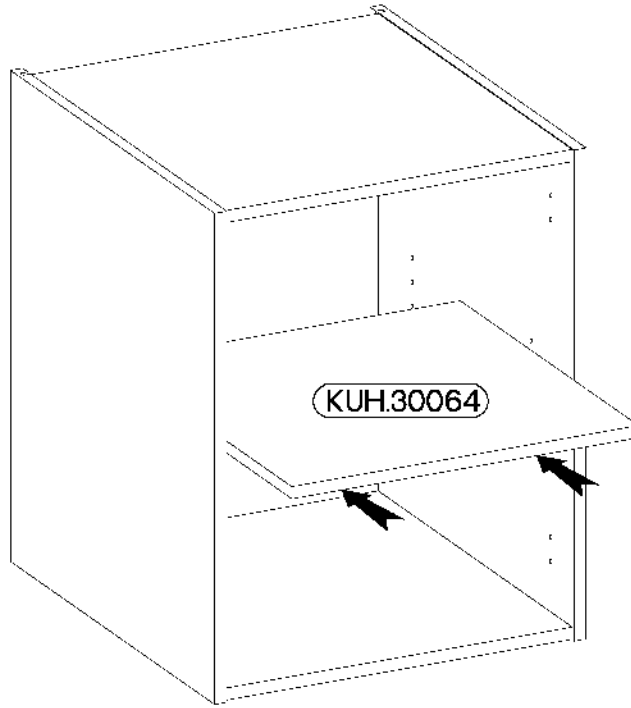
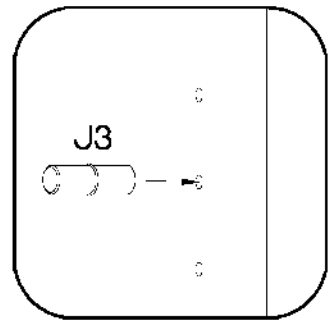


±5/16mm



J3

4



8

±35/0mm

±3.5x13mm



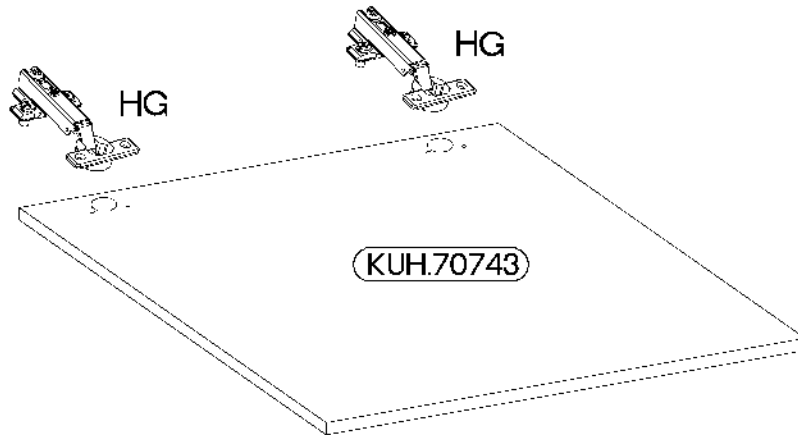
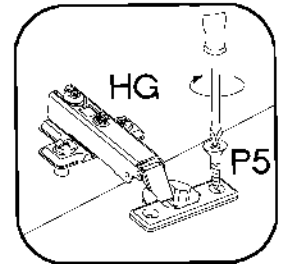
HG

2





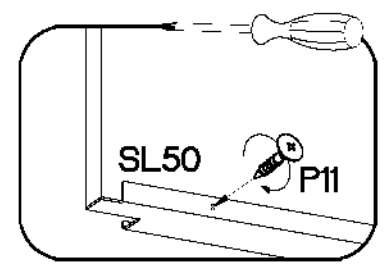
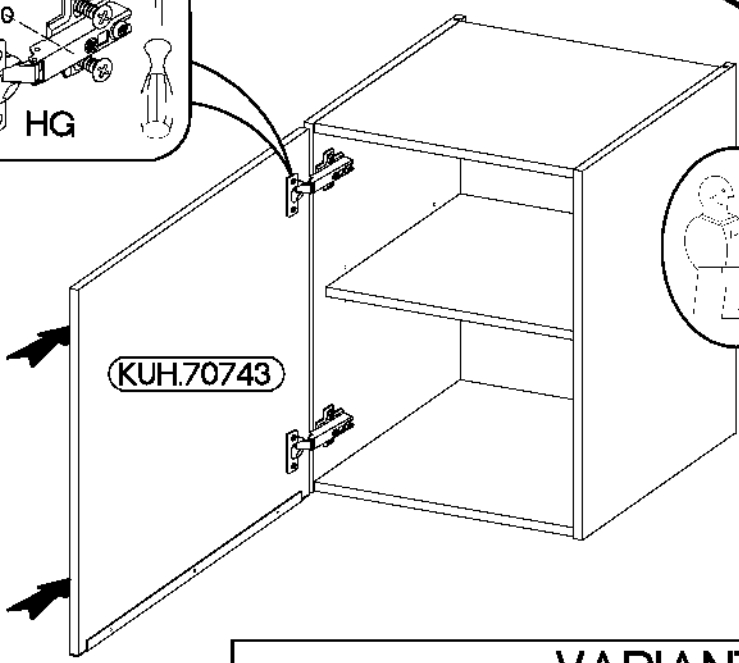
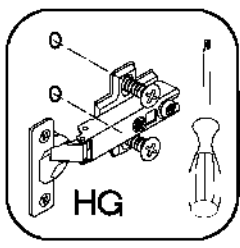
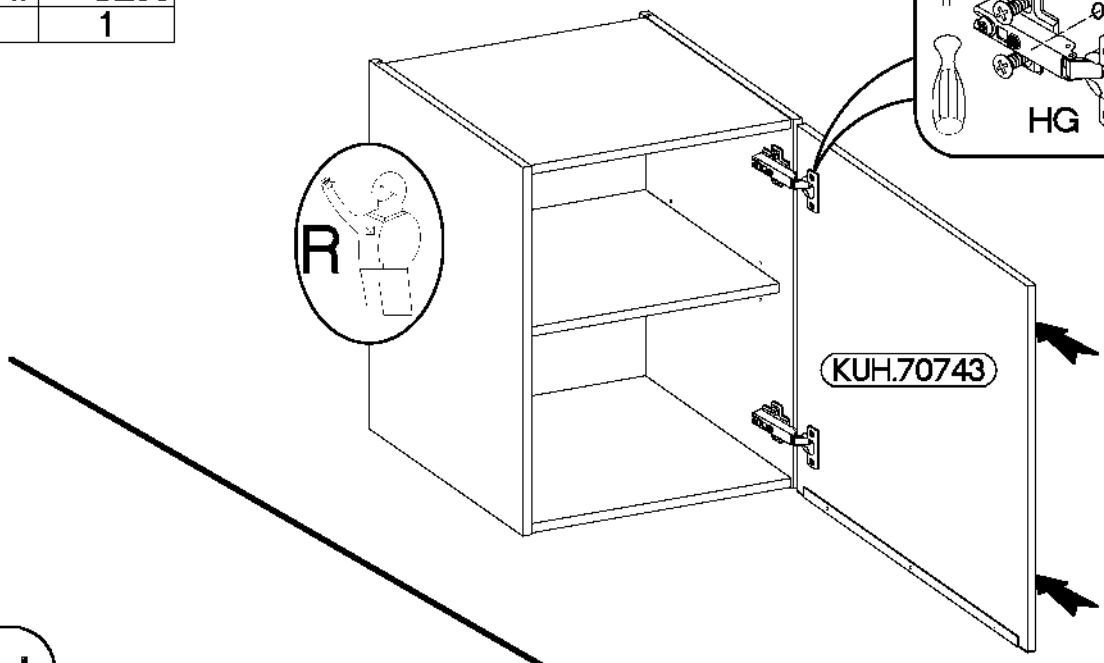
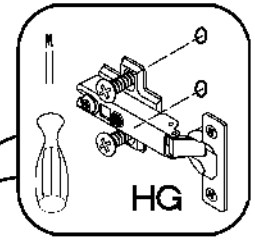
P5

4

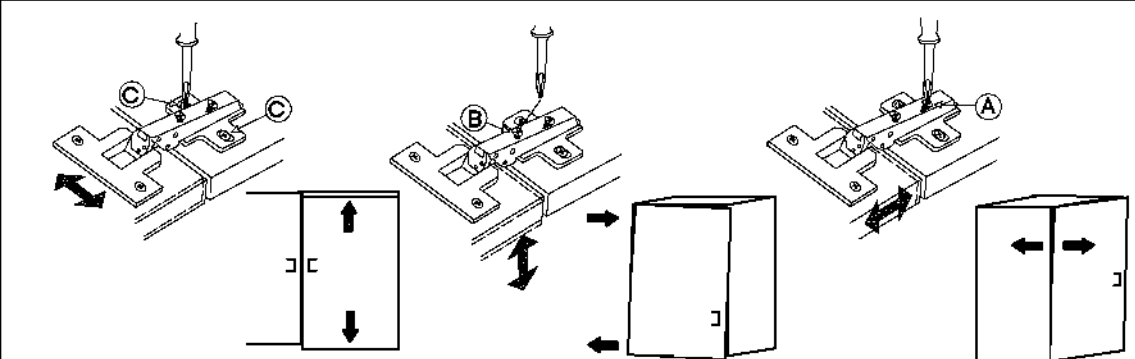
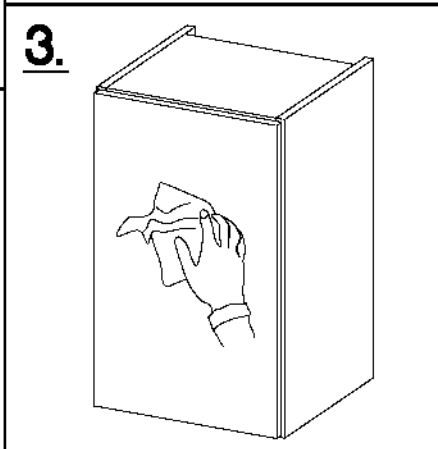
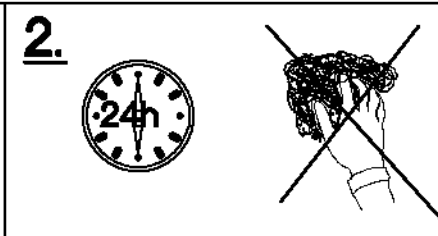
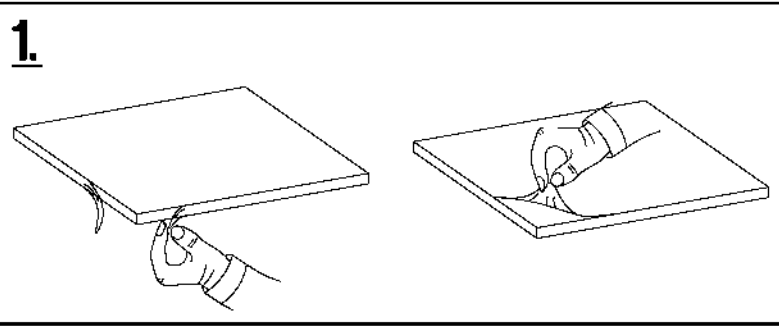


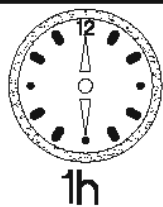
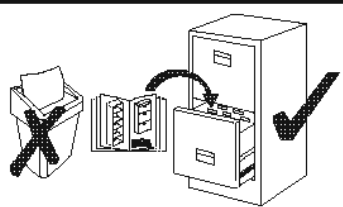
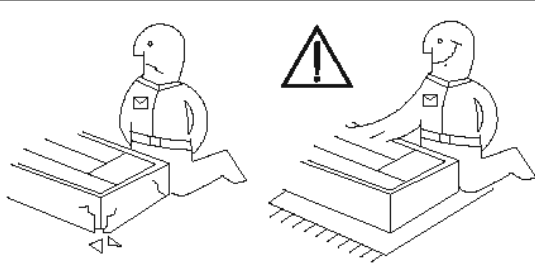
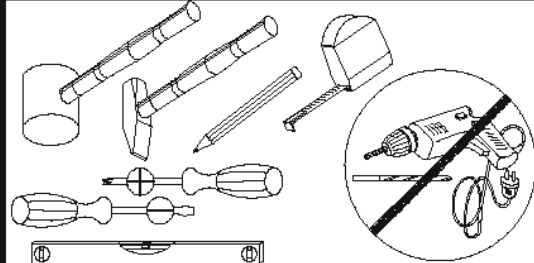
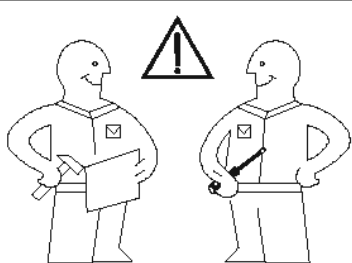


|  |  |
|--|--|
| ∅3.0x16mm  | L=495mm  |
|  |  |
| P11  | SL50   |
| 3  | 1  |



VARIANT HIGH GLOSS



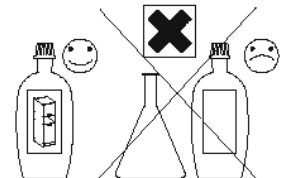


SAFADO / MARLEEN

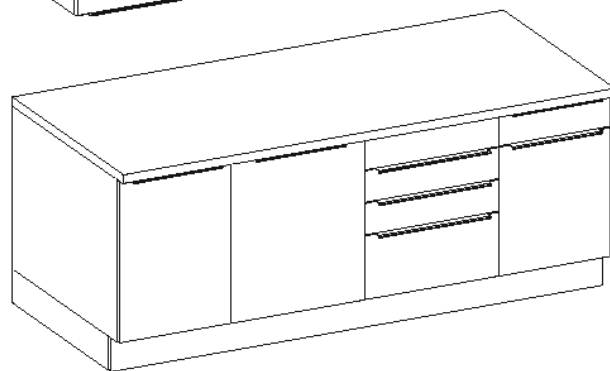
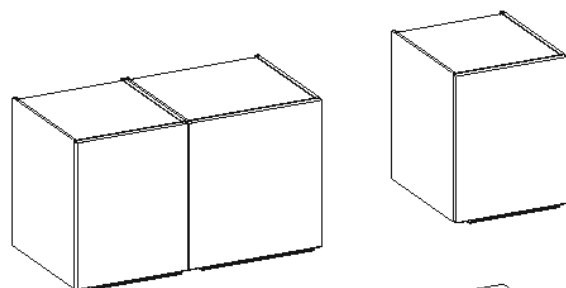
84-170-...

84-176-...

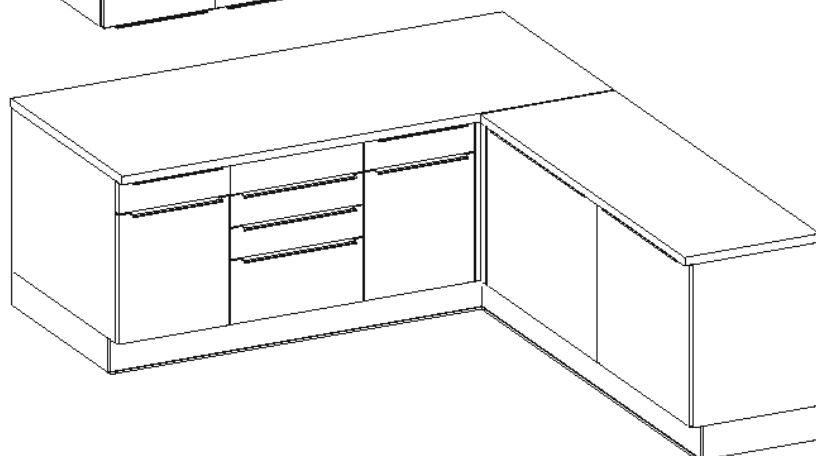
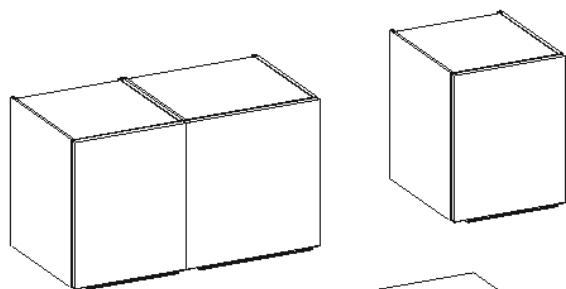
84-17F-...



**RESPEKTA®**



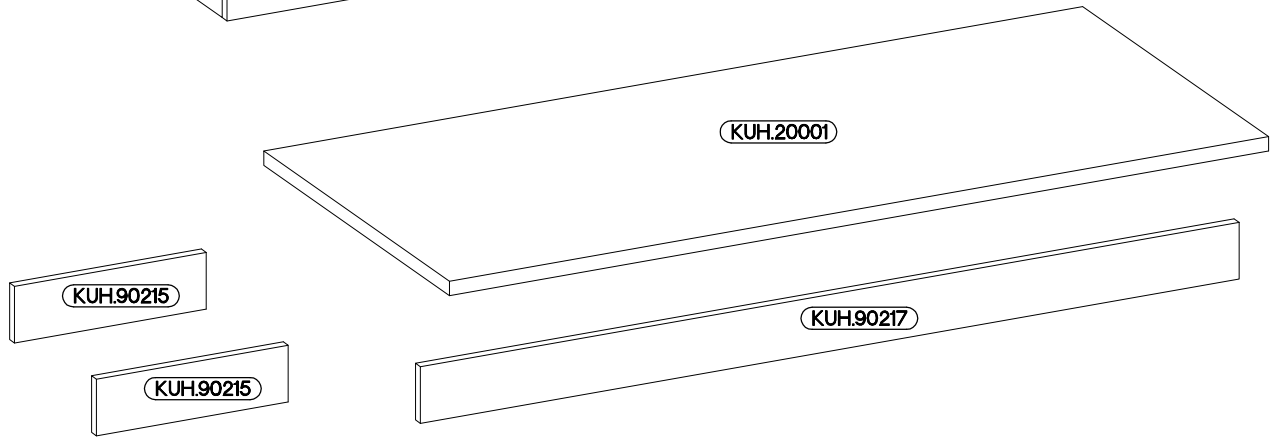
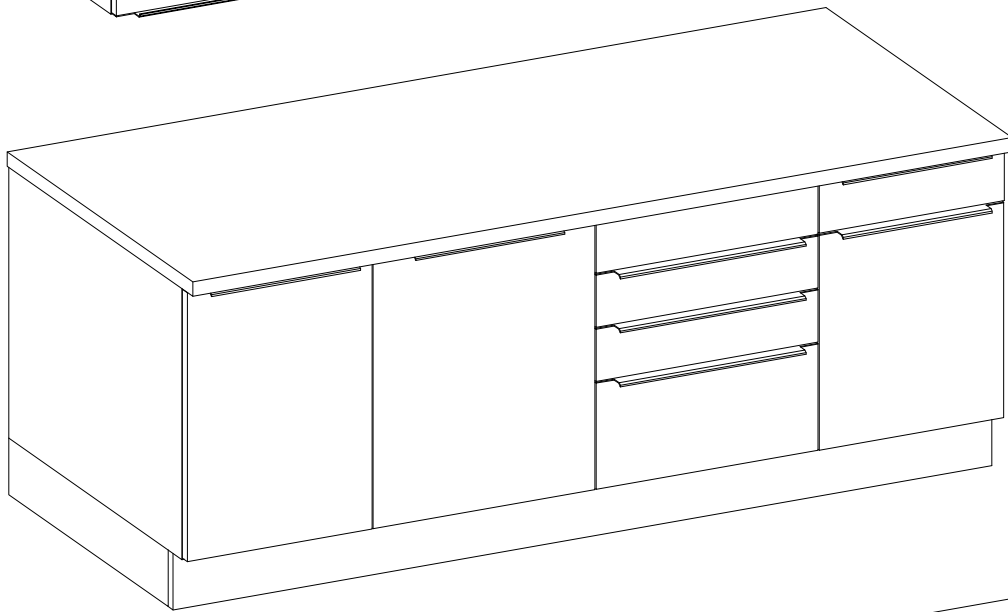
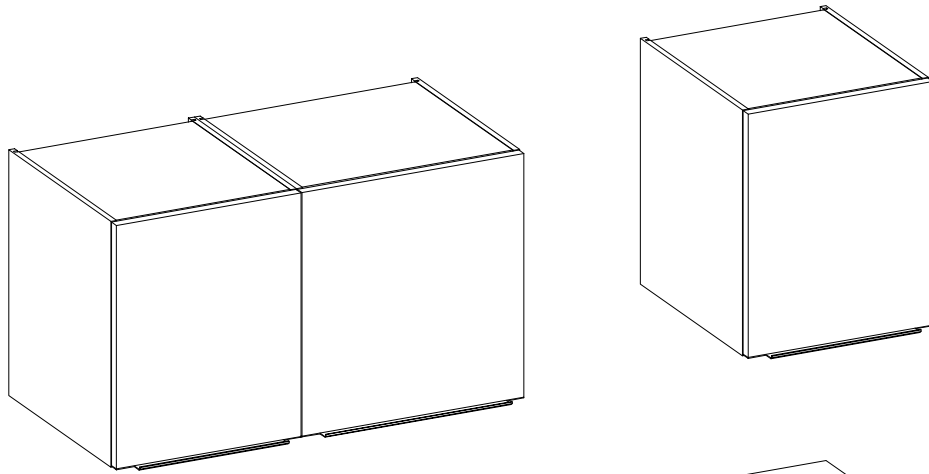
VARIANT 1



VARIANT 2

ISM-KUH-01597

# VARIANT 1



| Colli        | Spare Part   | Dimension   |
|--------------|--------------|-------------|
| Colli<br>6/6 | KUH.20001    | 2200x600x38 |
|              | KUH.90215 x2 | 515x150x16  |
|              | KUH.90217    | 2199x150x16 |

±3.5x13mm



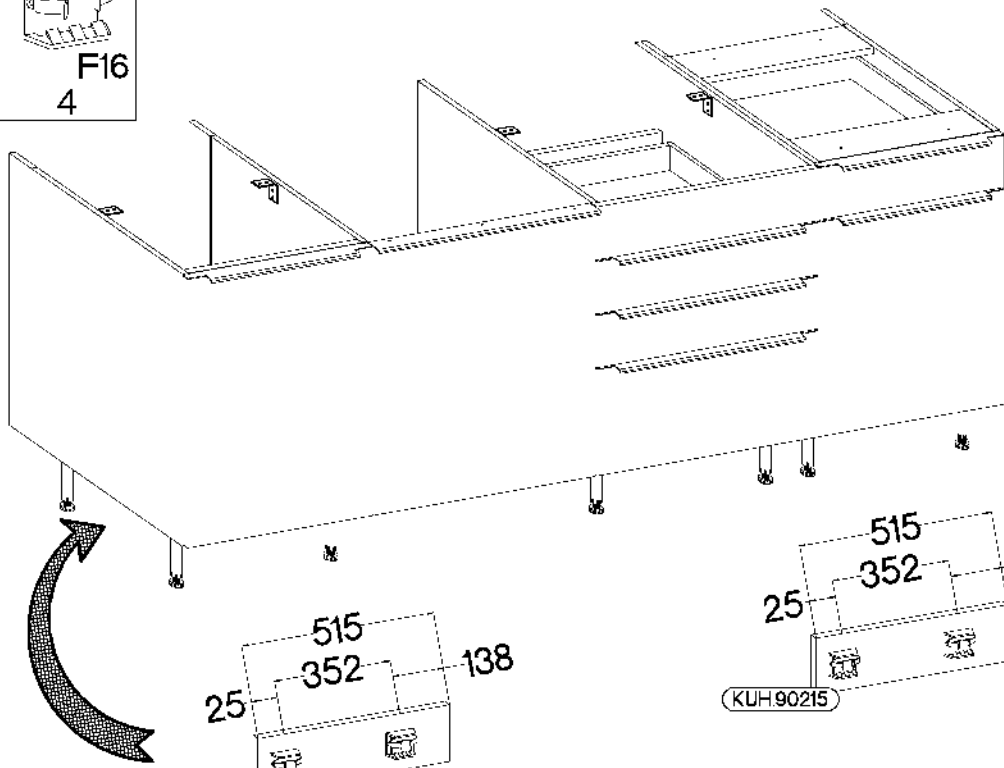
P5

8



F16

4

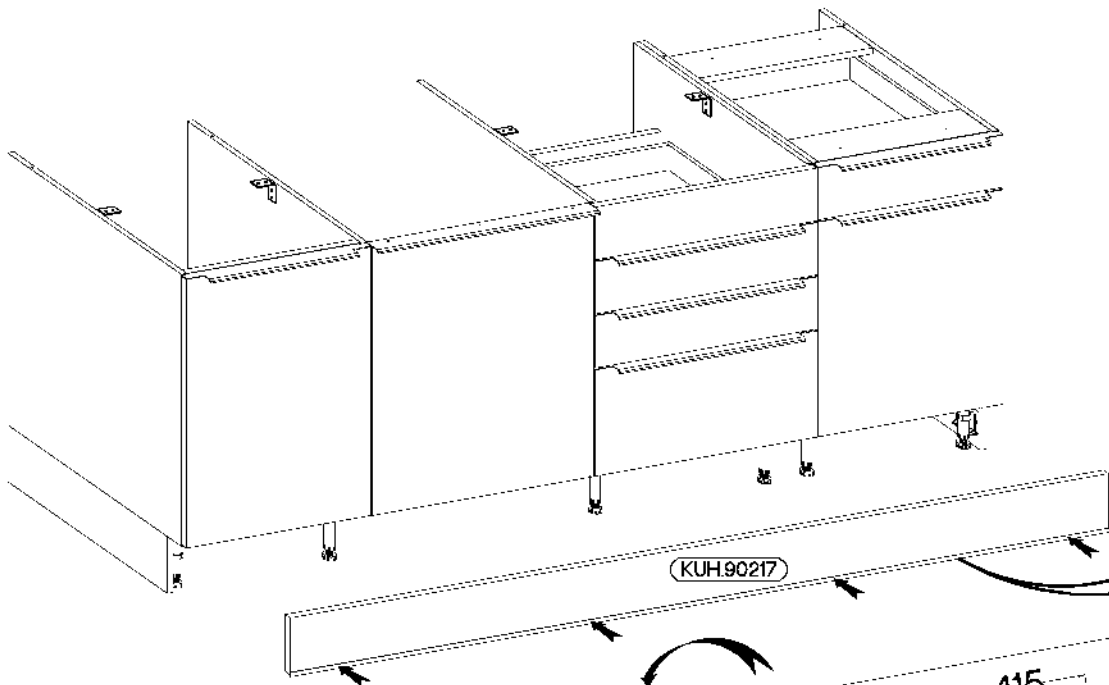


KUH.90215

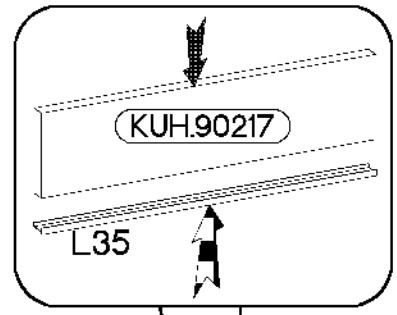
KUH.90215

2

1. F16
2. F16 P5
3. F16
4. F16

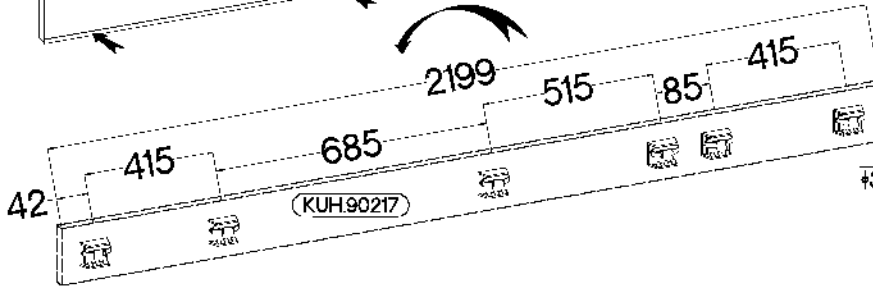


KUH.90217



KUH.90217

L35



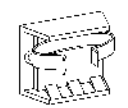
KUH.90217

±3.5x13mm



P5

12



F16

6



L=2200mm

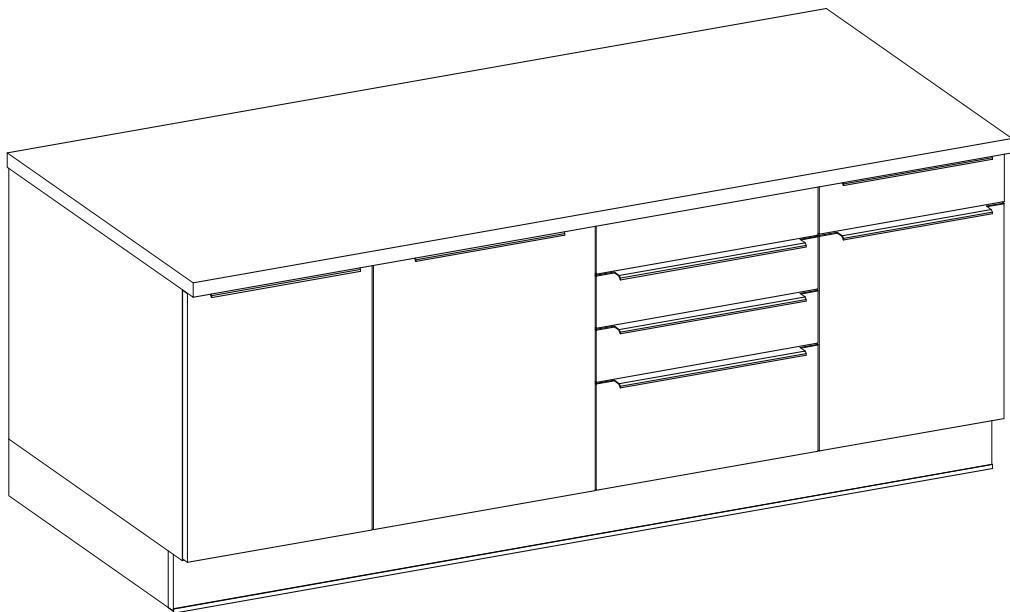
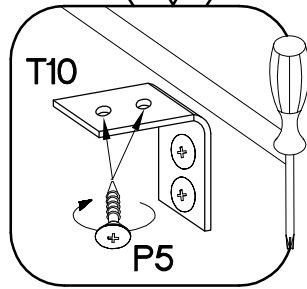
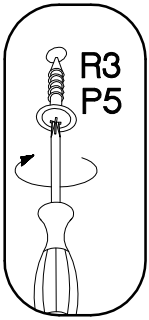
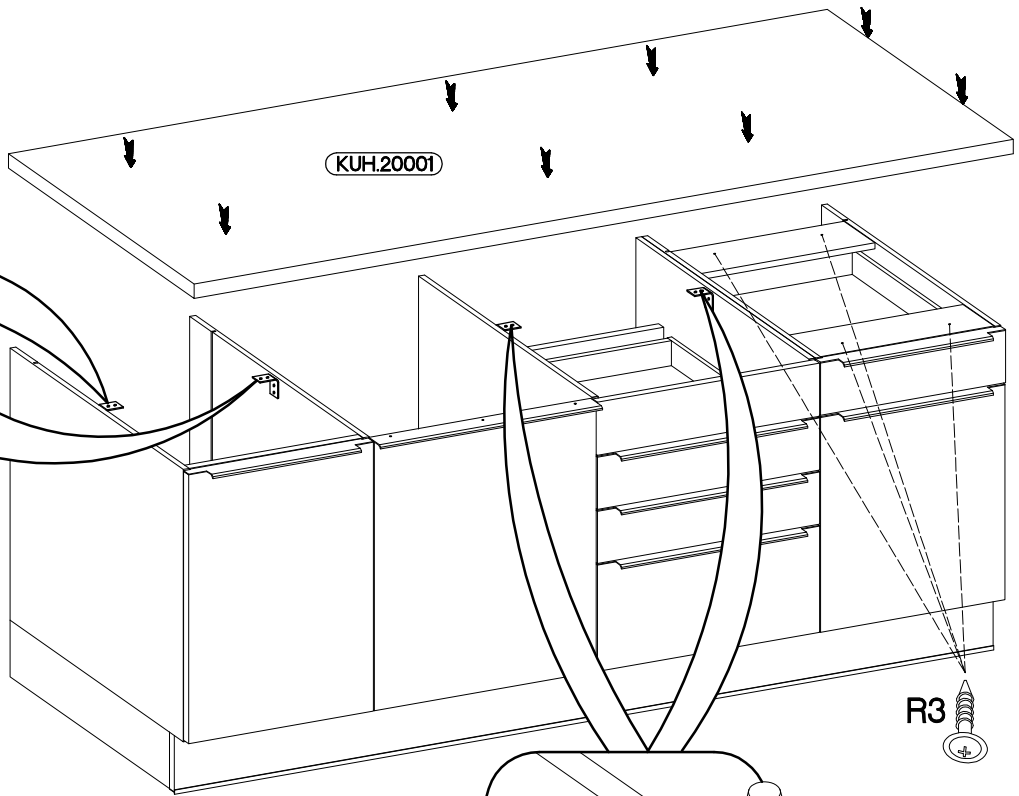
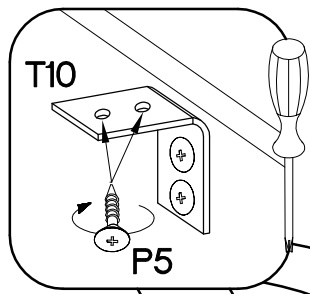




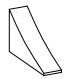
L35

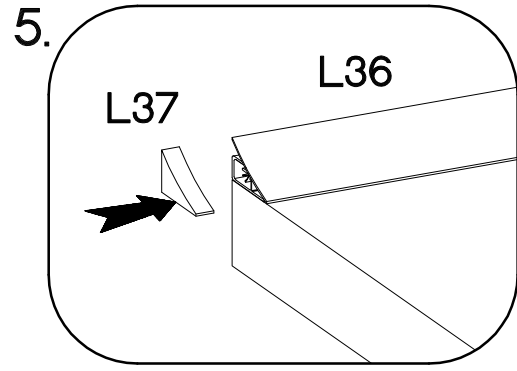
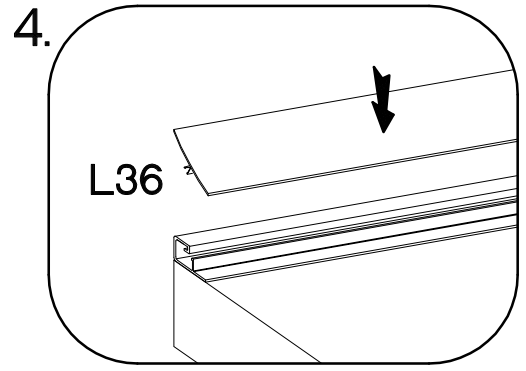
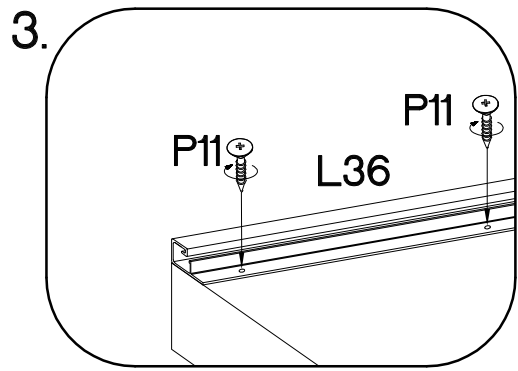
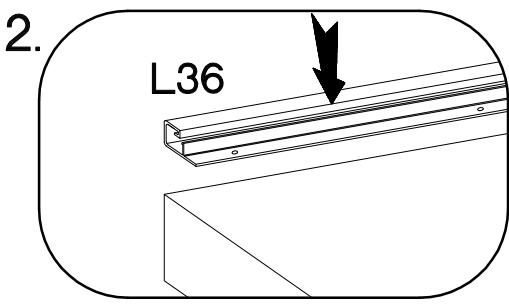
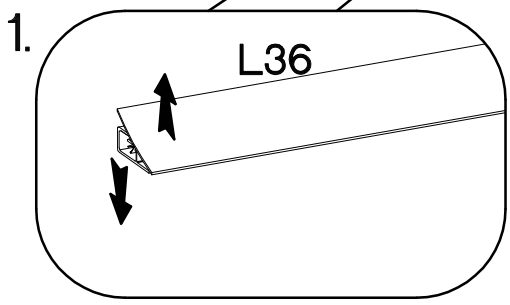
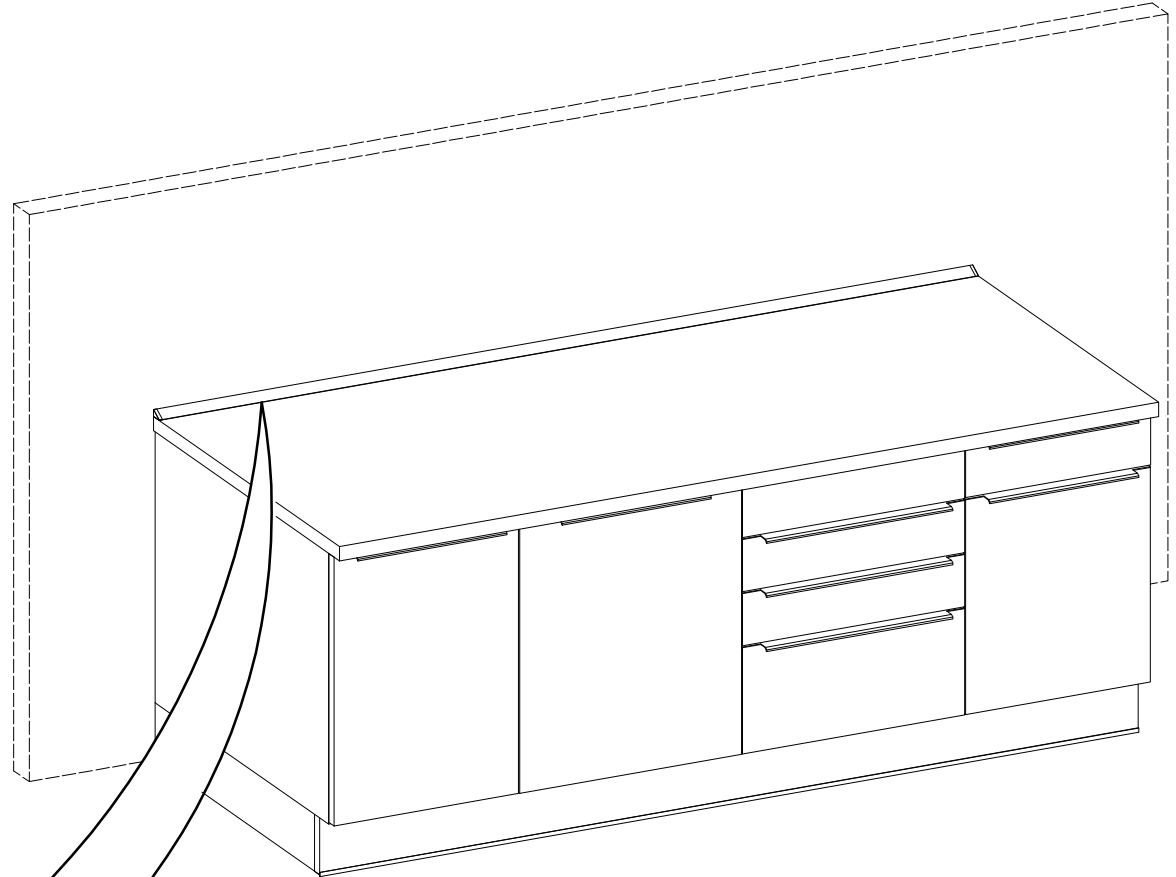
1

3

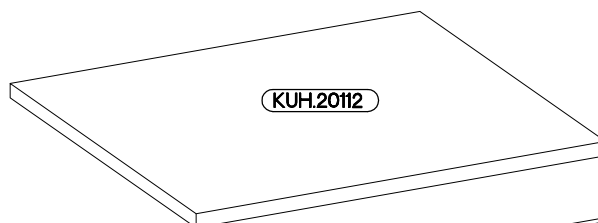
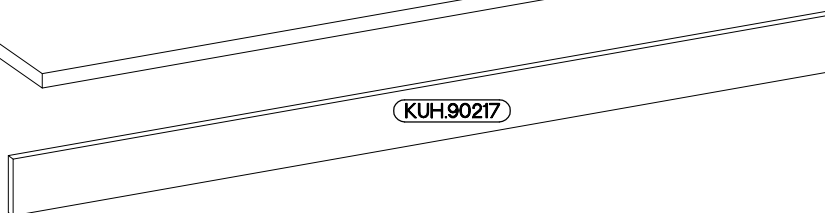
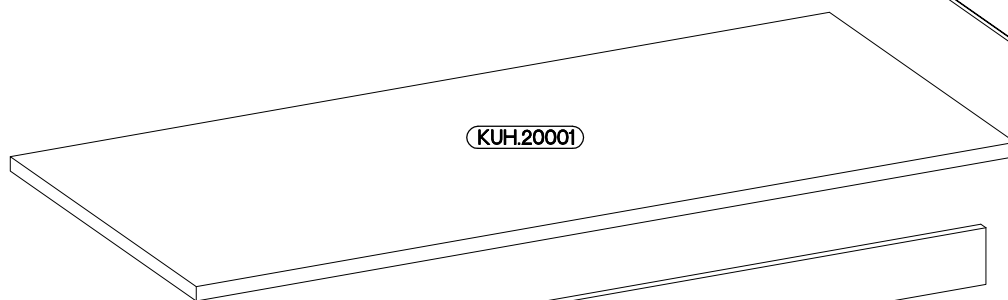
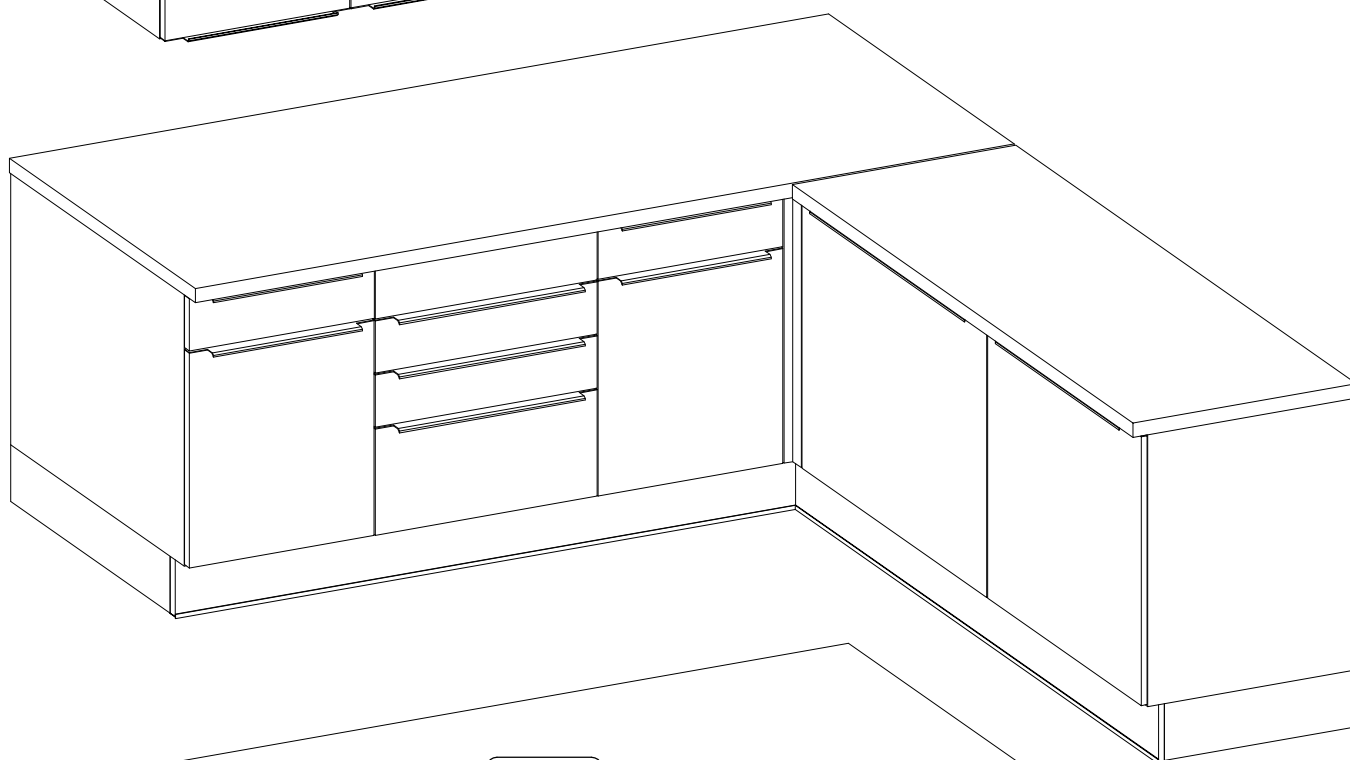
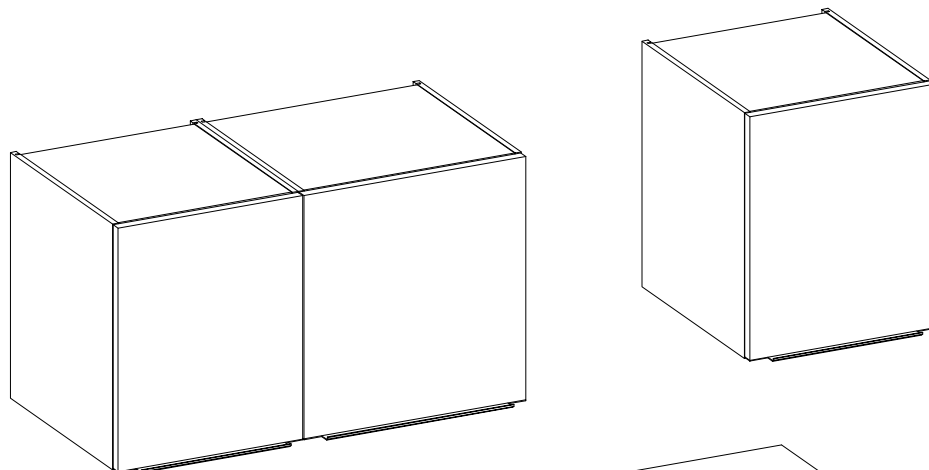
|  |  |
|--|--|
| 4.0x35mm   | 3.5x13mm   |
|  |  |
| R3   | P5   |
| 4  | 8  |



|  |  |  |
|--|--|--|
| $\phi 3.0 \times 16 \text{mm}$<br><br>P11<br>8 | L=2200mm<br><br>L36<br>1 | <br>L37<br>2 |
|--|--|--|

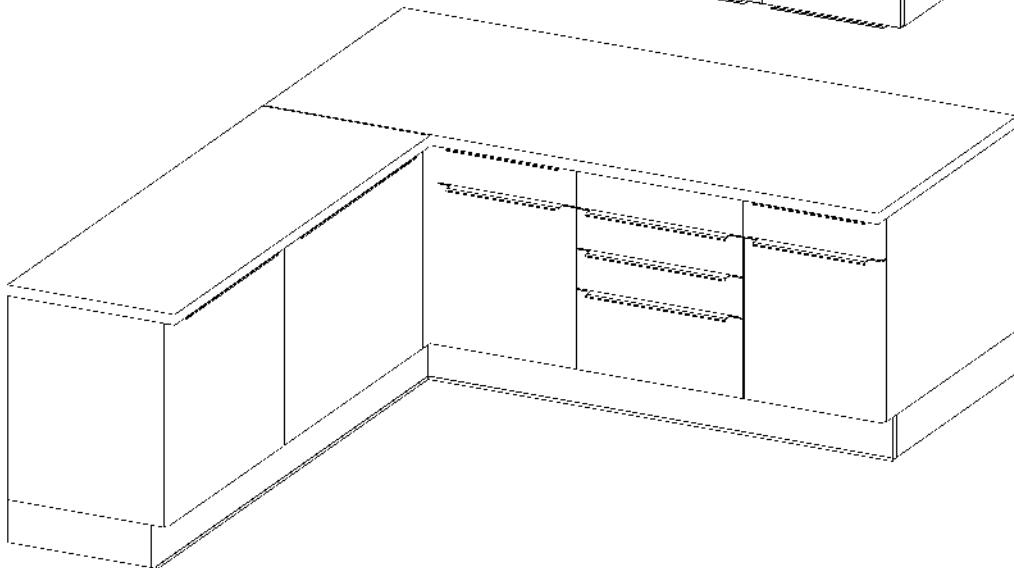
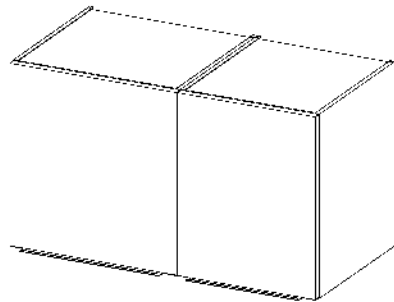
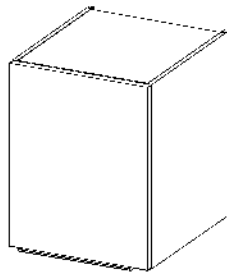
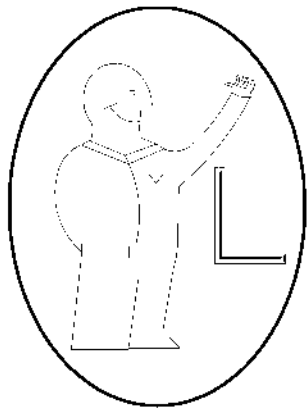
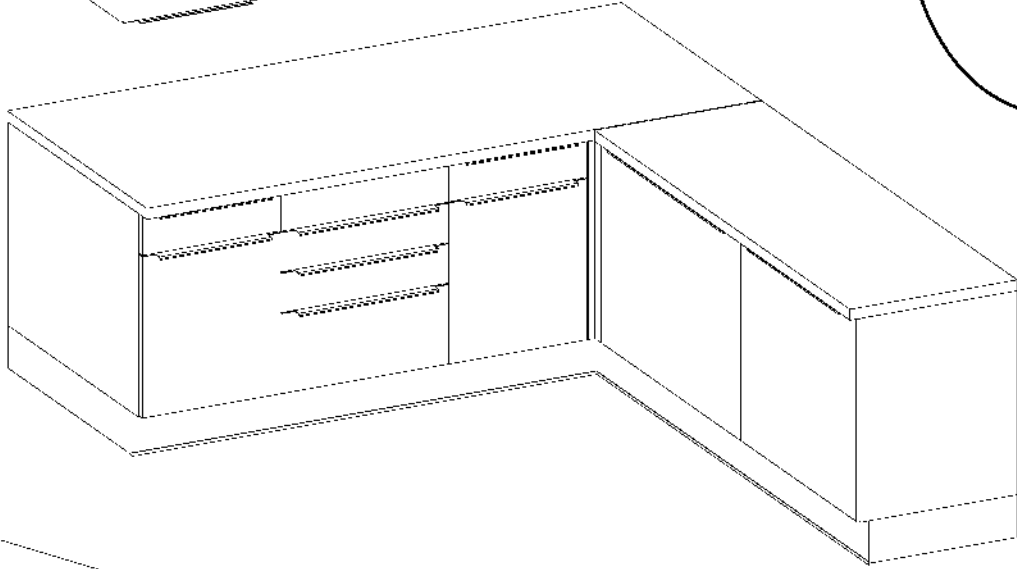
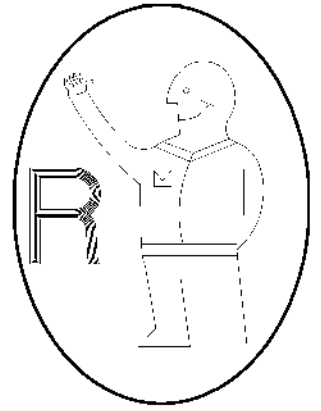
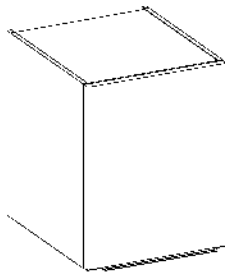
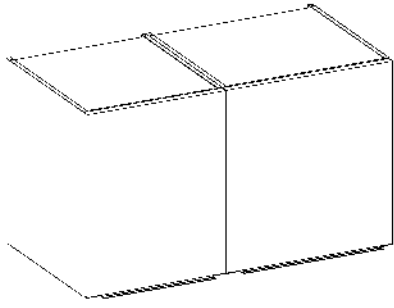


# VARIANT 2



| Colli        | Spare Part | Dimension   |
|--------------|------------|-------------|
| Colli<br>2/2 | KUH.20112  | 1100x600x38 |
|              | KUH.90258  | 1172x150x16 |

| Colli        | Spare Part   | Dimension   |
|--------------|--------------|-------------|
| Colli<br>6/6 | KUH.20001    | 2200x600x38 |
|              | KUH.90215 x2 | 515x150x16  |
|              | KUH.90217    | 2199x150x16 |



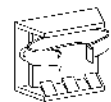


±3.5x13mm



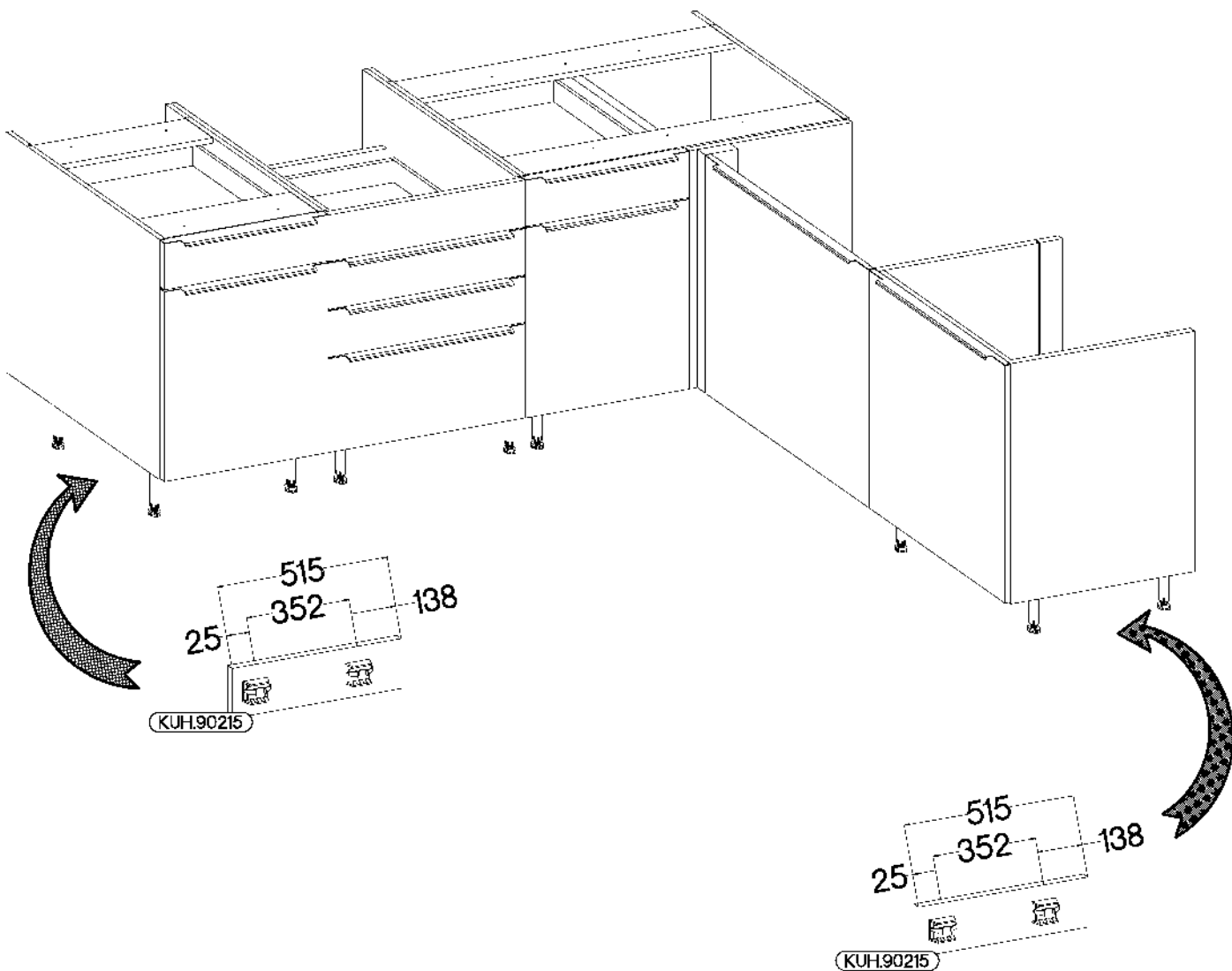
P5

8



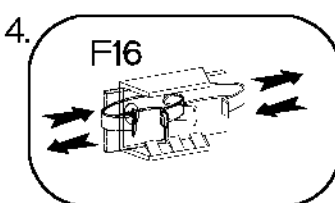
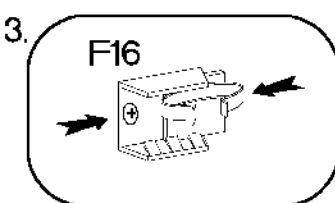
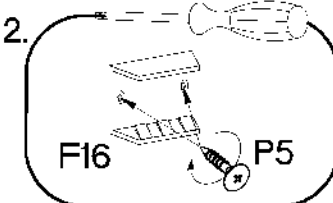
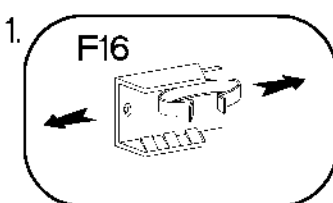
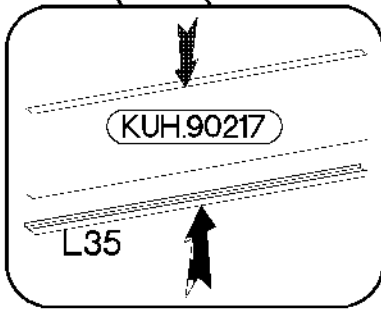
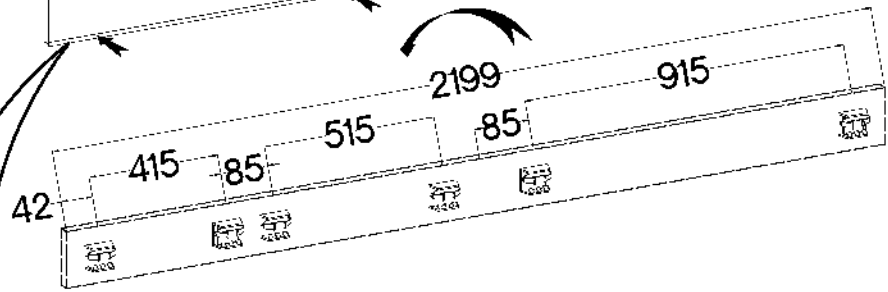
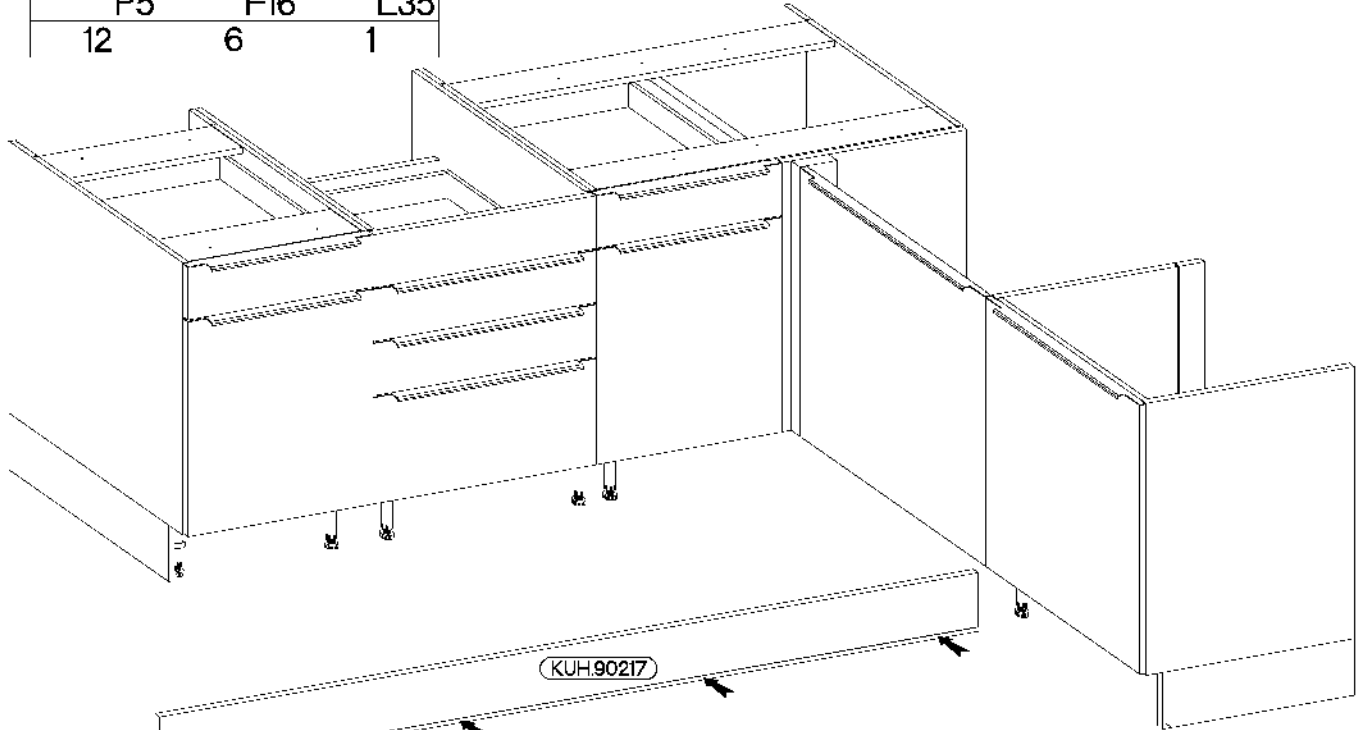
F16

4



1. Step 1: Inserting the F16 cam bolt into the cabinet body.
2. Step 2: Tightening the P5 screw into the cabinet body.
3. Step 3: Inserting the F16 cam bolt into the door panel.
4. Step 4: Tightening the P5 screw into the door panel.

|           |     |     |          |  |  |
|-----------|-----|-----|----------|--|--|
| +3.5x13mm |     |     | L=2200mm |  |  |
|           |     |     |          |  |  |
| P5        | F16 | L35 |          |  |  |
| 12        | 6   | 1   |          |  |  |



7

3.5x13mm

L=1172mm



P5

4



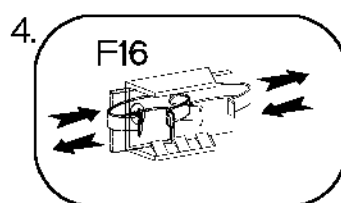
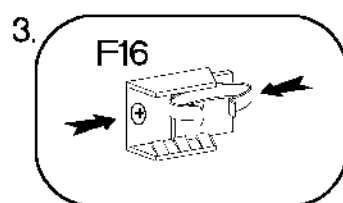
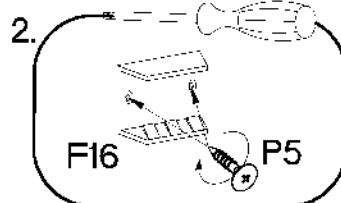
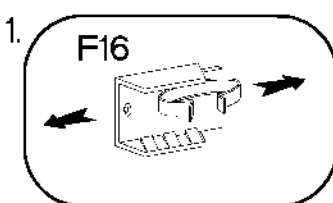
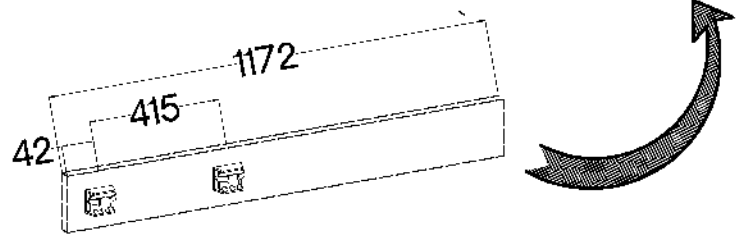
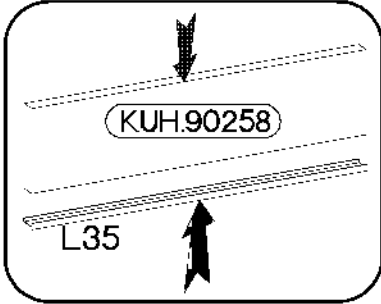
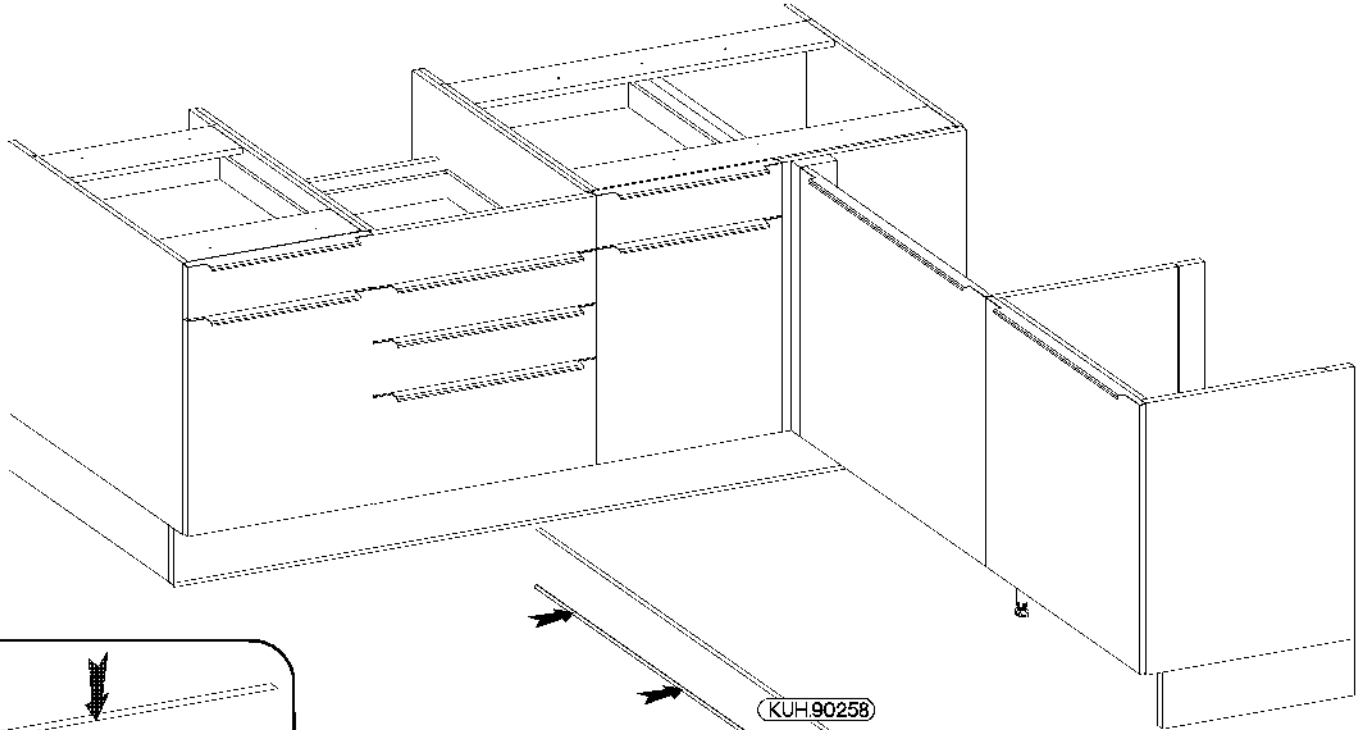
F16



2

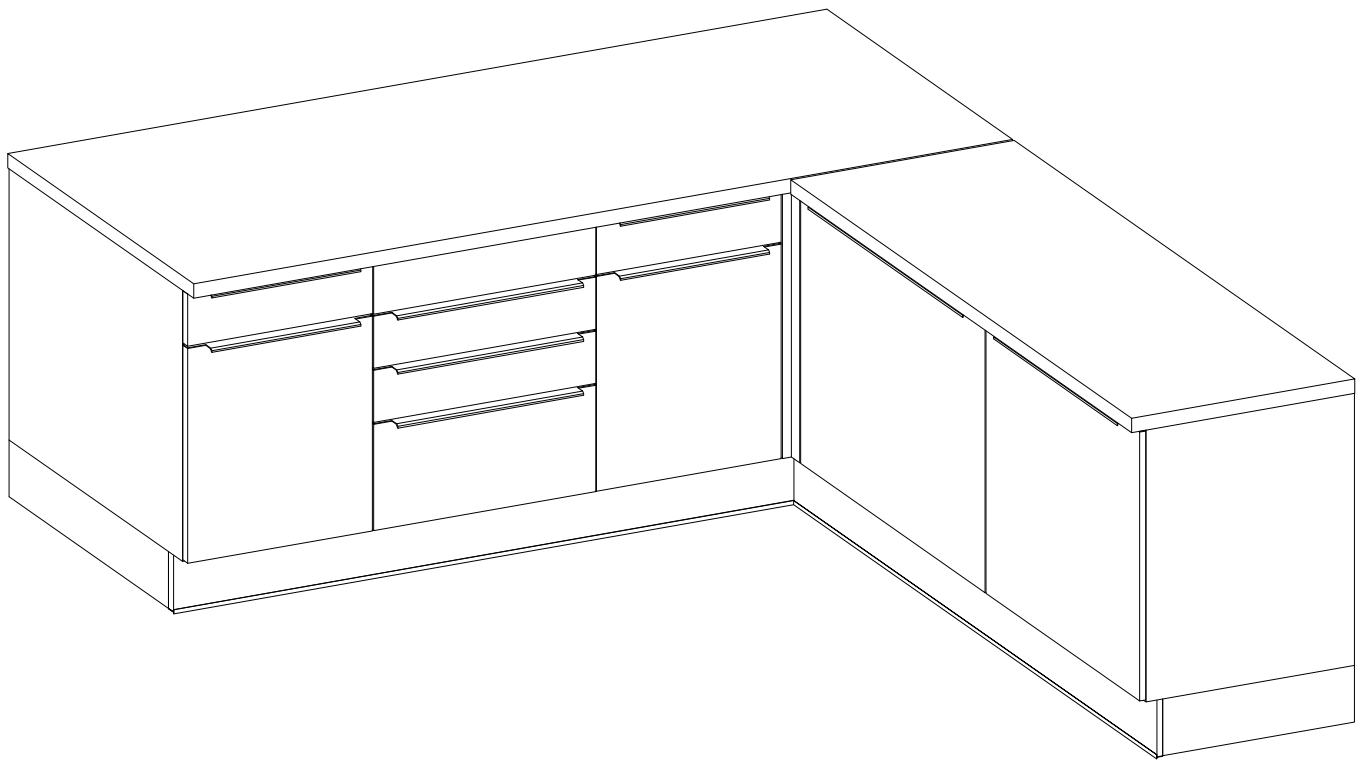
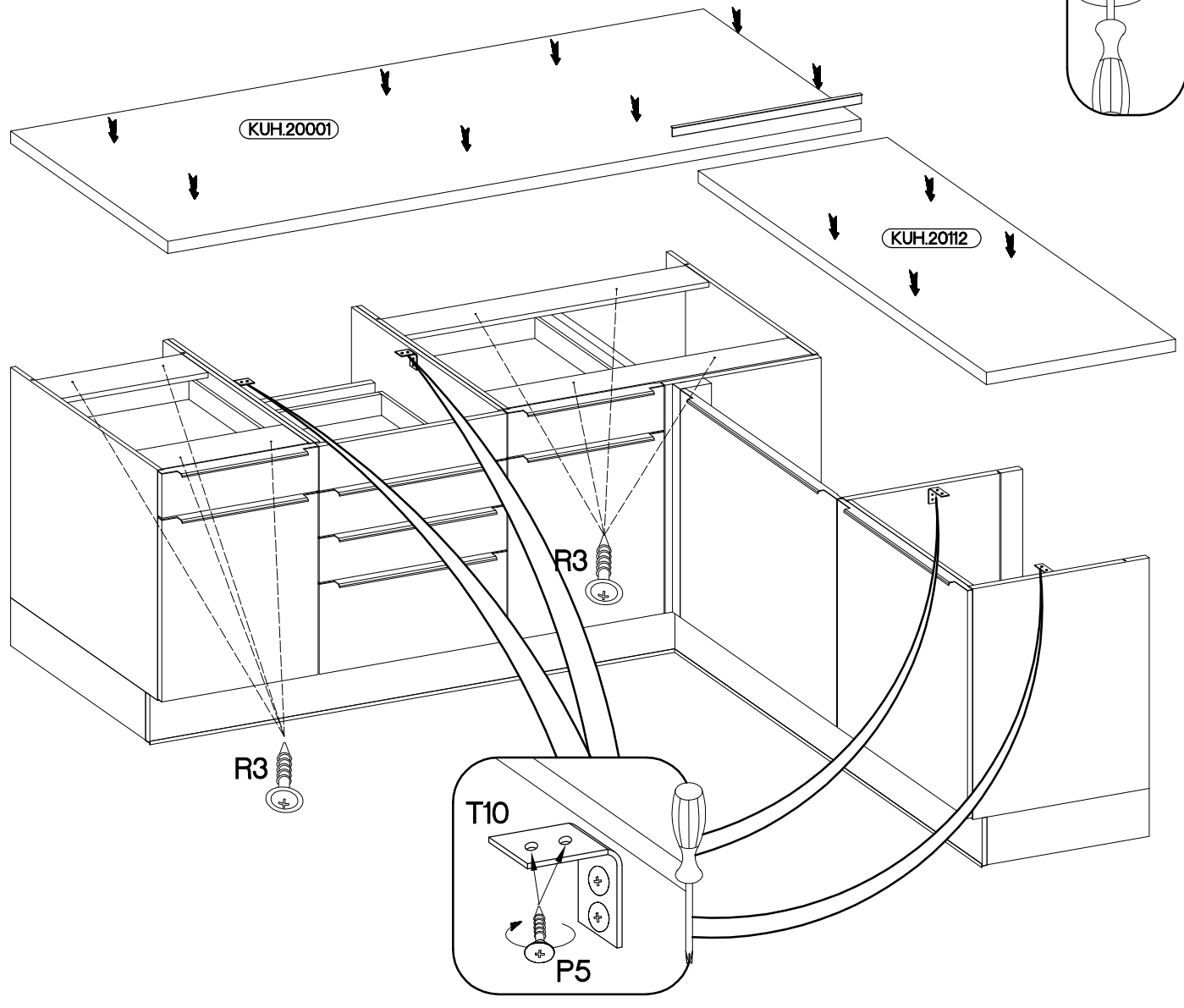
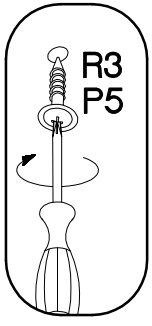


L35

1




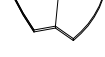


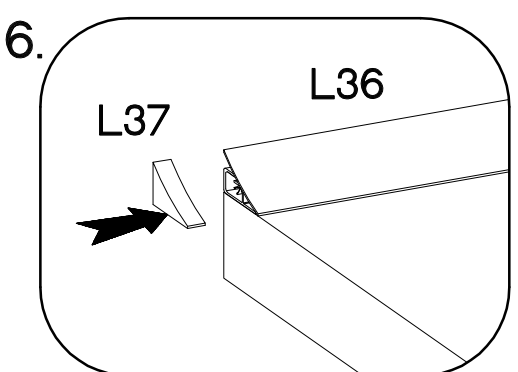
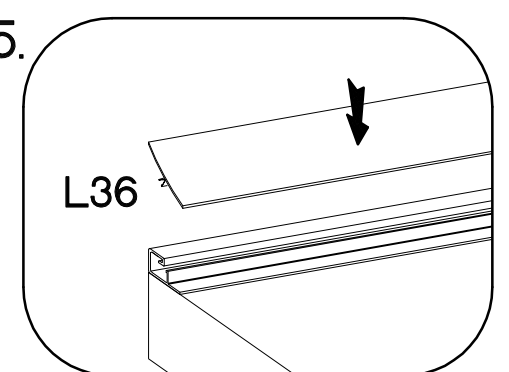
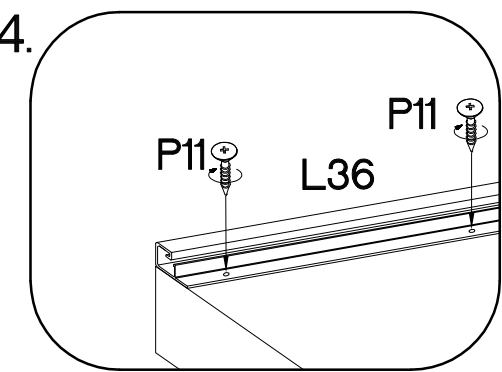
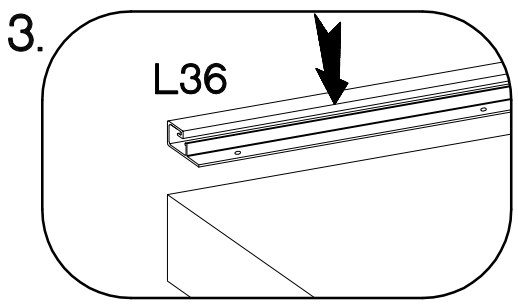
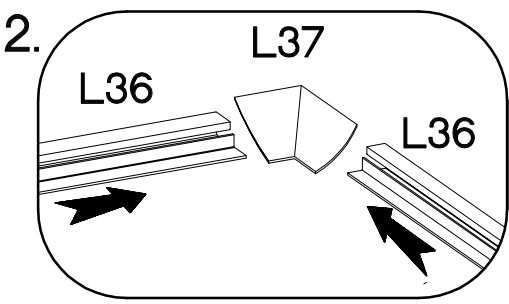
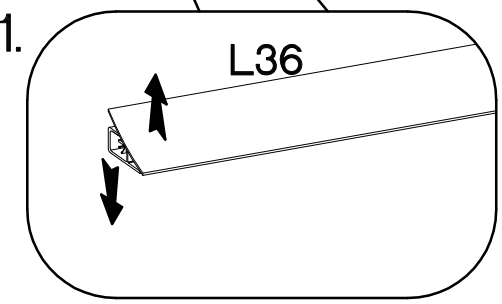
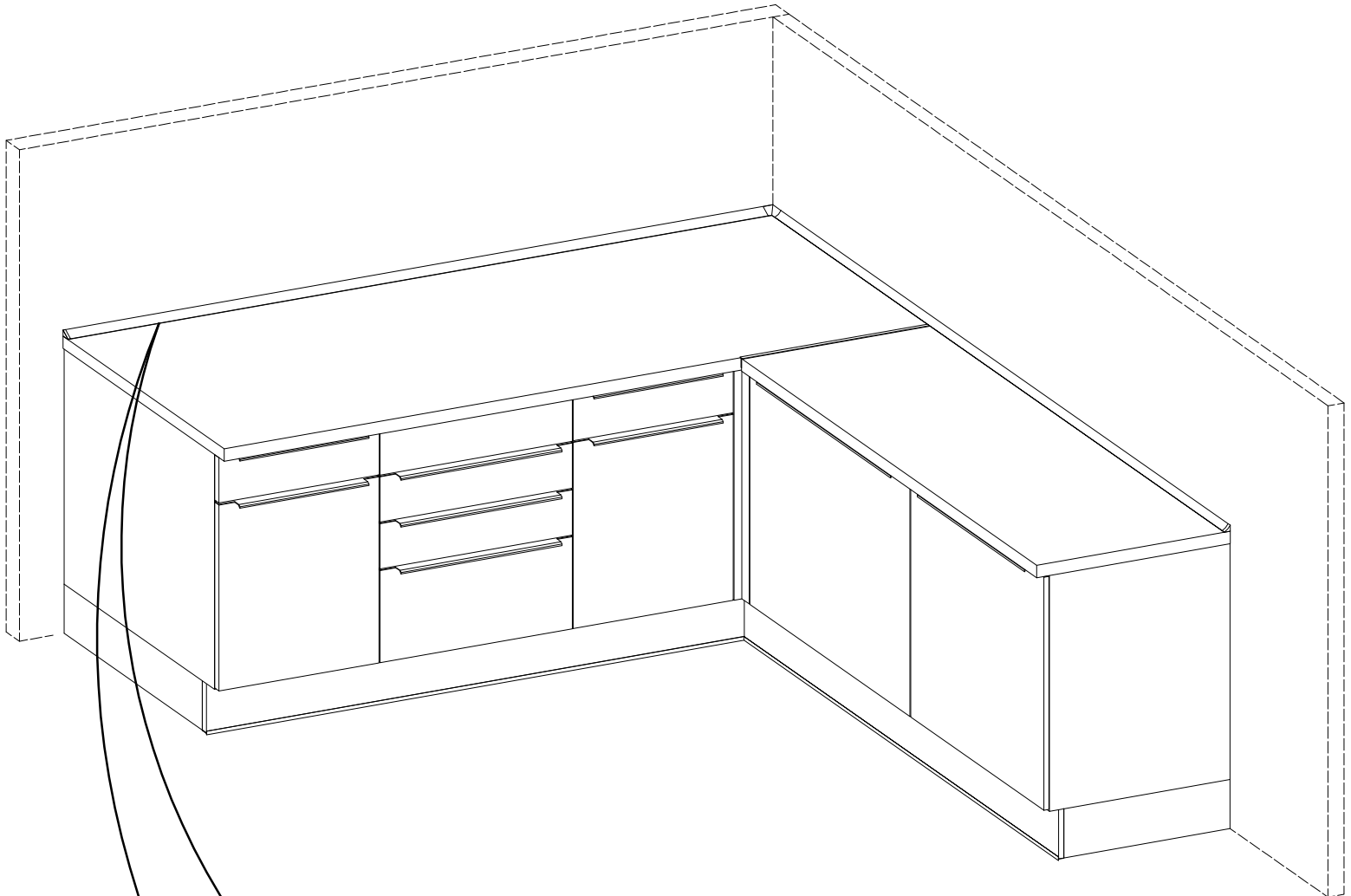
|  |  |
|--|--|
| 4.0x35mm   | 3.5x13mm   |
|  |  |
| R3   | P5   |
| 8  | 8  |



φ3.0x16mm

L=2200mm

|  |  |  |  |
|--|--|--|--|
|  |  |  |  |
| <b>P11</b>   | <b>L36</b>   | <b>L37</b>   | <b>L38</b>   |
| 14   | 2  | 2  | 1  |



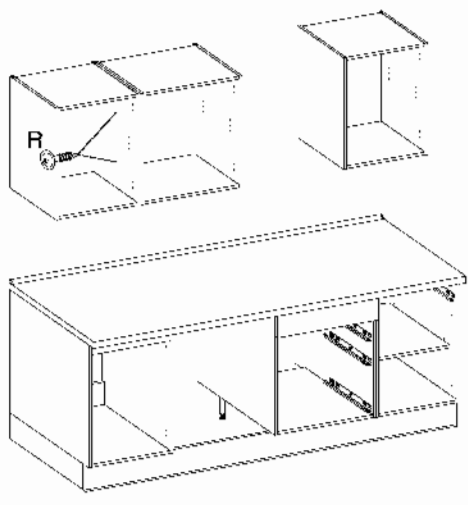
10

4.0x25mm



2

V 1

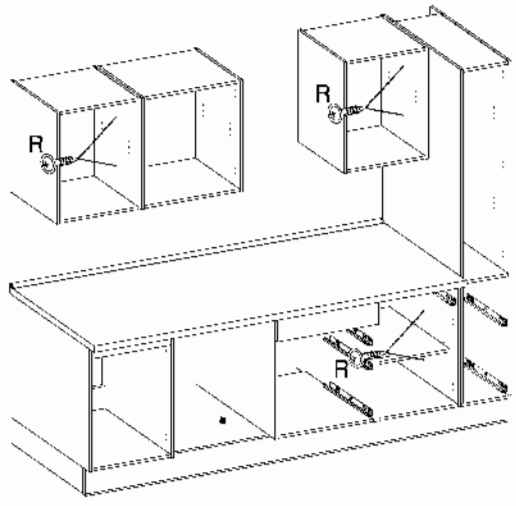


4.0x25mm



6

V 2

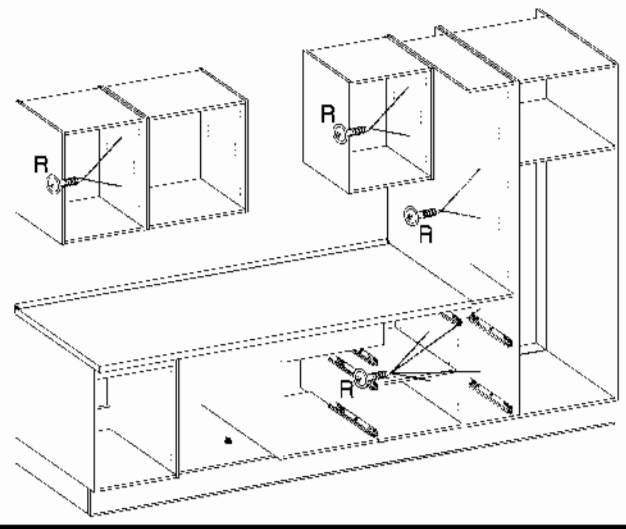


4.0x25mm



10

V 3

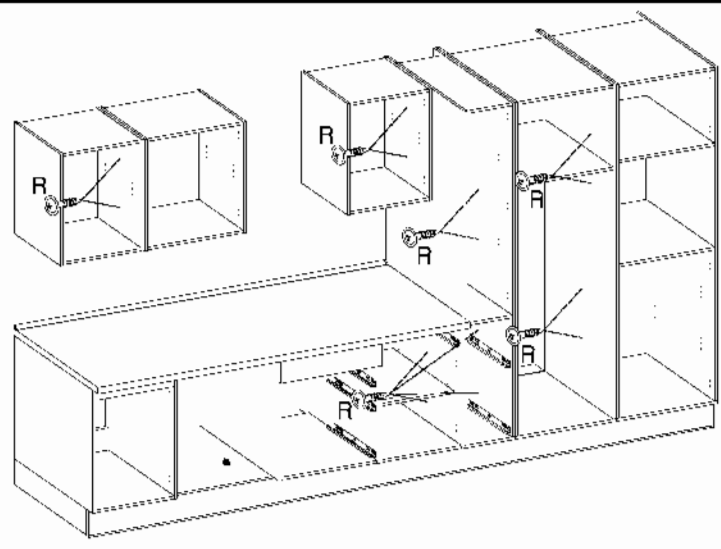


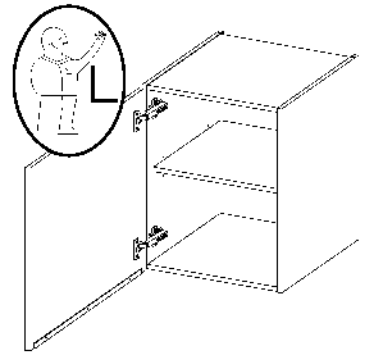
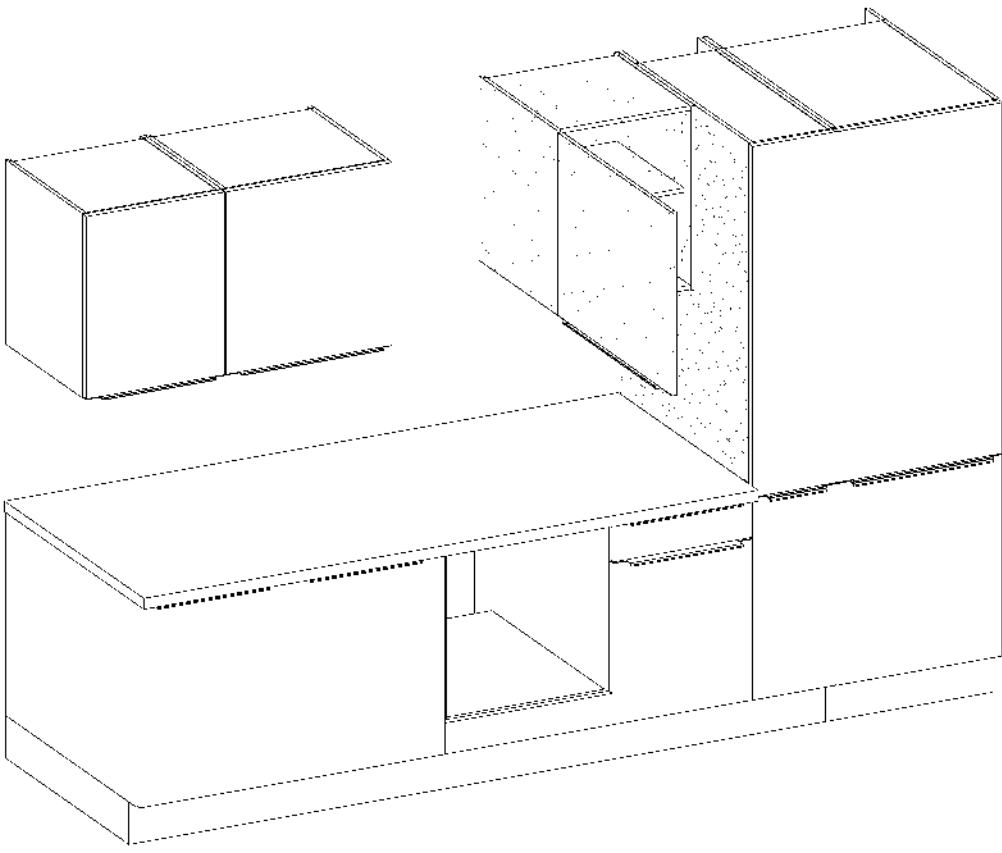
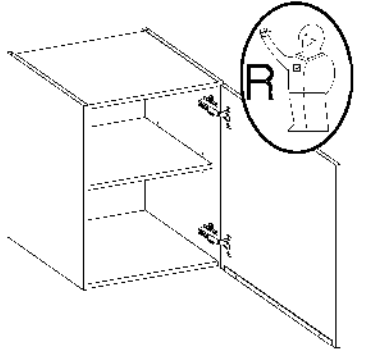
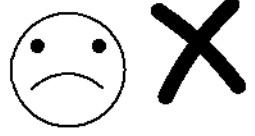
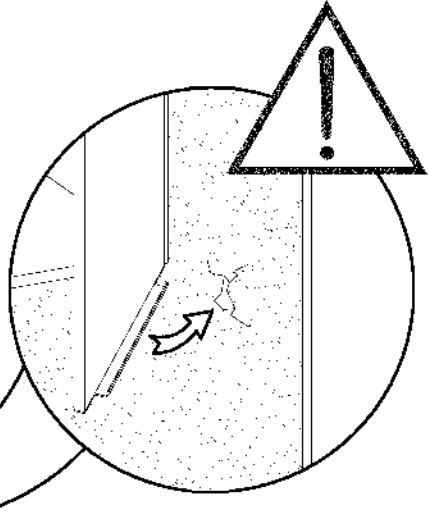
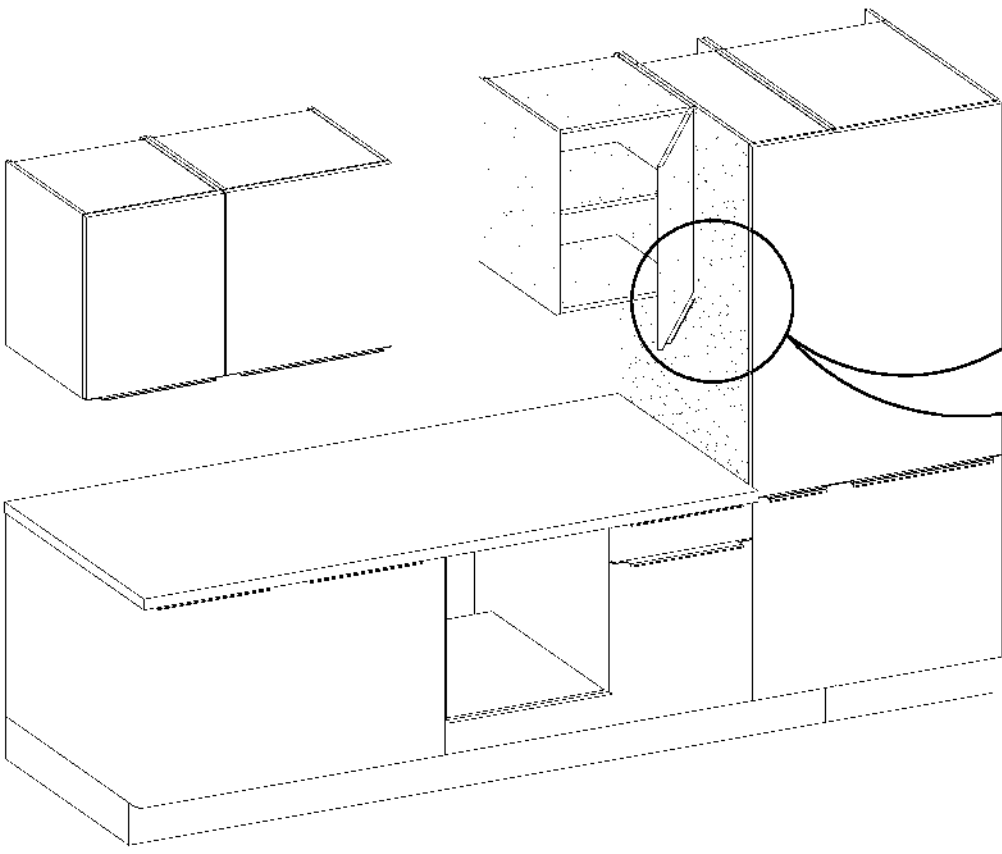
4.0x25mm

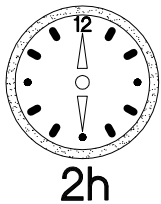
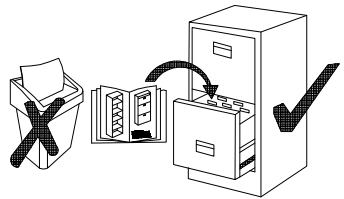
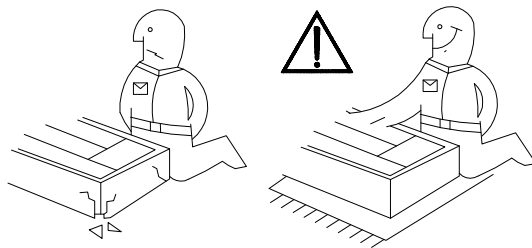
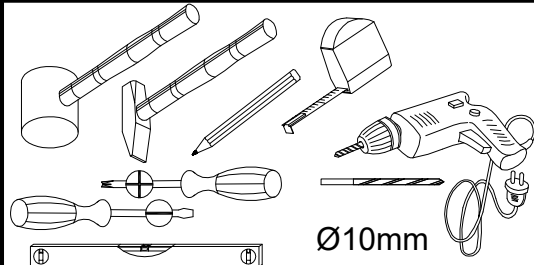
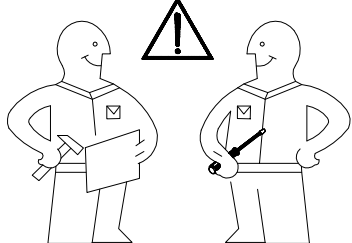


14

V 4

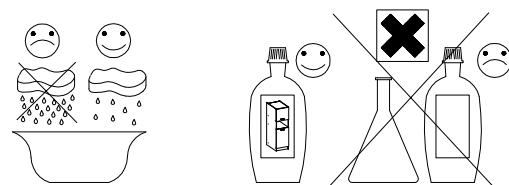




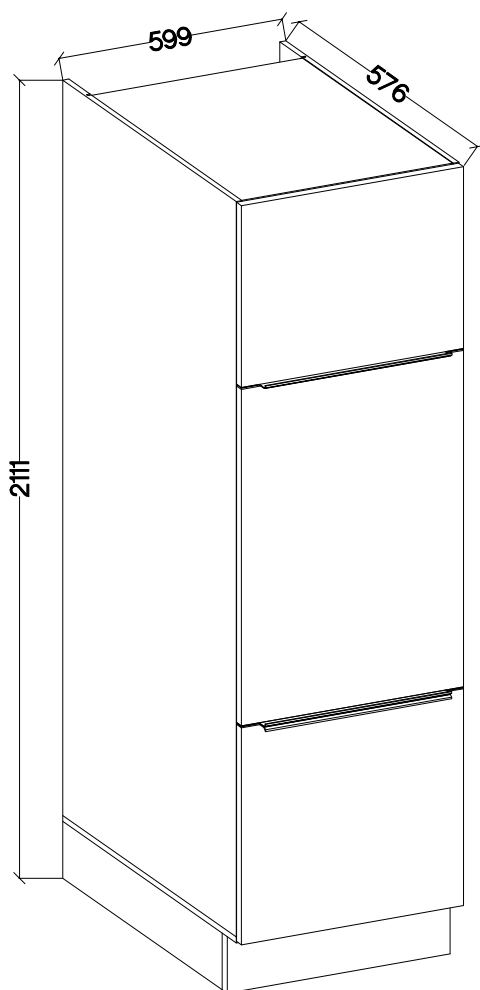


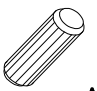
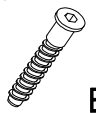

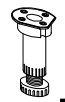

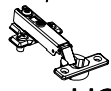
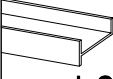
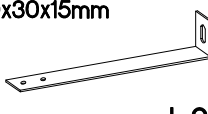
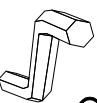




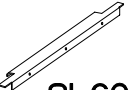
SAFADO / MARLEEN

73-155-...  
73-15E-...  
73-15F-...



**respekta®**

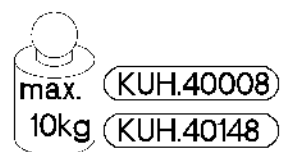
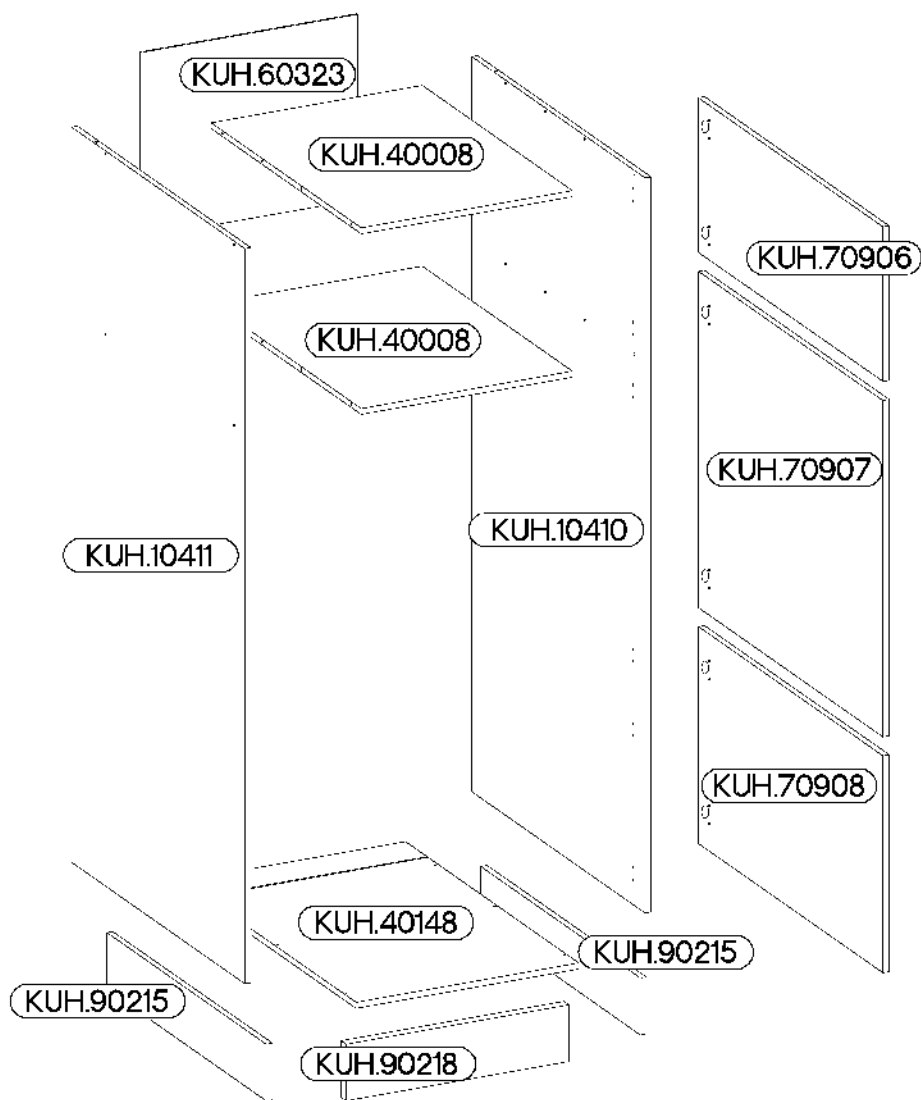


|  |  |  |   |   |  |   |   |
|--|--|--|---|---|--|---|---|
| <br>A<br>8   | <br>B<br>14 | <br>E1<br>8 | <br>F15<br>4 | <br>F16<br>6   | <br>HG<br>6   | <br>L35<br>1 |   |
| <br>L25<br>1 |  | <br>O<br>1  | <br>P5<br>42 | <br>P7<br>8-10 | <br>P11<br>12 | <br>R<br>4   | <br>SL60<br>3 |

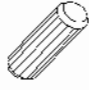




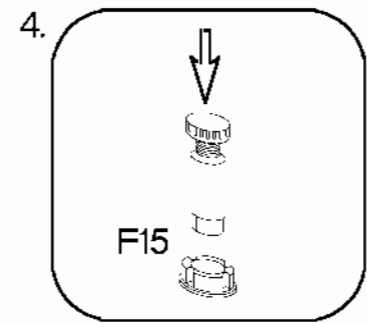
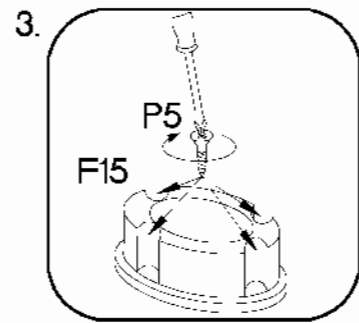
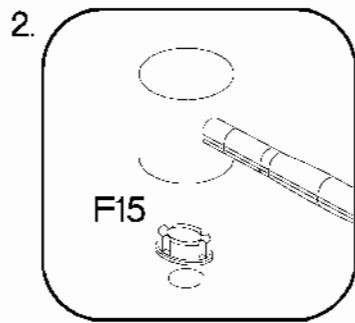
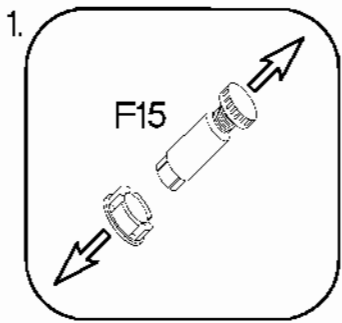
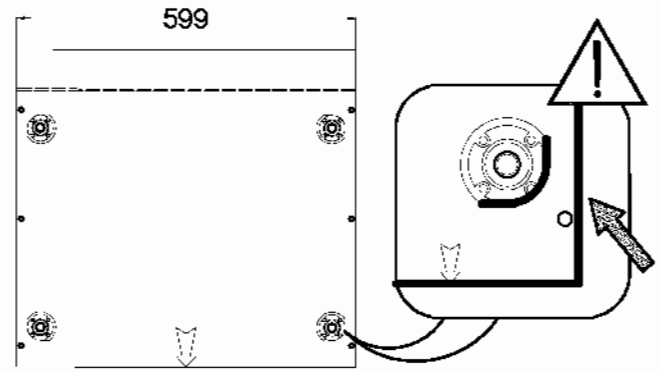
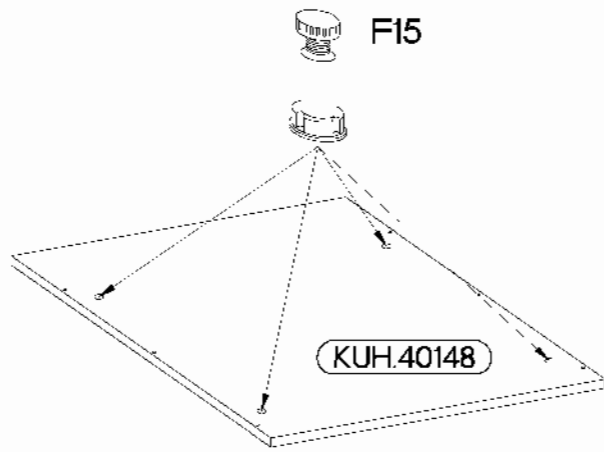
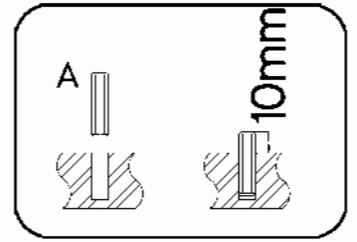
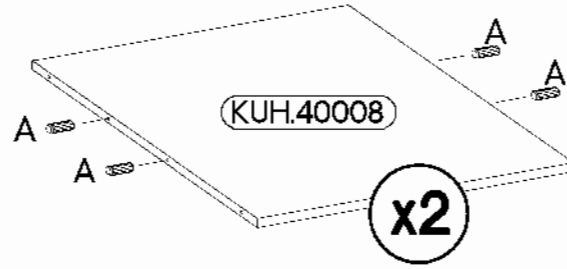
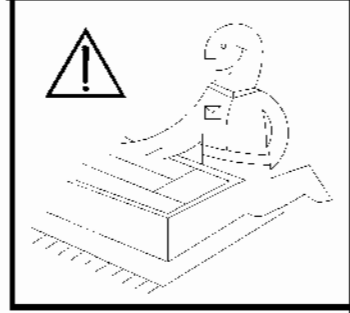
ISM-KUH-01594





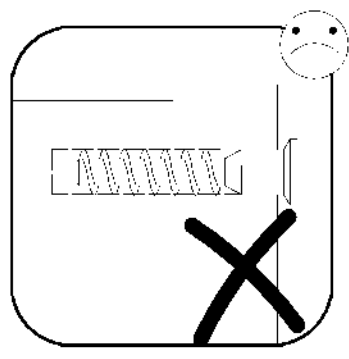
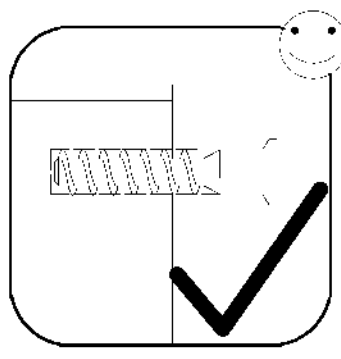
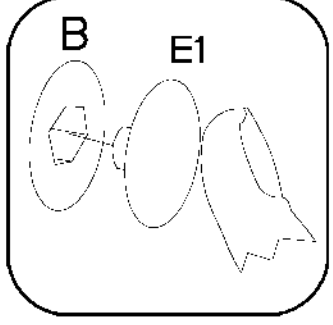
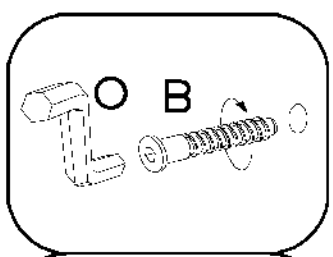
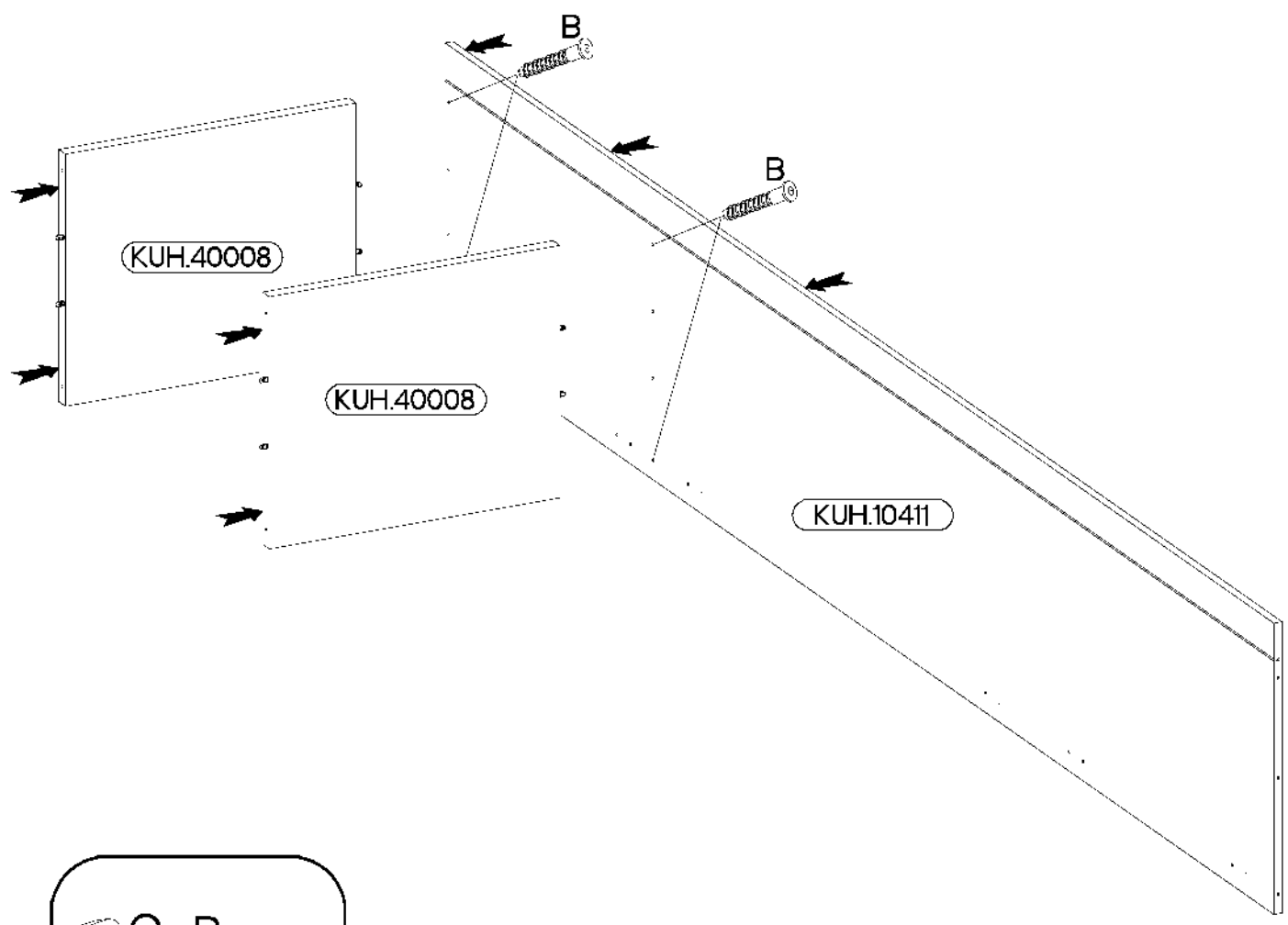
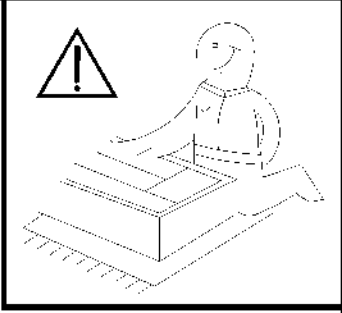
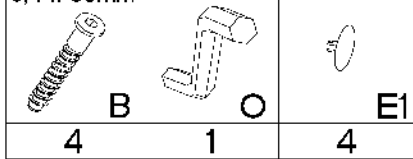
| Colli        | Spare Part   | Dimension   |
|--------------|--------------|-------------|
| Colli<br>1/2 | KUH.40008 x2 | 567x485x16  |
|              | KUH.40148    | 599x560x16  |
|              | KUH.60323    | 490x585x2,5 |
|              | KUH.70906    | 481x596x16  |
|              | KUH.70907    | 890x596x16  |
|              | KUH.70908    | 574x596x16  |
|              | KUH.90215 x2 | 515x150x16  |
|              | KUH.90218    | 599x150x16  |
| Colli<br>2/2 | KUH.10410    | 1945x560x16 |
|              | KUH.10411    | 1945x560x16 |

|   |   |  |
|---|---|--|
| $\pm 8 \times 30 \text{mm}$<br><br>A<br>8 | $\pm 3.5 \times 13 \text{mm}$<br><br>P5<br>16 | <br>F15<br>4 |
|---|---|--|


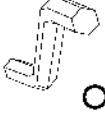



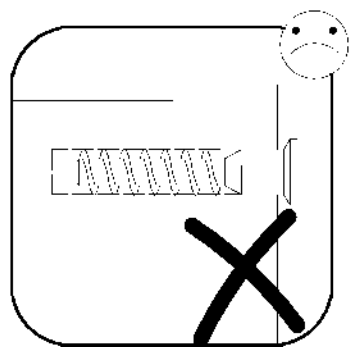
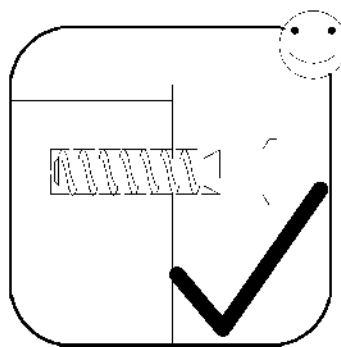
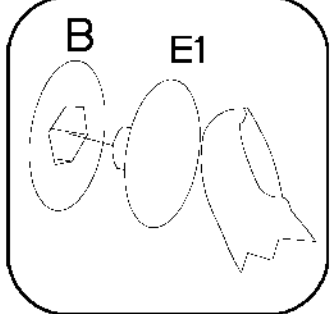
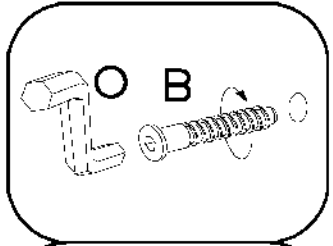
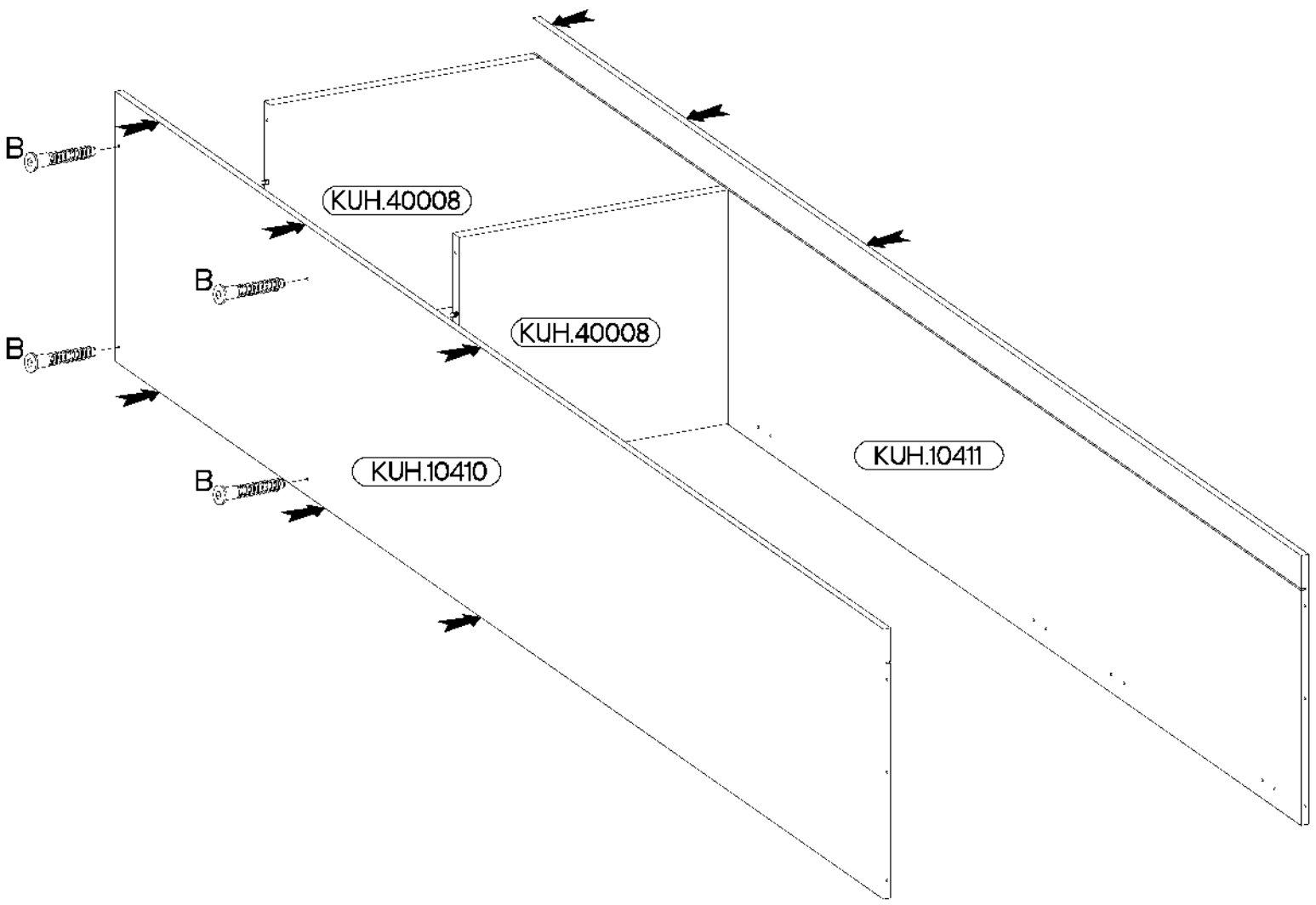
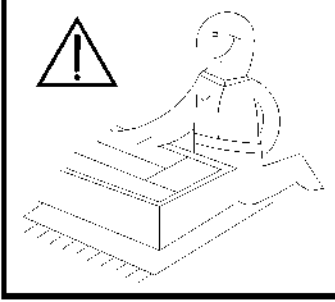
2

6,4 x 50mm



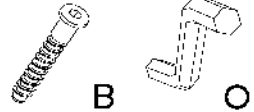
6,4 x 50mm

|  |  |  |
|--|--|--|
|  |  |  |
| B  | O  | E1   |
| 4  | 1  | 4  |



4

6,4 x 50mm

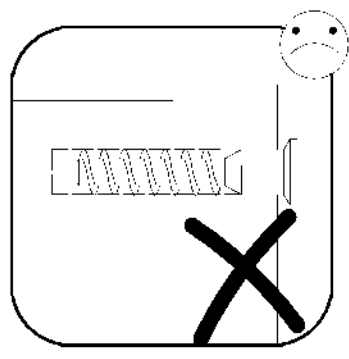
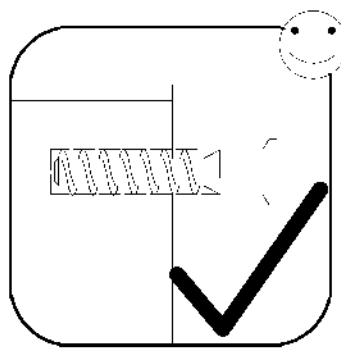
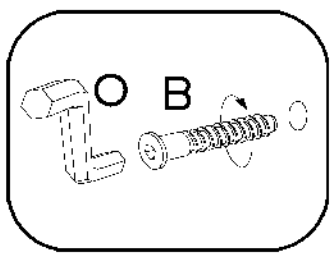
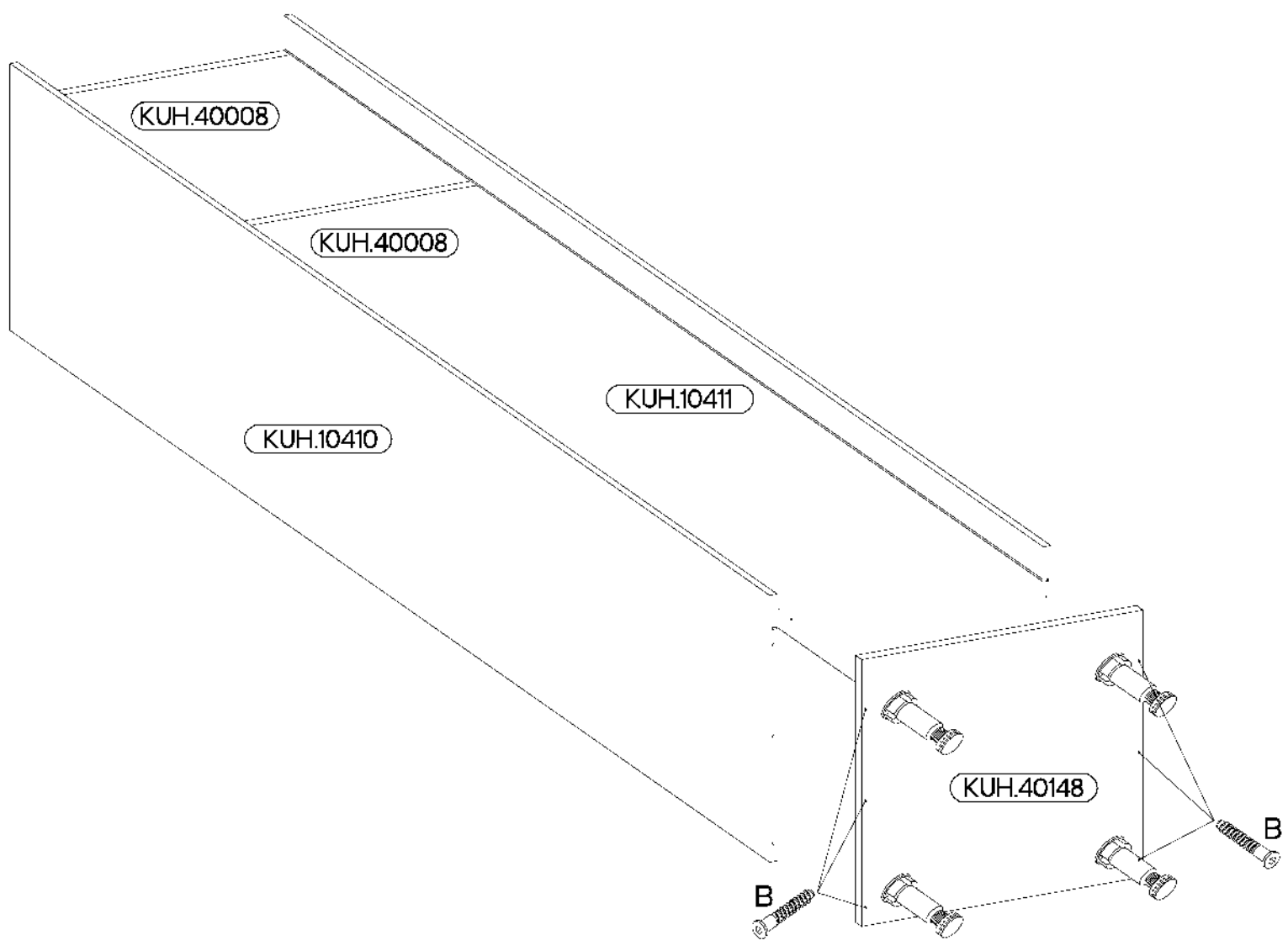
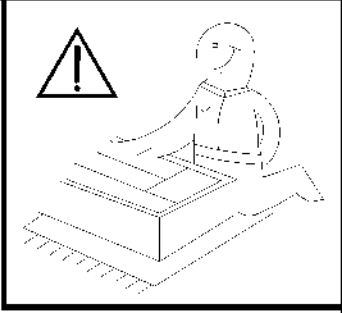


B

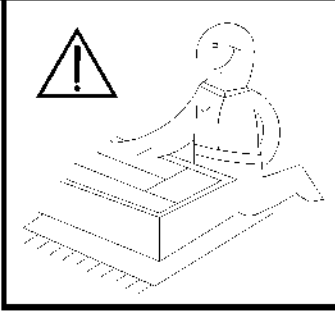
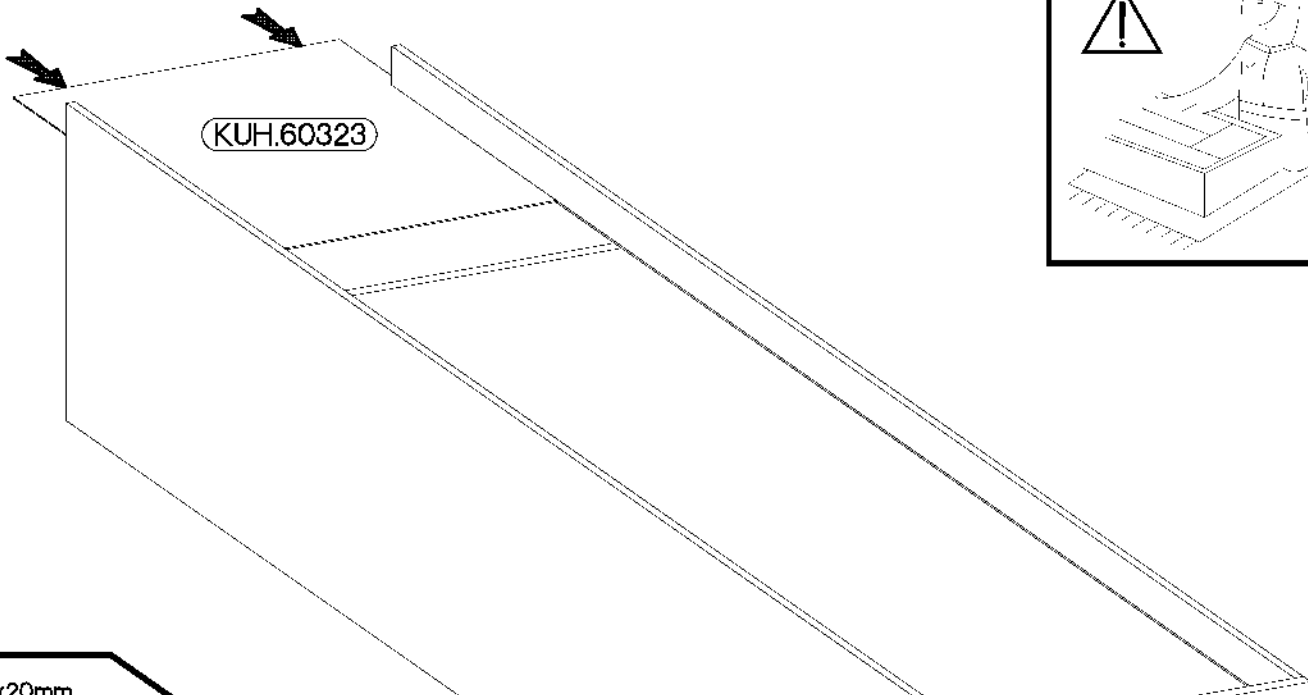
O

6

1



5



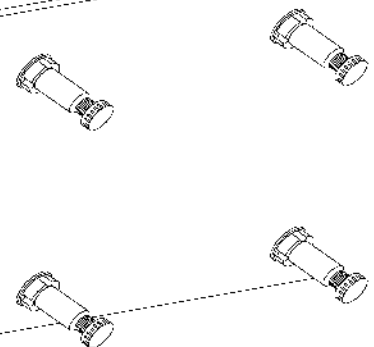
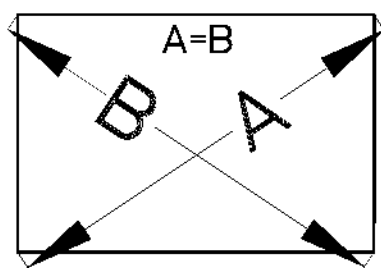
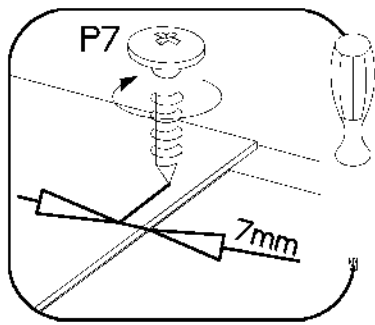
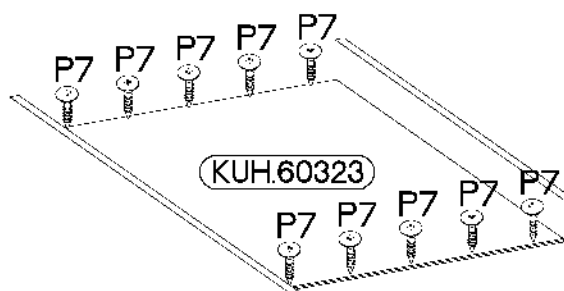
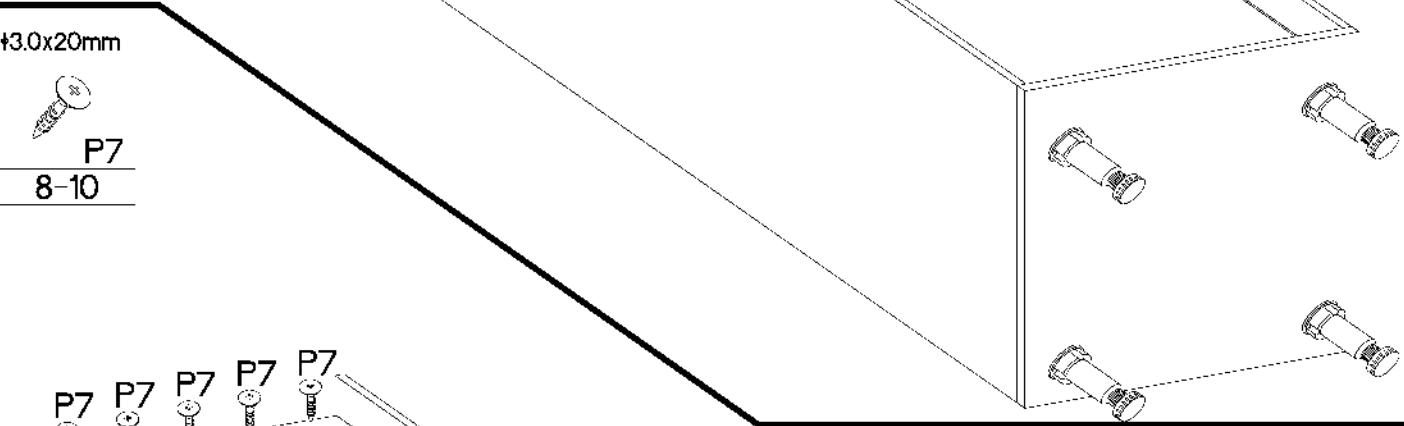
6

φ3.0x20mm



P7

8-10



+3.5x13mm

L=600mm



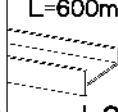
P5

12



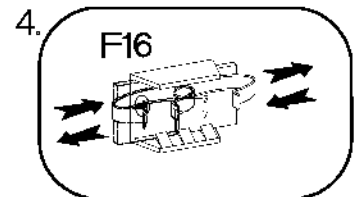
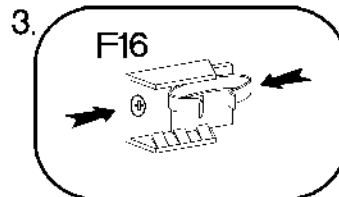
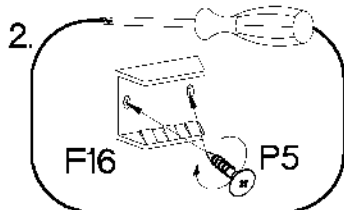
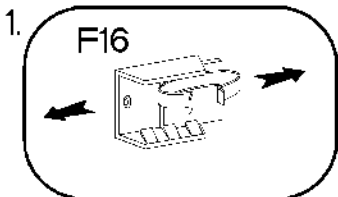
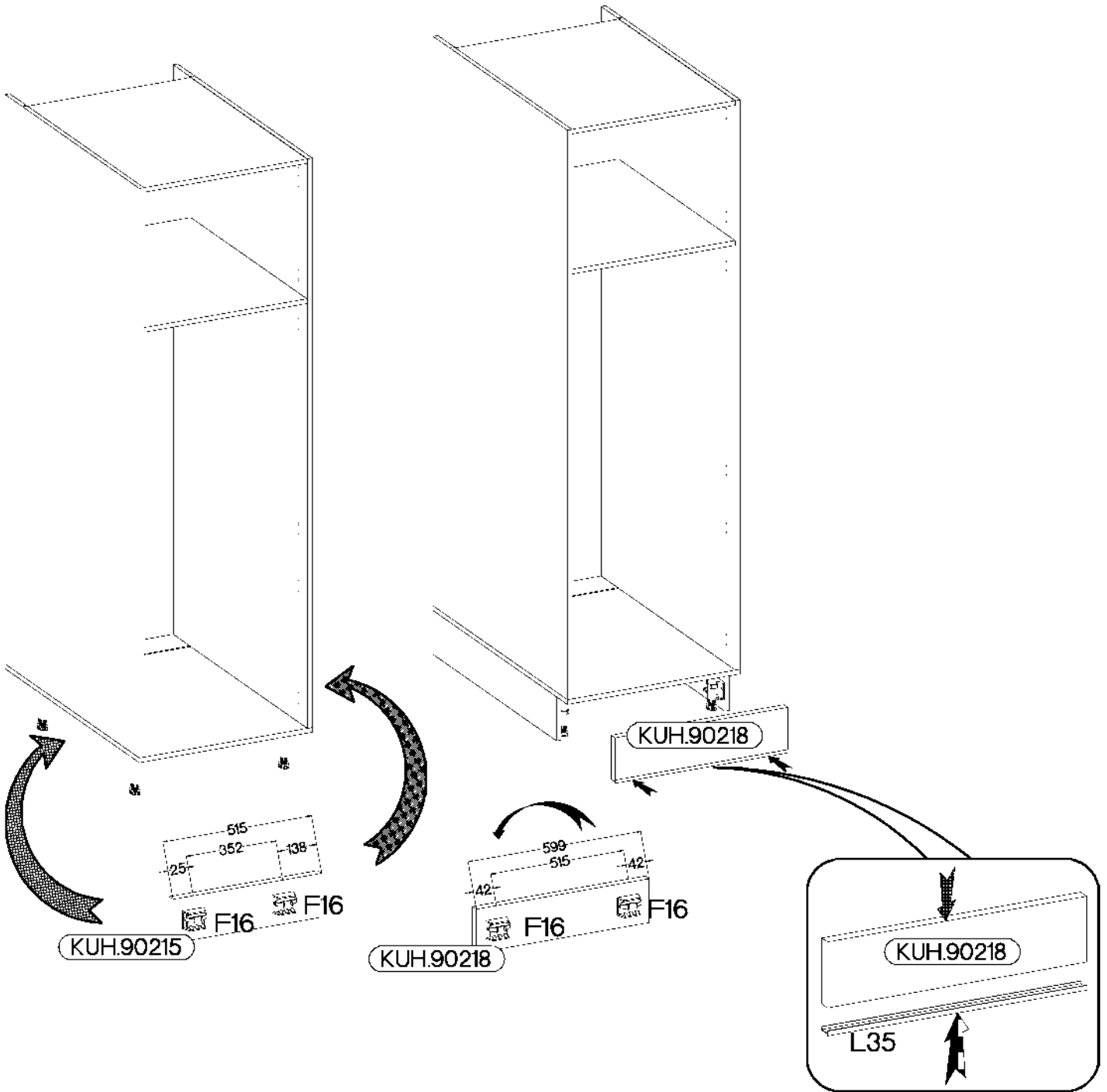
F16

6



L35

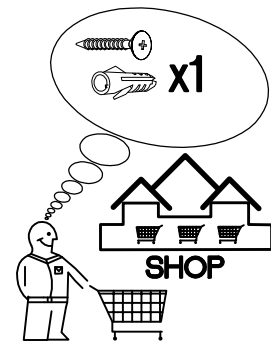
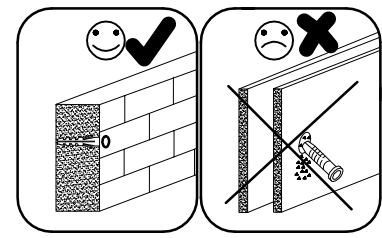
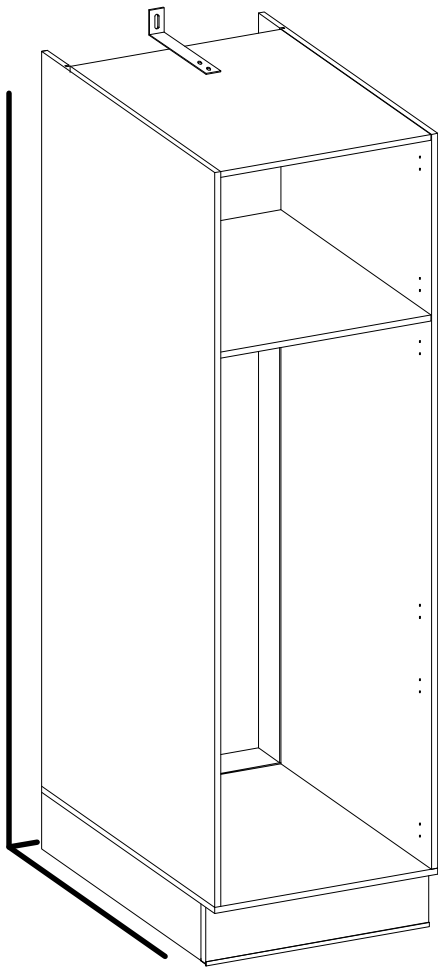
1



8

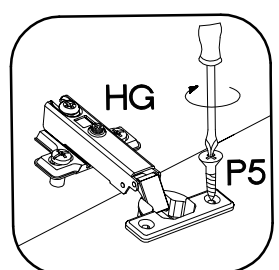
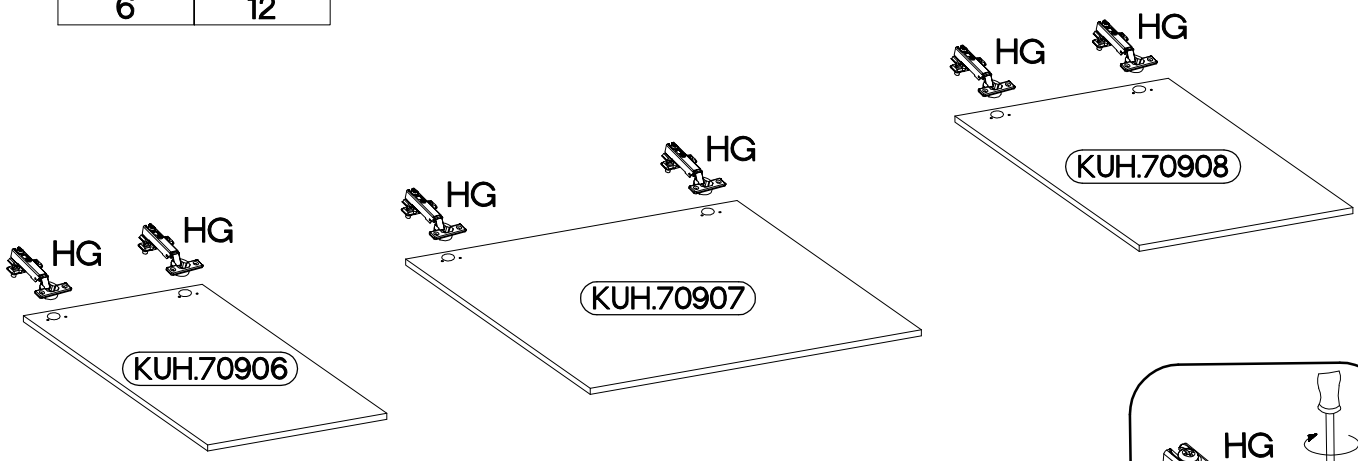
|                      |                         |
|----------------------|-------------------------|
| ±3.5x13mm<br>P5<br>2 | 120x30x15mm<br>L25<br>1 |
|----------------------|-------------------------|

- 
- 
- 
- 
- 





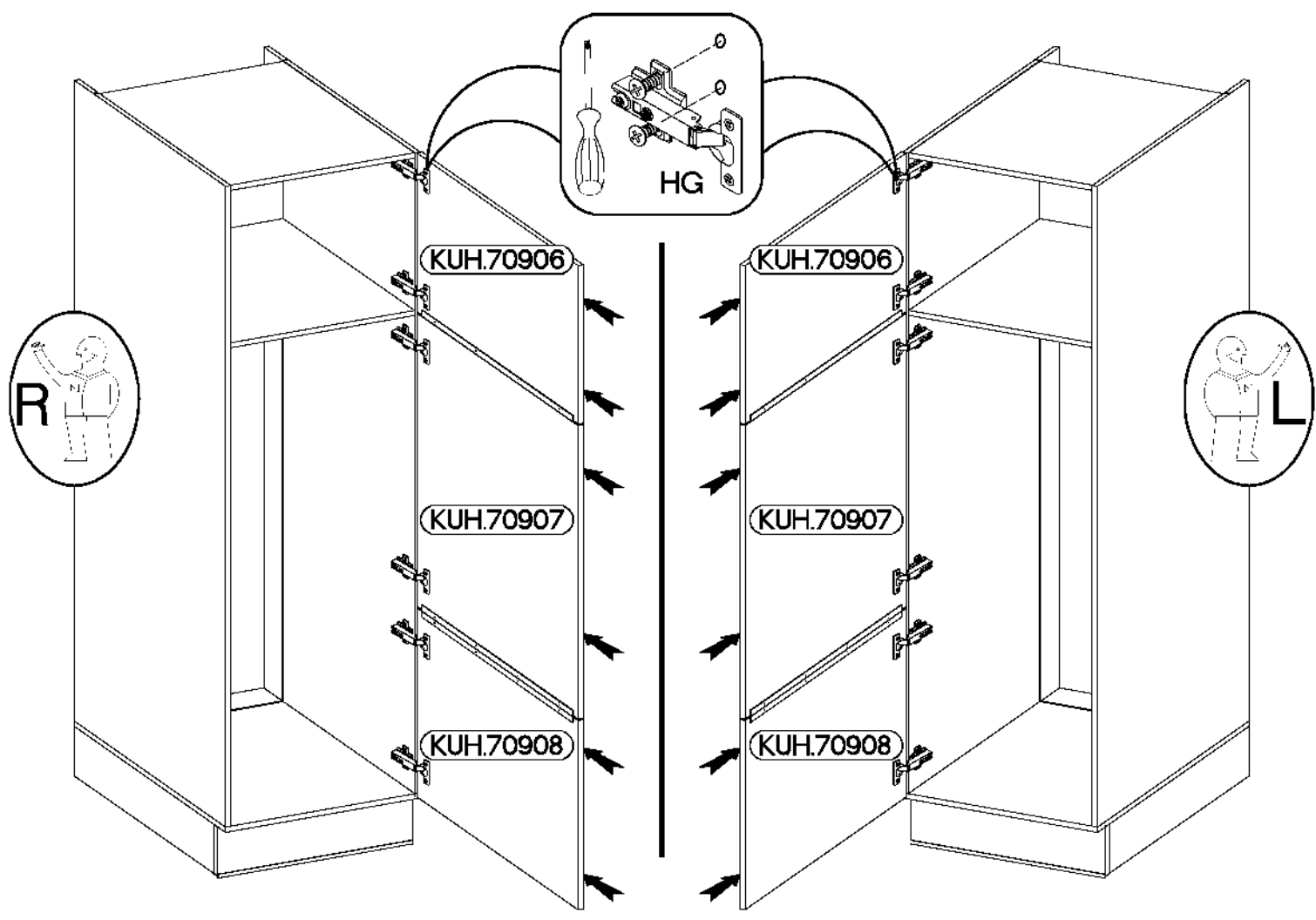
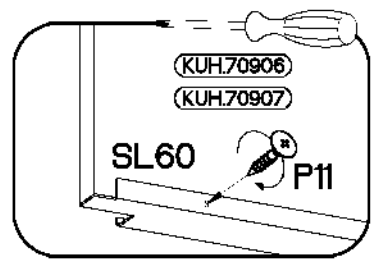
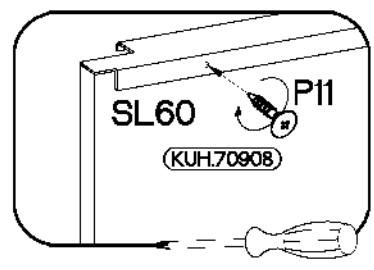
9

|                    |                       |
|--------------------|-----------------------|
| ±35/0mm<br>HG<br>6 | ±3.5x13mm<br>P5<br>12 |
|--------------------|-----------------------|

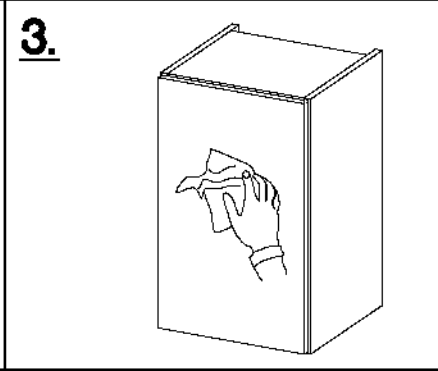
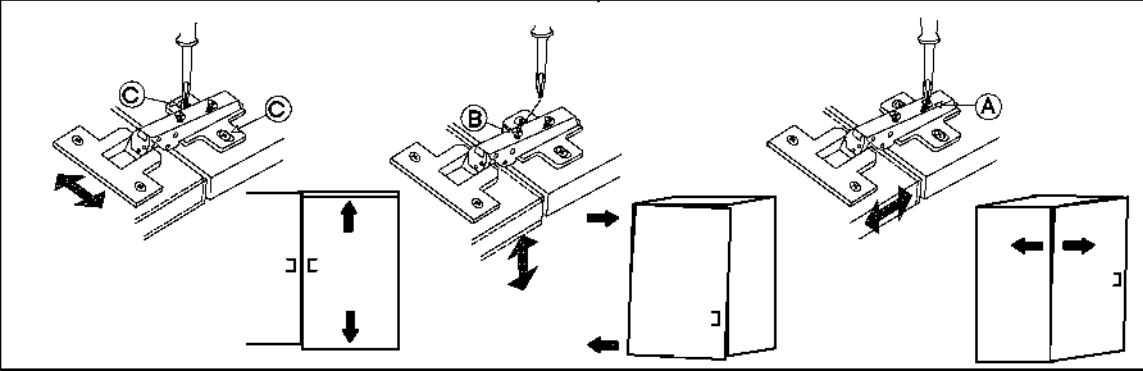
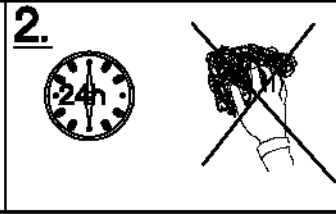
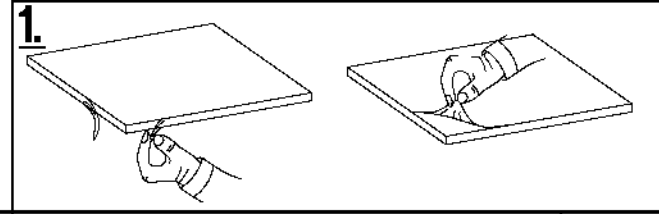


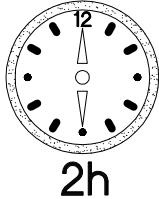
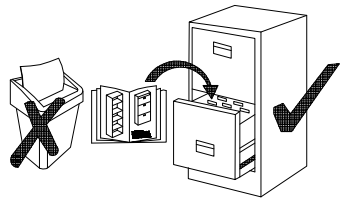
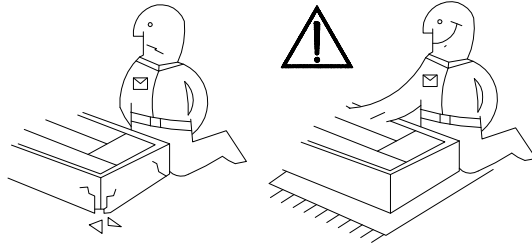
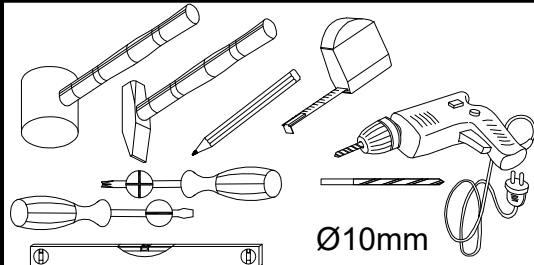
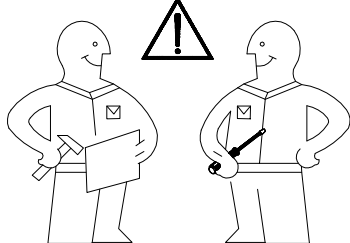


|  |  |
|--|--|
| ∅3.0x16mm  | L=595mm  |
|  |  |
| P11  | SL60   |
| 12   | 3  |



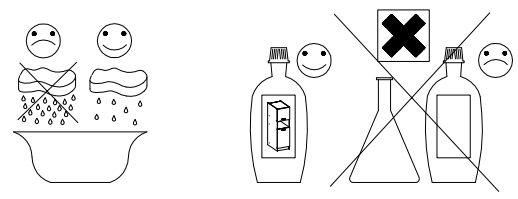
## VARIANT HIGH GLOSS



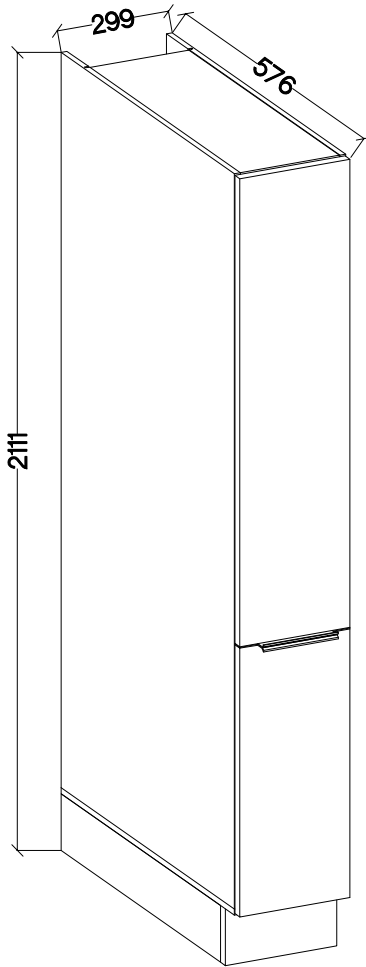


SAFADO / MARLEEN

73-152-...  
73-15B-...  
73-15A-...



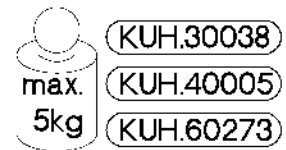
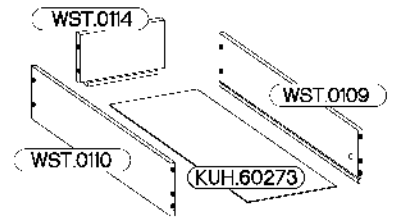
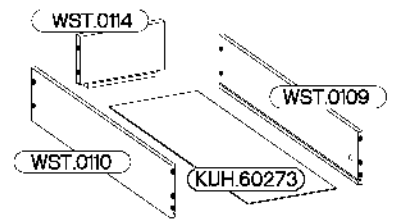
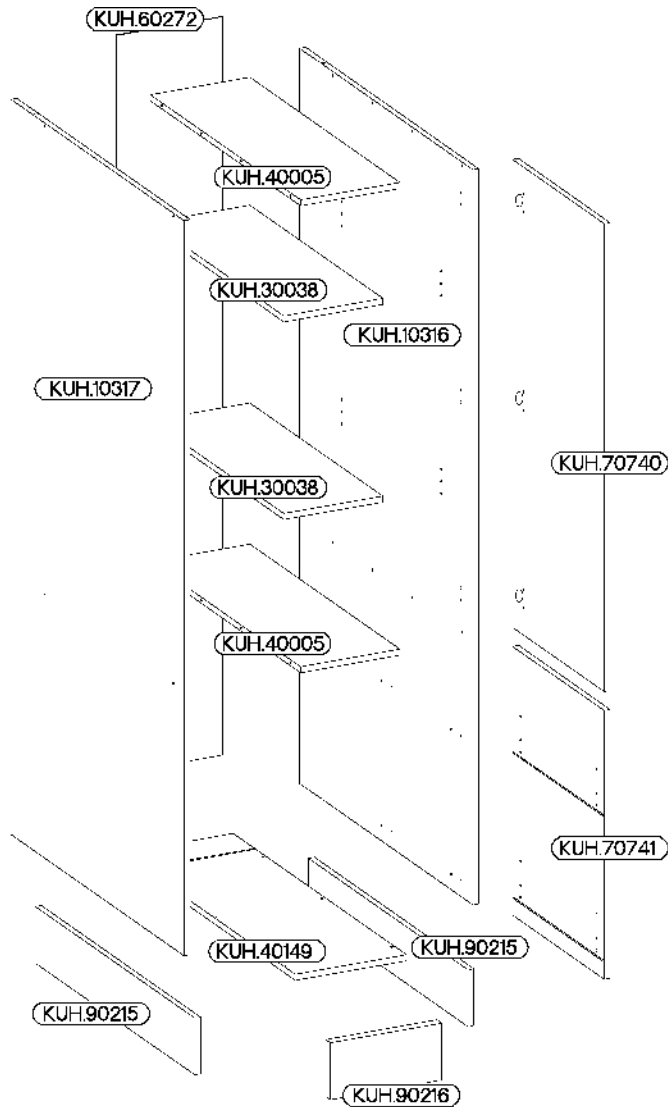
**respekta®**



|                    |                       |                    |                       |                         |                       |                     |                      |                    |                            |                    |
|--------------------|-----------------------|--------------------|-----------------------|-------------------------|-----------------------|---------------------|----------------------|--------------------|----------------------------|--------------------|
| †8x30mm<br>A<br>16 | 6,4 x 50mm<br>B<br>14 | †6x42mm<br>B2<br>8 | †12/10mm<br>C5<br>4   | L=20mm<br>D2<br>4       | E1<br>14              | F15<br>4            | F16<br>6             | †35/0mm<br>HG<br>3 | L=450mm<br>L R<br>I11<br>2 | †5/16mm<br>J3<br>8 |
| L25<br>1           | †6.3x13mm<br>M2<br>16 | O<br>1             | †3.5x13mm<br>P5<br>36 | †3.0x20mm<br>P7<br>8-10 | †3.0x16mm<br>P11<br>6 | †4.0x25mm<br>R<br>4 | L=295mm<br>SL30<br>2 |                    |                            |                    |



ISM-KUH-01606



| Colli       | Spare Part   | Dimension    |
|-------------|--------------|--------------|
| Colli 1/2   | KUH.40005 x2 | 267x485x16   |
|             | KUH.40149    | 299x560x16   |
|             | KUH.70740    | 1238x296x16  |
|             | KUH.90215 x2 | 515x150x16   |
|             | KUH.90216    | 299x150x16   |
| Colli 2/2   | KUH.10316    | 1945x560x16  |
|             | KUH.10317    | 1945x560x16  |
|             | KUH.30038 x2 | 266x430x16   |
|             | KUH.60272    | 1953x285x2,5 |
|             | KUH.60273 x2 | 448x237x2,5  |
|             | KUH.70741    | 711x296x16   |
|             | WST.0109 x2  | 450x140x12   |
|             | WST.0110 x2  | 450x140x12   |
| WST.0114 x2 | 227x140x12   |              |

+8x30mm

L

+6.3x13mm

R



8

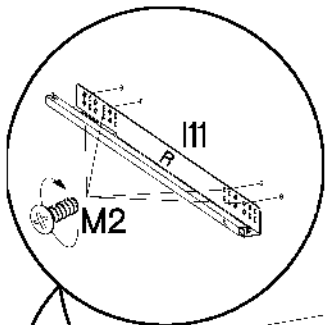
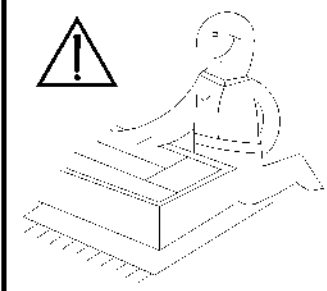
A L=450mm

2

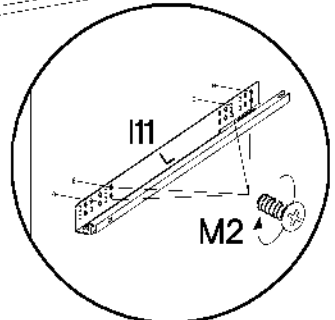
I11

M2

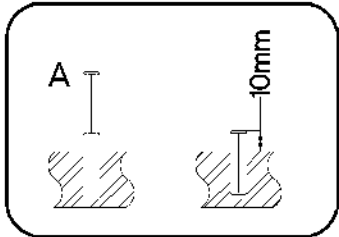
16



KUH.10316

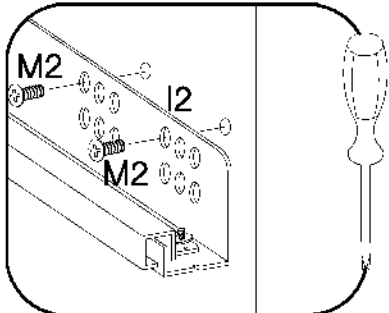
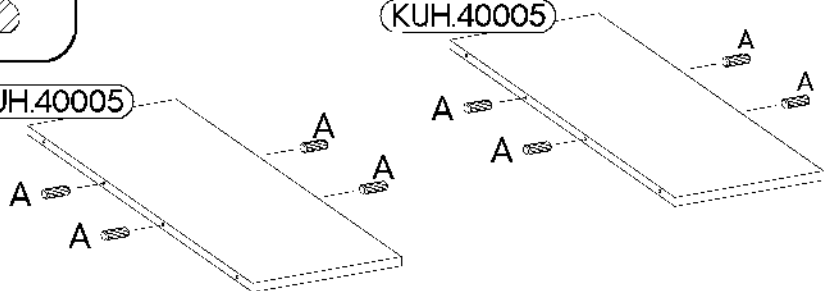


KUH.10317

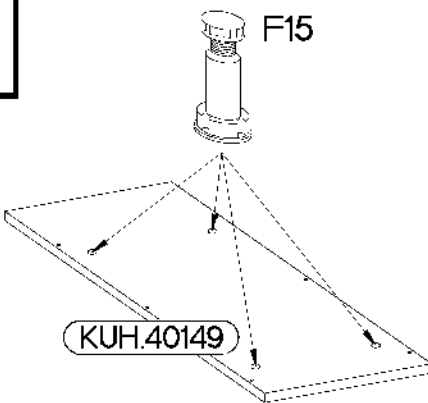


KUH.40005

KUH.40005



2



+3.5x13mm

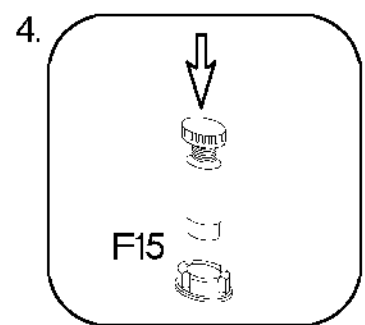
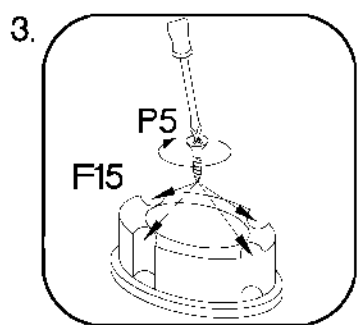
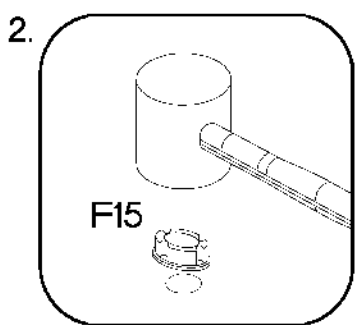
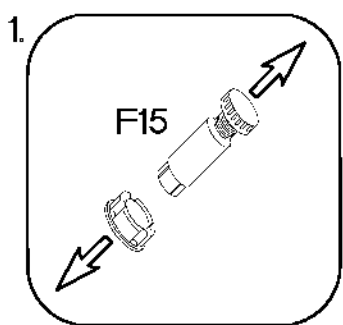
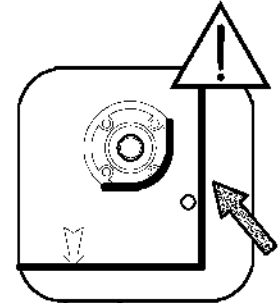
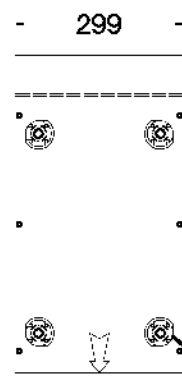


P5

F15

16

4



6,4 x 50mm



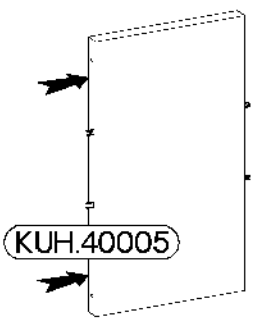
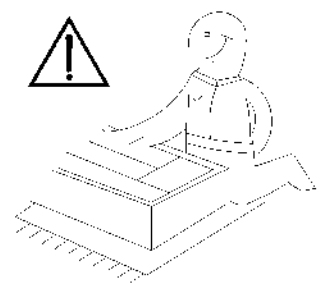
2 B



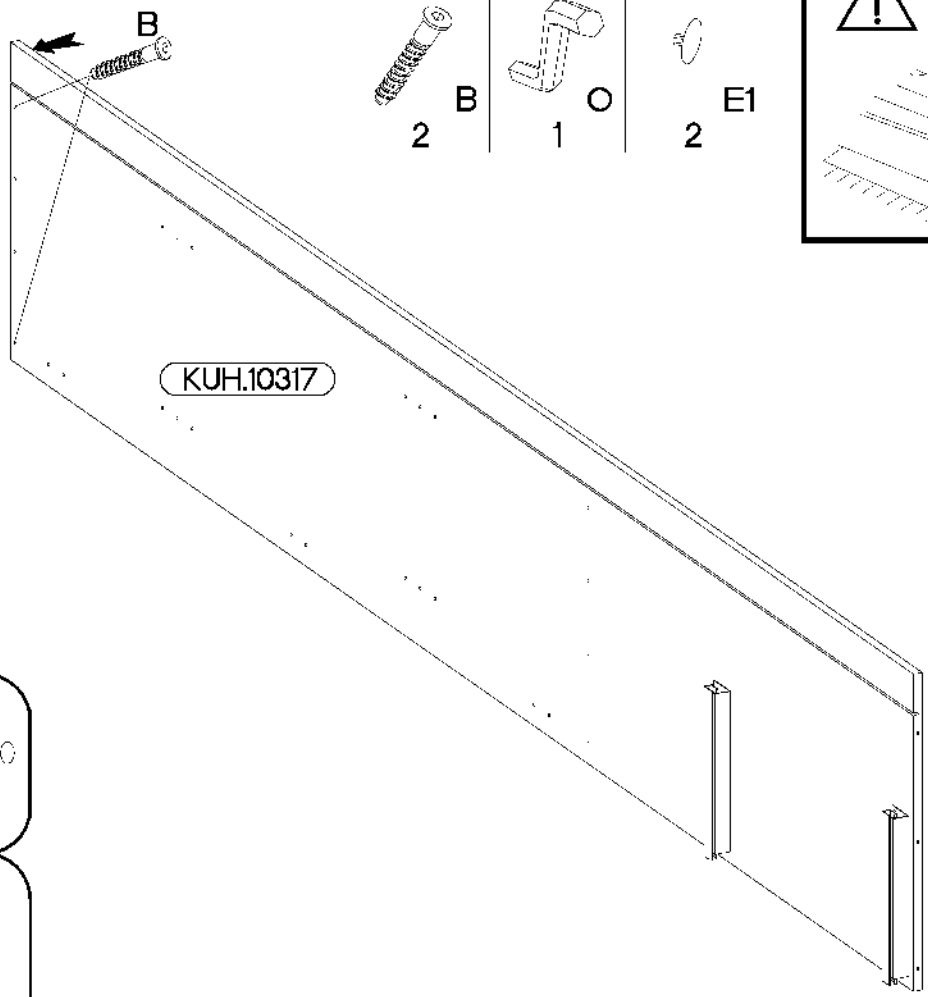
1 O



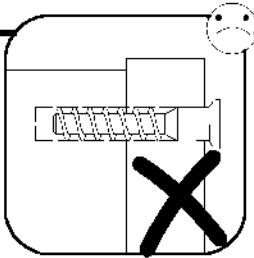
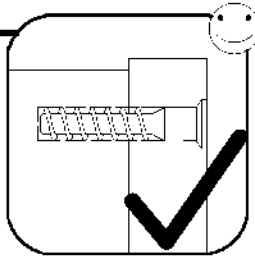
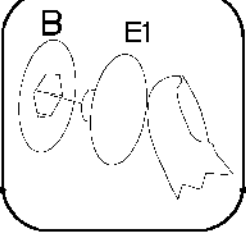
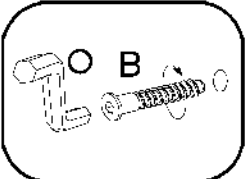
2 E1



KUH.40005



KUH.10317



KUH.40005

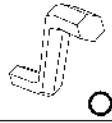
KUH.10317

KUH.40005

6,4 x 50mm



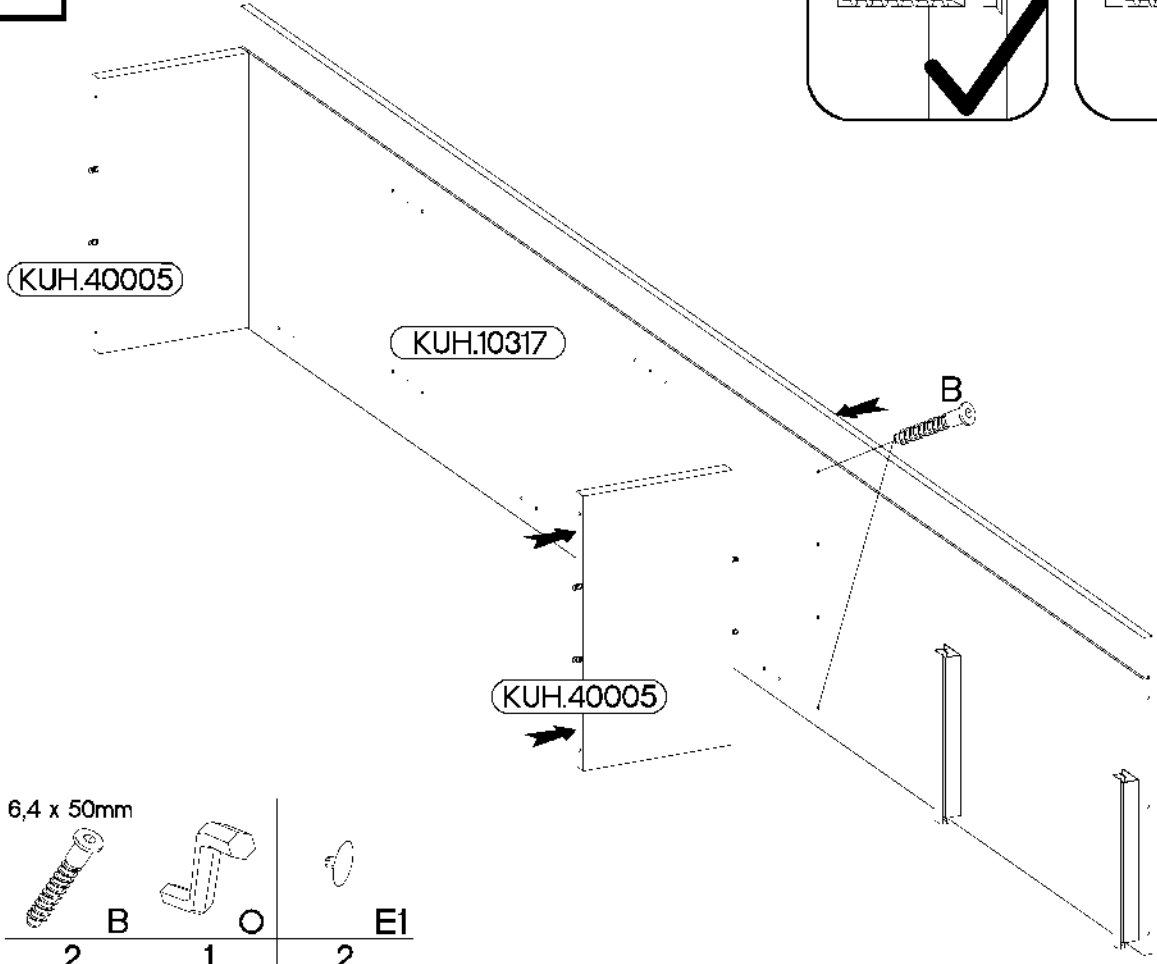
2 B



1 O

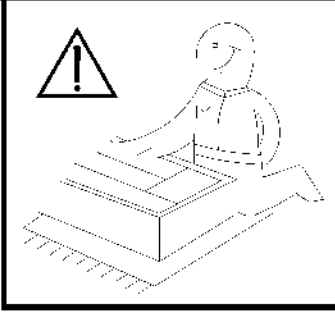
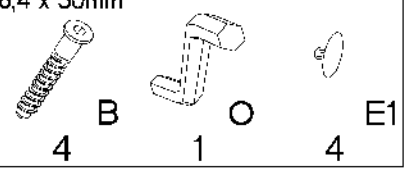


2 E1

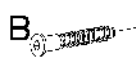




6,4 x 50mm



KUH.40005

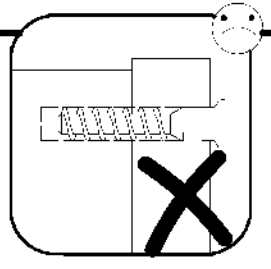
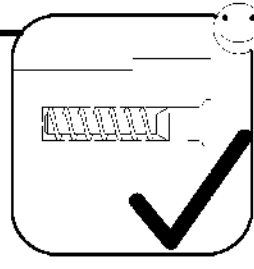
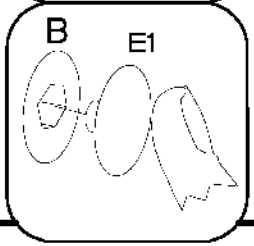
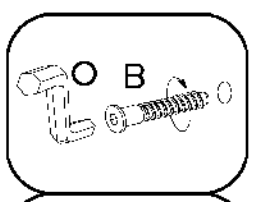


KUH.10317

KUH.10316



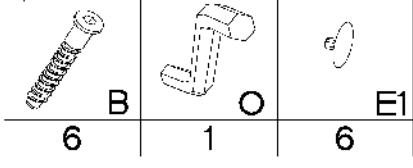
KUH.40005



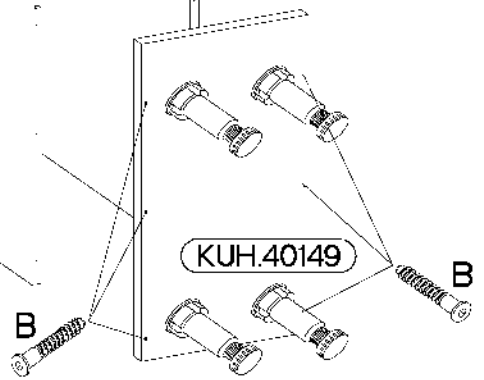
KUH.10317

KUH.10316

6,4 x 50mm



KUH.40149



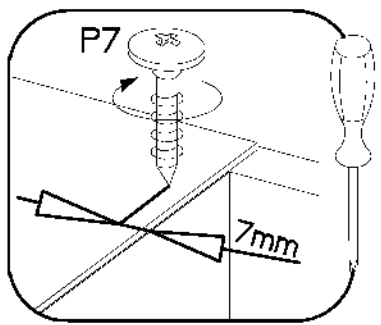
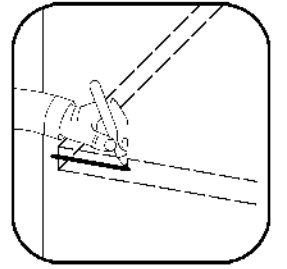
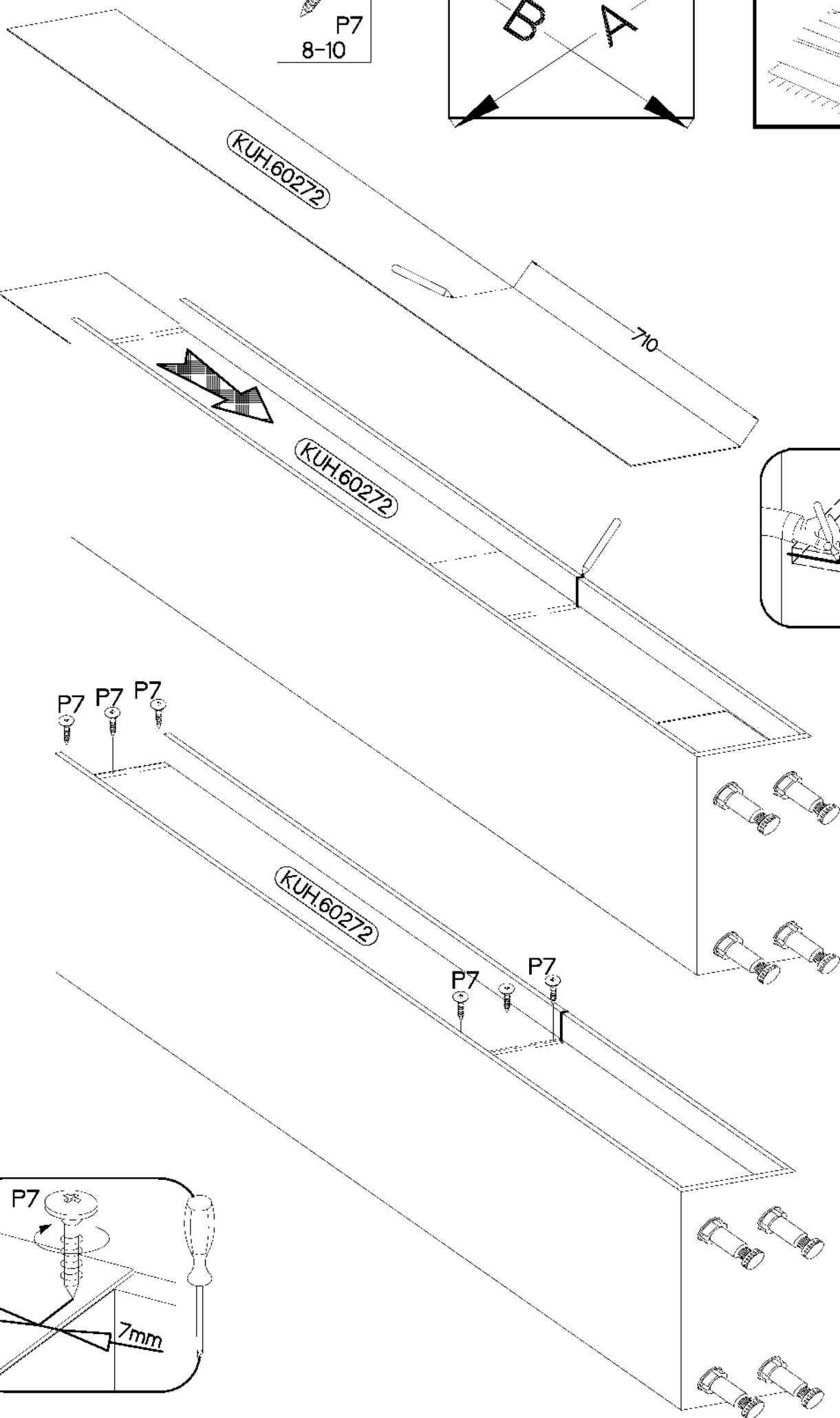
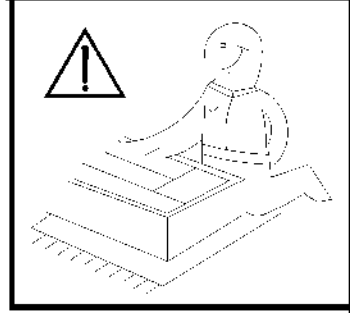
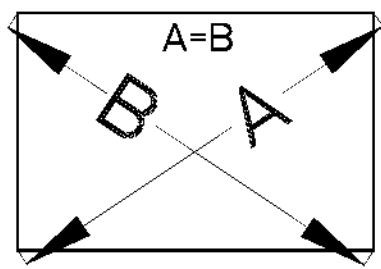


3.0x20mm



P7

8-10



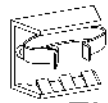


±3.5x13mm



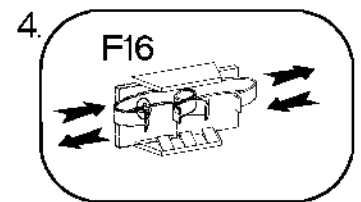
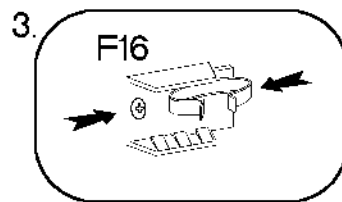
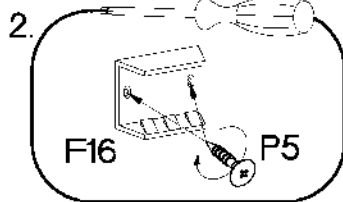
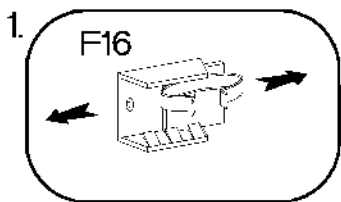
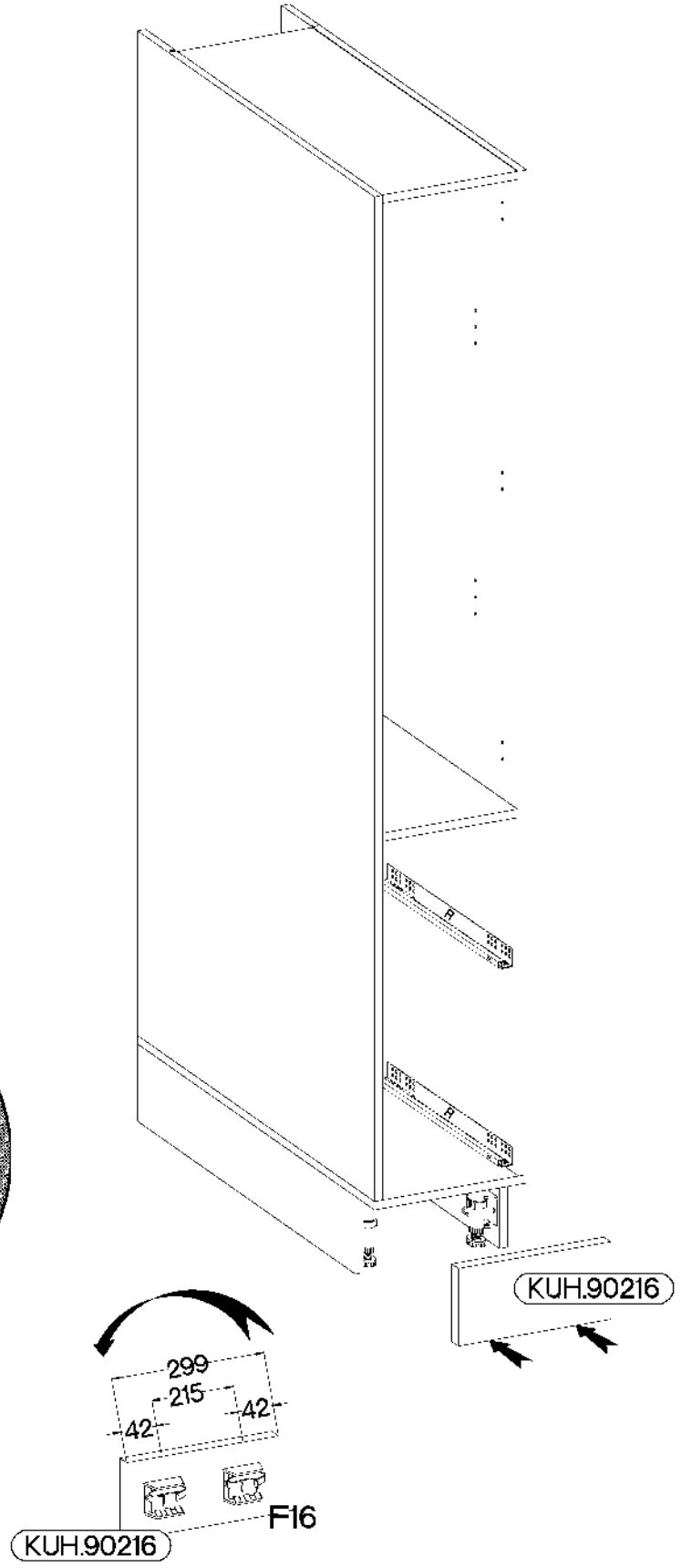
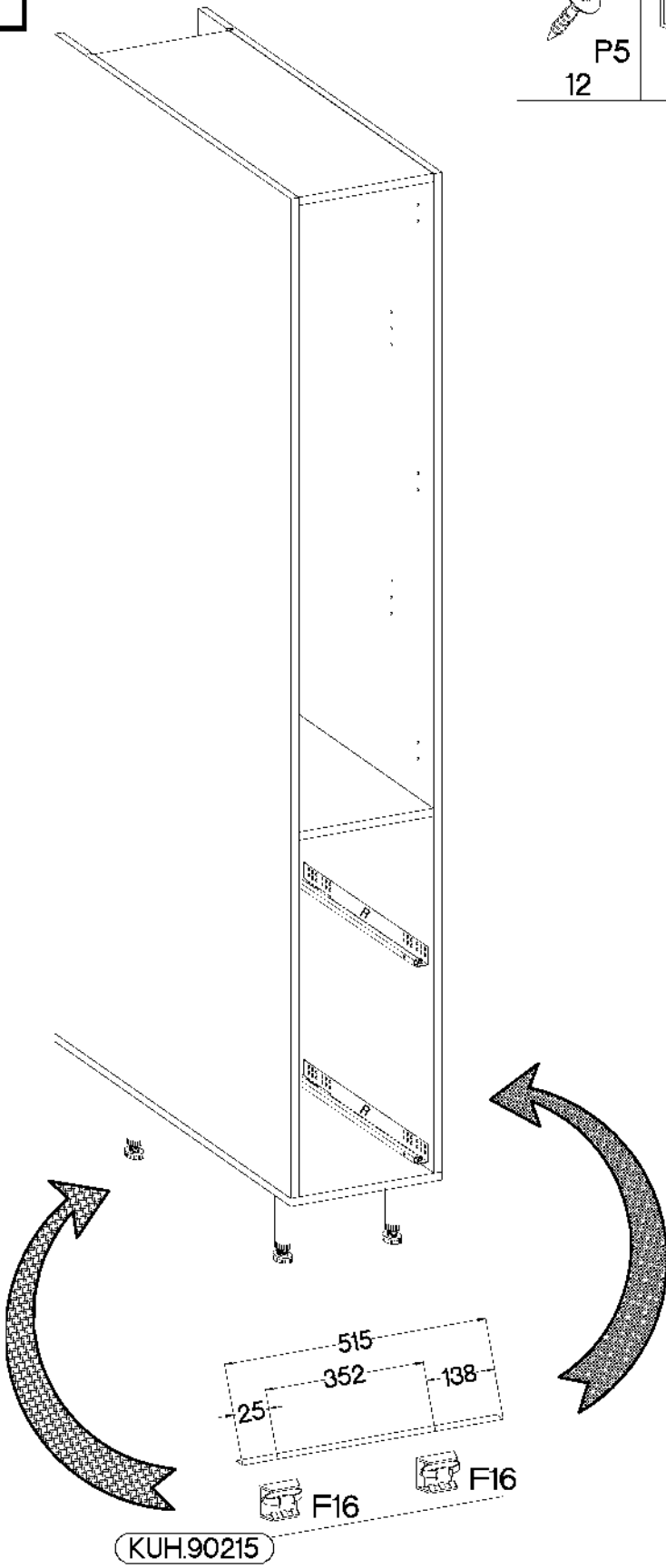
P5

12

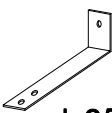



F16

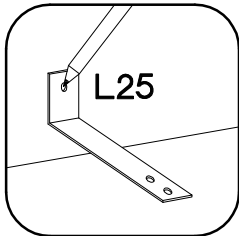
6



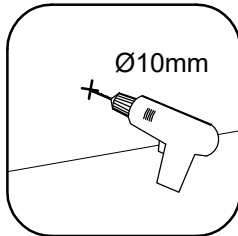


|  |  |
|--|--|
|  |  |
| L25  | P5   |
| 1  | 2  |

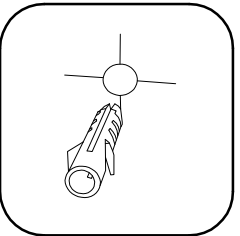
1.



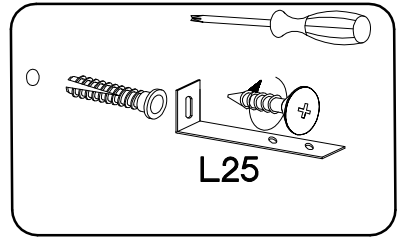
2.



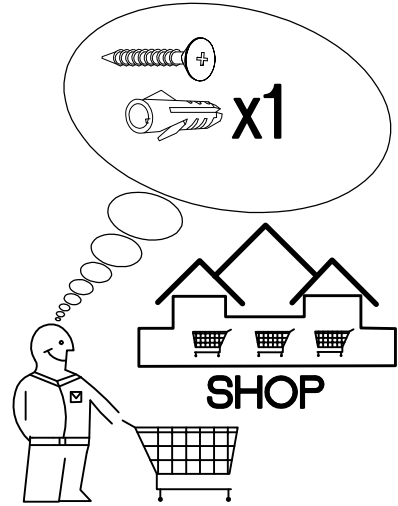
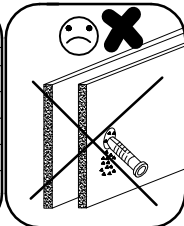
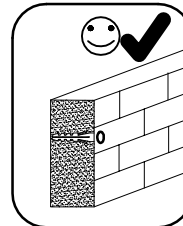
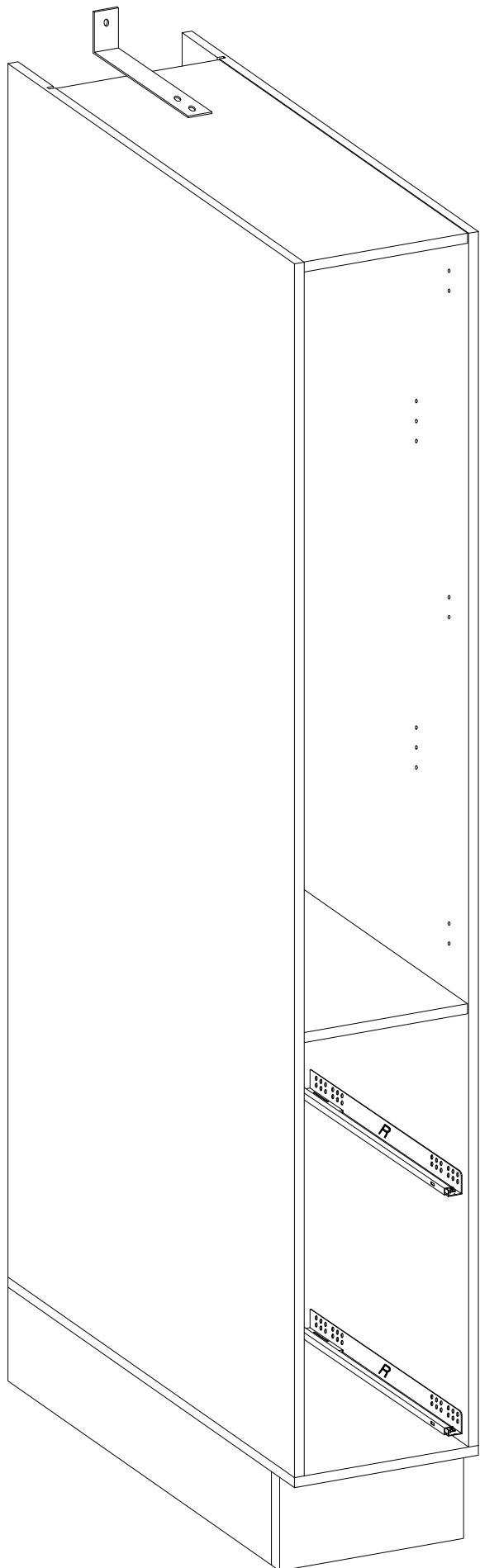
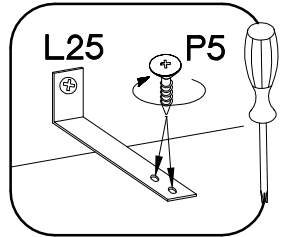
3.



4.



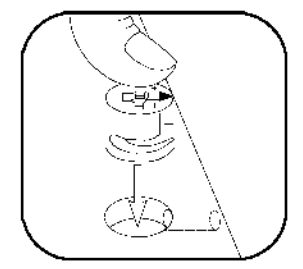
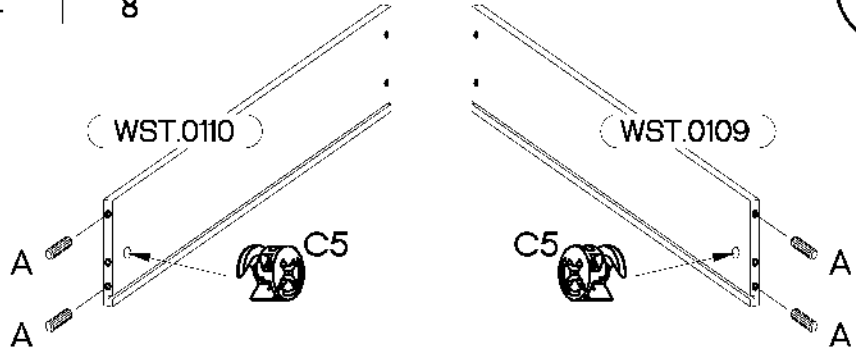
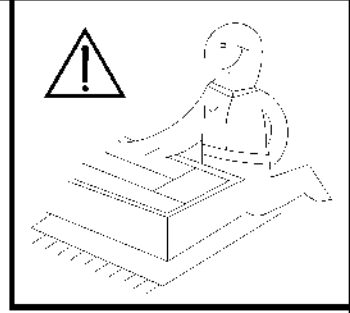
5.



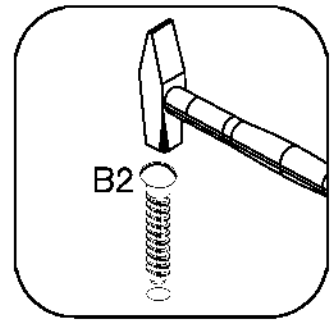
10

- #12/10mm C5 4
- #8x30mm A 8

x2

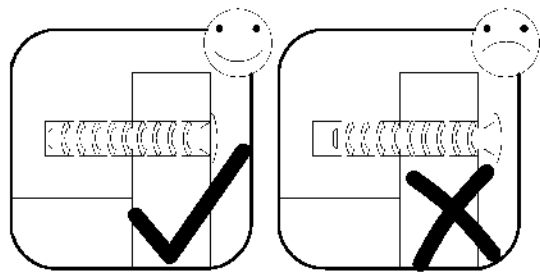
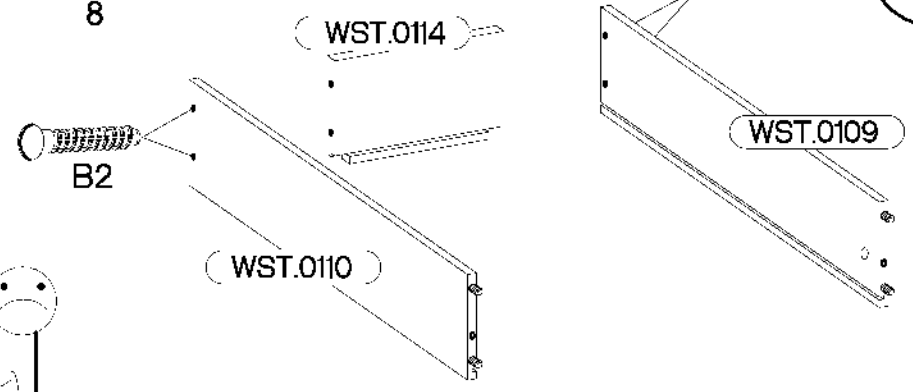


1



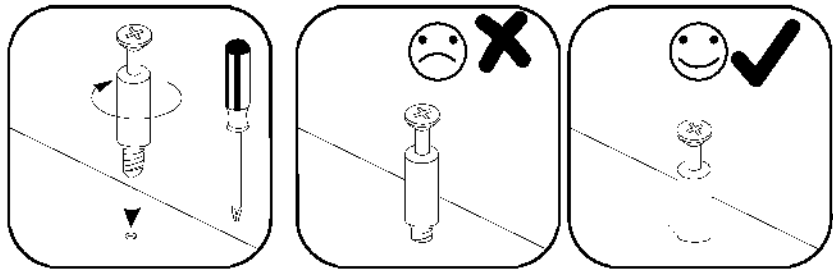
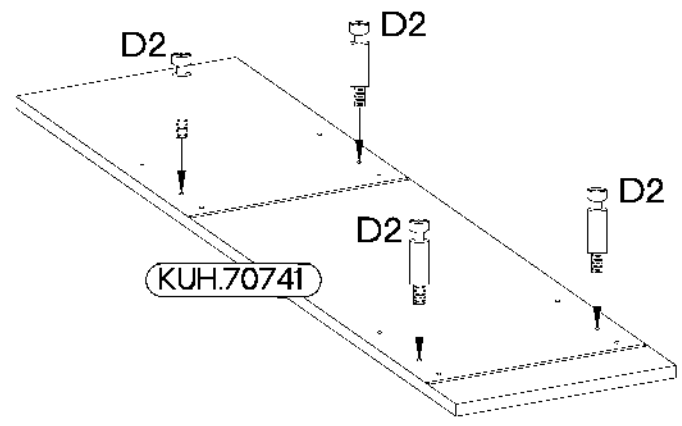
- #6x42mm B2 8

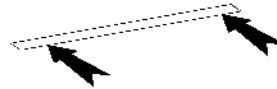
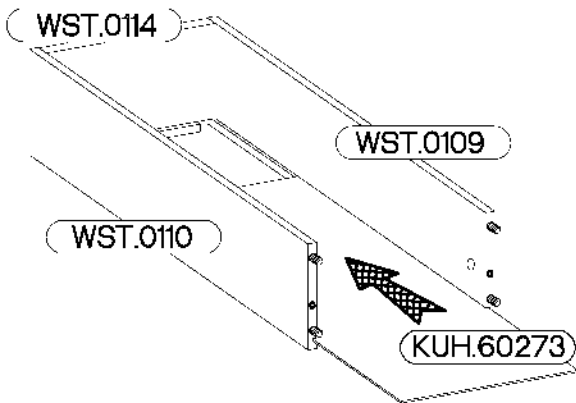
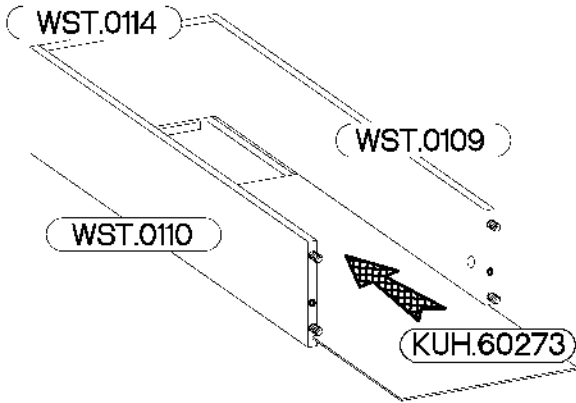
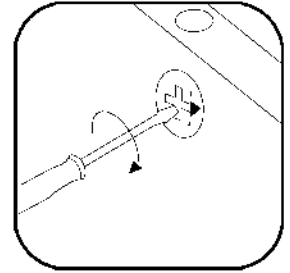
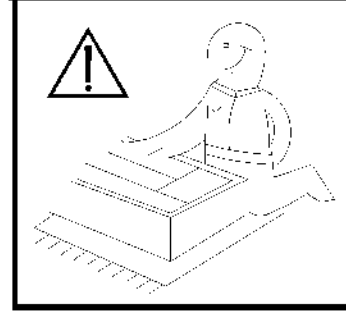
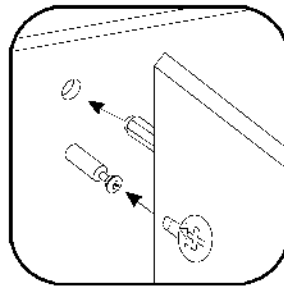
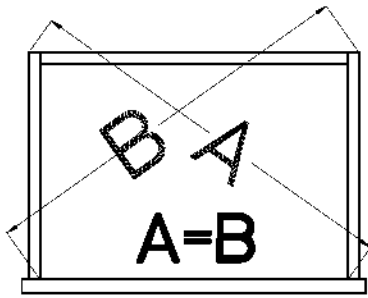
x2



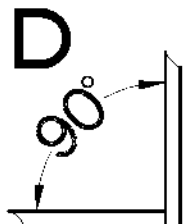
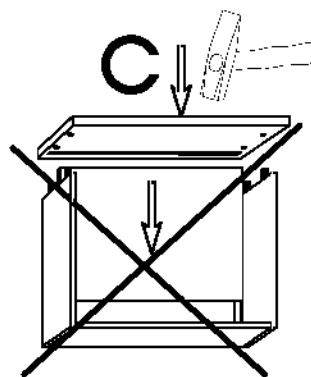
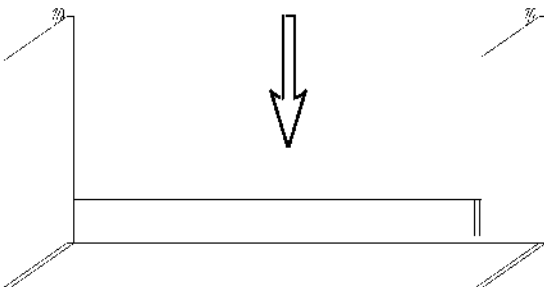
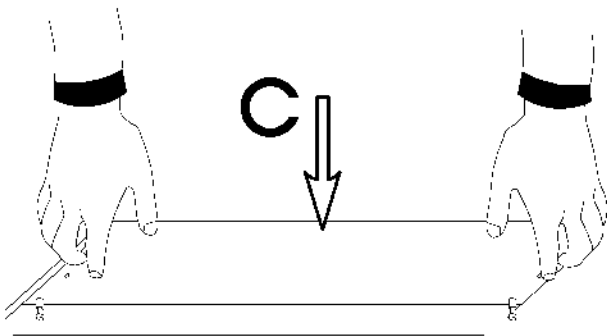
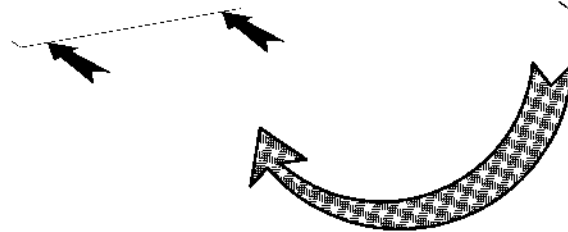
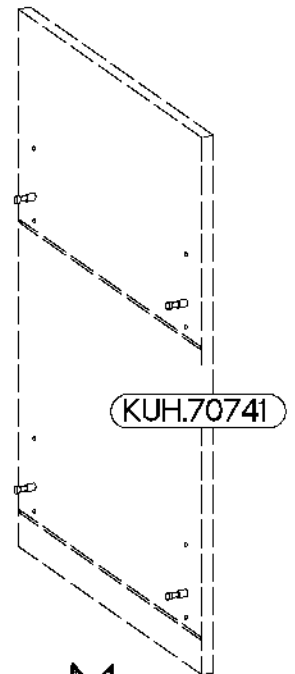
2

- L=20mm D2 4

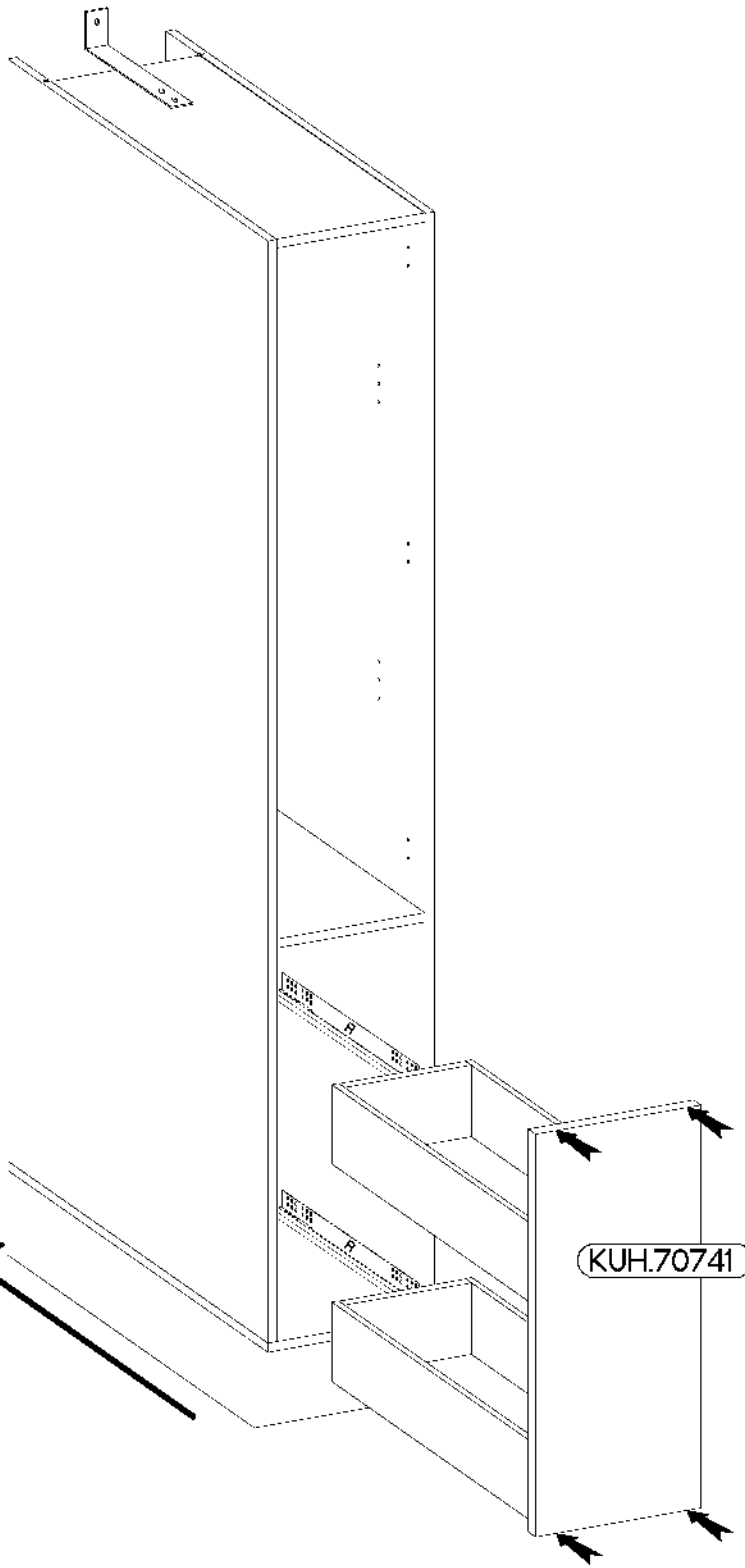




(KUH.70741)

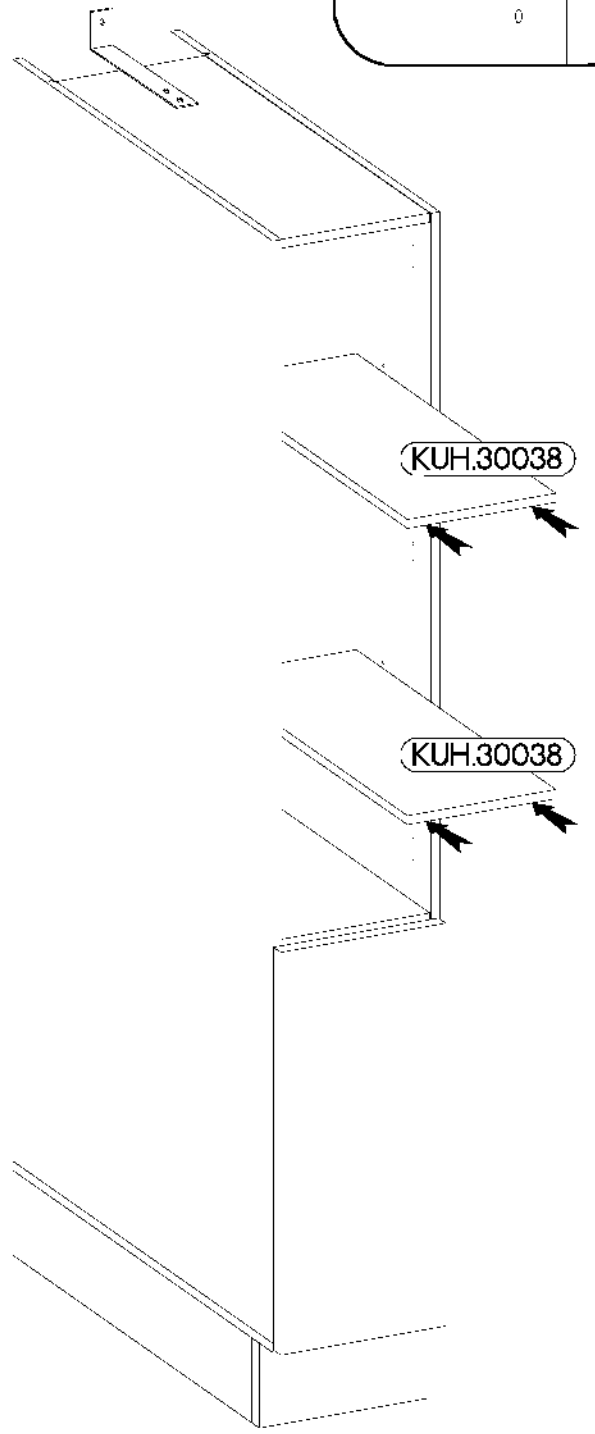
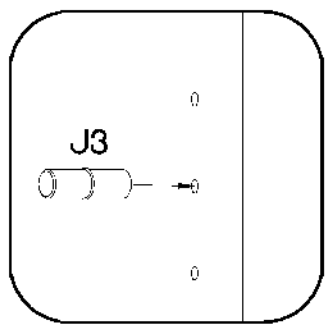


14

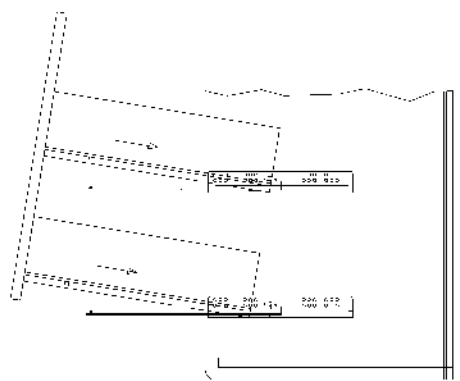


15

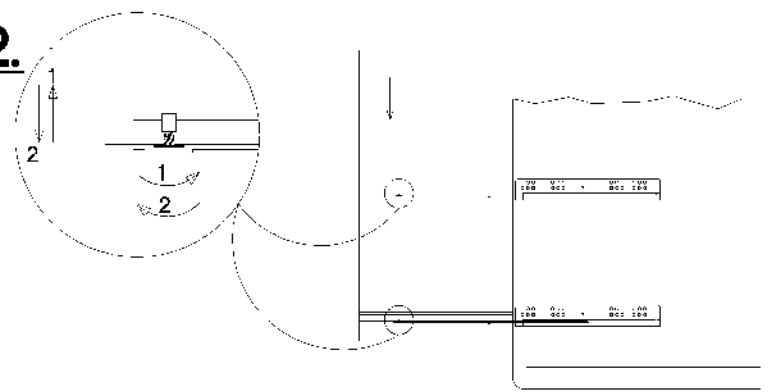
±5/16mm  
 J3  
 8





1.

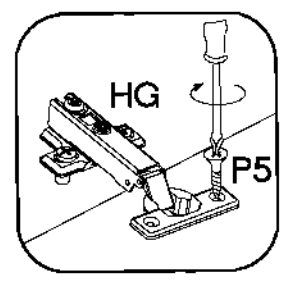
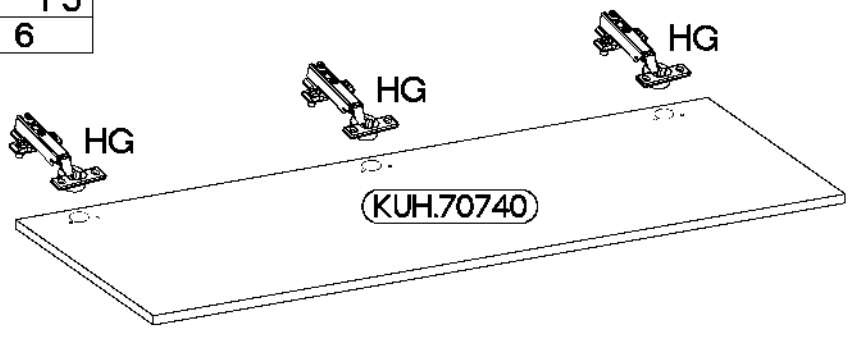


2.

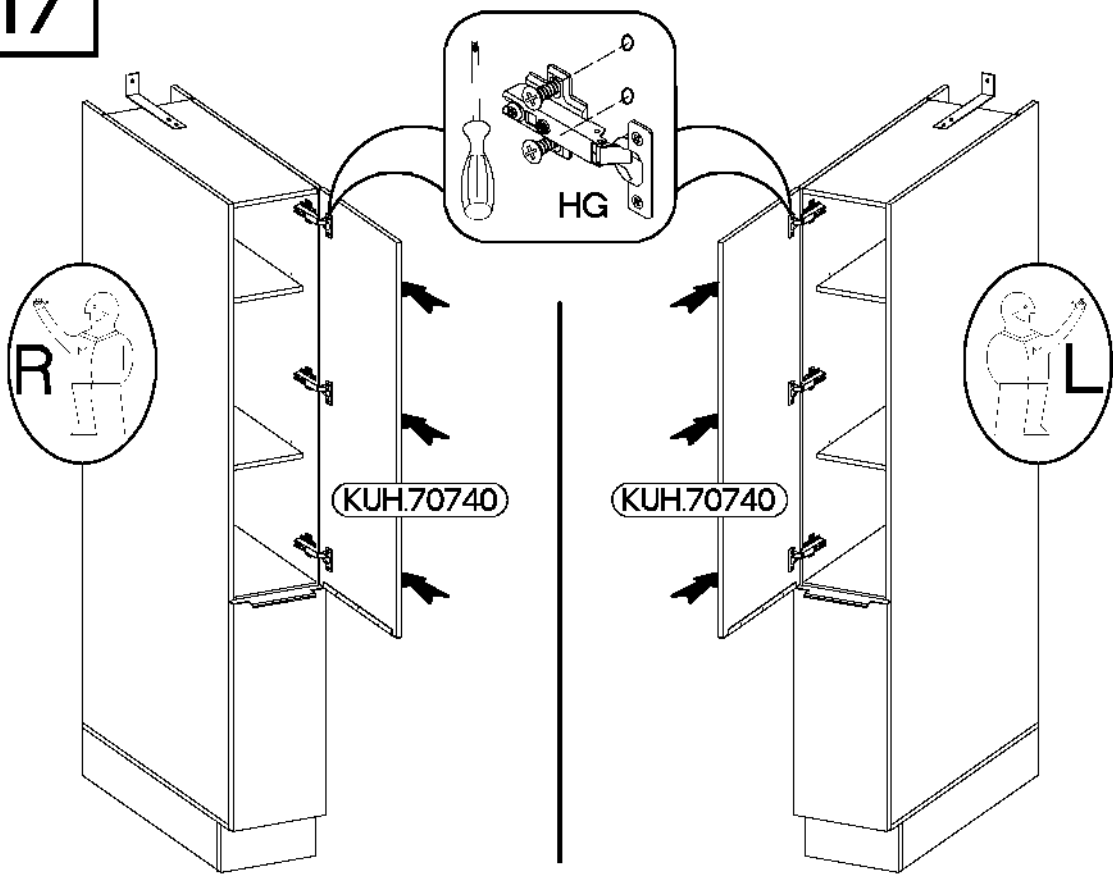




16

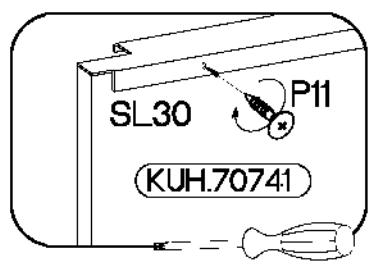
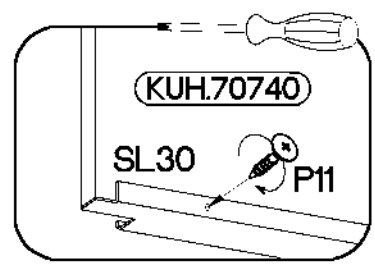
|  |  |
|--|--|
|  <p>HG<br/>3</p> |  <p>P5<br/>6</p> |
|--|--|



17



|  |   |
|--|---|
|  <p>P11<br/>6</p> |  <p>L=295mm<br/>SL30<br/>2</p> |
|--|---|



VARIANT HIGH GLOSS

