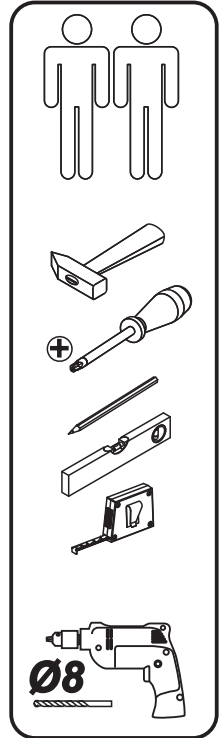
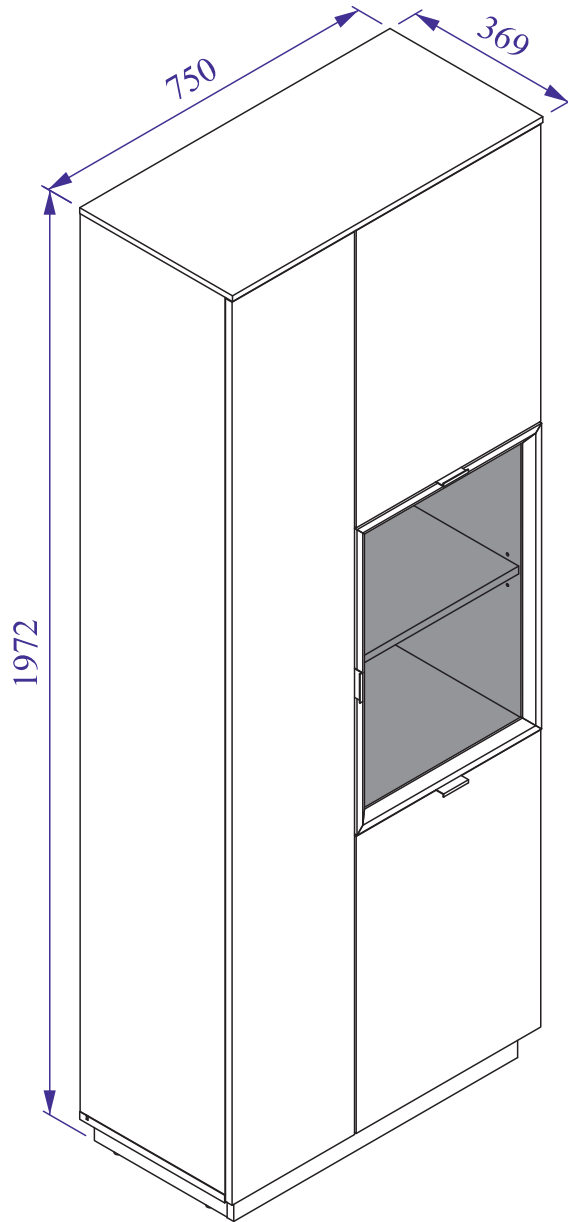
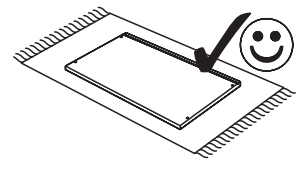
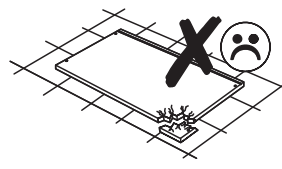
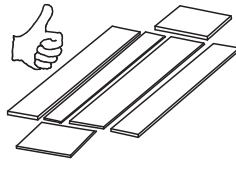
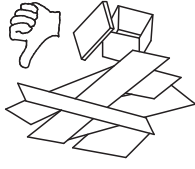



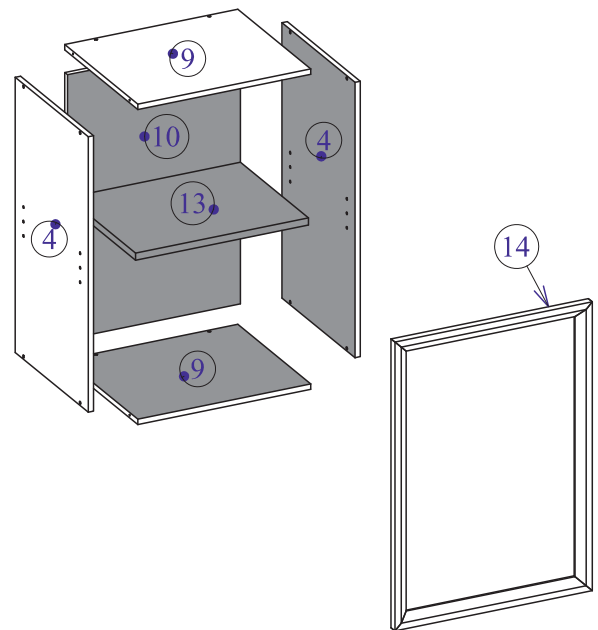
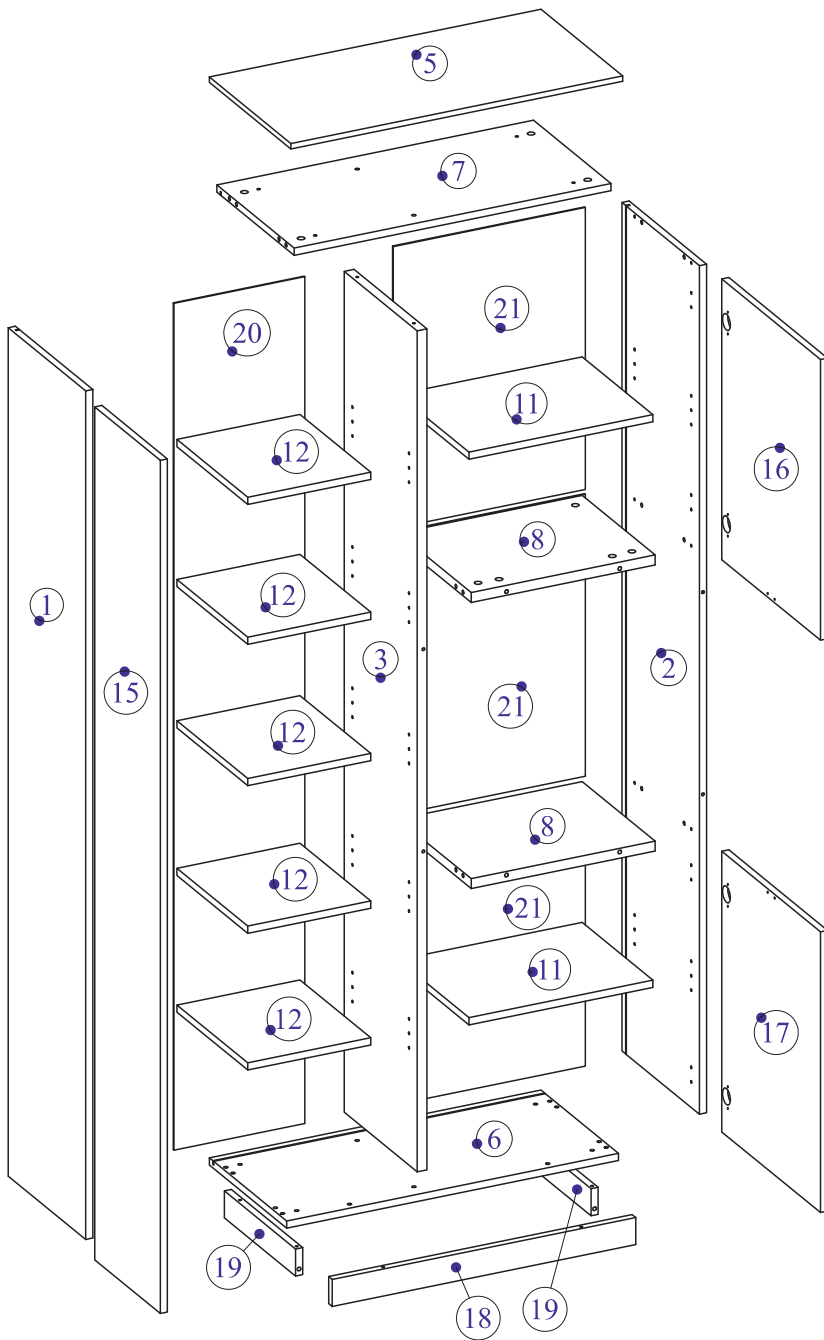
# NAGOS 01560004/01



<b>L</b>  Ø3x18 x10	<b>M3</b>  Ø3,5x30 x12	<b>M</b>  Ø4x13 x17	<b>M2</b>  Ø4x25 x4	<b>A2</b>  Ø6x30 x4	<b>A</b>  Ø8x30 x18	<b>B</b>  Ø7x45 x16	<b>C</b>  Ø15x12 x4	<b>C1</b>  Ø15x19 x12
<b>D</b>  Ø18 x12	<b>E</b>  Ø7x50 x14	<b>E1</b>  Ø12 x6	<b>O</b>  x3	<b>O1</b>  Ø3x16 x6	<b>I</b>  x16	<b>Q</b>  x8	<b>Q1</b>  Ø6,3x13 x16	<b>F</b>  x1
<b>T1</b>  Ø8x50 x1	<b>T2</b>  Ø5,5x50 x1	<b>R</b>  x1	<b>G2</b>  x32	<b>K</b>  x10	<b>J</b>  x4	<b>W</b>  Ø20 x4	<b>N</b>  Ø10x2 x6	

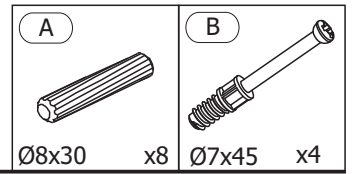
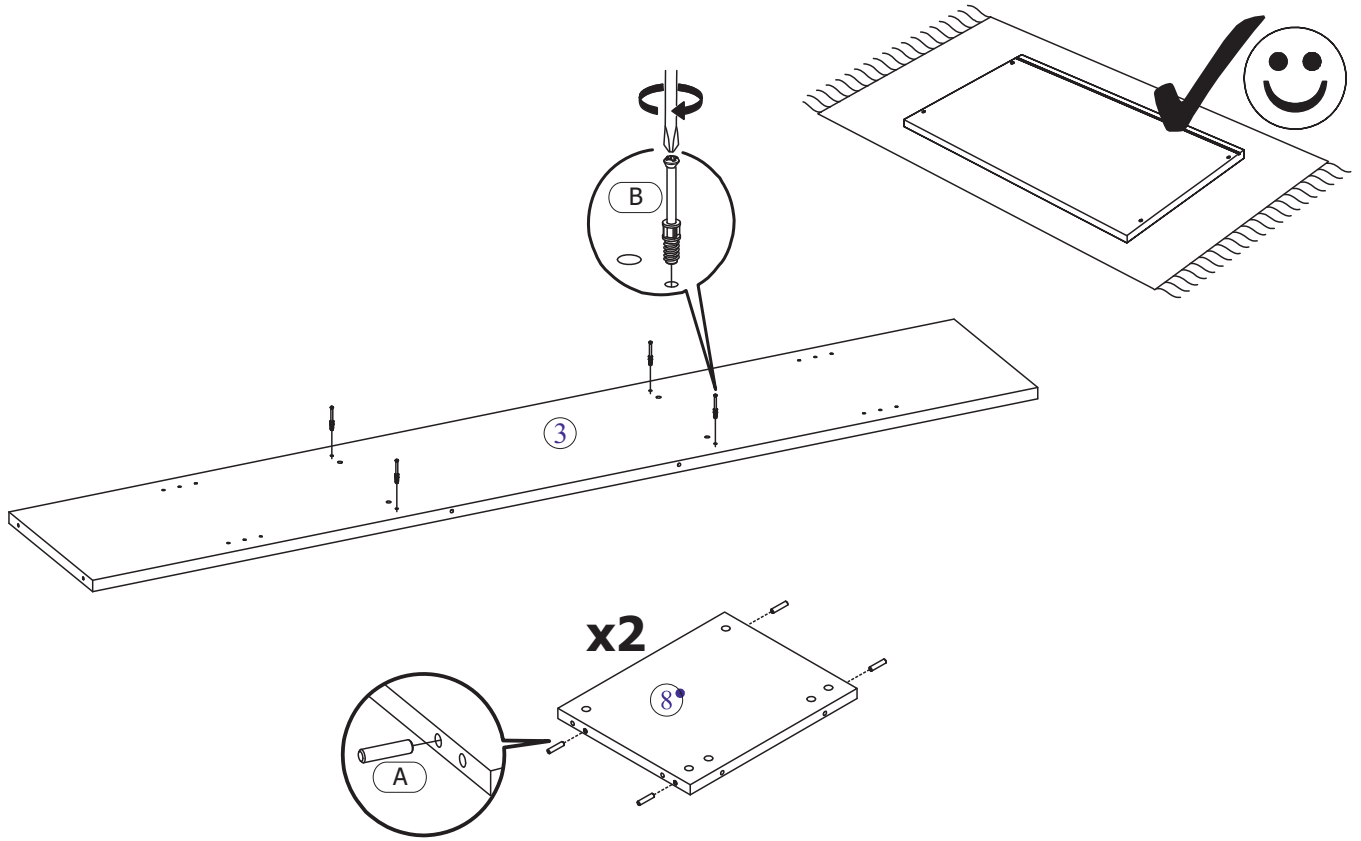


No	L	B	S	Q	
1	1880	350	16	1	2/3
2	1880	350	16	1	2/3
3	1863	330	22	1	2/3
4	610	330	12	2	1/3
5	750	369	12	1	1/3
6	750	350	16	1	1/3
7	716	350	16	1	1/3
8	416	330	22	2	3/3
9	391	330	12	2	3/3
10	586	391	12	1	3/3
11	416	320	16	2	3/3
12	278	320	16	5	1/3
13	391	308	16	1	1/3
14	640	446	18.4	1	3/3
15	1890	296	16	1	2/3
16	622	446	16	1	3/3
17	622	446	16	1	3/3
18	686	60	16	1	1/3
19	322	60	16	2	1/3
20	1876	296	3	1	2/3
21	625	434	3	3	3/3

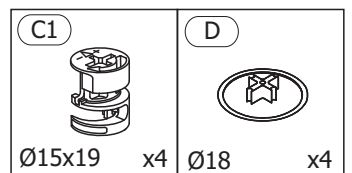
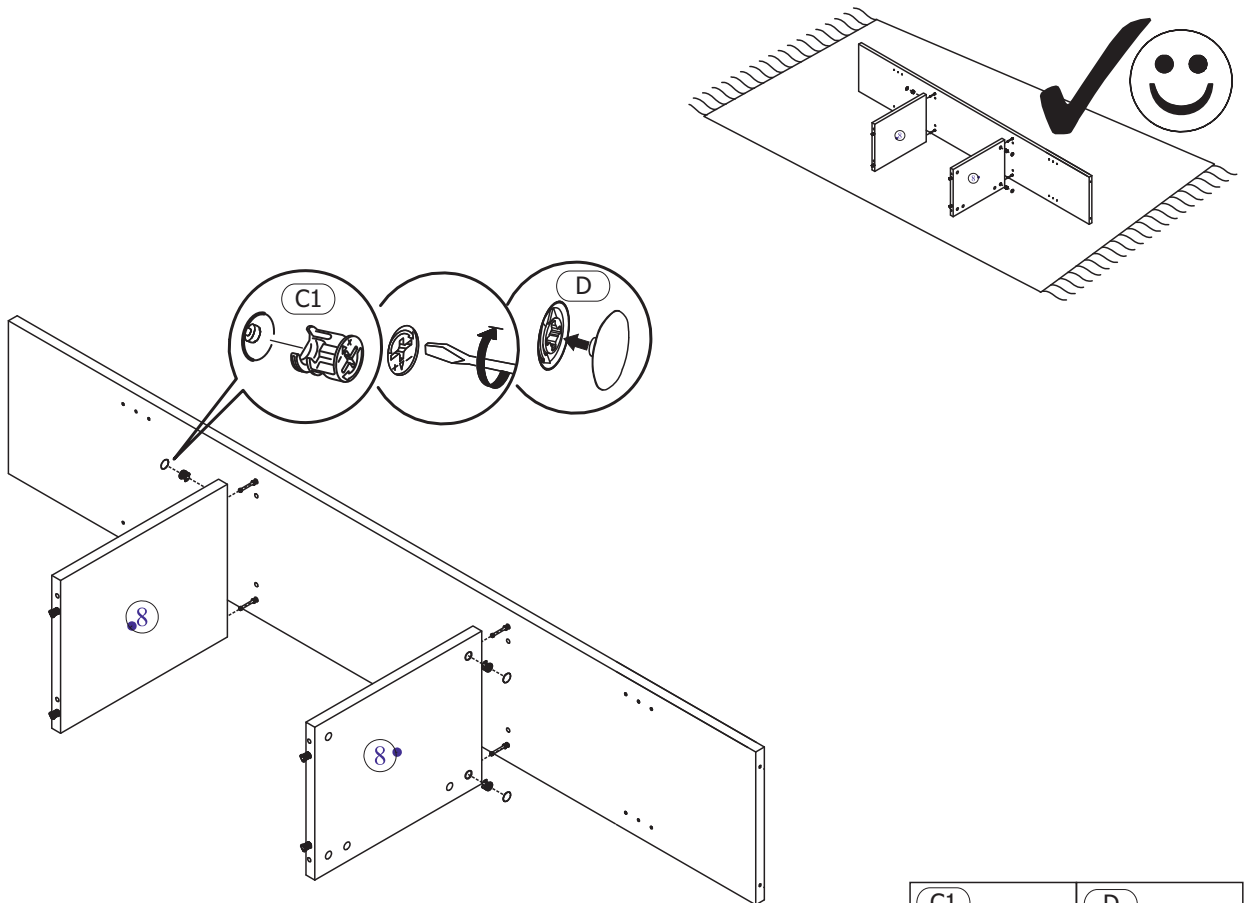


# 1

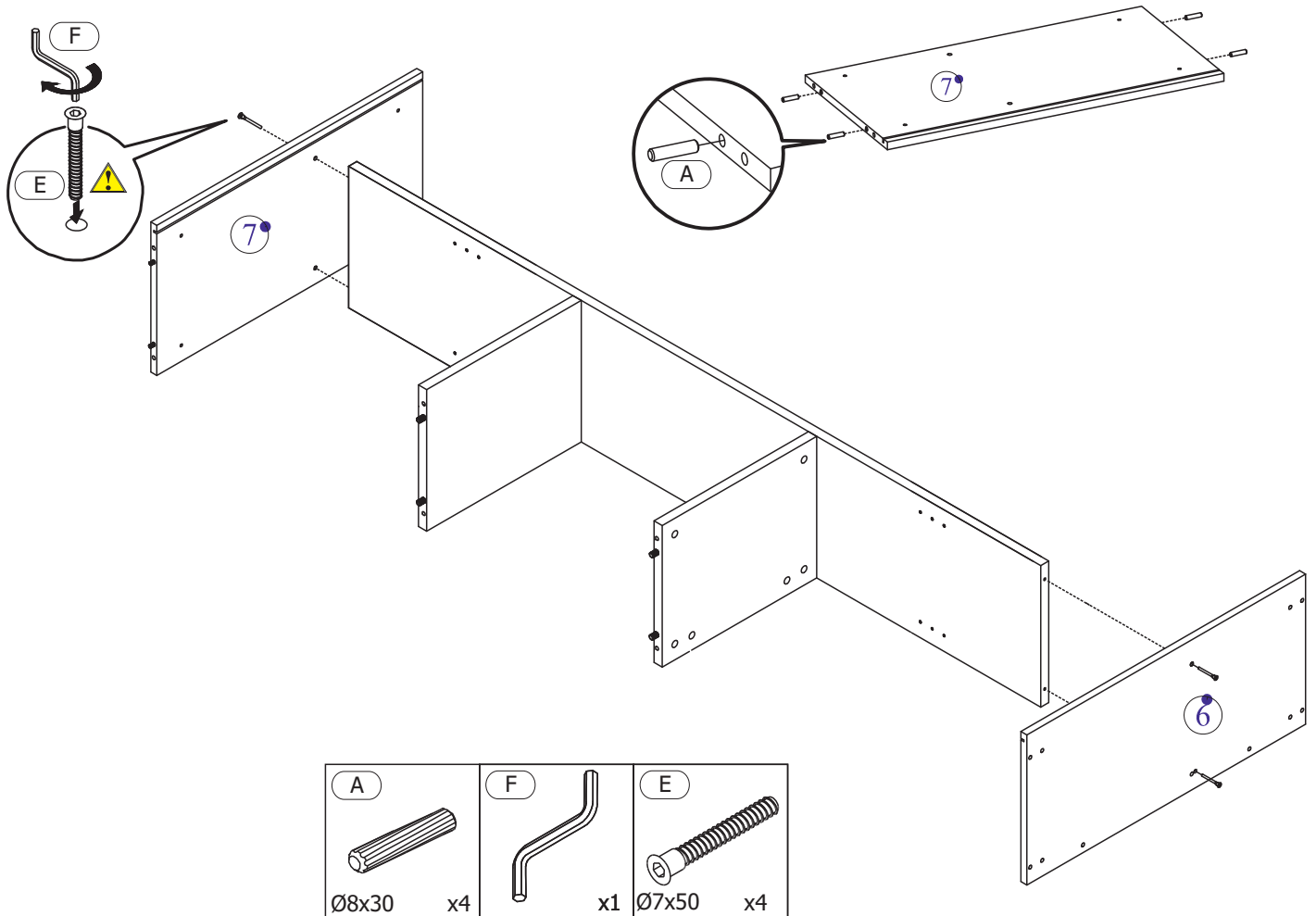
NAGOS 01560004/01



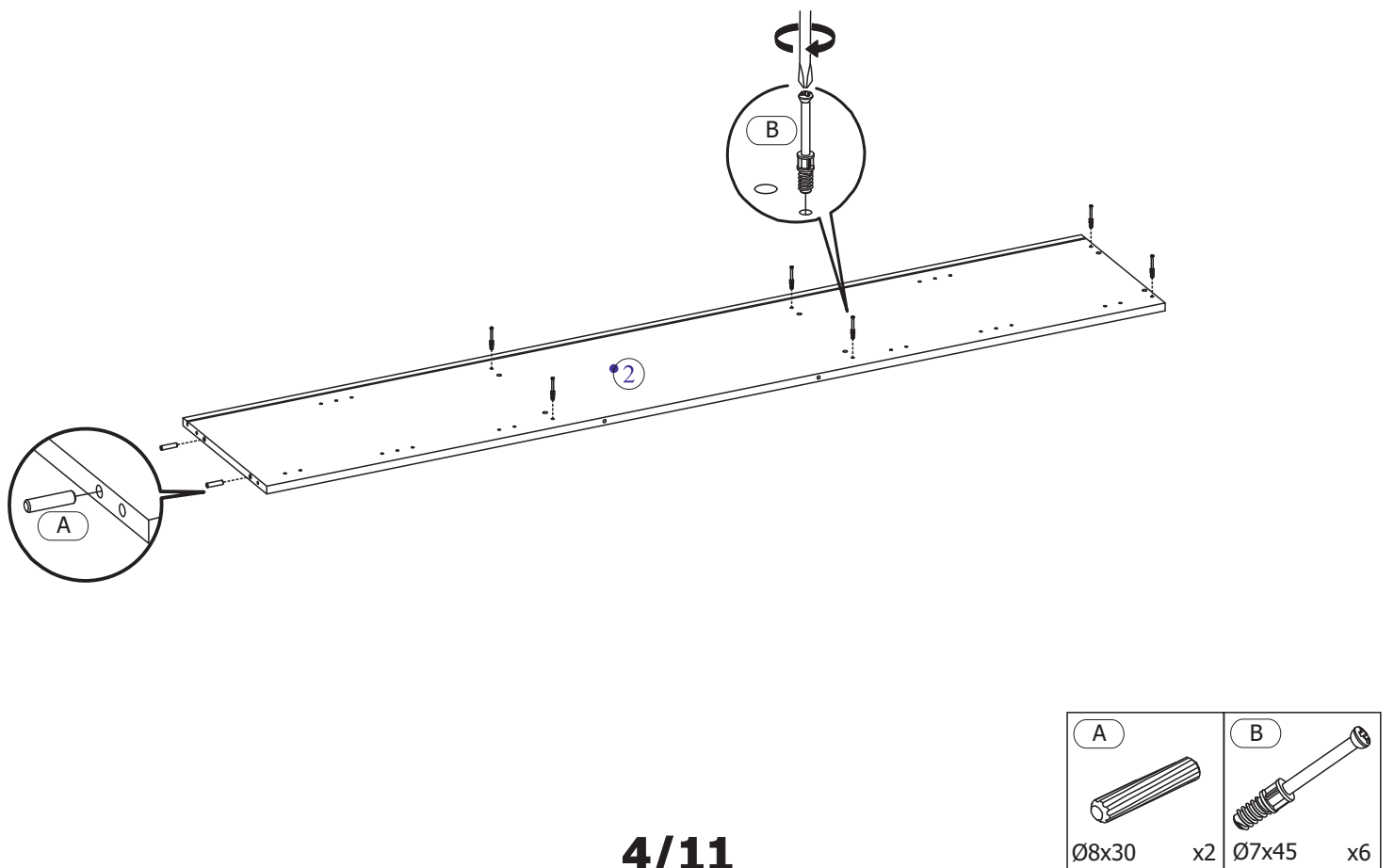
# 2



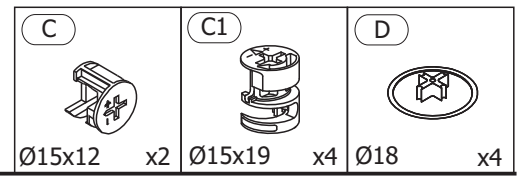
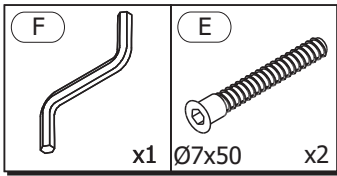
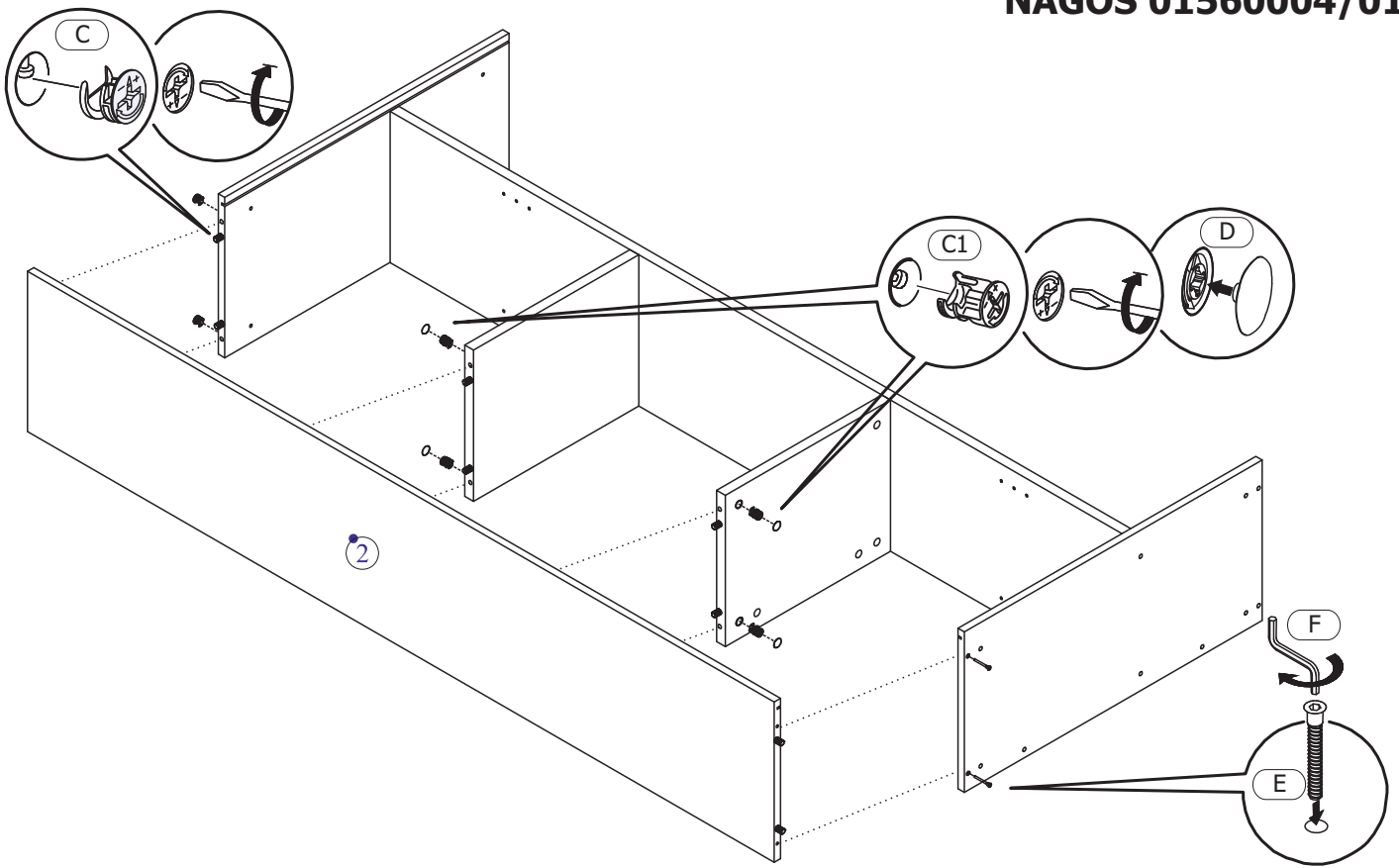
# 3



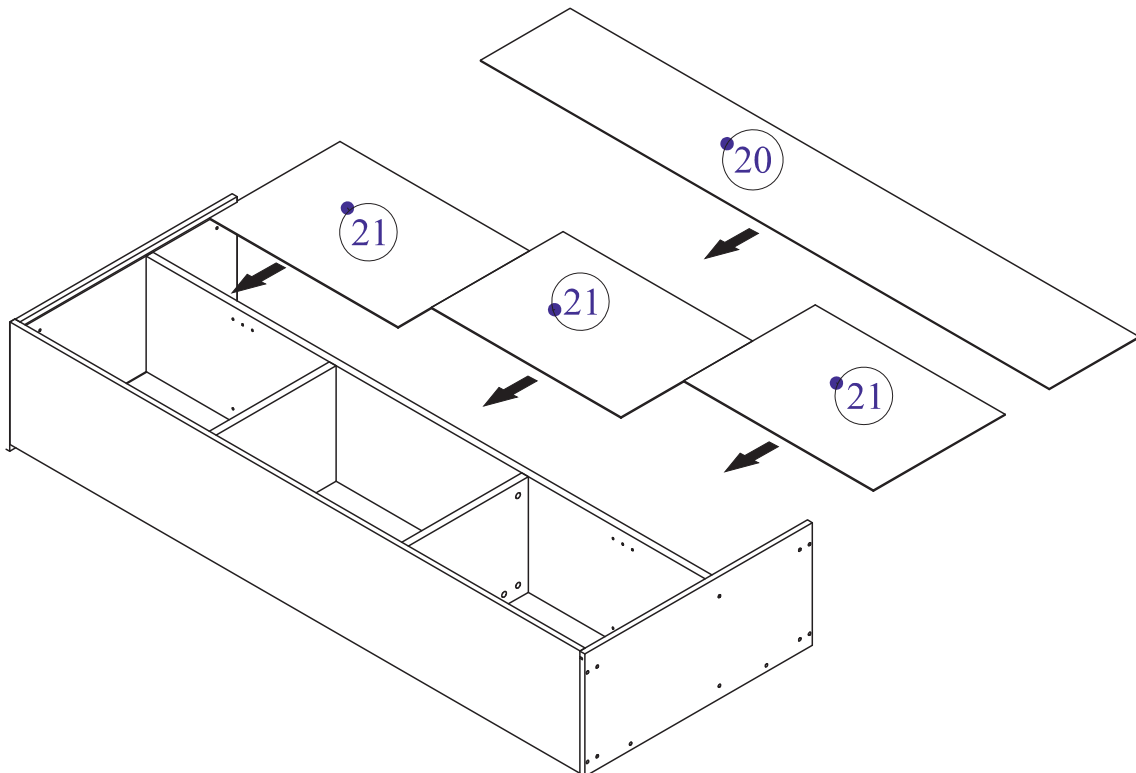
# 4

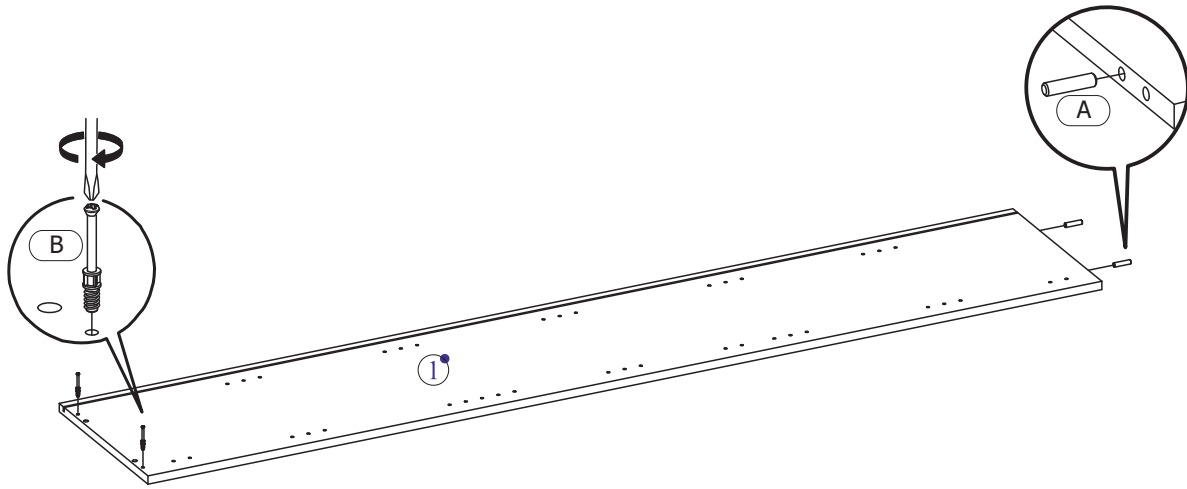


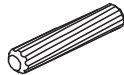
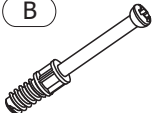
7



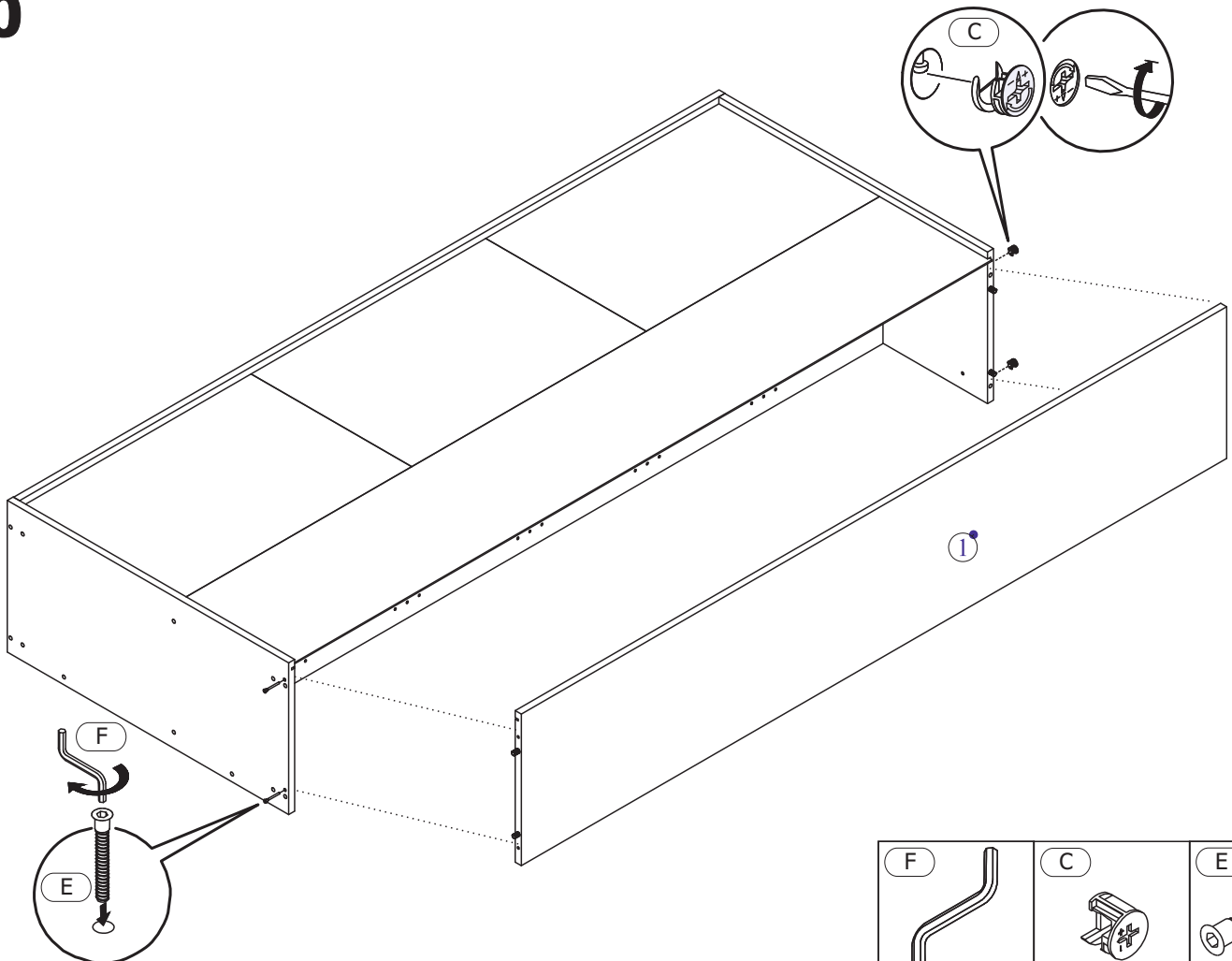
8



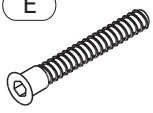




A  Ø8x30 x2	B  Ø7x45 x2
---	---

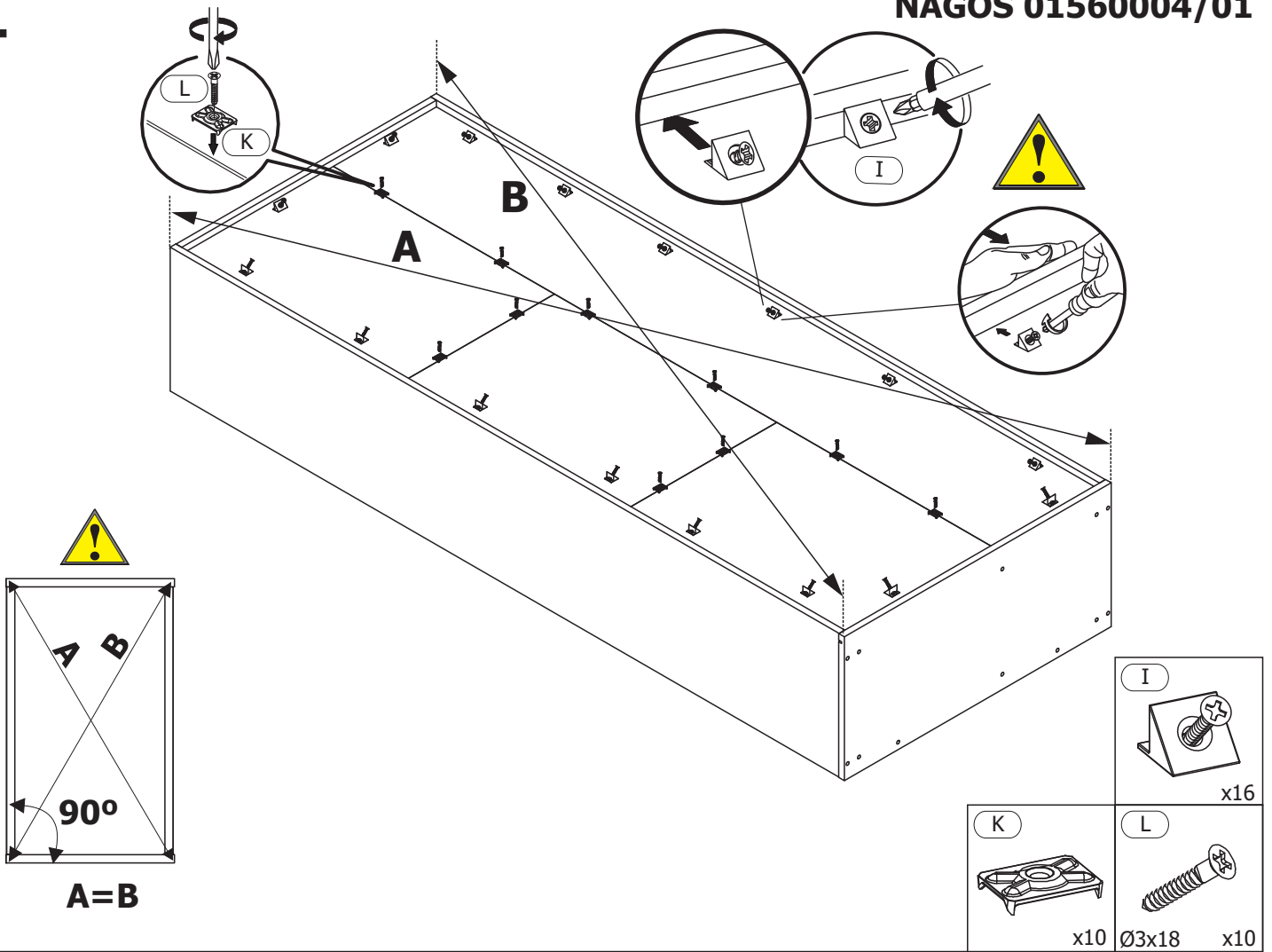
10



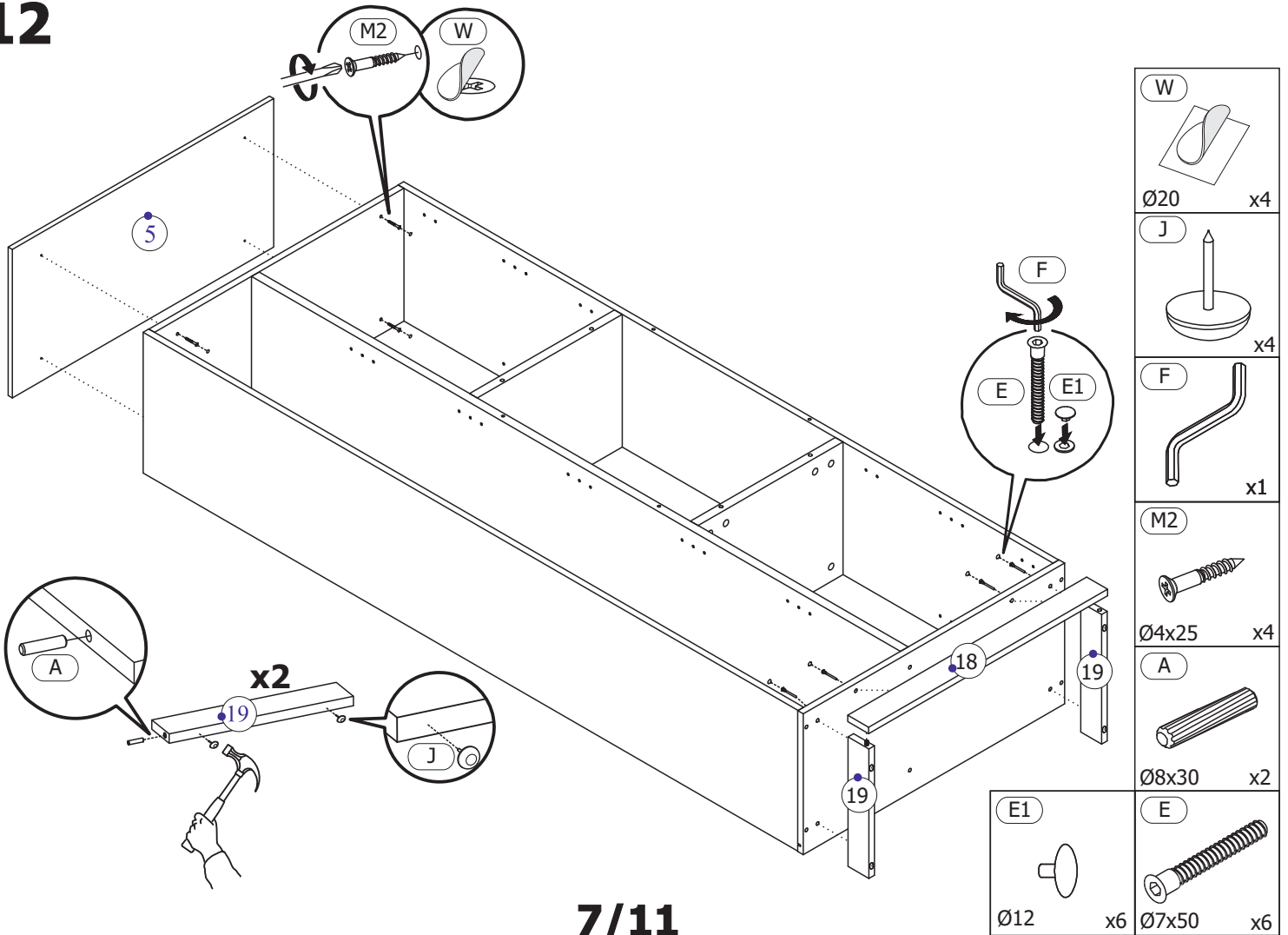
F  x1	C  Ø15x12 x2	E  Ø7x50 x2
--	---	--

# 11

# NAGOS 01560004/01

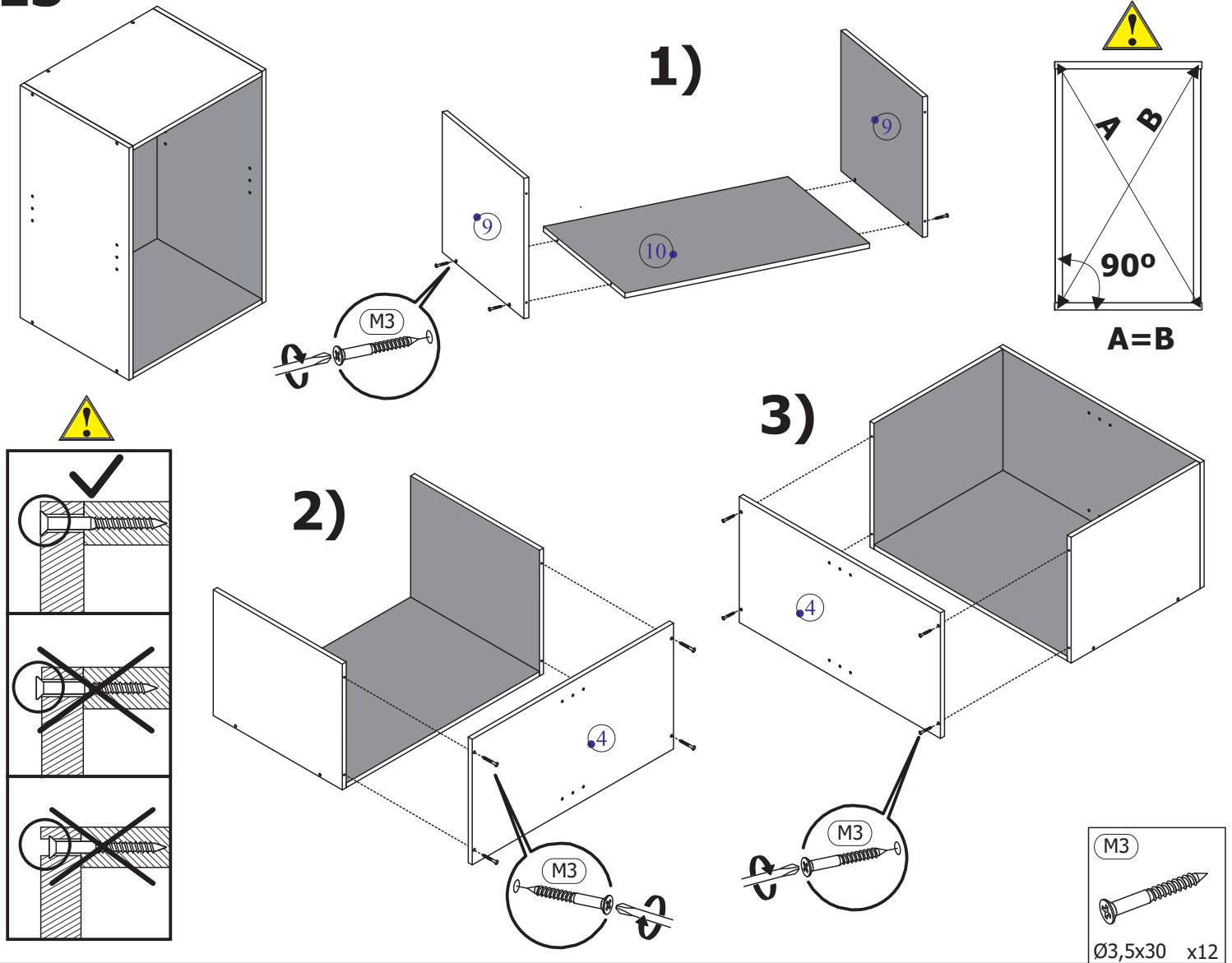


# 12

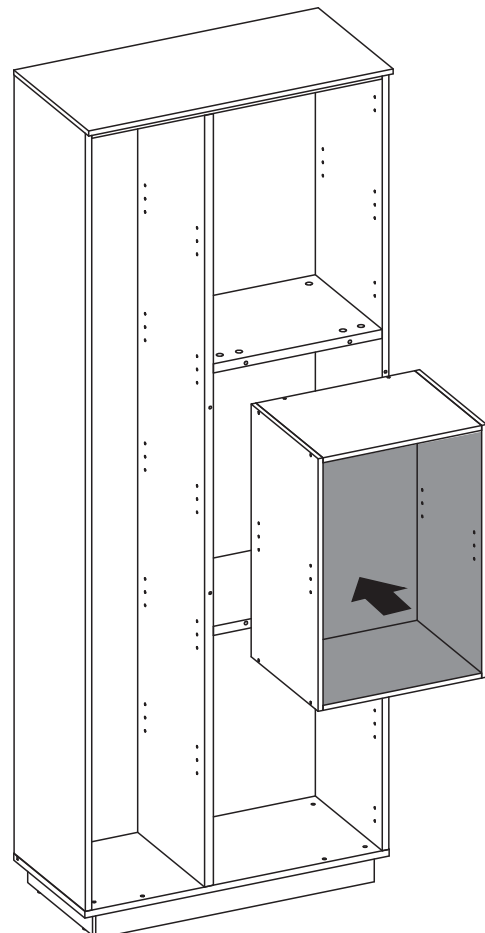


# 13

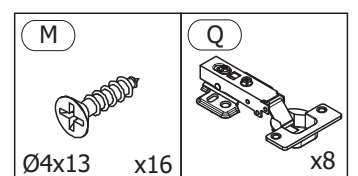
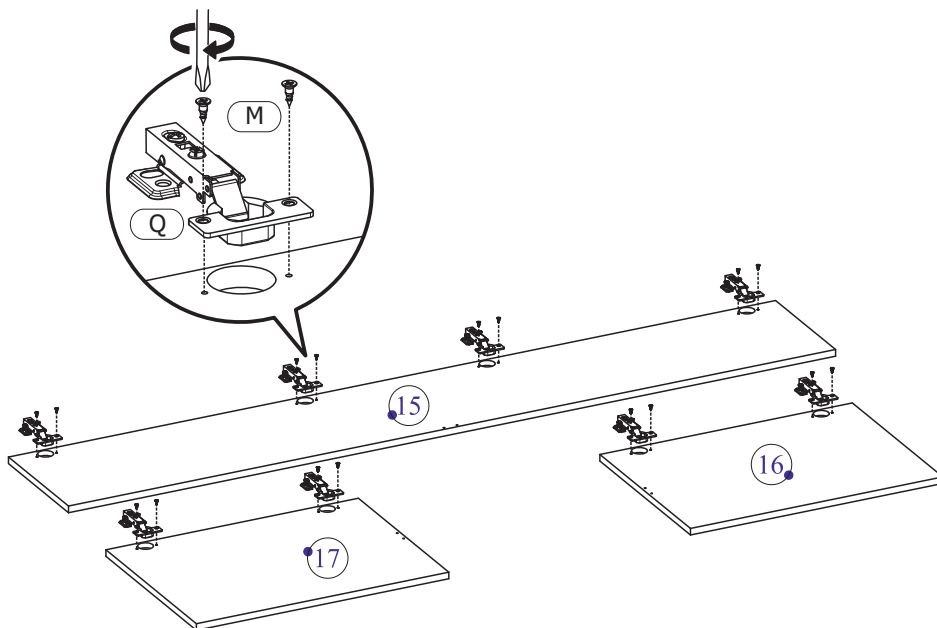
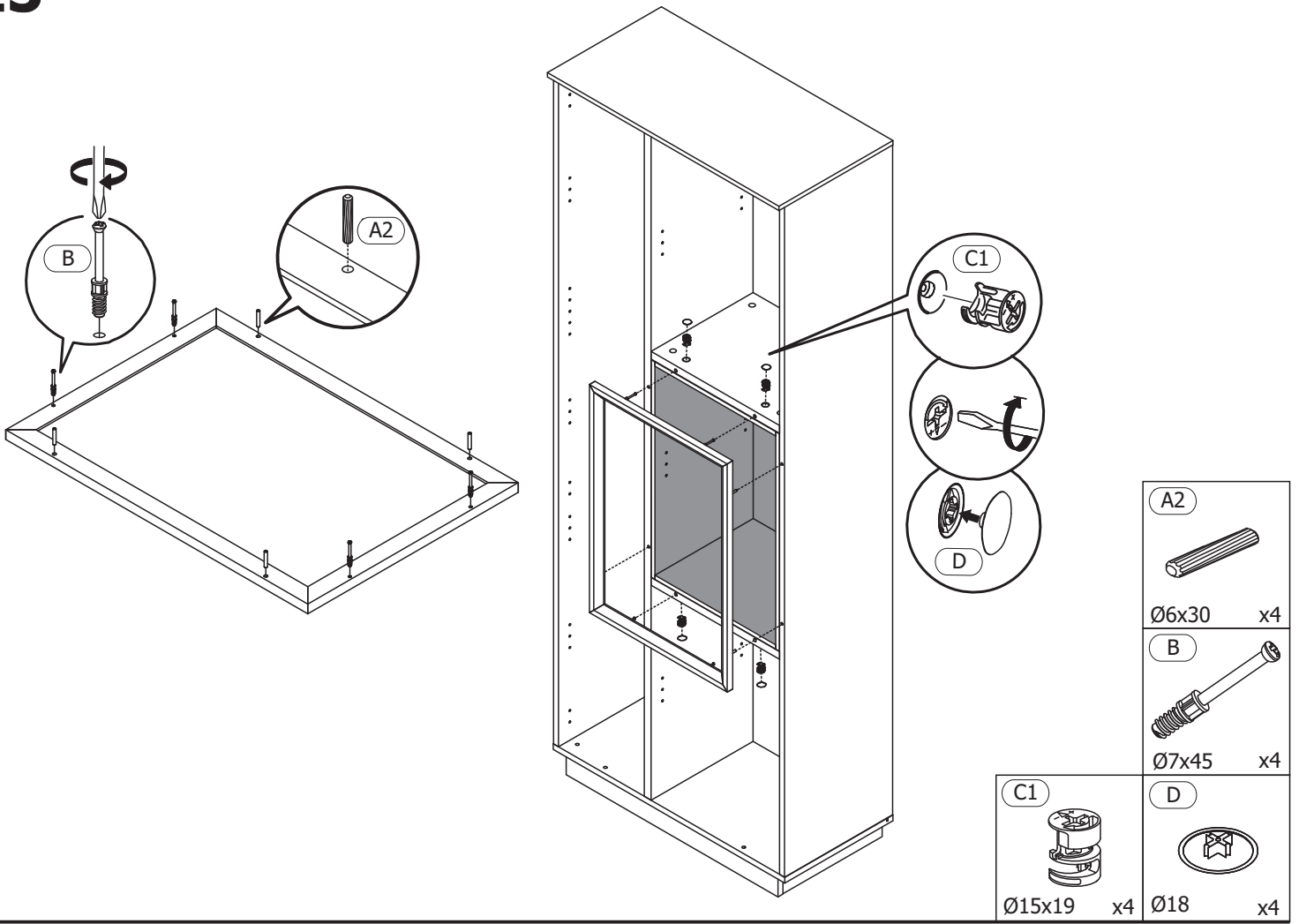
NAGOS 01560004/01

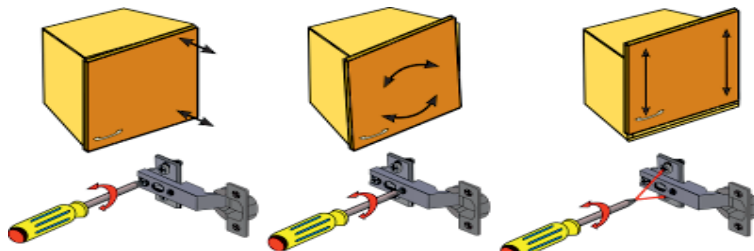
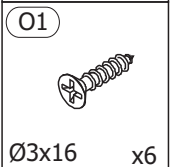
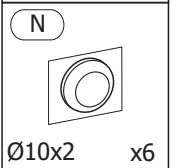
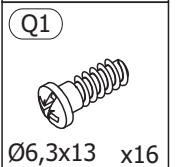
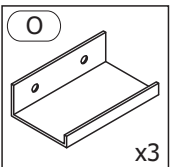
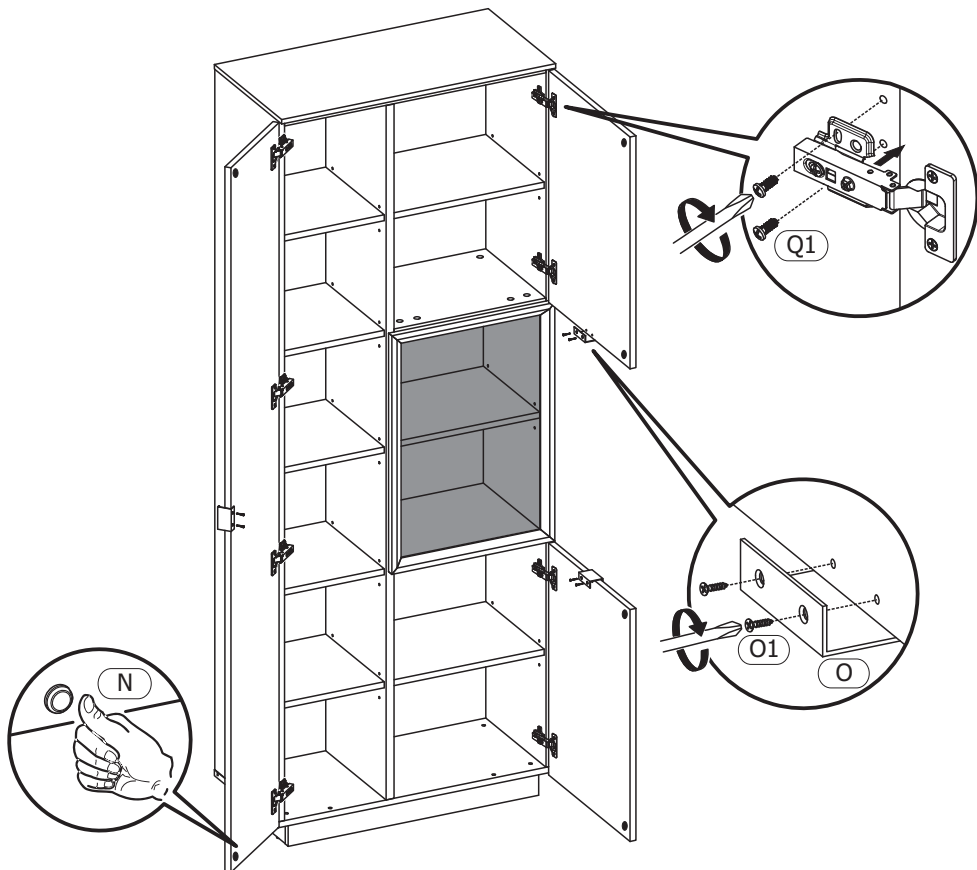
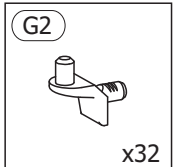
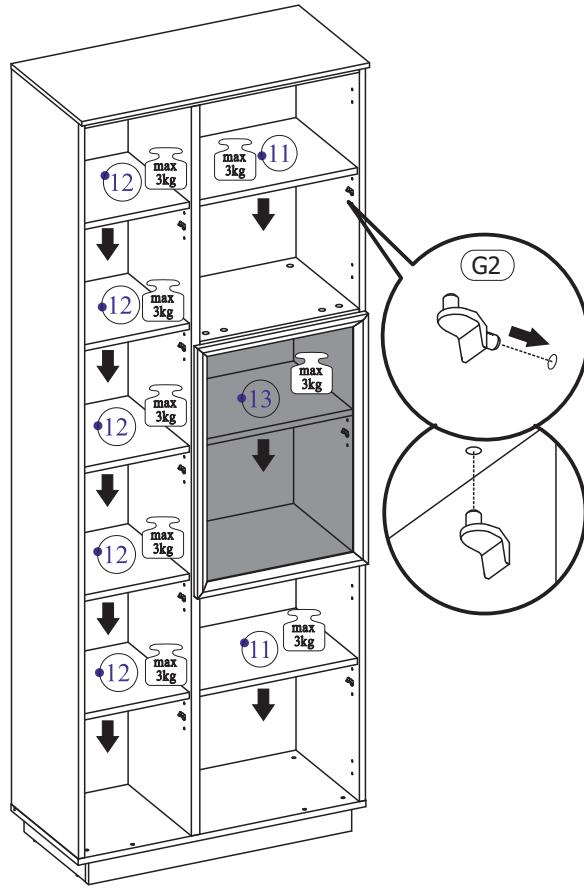


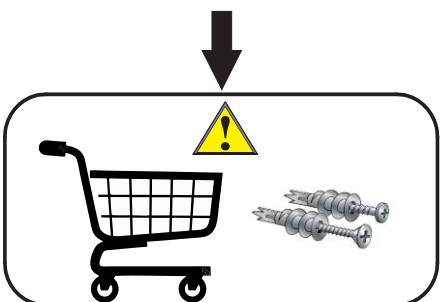
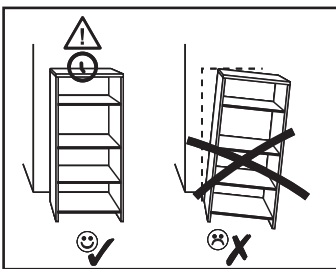
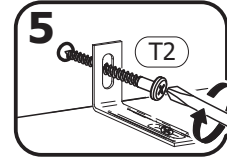
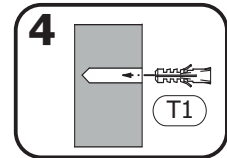
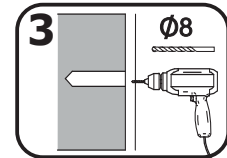
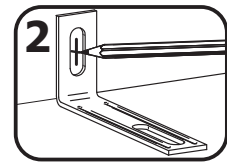
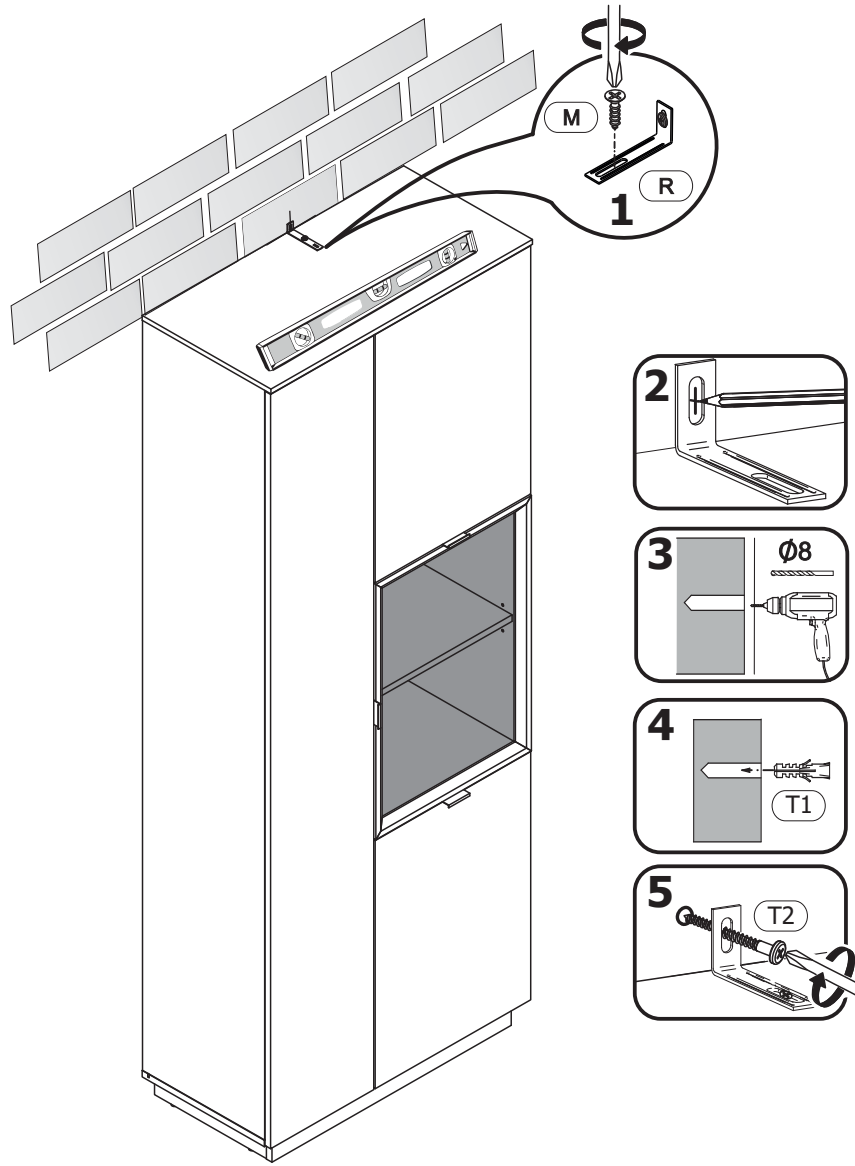
# 14

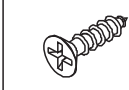
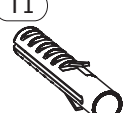
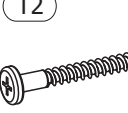











		 M Ø4x13 x1
 T1 Ø8x50 x1	 T2 Ø5.5x50 x1	 R x1