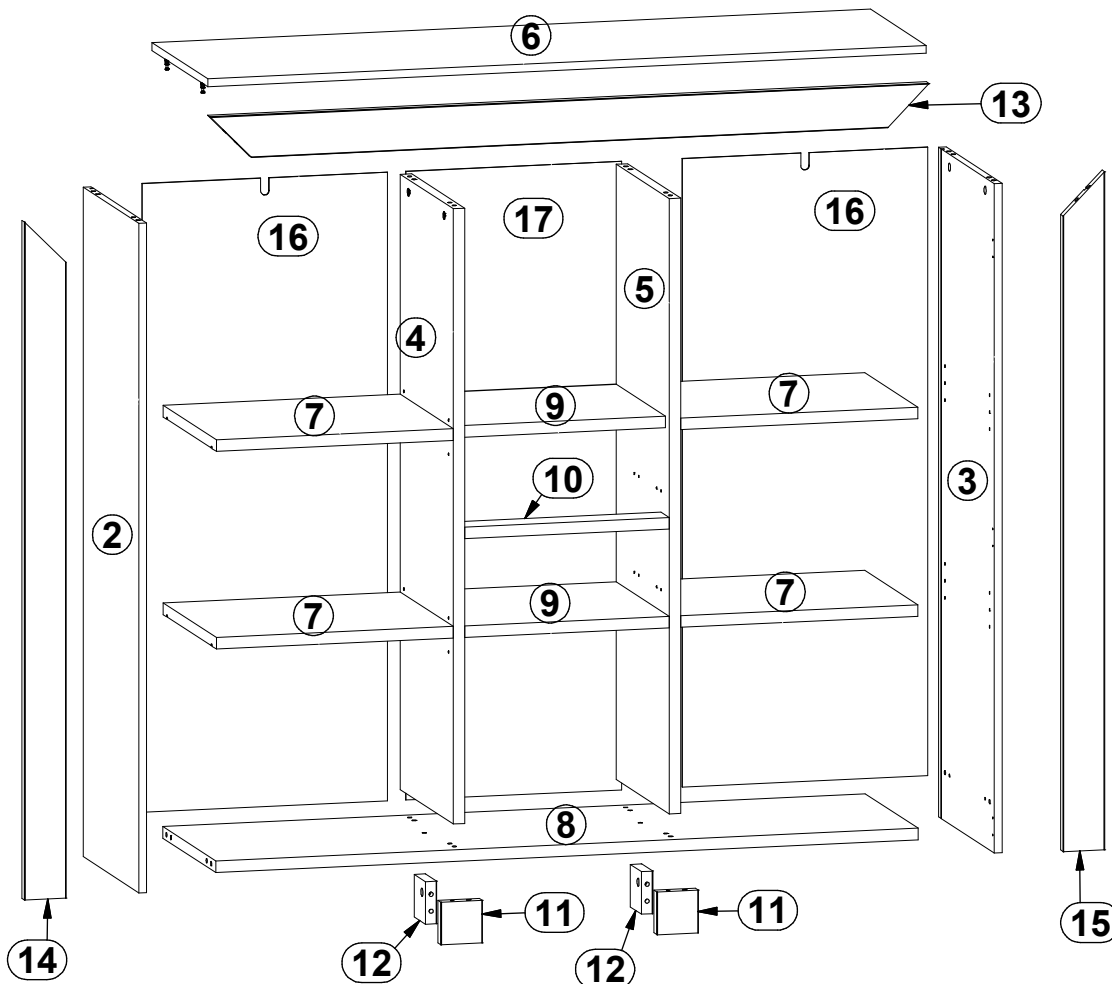
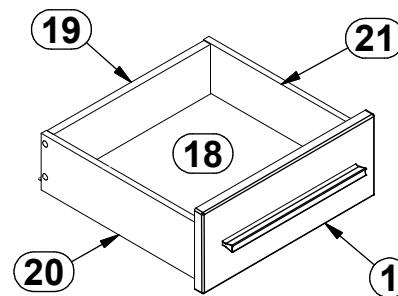
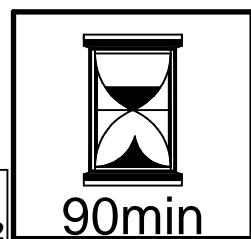




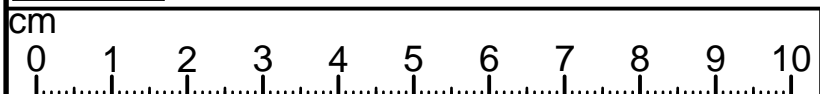
- 2x c344/2
- 9x d41/1
- 16x d1  
Ø5x17 mm
- 16x e3  
Ø6x13 mm
- 6x e8  
Ø7x60 mm
- 8x f25  
Ø6,5x40 mm
- 34x f1  
Ø8x30 mm
- 12x n108  
20x13x3,5/1
- 8x k1
- 16x p55  
Ø2,9x16 mm
- 10x l2
- 4x p78  
Ø3,5x30 mm
- 54x p38  
Ø3,5x16 mm
- 2x r10
- 14x r3  
Ø15x15 mm #22
- 30x r42  
20/11
- 12x r1  
Ø15x12 mm #16
- 2x W117/P  
350 mm
- 8x r15  
Ø12x10,5 mm #12
- 1x z1  
4 mm
- 2x W117/L  
350 mm
- 8x s2  
Ø16



A	B	C1	C2	C3	D
1	L105-0008	387	158	19	2/3
2	L105-1010	1260	400	15	3/3
3	L105-1011	1260	400	15	3/3
4	L105-1012	1158	380	22	3/3
5	L105-1013	1158	380	22	3/3
6	L105-2003	1380	400	15	2/3
7	L105-3011	455	380	22	1/3
8	L105-3012	1349	380	22	2/3
9	L105-3013	393	380	22	1/3
10	L105-4002	393	60	22	2/3
11	L105-5010	80	80	22,	2/3
12	L105-5011	80	80	22,	2/3
13	L105-5012	1381	80	19	2/3
14	L105-5013	1276	80	19	2/3
15	L105-5014	1276	80	19	2/3
16	L105-9002	1183	471	2,5	3/3
17	L105-9003	1183	414,	2,5	3/3
18	WSP-9317	362	358	2,5	2/3
19	ZQ6-5110	352	97	15	2/3
20	ZQ6-519	350	110	12	2/3
21	ZQ6-520	350	110	12	2/3

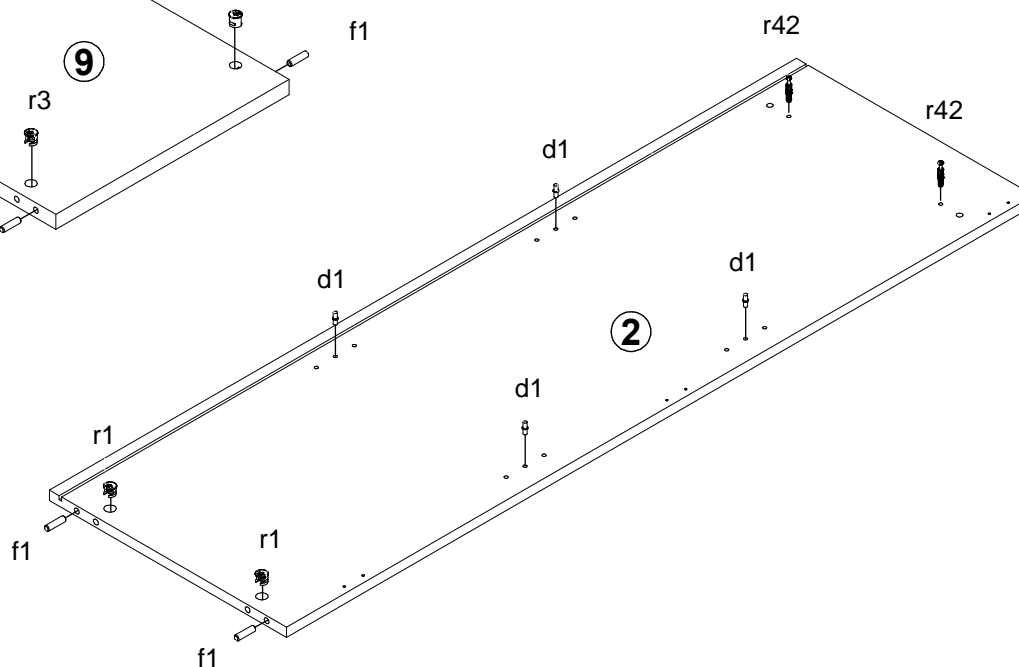
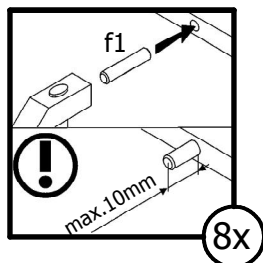
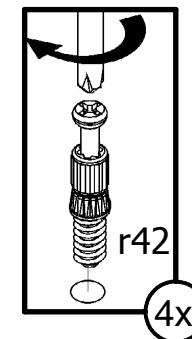
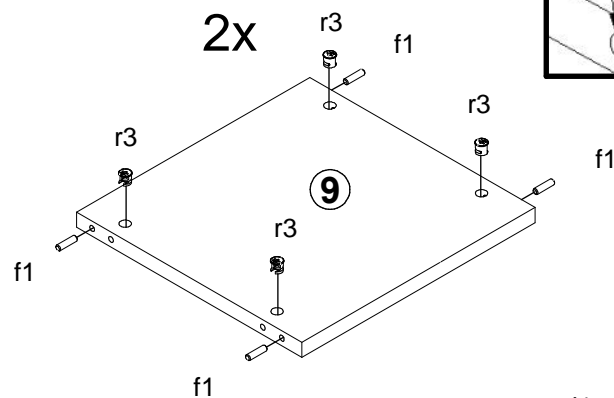
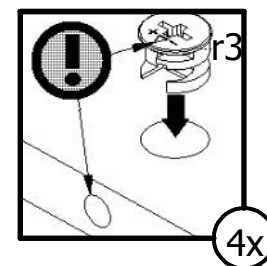
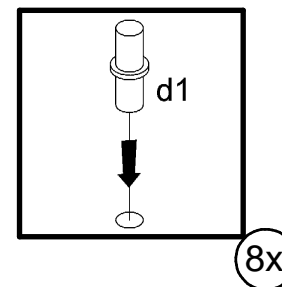
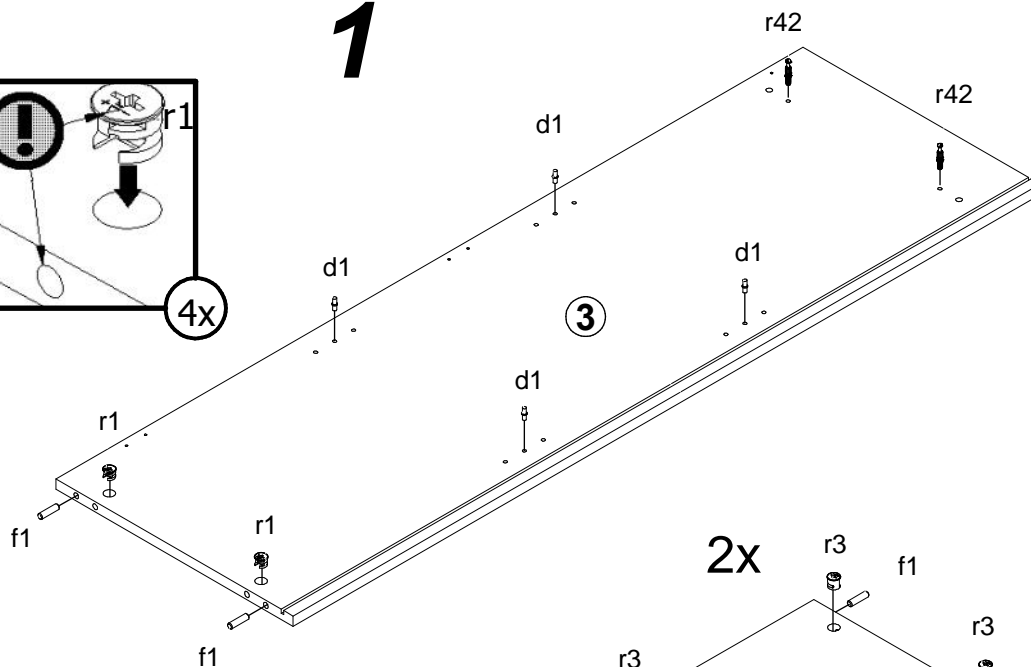
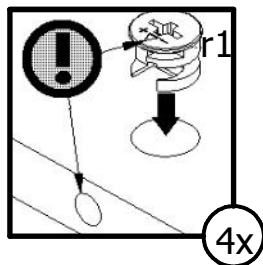


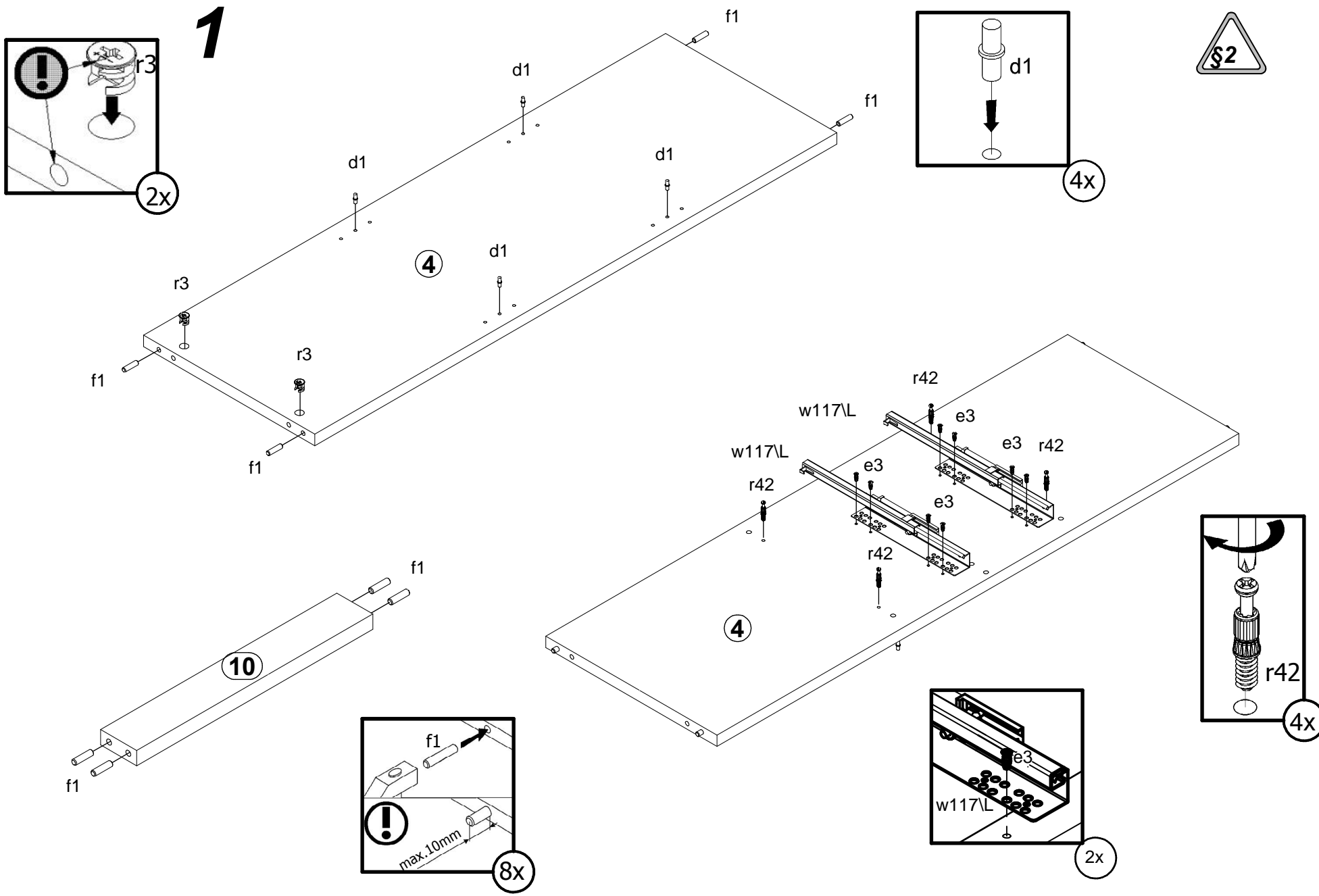
- 2x f35  
Ø10x50 mm
- 2x p17  
Ø5x60 mm
- 4x p38  
Ø3,5x16 mm
- 2x n14/2  
86x21x15/1,5



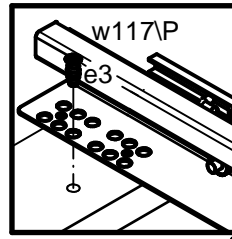
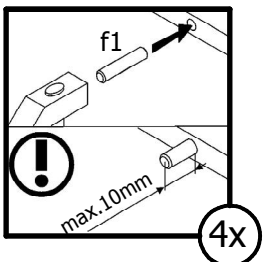
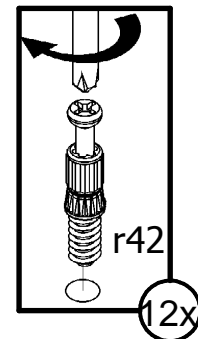
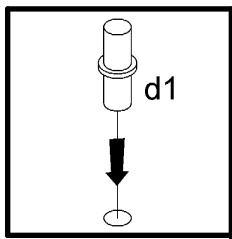
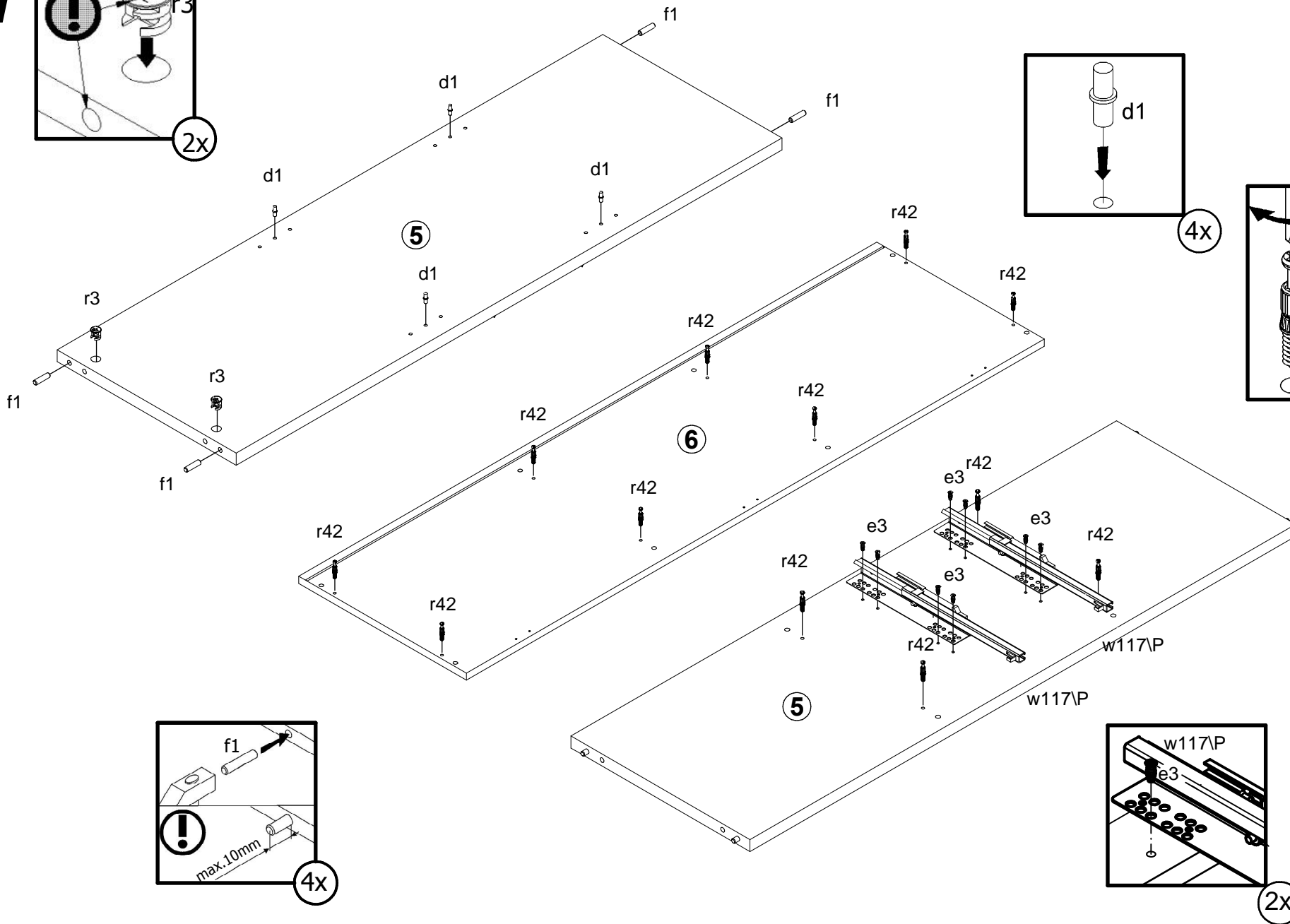
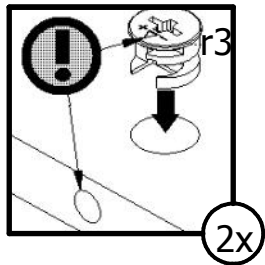


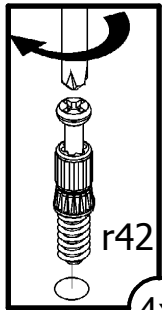
1



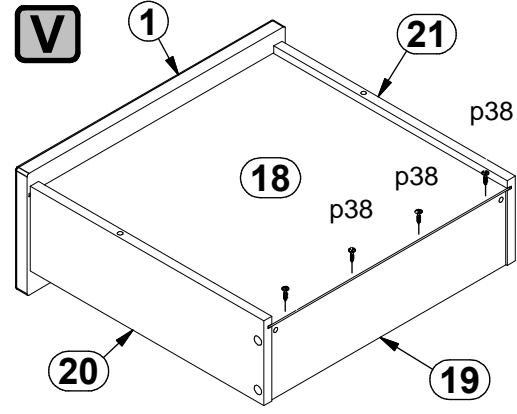
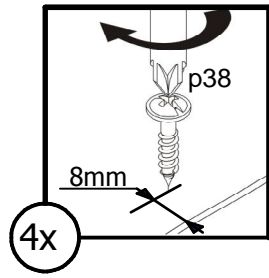
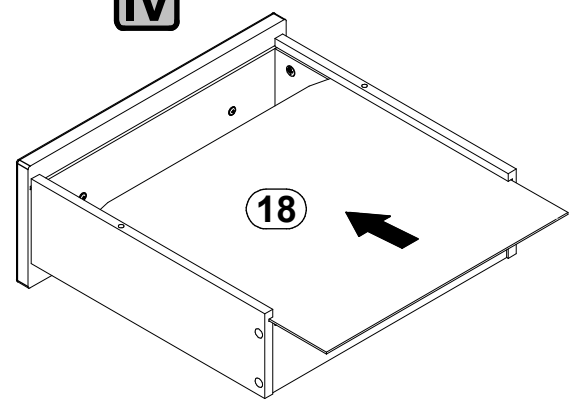
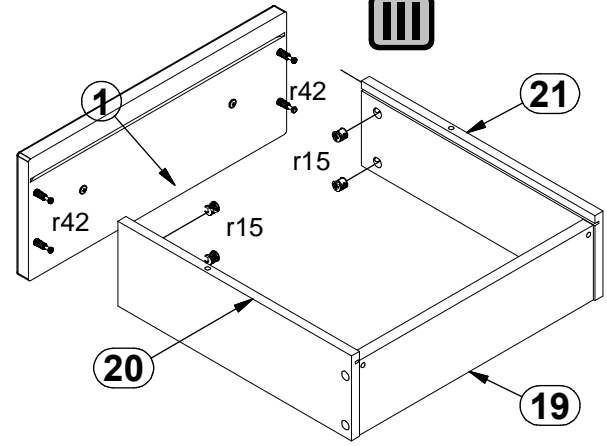
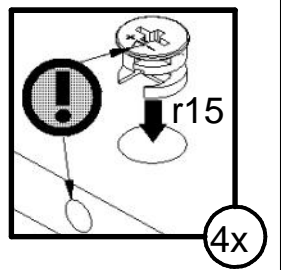
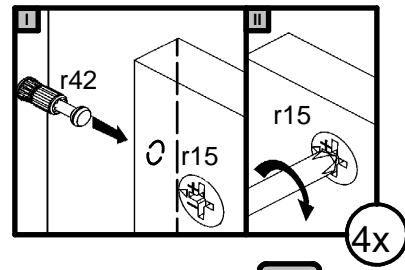
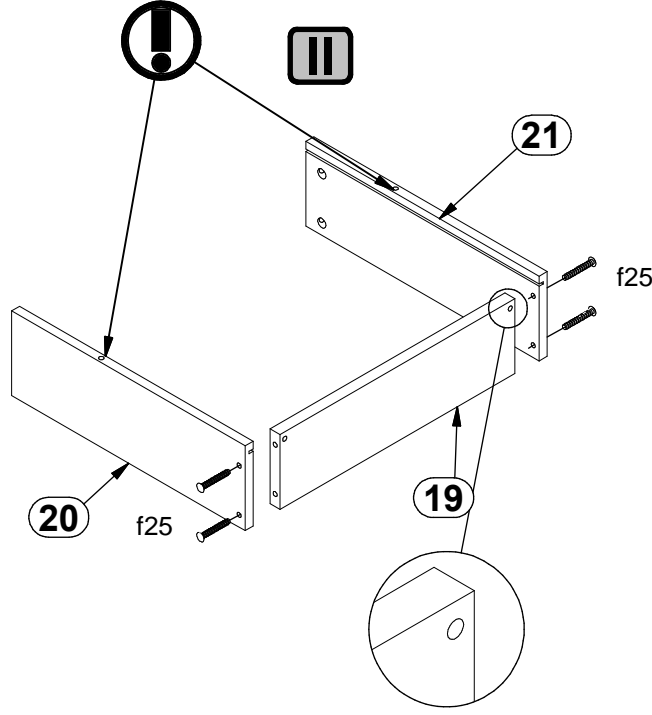
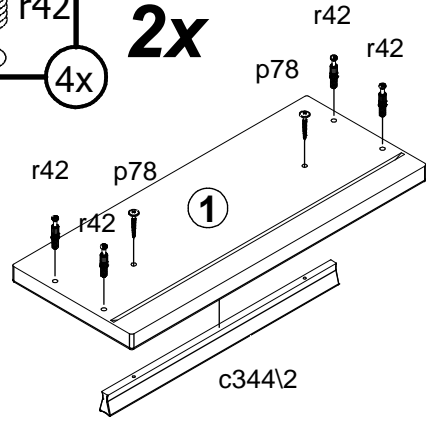


1



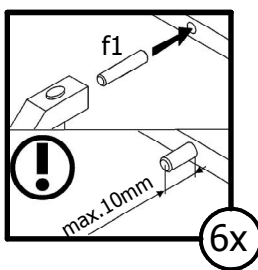
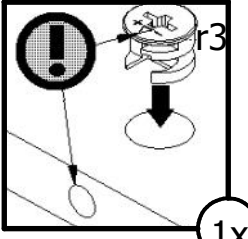
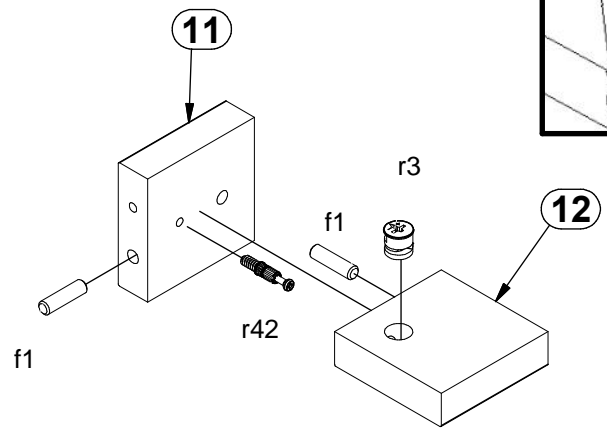


**2**  
**2x**

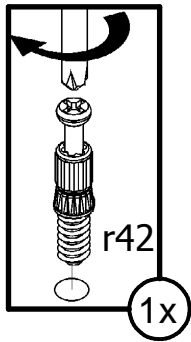
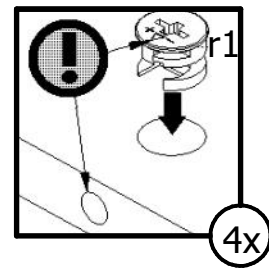
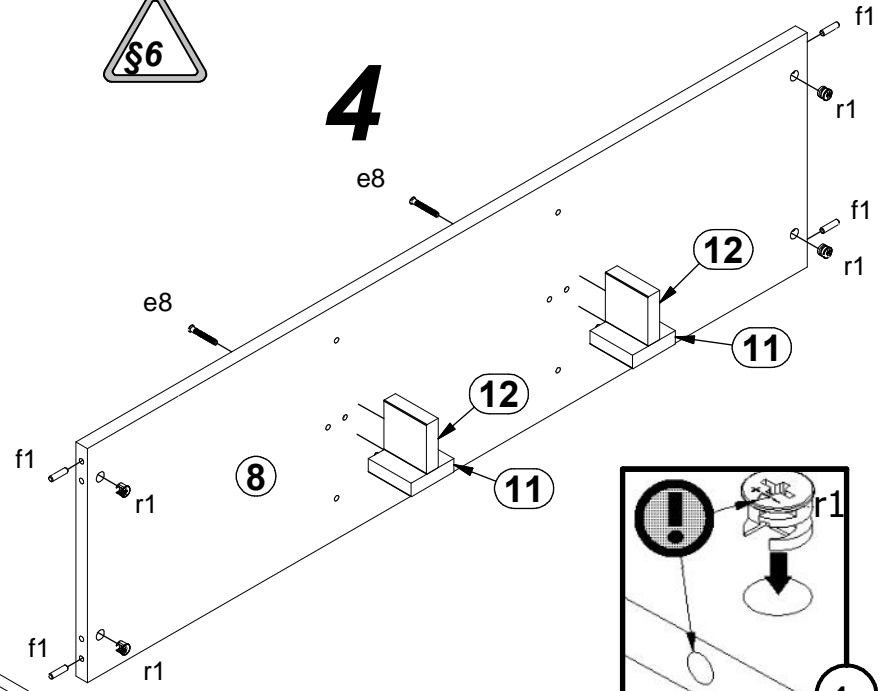


3

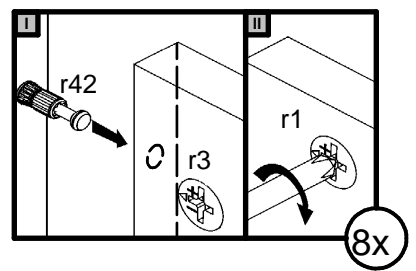
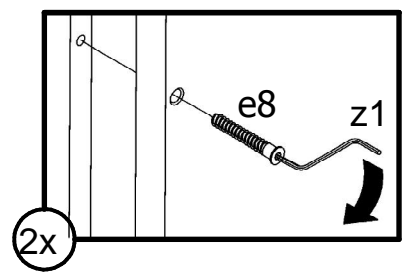
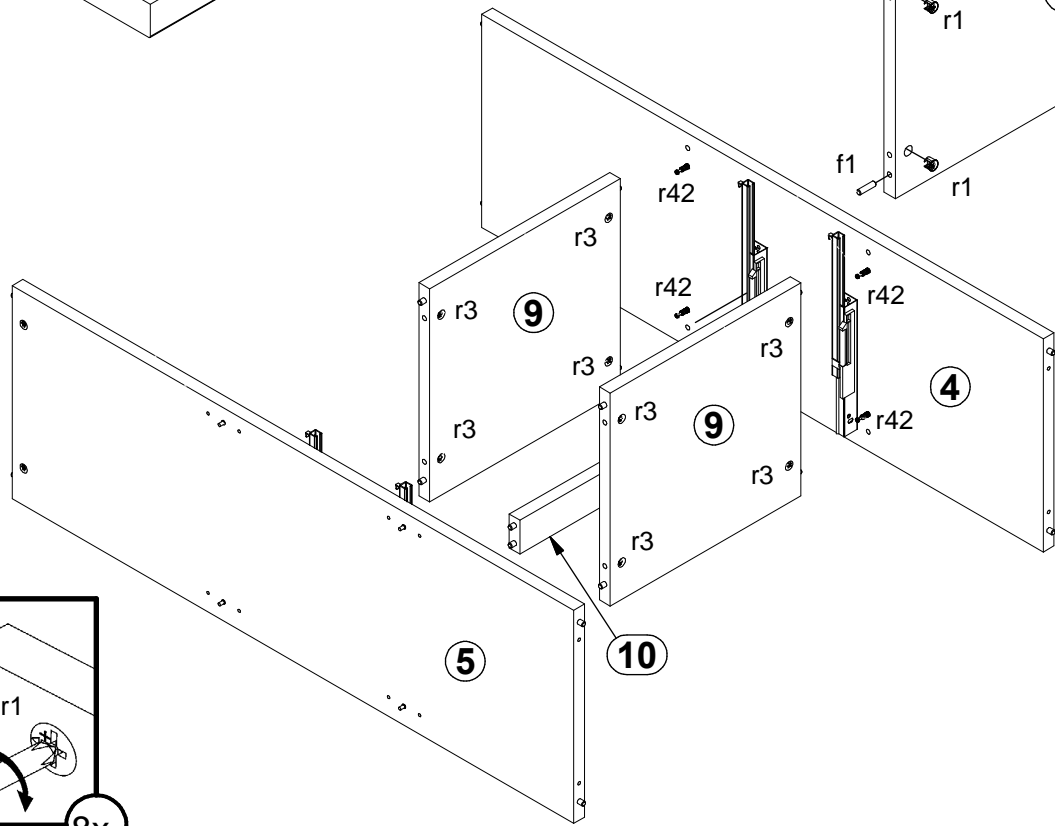
2x



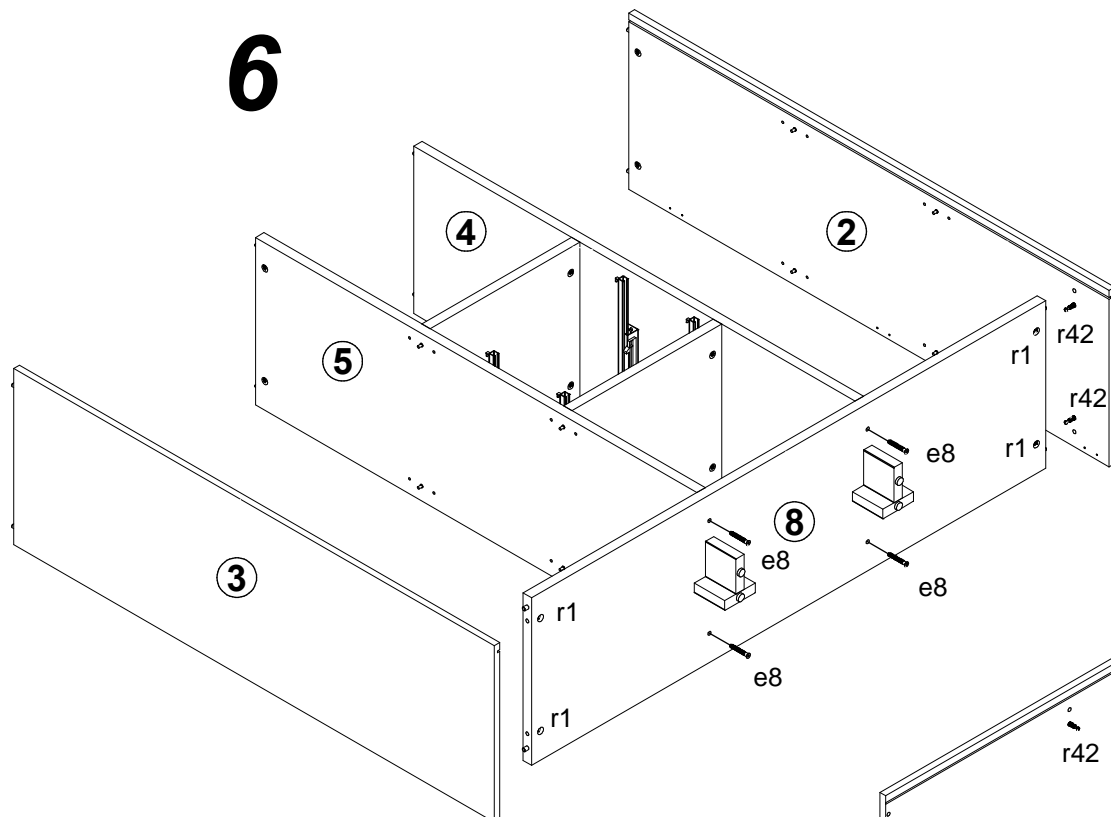
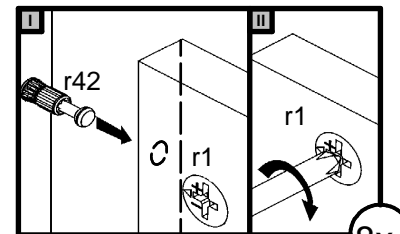
4



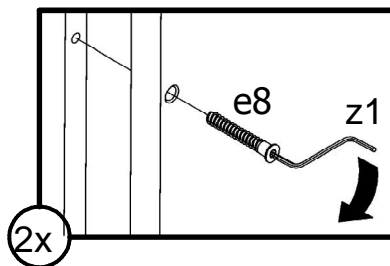
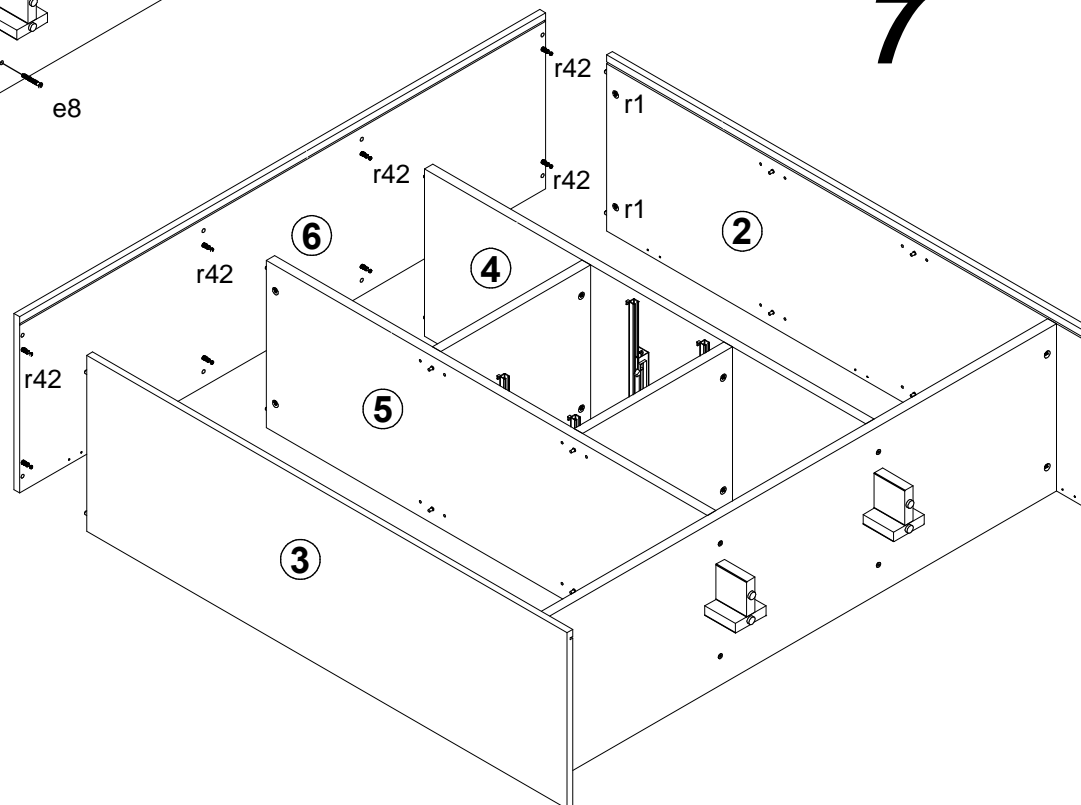
5



6

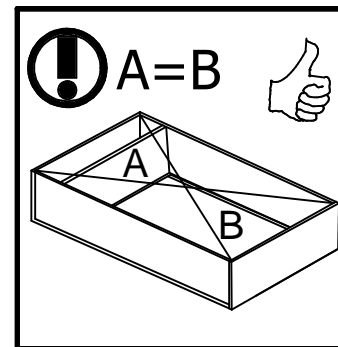
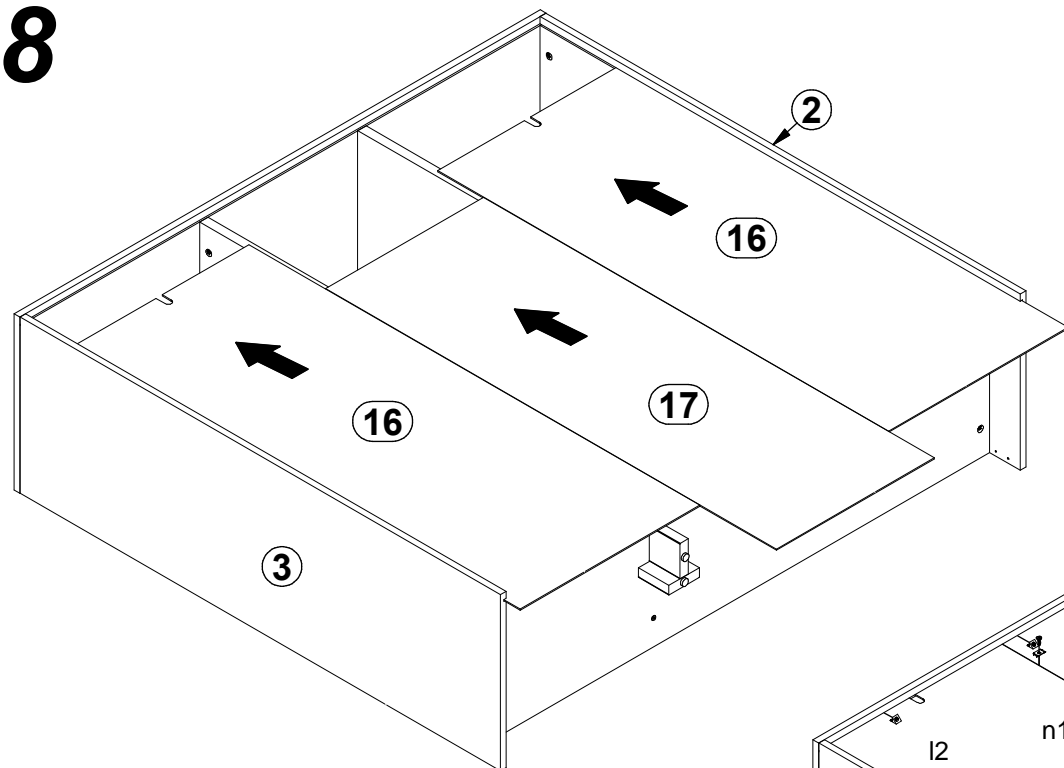


7

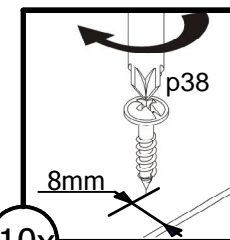




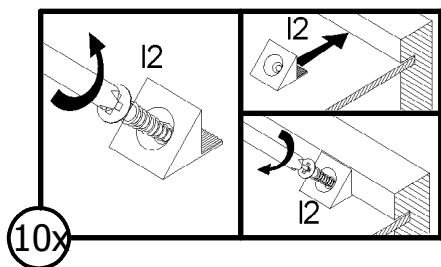
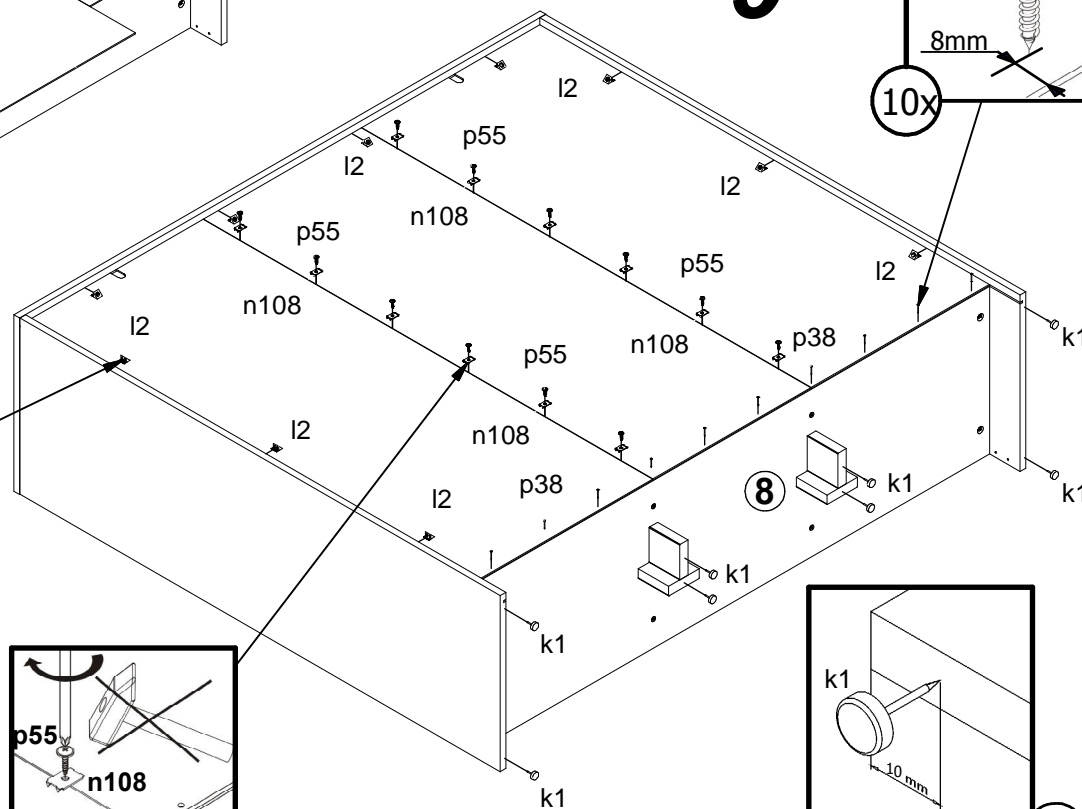
8



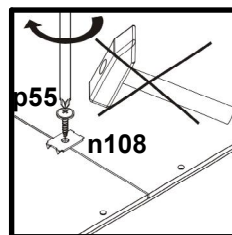
9



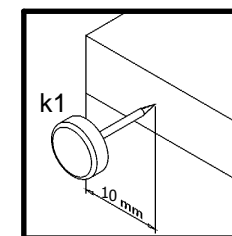
10x



10x

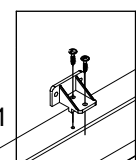
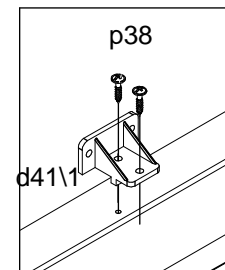
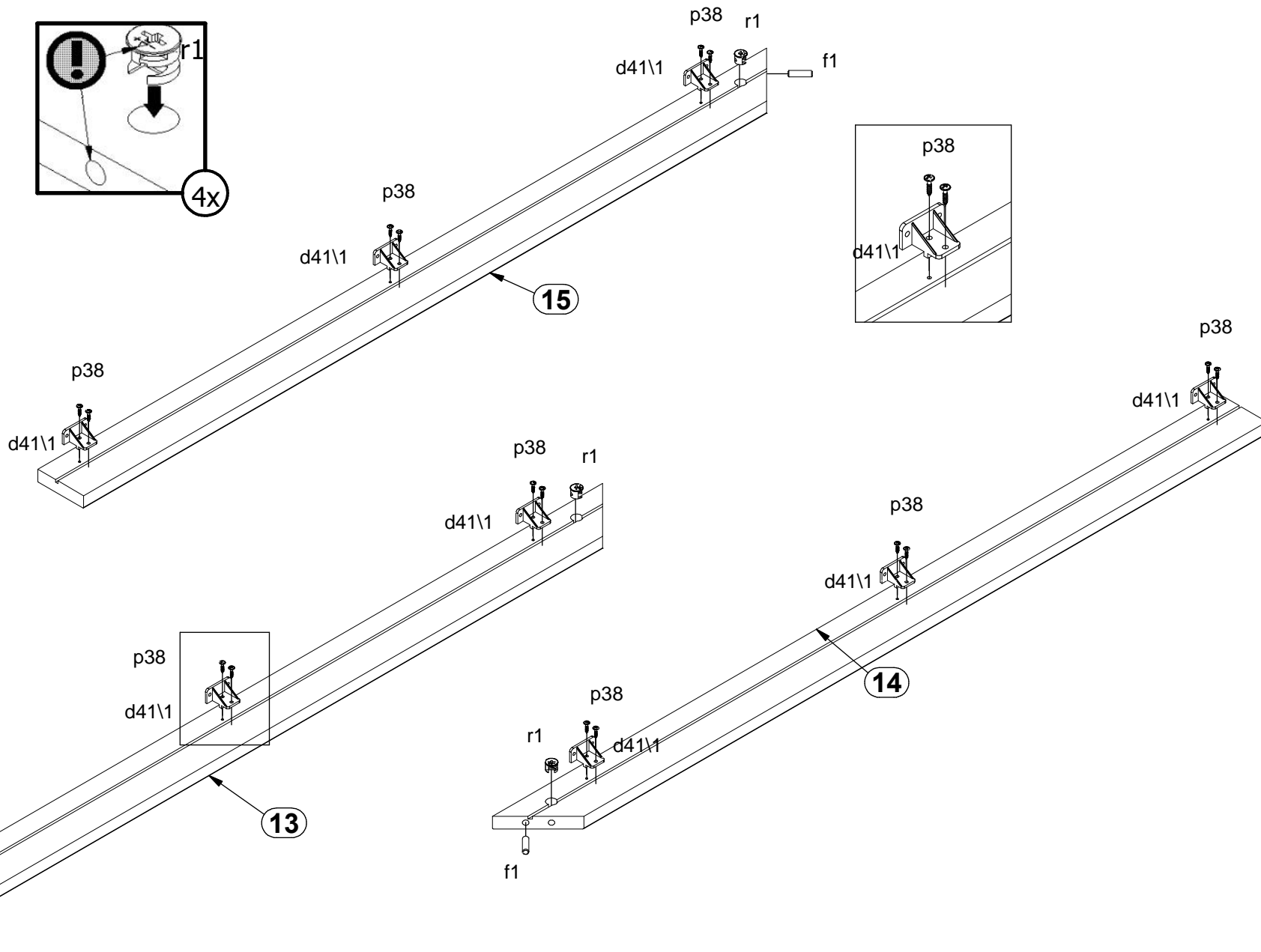
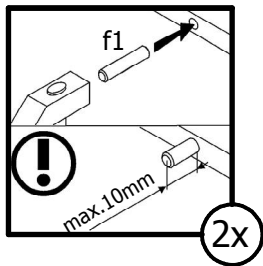
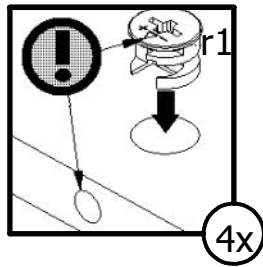


12x

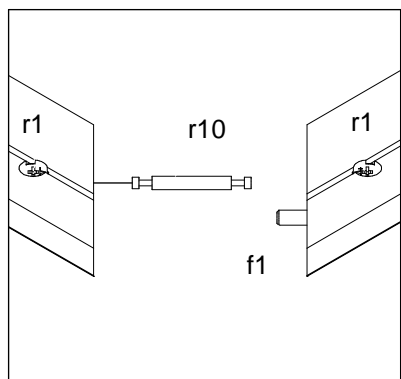
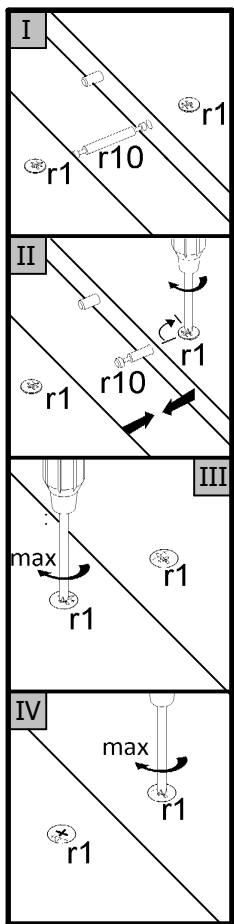
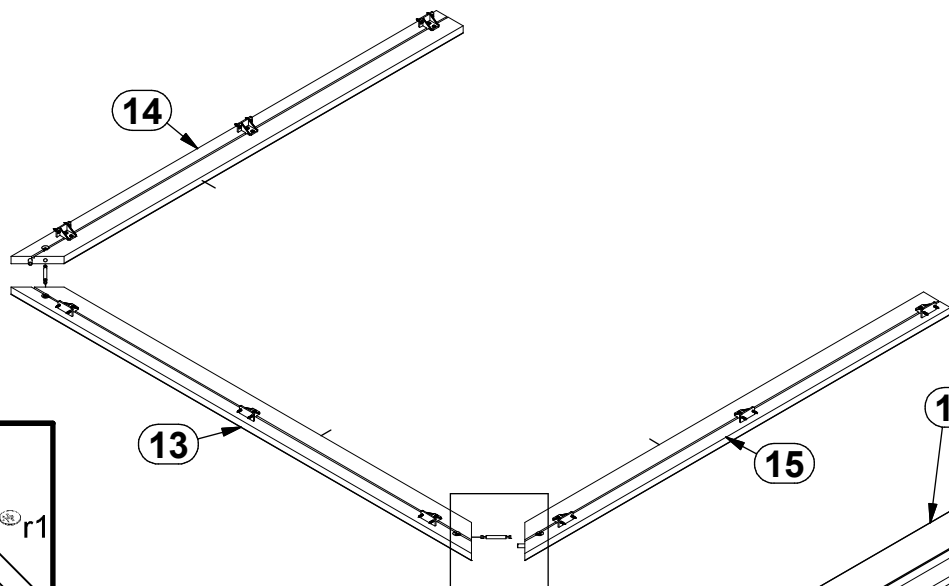


8x

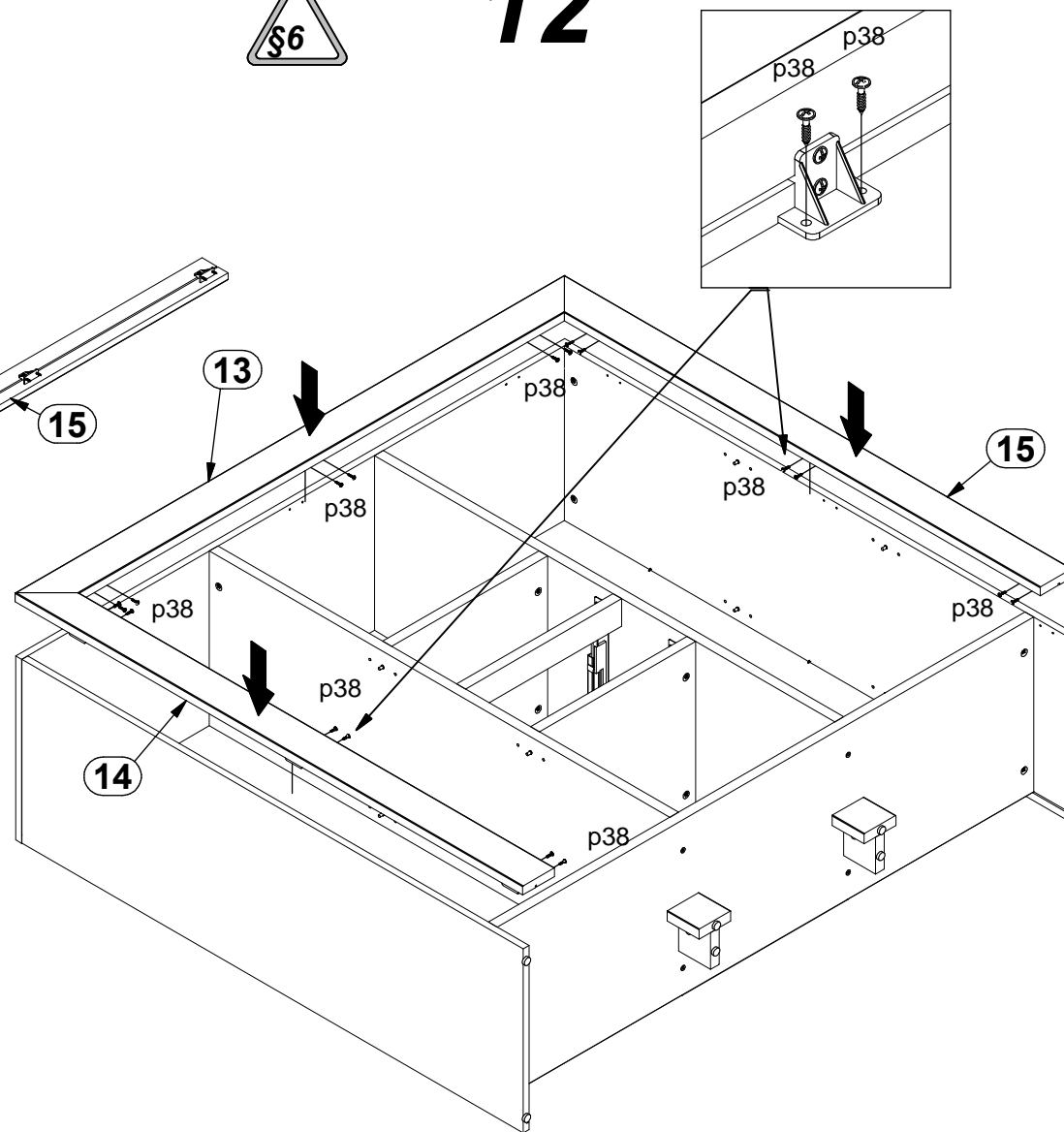
§2 10



# 11



# 12



# 13

