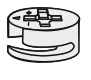
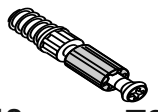

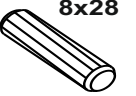
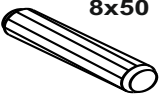




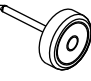


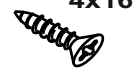


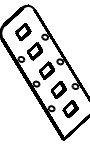
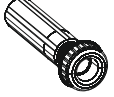


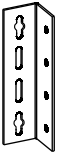


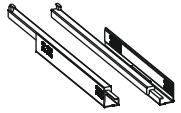
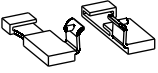



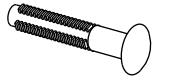
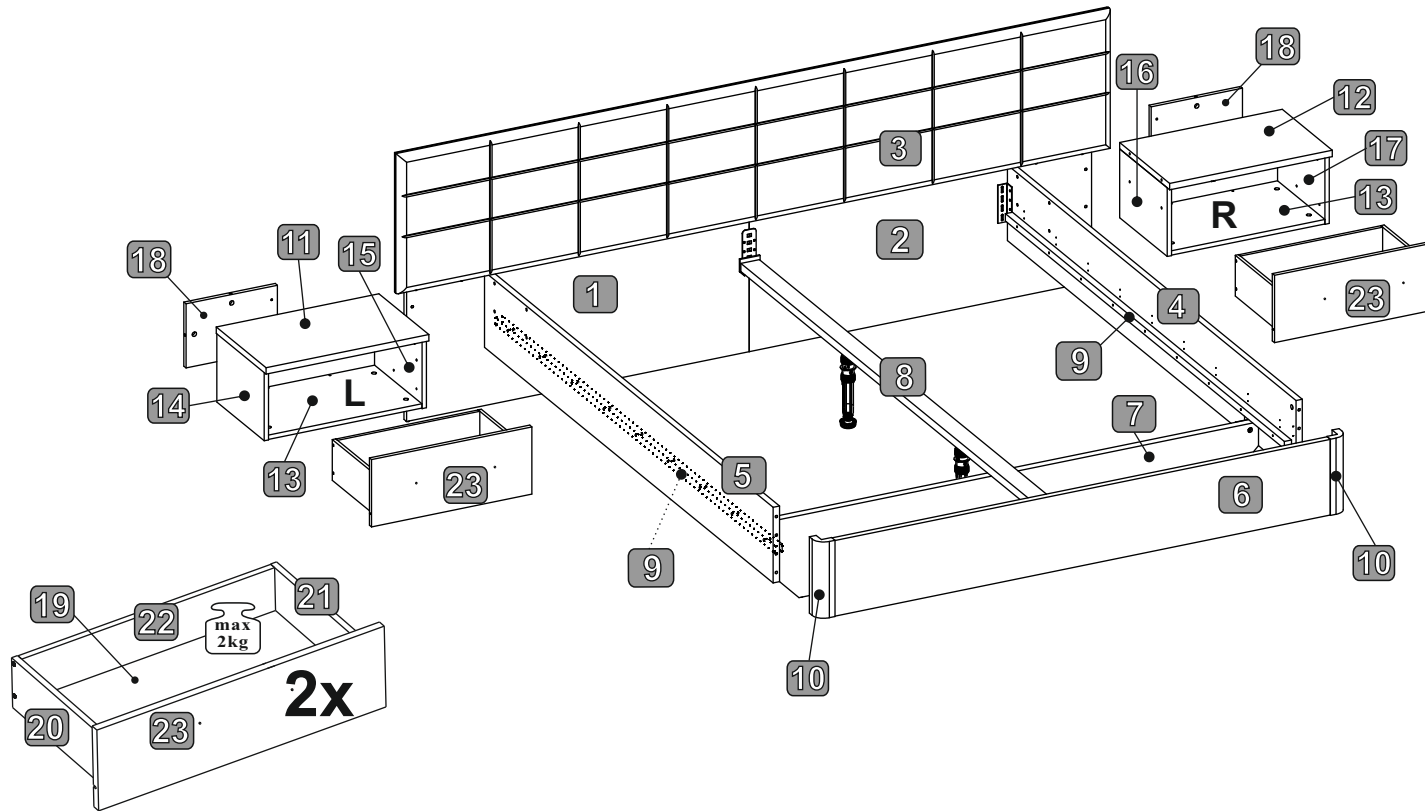
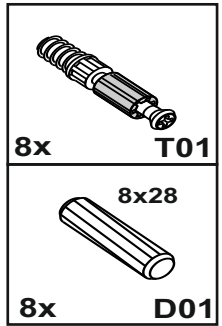
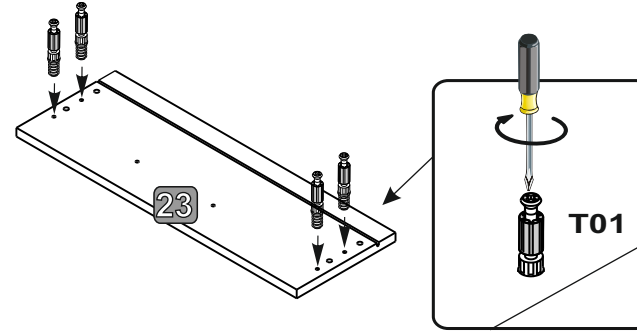
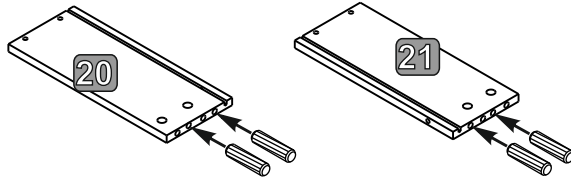
 40x T02	 8x T12	 40x T01	 4x T03	 35x D01	 2x D03	 12x W70	 8x C01	 8x W36	 1x K01
 6x S01	 4x G10	 12x W15	 16x W25	 18x W28	 2x L02	 2x L02	 2x NOG	 4x REG	 16x W37
 2x L03	 4x K80	 48x W26	 2x L+P P05	 2x L+P B12	 8x W12	 2x U24	 4x W05	 8x D02	



NR	DIM	QTE	COLLI
1	1200x890x18	1	4/5
2	1200x890x18	1	4/5
3	2500x480x50	1	5/5
4	2023x260x22	1	2/5
5	2023x260x22	1	2/5
6	1736x260x22	1	3/5
7	1810x282x28	1	3/5
8	2046x65x28	1	2/5
9	1956x25x25	2	2/5
10	262x60x60	2	2/5
11	570x350x22	1	1/5
12	570x350x22	1	1/5
13	538x332x15	2	1/5
14	236x333x15	1	1/5
15	236x333x15	1	1/5
16	236x333x15	1	1/5
17	236x333x15	1	1/5
18	220x320x15	2	1/5
19	509x300x2	2	1/5
20	300x140x12	2	1/5
21	300x140x12	2	1/5
22	498x140x12	2	1/5
23	562x231x15	2	1/5

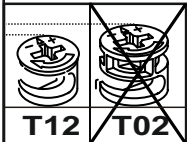
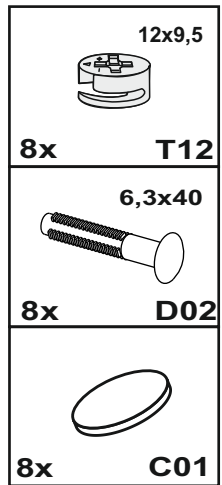
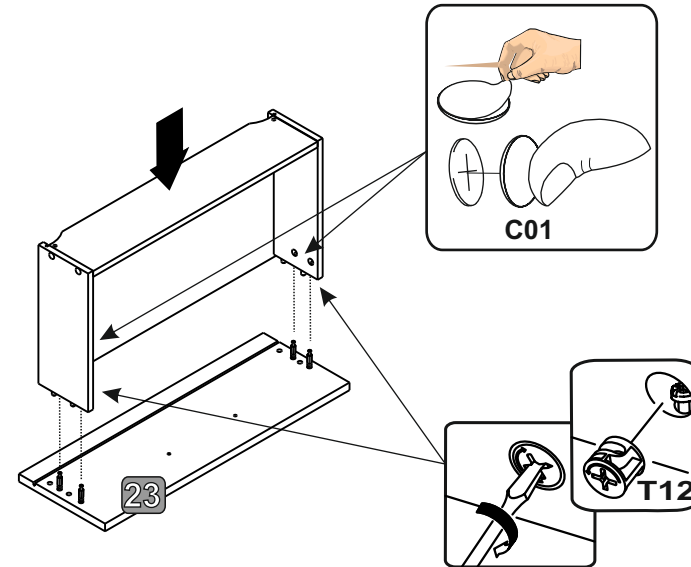
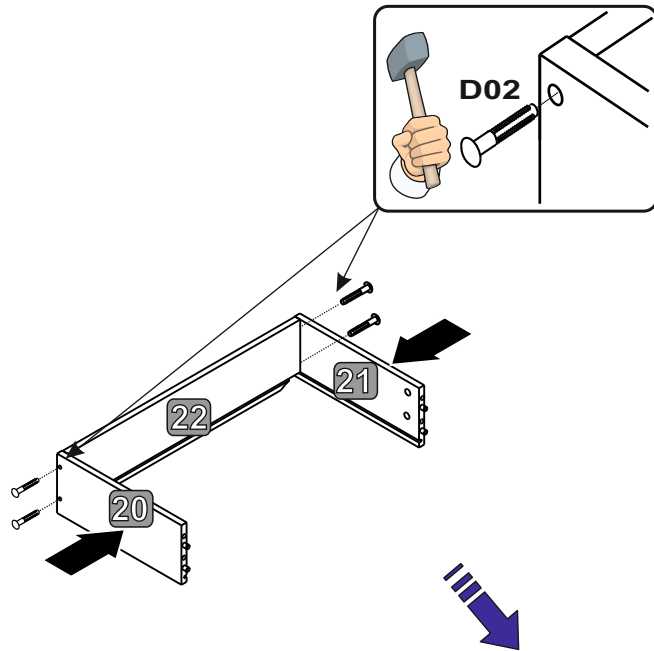
1

2x



2

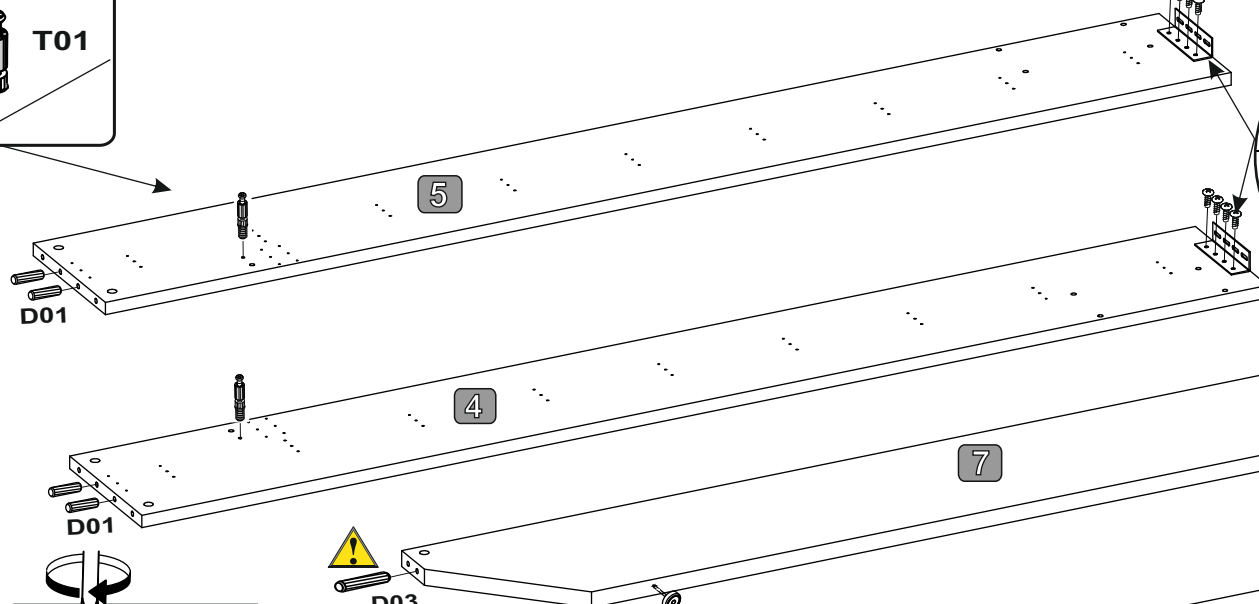
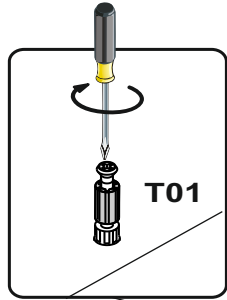
2x



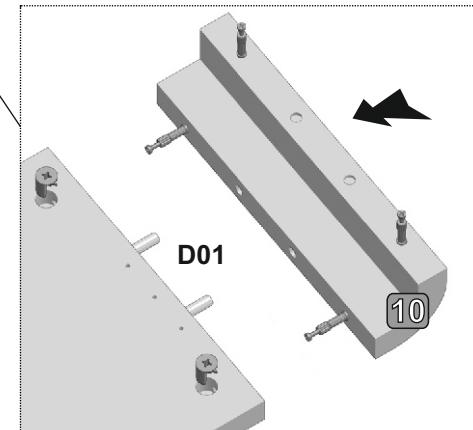
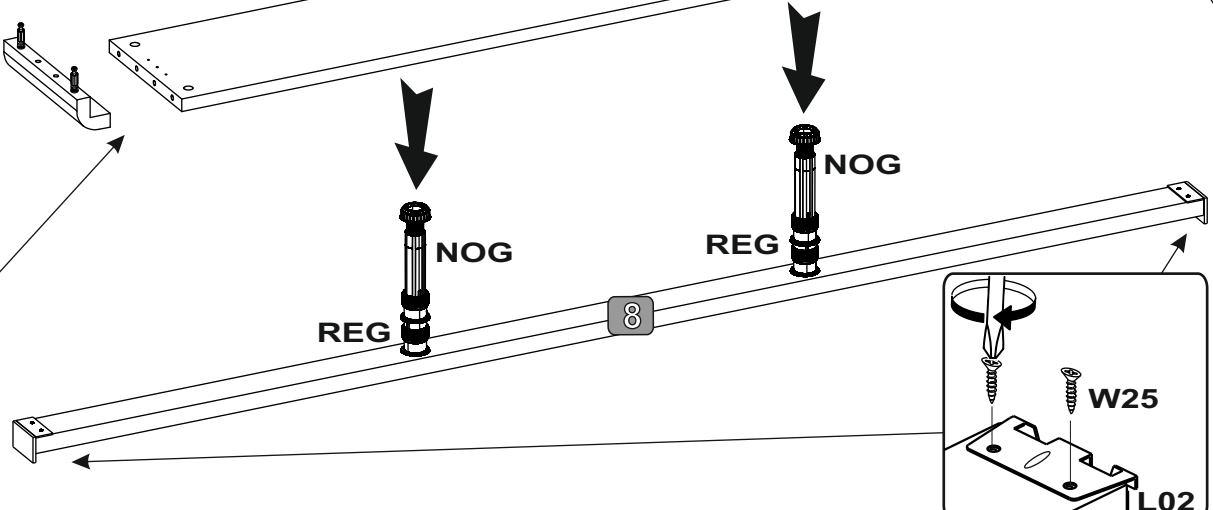
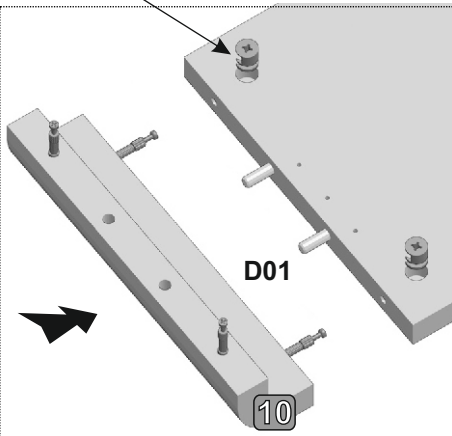
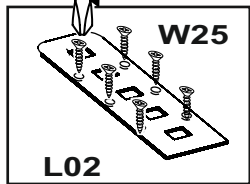
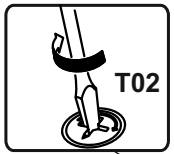
T12

T02

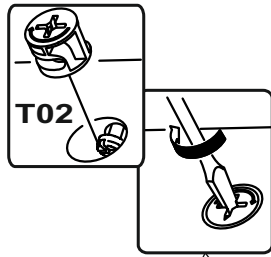
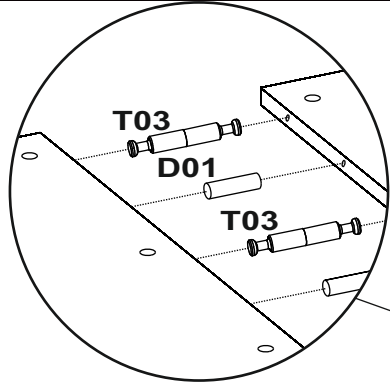
3



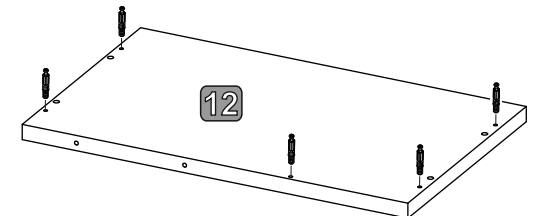
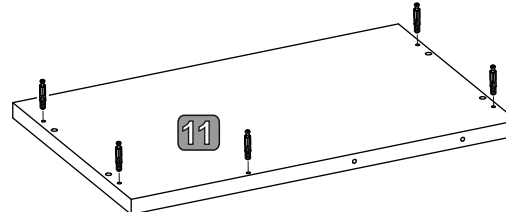
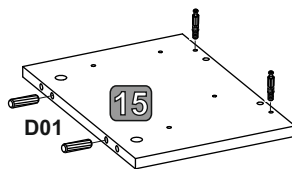
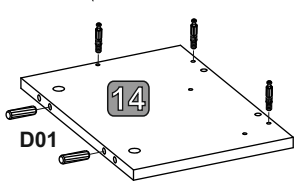
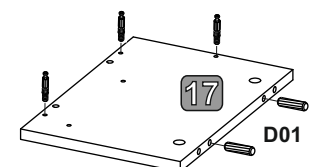
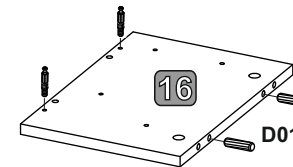
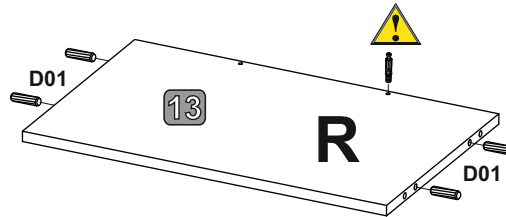
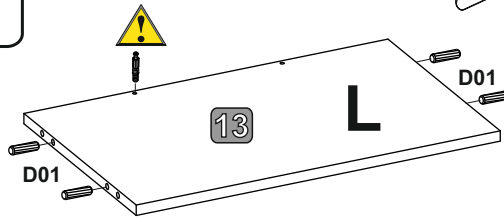
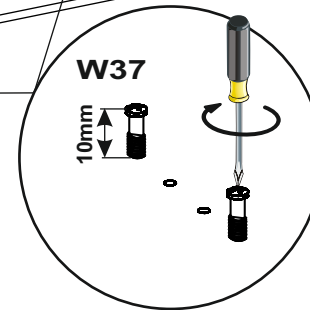
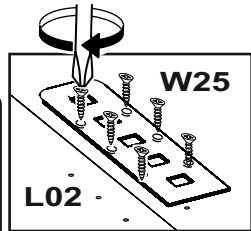
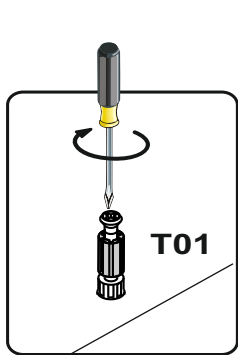
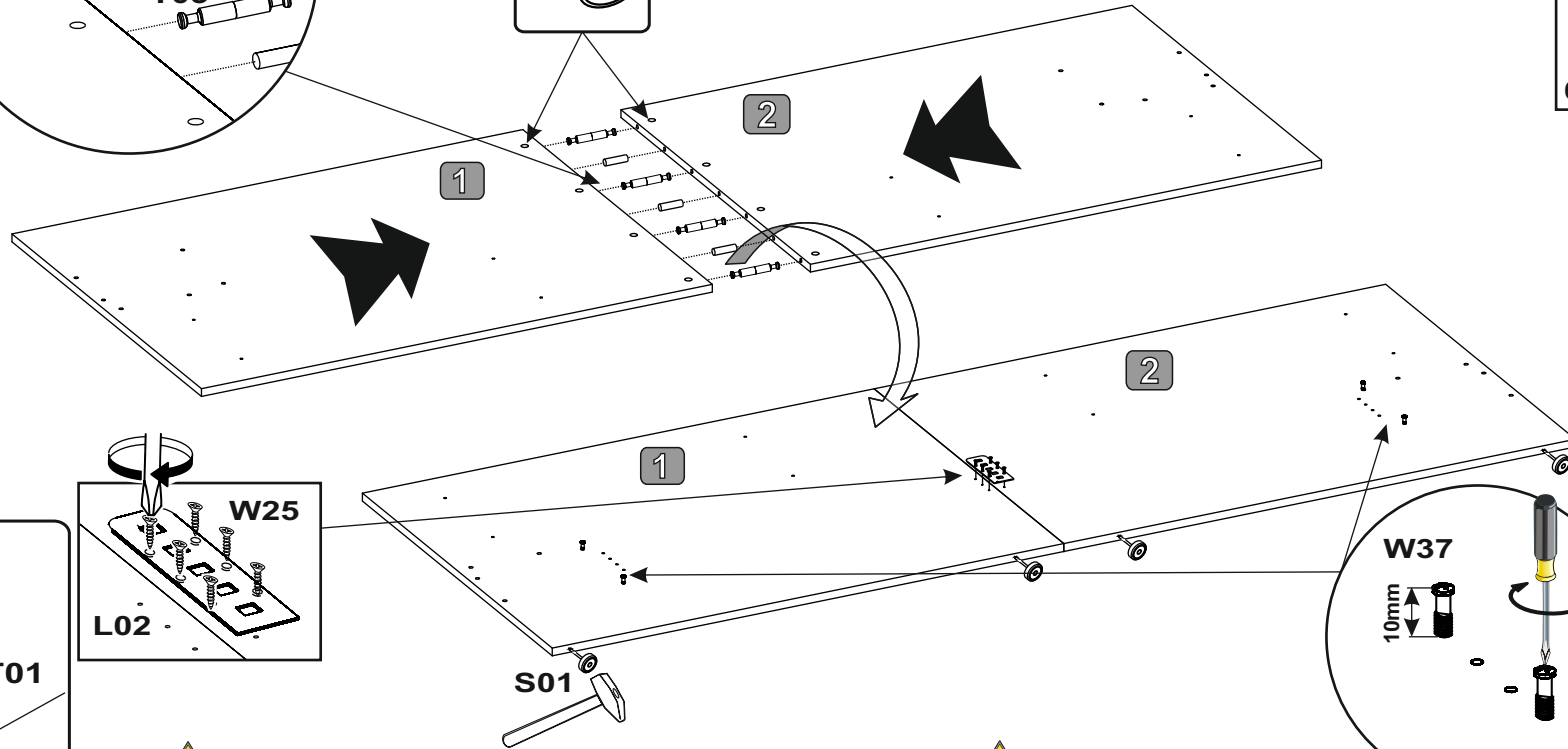
2x L02	4x T02	2x NOG	8x W37
10x T01	4x REG	1x L02	2x D03
10x W25	2x L03	2x S01	8x D01



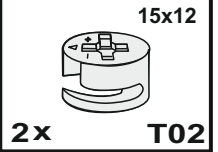
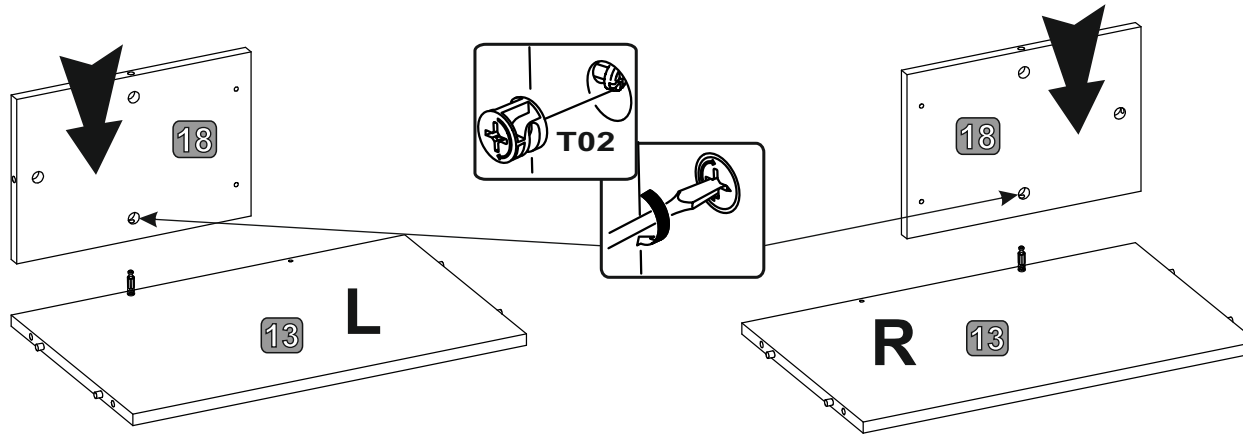
4



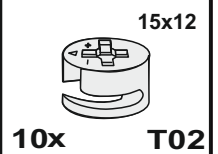
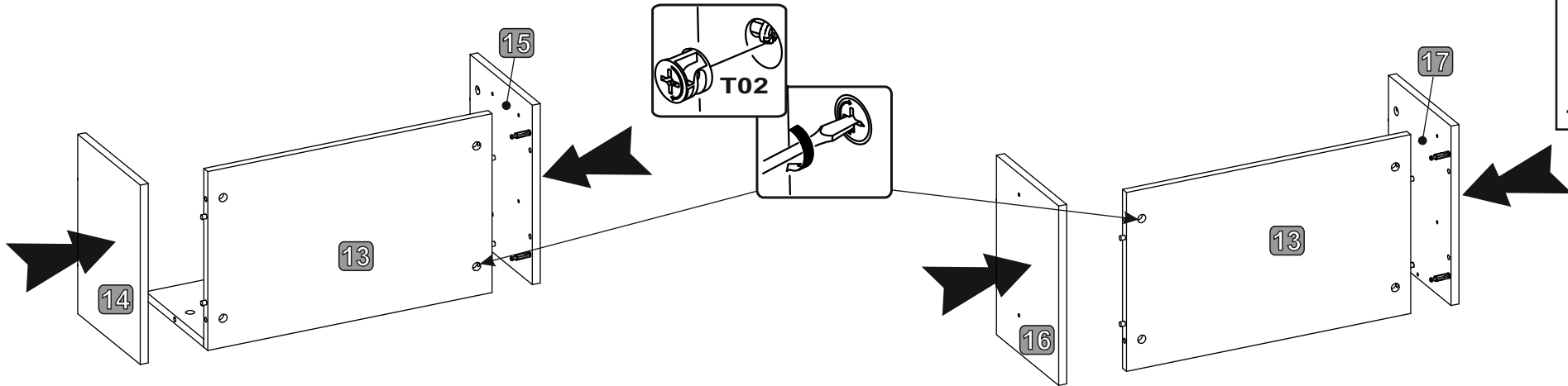
 4x	 T03	 19x	 8x28 D01	 1x	 4x16 L02	 6,3x16 4x	 22x T01
						 8x T02	 15x12 4x S01



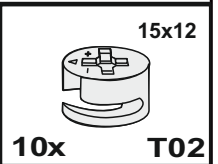
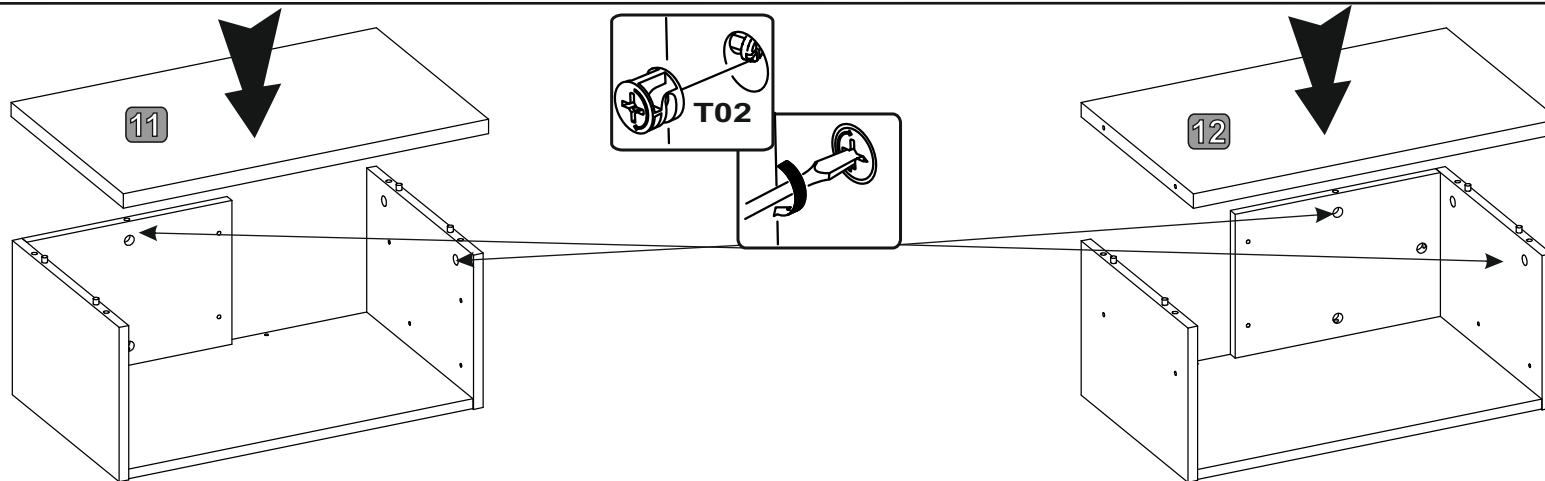
5



6

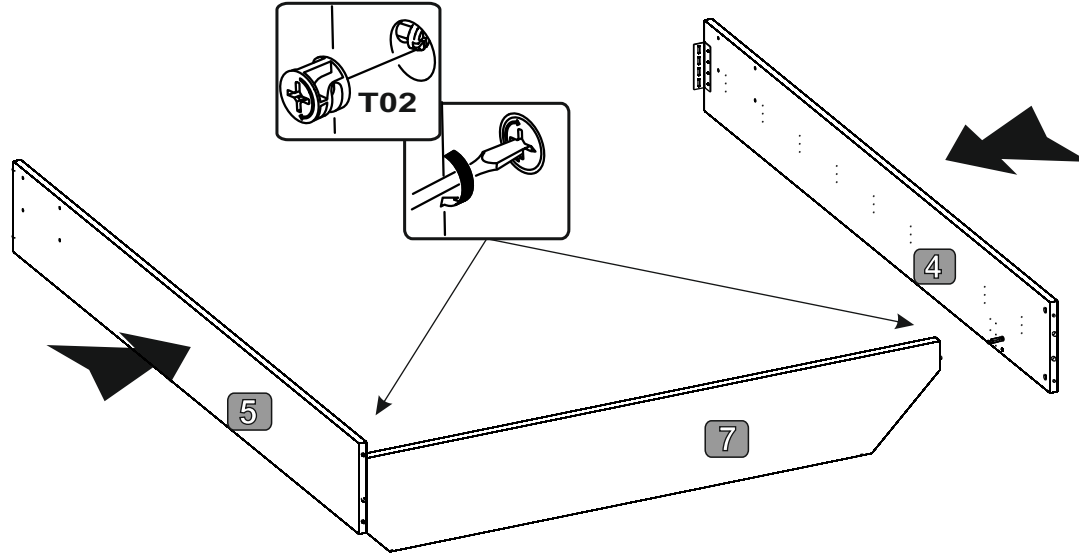


7



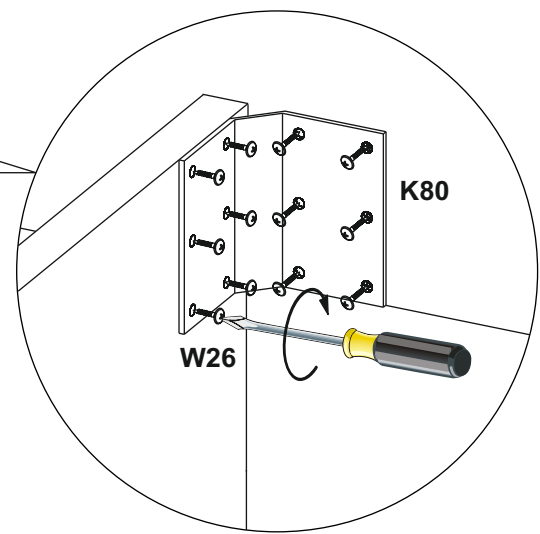
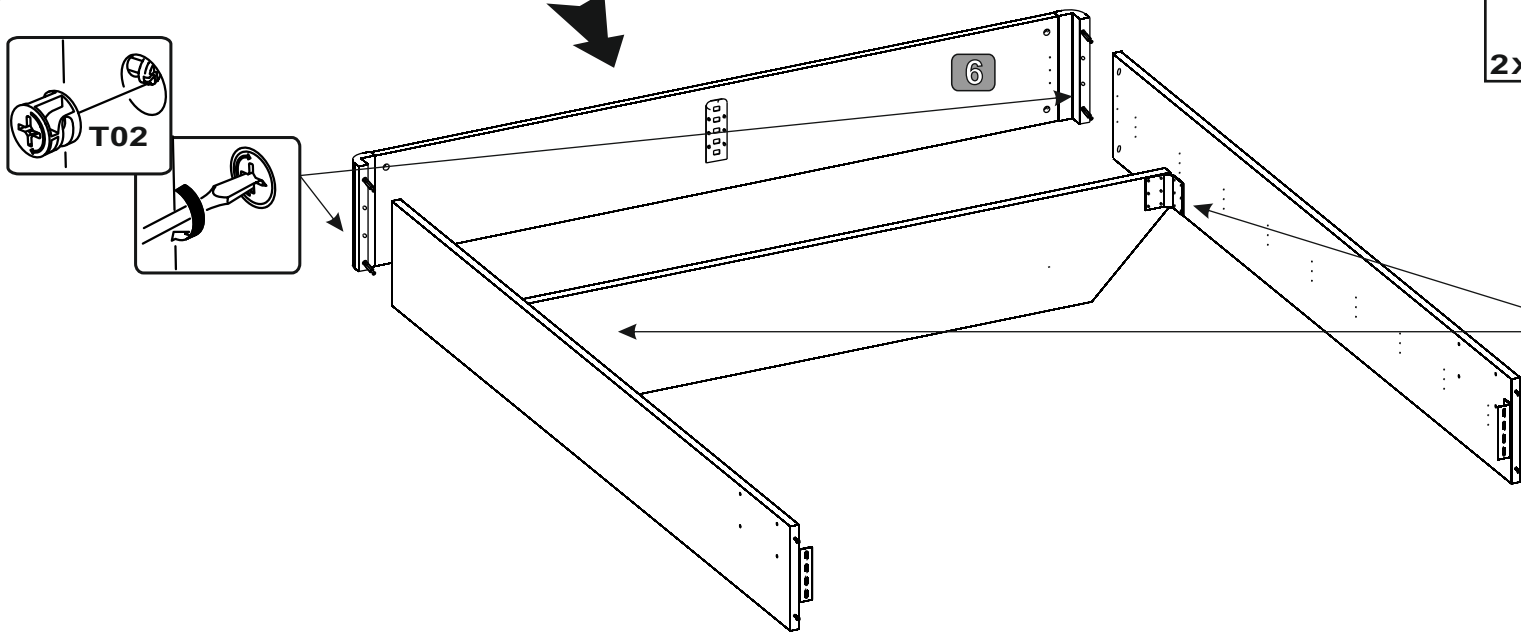
8

15x12
2x T02

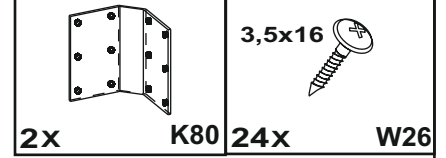
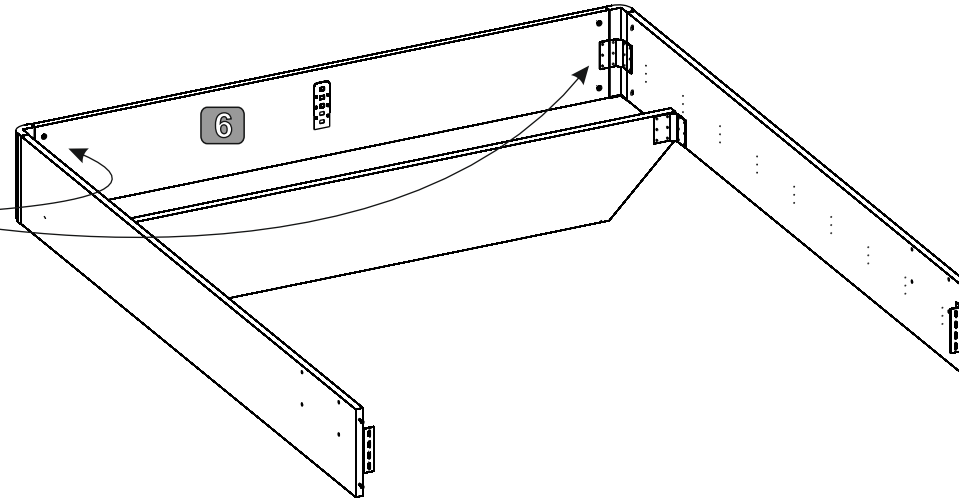
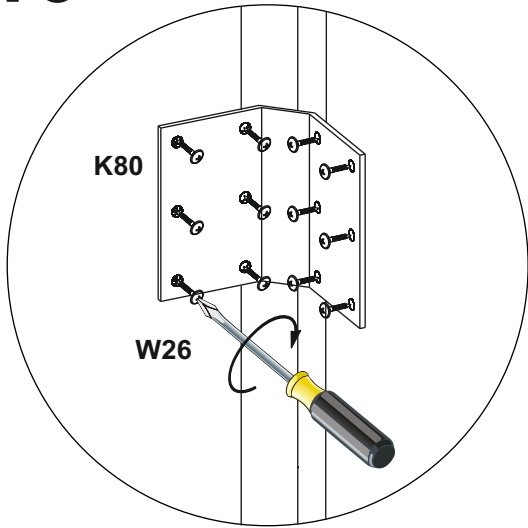


9

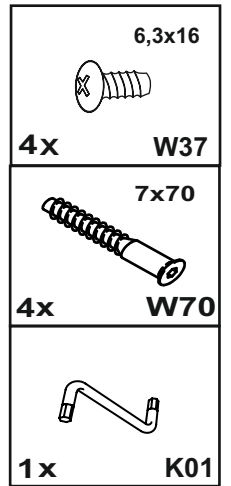
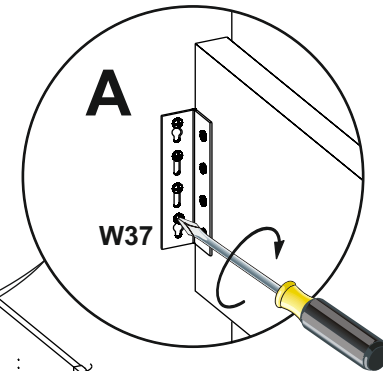
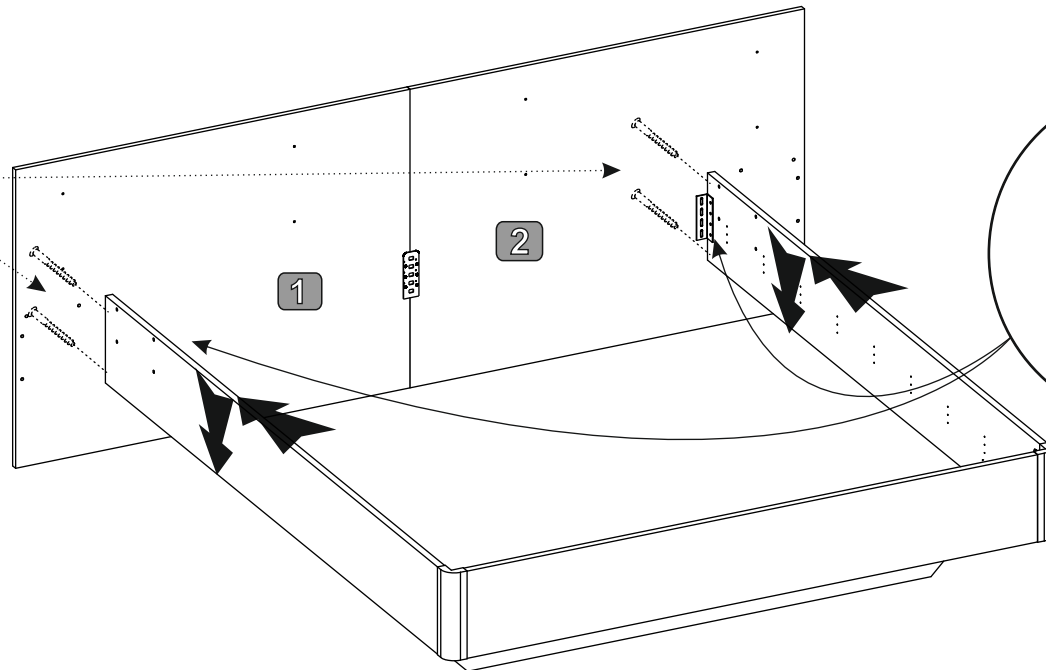
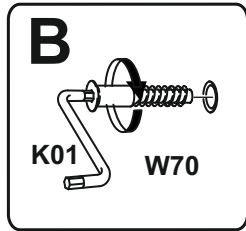
2x K80
3,5x16
24x W26
4x T02
15x12



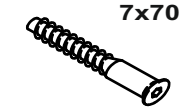
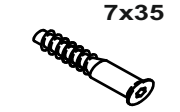
10

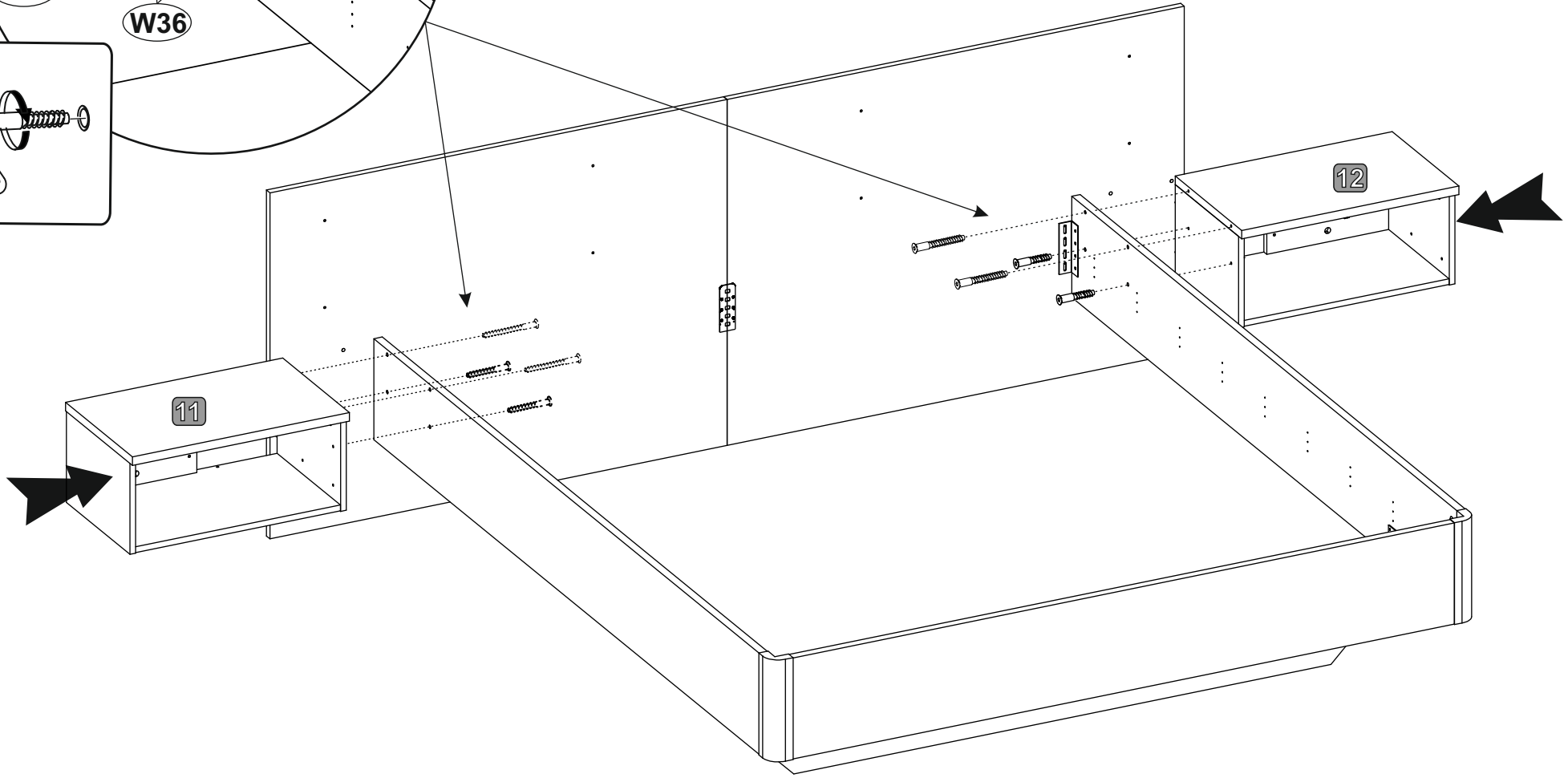
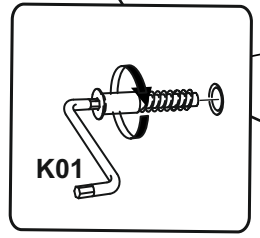
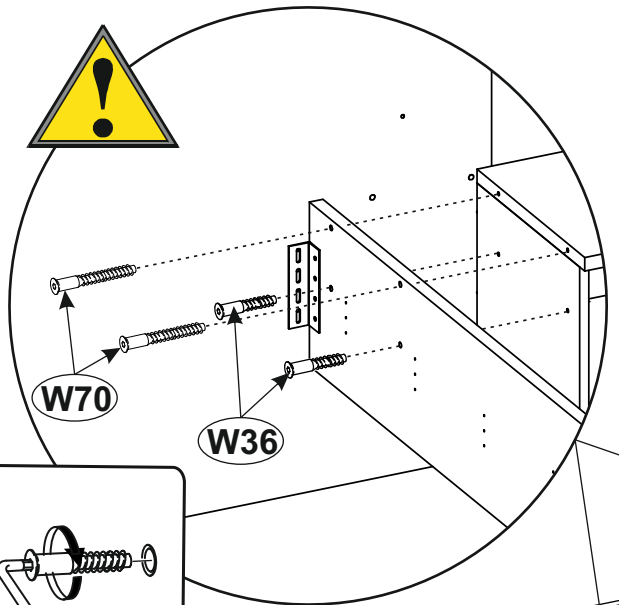


11

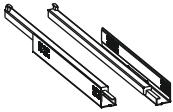

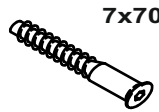
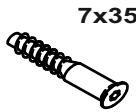


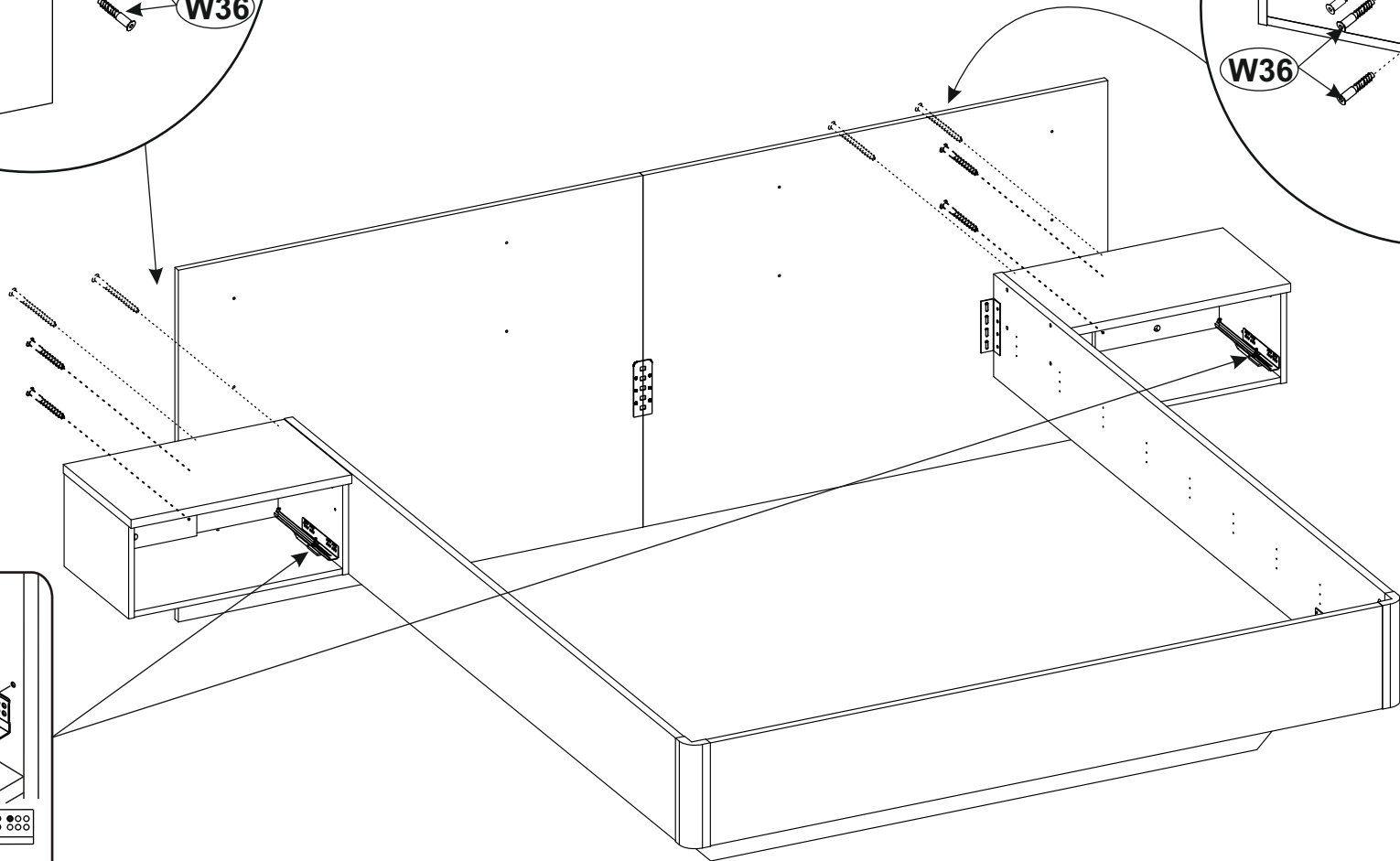
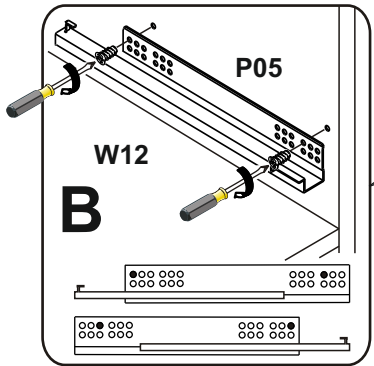
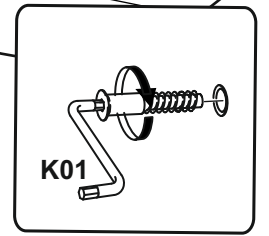
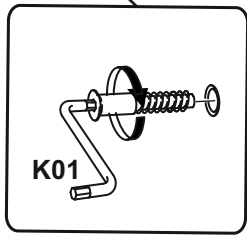
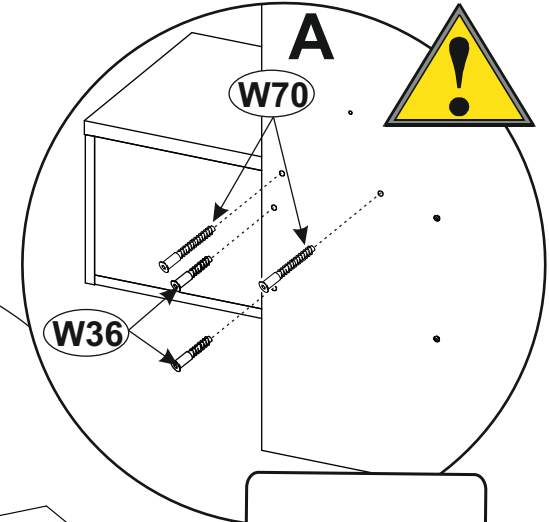
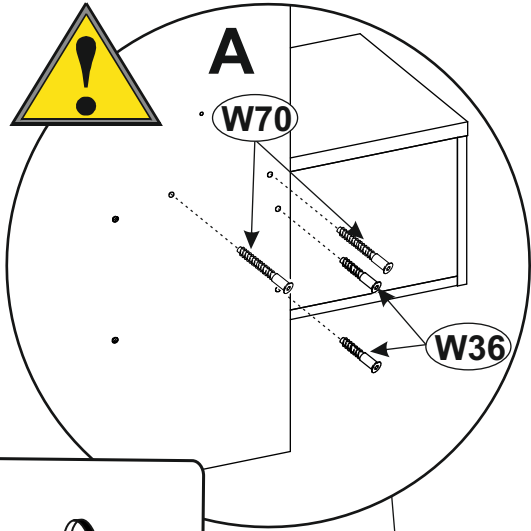
12

 7x70 4x	 7x35 4x
---	---

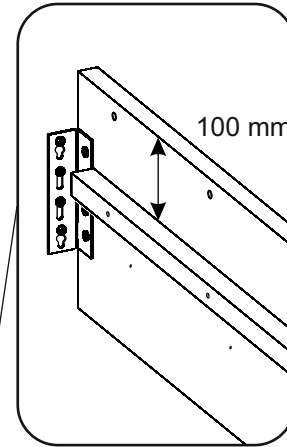
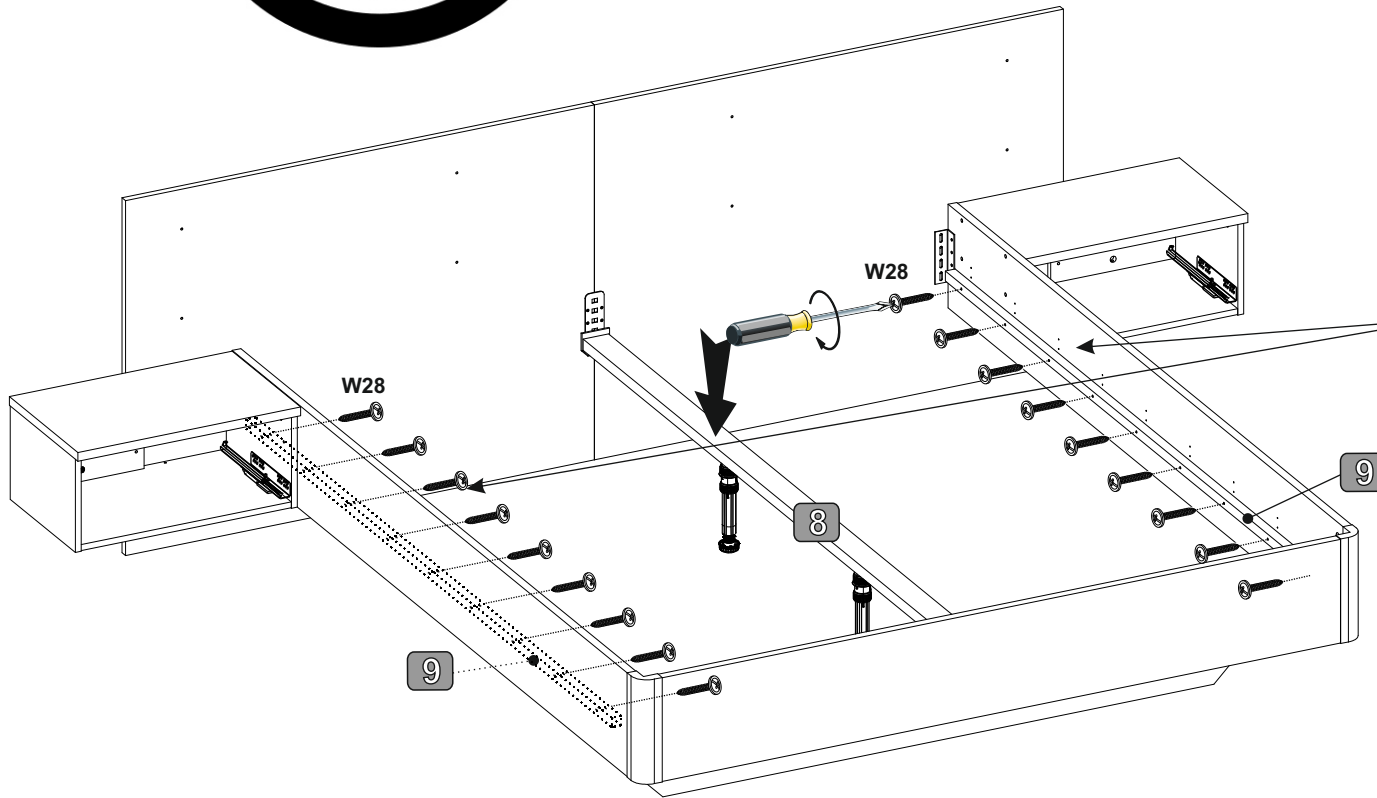


13

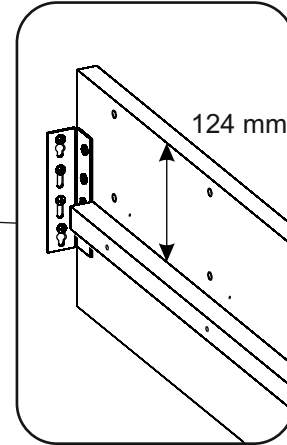
 2x L+P P05	 6x11 8x W12	 7x70 4x W70	 7x35 4x W36
--	--	--	--



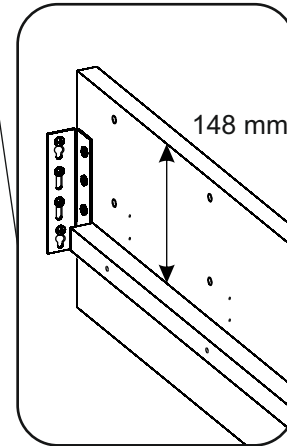
14



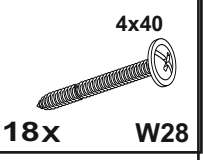
V. A



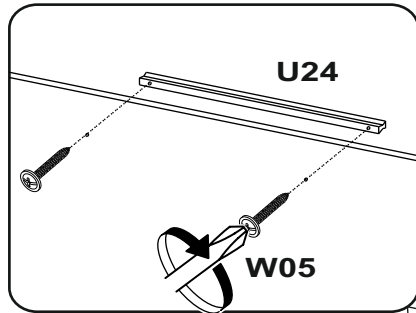
V. B



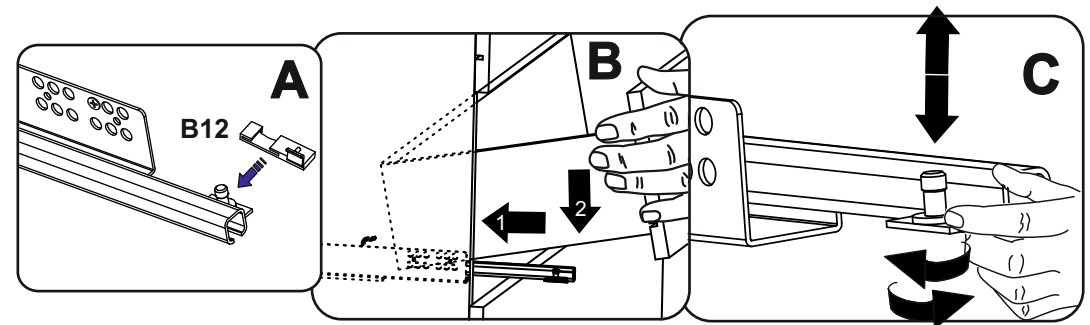
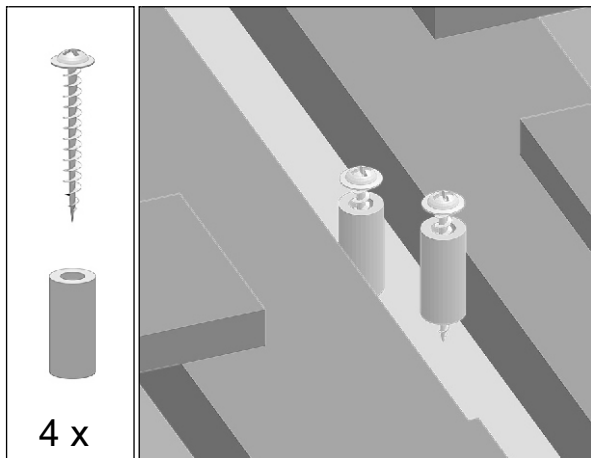
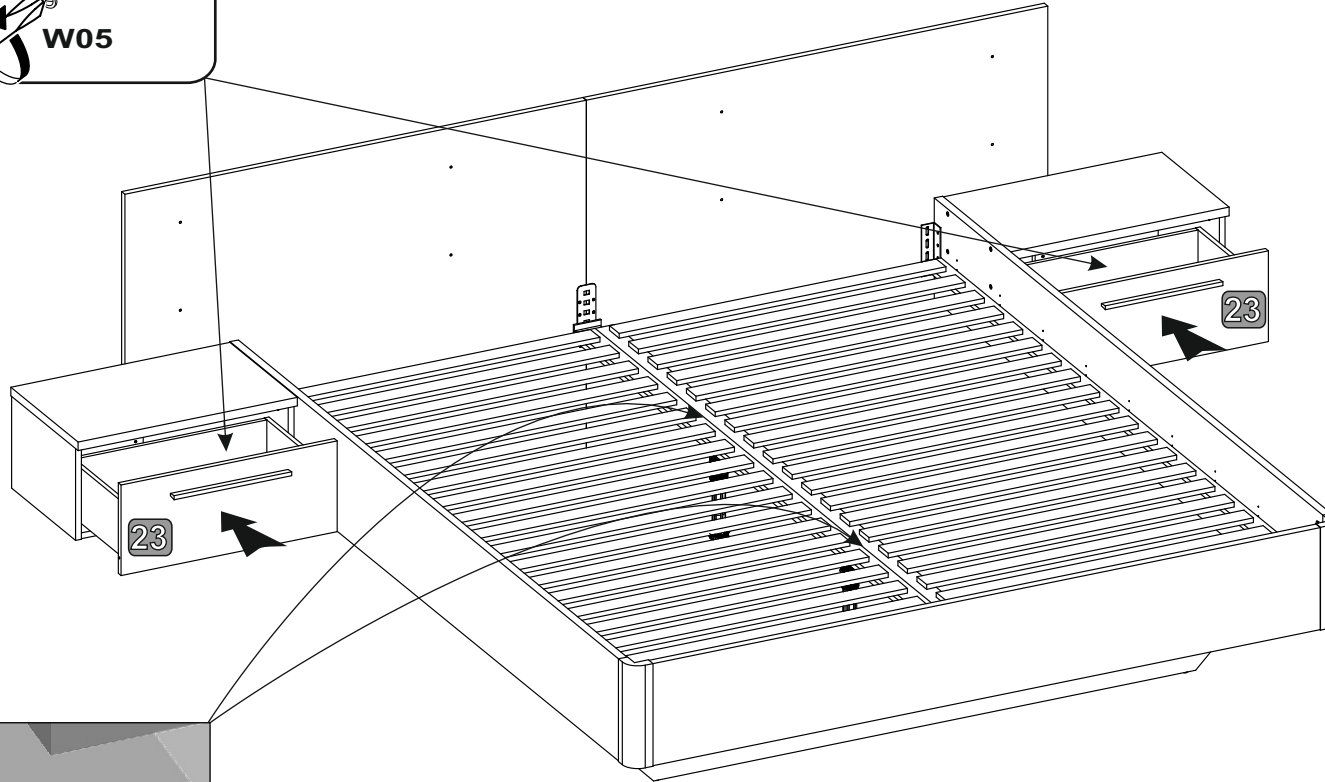
V. C



15

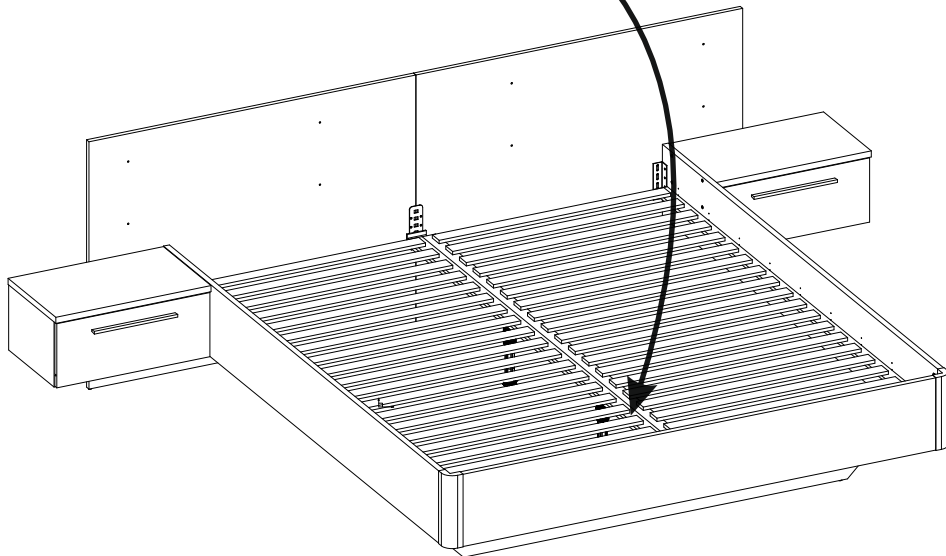
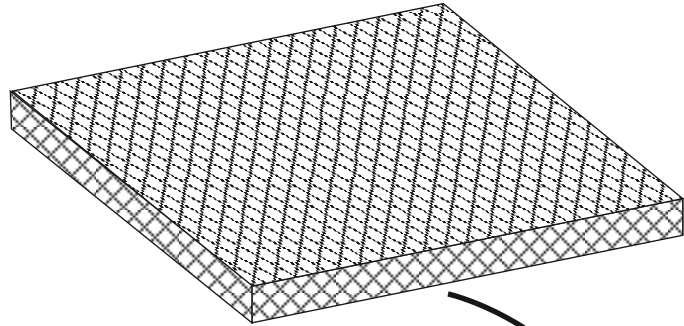
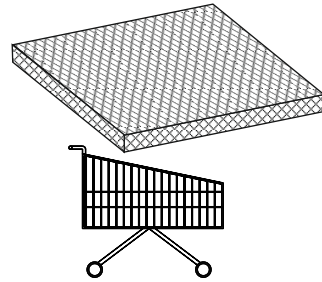


4x25 4x W05	L-306 2x U24	4x35 4x W15	G10 4x
			2X L+P. B12



16

I



II

