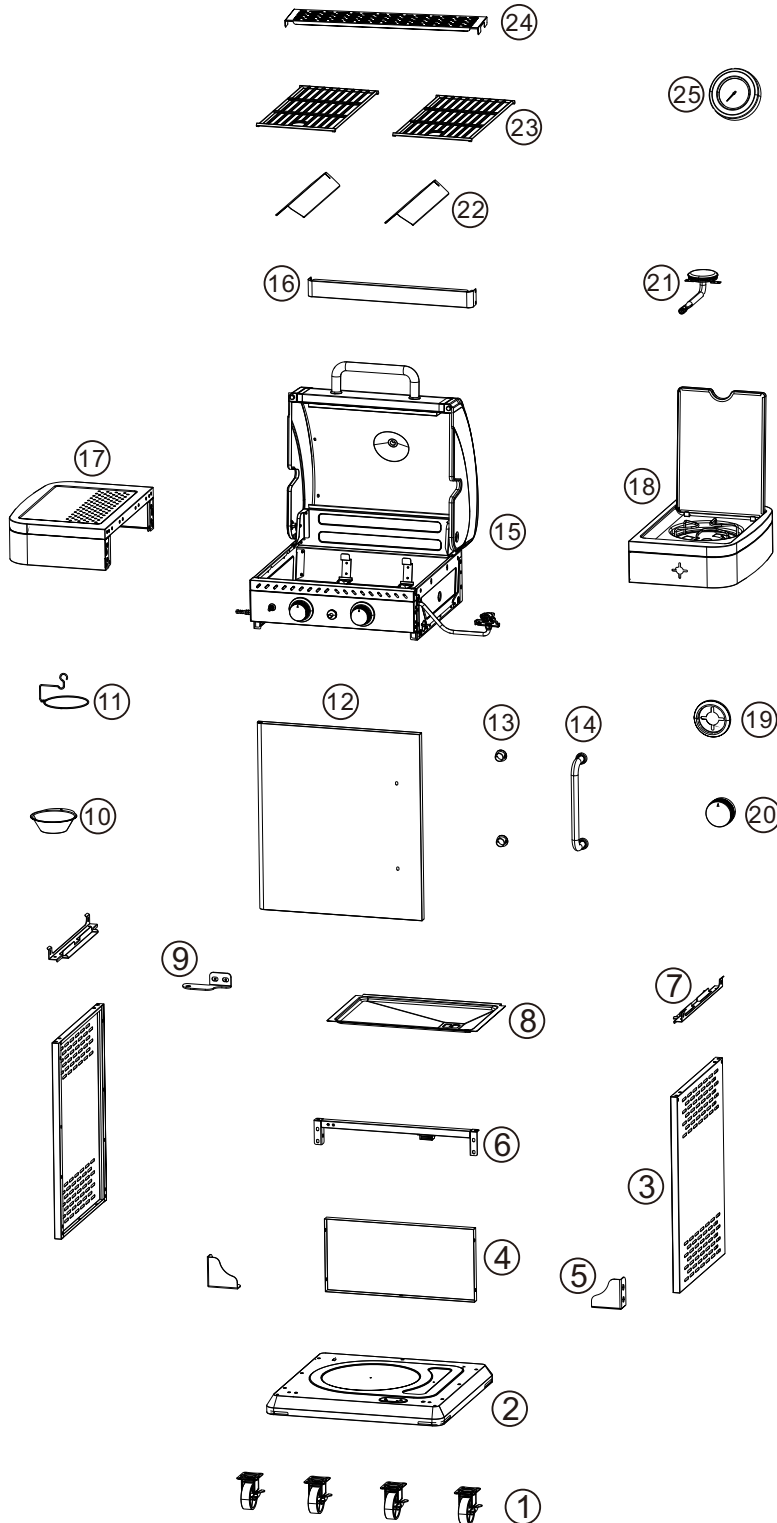
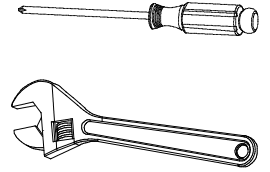
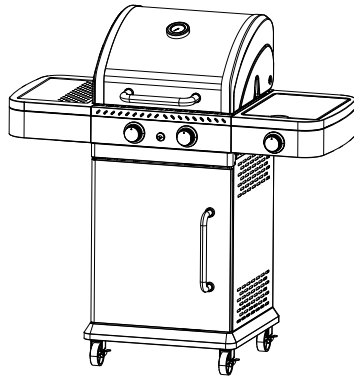
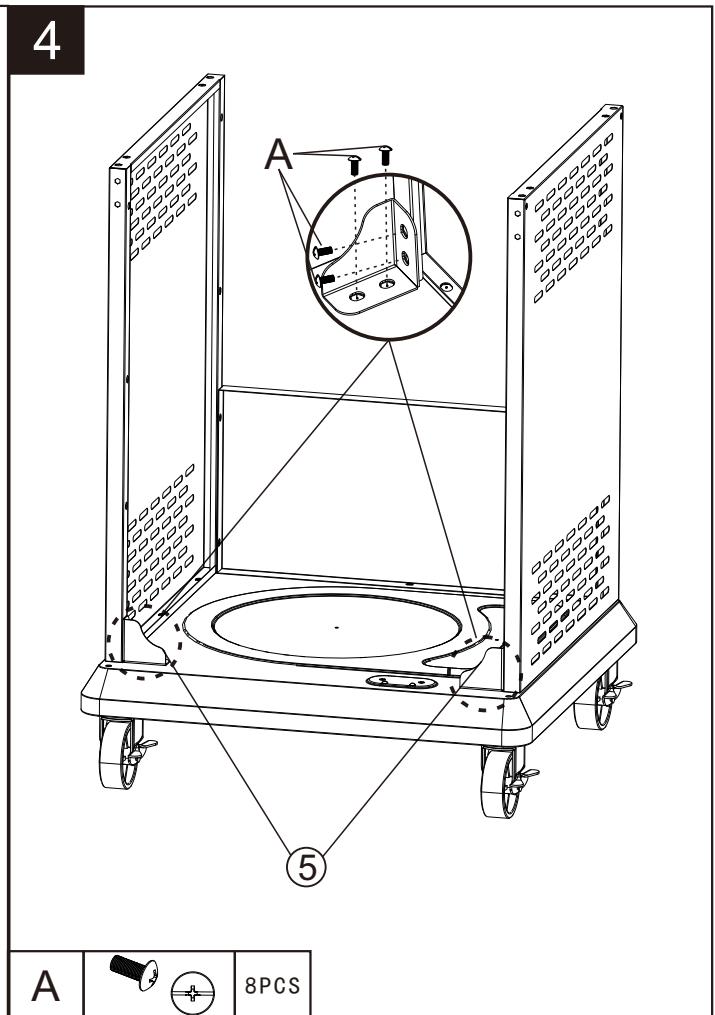
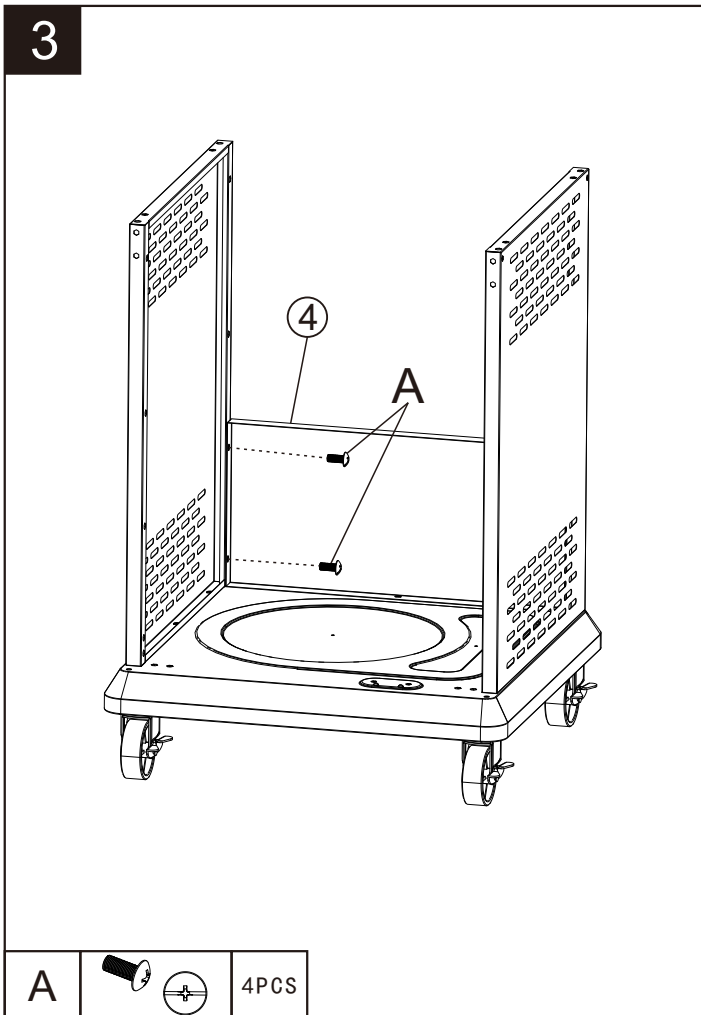
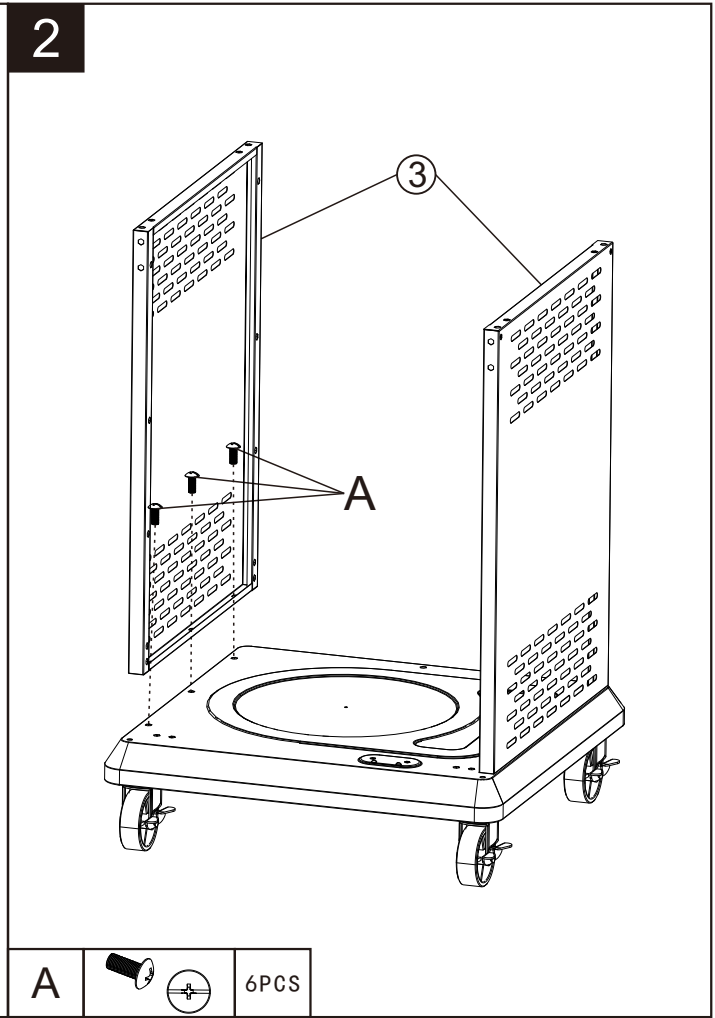
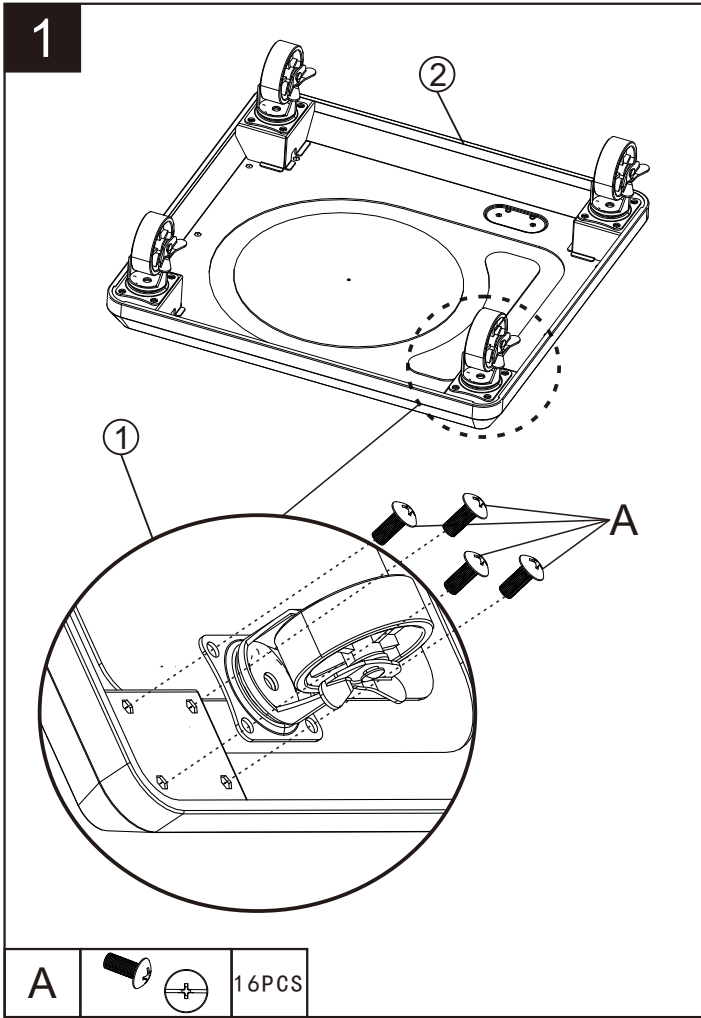


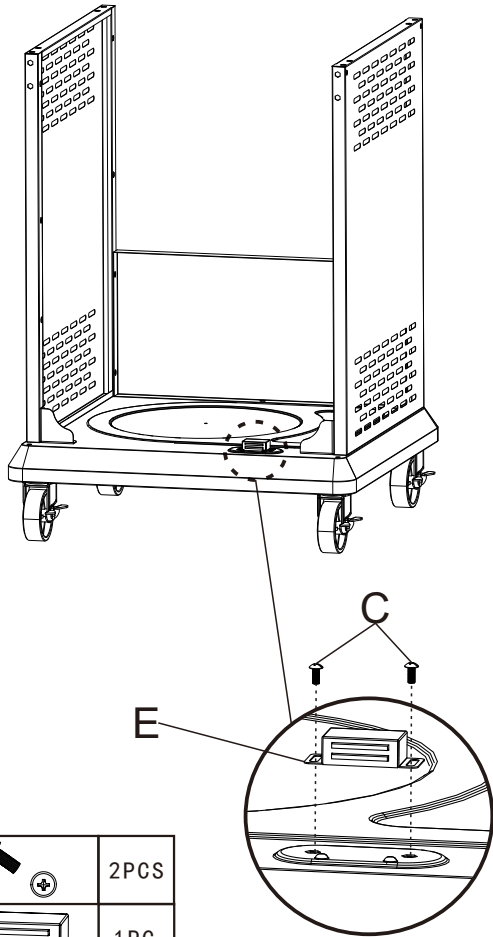
Landgraf GS2



① *4	② *1	③ *2
④ *1	⑤ *2	⑥ *1
⑦ *2	⑧ *1	⑨ *1
⑩ *1	⑪ *1	⑫ *1
⑬ *2	⑭ *1	⑮ *1
⑯ *1	⑰ *1	⑱ *1
⑲ *1	⑳ *1	㉑ *1
㉒ *2	㉓ *2	㉔ *1
㉕ *1		
A M5-10*48	B M5-12*10	C M4-8*6
D M6-15*2	E *1	F *2
G M4-8*2	H M4-10*6	I Ø28*Ø10*1
J M5-16*10		

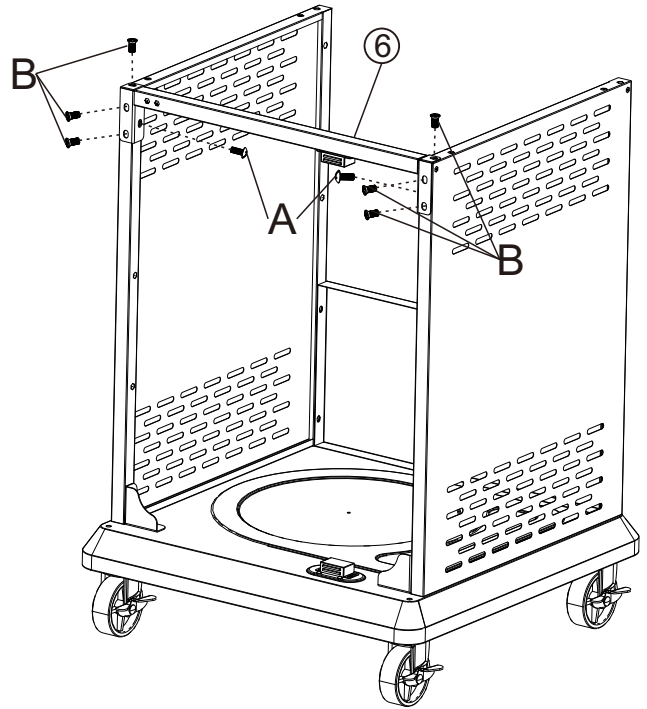


5



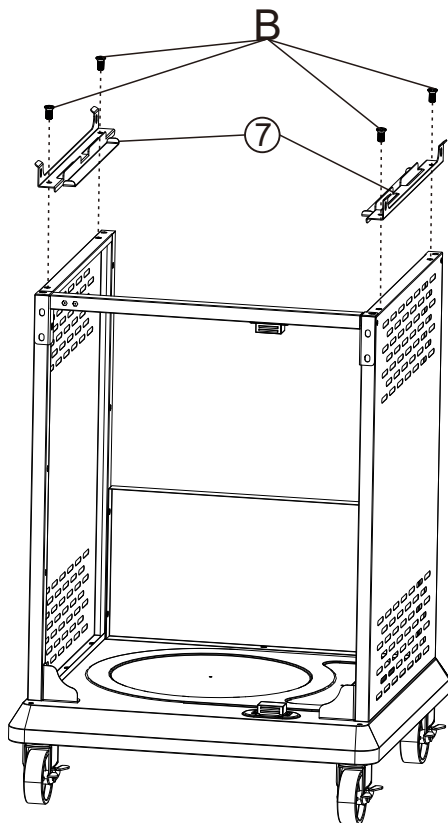
C		2PCS
E		1PC

6



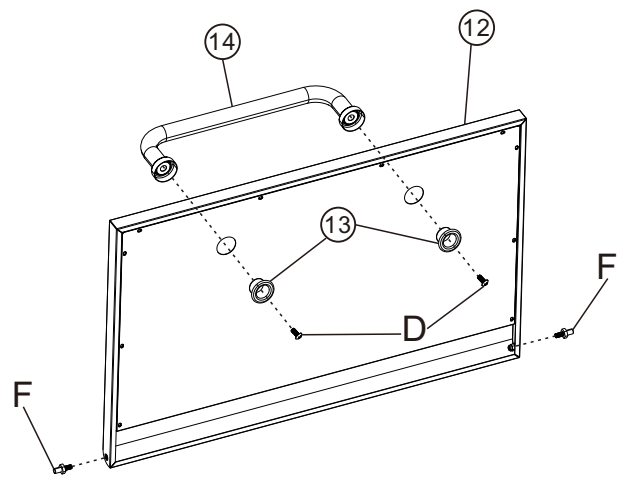
A		2PCS
B		6PCS

7

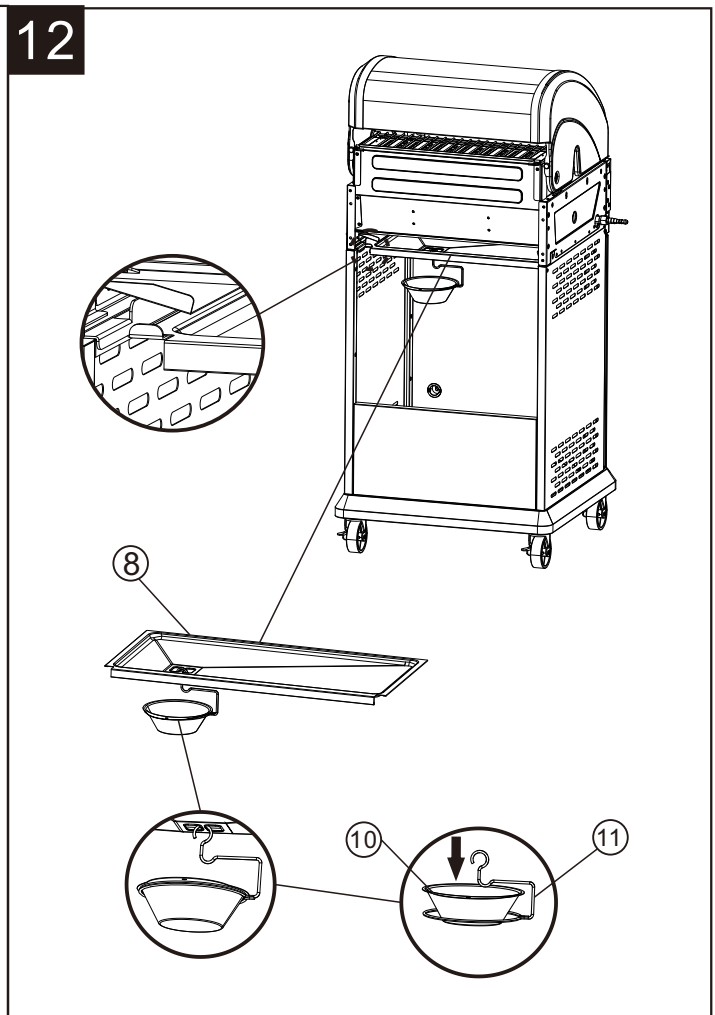
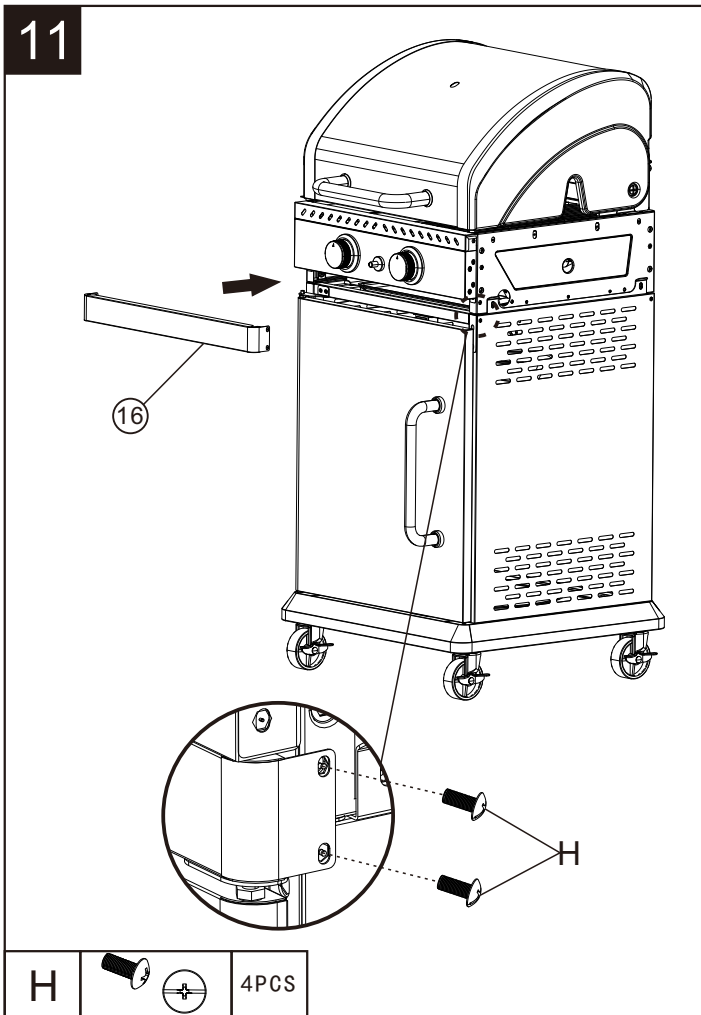
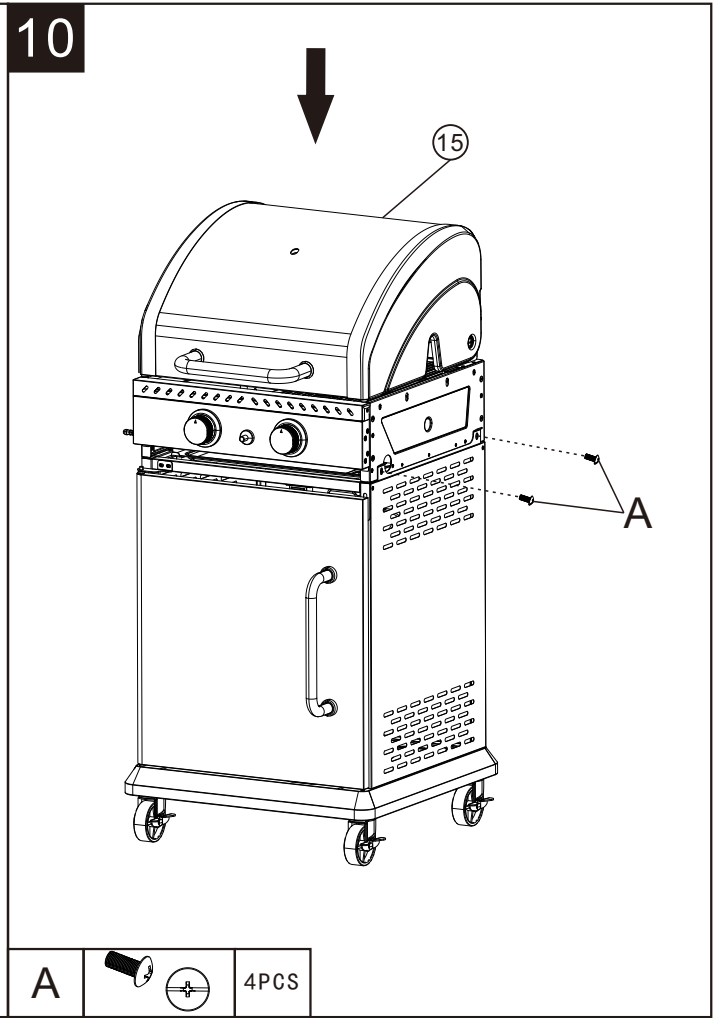
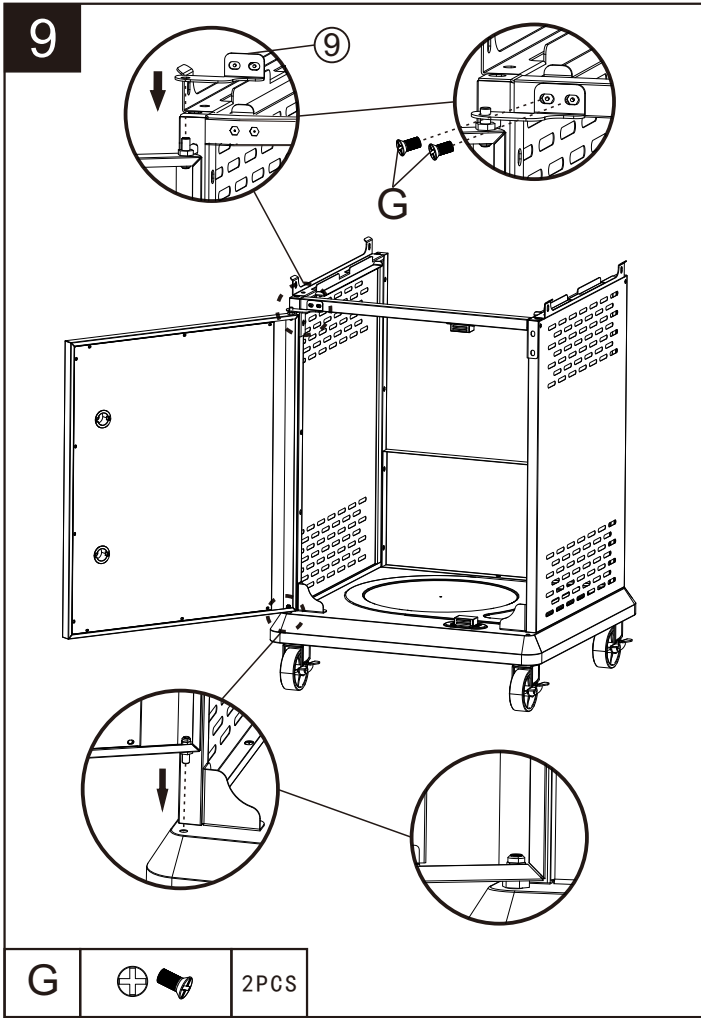


B		4PCS
---	--	------

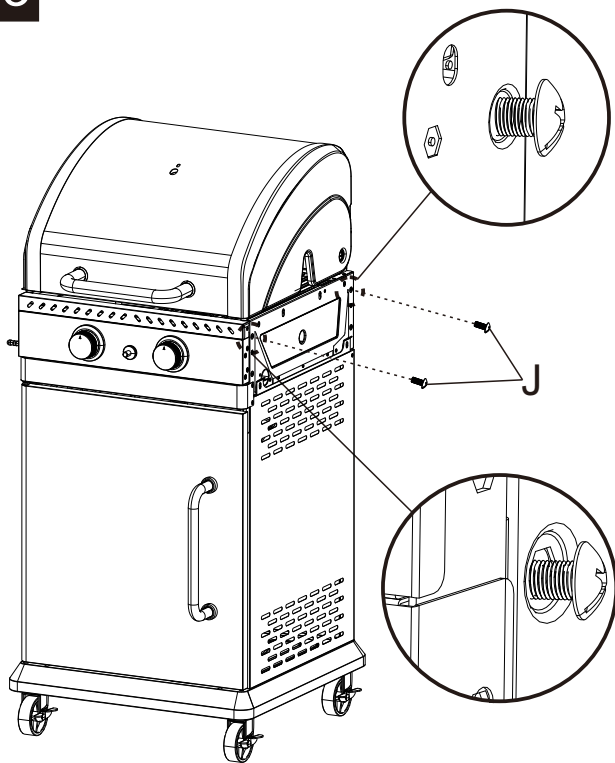
8



D		2PCS
F		2PCS

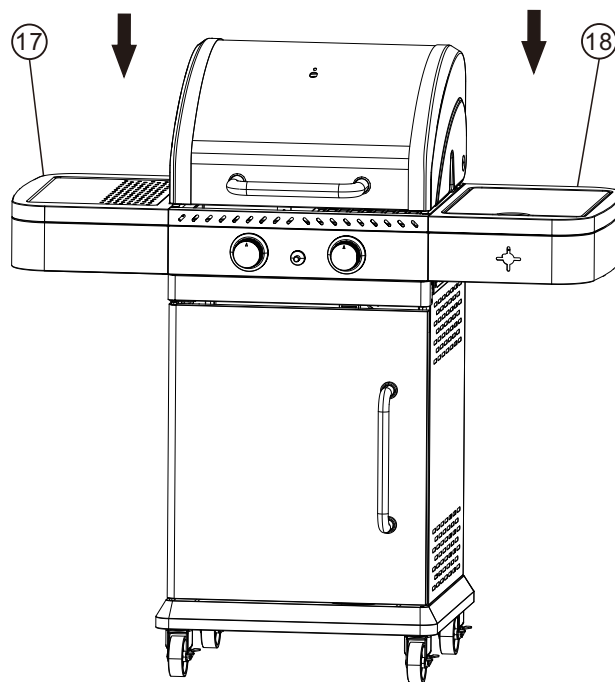


13

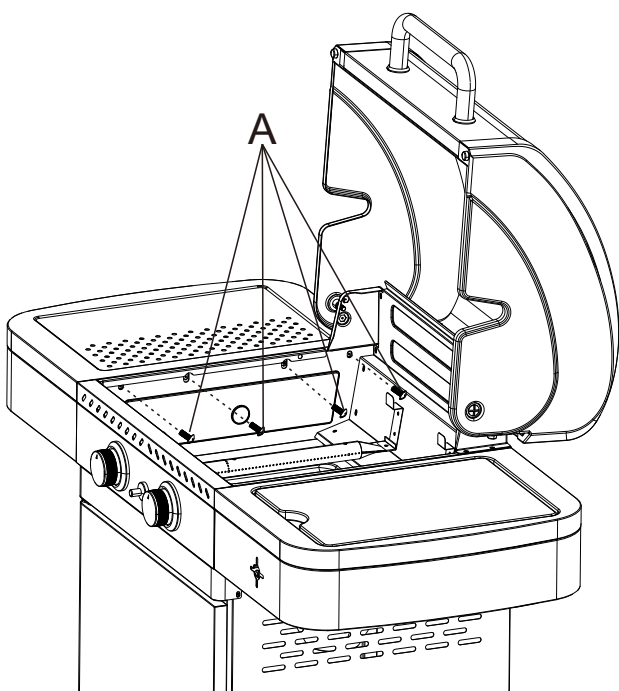


J		4PCS
---	--	------

14

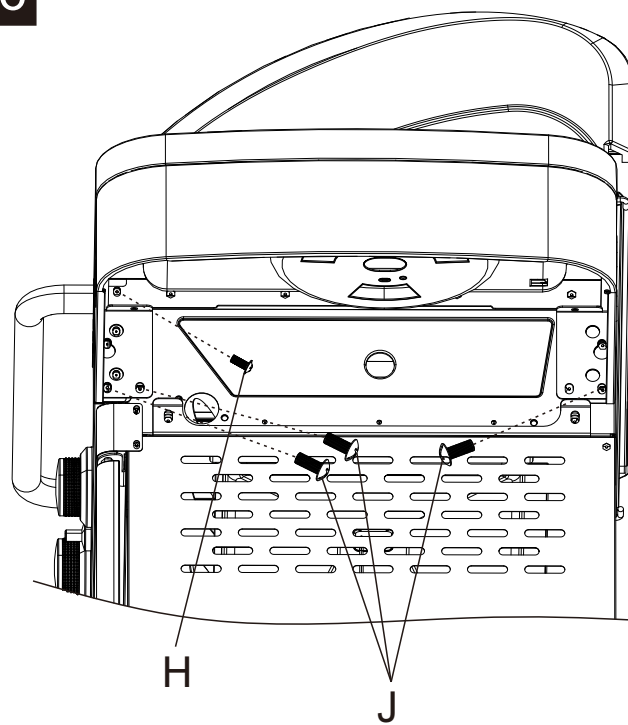


15



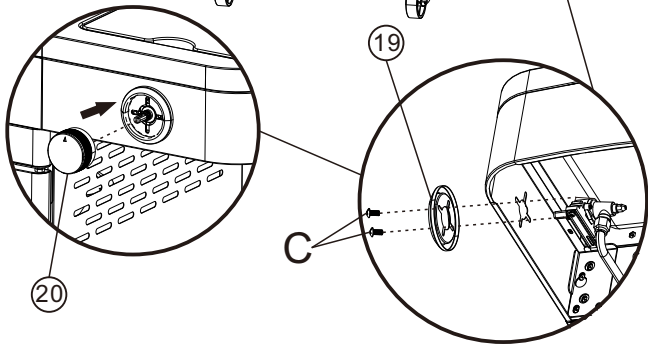
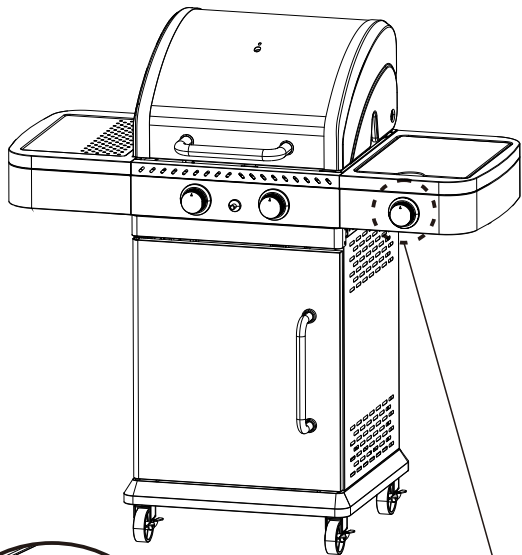
A		8PCS
---	--	------

16



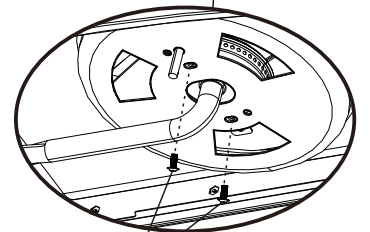
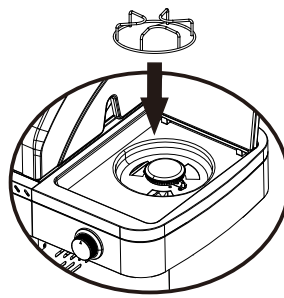
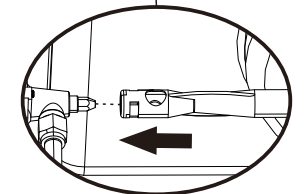
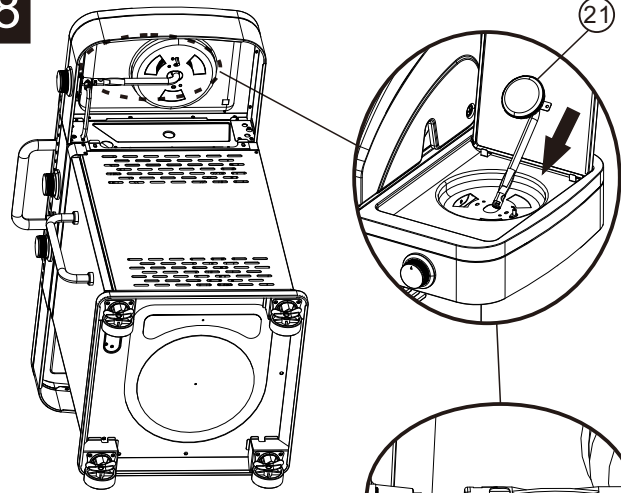
H		2PCS
J		6PCS

17



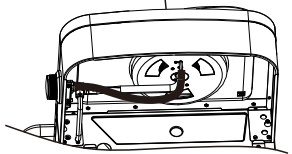
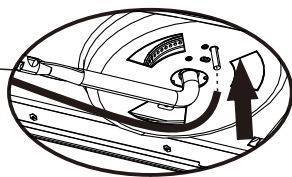
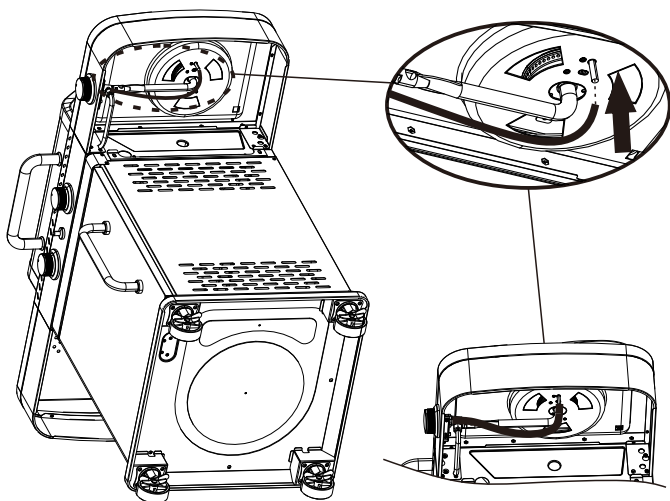
C  2PCS

18

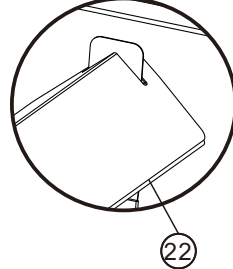
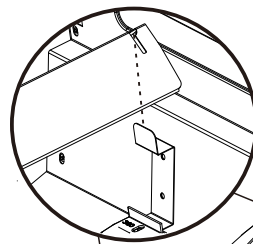
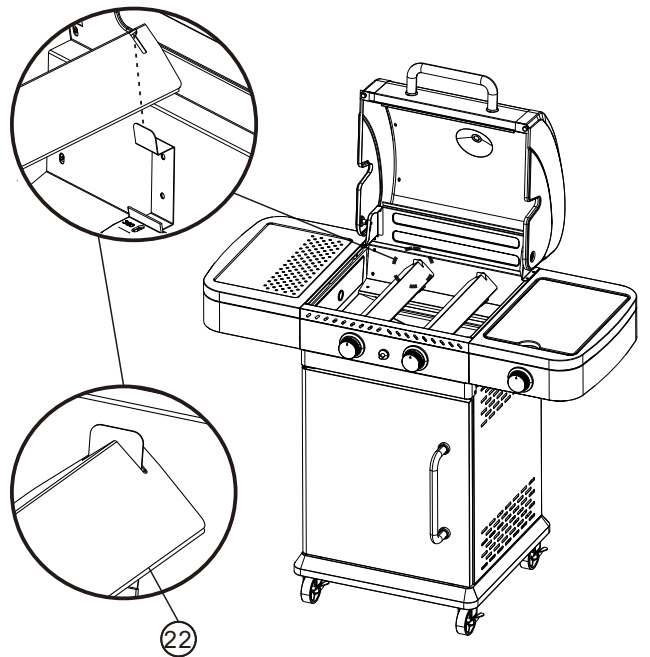


C  2PCS

19

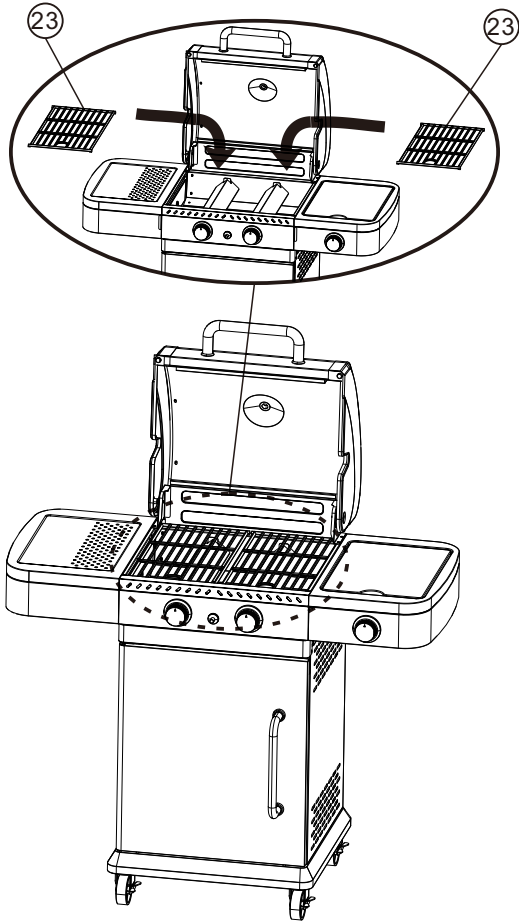


20

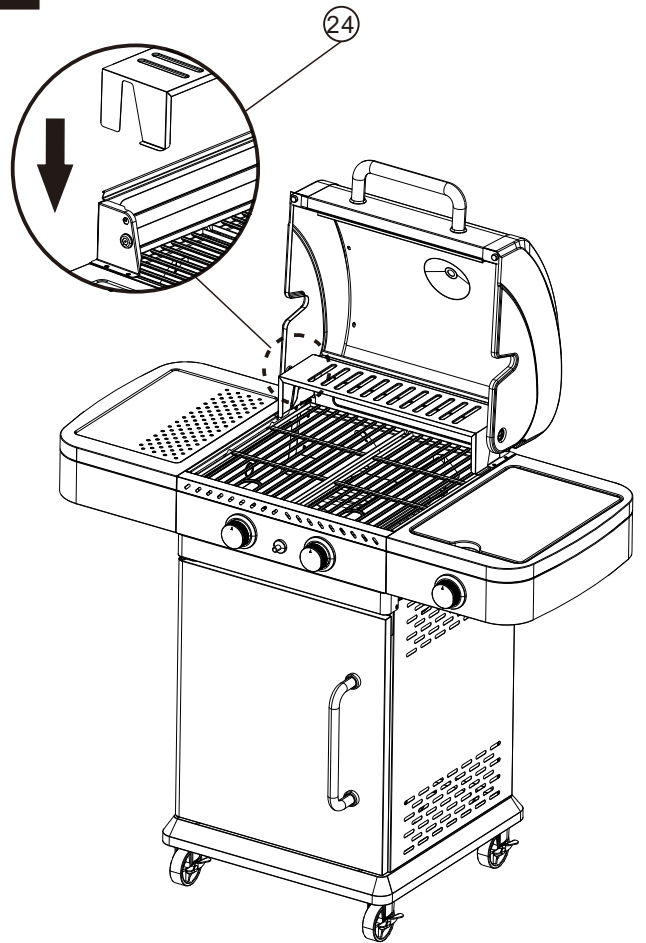


22

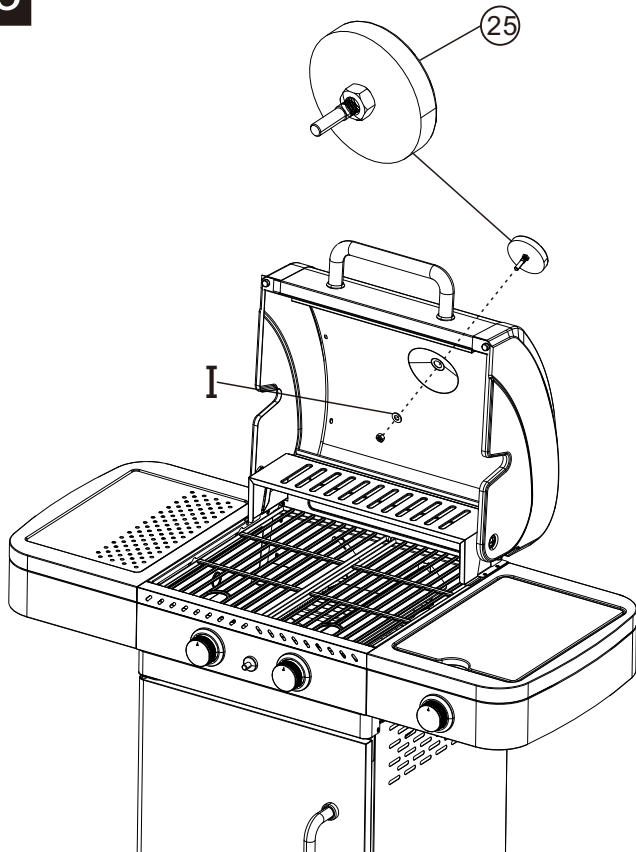
21



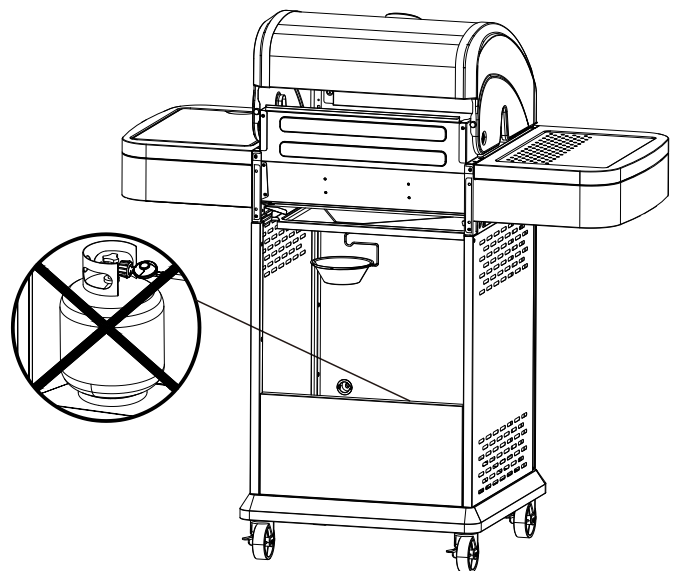
22




23



24



I		1PC
---	---	-----