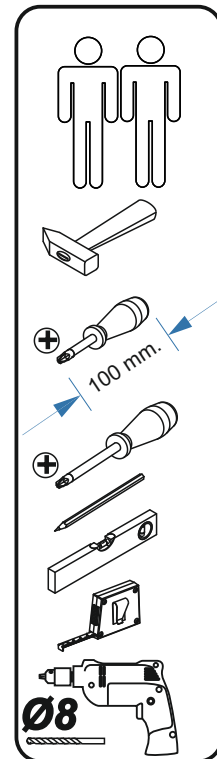
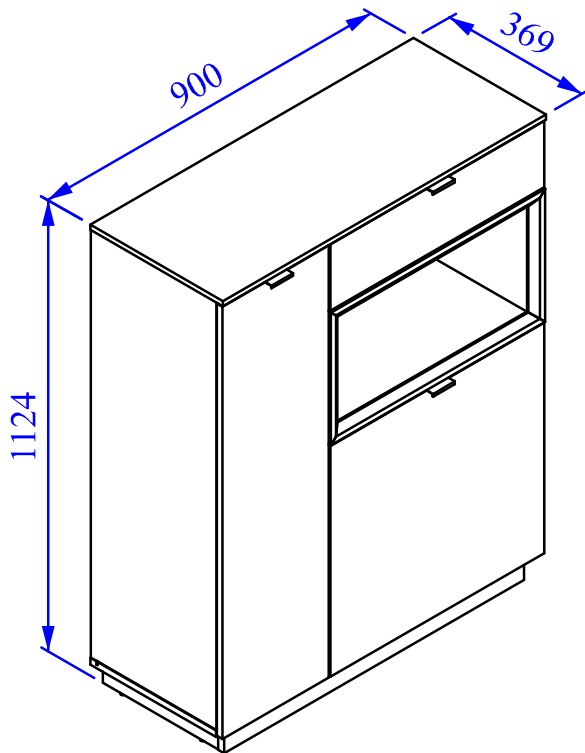
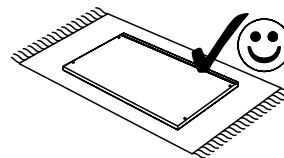
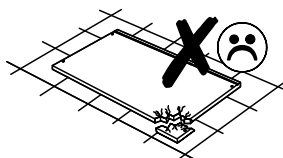
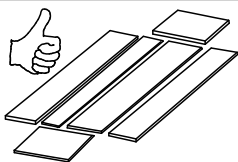
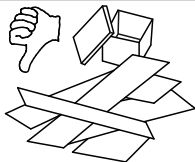



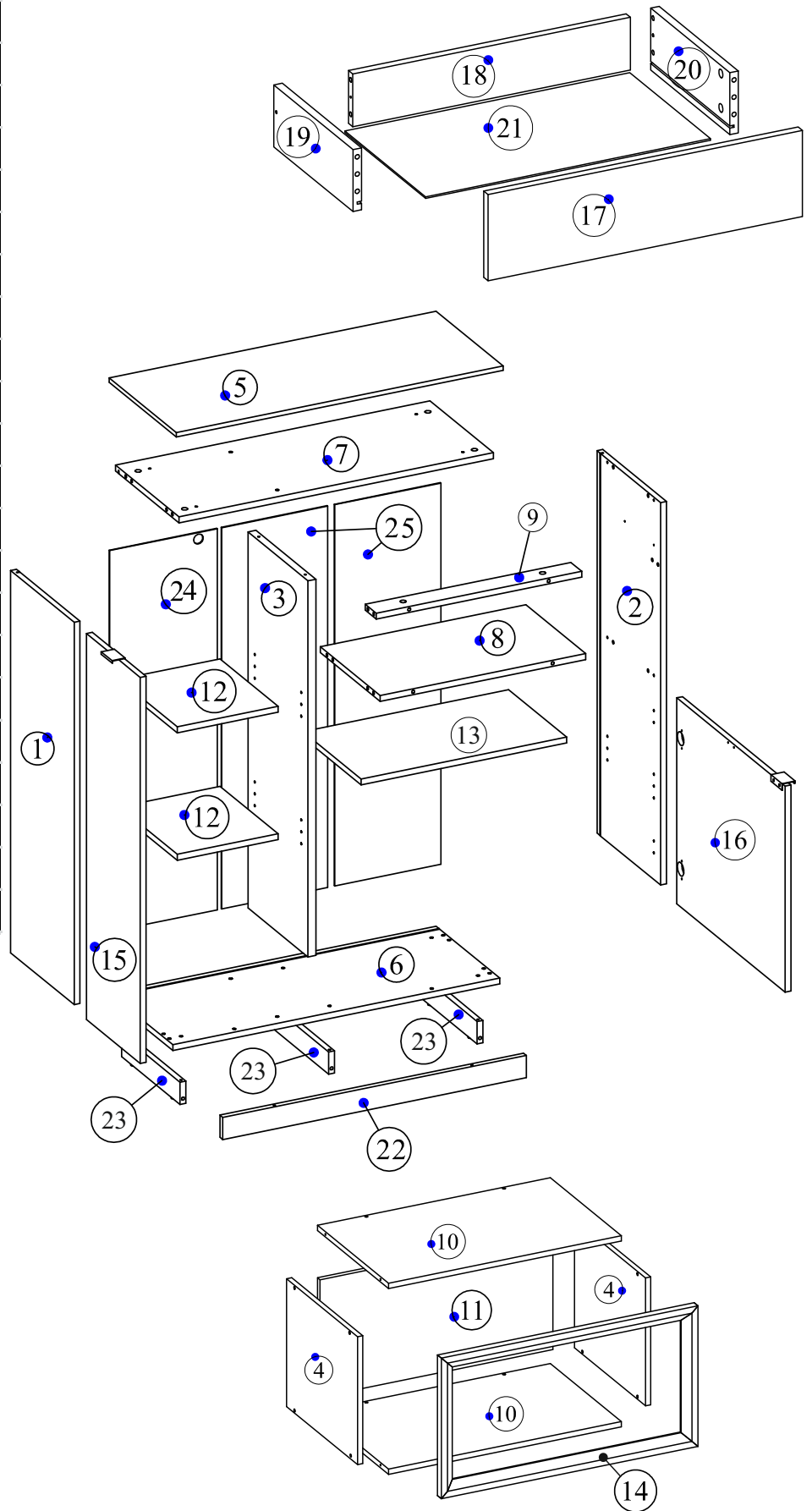
NAGOS 01560006/04



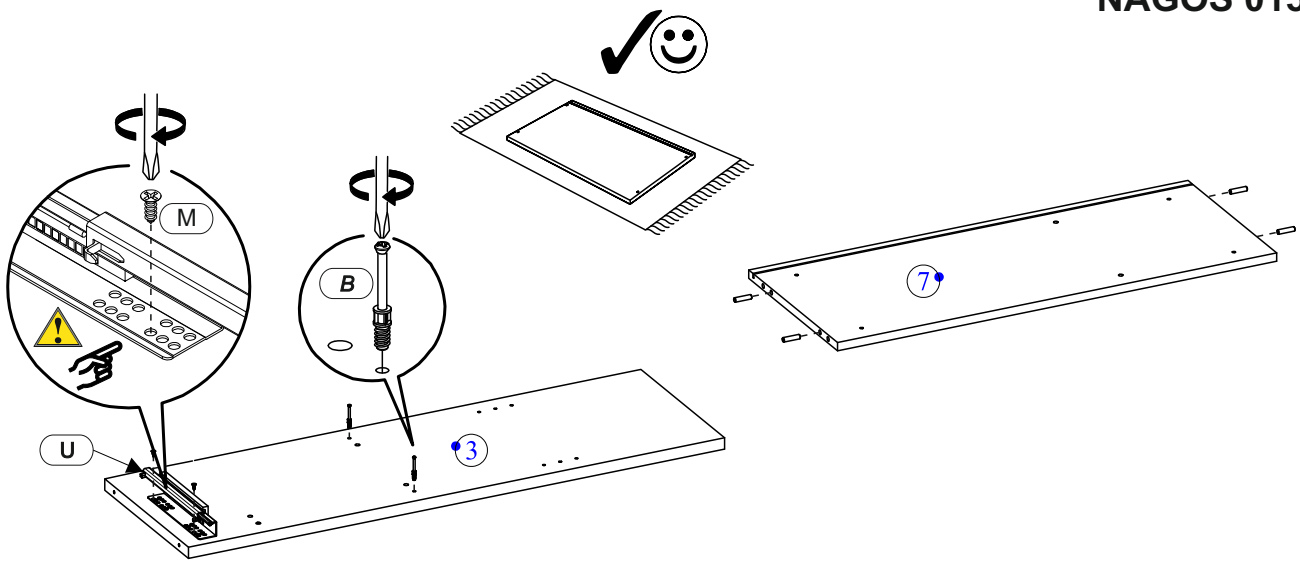
							J x6	Q1 6.3x13 x8
L Ø3x18 x8	R x1	M3 Ø3,5x30 x12	M Ø4x13 x13	M2 Ø4x25 x4	P Ø4x35 x2	W Ø20 x4	A Ø8x30 x25	B Ø7x45 x16
D Ø18 x12	C Ø15x12 x16	E Ø7x50 x16	E1 Ø12 x8	O x3	O1 Ø3x16 x10	I x10	Q x4	N Ø10x2 x6
F x1	T1 Ø8x50 x1	T2 Ø5.5x50 x1	G2 x12	K x4	U 300mm x1	L V 300mm x1	U1 x1	L V1 x1



№	L	B	S	Q	
1	1032	350	16	1	2/2
2	1032	350	16	1	2/2
3	1015	330	22	1	2/2
4	291	330	12	2	1/2
5	900	369	12	1	2/2
6	900	350	16	1	2/2
7	866	350	16	1	2/2
8	566	330	16	1	1/2
9	566	60	16	1	1/2
10	541	330	12	2	1/2
11	267	541	12	1	1/2
12	278	320	16	2	1/2
13	566	320	16	1	1/2
14	320	596	18,4	1	1/2
15	1042	296	16	1	2/2
16	556	596	16	1	1/2
17	596	160	16	1	1/2
18	526	98	16	1	1/2
19	300	115	16	1	1/2
20	300	115	16	1	1/2
21	540	306	3	1	1/2
22	836	60	16	1	2/2
23	322	60	16	3	1/2
24	1029	296	3	1	2/2
25	1029	584	3	1	2/2

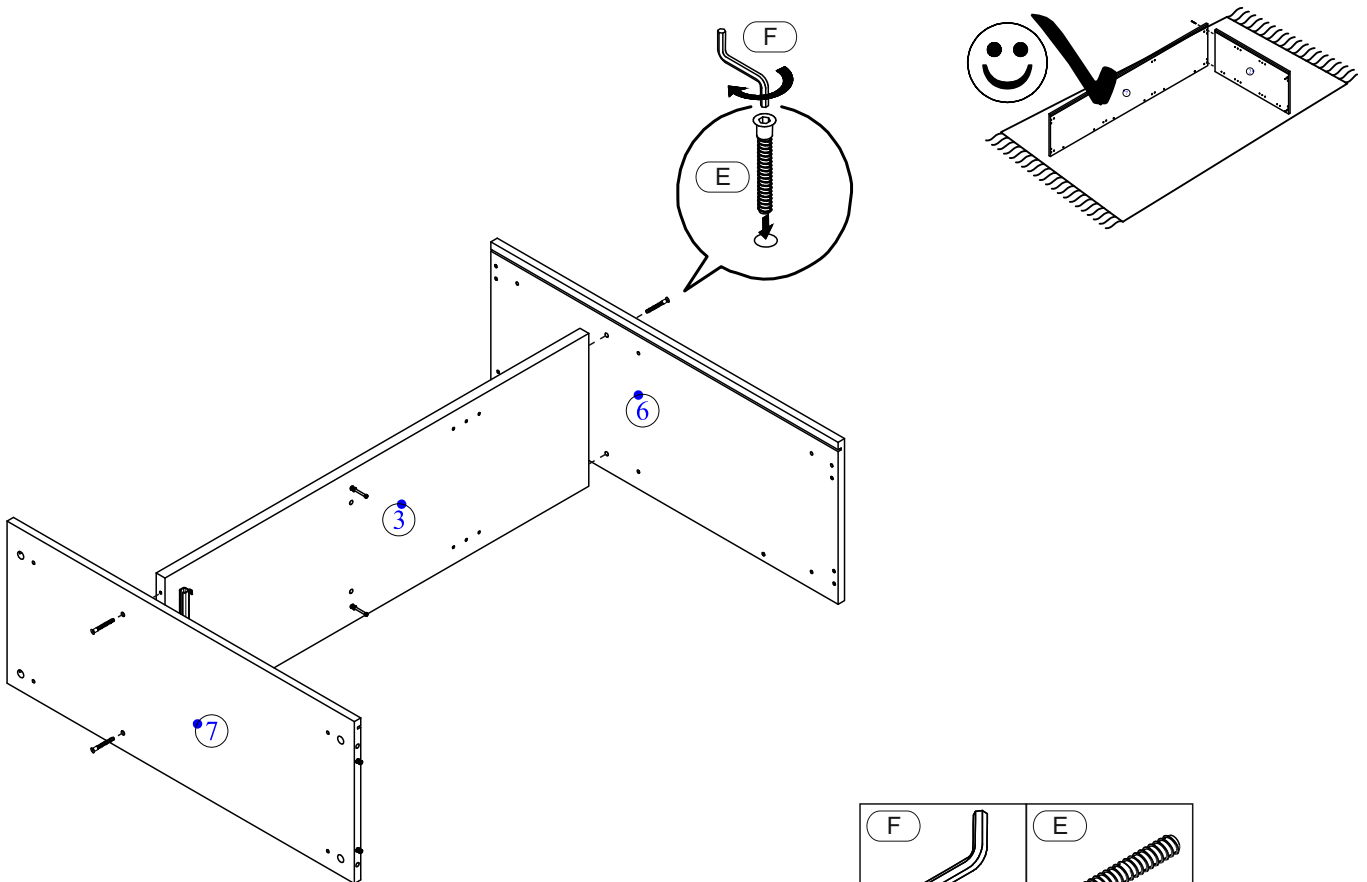


1



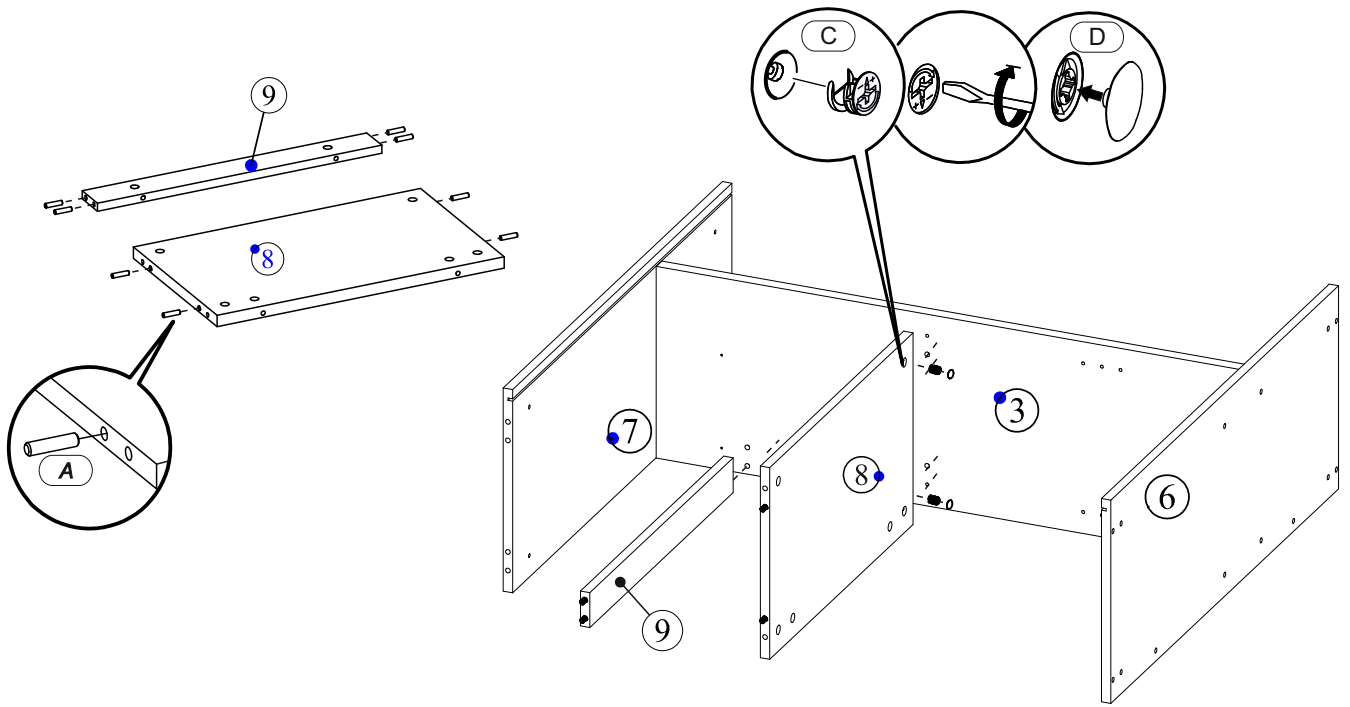
<p>U</p> <p>300mm x1</p>	<p>M</p> <p>Ø4x13 x2</p>	<p>B</p> <p>Ø7x45 x2</p>	<p>A</p> <p>Ø8x30 x4</p>
---------------------------------	---------------------------------	---------------------------------	---------------------------------

2



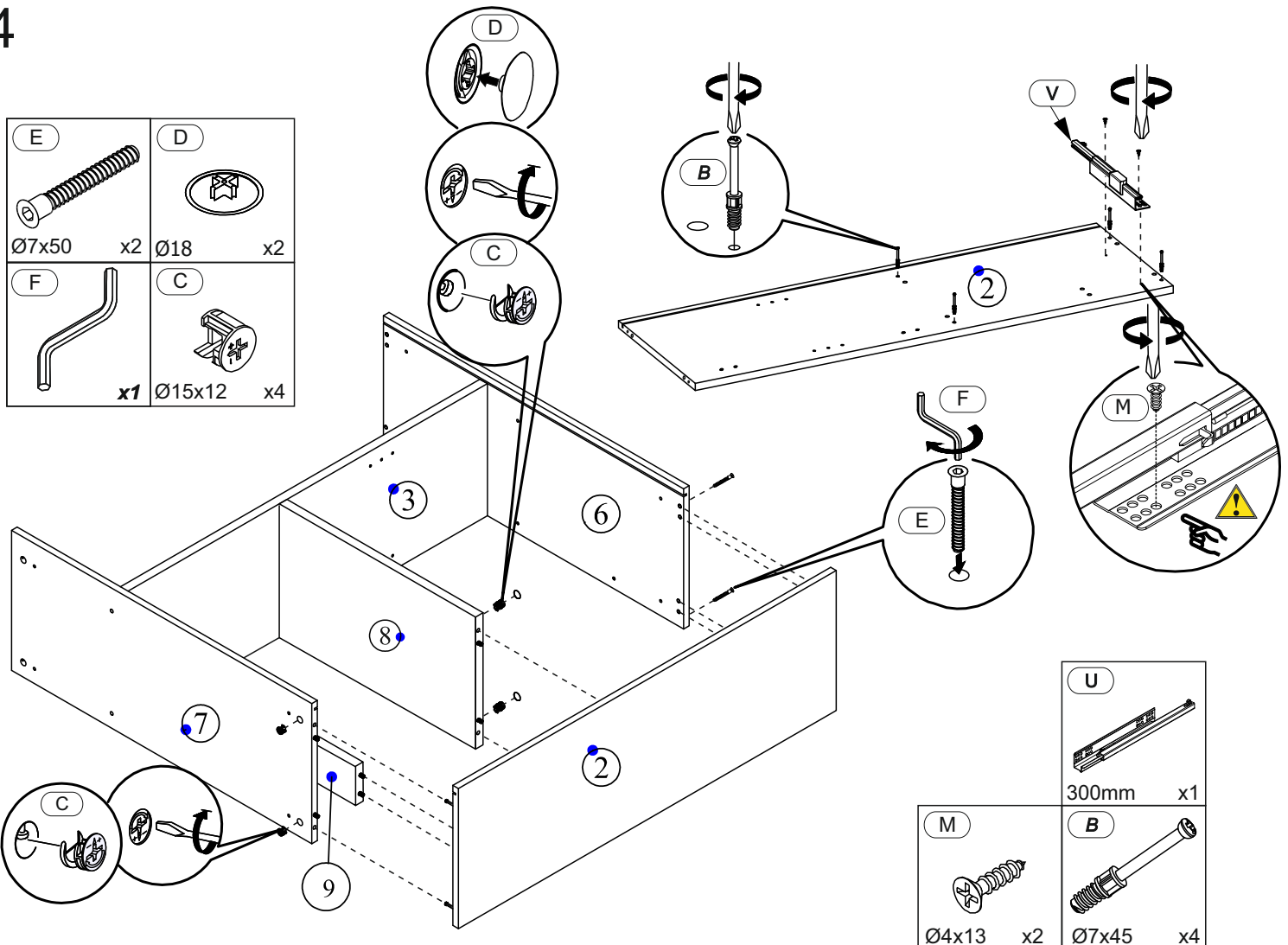
<p>F</p> <p>x1</p>	<p>E</p> <p>Ø7x50 x4</p>
---------------------------	---------------------------------

3



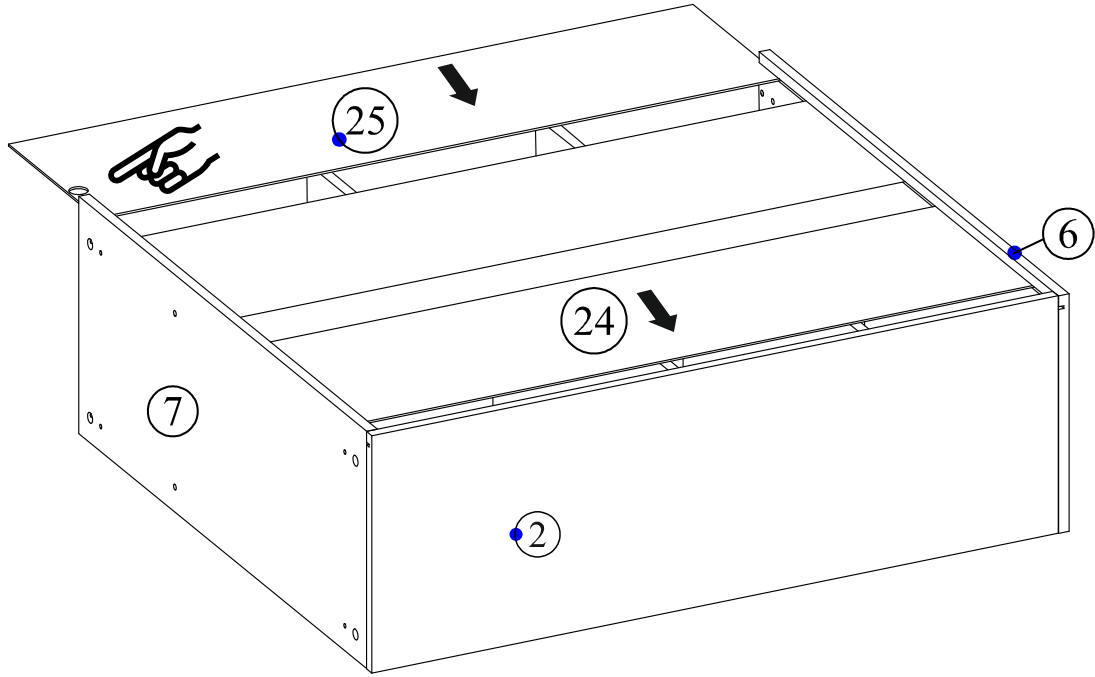
A	C	D
Ø8x30 x8	Ø15x12 x2	Ø18 x2

4

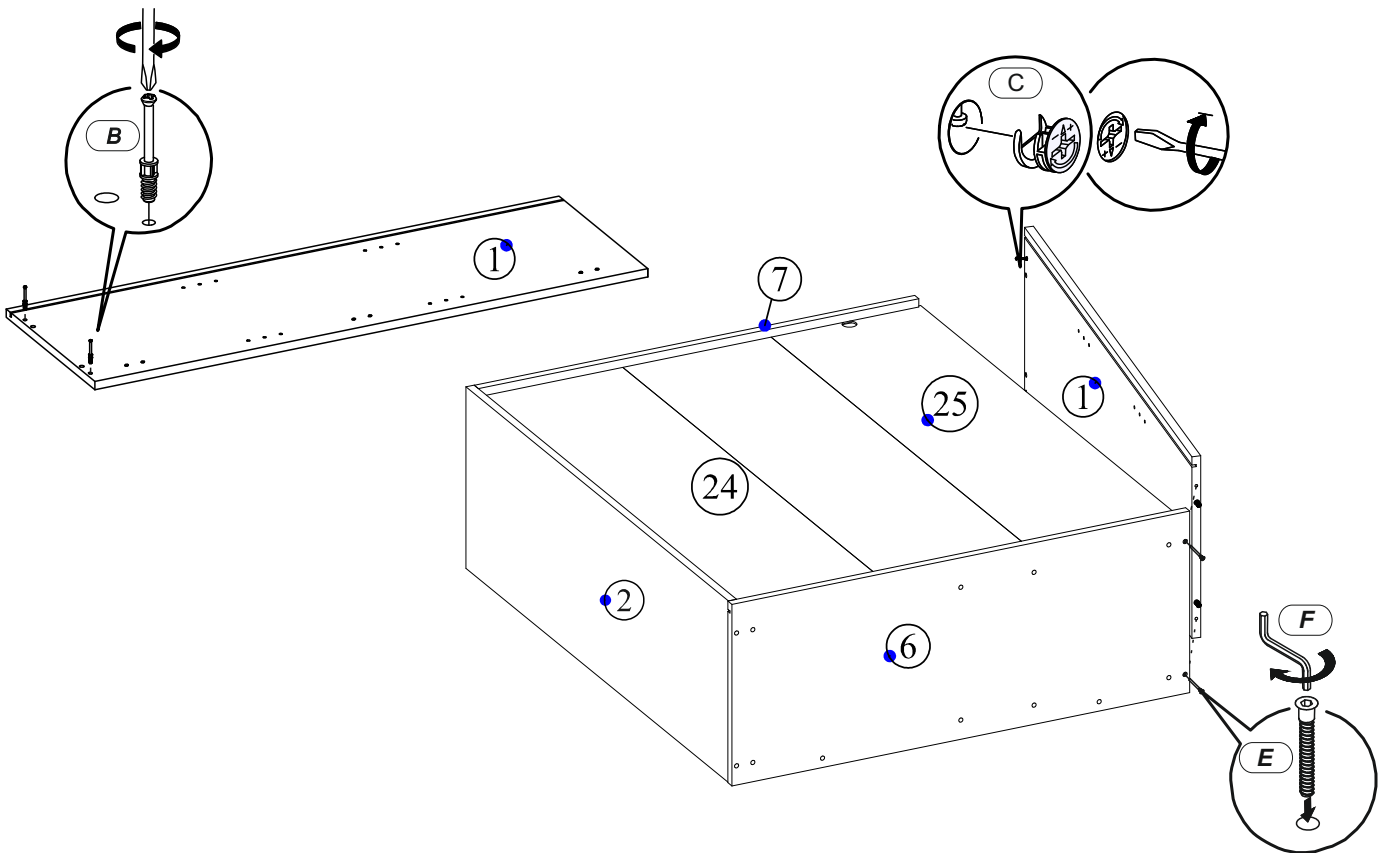



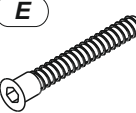
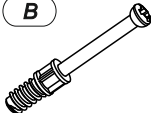

E	D
Ø7x50 x2	Ø18 x2
F	C
x1	Ø15x12 x4

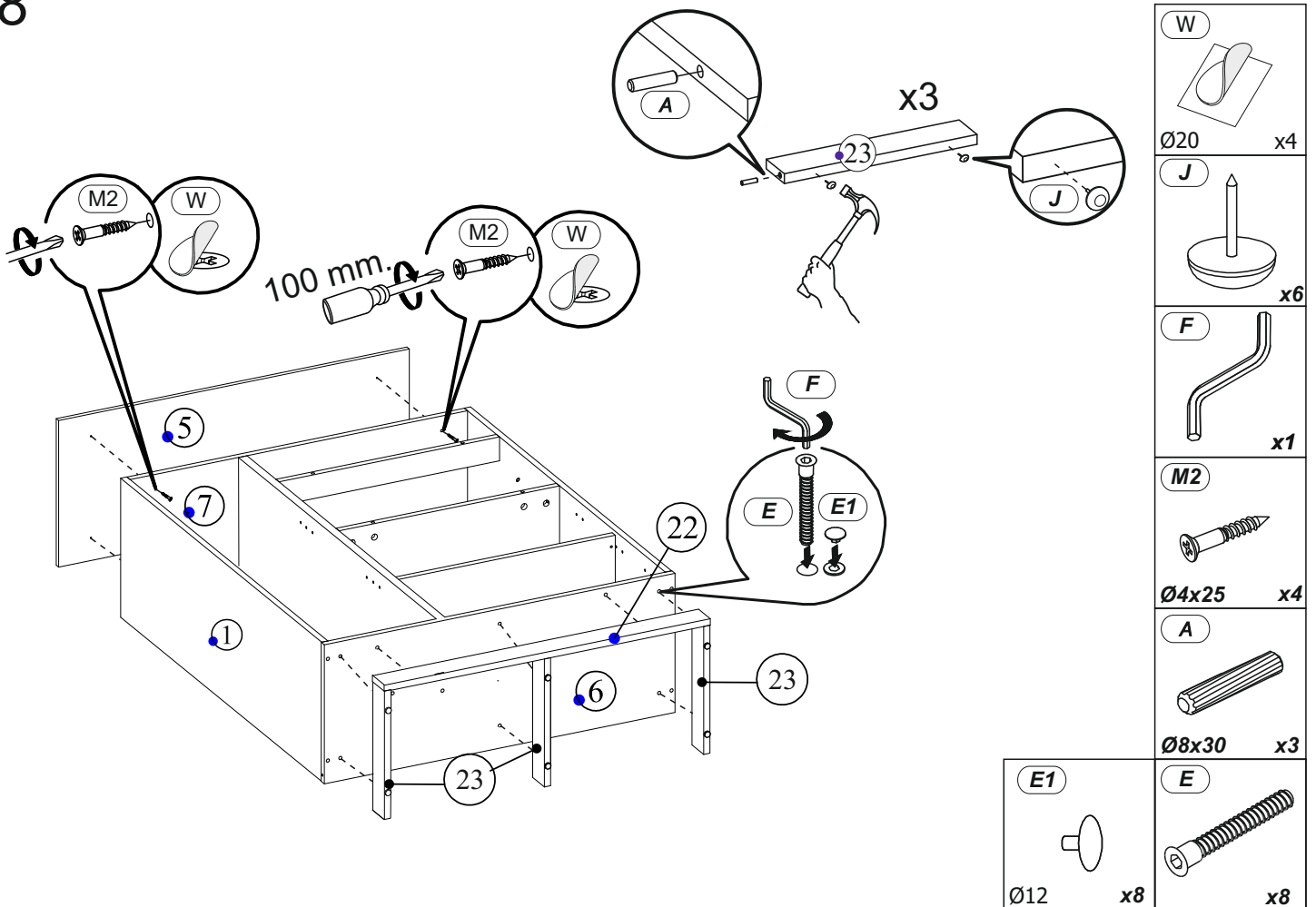
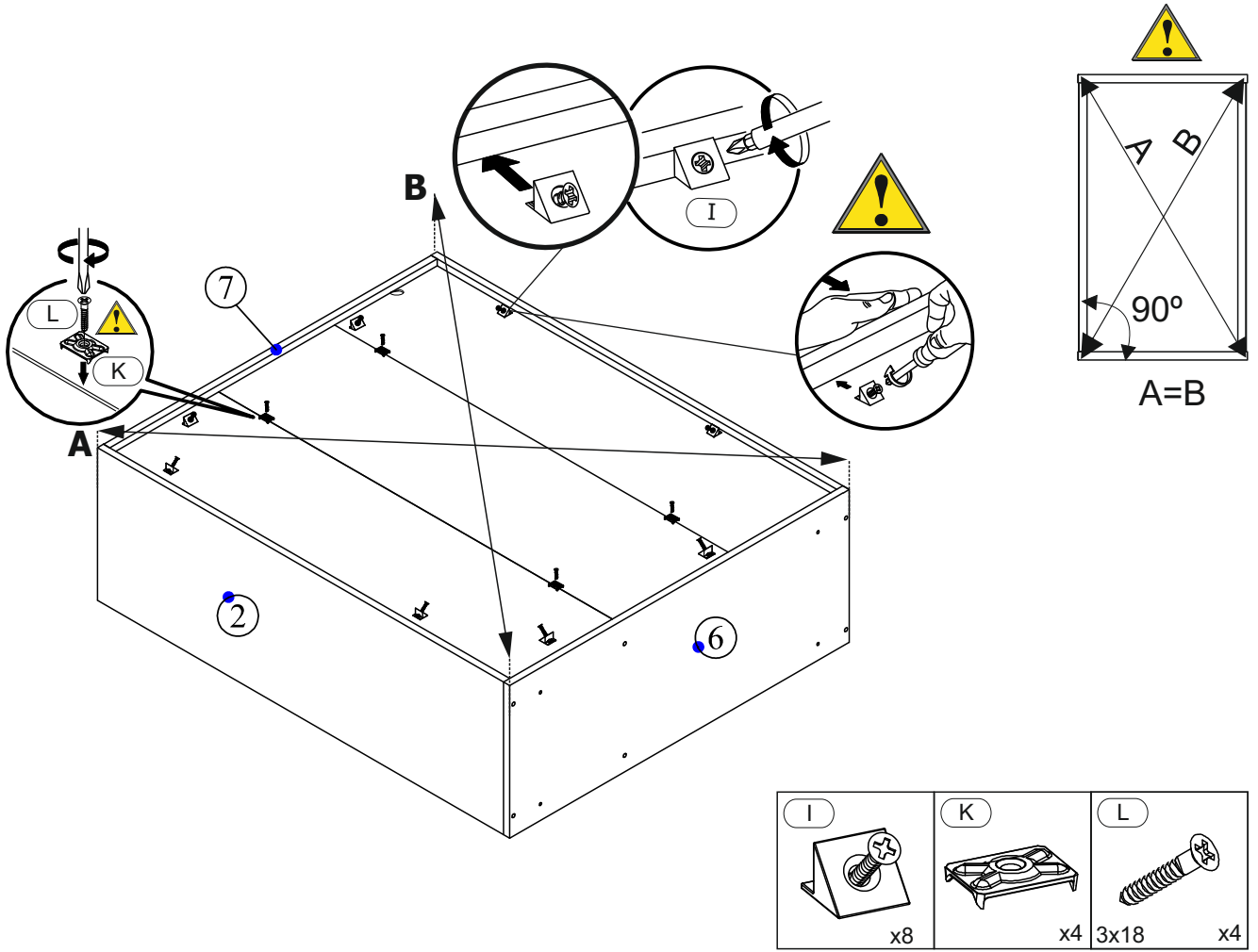
U	B
300mm x1	Ø7x45 x4
M	
Ø4x13 x2	

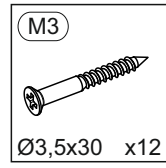
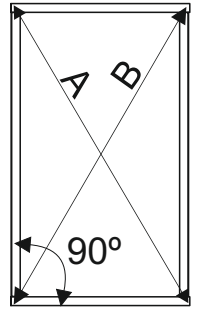
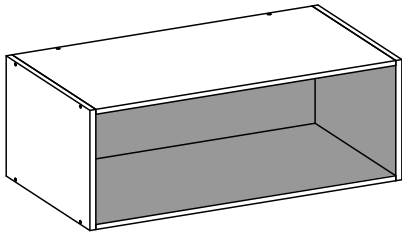


6

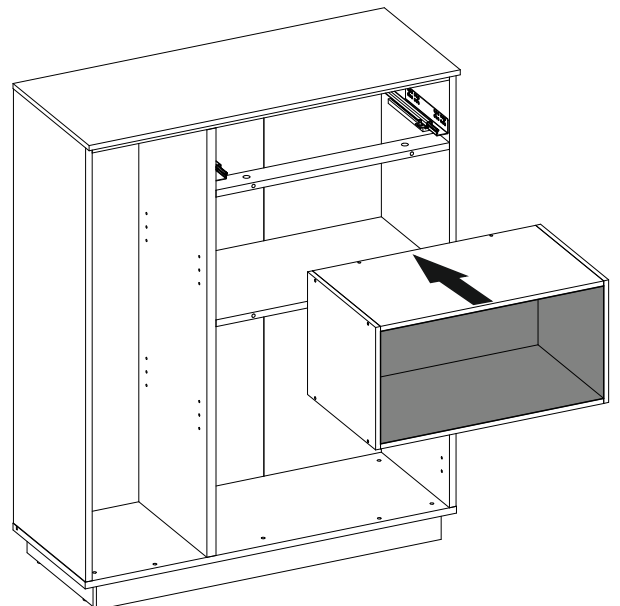
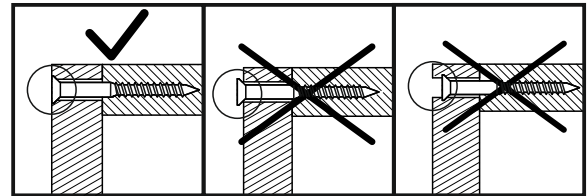
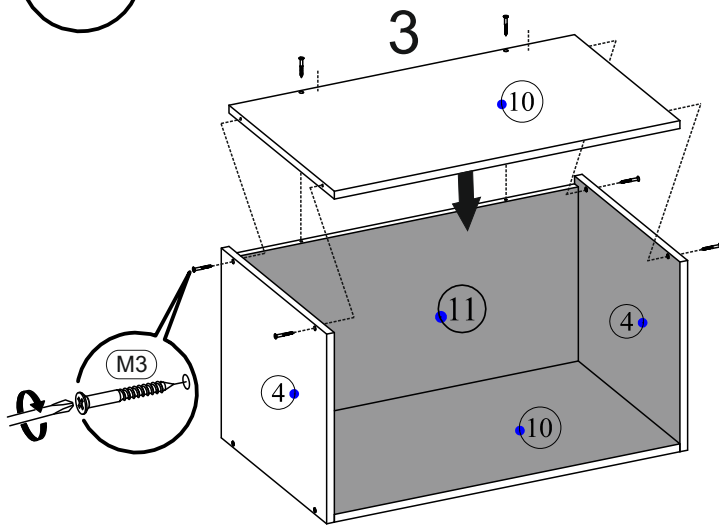
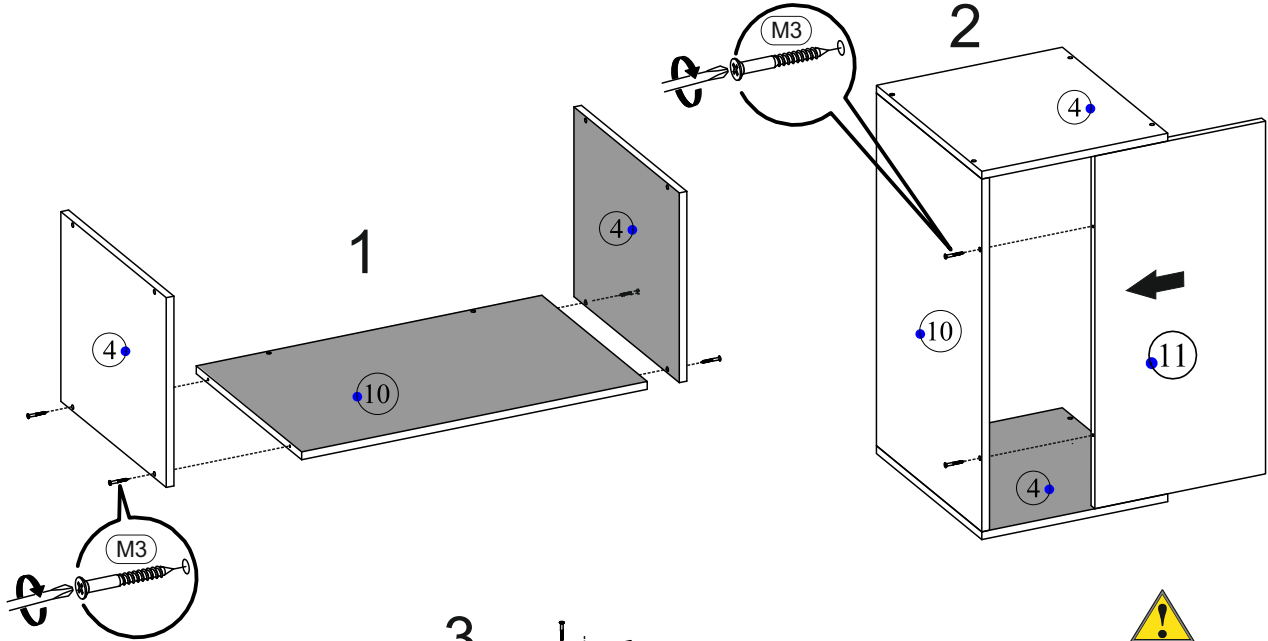


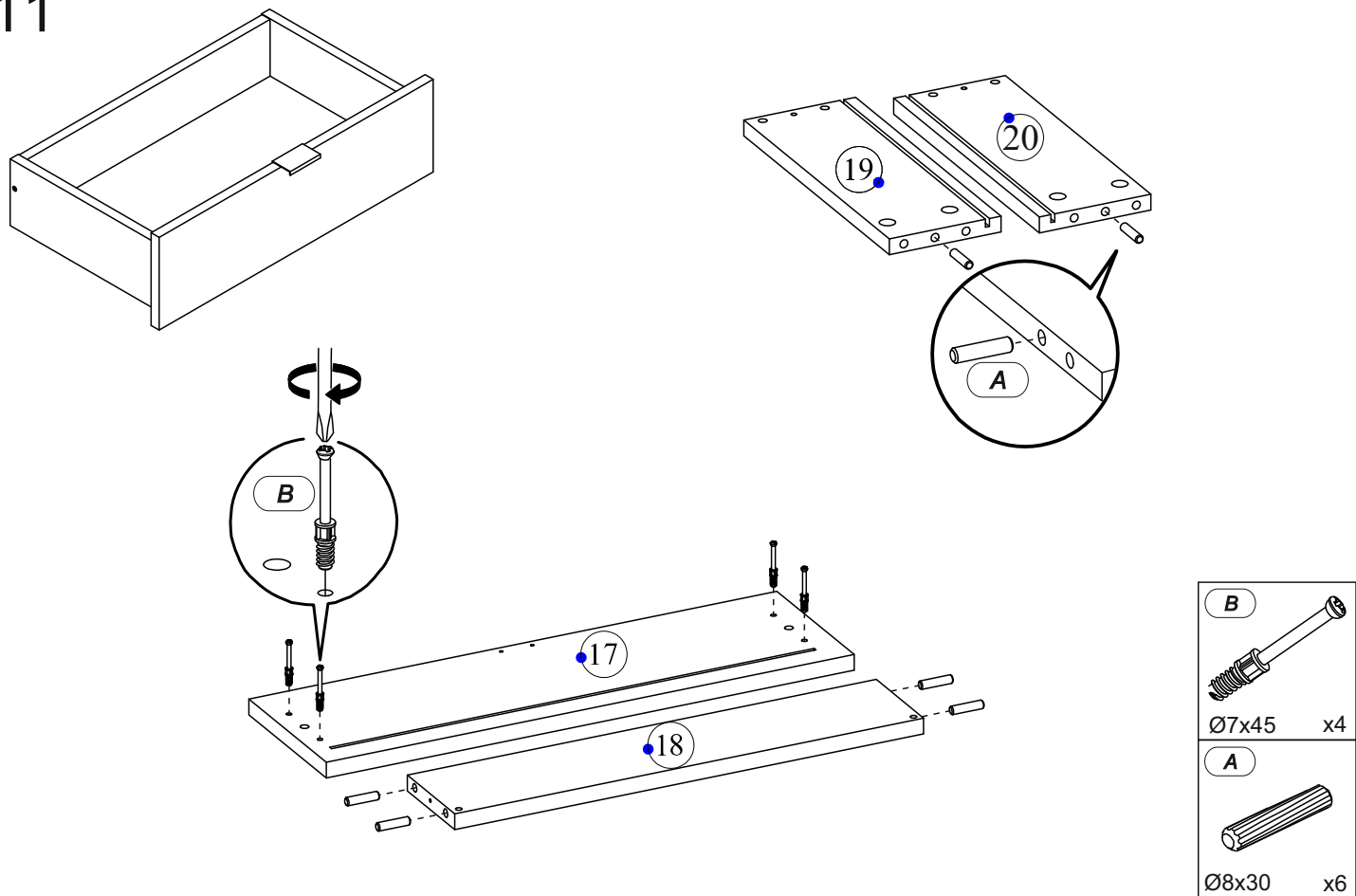
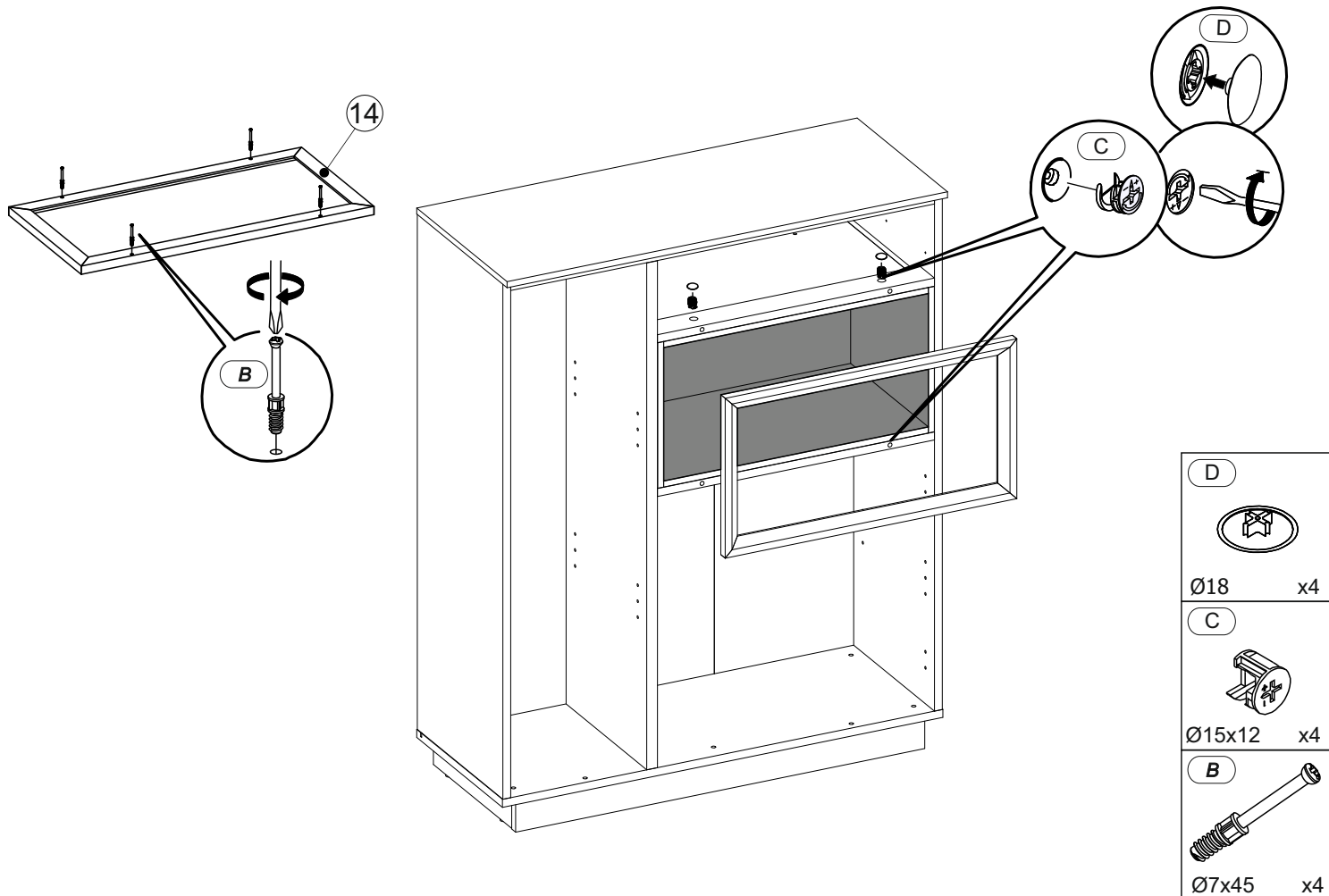
 <p>F</p> <p>x1</p>	 <p>E</p> <p>x2</p>	 <p>B</p> <p>Ø7x45 x2</p>	 <p>C</p> <p>Ø15x12 x2</p>
---	---	---	--

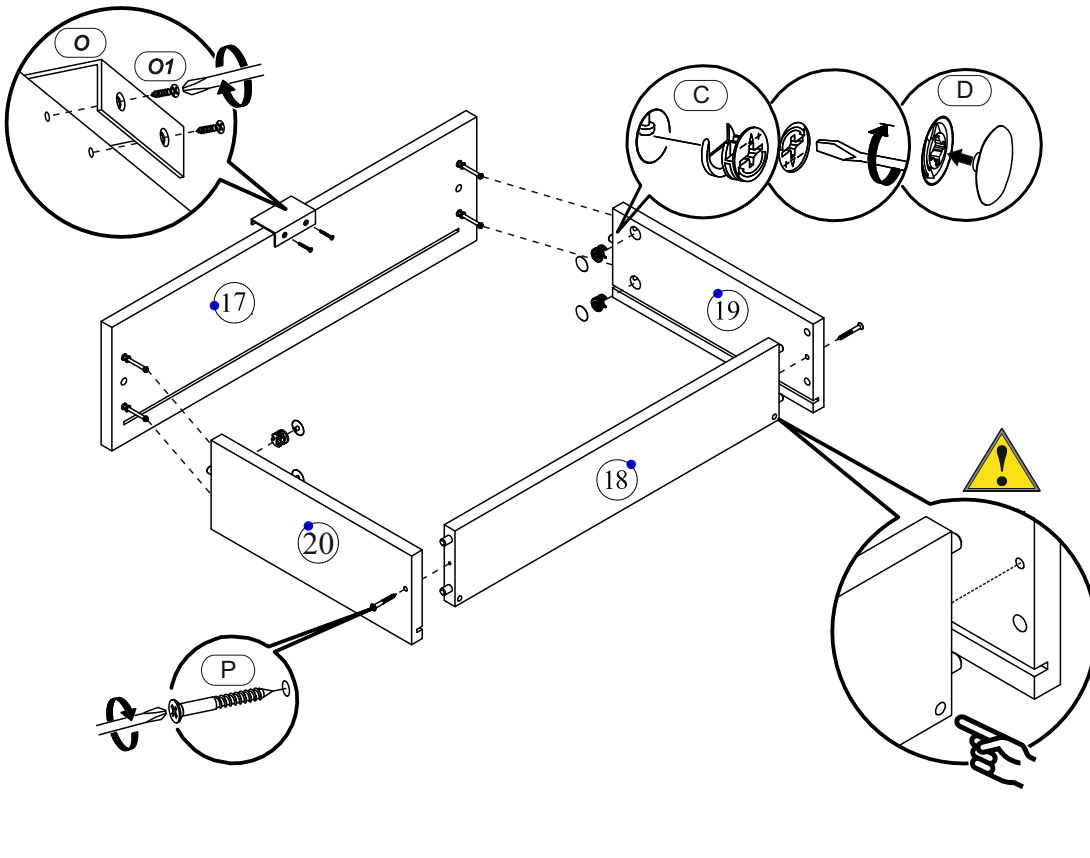


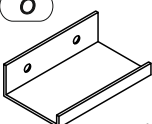


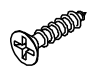
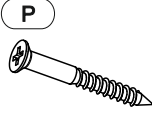


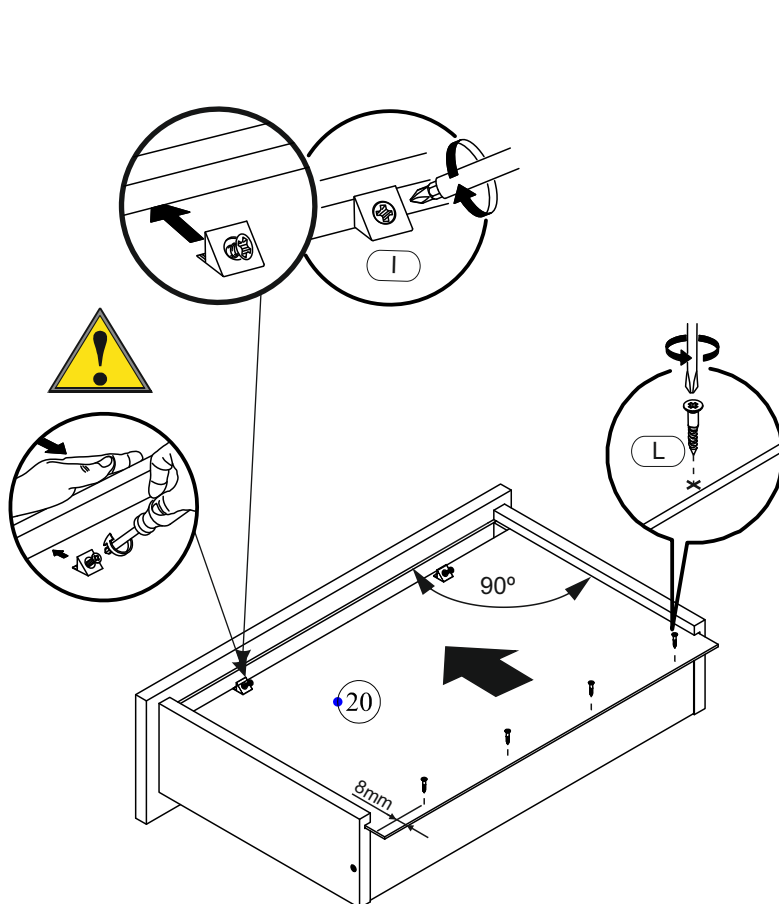
A=B





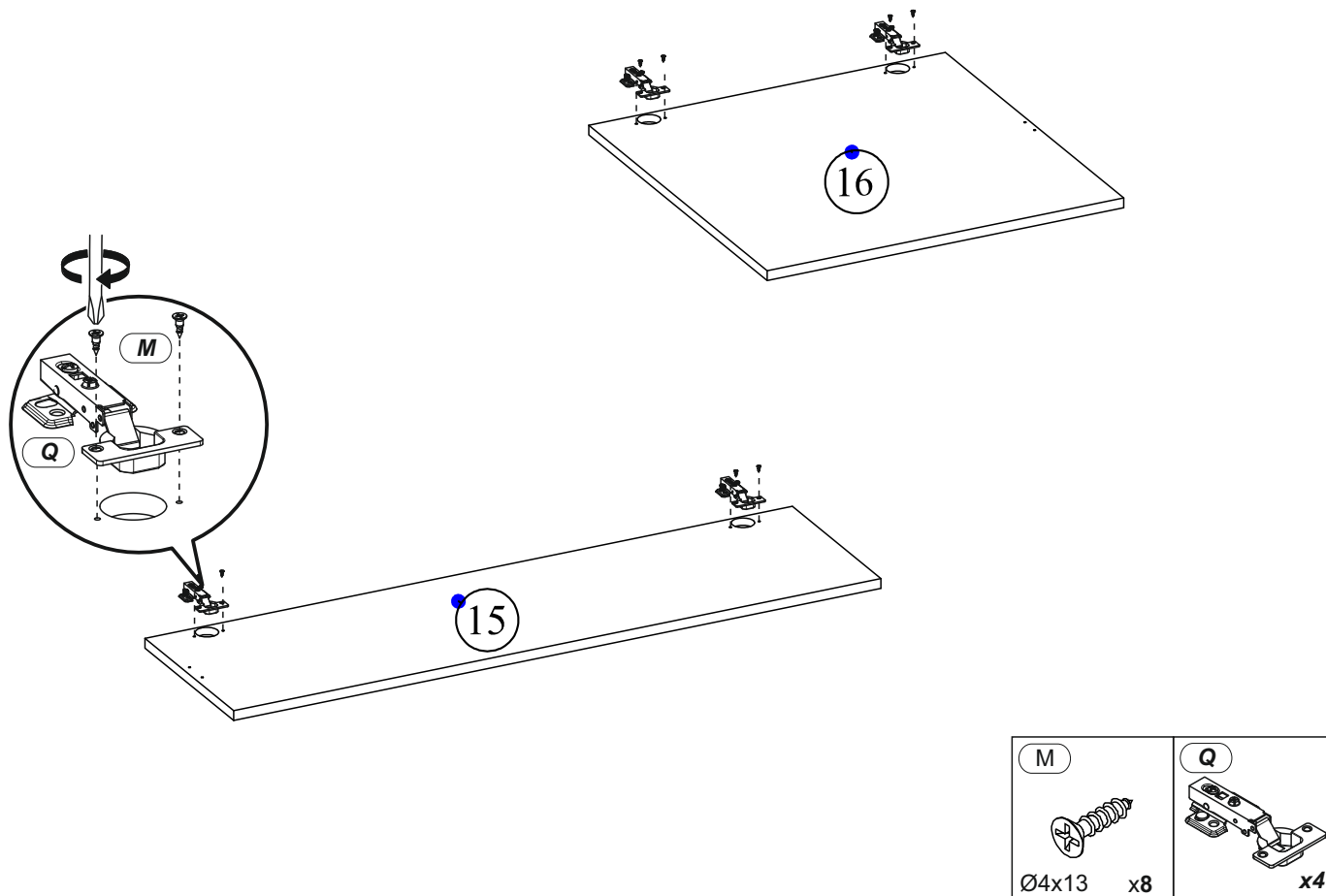
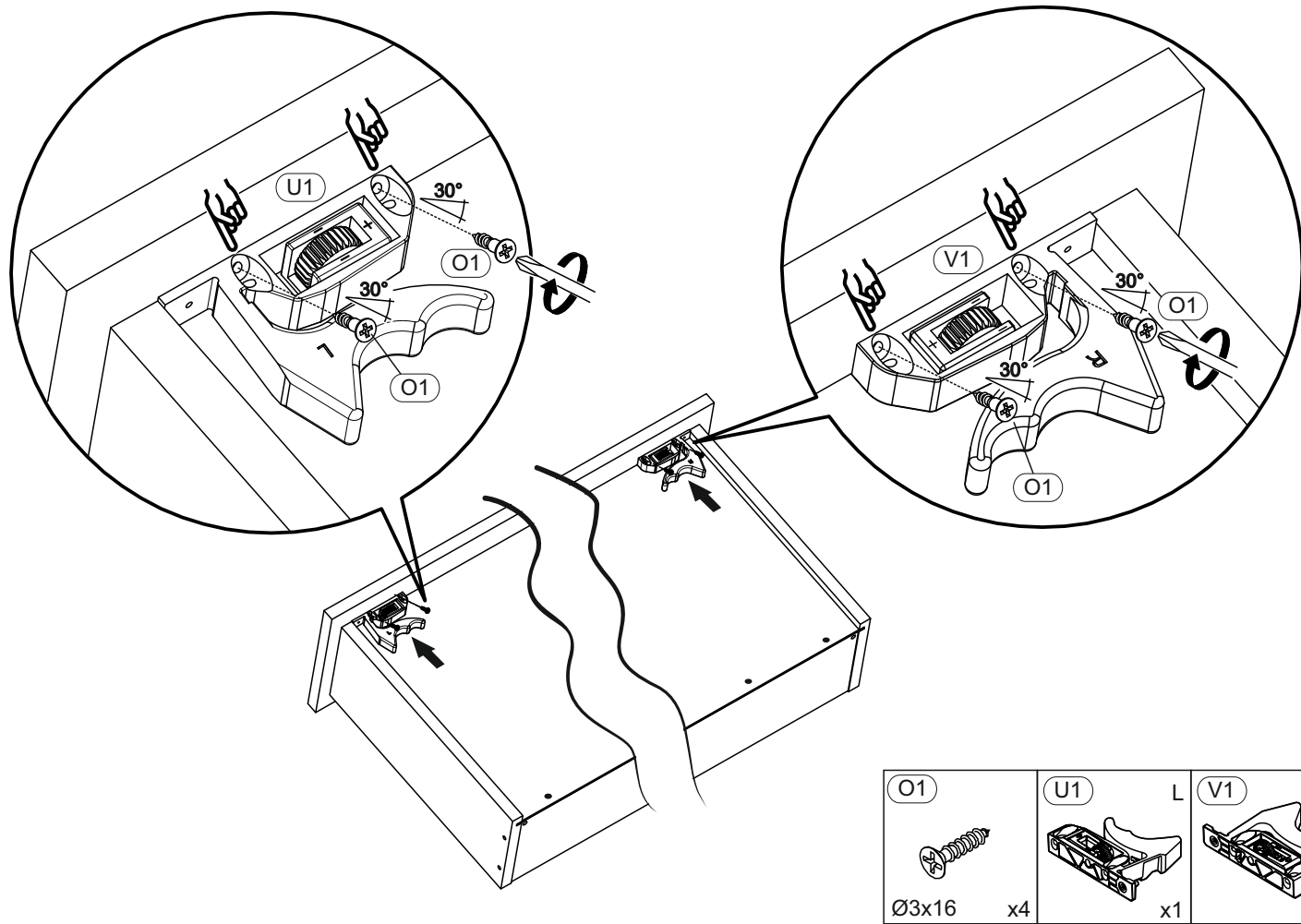


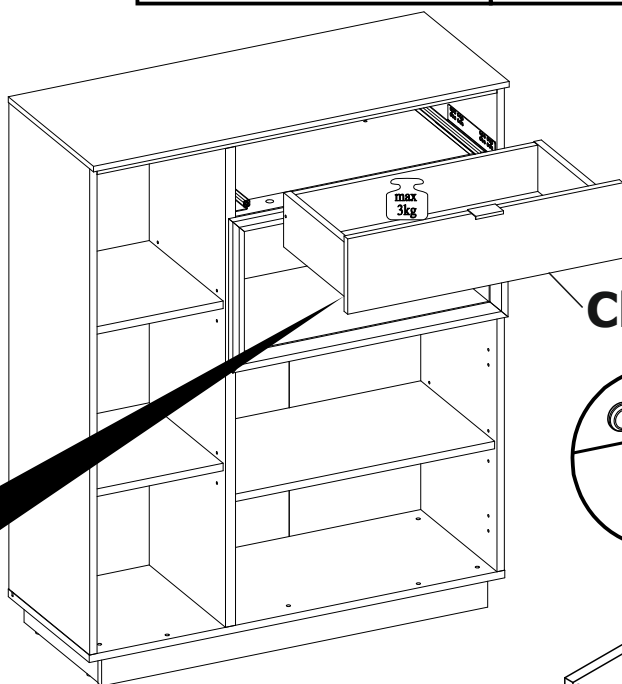
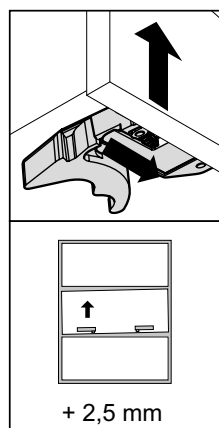
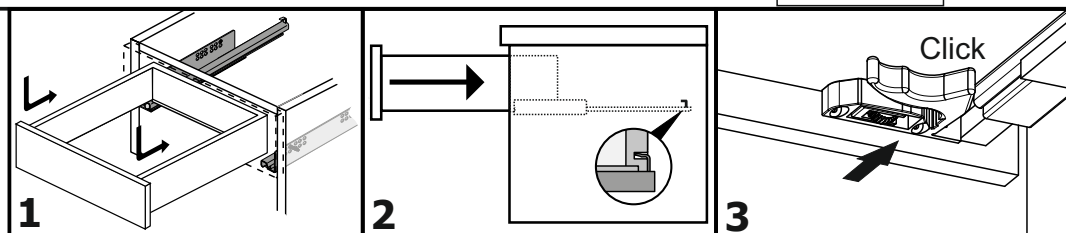
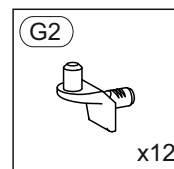
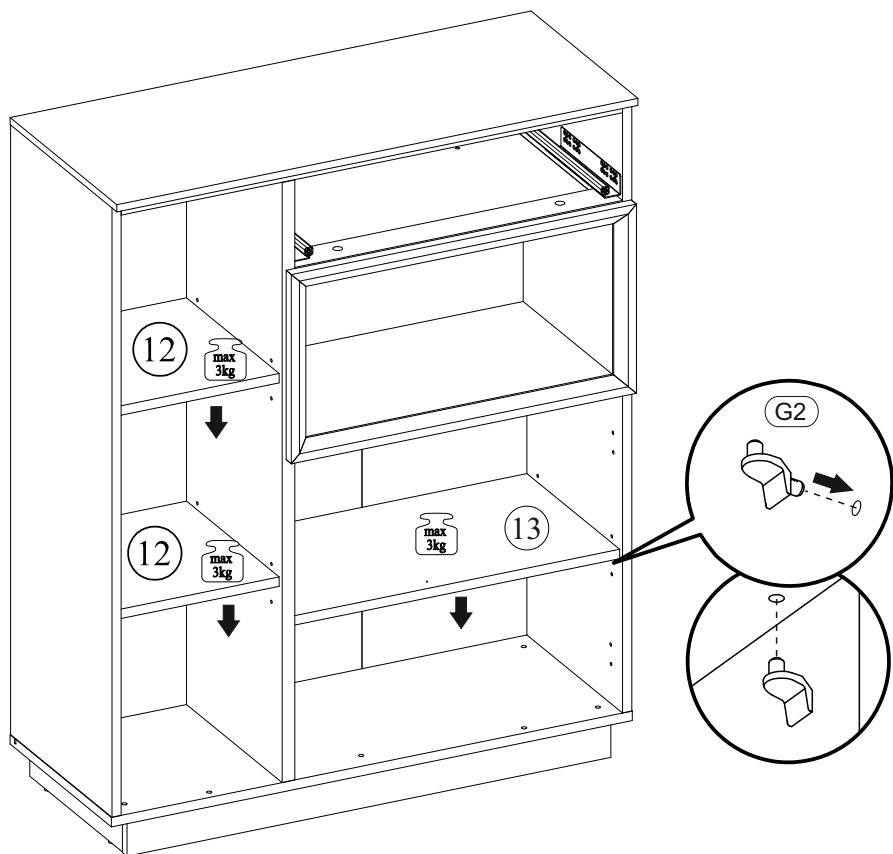


- O  x1
- C  $\varnothing 15 \times 12$ x4
- D  $\varnothing 18$ x4
- O1  $\varnothing 3 \times 16$ x2
- P  $\varnothing 4 \times 35$ x2



- I  x2
- L  3x18 x4





Click

