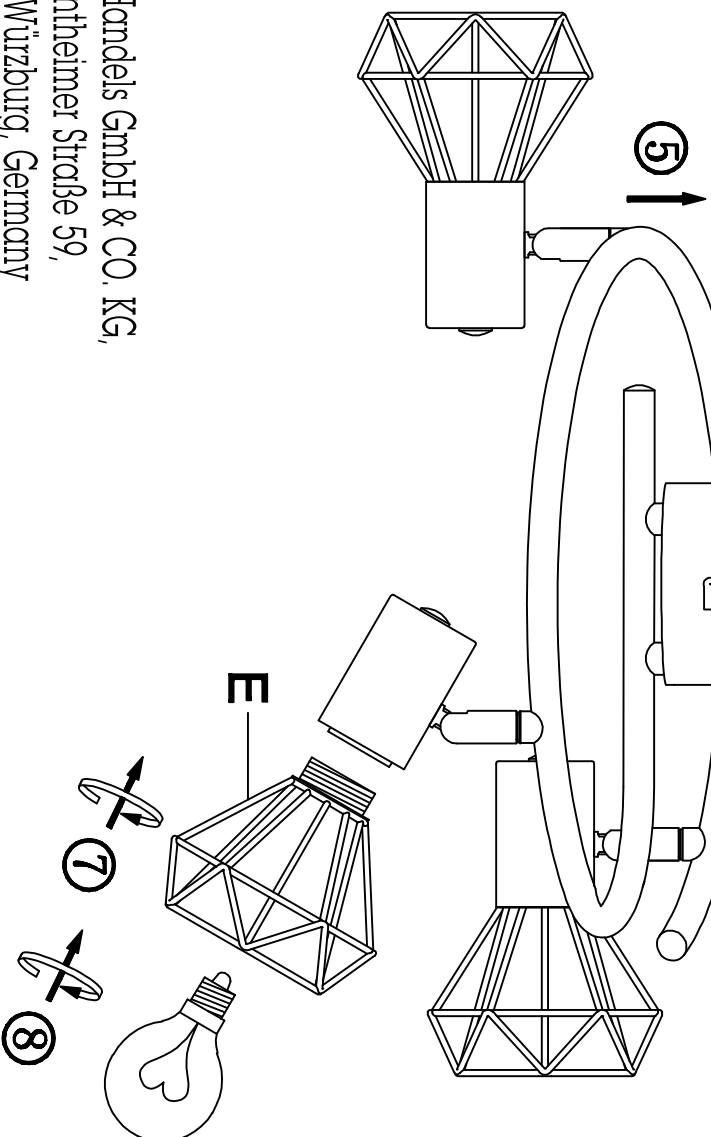
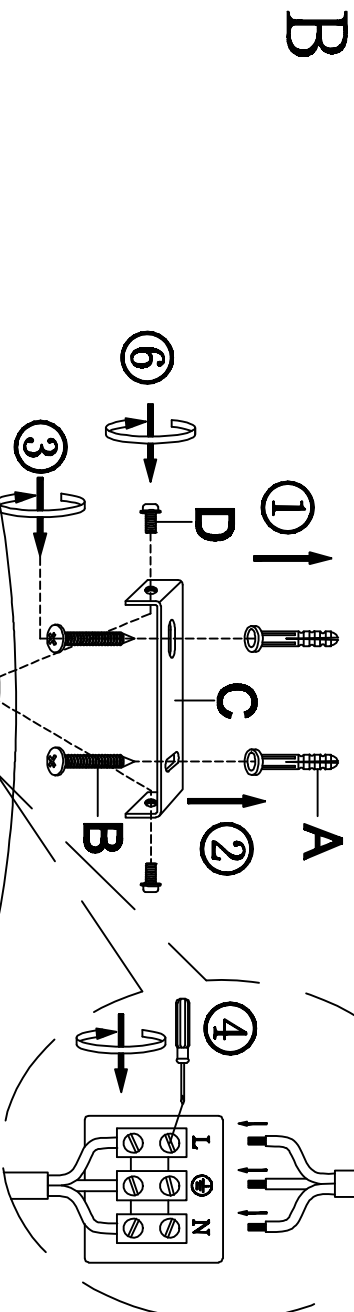
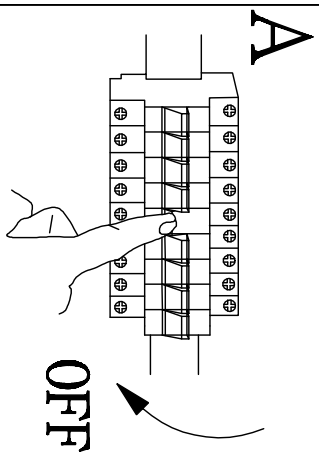
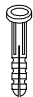

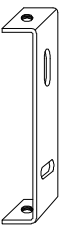

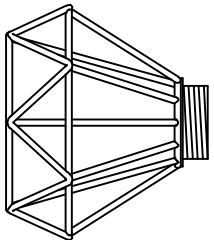


81810416-03



Spare Parts	
Code	Part
A	 x 2 PCS
B	 x 2 PCS
C	 x 1 PCS
D	 x 2 PCS
E	 x 3 PCS

