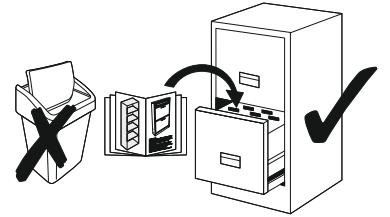
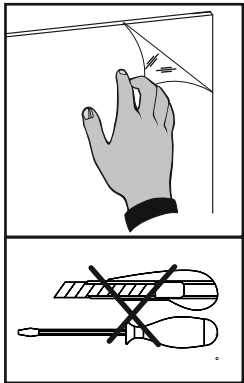
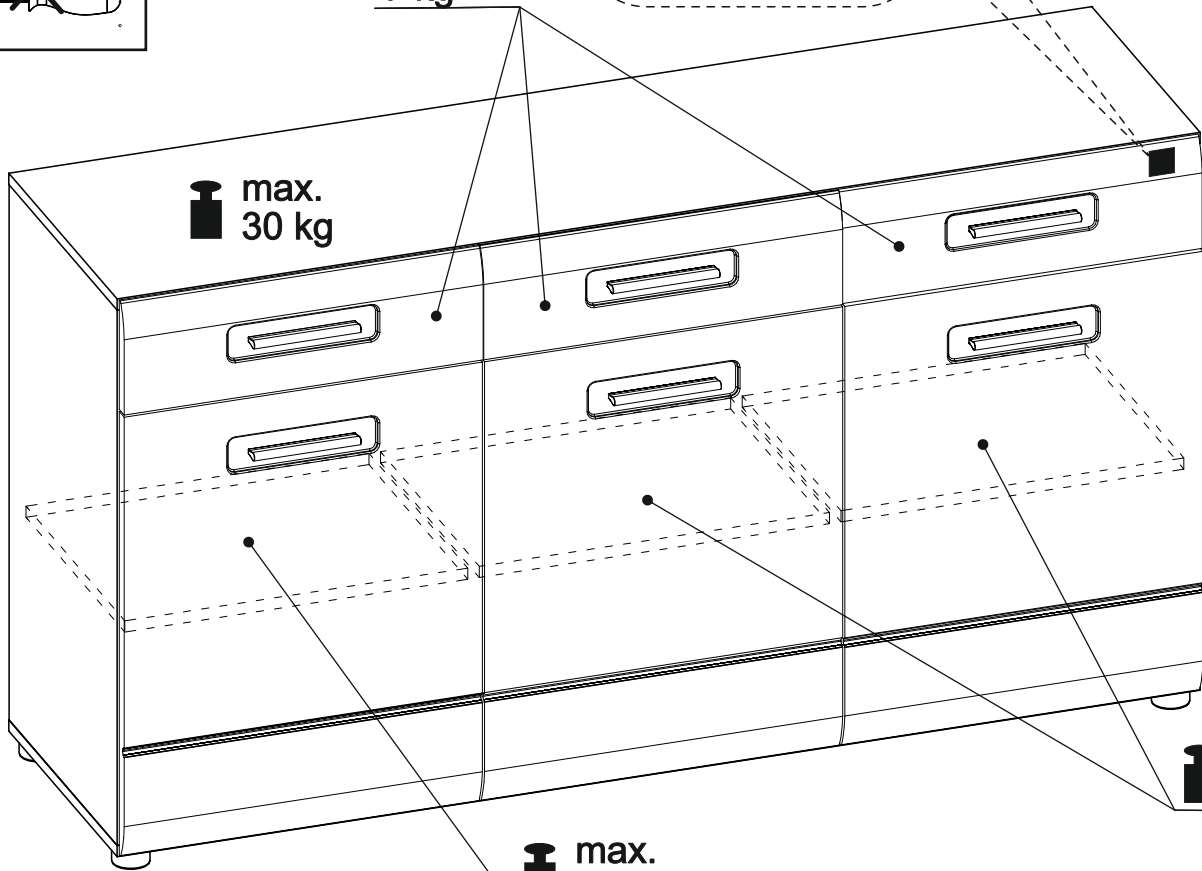


AVENSIS NEW 23



max.
7 kg

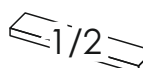
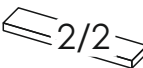
max.
30 kg



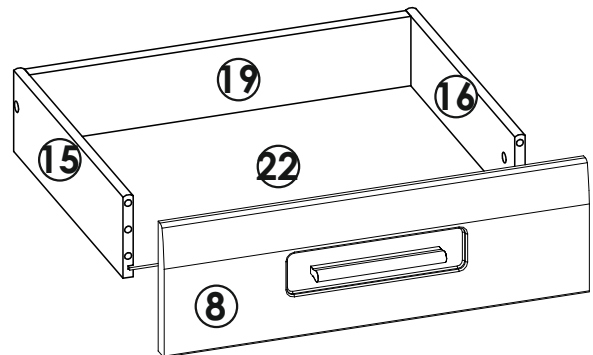
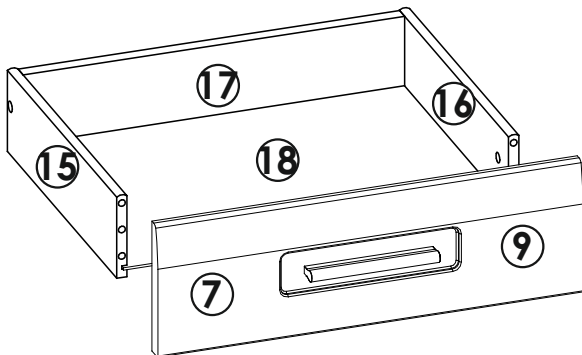
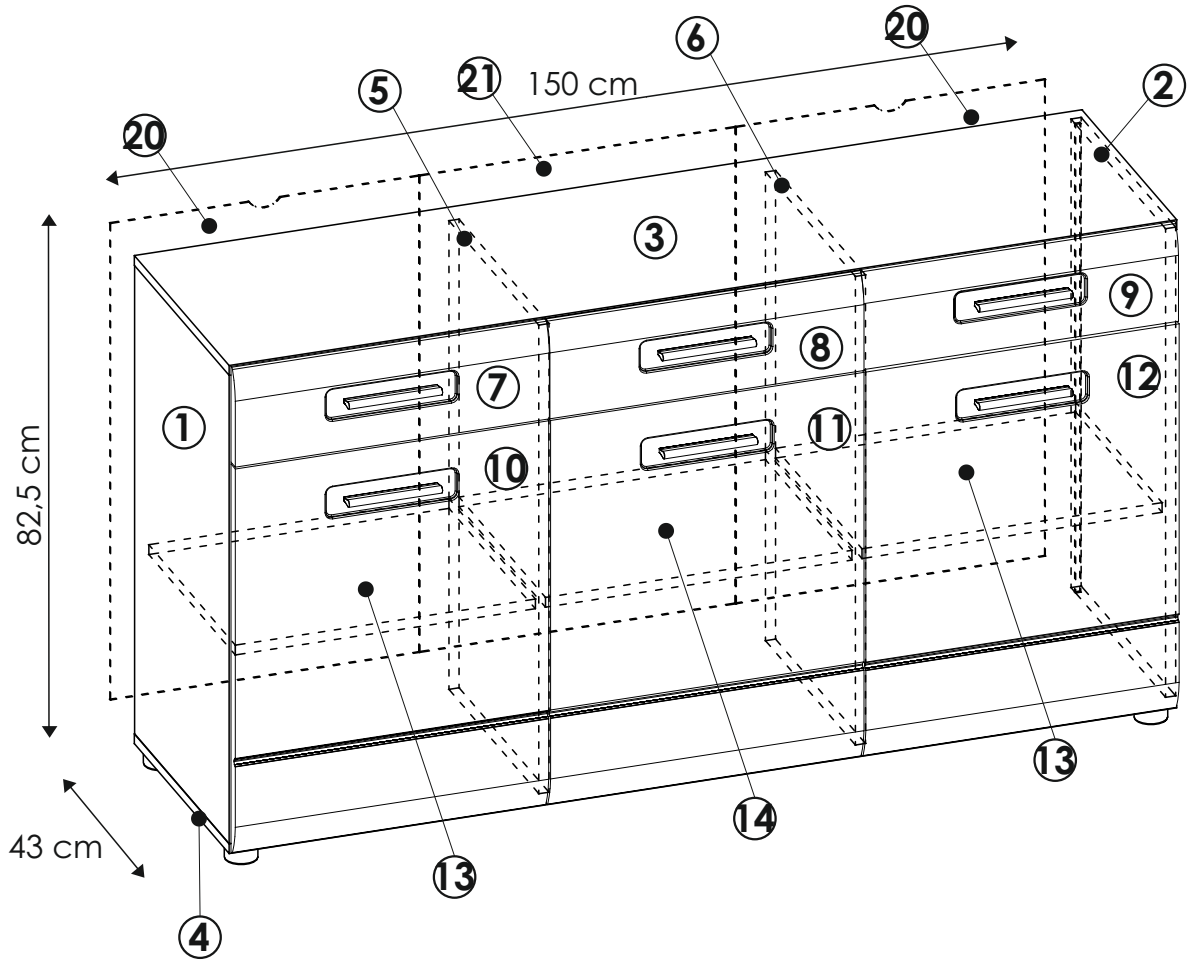
max.
5 kg

max.
5 kg




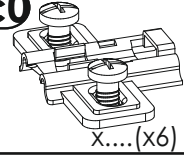
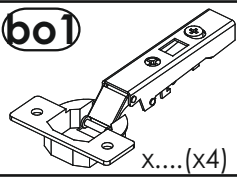

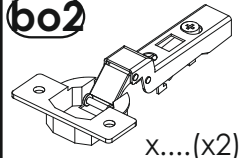


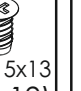





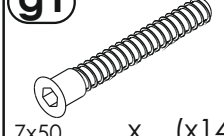
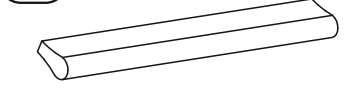
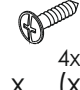


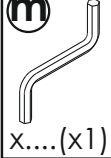

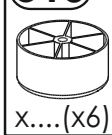
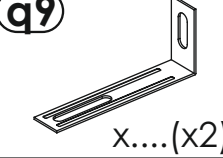
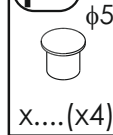
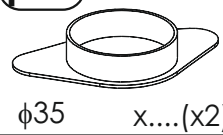
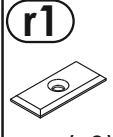

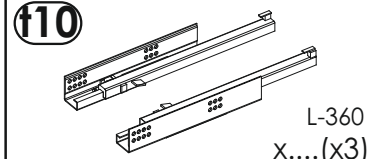
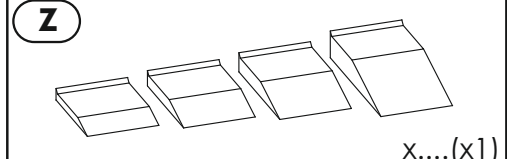
- | | | | | | | |
|--------|--------|--------|--------|--------|--------|--|
| ① - C1 | ⑥ - C2 | ⑪ - C2 | ⑬ - C1 | ⑰ - C1 | ⑲ - C1 | |
| ② - C1 | ⑦ - C2 | ⑫ - C2 | ⑭ - C1 | ⑱ - C1 | ⑳ - C2 | |
| ③ - C1 | ⑧ - C2 | ⑬ - C1 | ⑯ - C1 | | | C1  |
| ④ - C1 | ⑨ - C2 | ⑭ - C1 | ⑰ - C1 | | | C2  |
| ⑤ - C2 | ⑩ - C2 | ⑮ - C1 | ⑳ - C2 | | | |

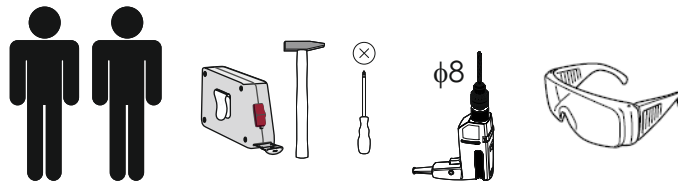
AVENSIS NEW 23

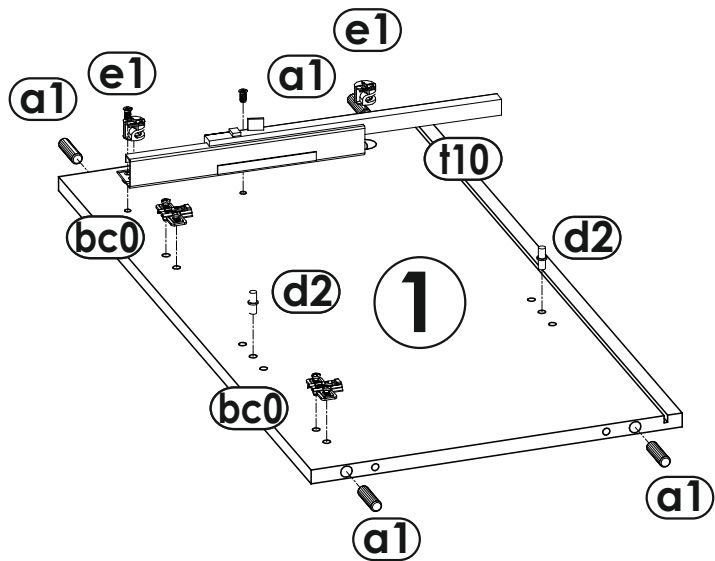
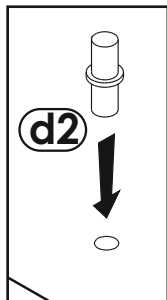
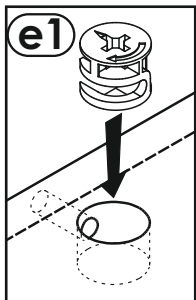
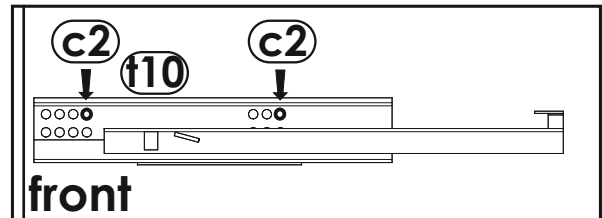
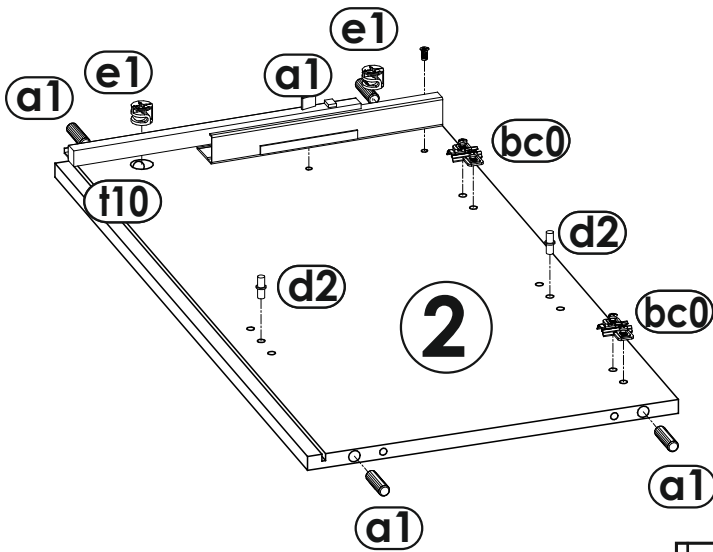
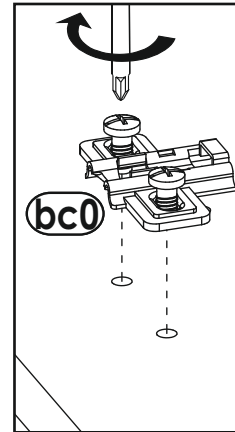
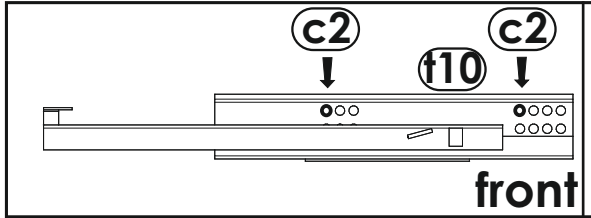
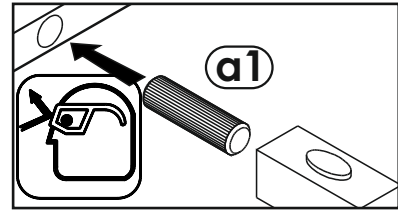
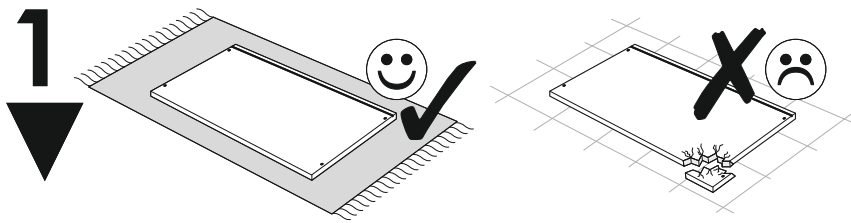


AVENSIS NEW 23

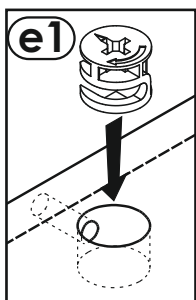
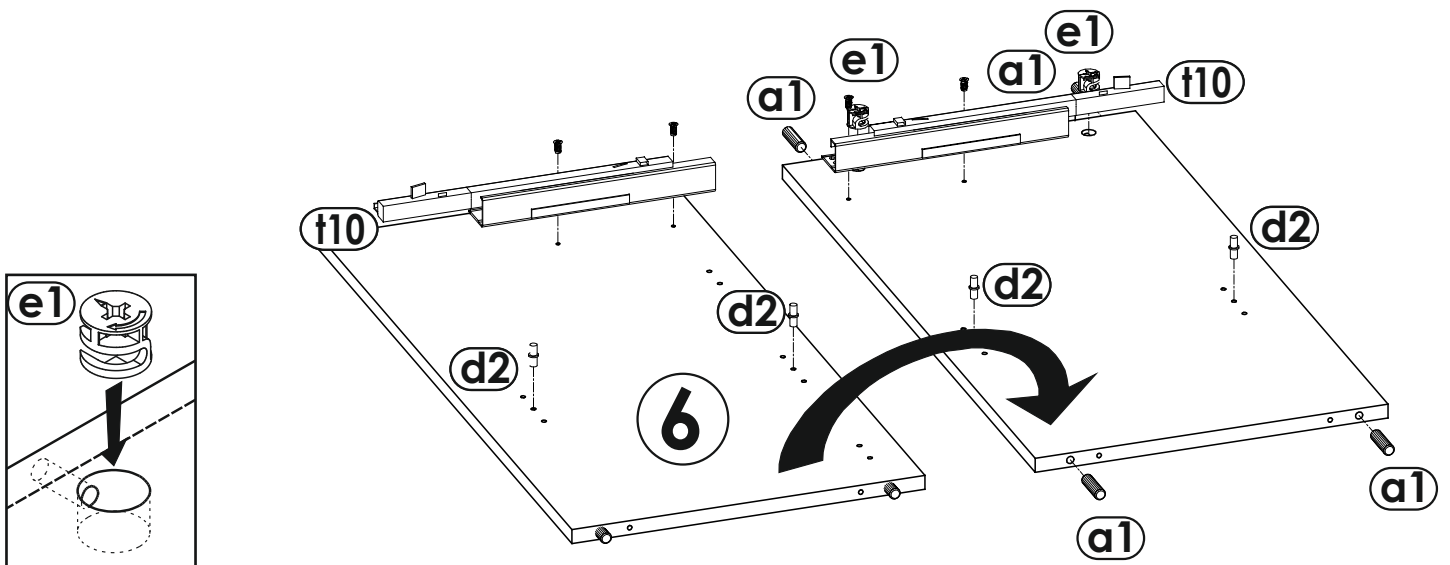
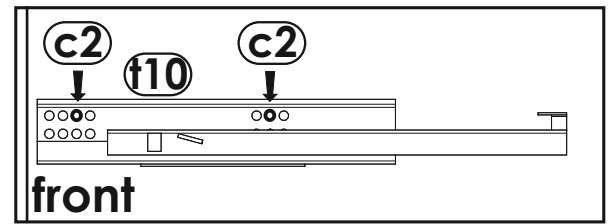
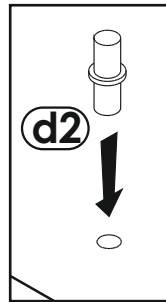
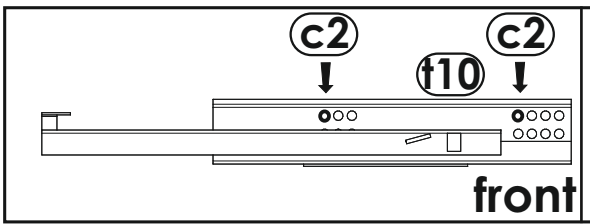
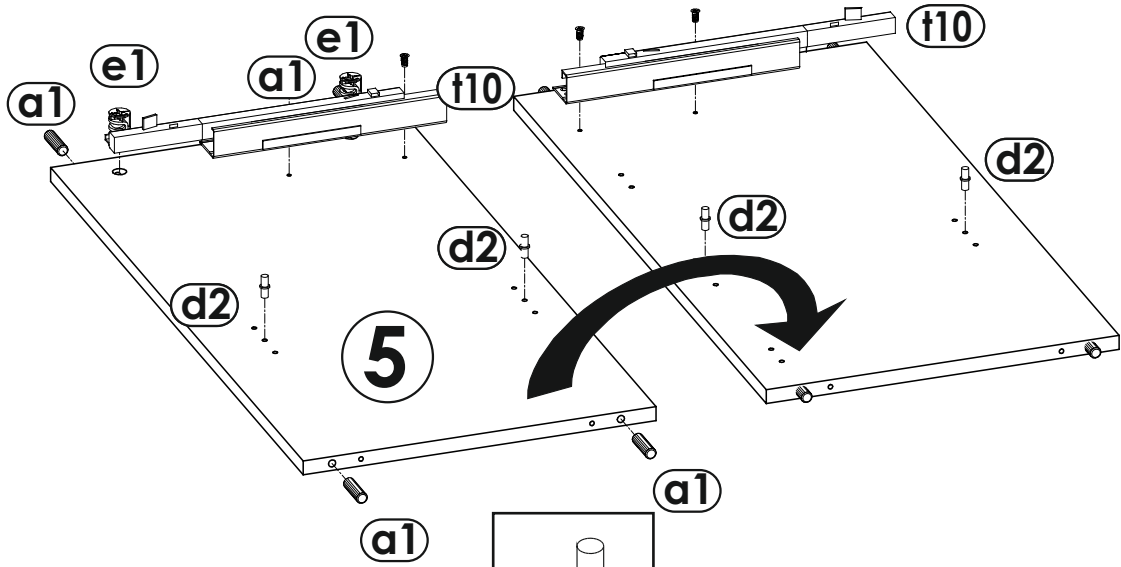
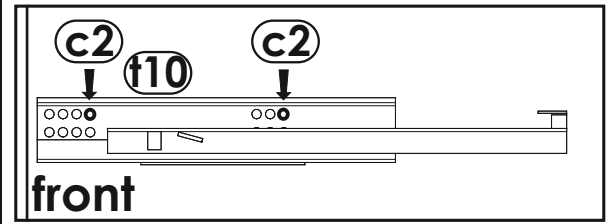
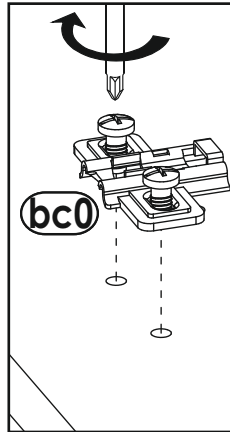
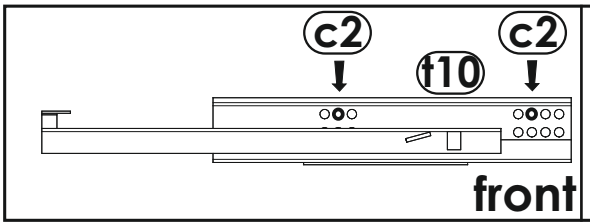
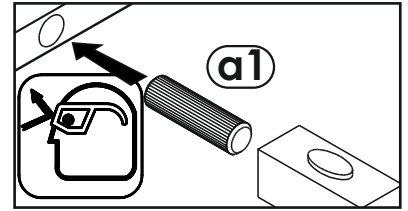
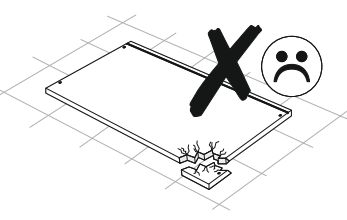
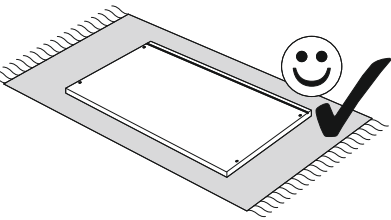


			a1  8x35 x...(x22)	bc0  x...(x6)	bo1  x...(x4)		
et  Luca BESSONI x...(x1)	bo2  x...(x2)	c1  Euro 4x13 x...(x12)	c2  Euro 5x13 x...(x12)	d2  x...(x12)	e0  x...(x8)	e1  x...(x8)	e3  x...(x6)
f1  x...(x14)	g0  x...(x14)	g1  7x50 x...(x14)	h1  x...(x6)	i2  4x16 x...(x2)	i4  3,5x27 x...(x12)		
i10  3,5x22 x...(x6)	m  x...(x1)	n1  3x16 x...(x30)	o15  x...(x6)	q9  x...(x2)	p0  φ5 x...(x4)	p20  φ35 x...(x2)	
r1  x...(x8)	r4  x...(x13)	f10  L-360 x...(x3)	z  x...(x1)				

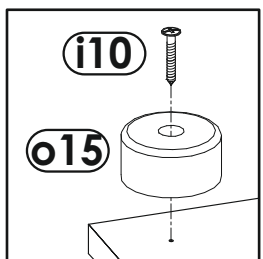
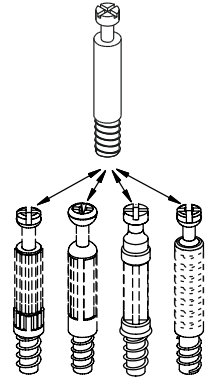
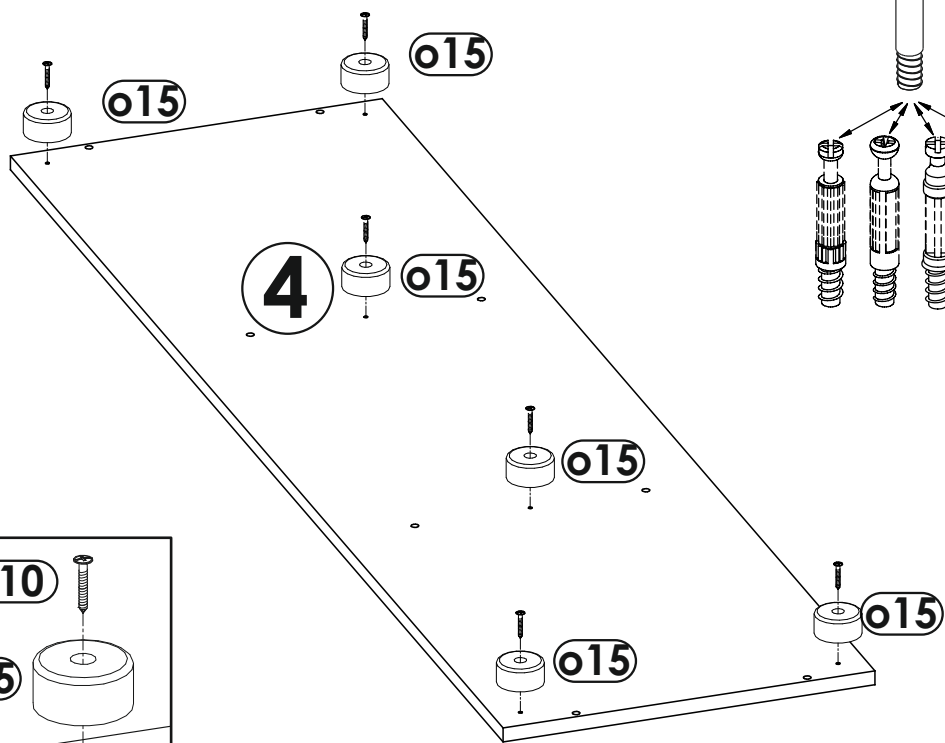
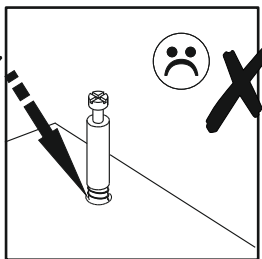
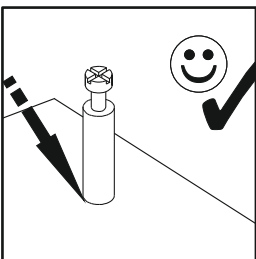
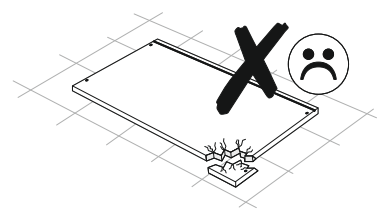
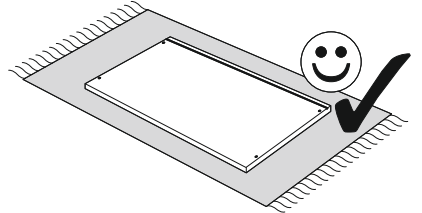
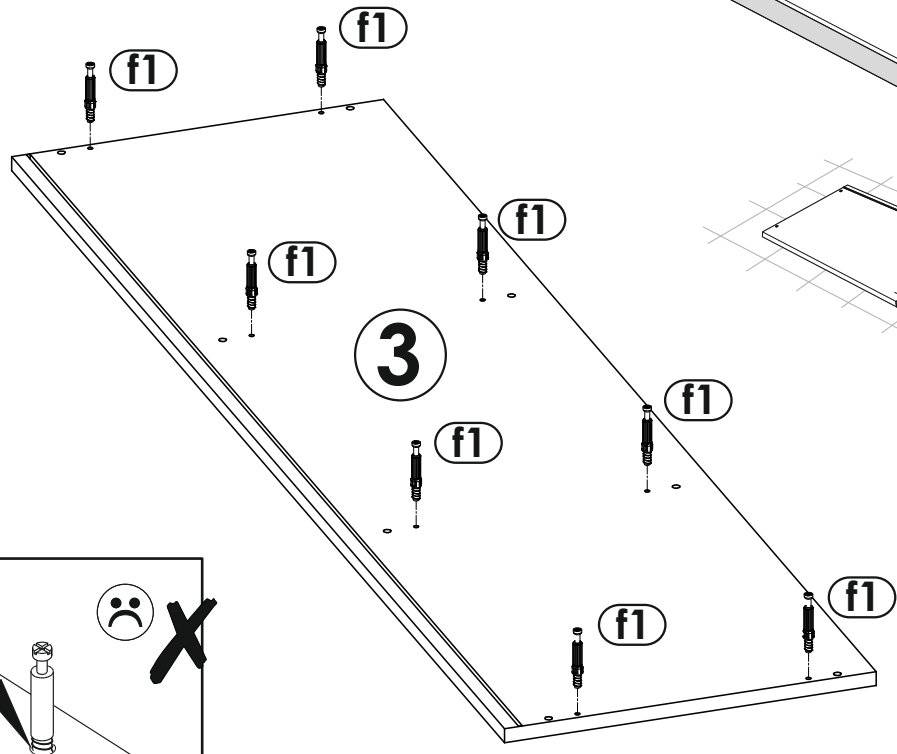
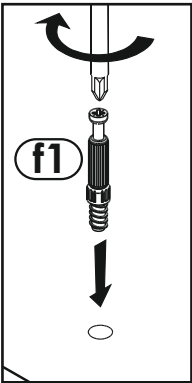




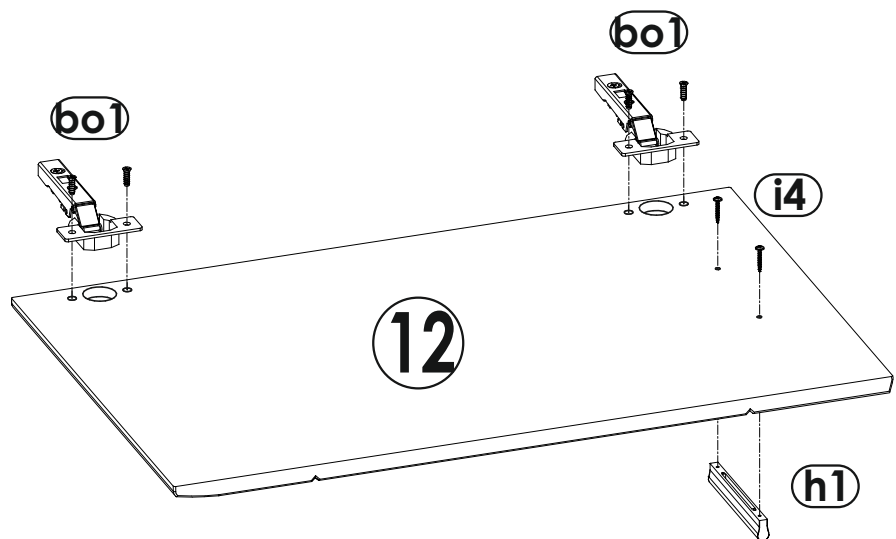
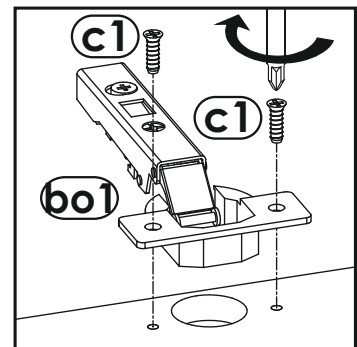
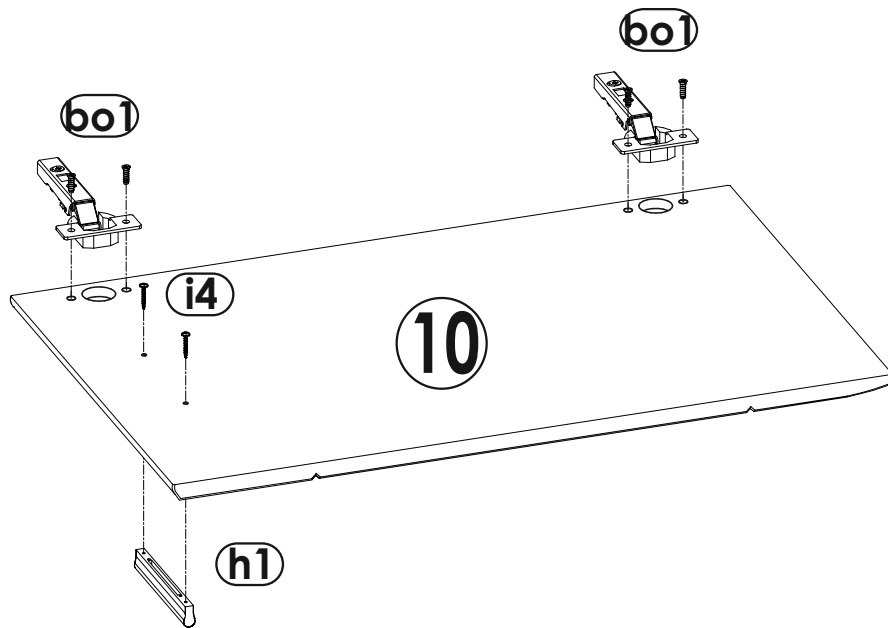
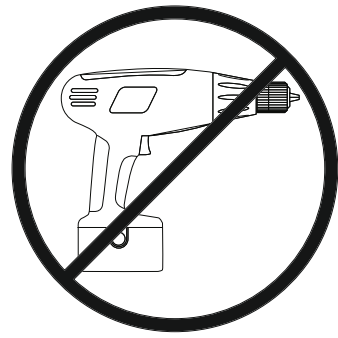
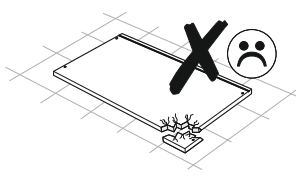
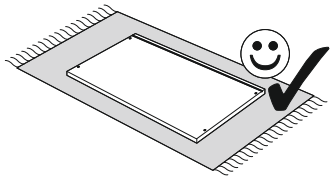
2



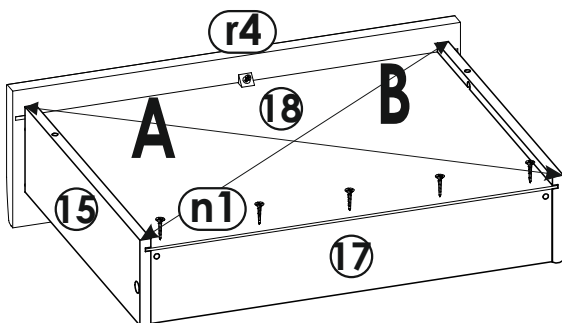
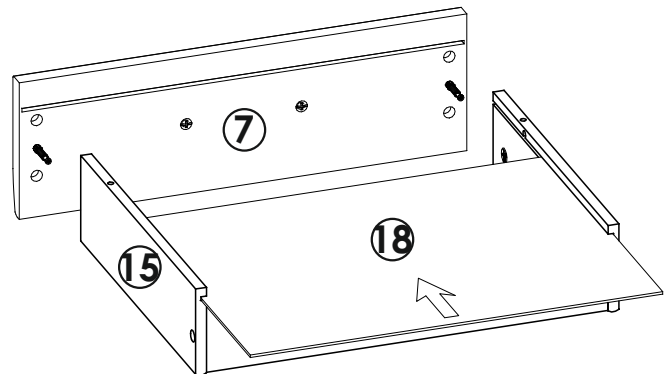
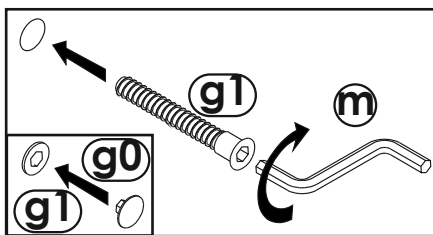
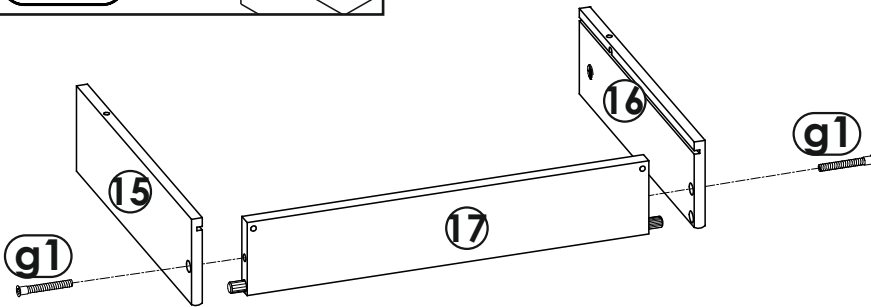
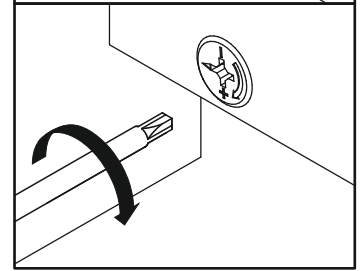
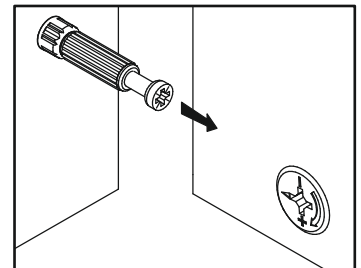
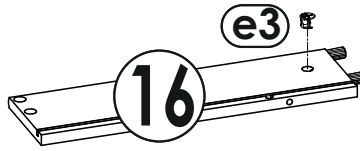
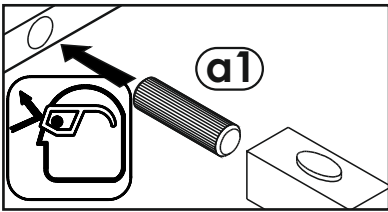
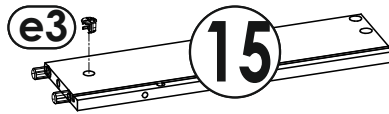
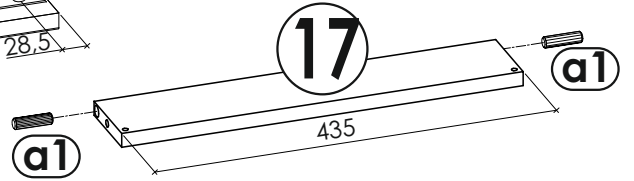
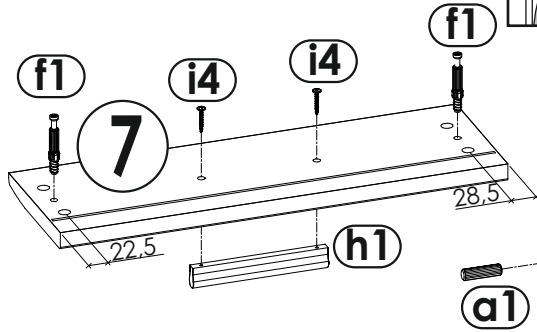
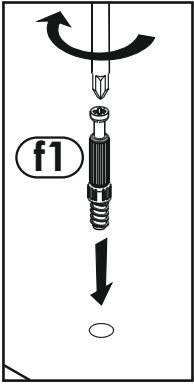
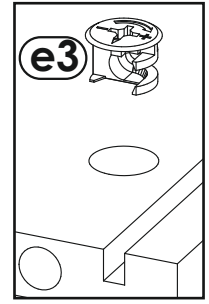
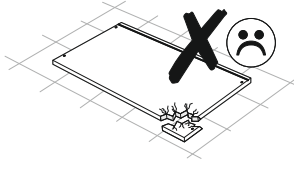
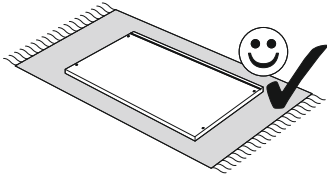
3



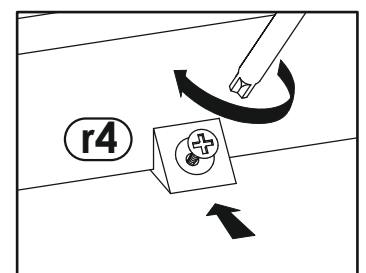
4
▼



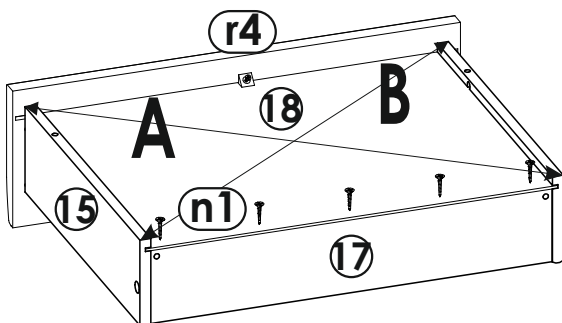
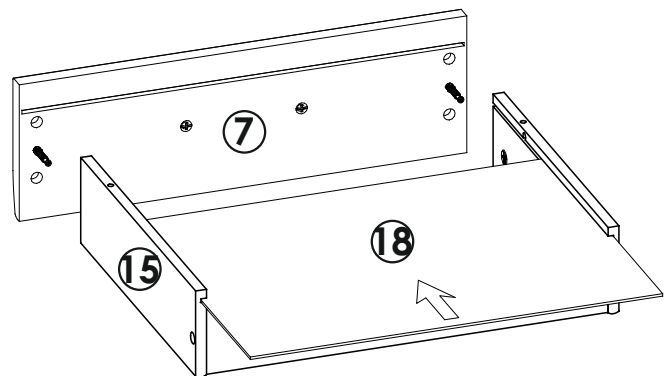
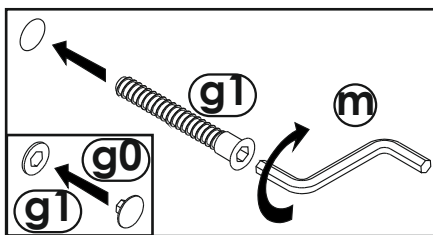
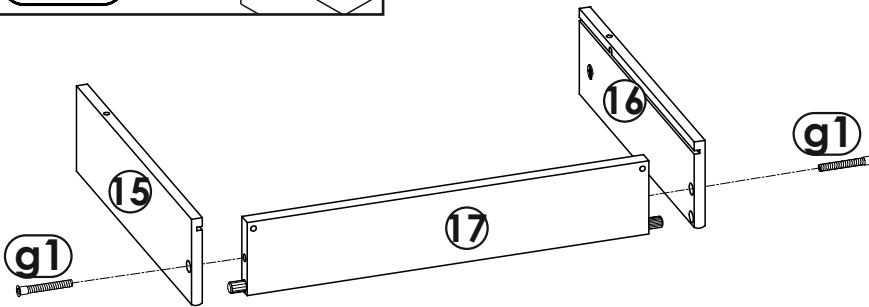
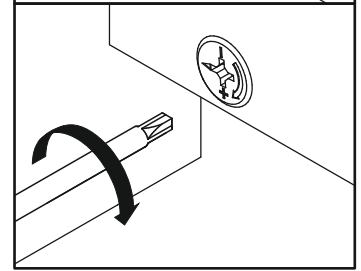
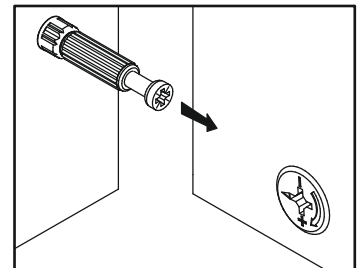
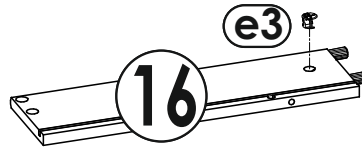
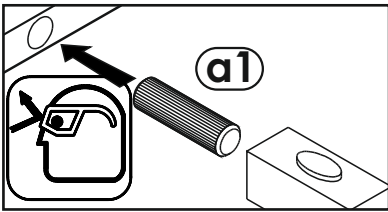
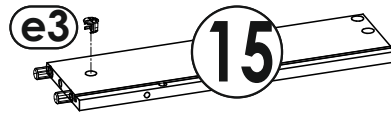
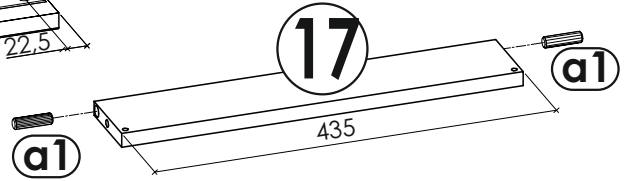
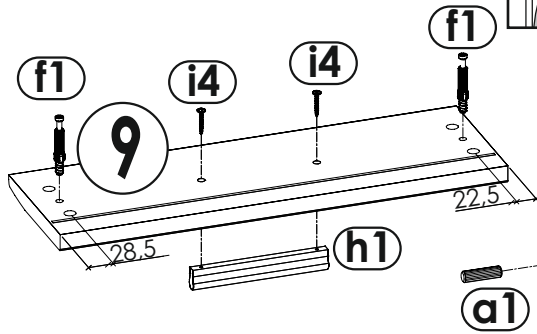
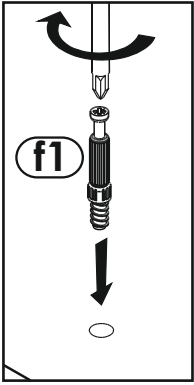
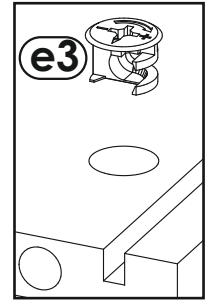
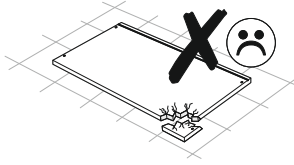
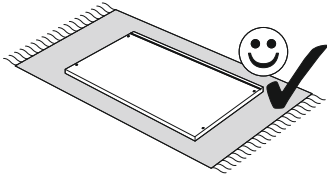
5



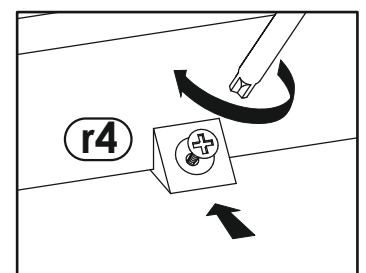
A=B



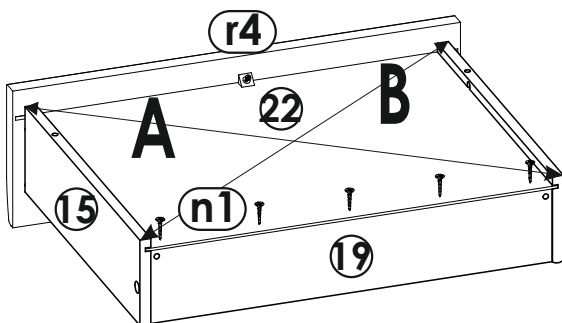
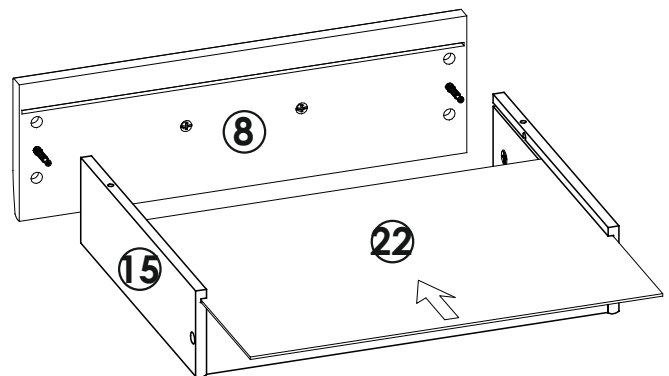
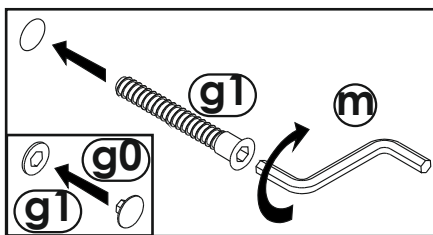
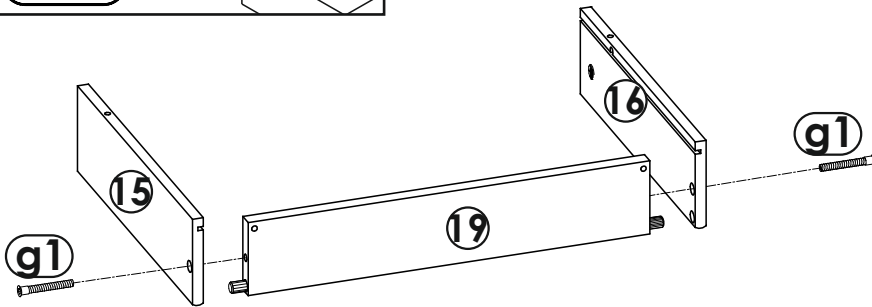
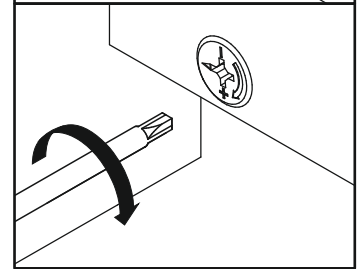
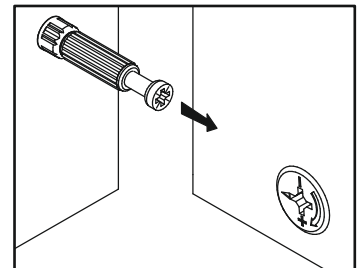
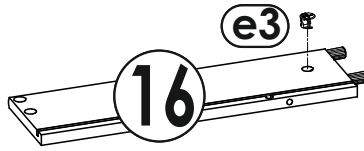
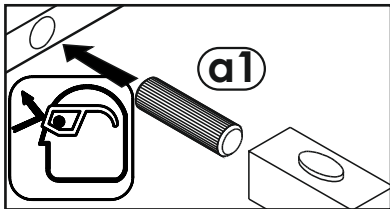
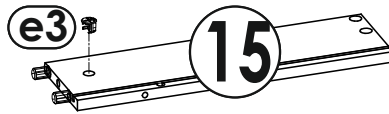
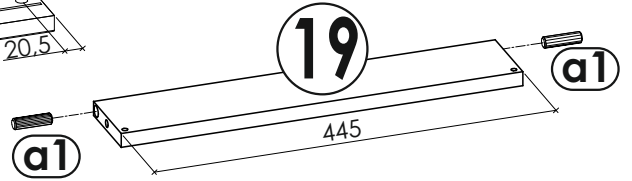
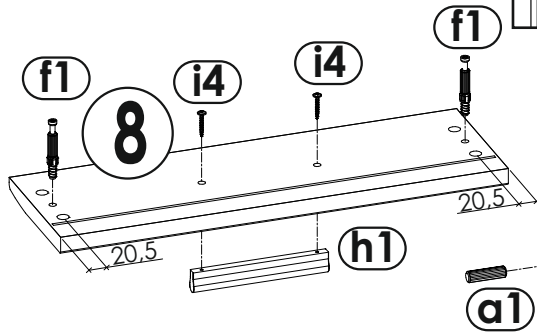
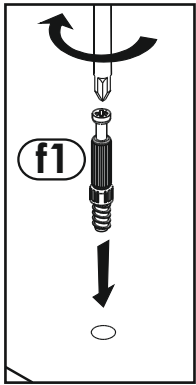
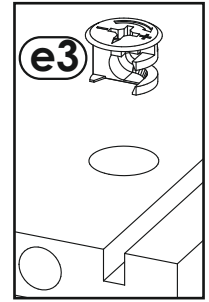
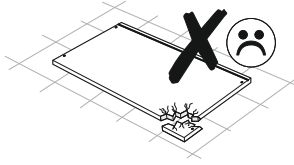
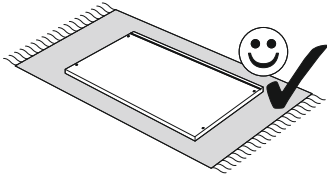
6



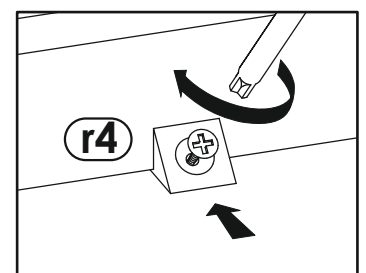
A=B



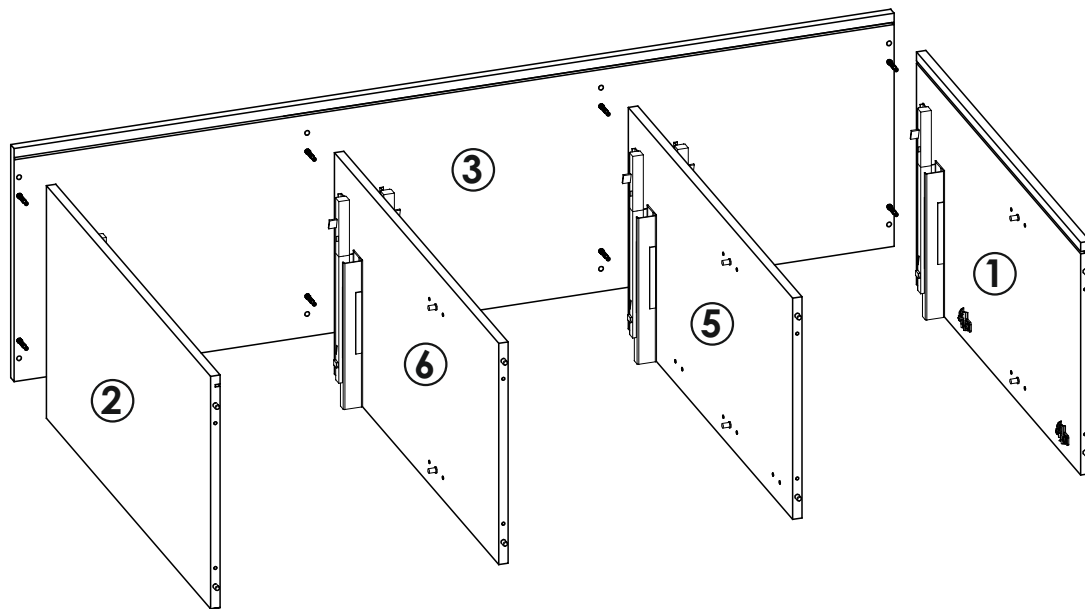
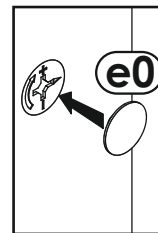
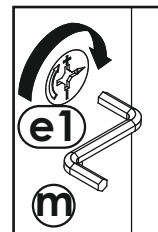
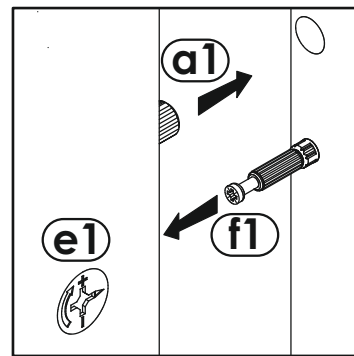
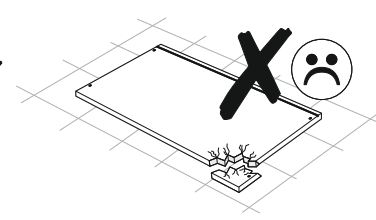
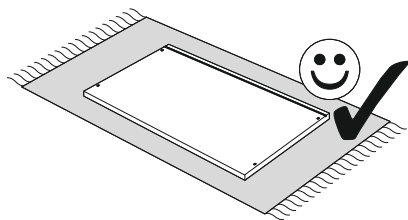
7



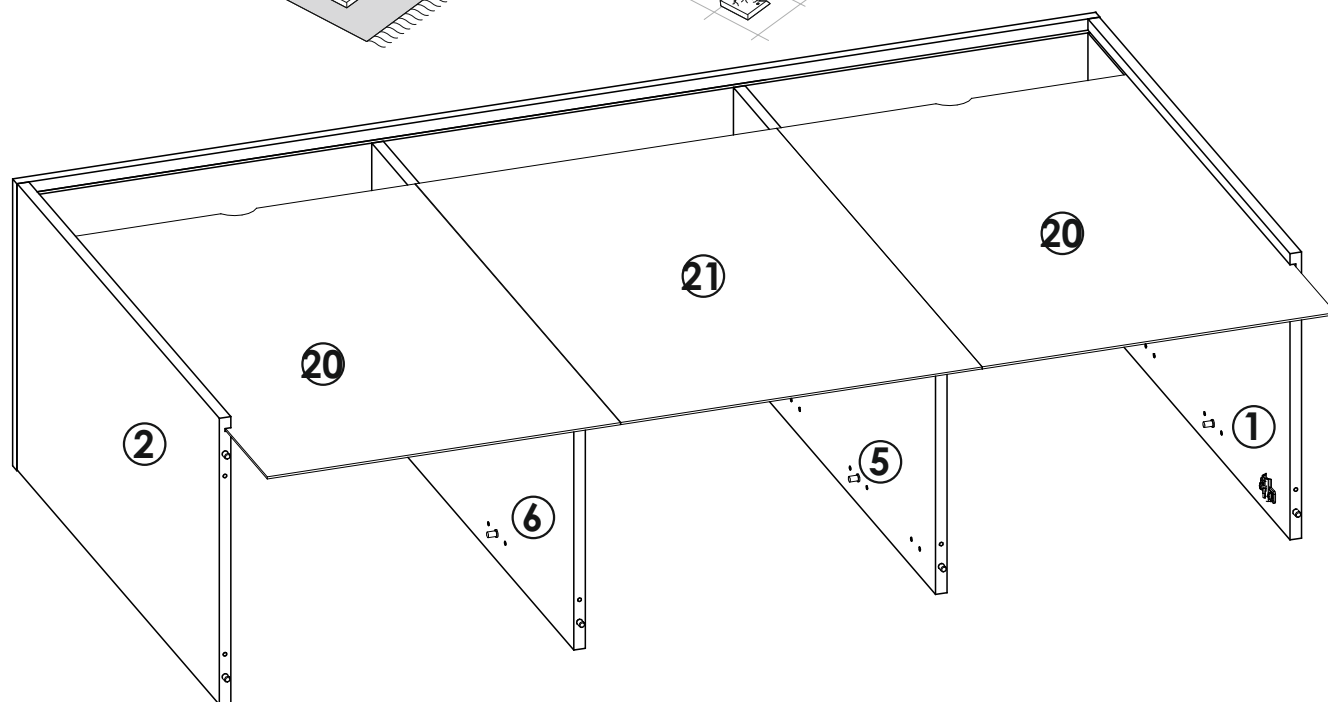
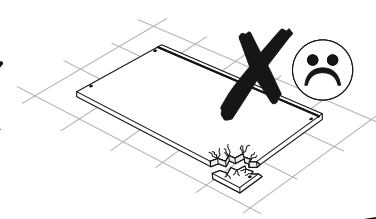
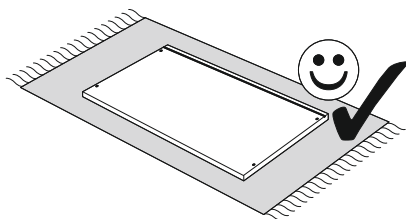
A=B



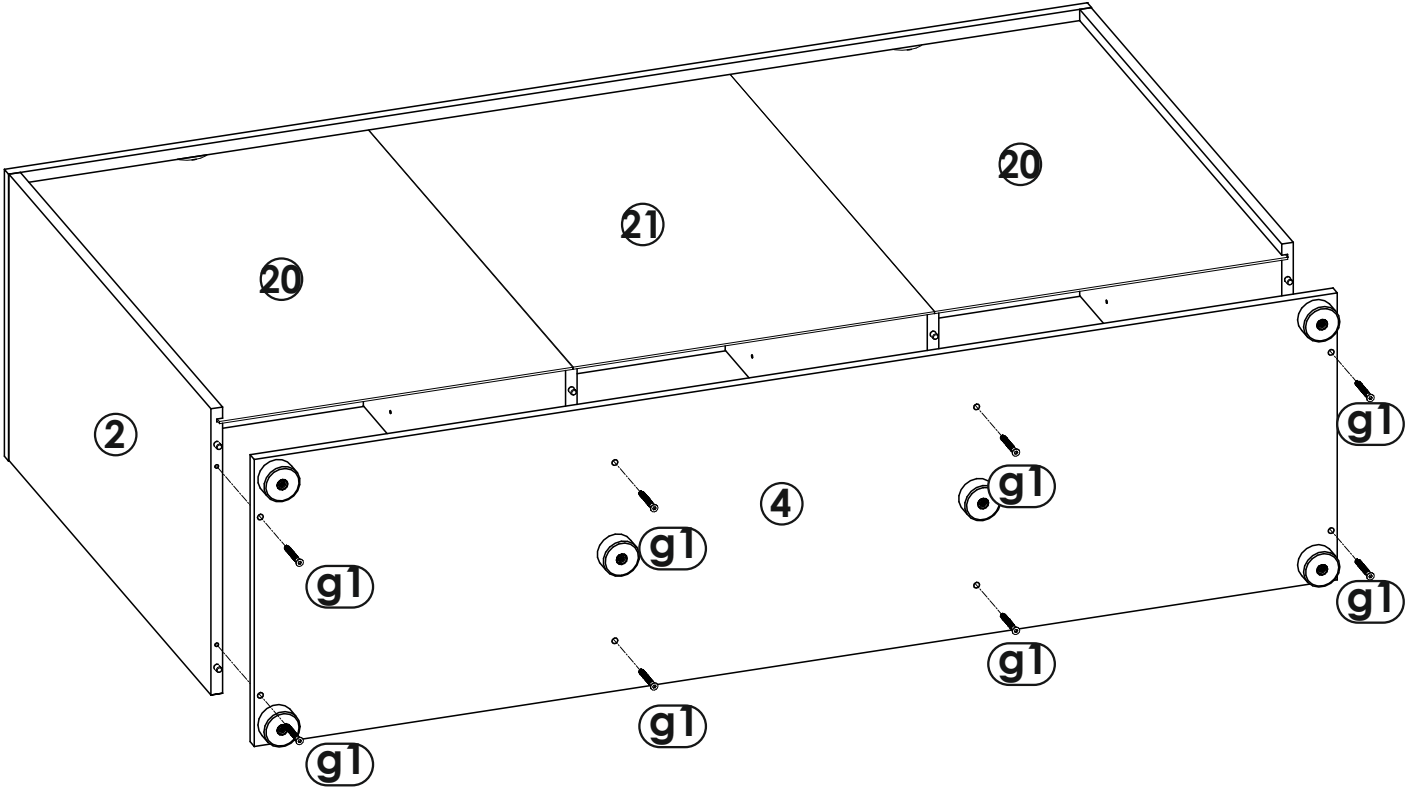
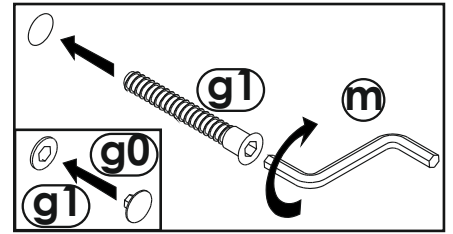
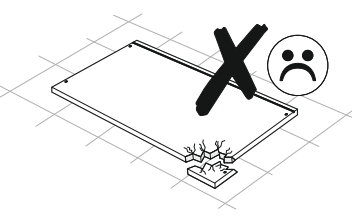
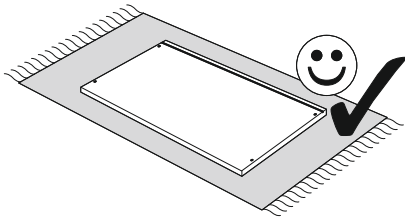
8



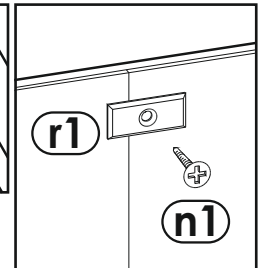
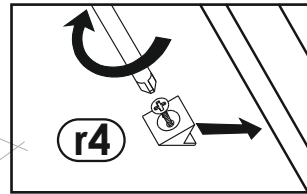
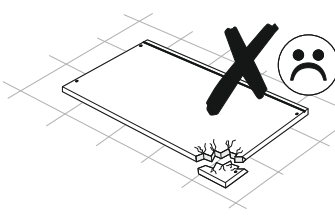
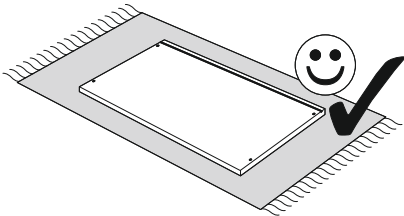
9



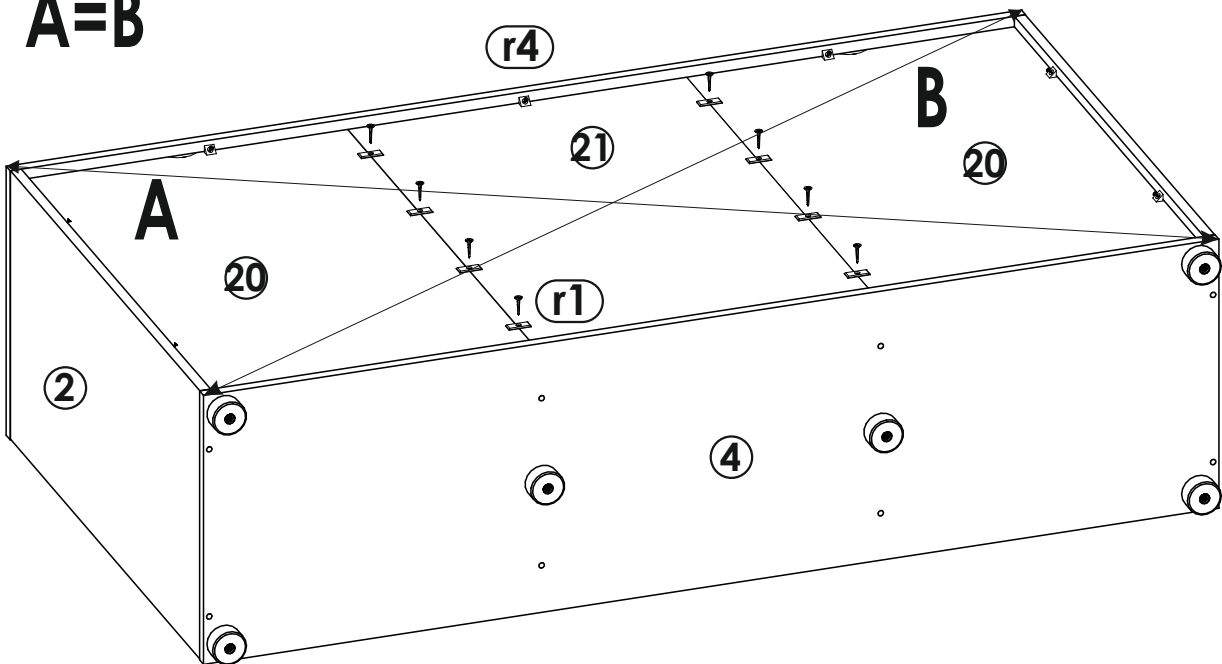
10
▼



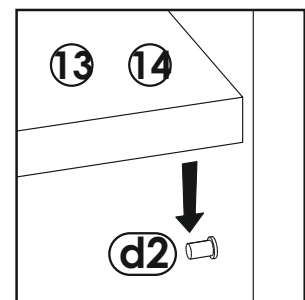
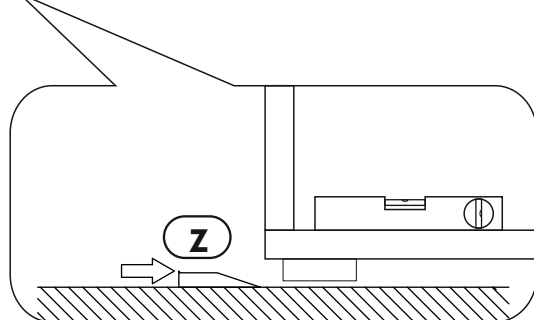
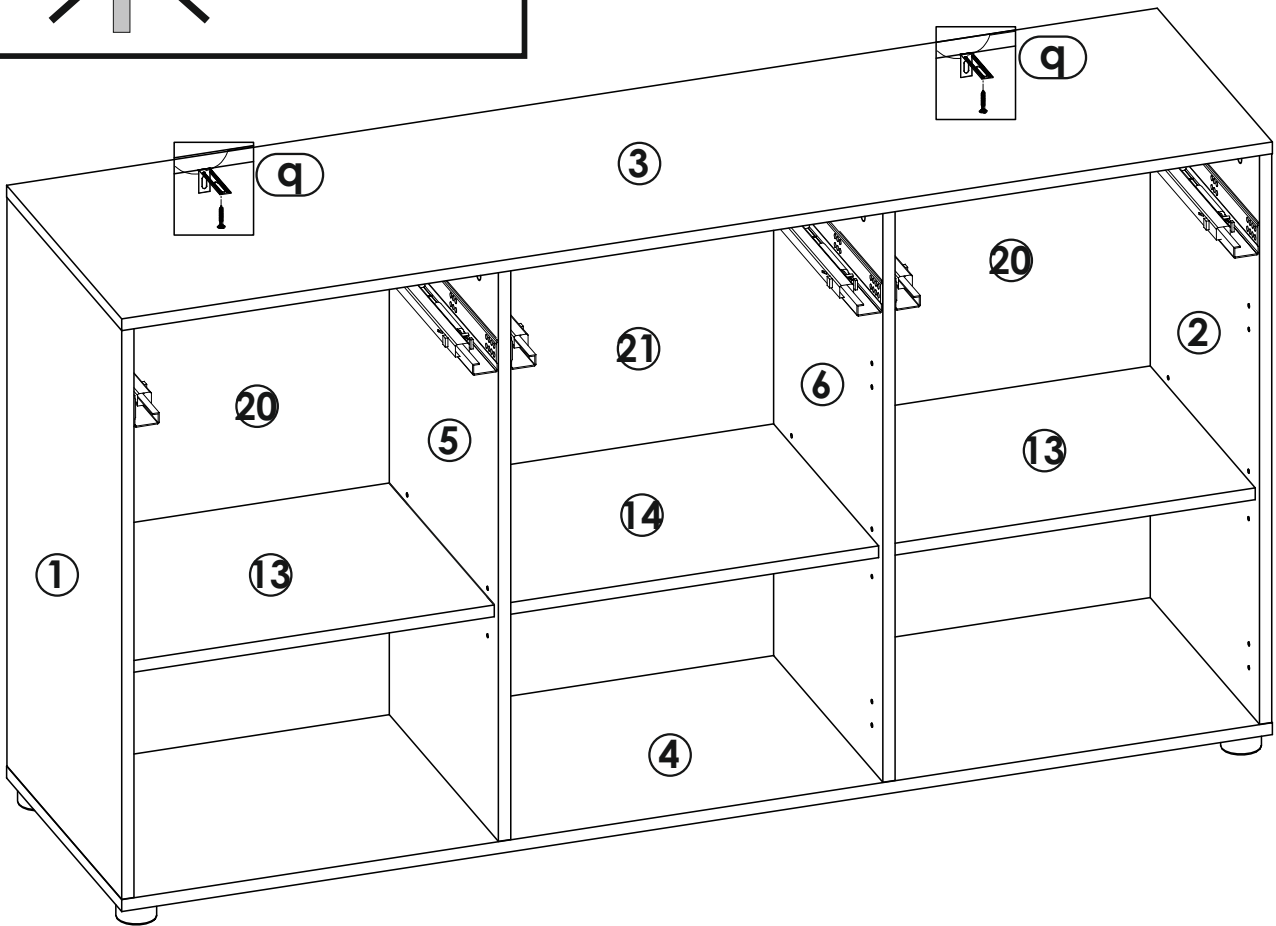
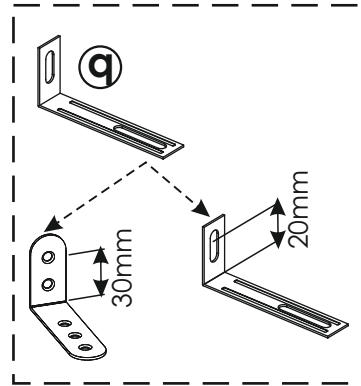
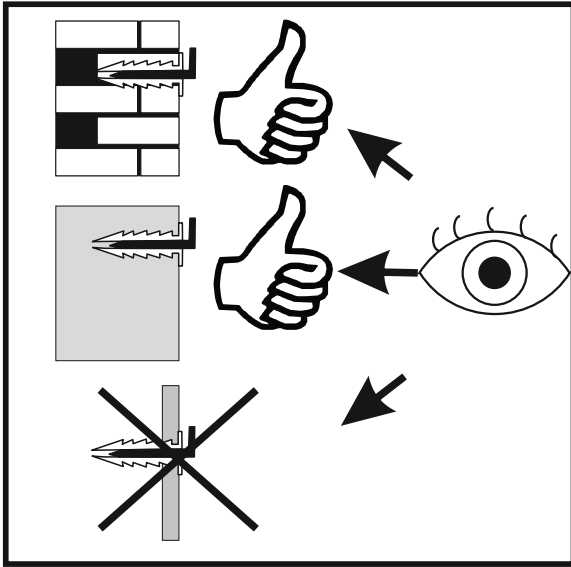
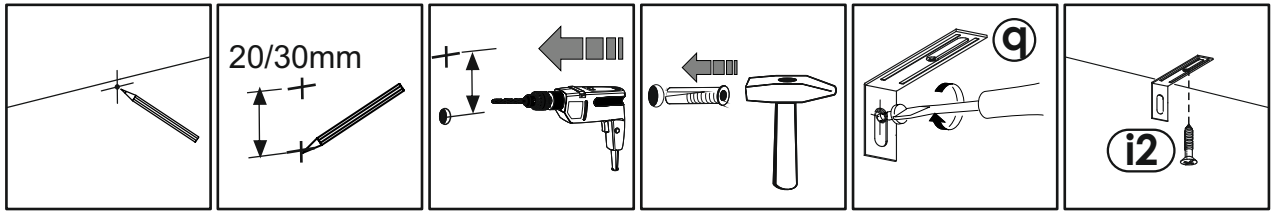
11
▼



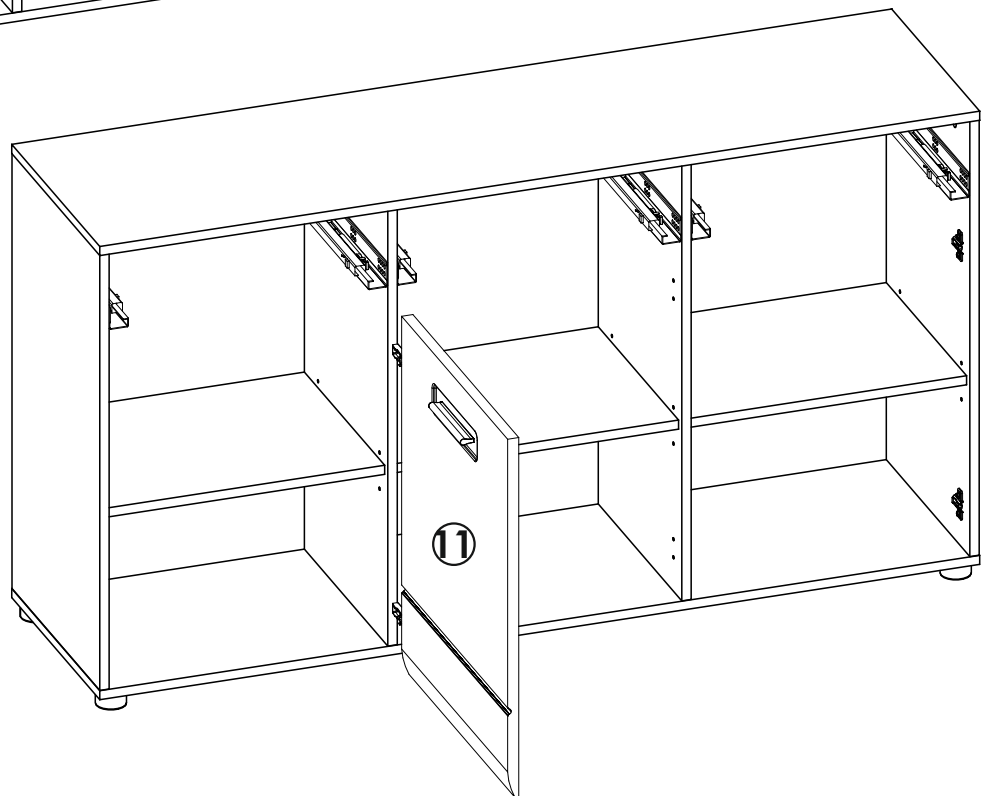
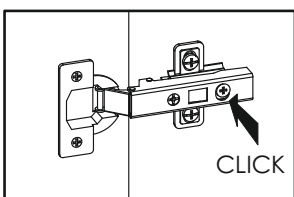
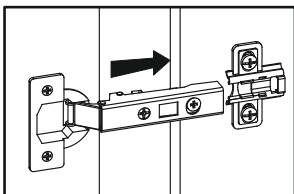
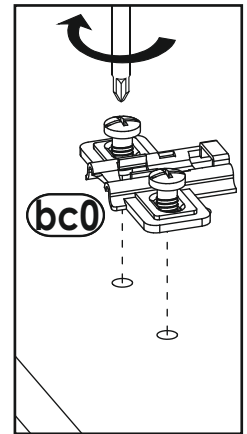
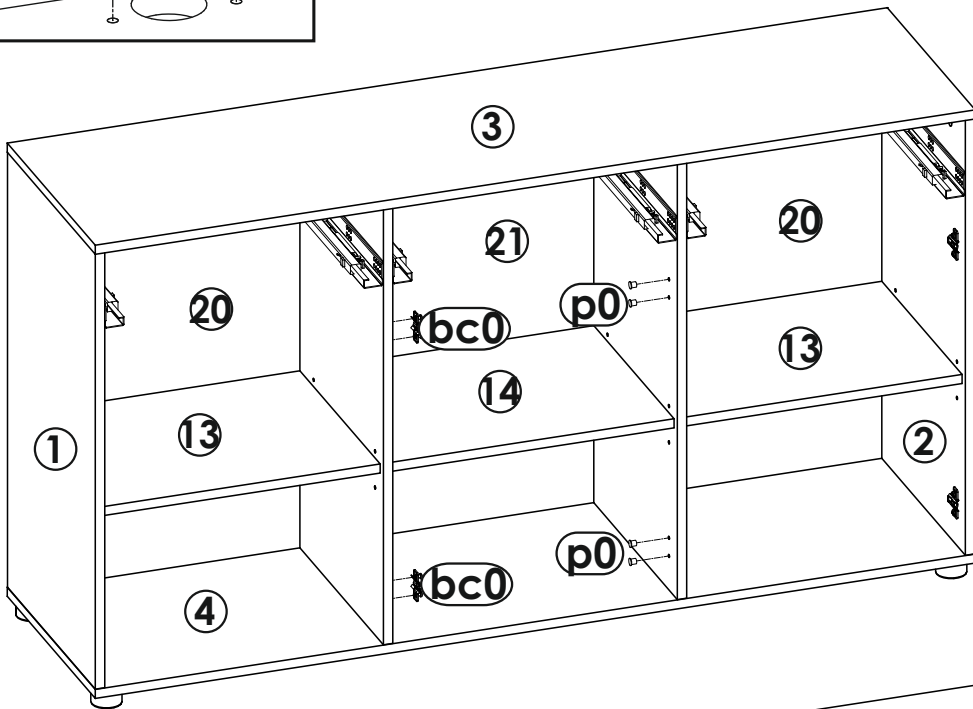
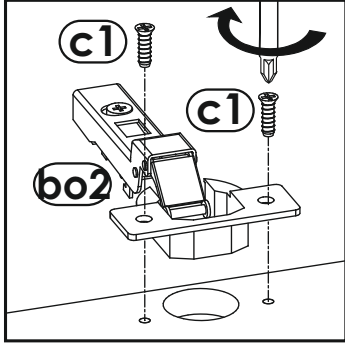
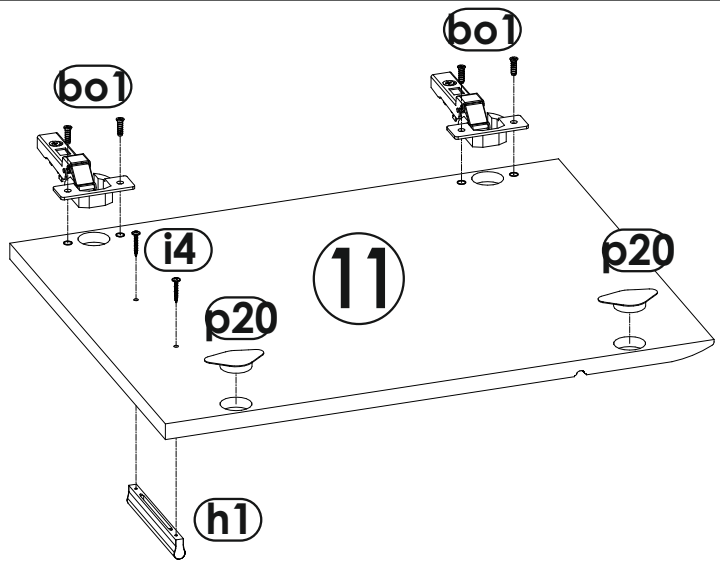
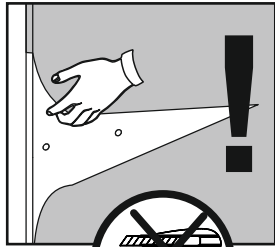
A=B



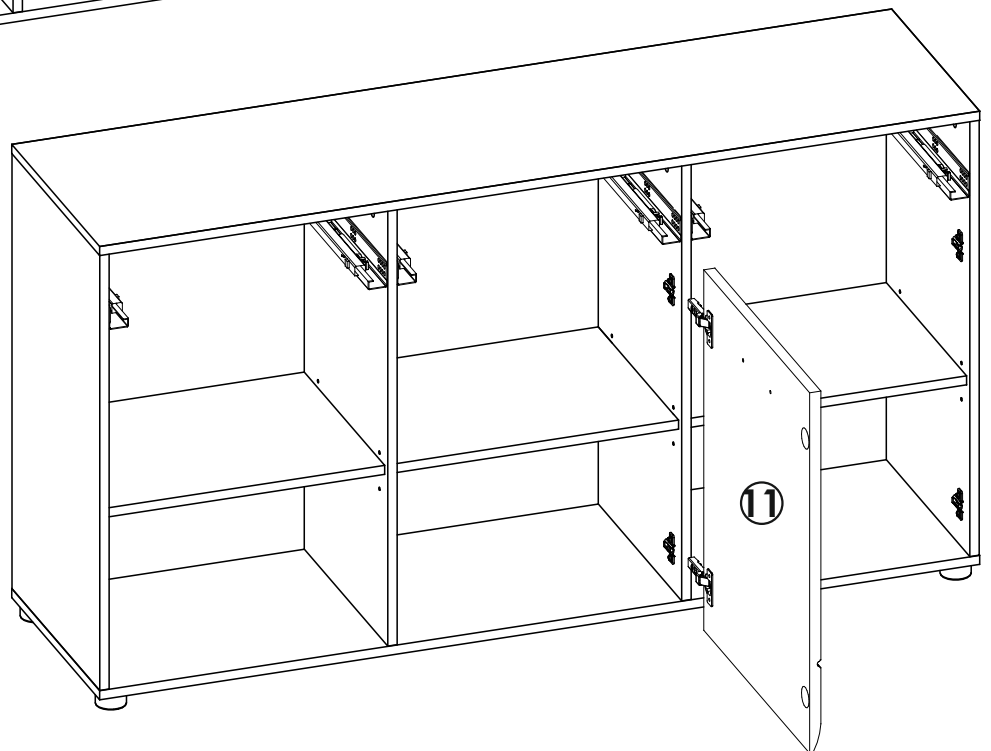
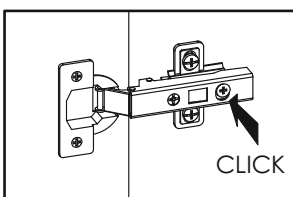
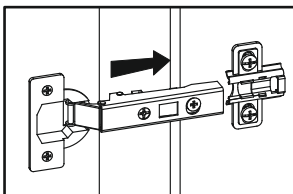
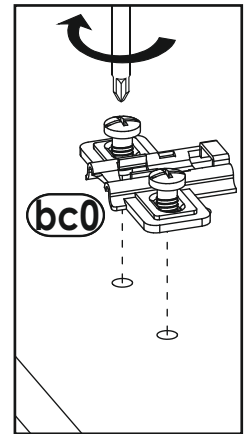
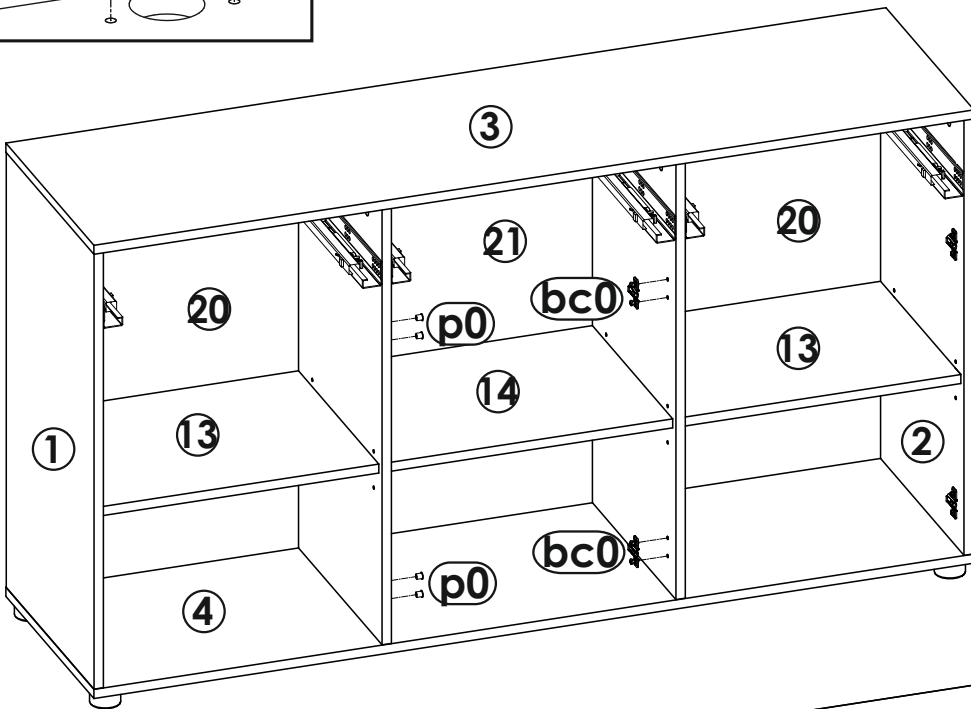
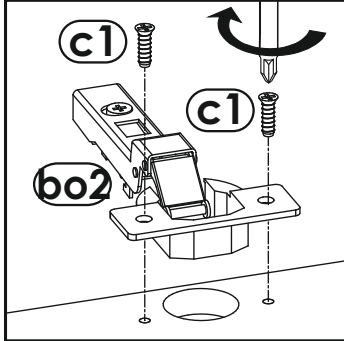
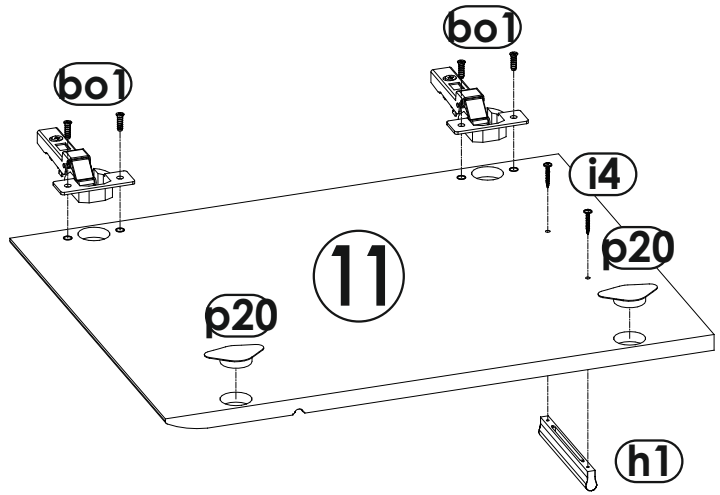
12
▼



13L



13R



14
▼

