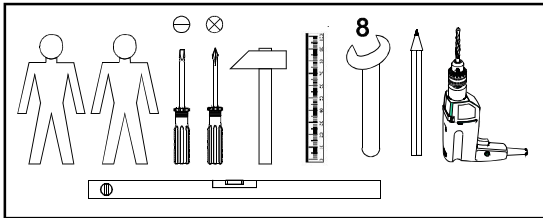


A	B	C	D
1	F37-101	2250x551	1/8
2	F37-102	2249x535	2/8
3	F37-103	2250x580	1/8
4	F37-104	2249x535	2/8
5	F37-307	1054x480	4/8
6	F37-308	1054x535	4/8;3/8
7	F37-309	1054x535	3/8
8	F37-312	970x480	4/8
9	F37-313	982x535	3/8
10	F37-314	982x535	3/8
11	F37-405	1054x51	3/8
12	F37-406	1054x51	4/8
13	F37-407	982x51	3/8
14	F37-408	982x51	4/8
15	F37-903	2178x1063	2/8
16	F37-904	2178x991	1/8

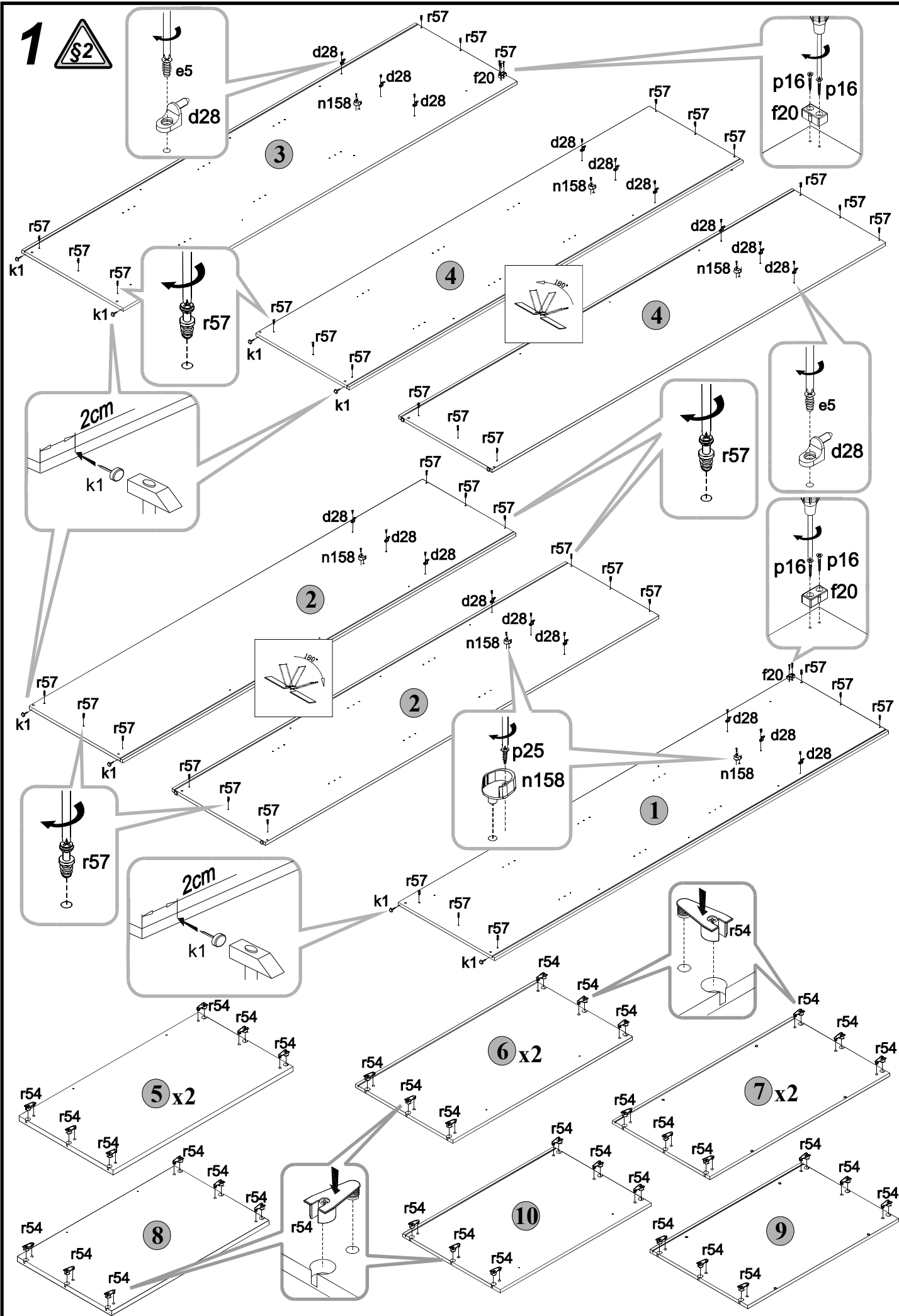


120min

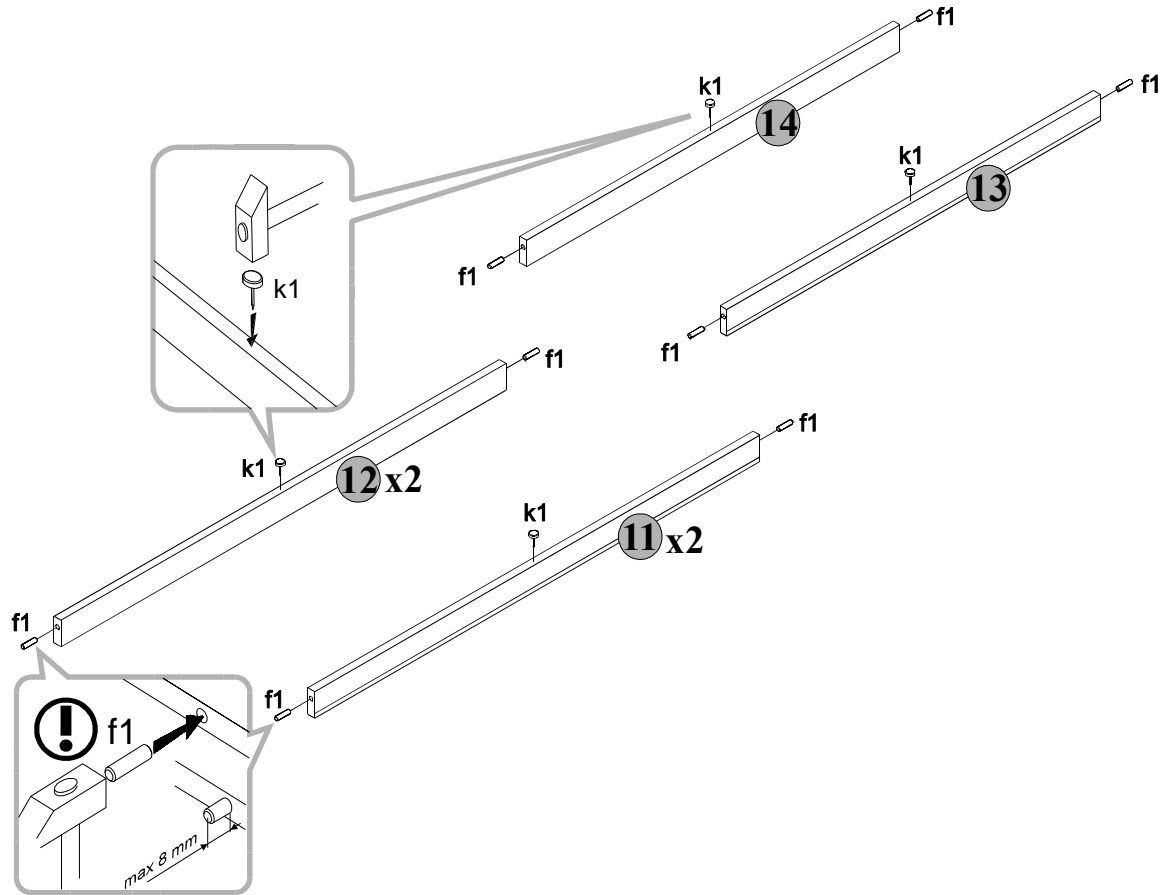


	18x  d28	1x  15x30x975 mm dr975	2x  15x30x1049 mm dr1049	1x  L=3118mm w123\2	1x  L=3118mm w124\3
4x $\phi 3,5 \times 16$ mm p38	2x  81x21x15/1,5mm n14\2	24x  d20	12x $\phi 7 \times 50$ mm e1	18x $\phi 6,3 \times 13$ mm e5	24x $\phi 6,3 \times 10$ mm e50
2x  M5 j149	2x  M5x20 mm j148	12x  I2	12x  k1	6x  n158	4x $\phi 3,5 \times 25$ mm p16
2x $\phi 5 \times 60$ mm p17	2x $\phi 10 \times 50$ mm f35	15x $\phi 4 \times 13$ mm p93	36x  6,7/11 r57	36x  #16 r54	12x  s1
				14x $\phi 5$ s4	1x  z1
				2x  f55	2x  f20

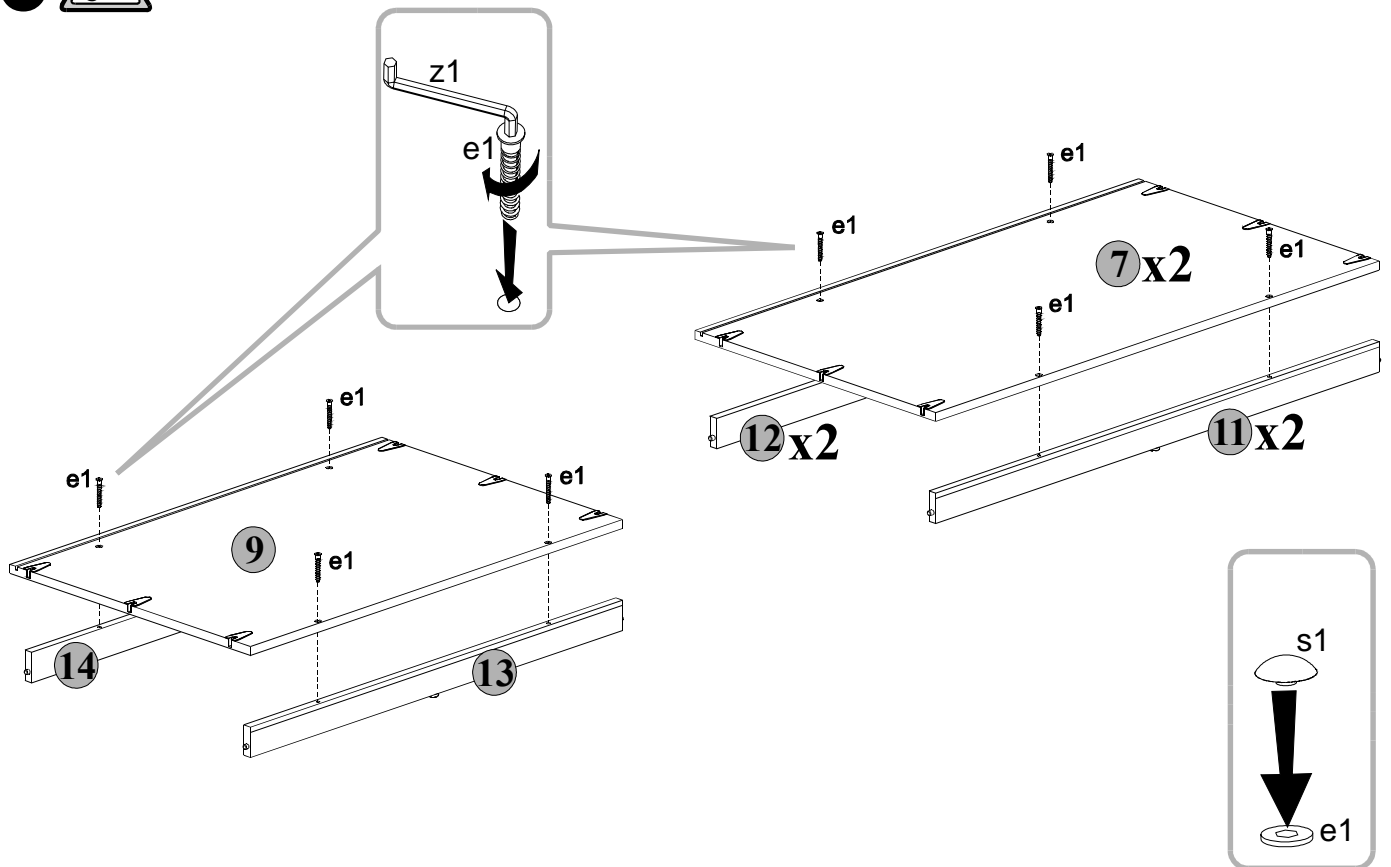
1

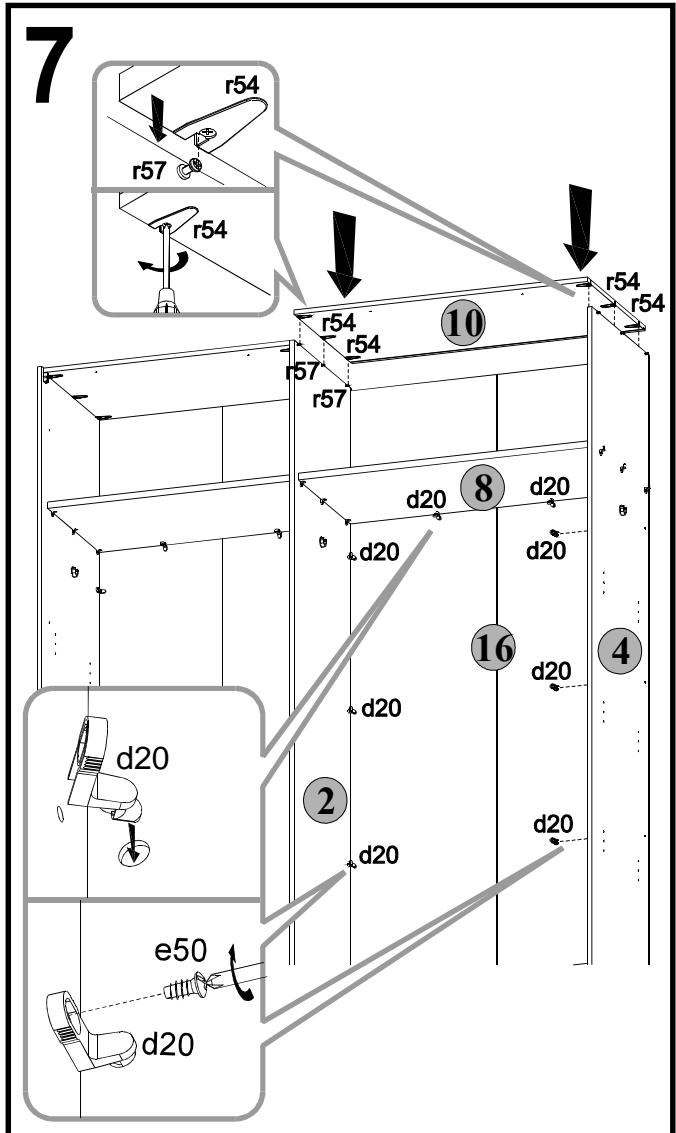
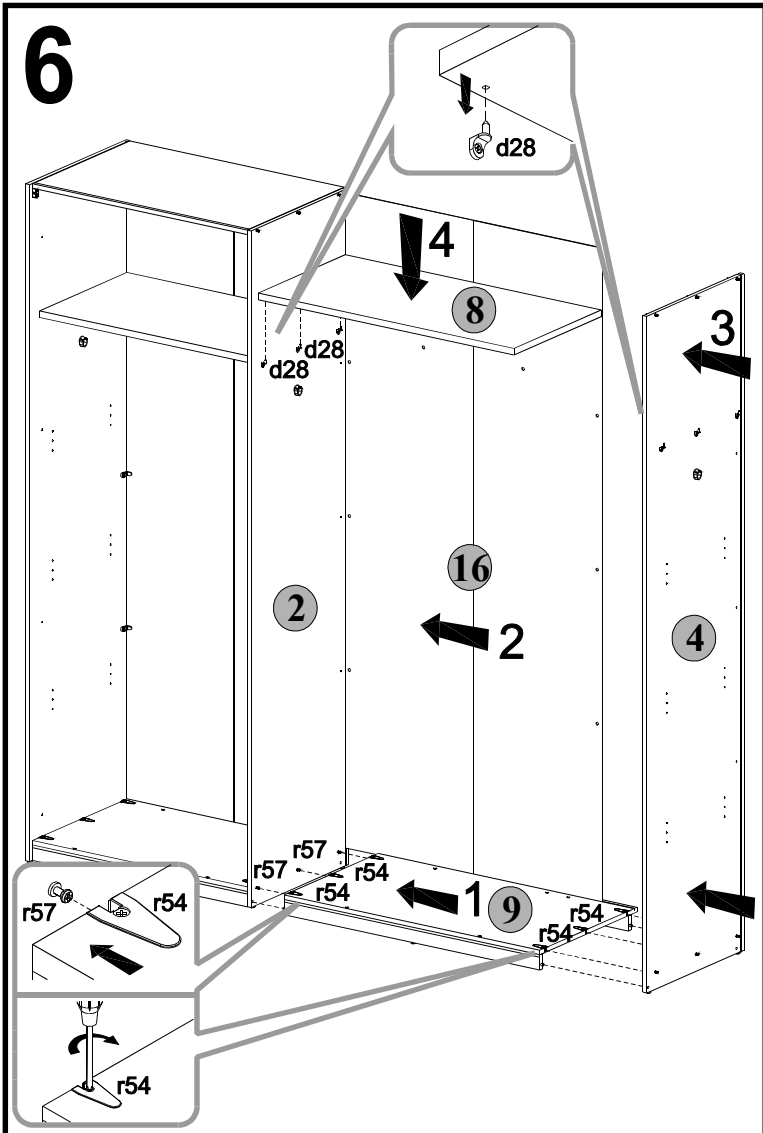
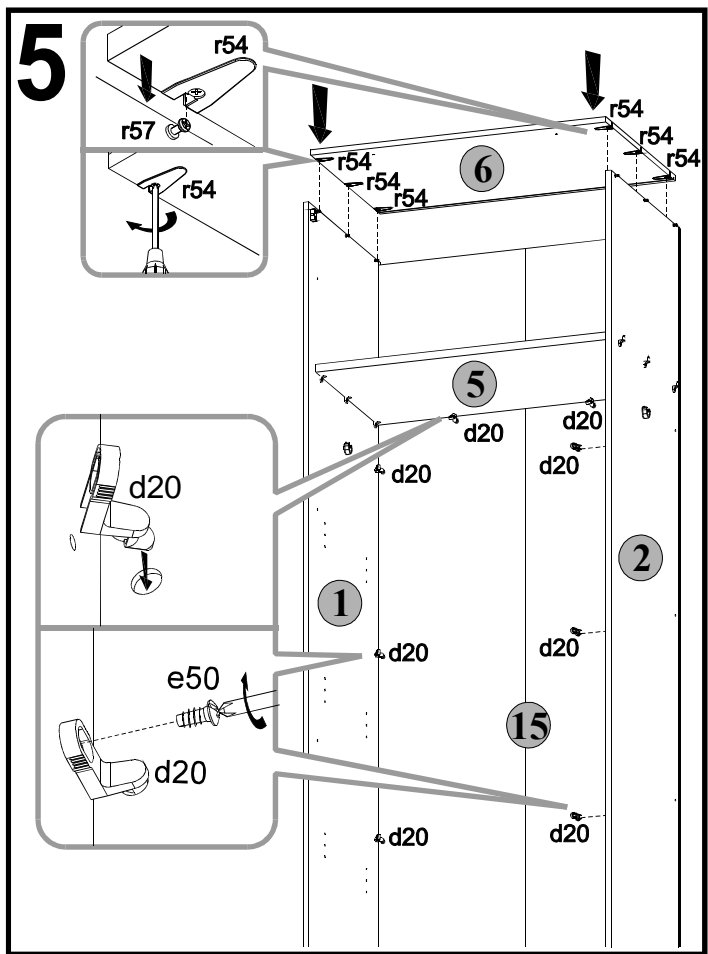
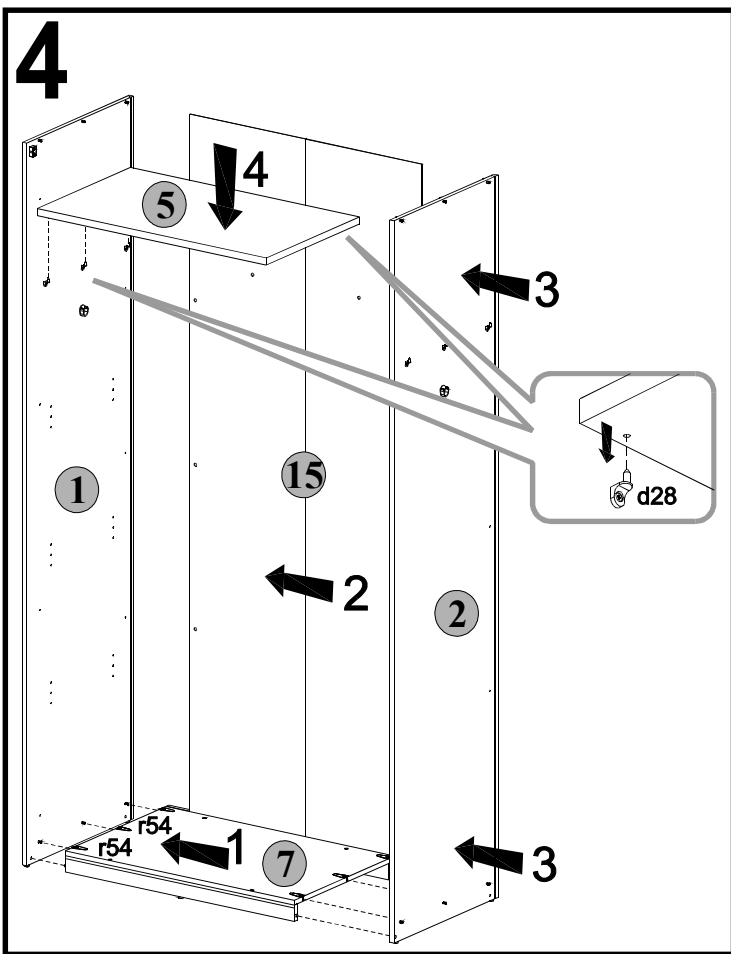


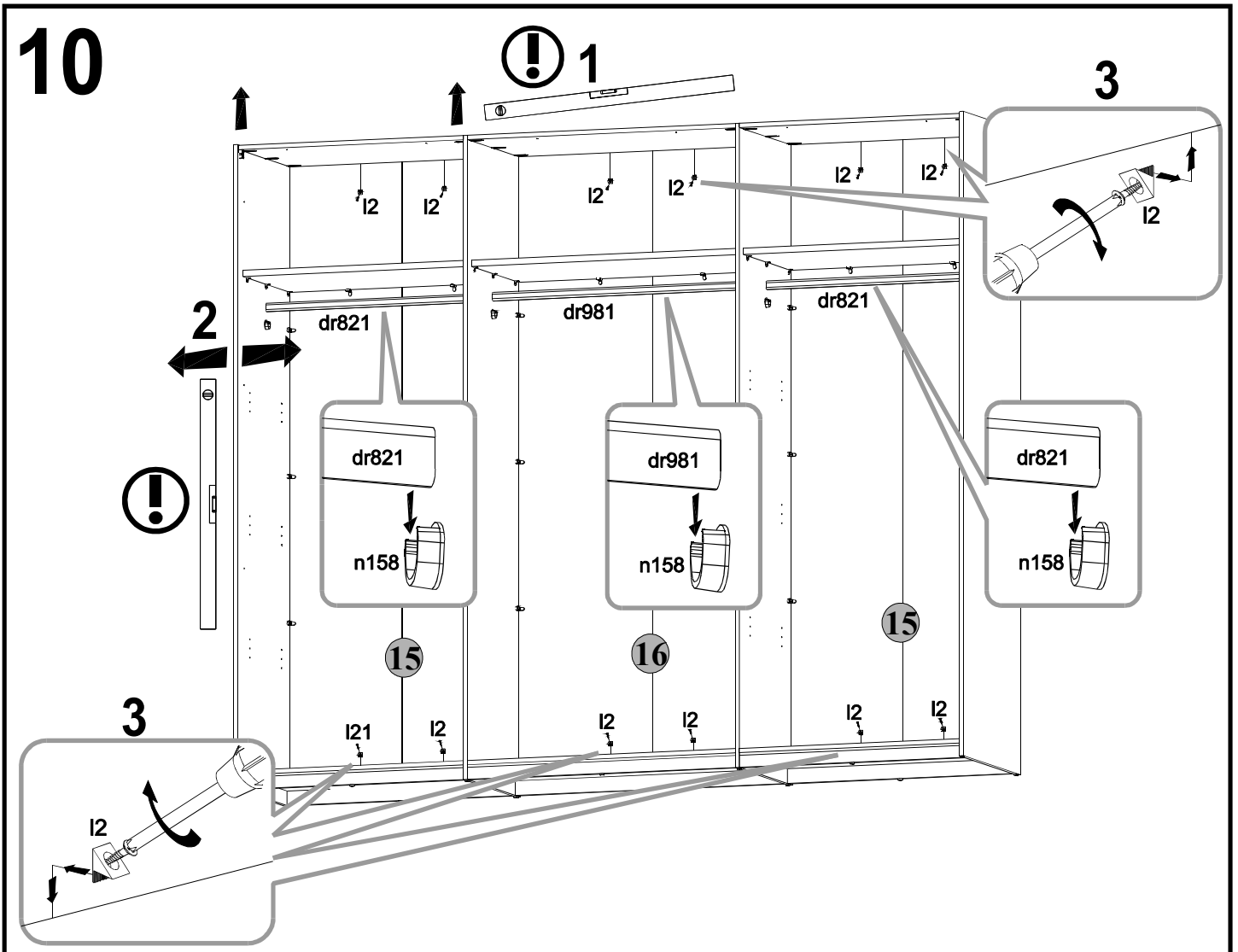
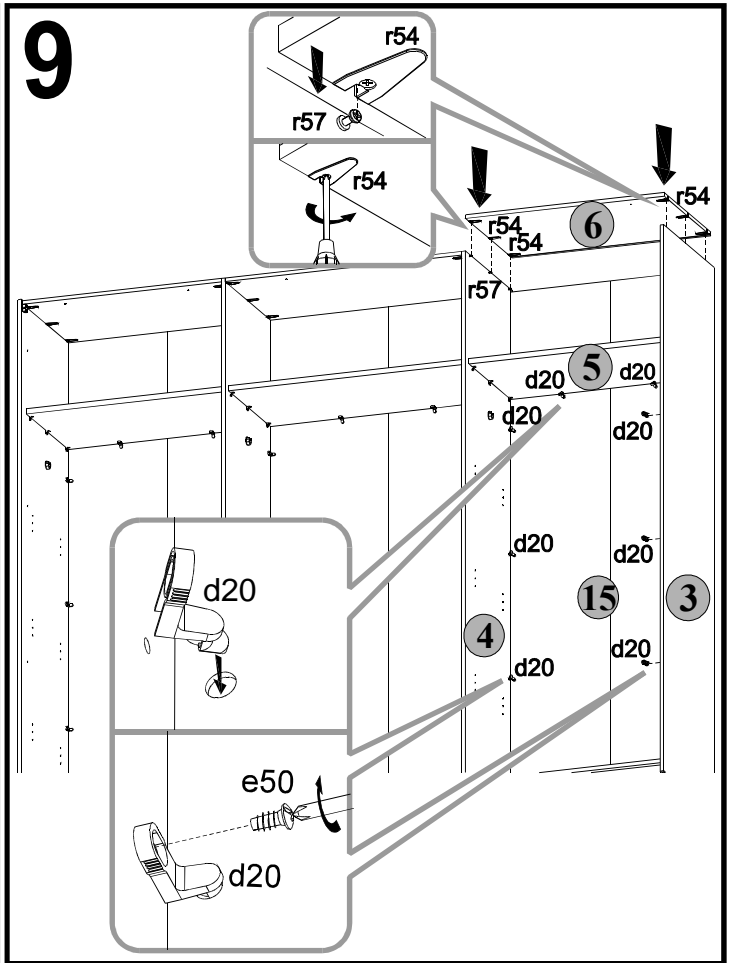
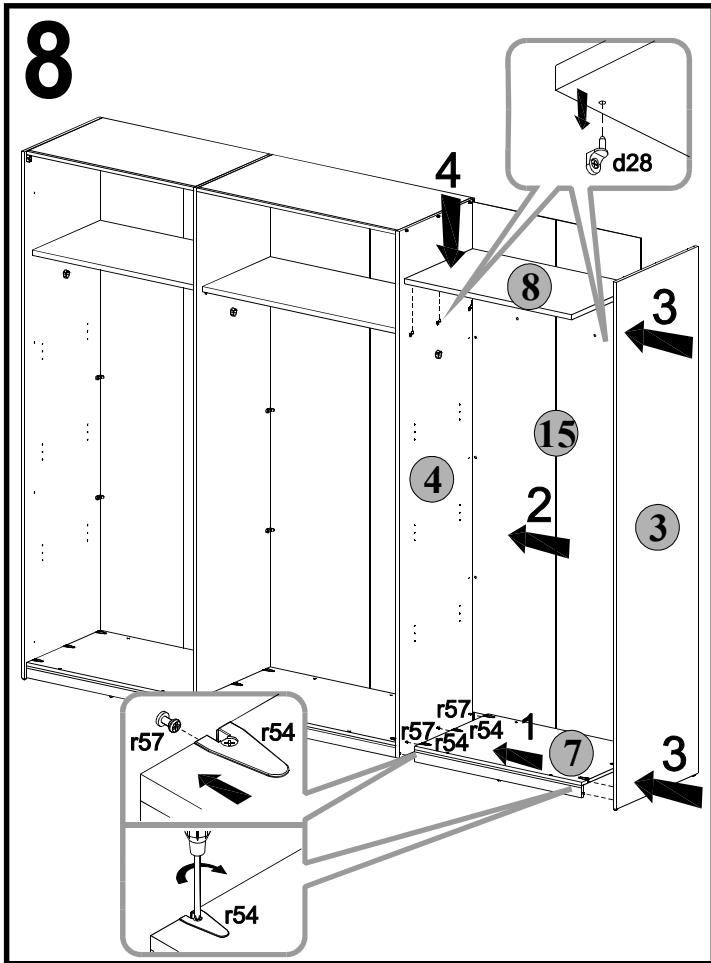
# 2



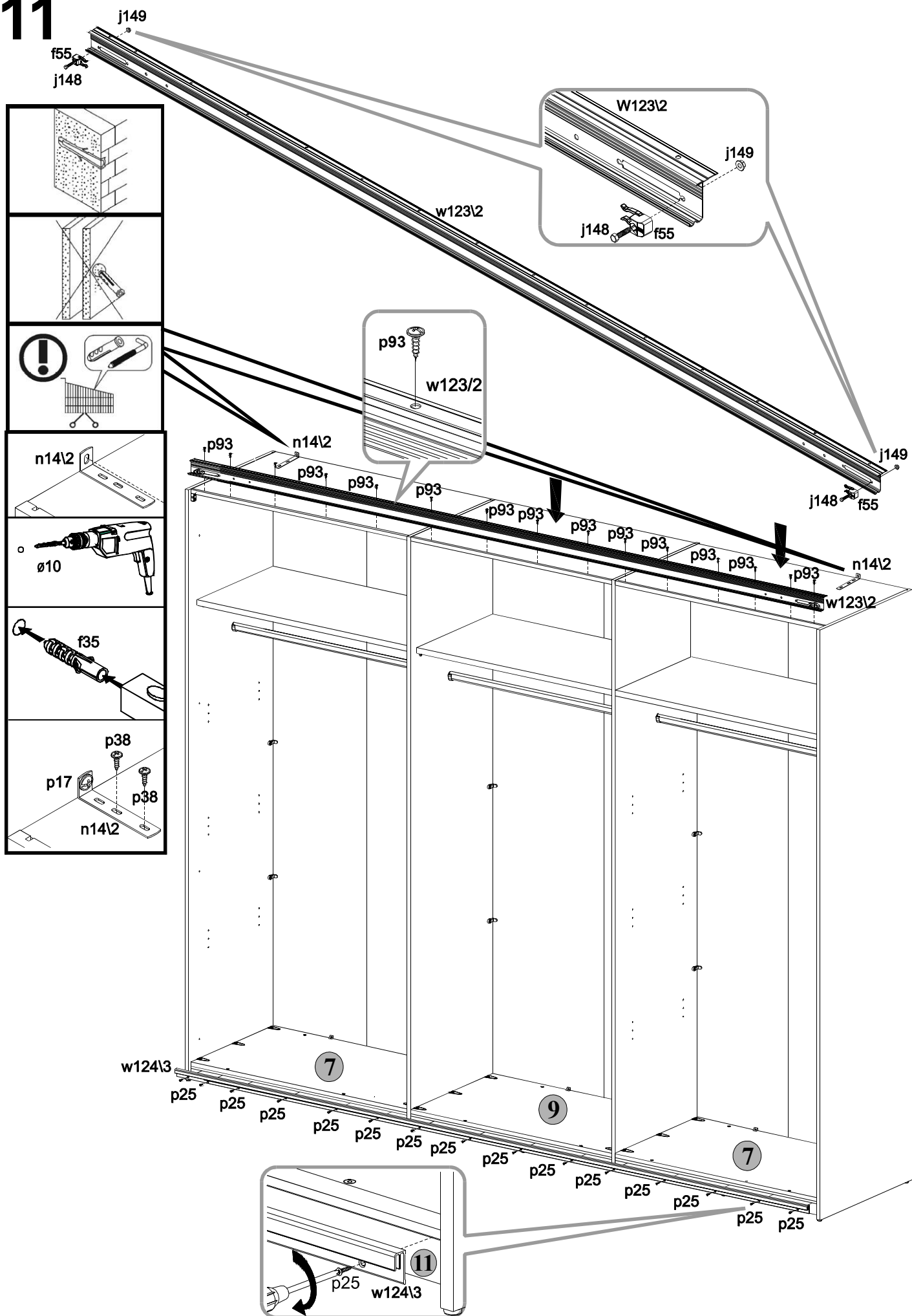
# 3



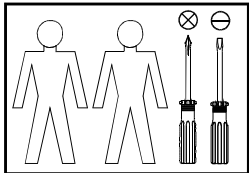
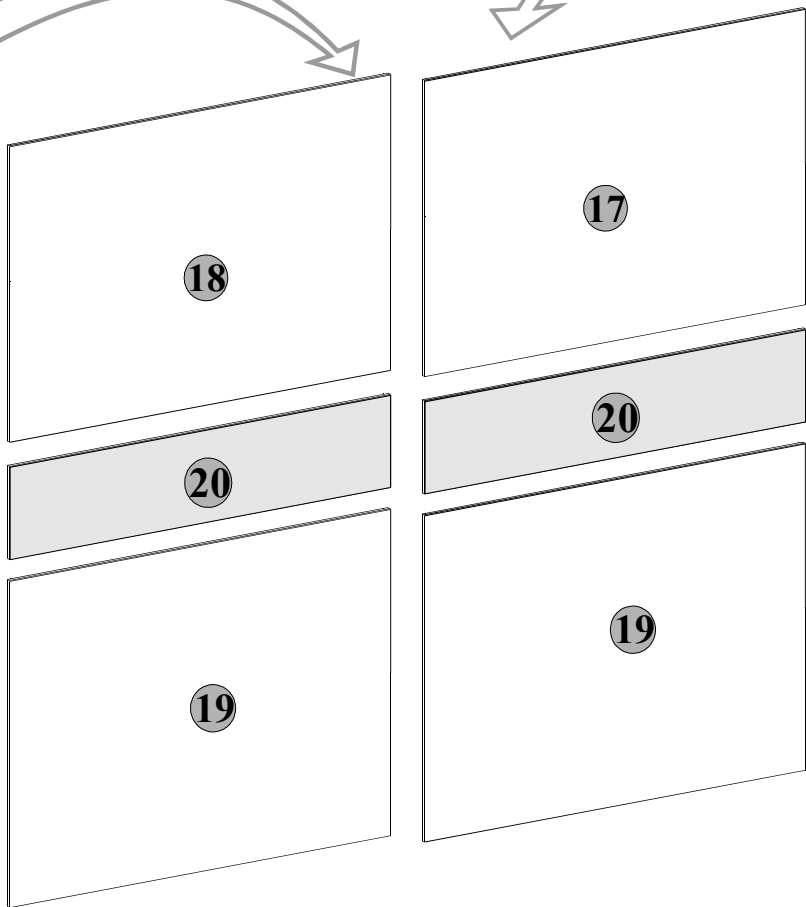
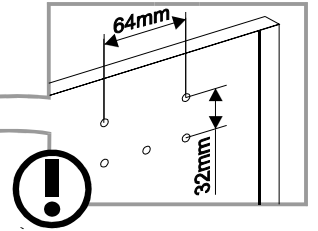
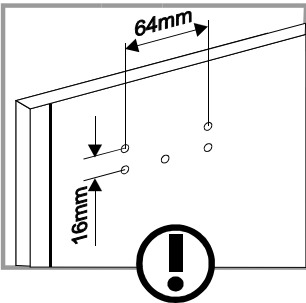
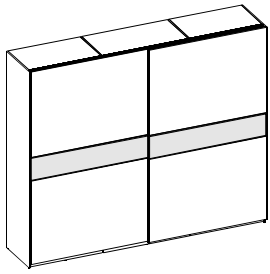




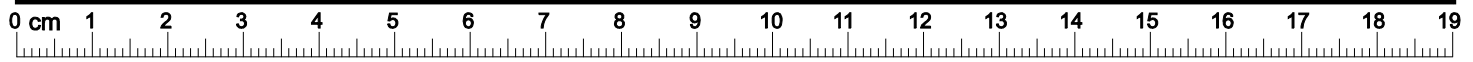
# 11



# 58-108-D9

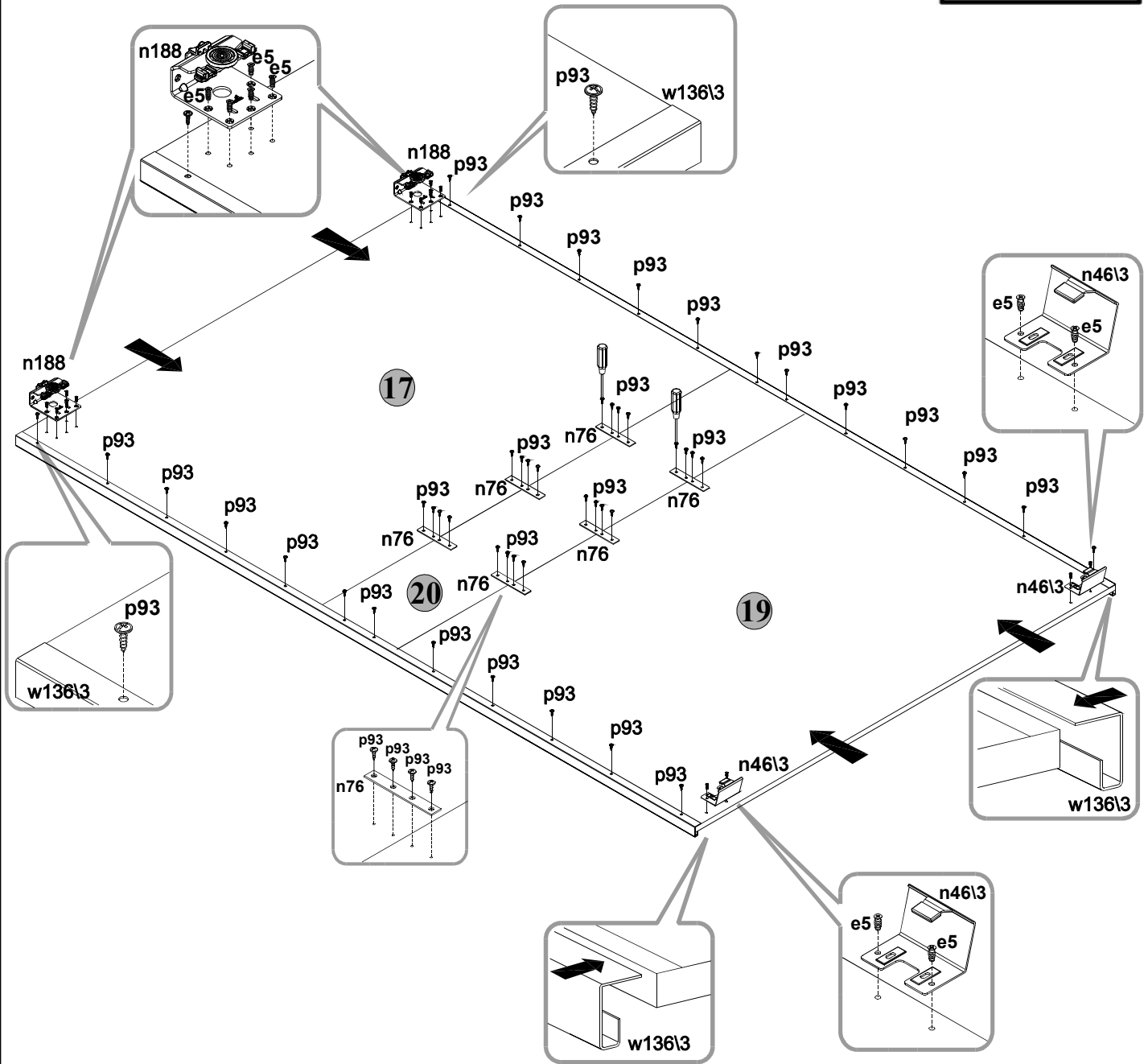
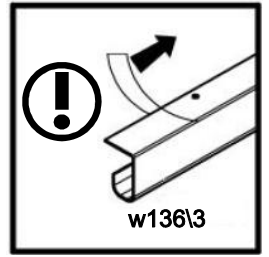


	A	B	C	D
17	F37-054	1588x985	5/8	
18	F37-055	1588x985	5/8	
19	F37-056	1588x985	6/8	
20	F37-057	1588x230	7/8	

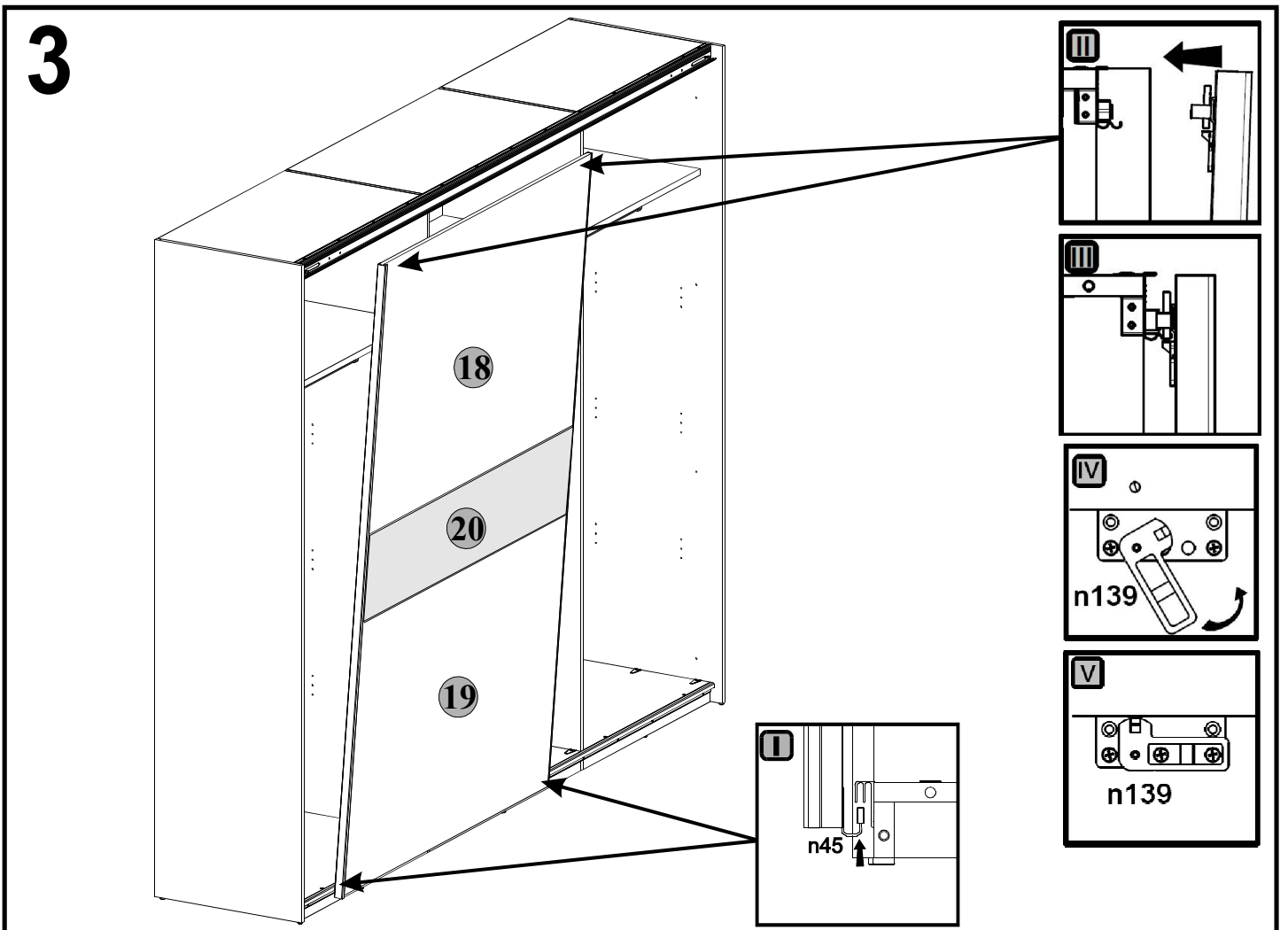
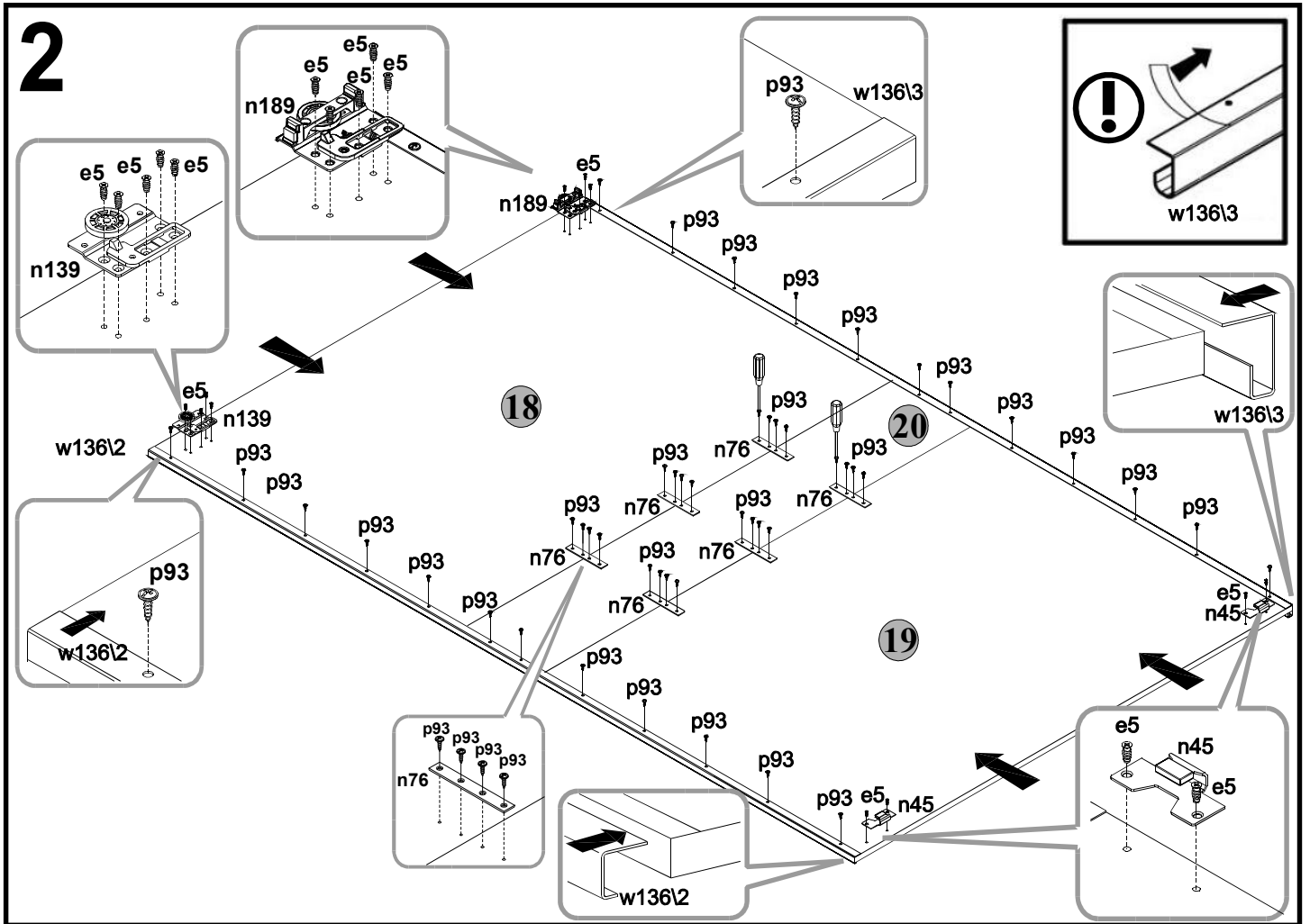


1x L=2200mm w136\2	3x L=2200 w136\3	28x φ6.3x13 mm e5	12x 112x16.2mm n76
2x n188	1x n189	1x n139	2x n45
		2x n46\3	96x φ4x13 mm p93

**1**







4

