

PRAG

Colli 1/3

KUH.10020	580x290x16mm	x2
KUH.10242	580x290x16mm	x2
KUH.30052	408x250x16mm	x1
KUH.40119	409x276x16mm	x2
KUH.40120	995x276x16mm	x2
KUH.40122	995x276x16mm	x1
KUH.60173	576x427x2,5mm	x1
KUH.60175	1013x287x2,5mm	x1
KUH.60176	1013x287x2,5mm	x1
KUH.70621	438x576x16mm	x1
KUH.70622	1024x294x16mm	x2

8	A	B	E1	HG	J	K
8	8	8	2	4	2	2
K16	O	P5	P7	P8	R2	S25
2	1	4	10-15	4	2	1
	A	B	E1	HG	K	
12	12	8	2	2	2	
K16	K28	L2	O	P5	P7	P8
2	1	3	1	6	15-20	4
P9	R2	S25				
1	2	1				

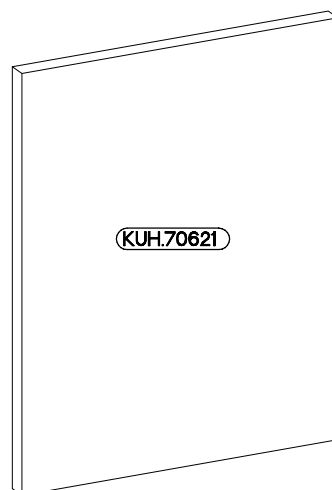
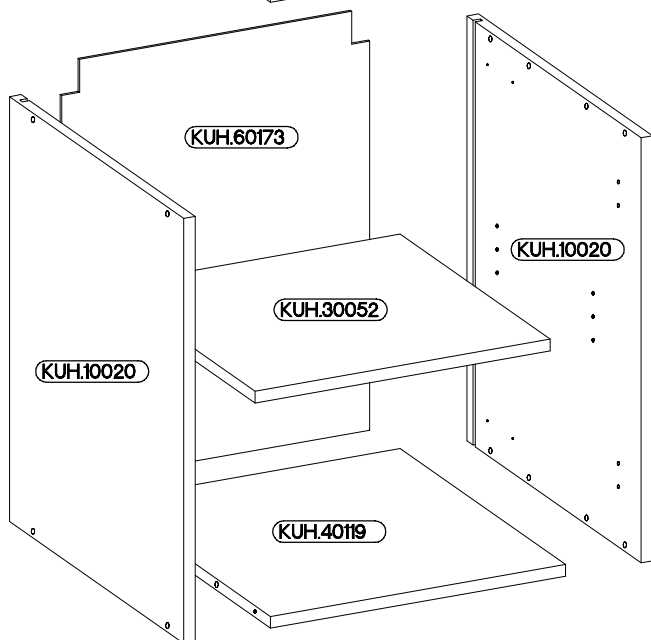
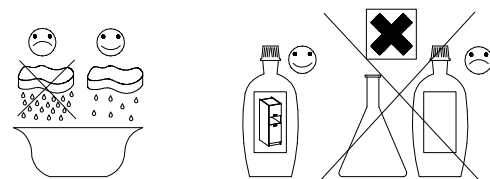
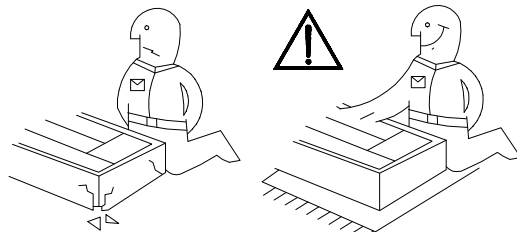
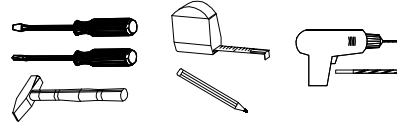
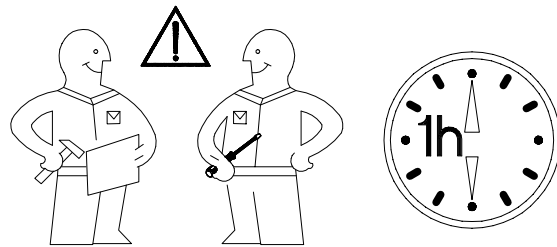
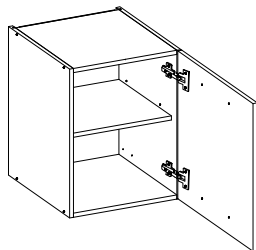
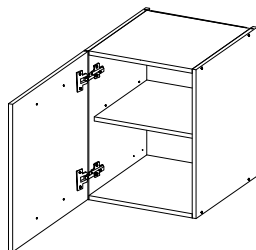
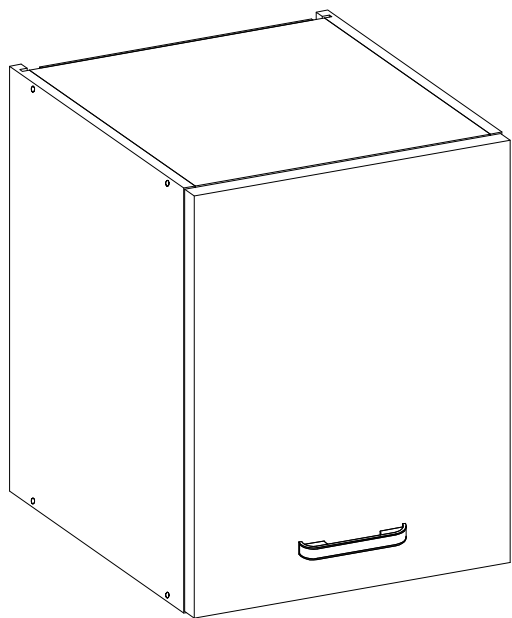
Colli 2/3

KUH.10257	815x550x16mm	x1
KUH.10258	815x550x16mm	x1
KUH.30051	426x489x16mm	x1
KUH.40124	568x534x16mm	x1
KUH.50005	668x353x16mm	x1
KUH.50006	668x353x16mm	x1
KUH.60172	683x541x2,5mm	x1
KUH.60187	396x387x2,5mm	x1
KUH.70617	677x510x16mm	x2
KUH.70618	545x438x16mm	x1
KUH.70619	438x128x16mm	x1
KUH.70620	596x80x16mm	x1
WST-0070	400x80x12mm	x1
WST-0071	400x80x12mm	x1
WST-0072	377x80x12mm	x1

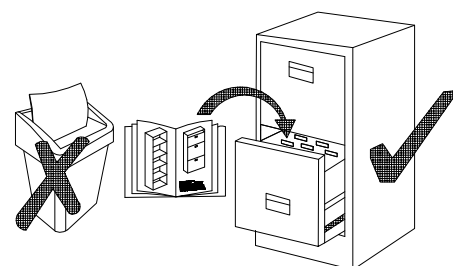
	A	B	B2	C	D2
32	12	2	8	8	8
E	E1	E9	F2	F4	F15
8	8	2	4	2	4
HG2	I2	J	J30	K30	L
2	1	6	2	2	1
M	M8	O	O11	P4	P5
2	2	1	1	2	30
P7	R2	S25	U1		
20-25	8	4	2		

Colli 3/3

KUH.20080	2070x600x28mm	x1
KUH.40123	2036x535x16mm	x1
KUH.60188	1034x150x2,5mm	x1
KUH.90184	2036x130x16mm	x1

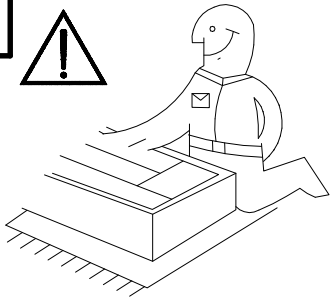


 A 8	 K 2	 P8 4	 B 8	 J 4	 E1 8	 O 1
 HG 2	 P5 4	 P7 10-15	 K16 2	 S25 1	 R2 2	

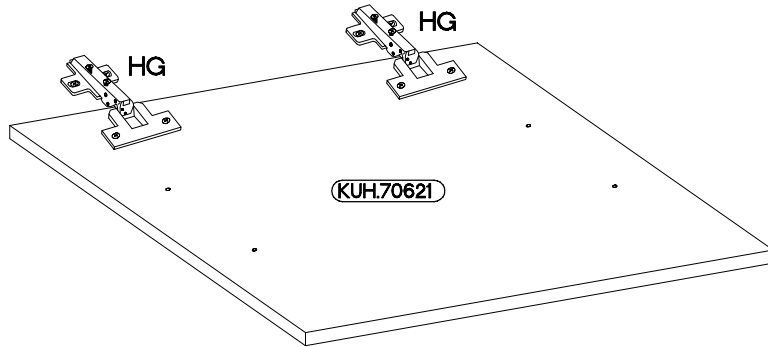
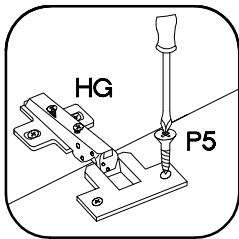
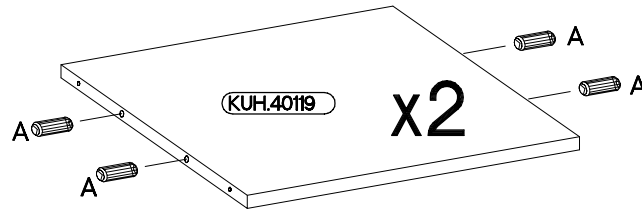
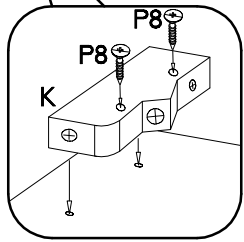
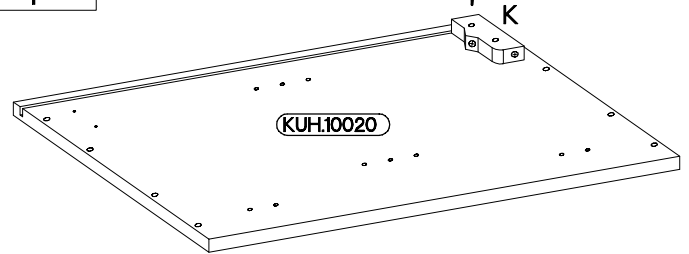
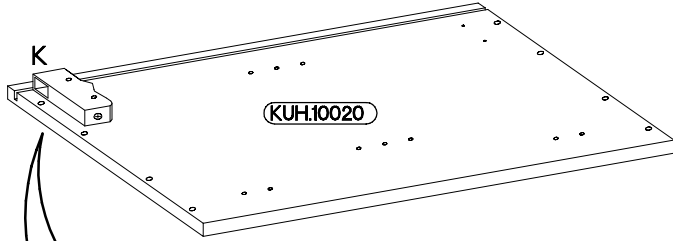
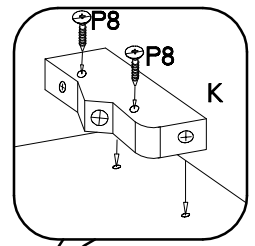


ISM-KUH-00793

1

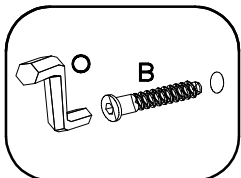
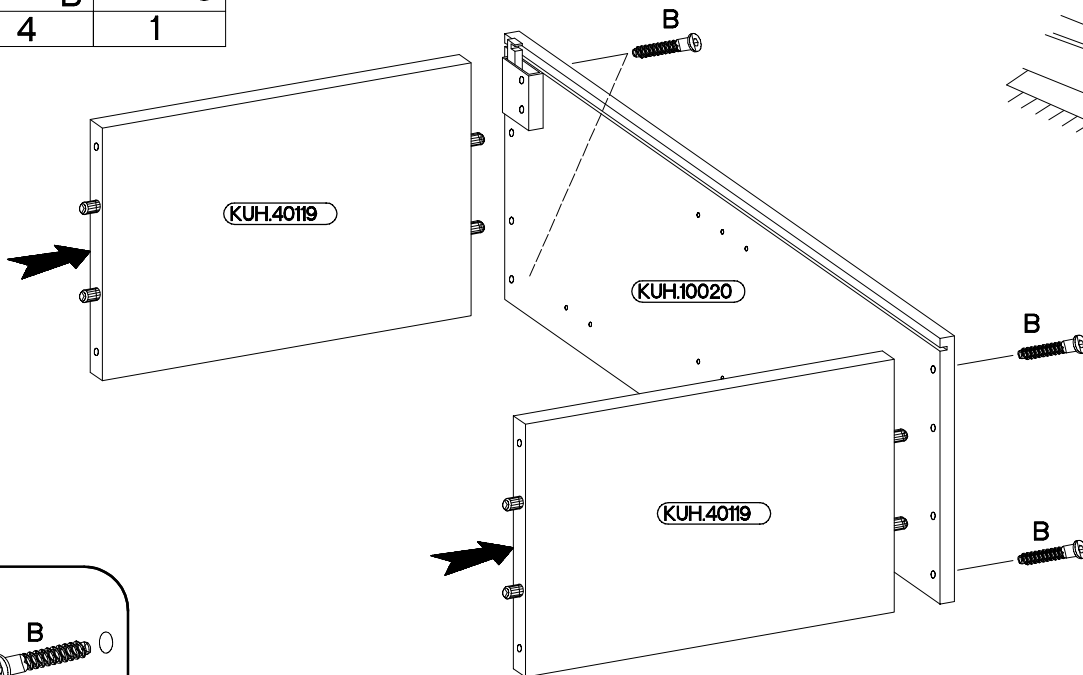
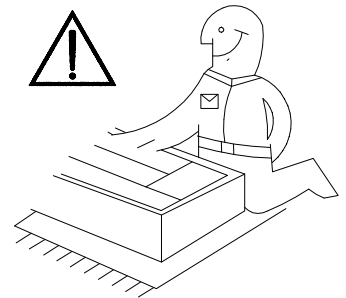


$\varnothing 8 \times 30 \text{mm}$ A 8	 K 2	$\varnothing 4.0 \times 30 \text{mm}$ P8 4
$\varnothing 35/0 \text{mm}$ HG 2	$\varnothing 3.5 \times 13 \text{mm}$ P5 4	


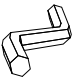


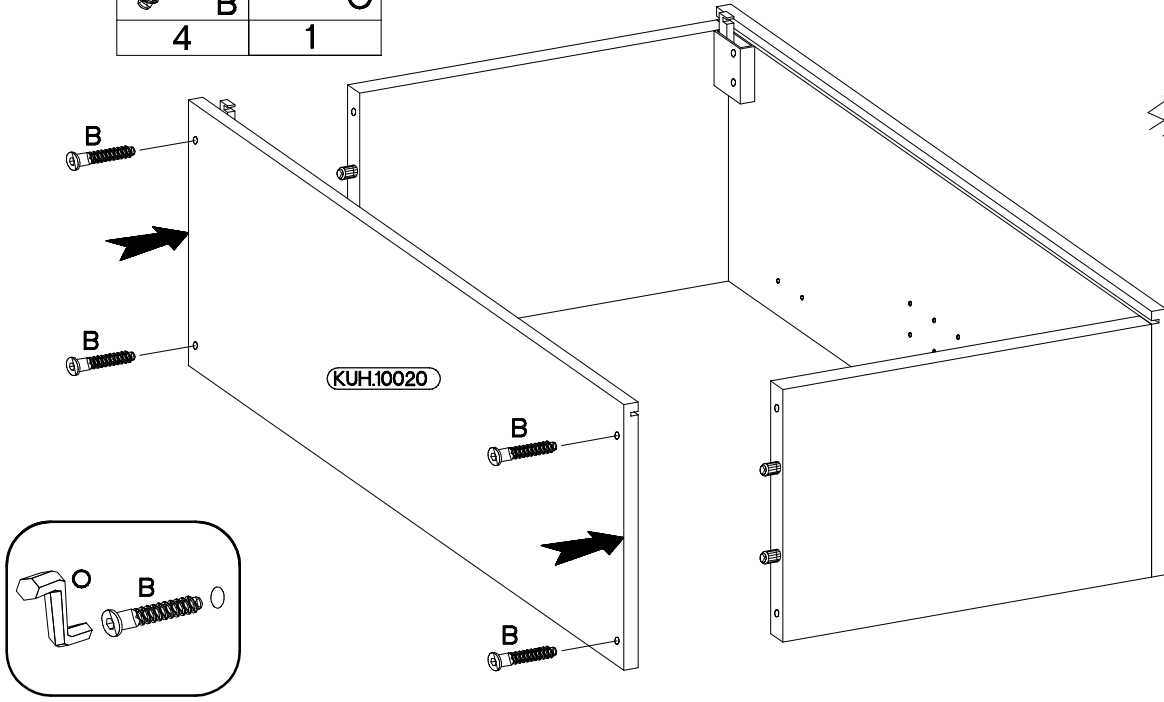
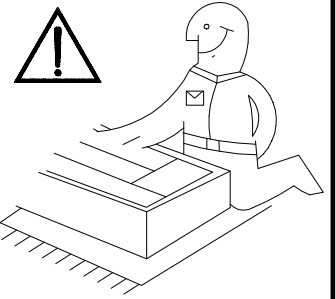
2

$6,4 \times 50 \text{mm}$ B 4	 O 1
--	-------------------




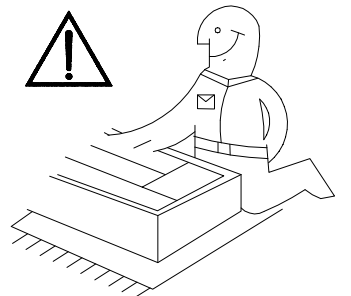
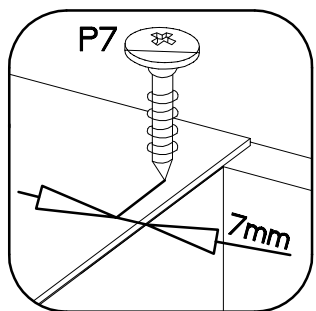
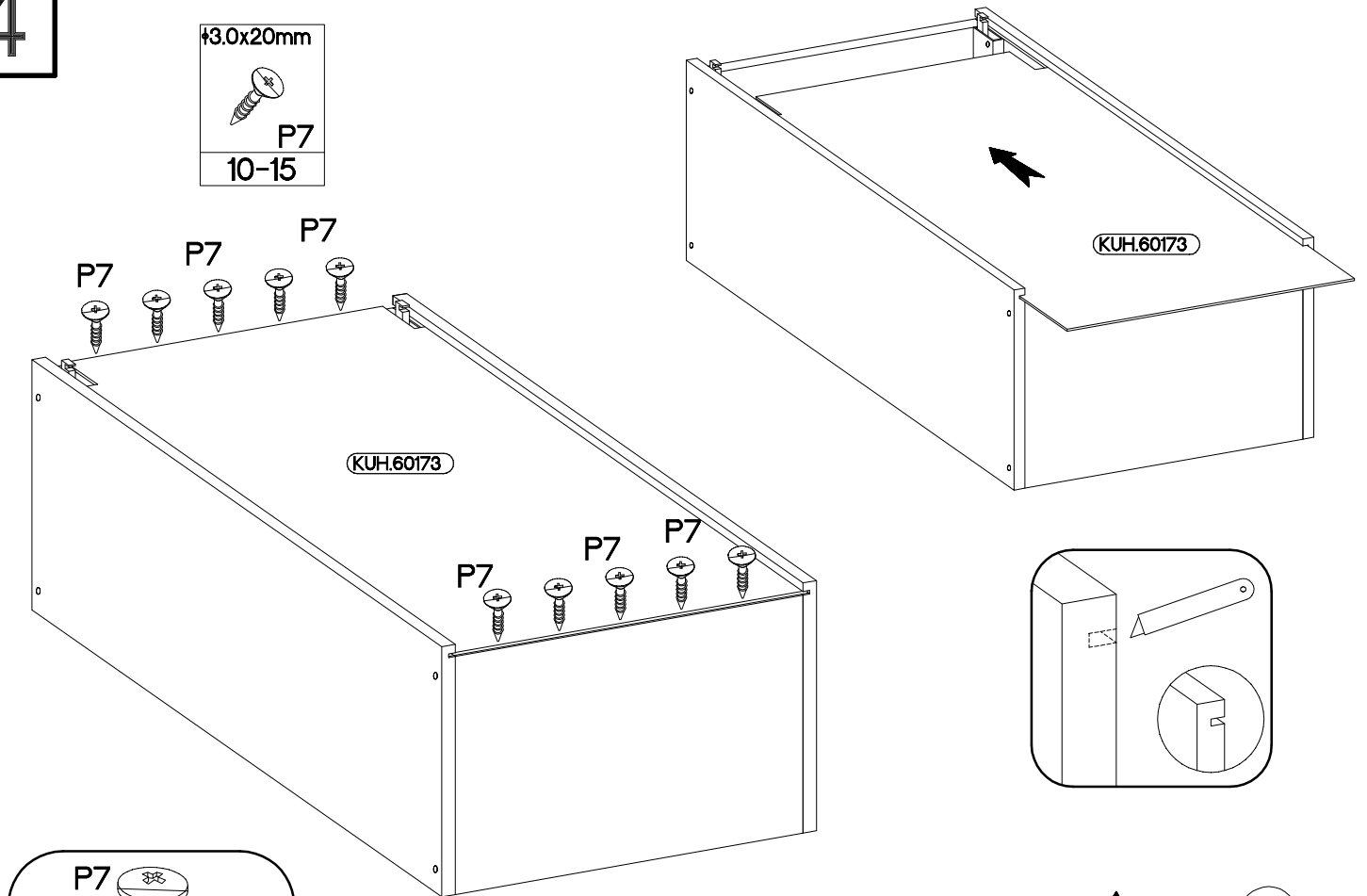
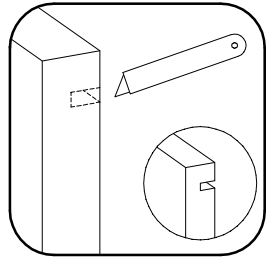
3

6,4 x 50mm	
	
B	O
4	1

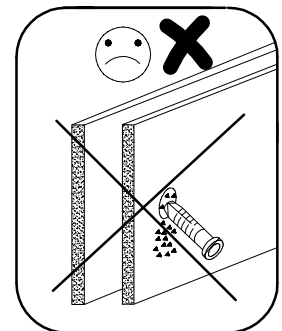
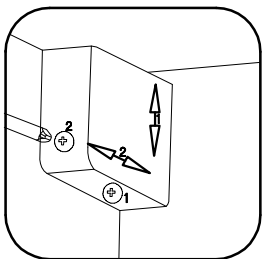
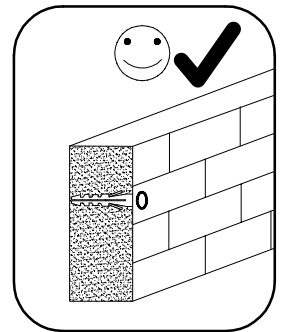
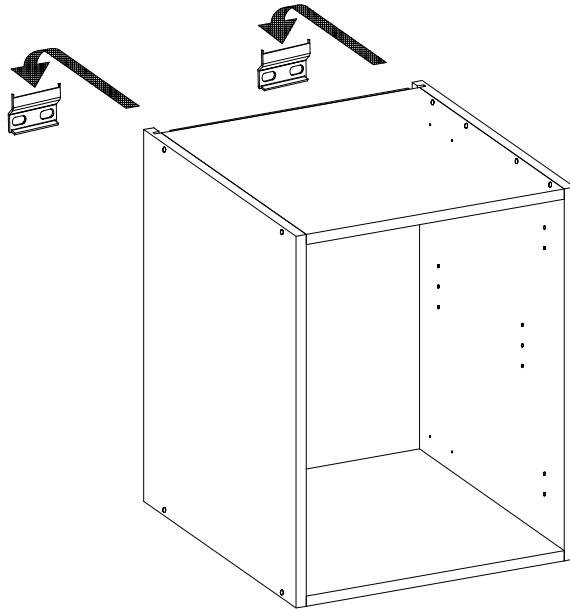
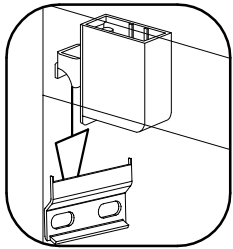
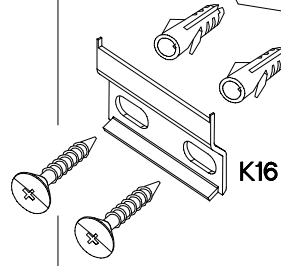
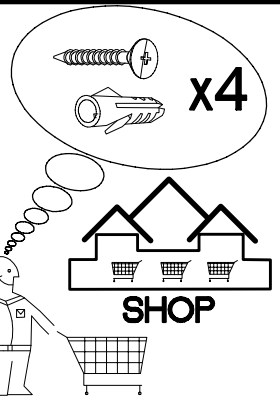
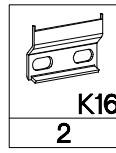
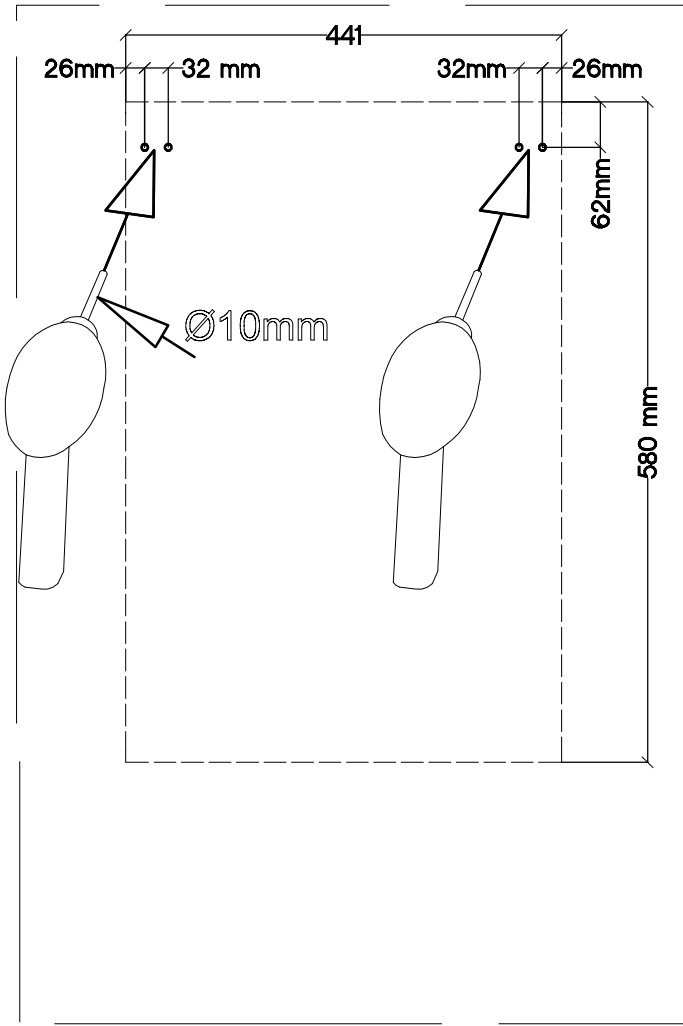


4

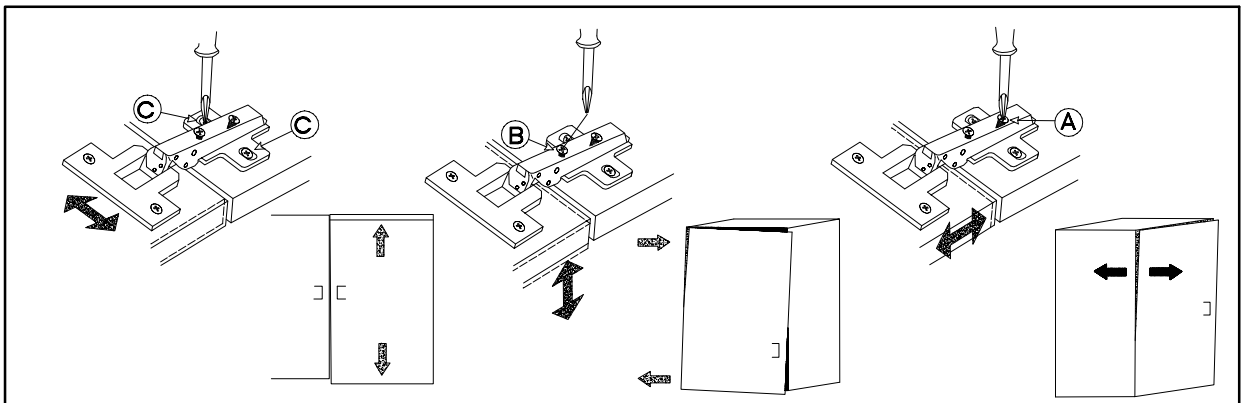
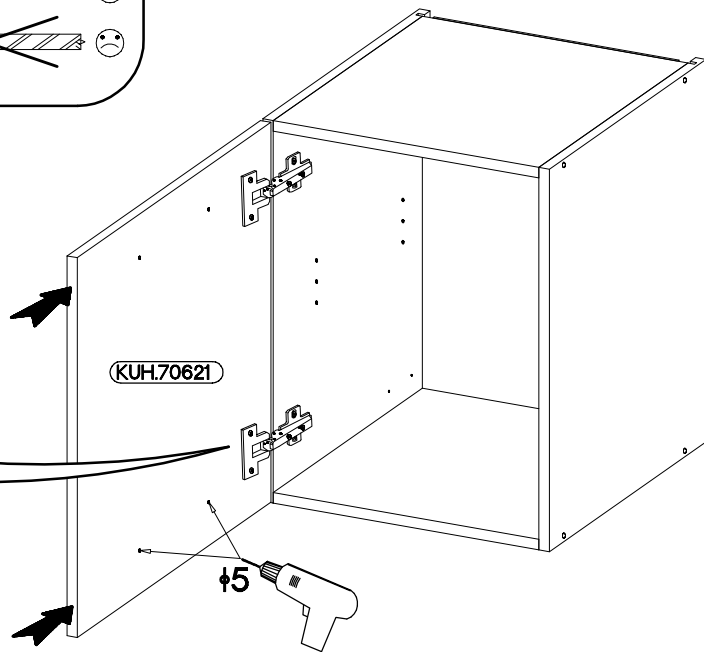
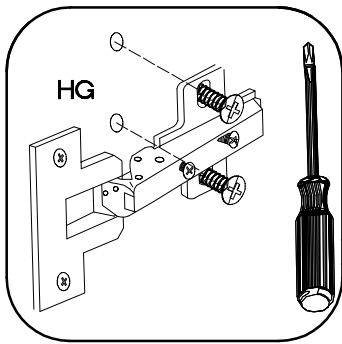
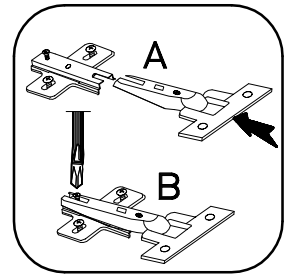
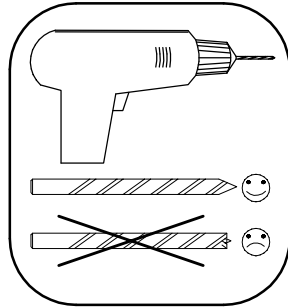
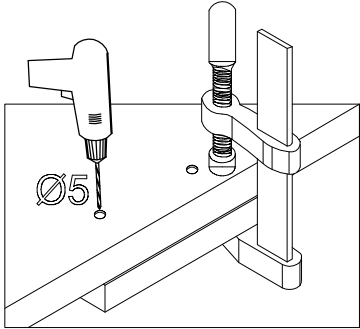
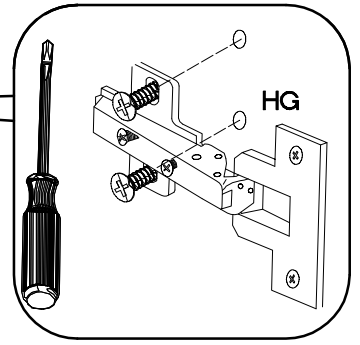
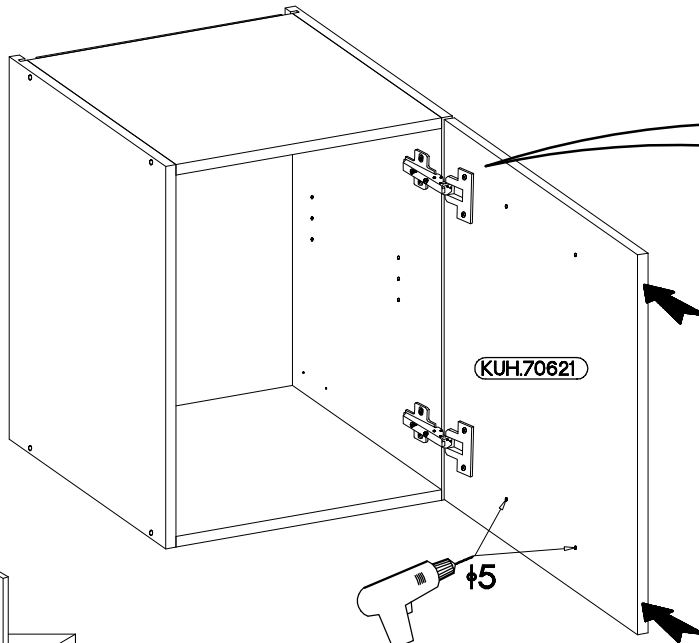
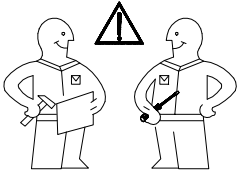
+3.0x20mm	
	P7
10-15	



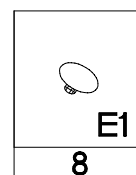
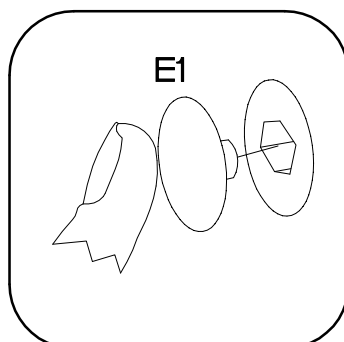
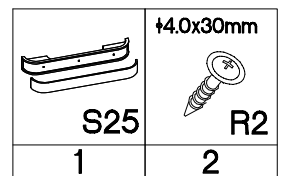
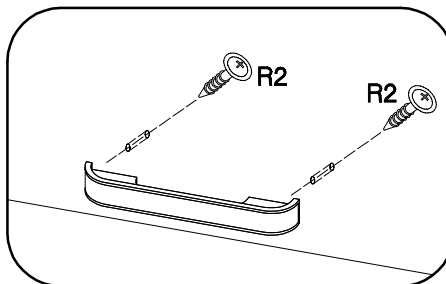
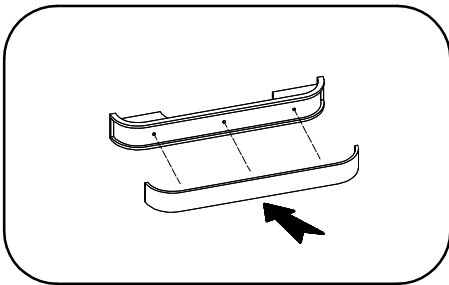
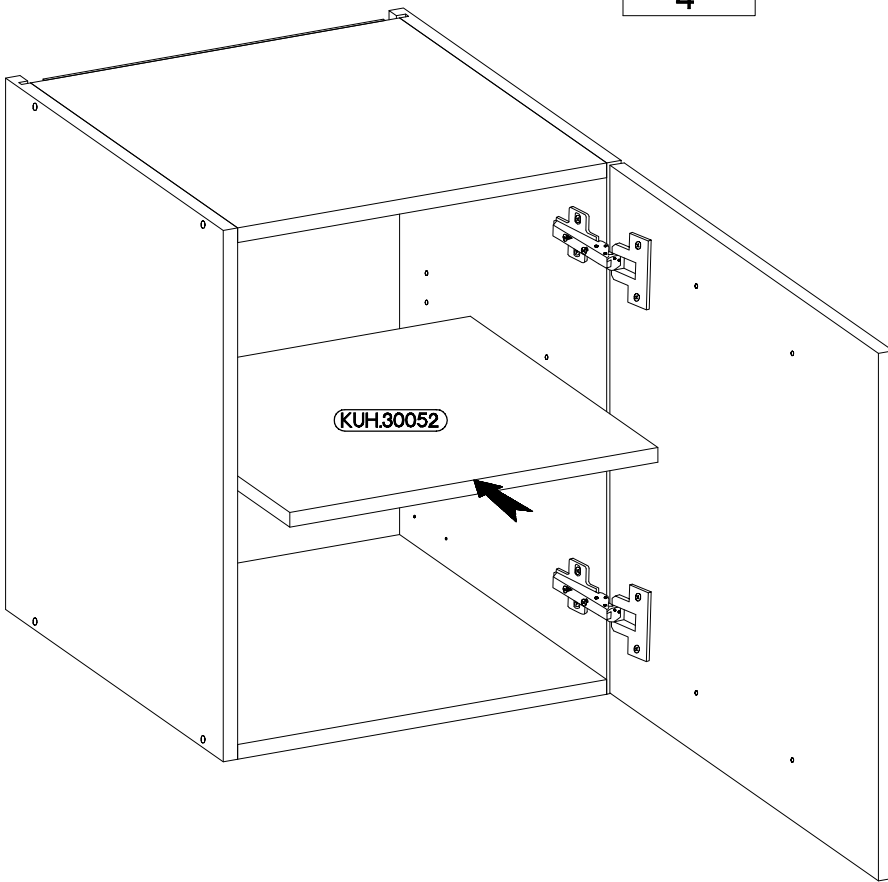
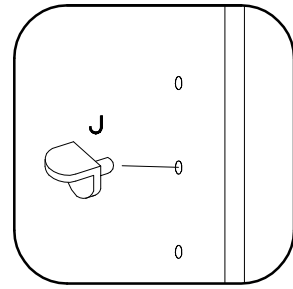
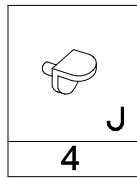
5

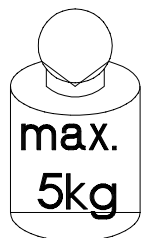
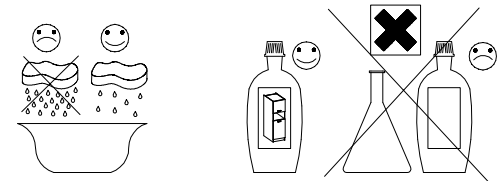
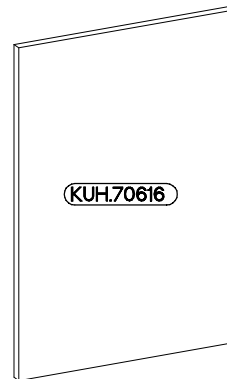
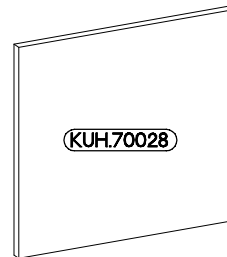
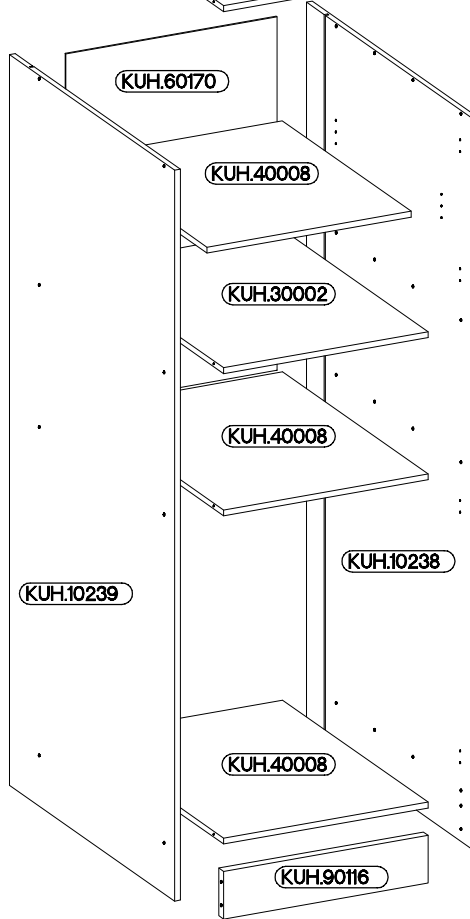
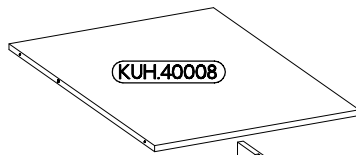
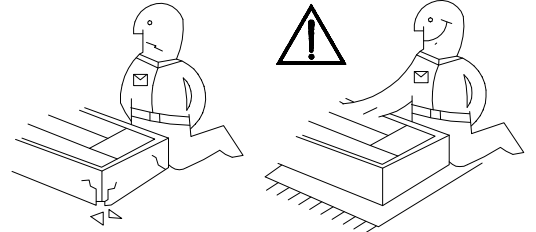
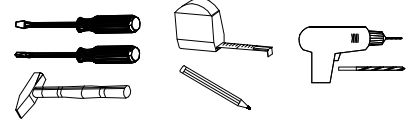
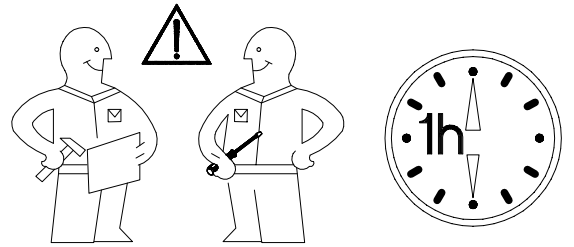
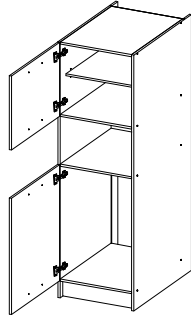
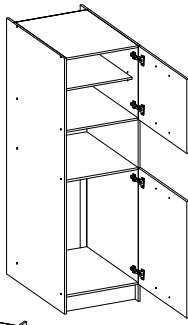
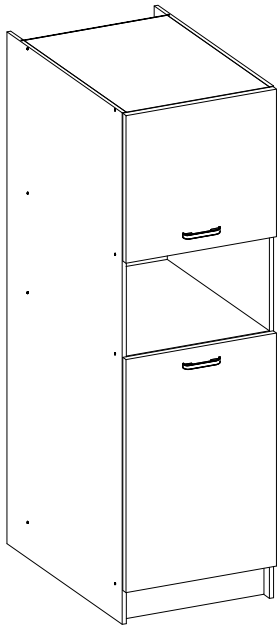


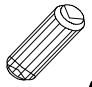
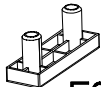


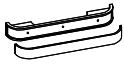

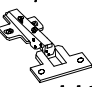





6

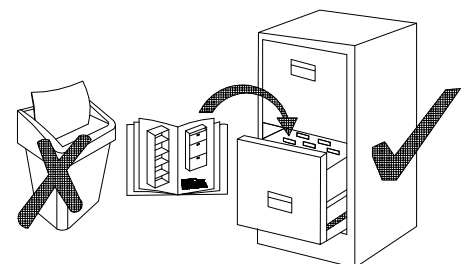


7



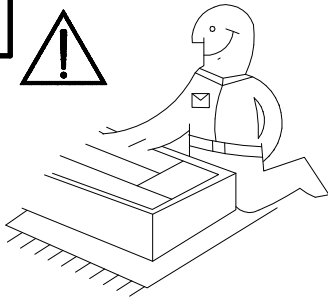


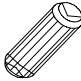

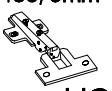

 A 20	 F2 4	 L19 1	 J 4	 S25 2	 R2 4
 HG 4	 P5 10	 B 16	 O 1	 P7 15-20	 E1 16

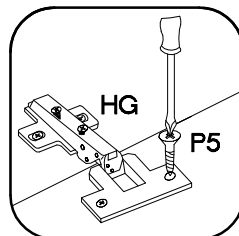
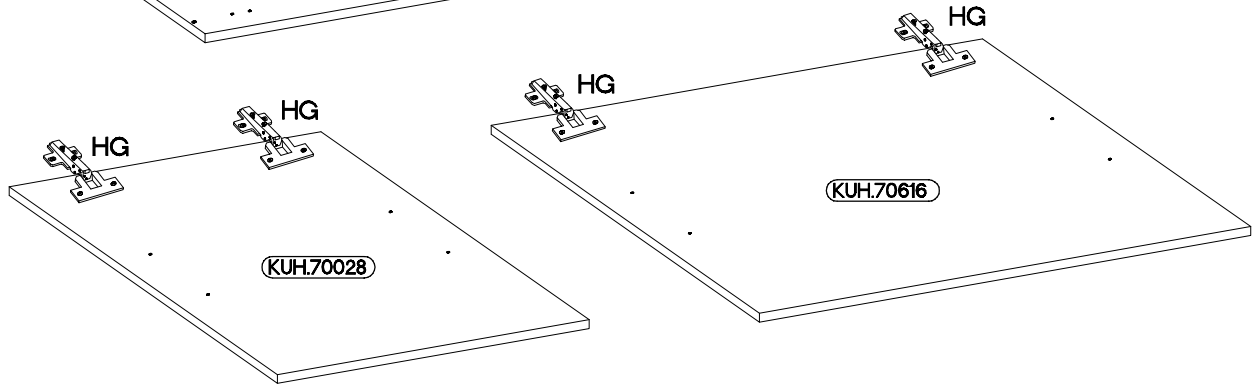
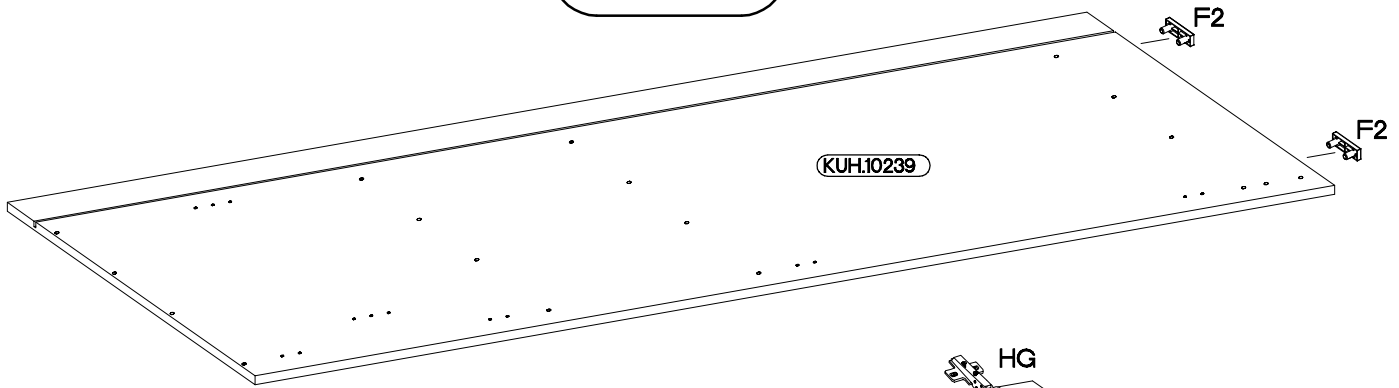
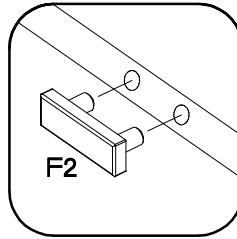
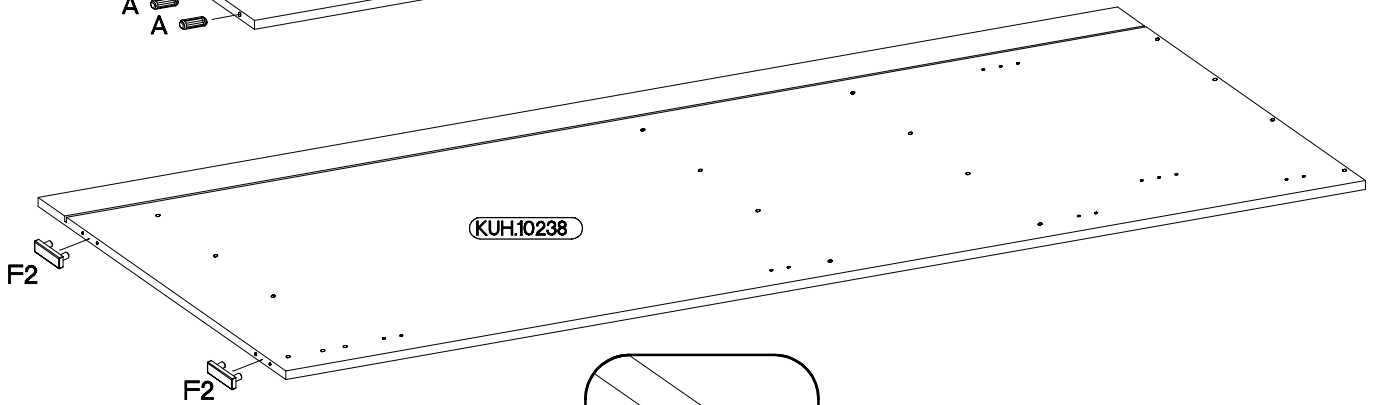
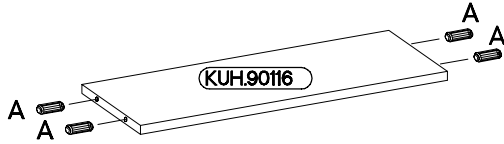
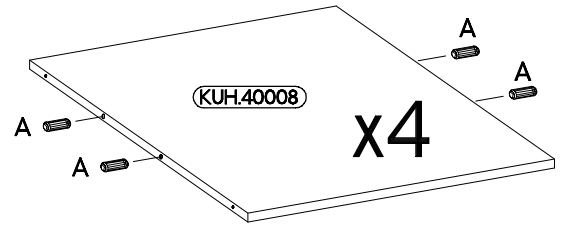


ISM-KUH-00792

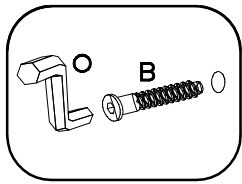
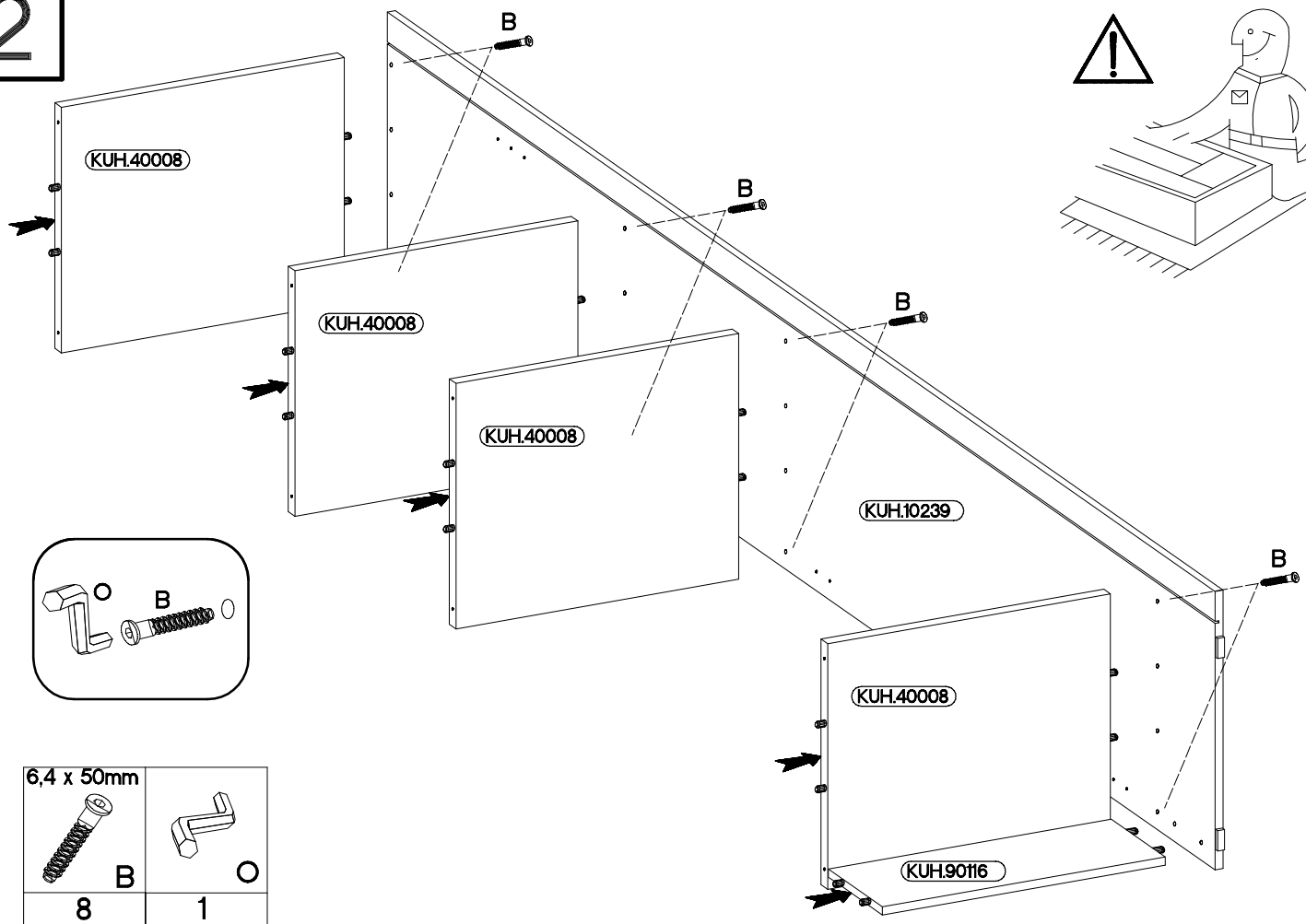
1



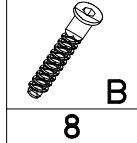
+8x30mm  A	6.5x48x16  F2
20	4
+35/0mm  HG	+3.5x13mm  P5
4	8



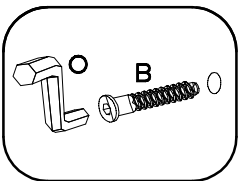
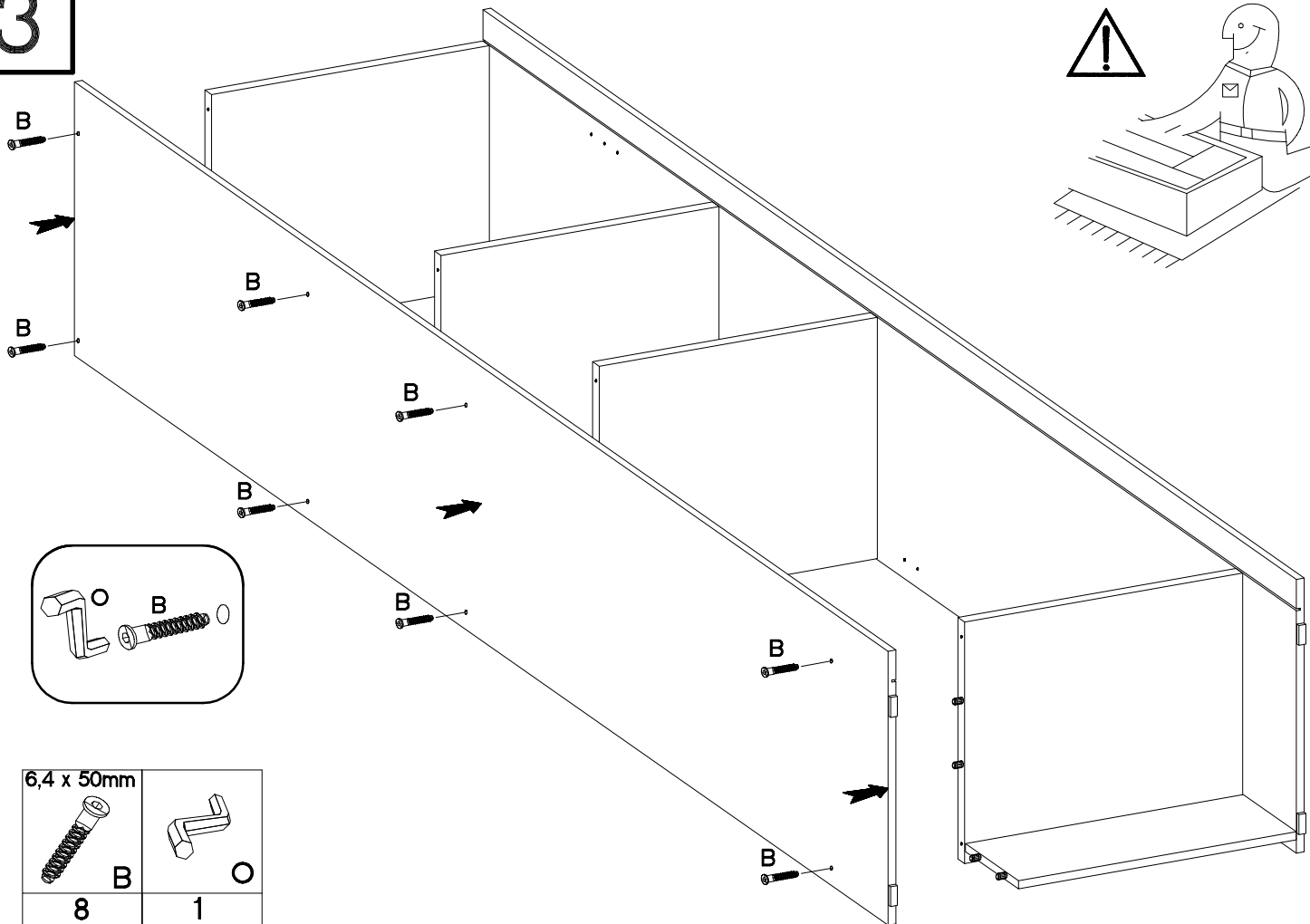
2



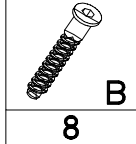
6,4 x 50mm



3

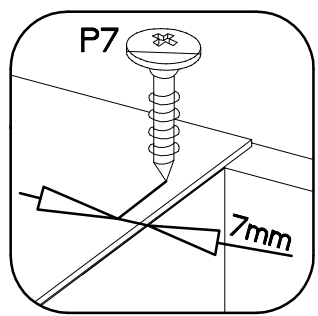
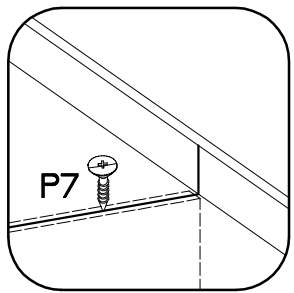
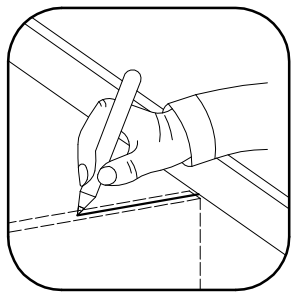
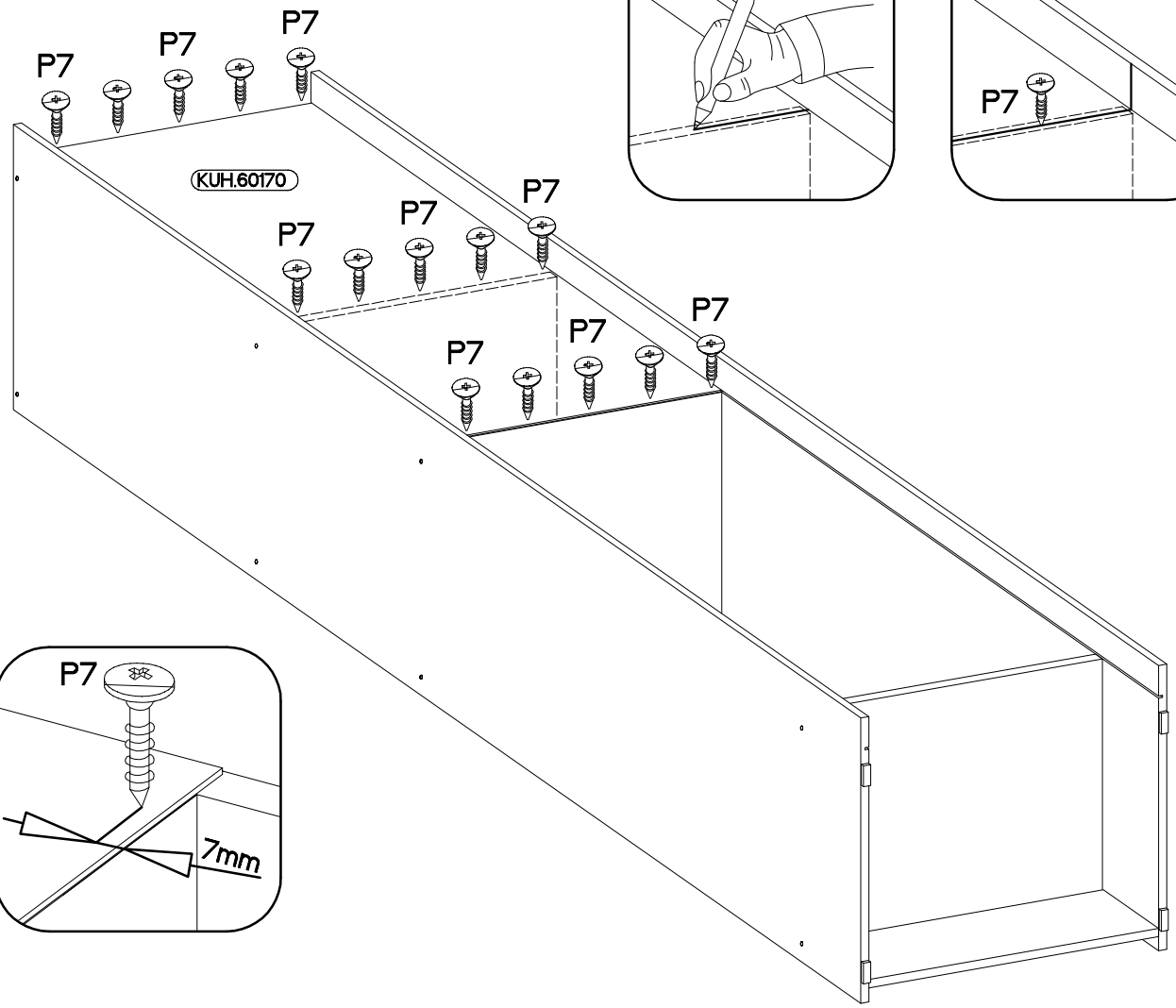
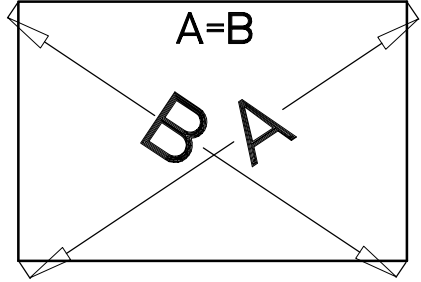
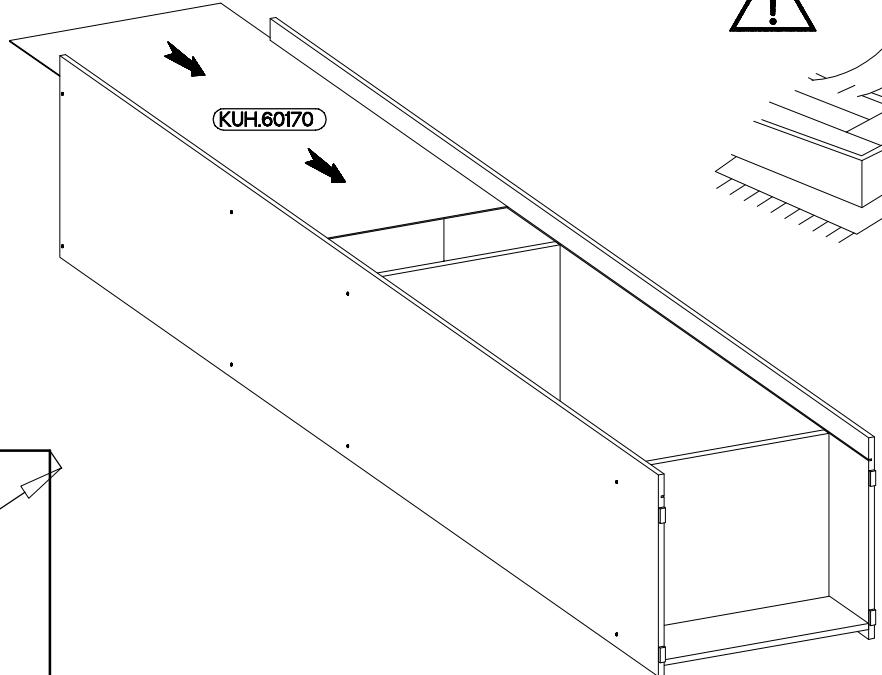
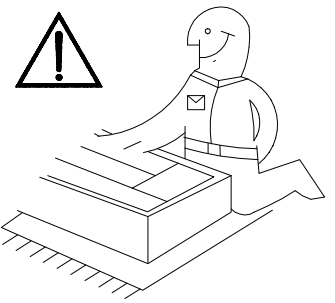


6,4 x 50mm



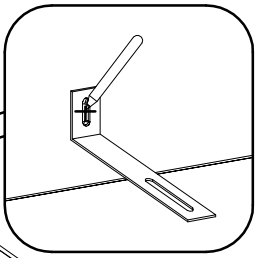
4

3.0x20mm
P7
15-20


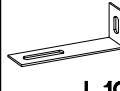


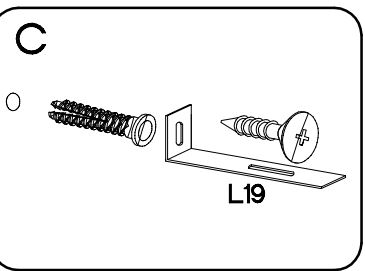
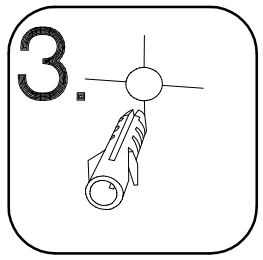
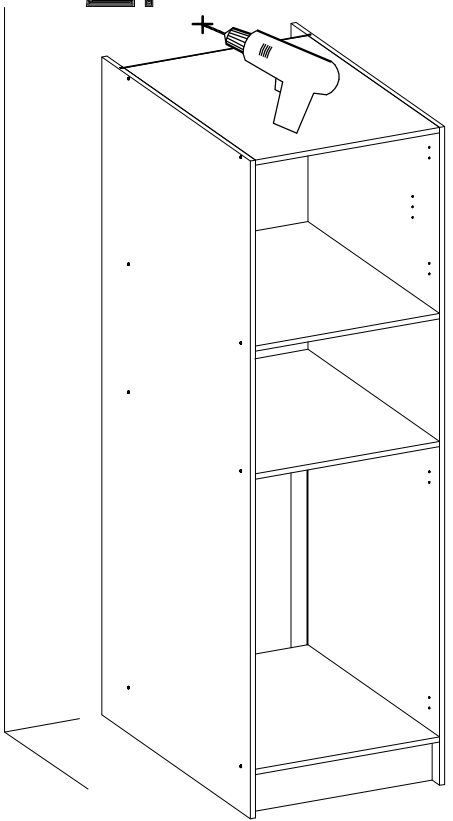
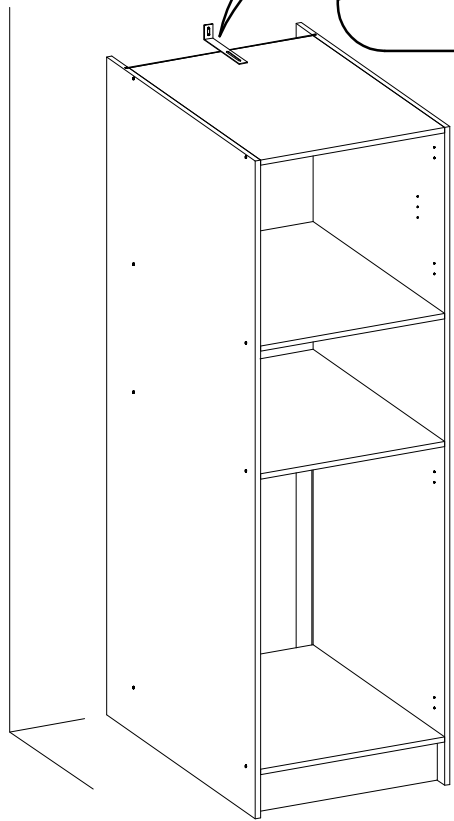
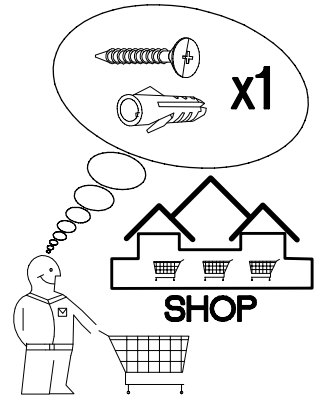
5

1.

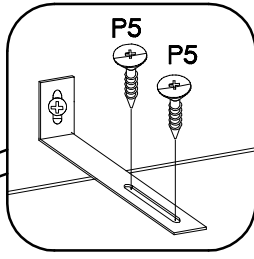


2.

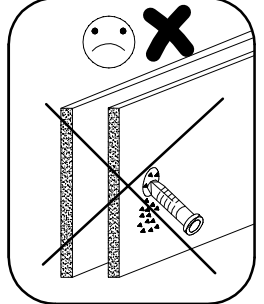
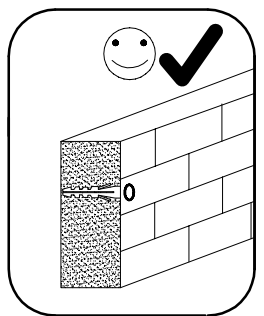
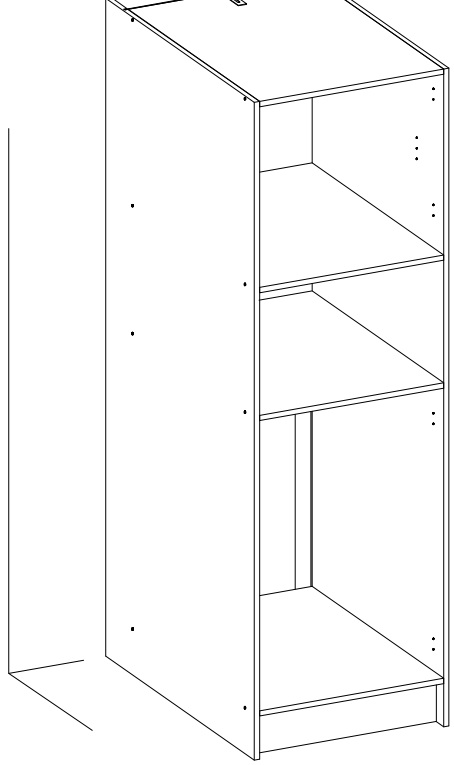
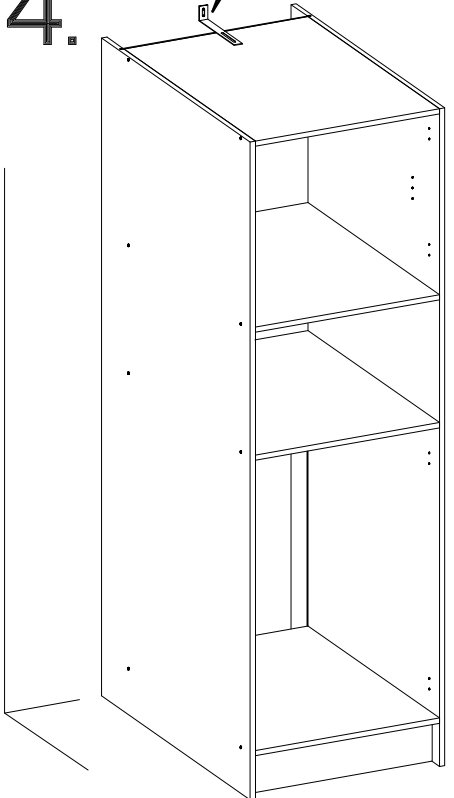
$\varnothing 3.5 \times 13 \text{mm}$  P5 2	 L19 1
--	---

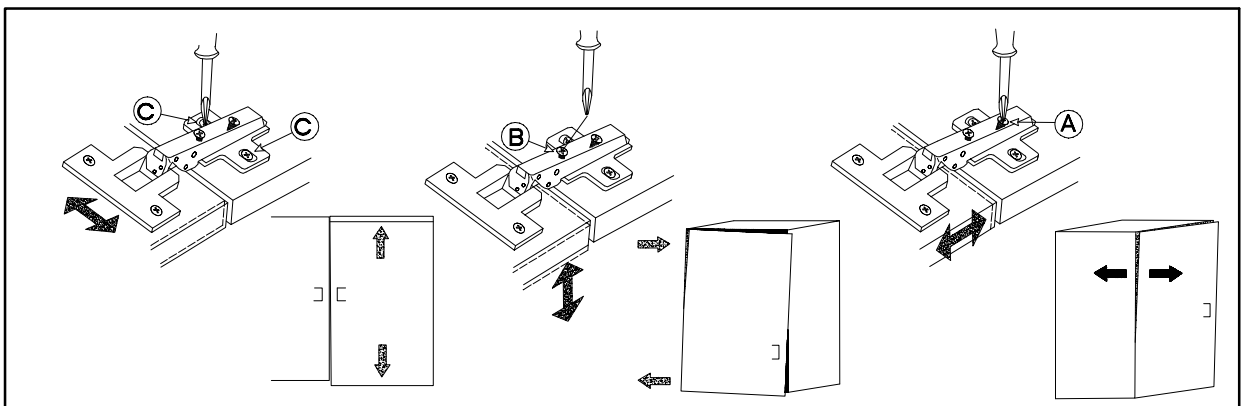
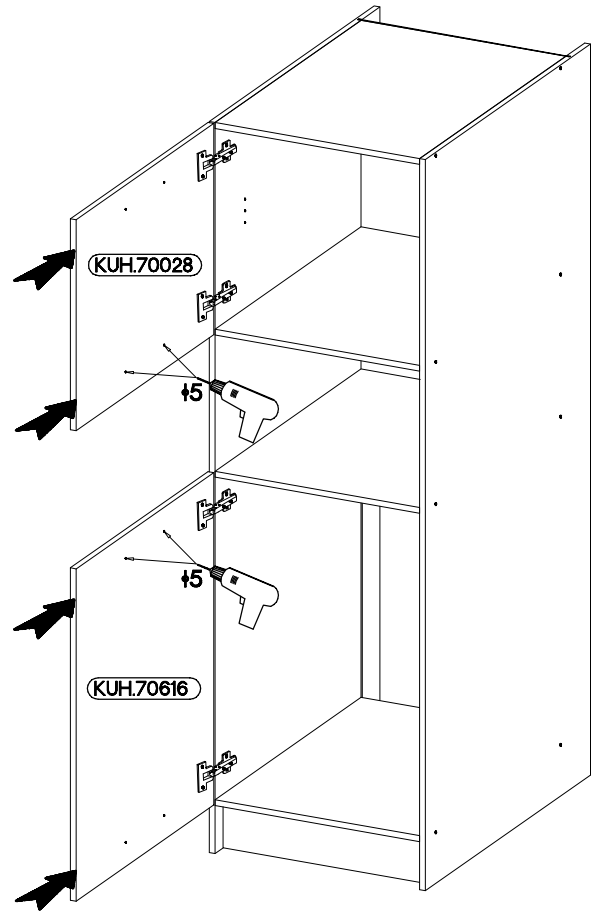
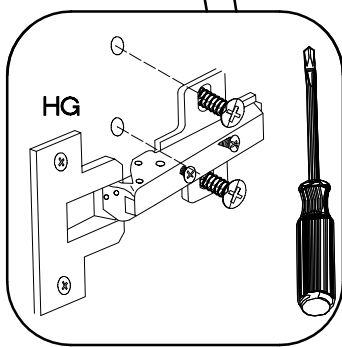
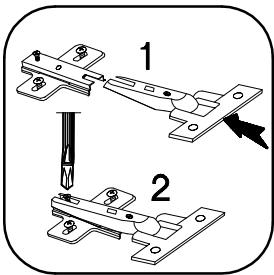
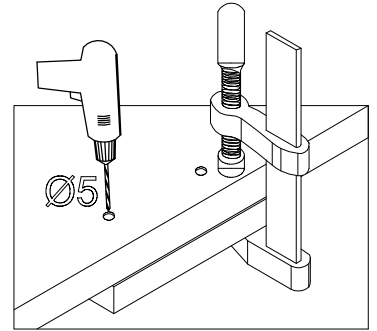
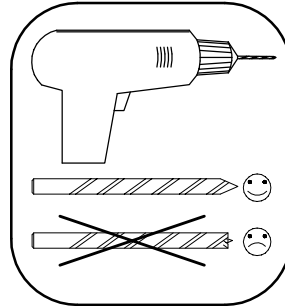
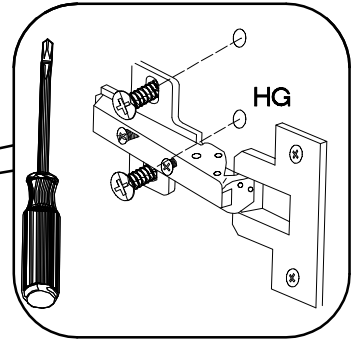
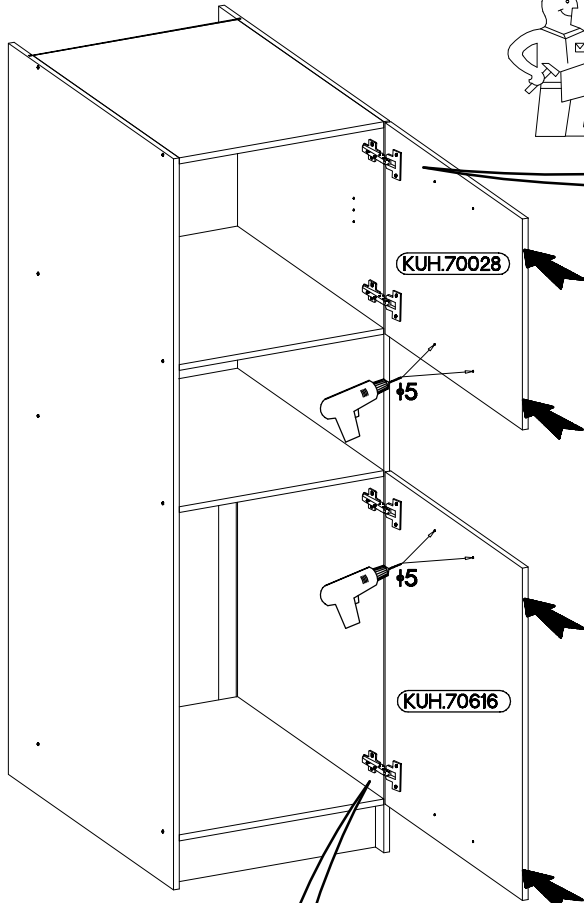
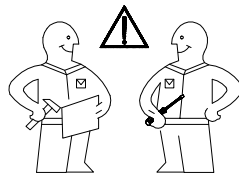


5.

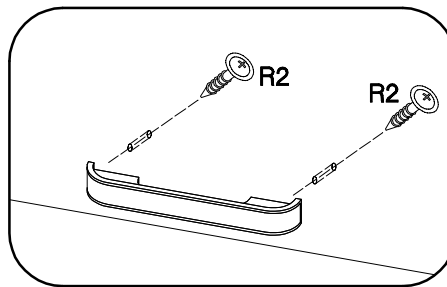
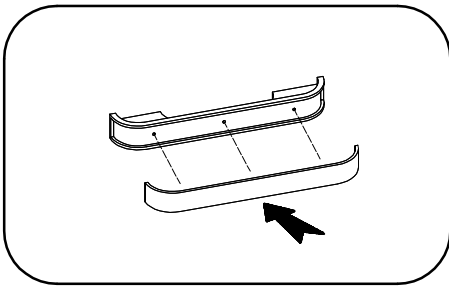
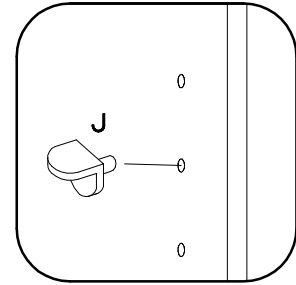
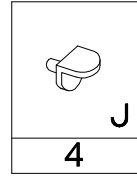
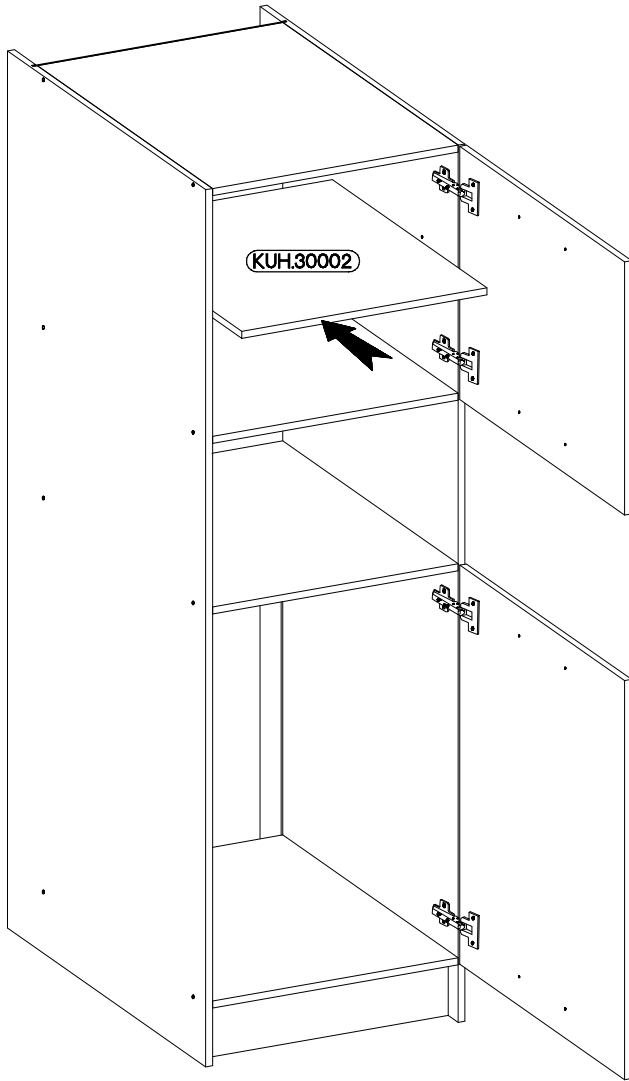


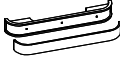

4.

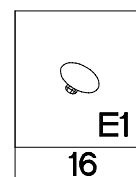
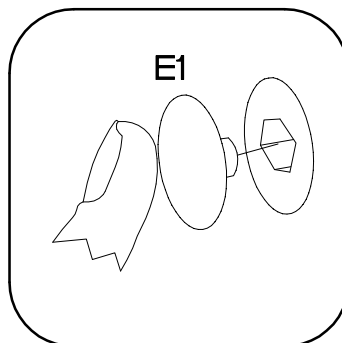


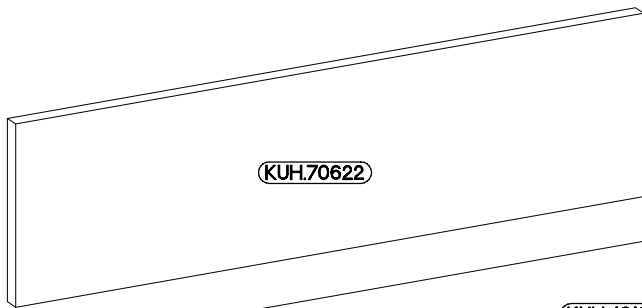
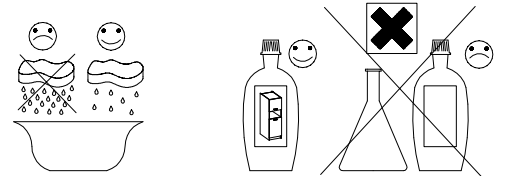
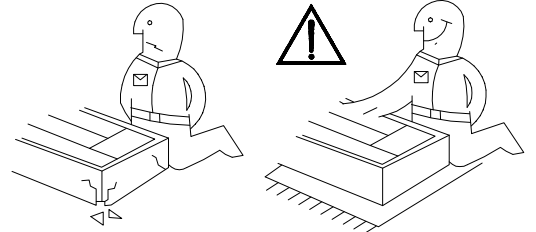
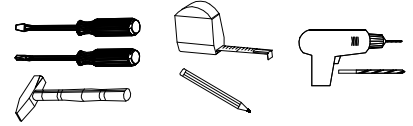
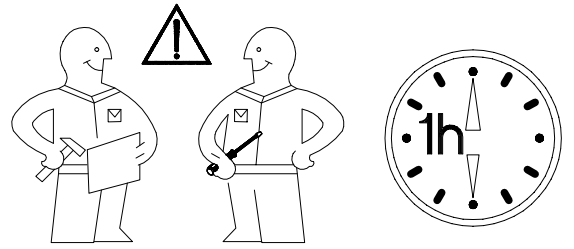
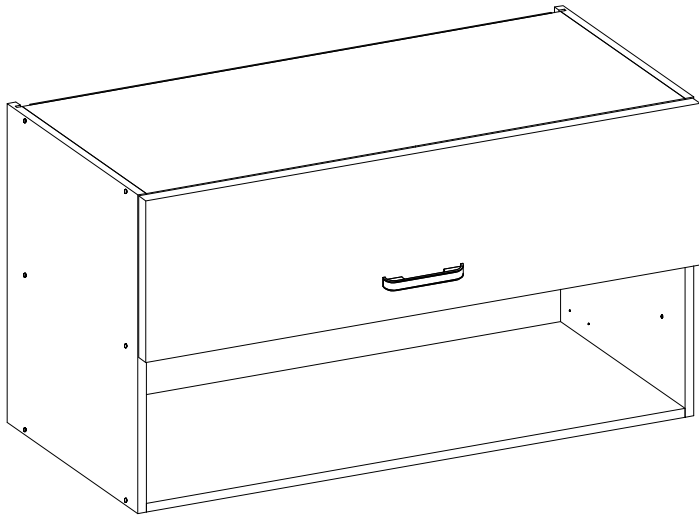


7

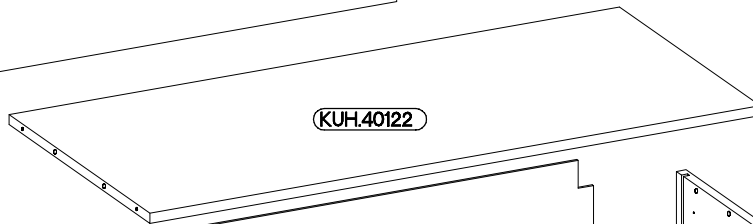


	4.0x30mm
S25	 R2
2	4

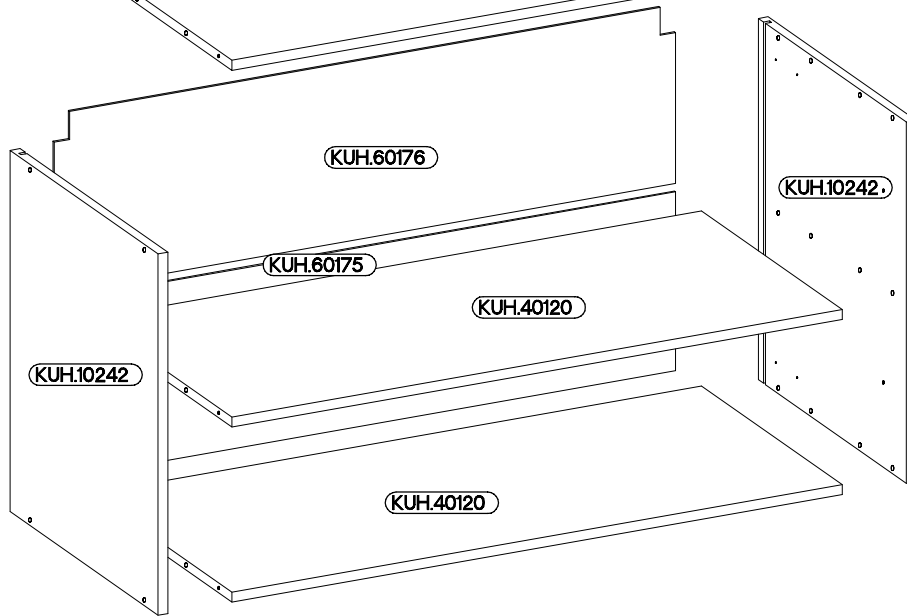




KUH.70622



KUH.40122



KUH.60176

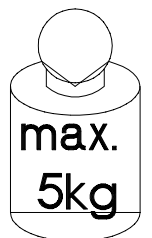
KUH.60175

KUH.40120

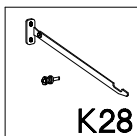
KUH.10242

KUH.10242

KUH.40120



max.
5kg



K28

1

+8x30mm



A

12



K

2

+3.5x13mm



P5

6

+4.0x30mm



P8

4

6,4 x 50mm



B

12

+3.0x20mm



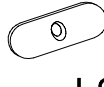
P7

15-20



O

1



L2

3

+3.0x25mm



P9

1



S25

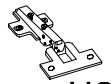
1

+4.0x30mm



R2

2



HG

2



P5

6



B

12



O

1



K16

2



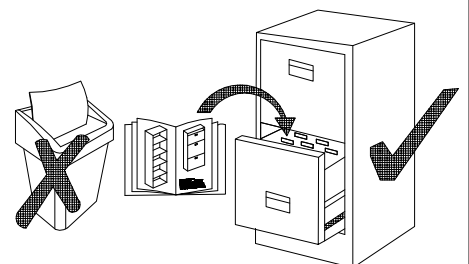
S25

1



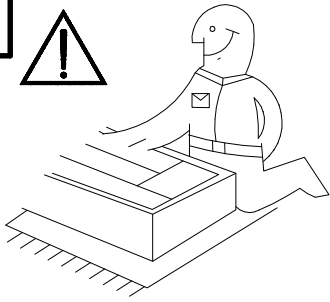
E1

8

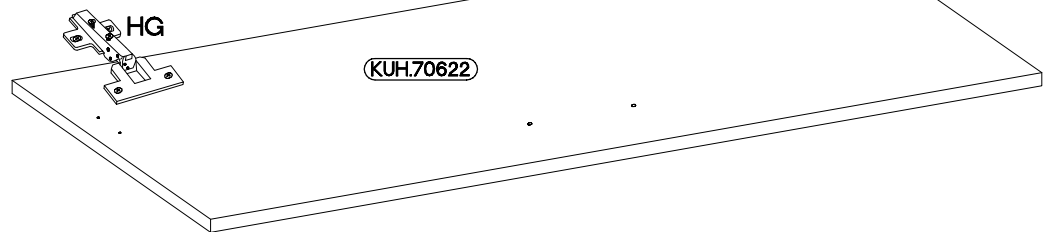
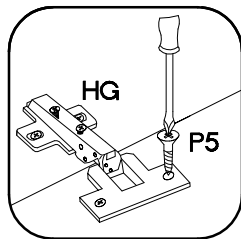
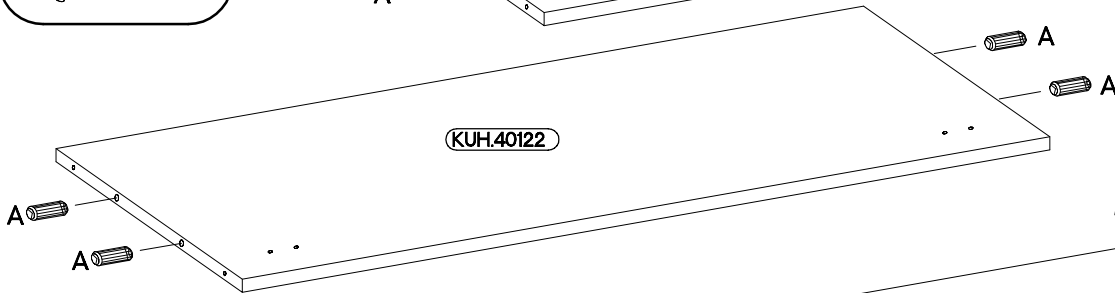
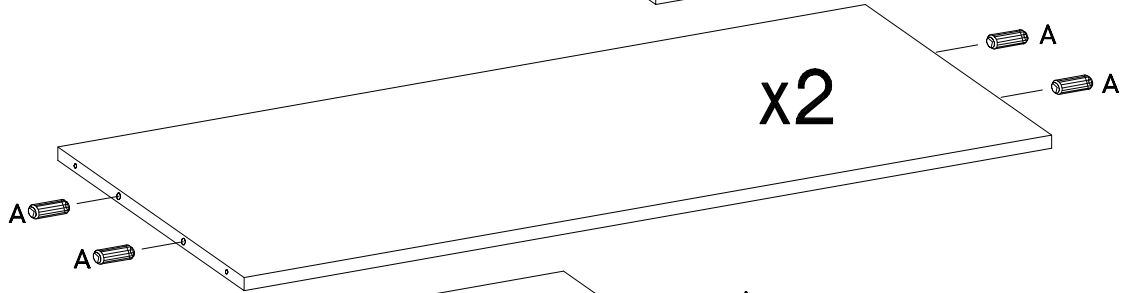
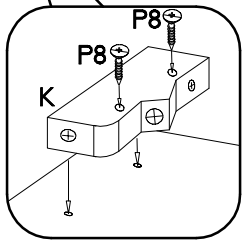
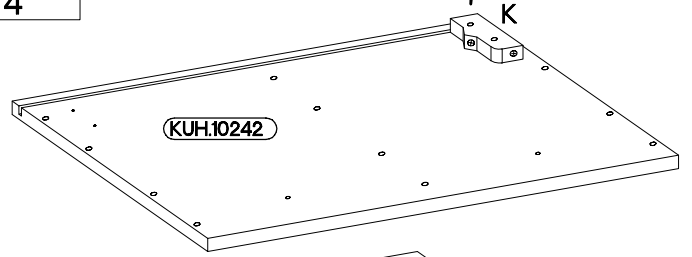
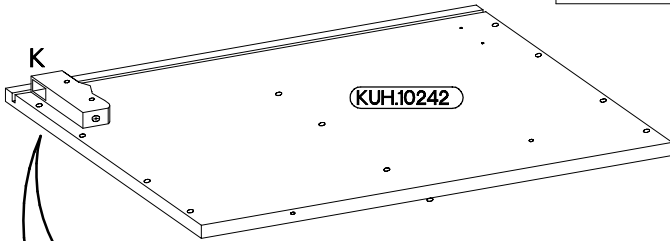
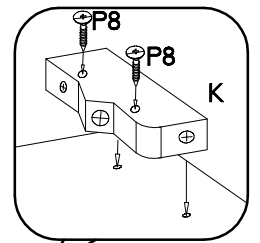


ISM-KUH-00794

1

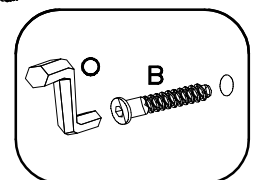
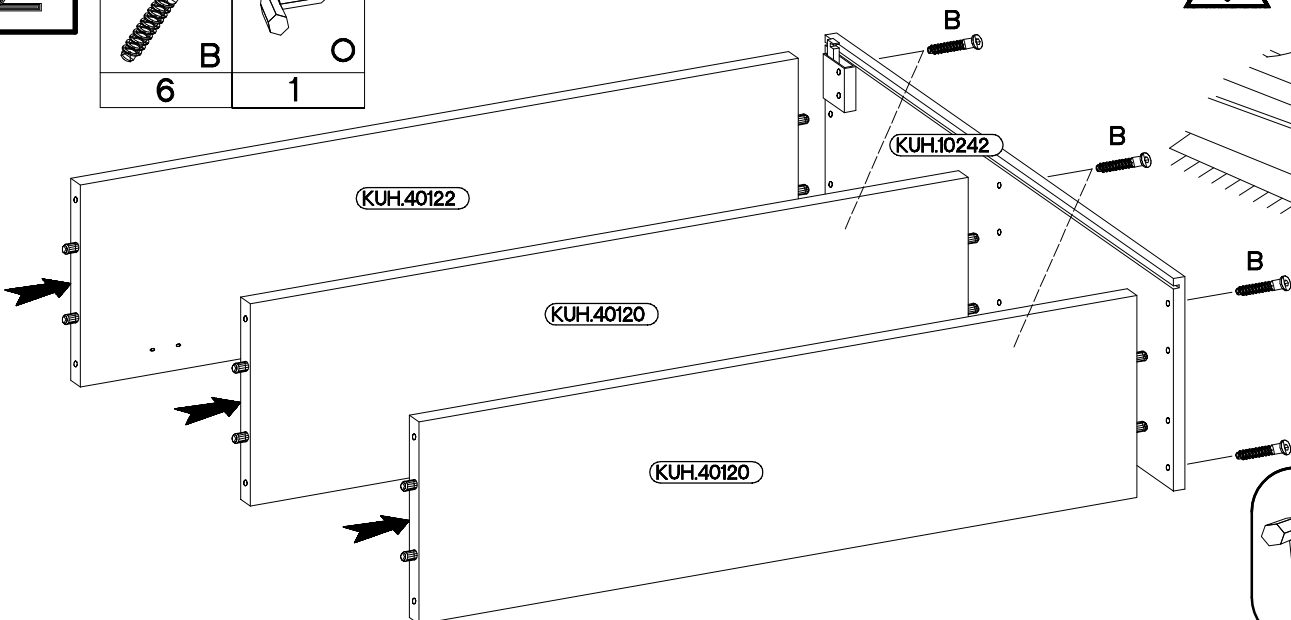
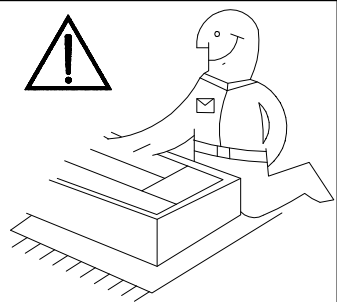


$\pm 8 \times 30 \text{mm}$ A 12	 K 2	$\pm 4.0 \times 30 \text{mm}$ P8 4
$\pm 35 / 0 \text{mm}$ HG 2	$\pm 3.5 \times 13 \text{mm}$ P5 4	


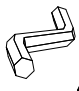


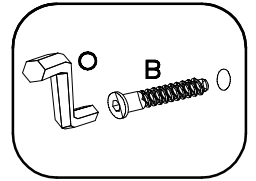
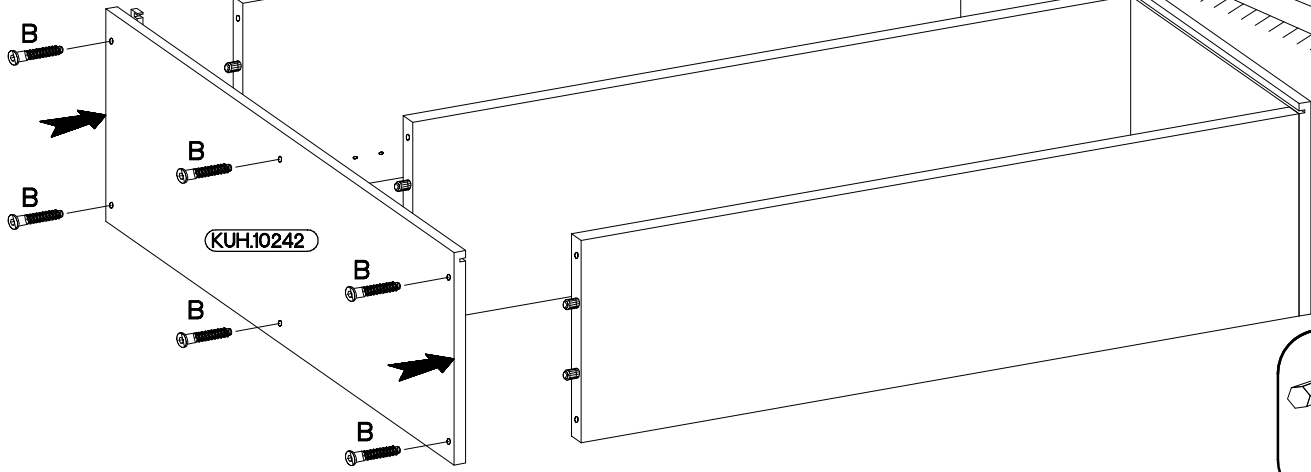
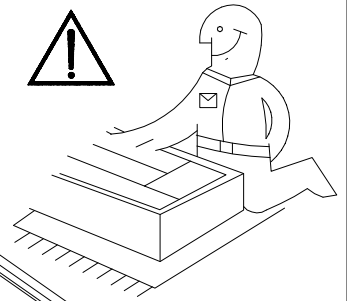
2

$6,4 \times 50 \text{mm}$ B 6	 O 1
--	-------------------


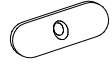


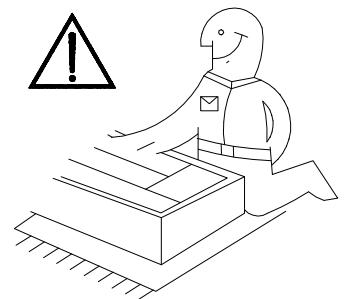
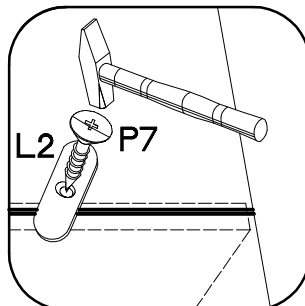
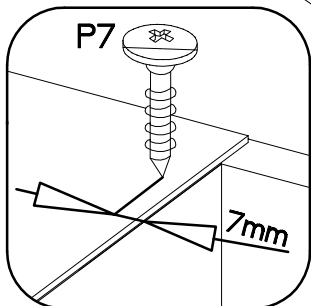
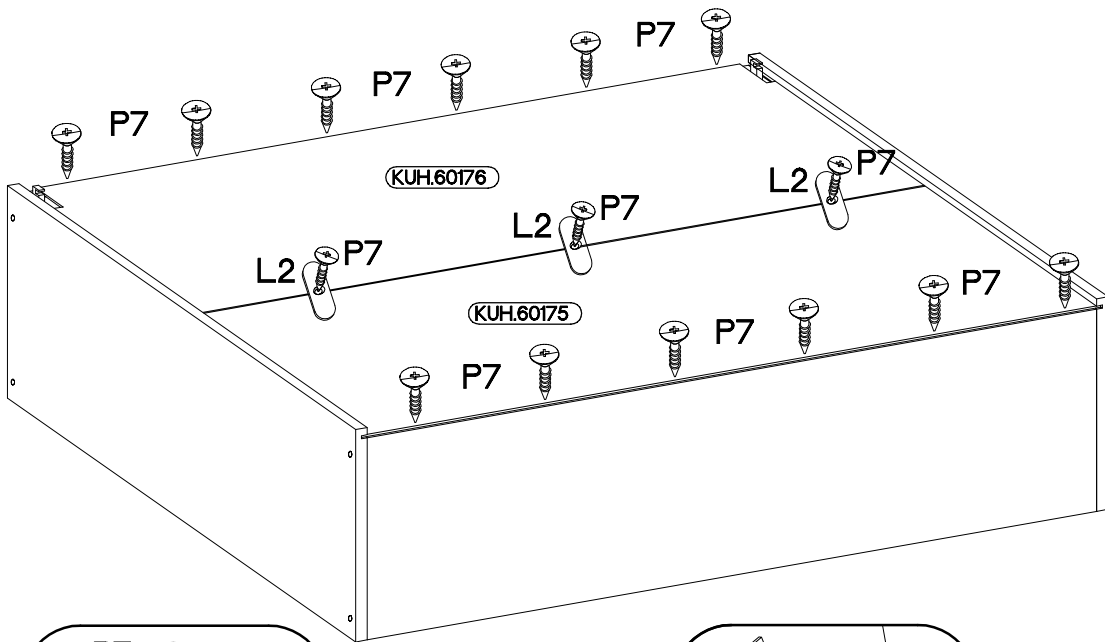
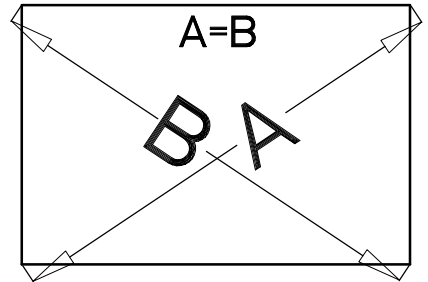
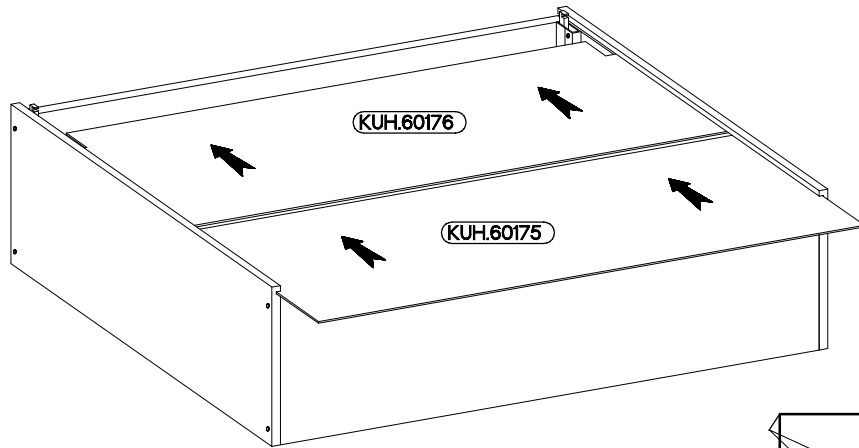
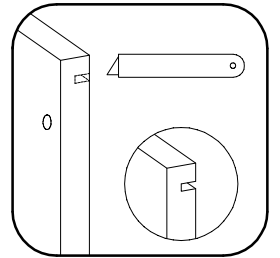
3

6,4 x 50mm	
	
B	O
6	1

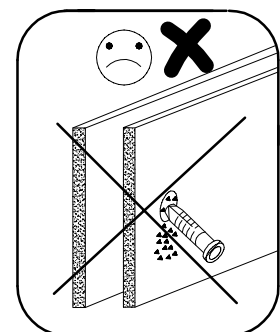
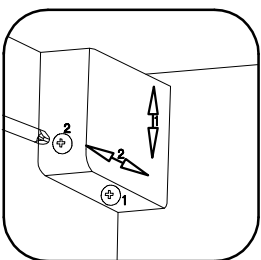
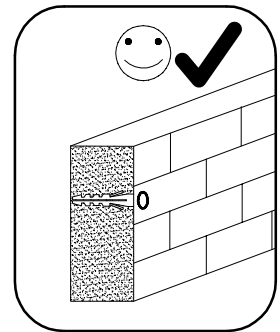
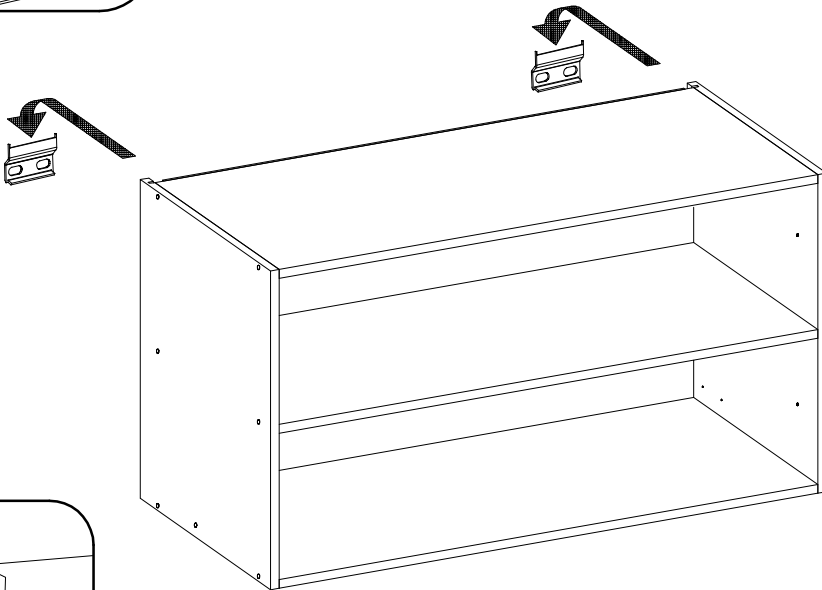
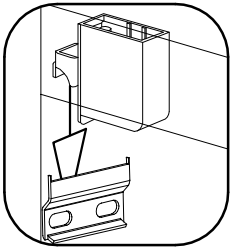
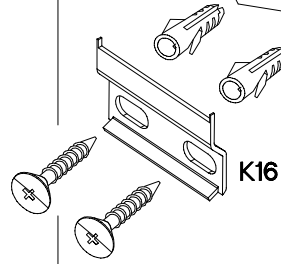
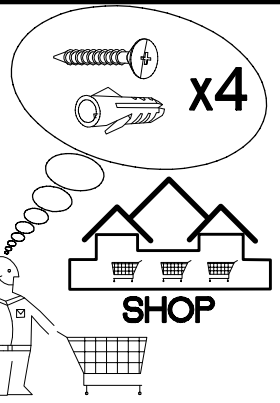
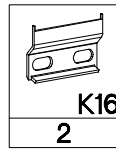
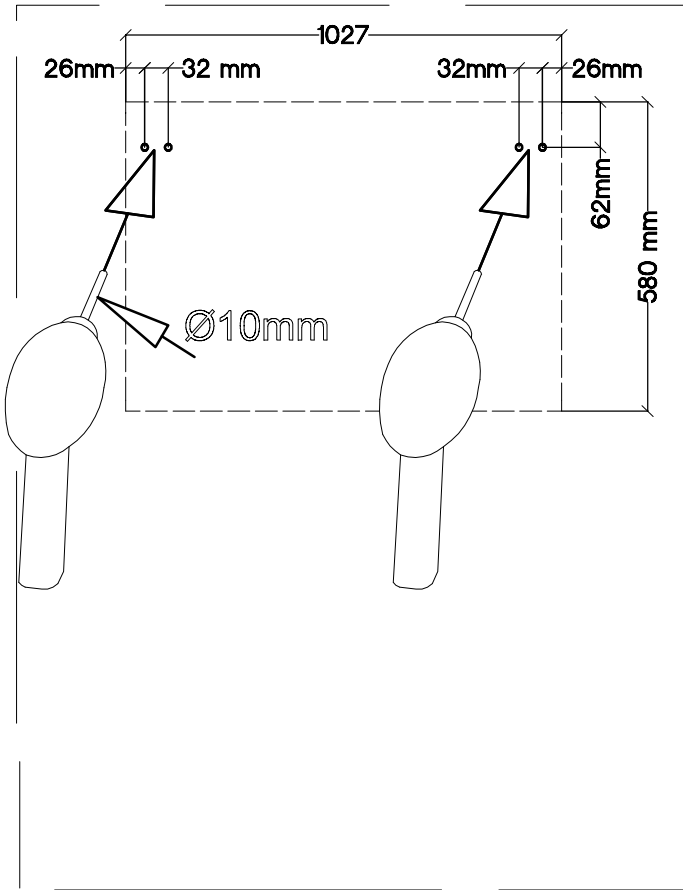


4

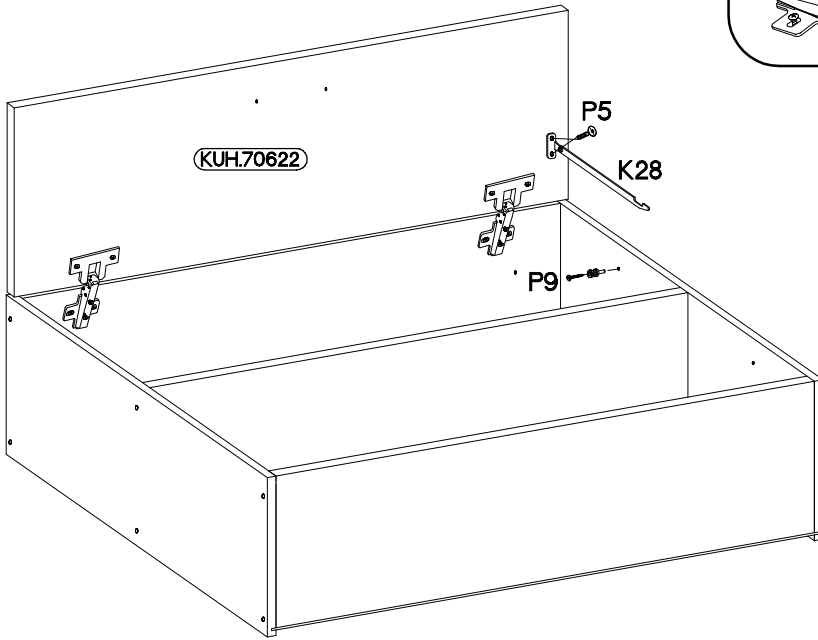
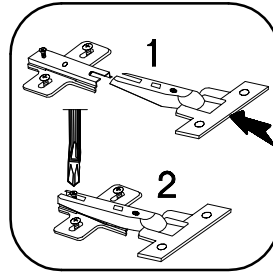
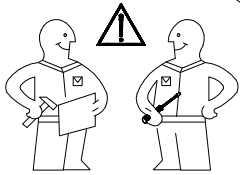
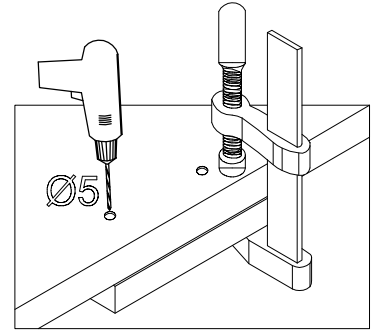
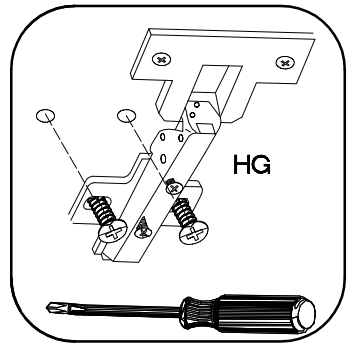
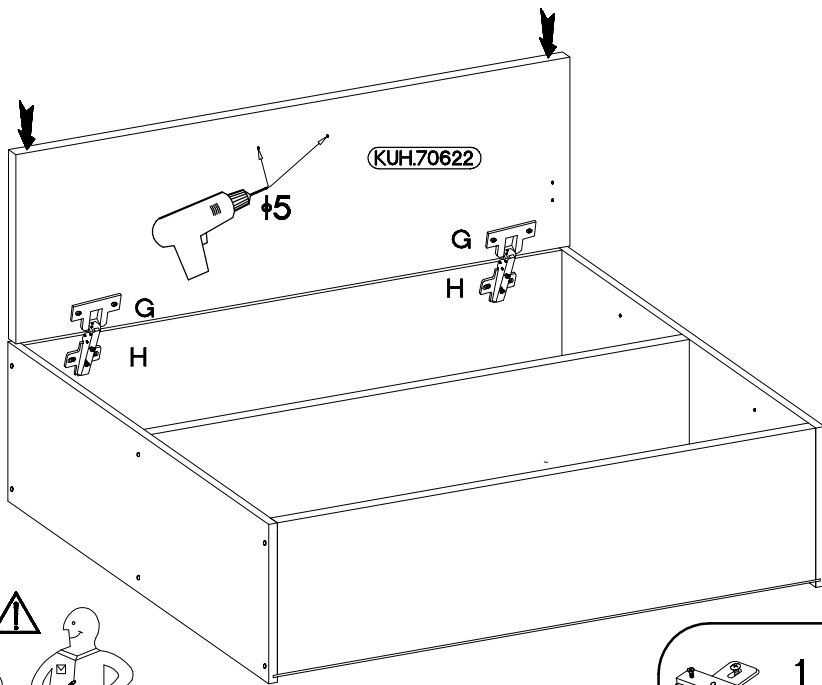
±3.0x20mm	
	
P7	L2
15-20	3



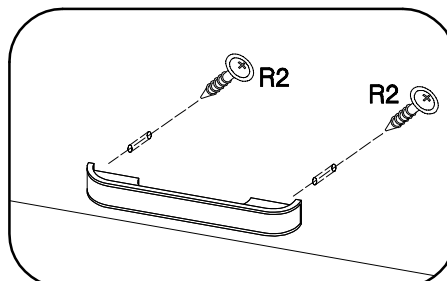
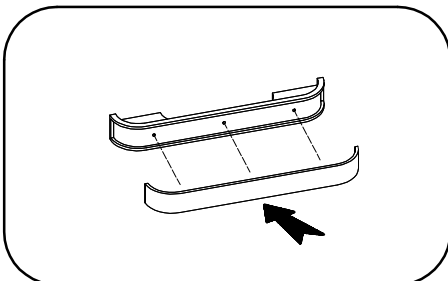
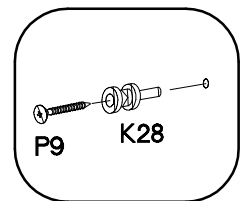
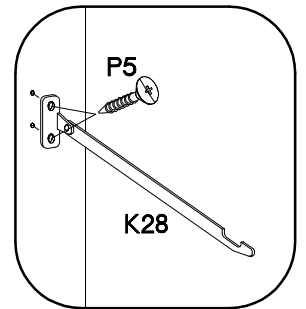
5



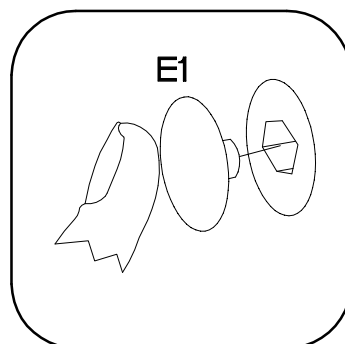
6



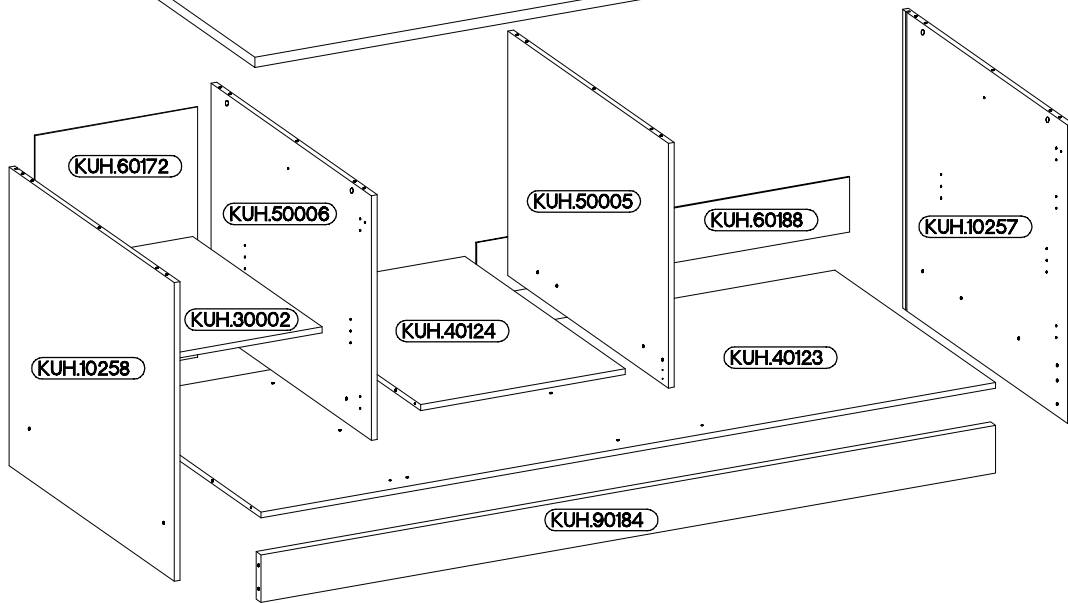
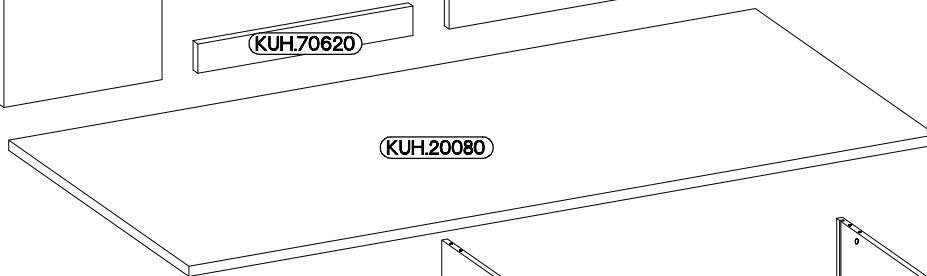
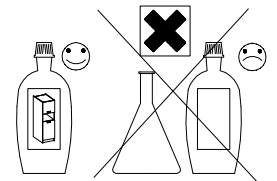
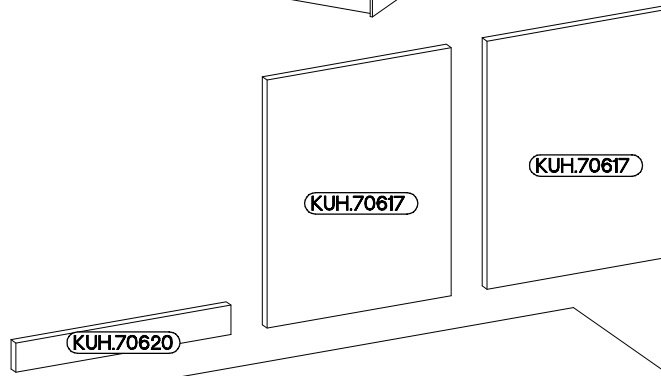
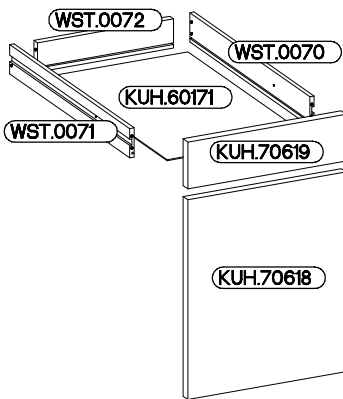
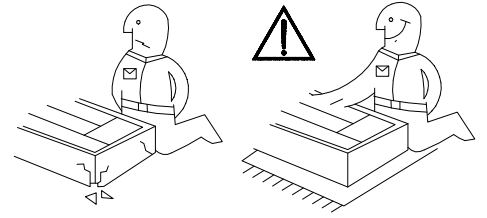
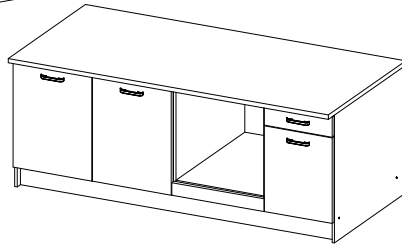
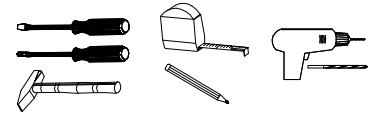
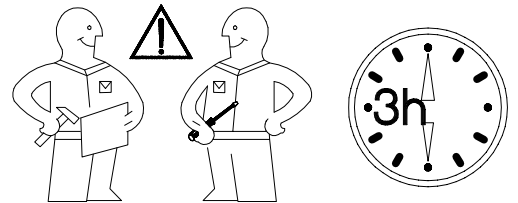
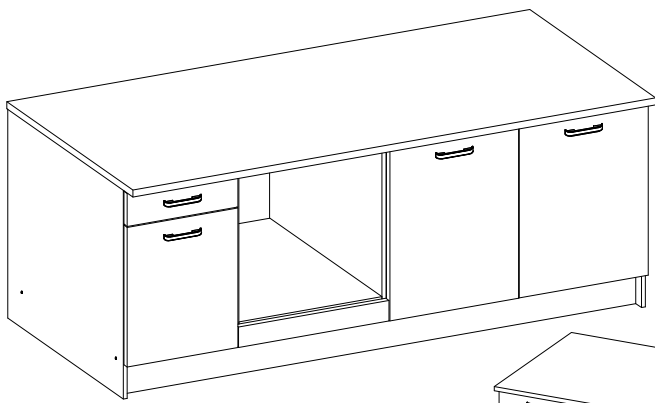
	K28
1	
	P9
1	
	P5
2	



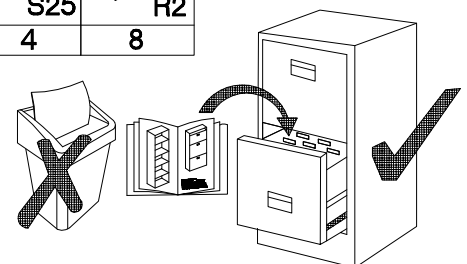
	S25
1	
	R2
2	



	E1
8	

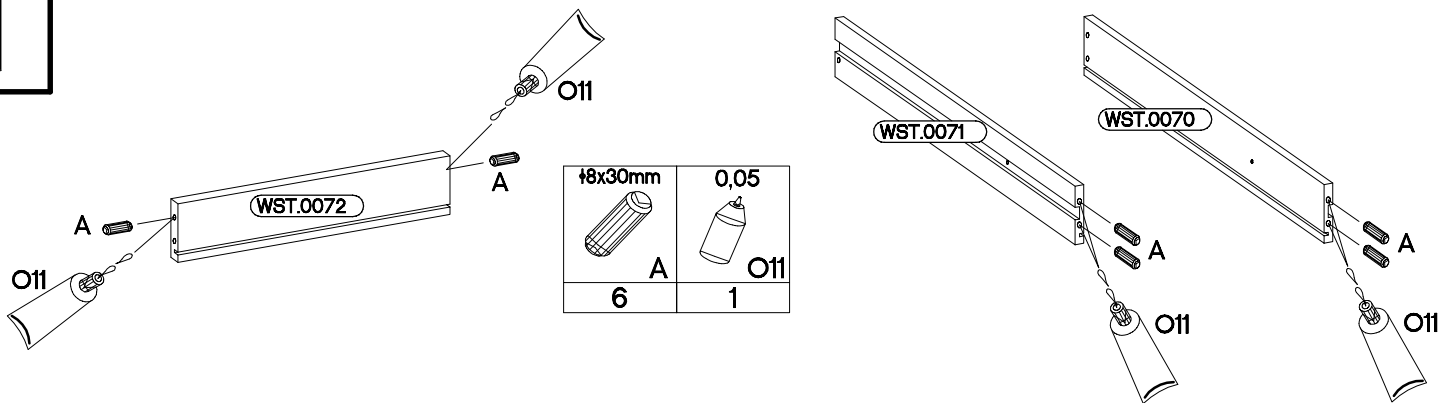


		$\pm 3.0 \times 20 \text{mm}$ 	$M4 \times 9 \text{mm}$ 					$\pm 15 \times 5 \text{mm}$ 		$\pm 4.0 \times 30 \text{mm}$
2	3	20-25	2	8	1	8	2	2	4	8
$\pm 20/16 \text{mm}$ 			$\pm 3.5 \times 13 \text{mm}$ 	$\pm 35/0 \text{mm}$ 	$\pm 35/16 \text{mm}$ 	$\pm 4.0 \times 45 \text{mm}$ 	$6.4 \times 50 \text{mm}$ 			
2	6	2	30	4	2	2	12	1		
	$\pm 6 \times 42 \text{mm}$ 	$\pm 8 \times 30 \text{mm}$ 	$\pm 5/12 \text{mm}$ 	$L=20 \text{mm}$ 	$6.5 \times 48 \times 16$ 	$17/310 \text{mm}$ 	$\pm 5.0 \times 13 \text{mm}$ 	$\pm 5.0 \times 30 \text{mm}$ 		
1	2	32	8	8	4	1	2	2		

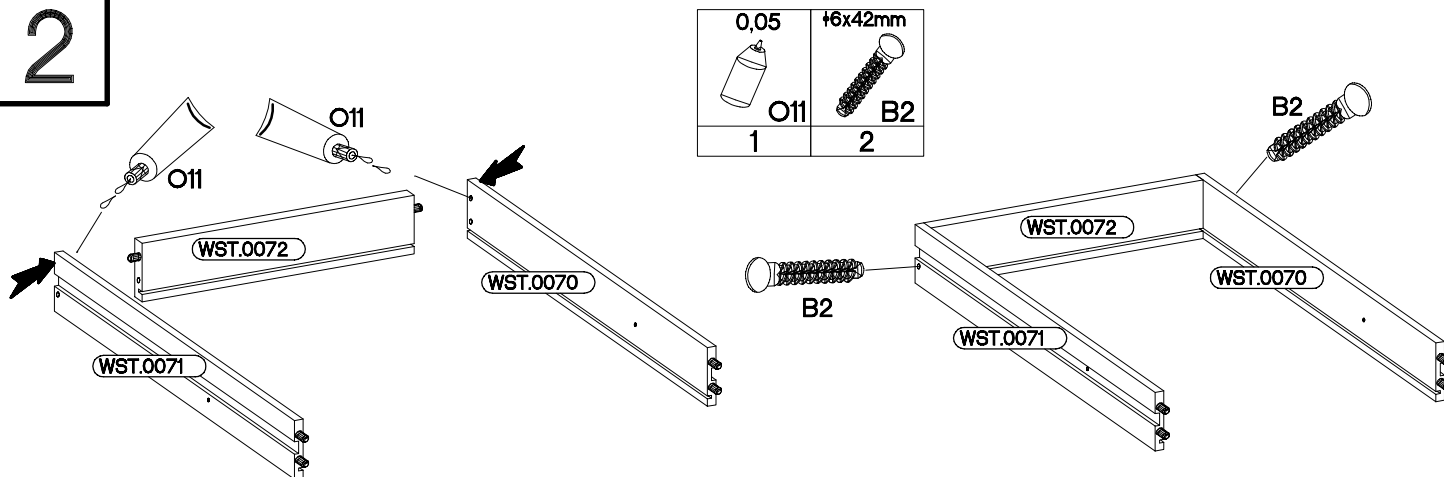


ISM-KUH-00795

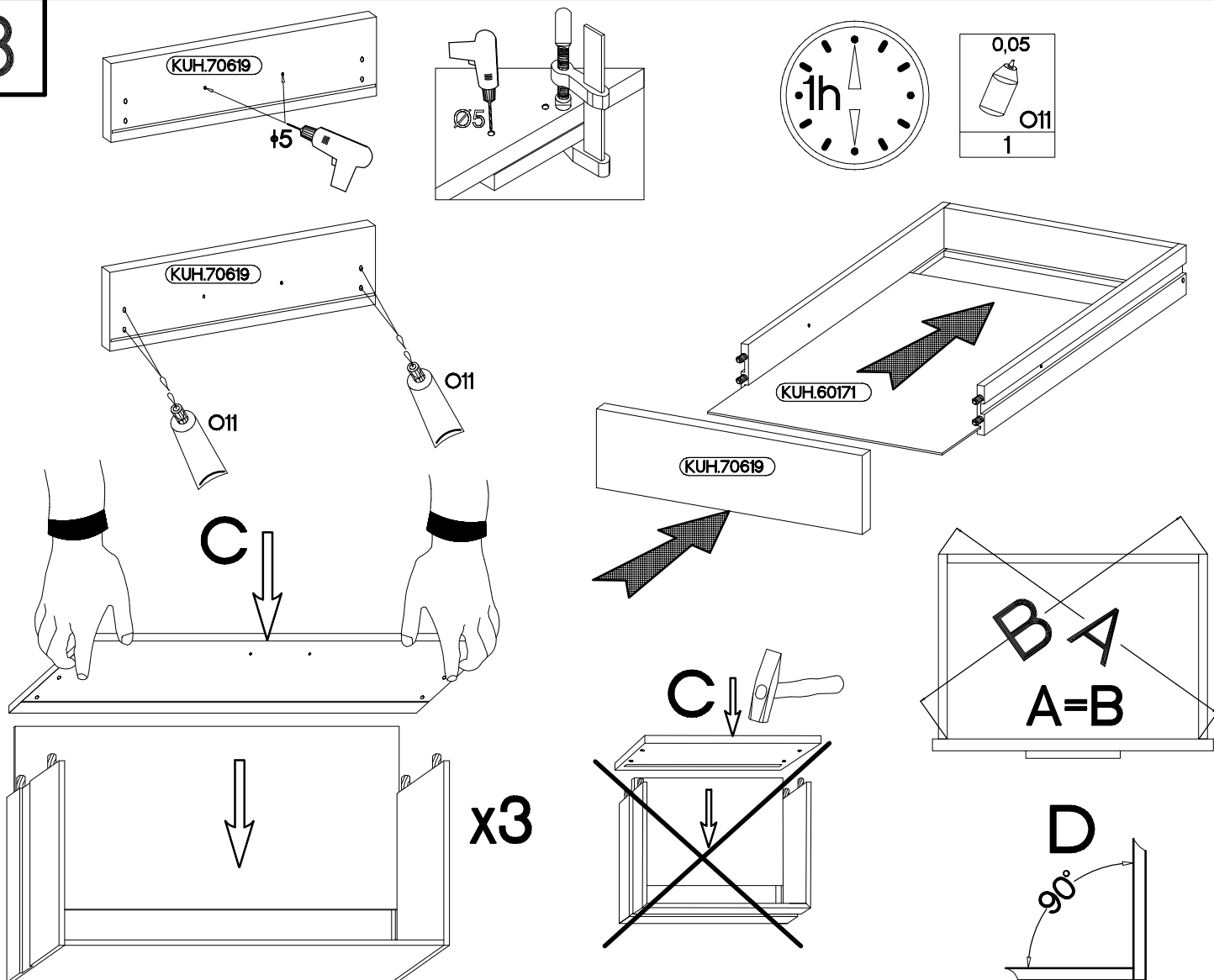
1


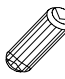

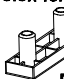










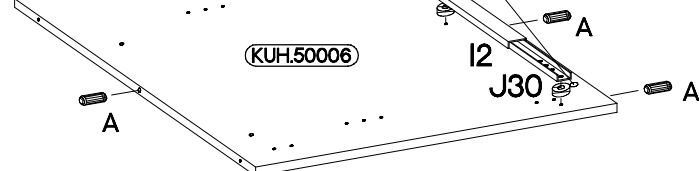
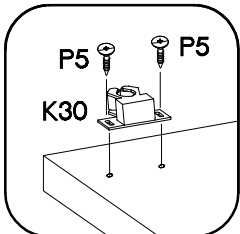
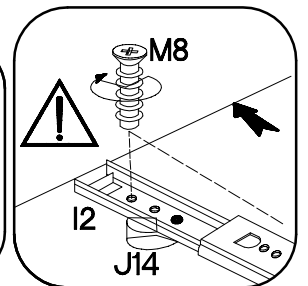
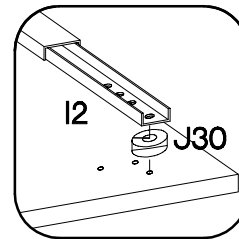
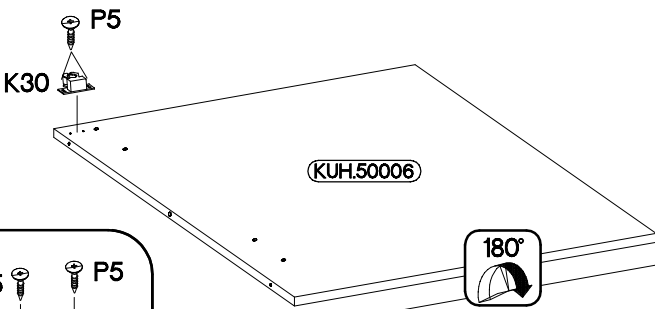
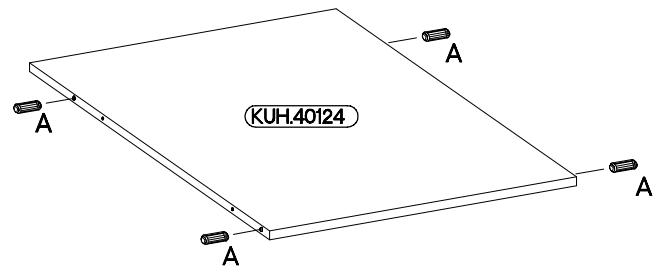
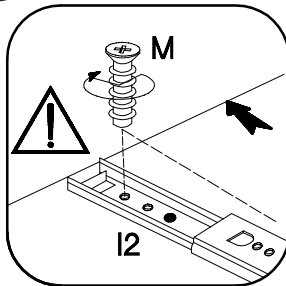
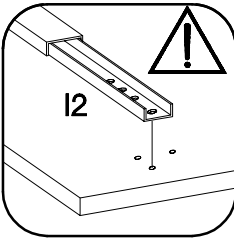
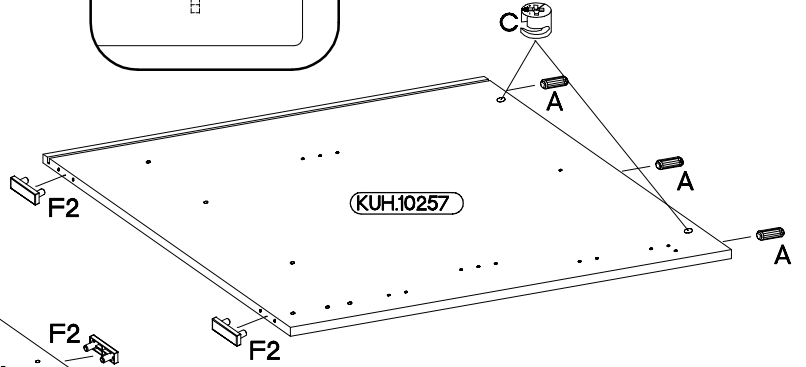
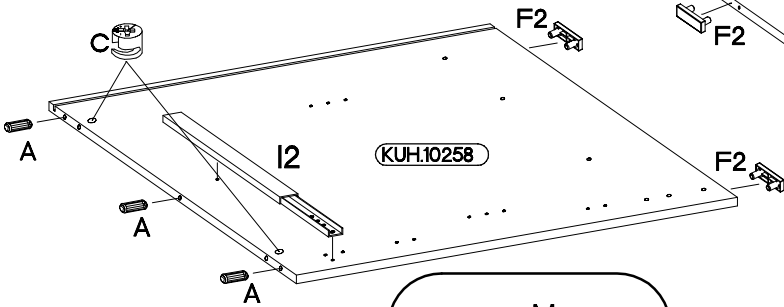
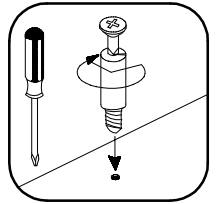
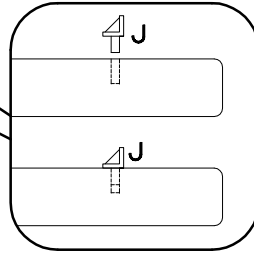
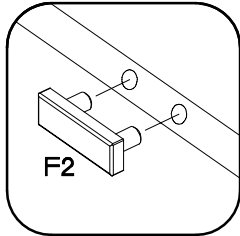
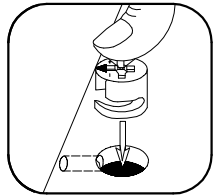
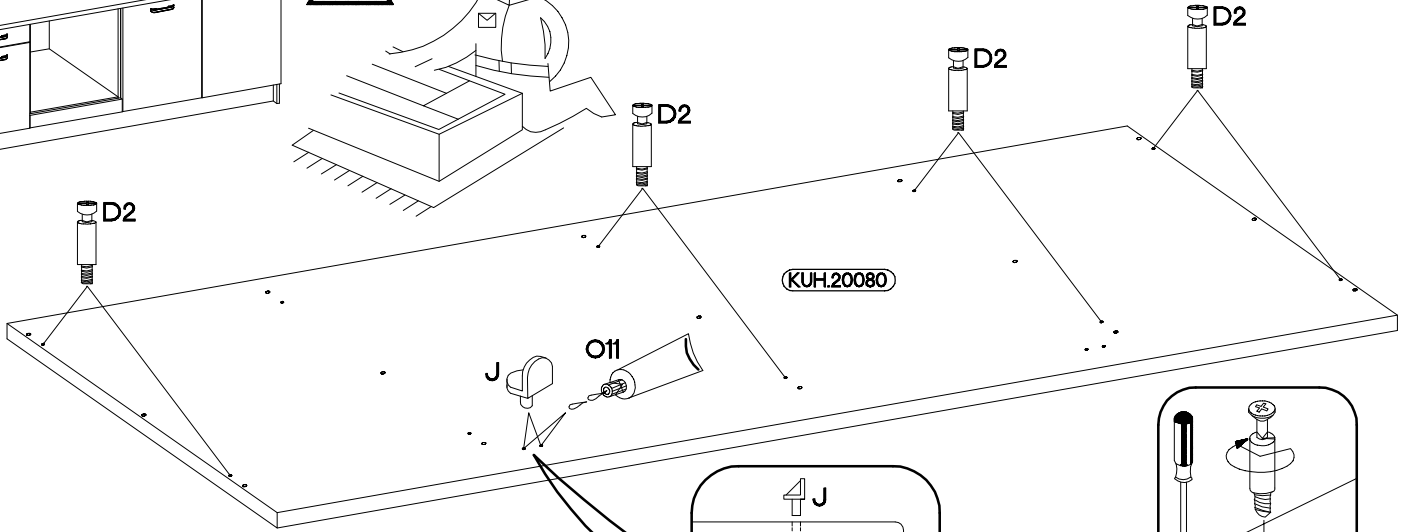
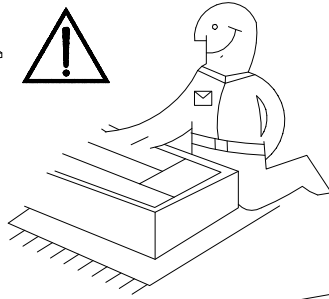
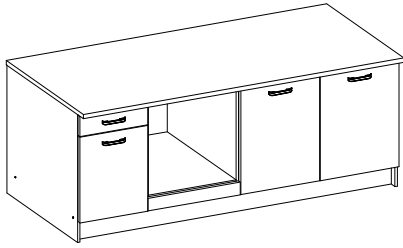
2

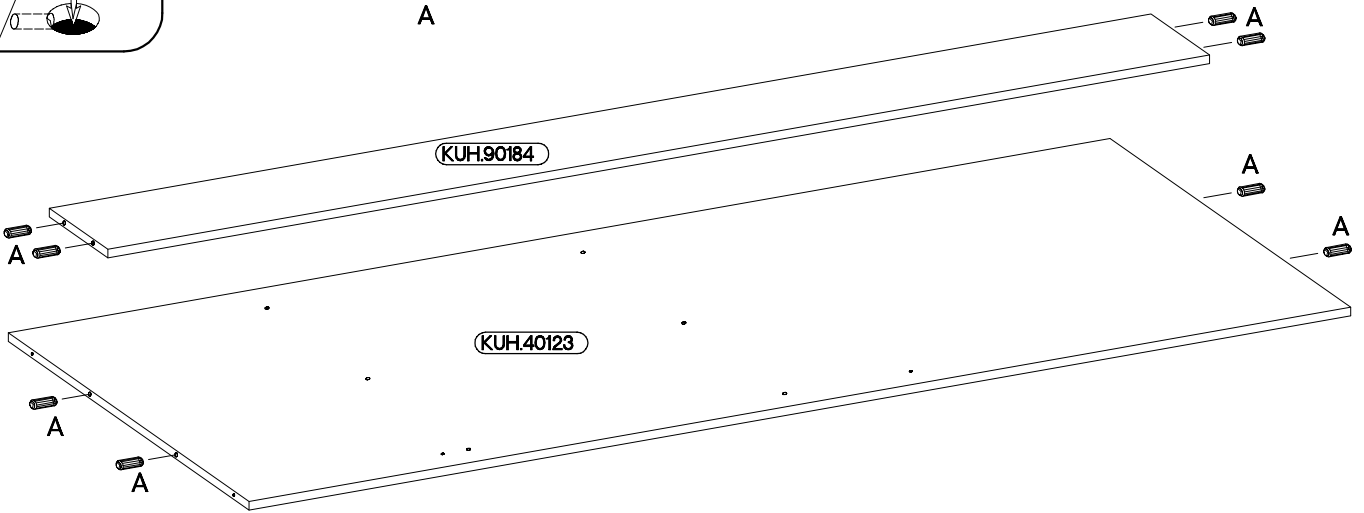
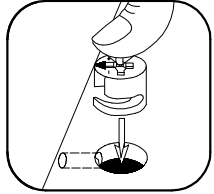
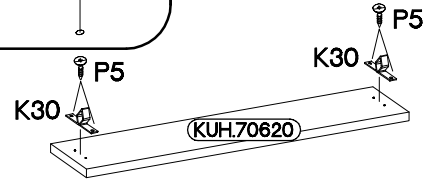
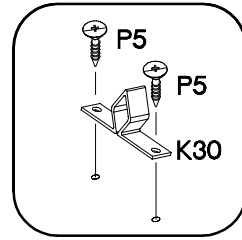
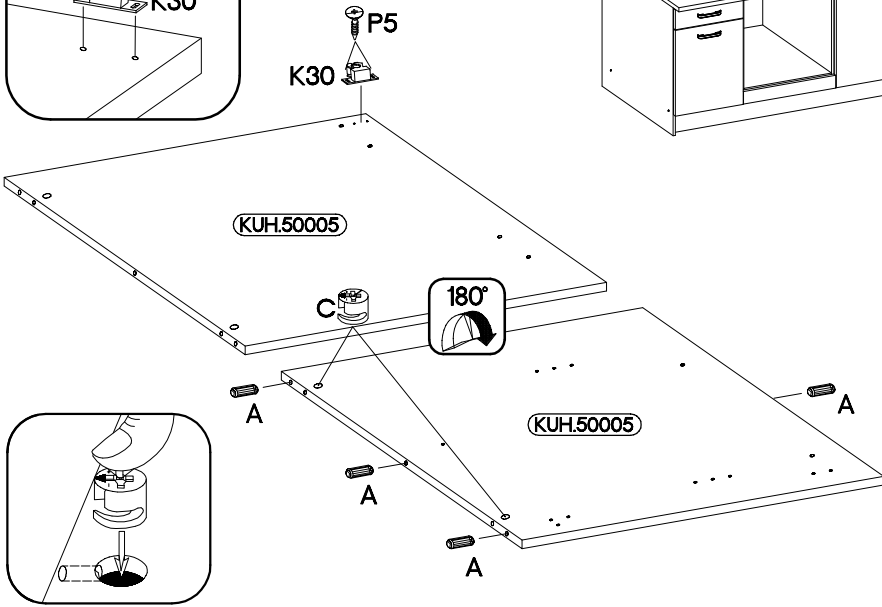
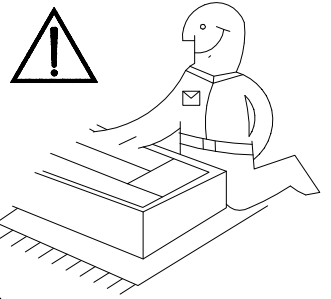
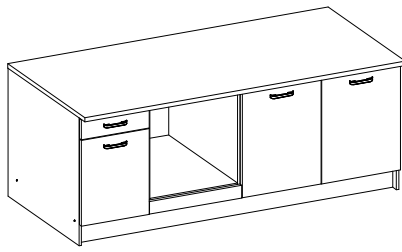
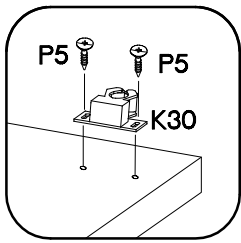


3





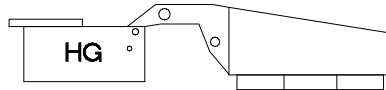
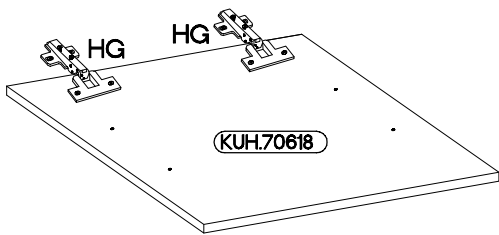
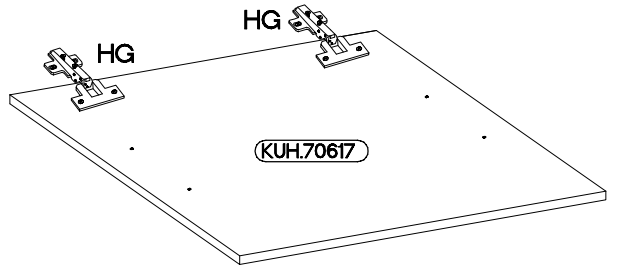
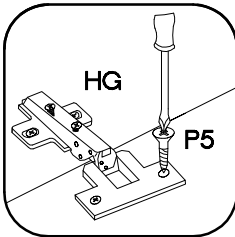
#5/12mm  C	#8x30mm  A	L=20mm  D2	6.5x48x16  F2	17/310mm  I2	#5.0x13mm  M	 J	0,05  O11	 K30	#3.5x13mm  P5	#20/16mm  J30	#5.0x30mm  M8
8	26	8	4	1	4	2	1	2	8	2	2





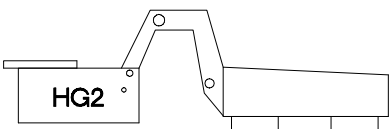
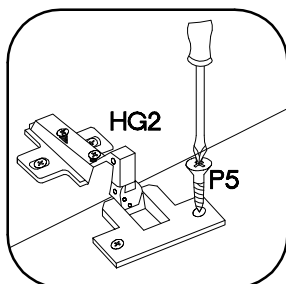
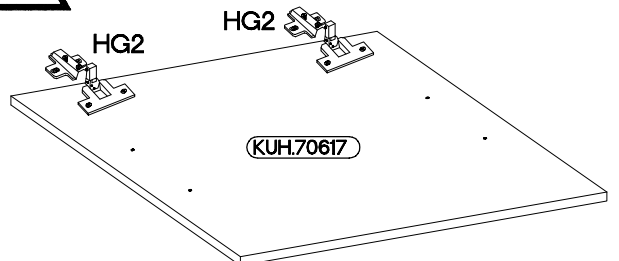


5

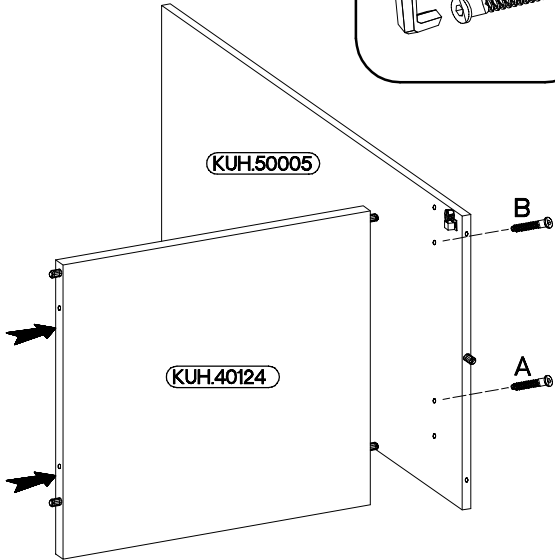
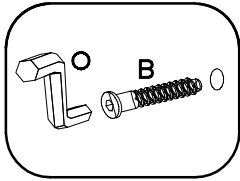
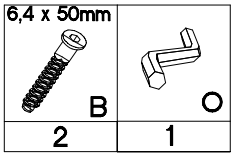
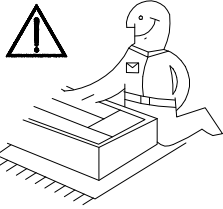
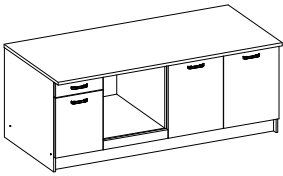
 †35/0mm HG 4	 †3.5x13mm P5 8
---	---



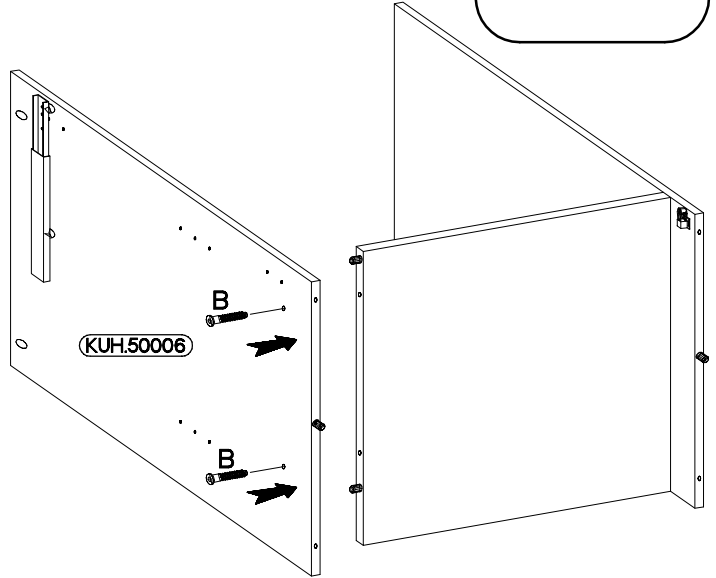
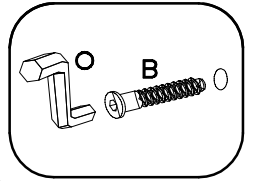
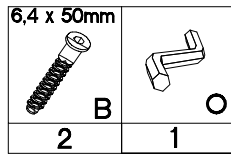
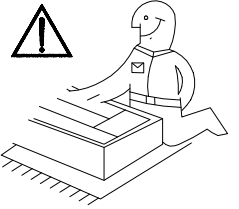
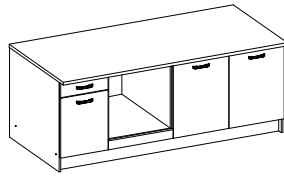
 †35/16mm HG2 2	 †3.5x13mm P5 4
---	---



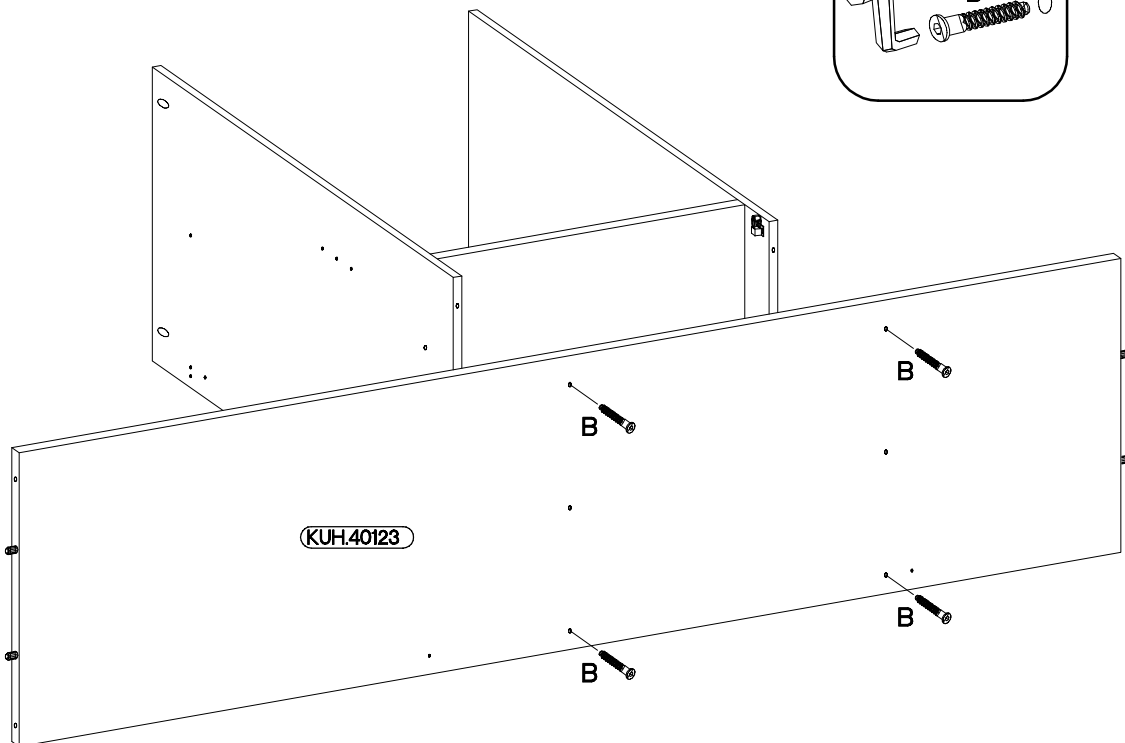
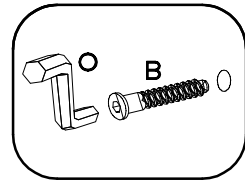
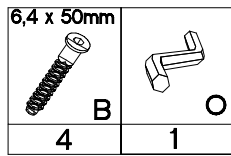
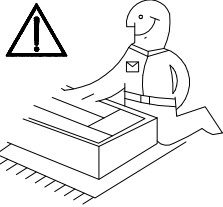
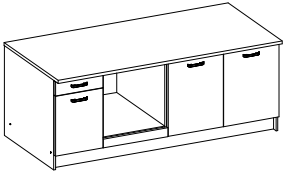
6



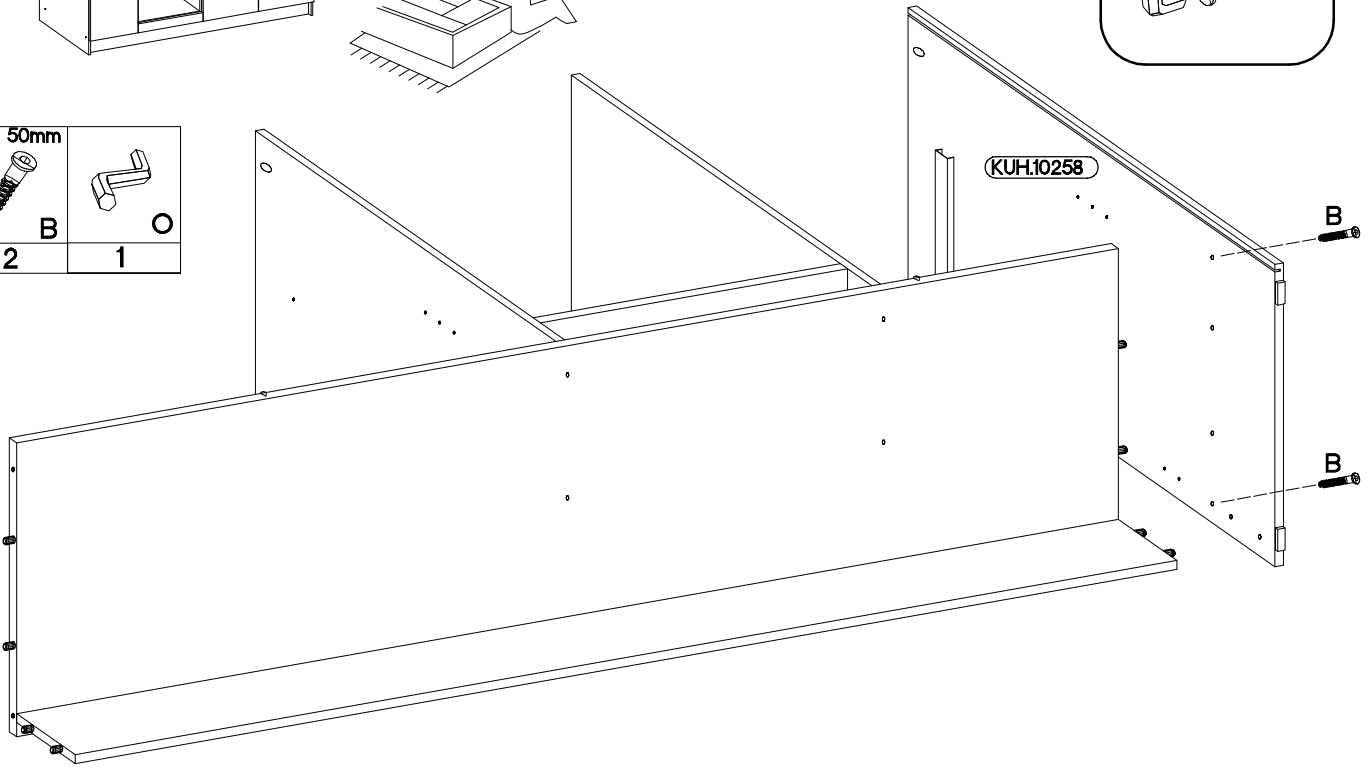
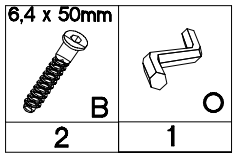
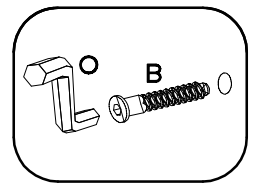
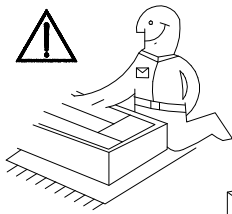
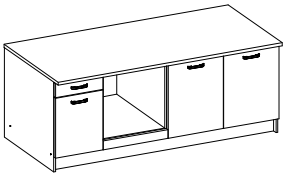
7



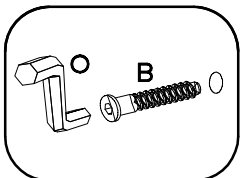
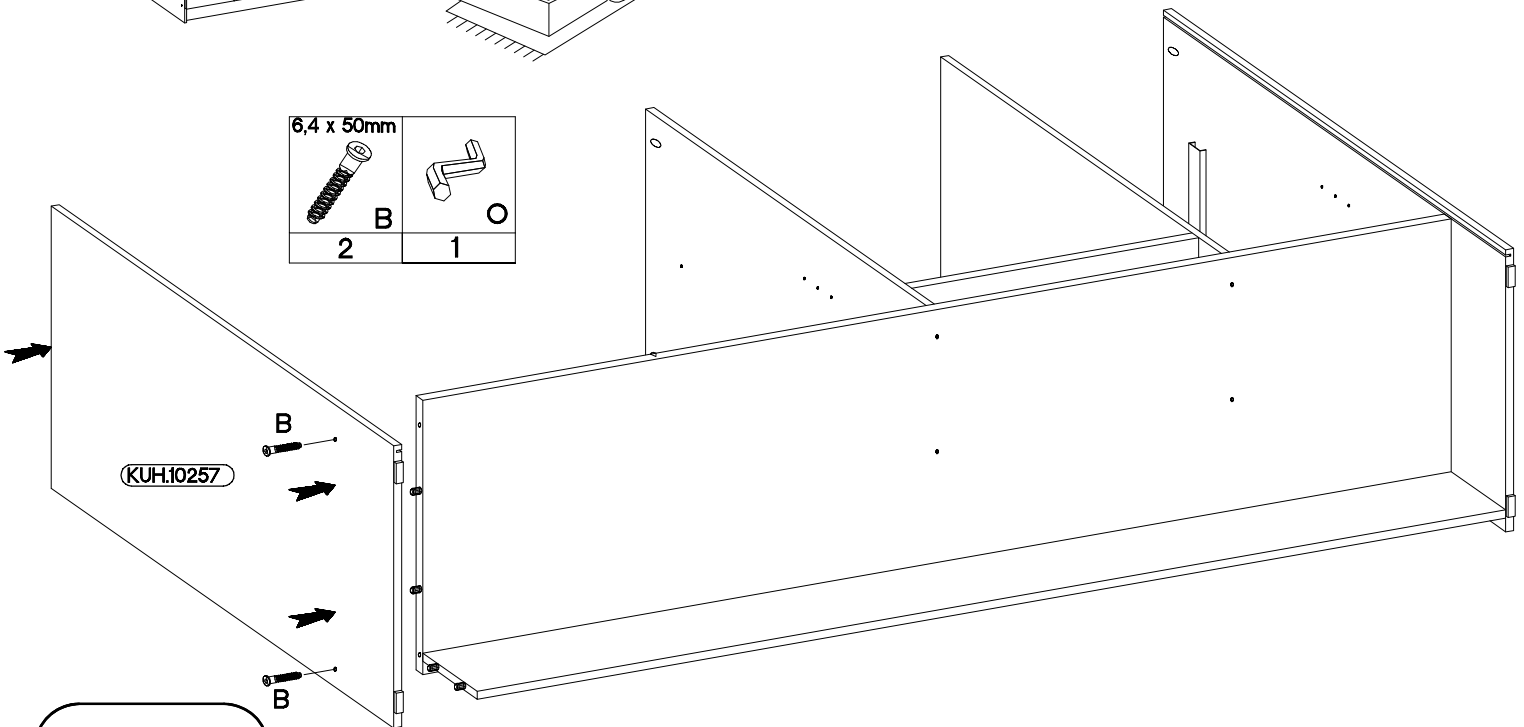
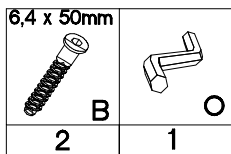
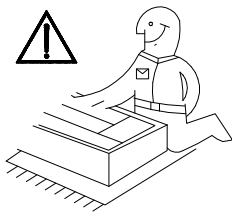
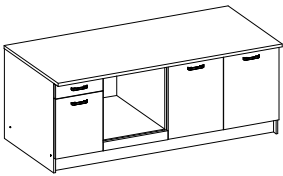
8



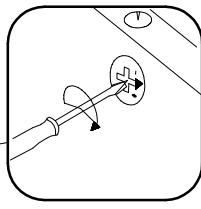
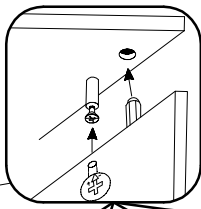
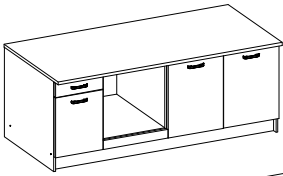
9



10



11



4.0x45mm



P4

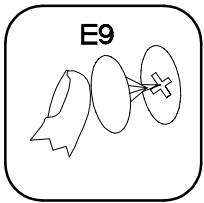
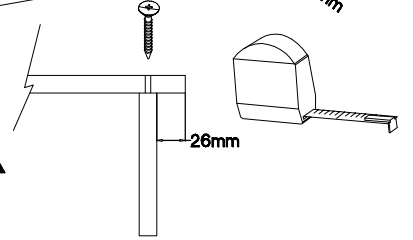
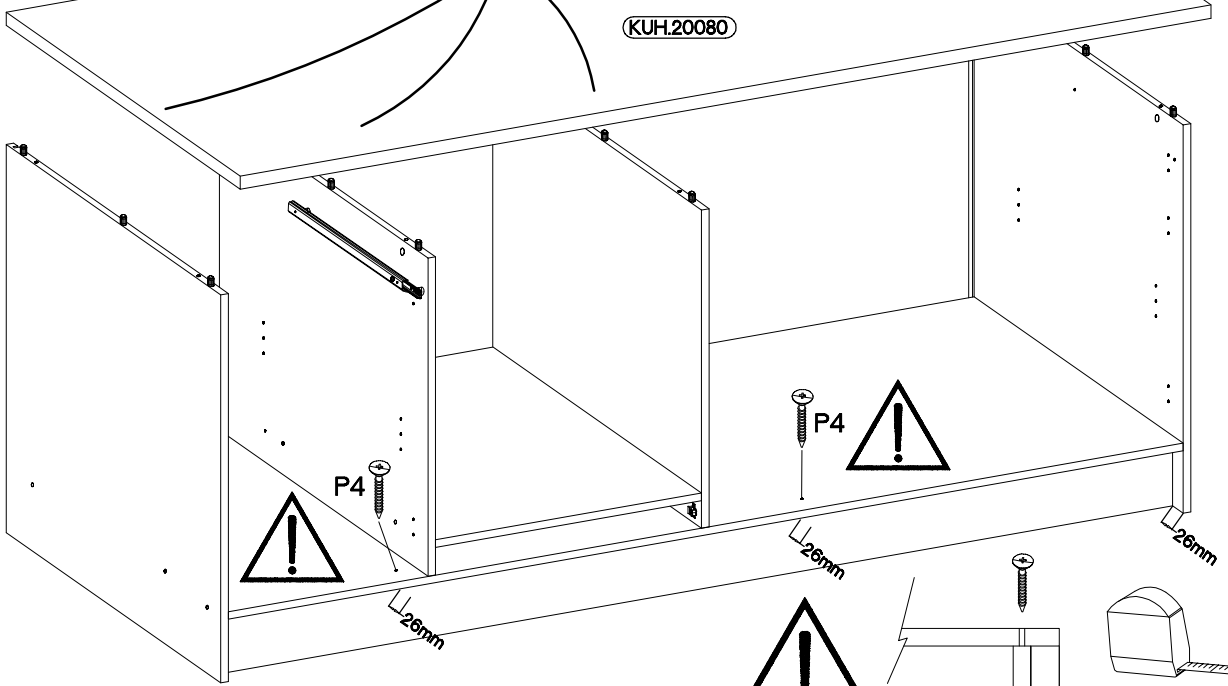
2



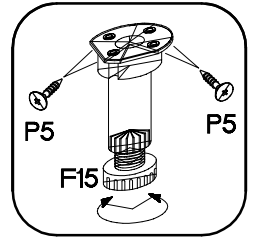
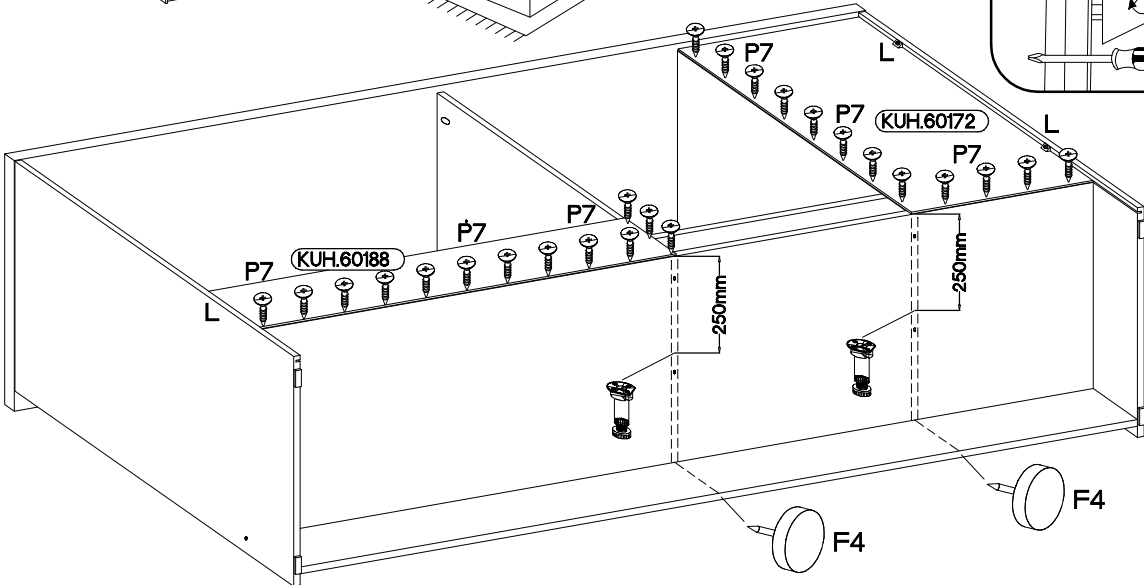
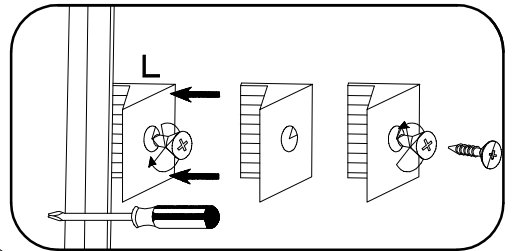
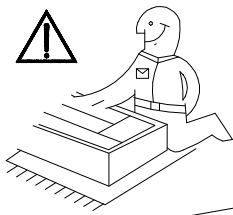
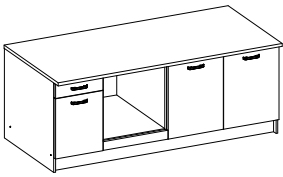
E9

2

(KUH.20080)

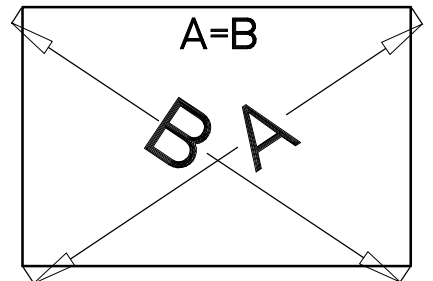
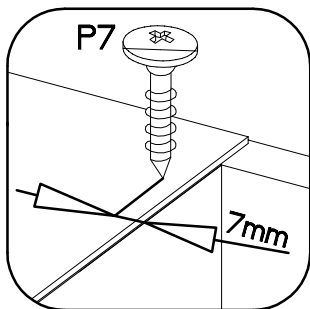


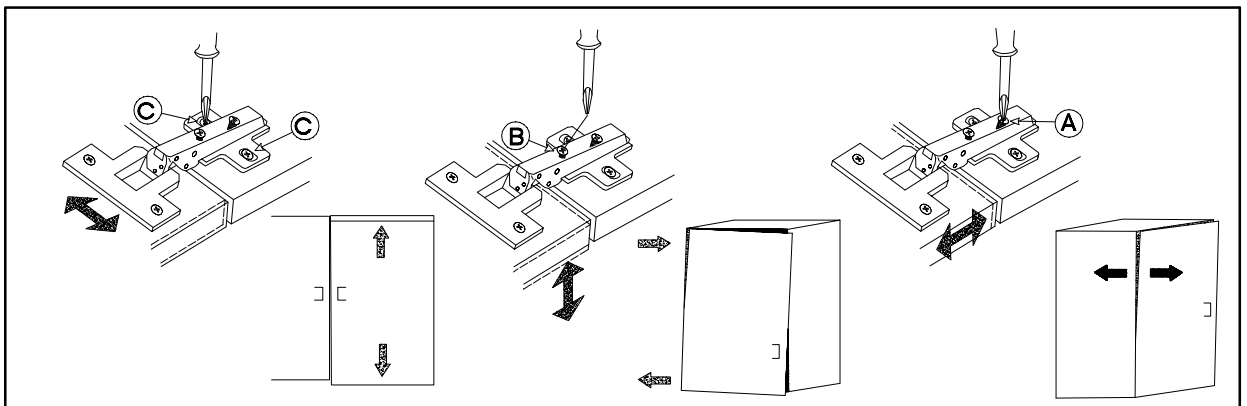
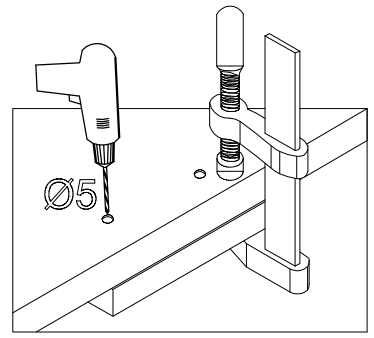
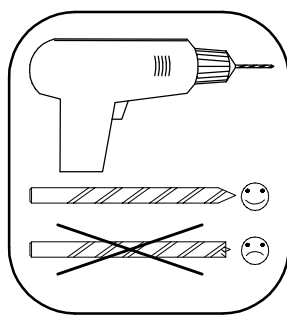
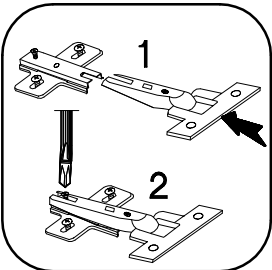
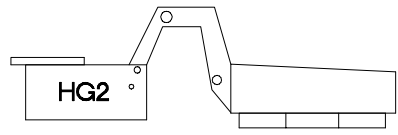
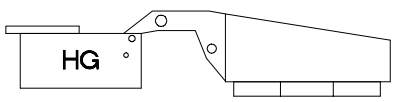
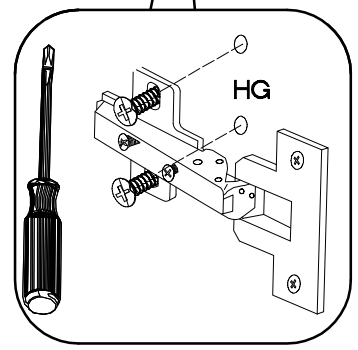
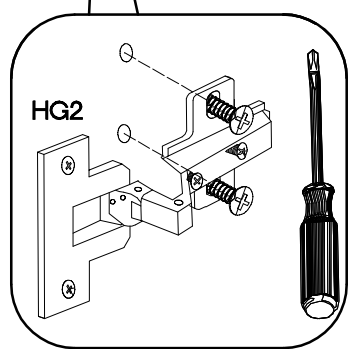
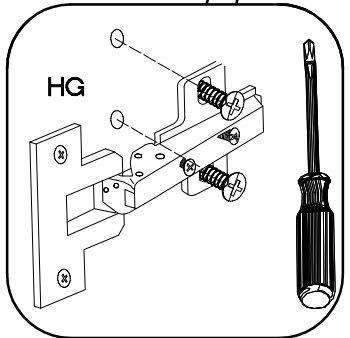
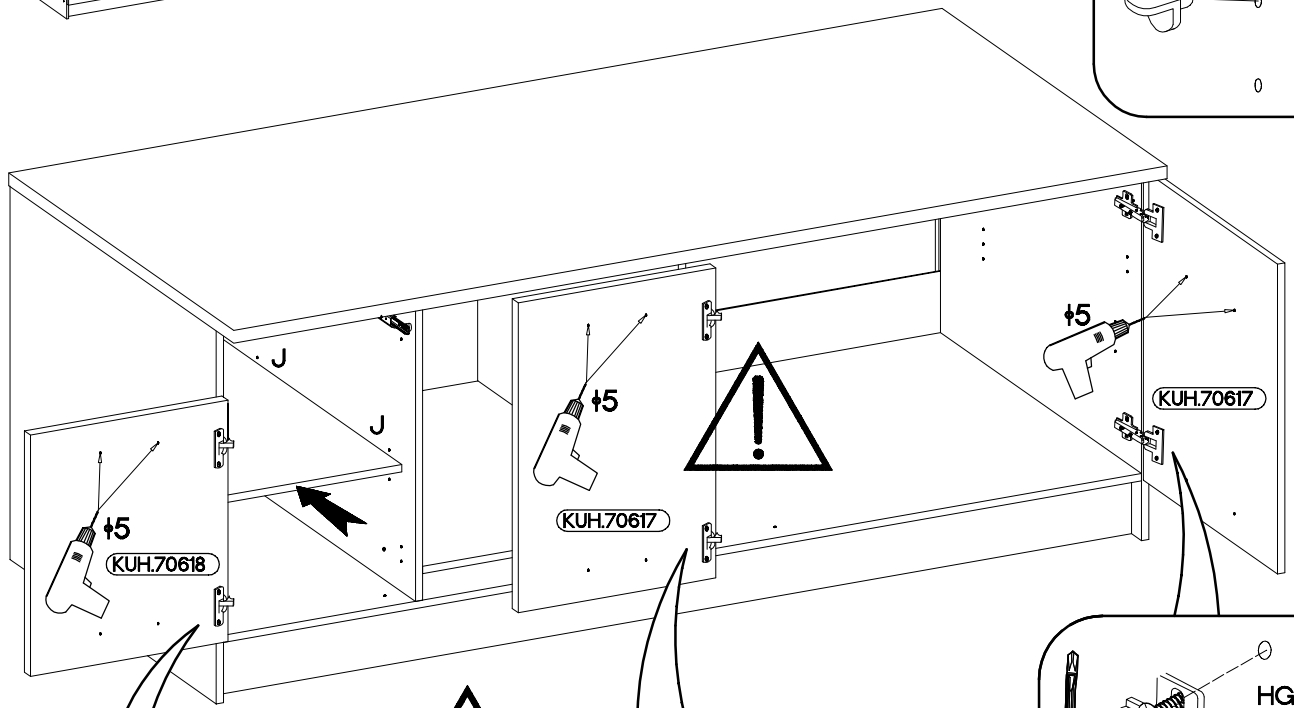
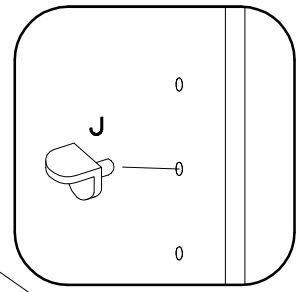
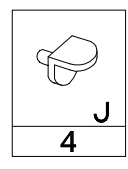
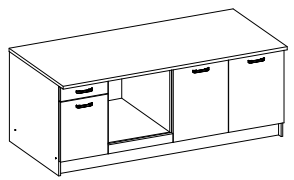
12

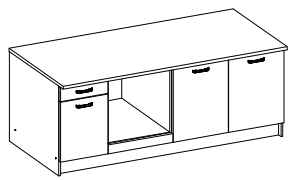



3.5x13mm		
	P5	F15
	8	2

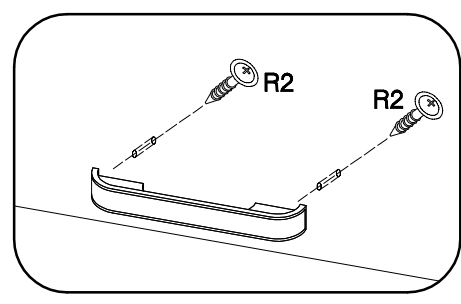
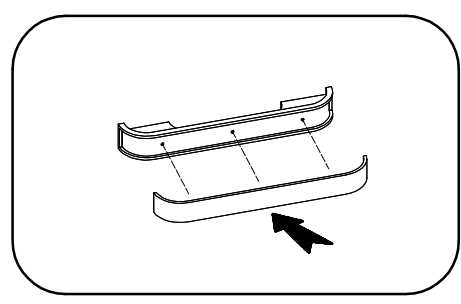
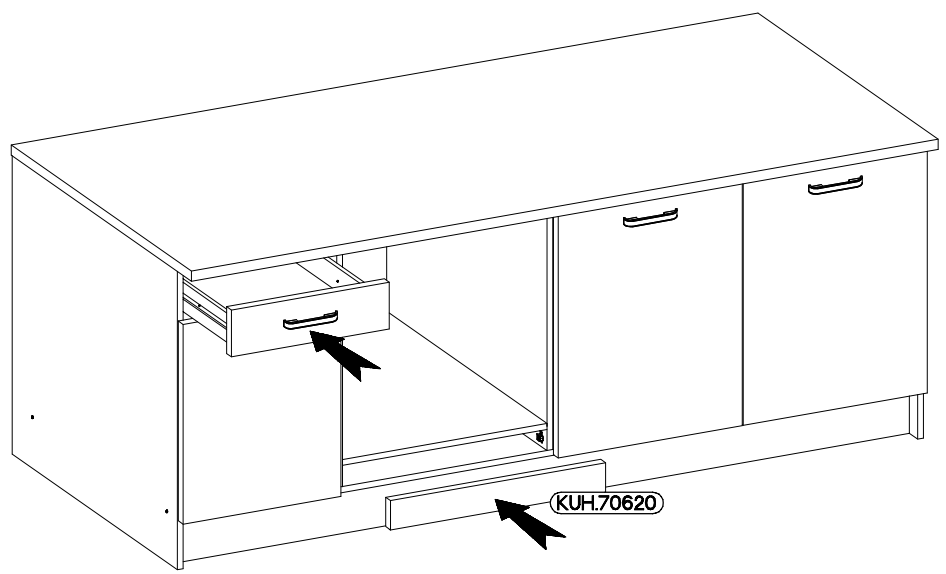
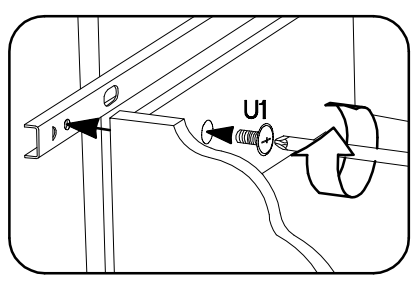
	3.0x20mm	15x5mm
L	P7	F4
3	20-25	2

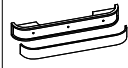






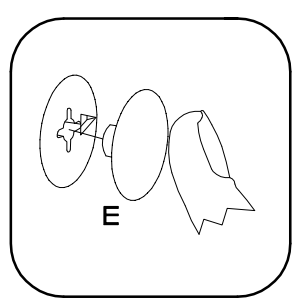



M4x9mm

U1
2

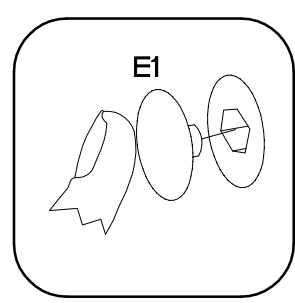










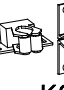



	±4.0x30mm
S25	
4	R2
	8

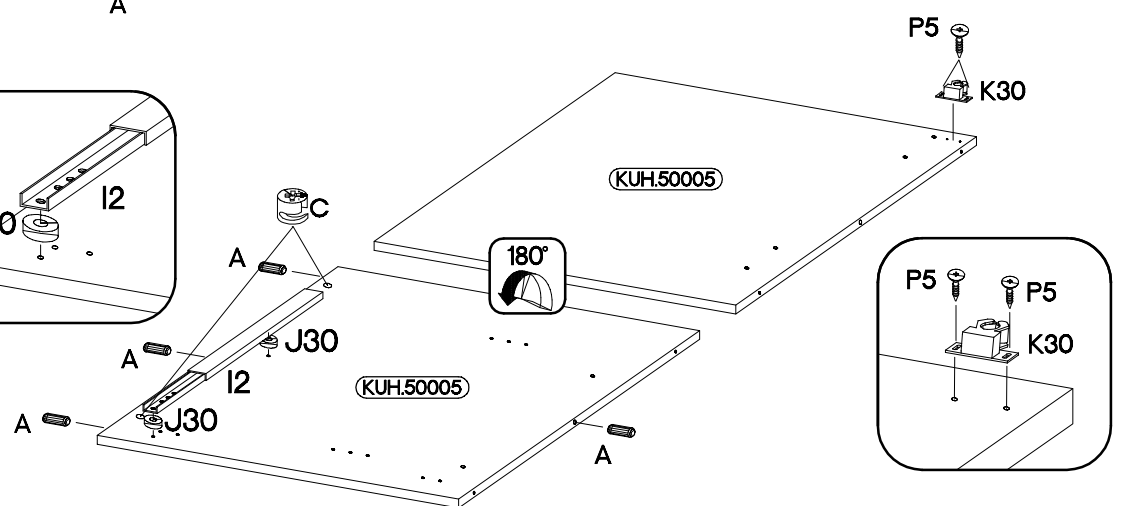
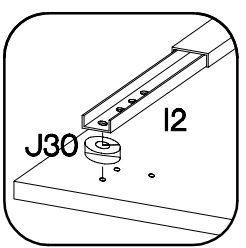
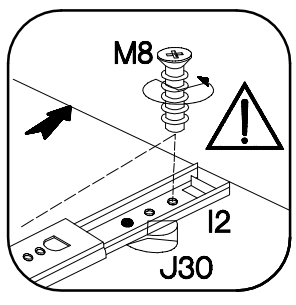
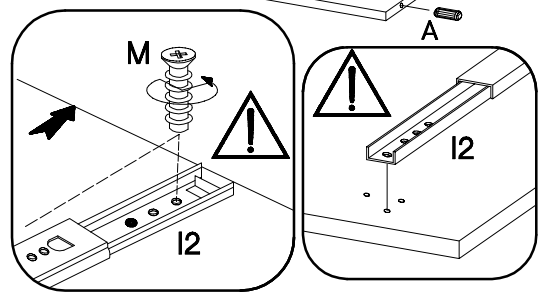
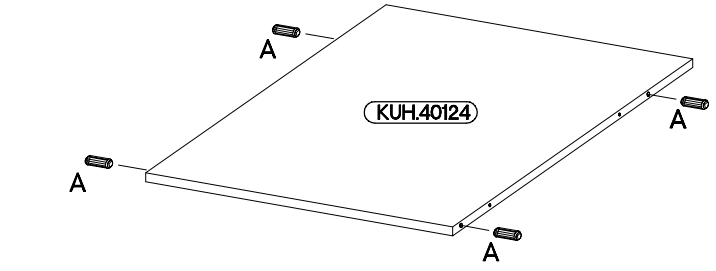
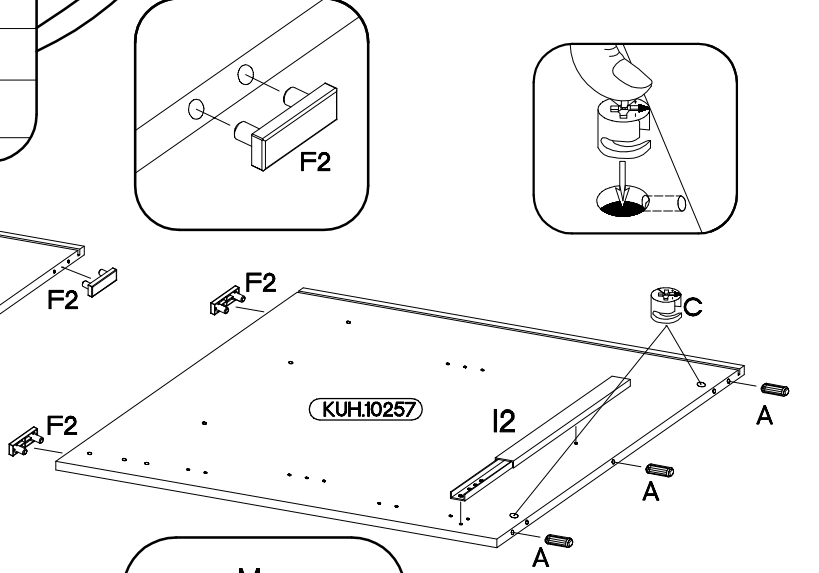
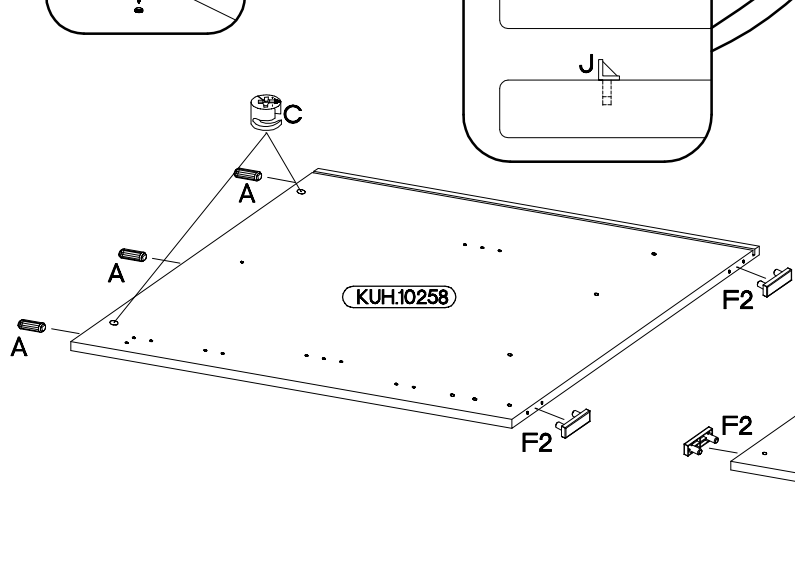
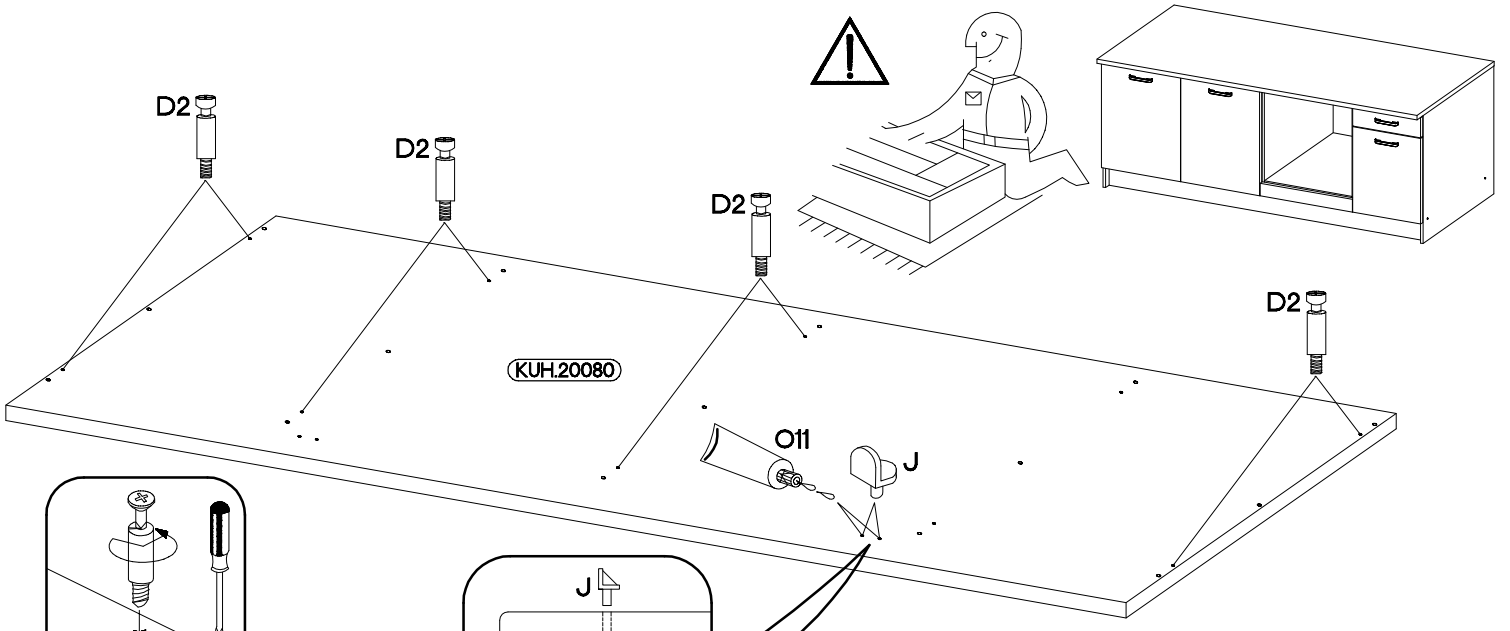

E
8

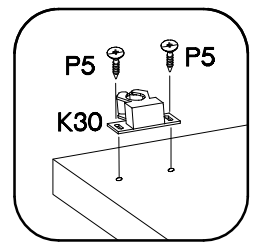
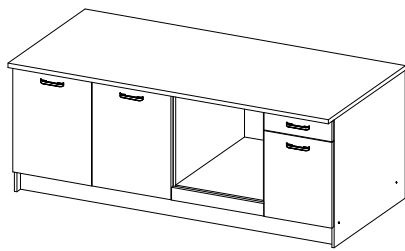
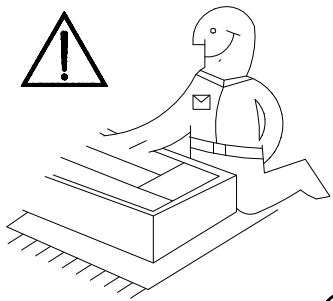



E1
8

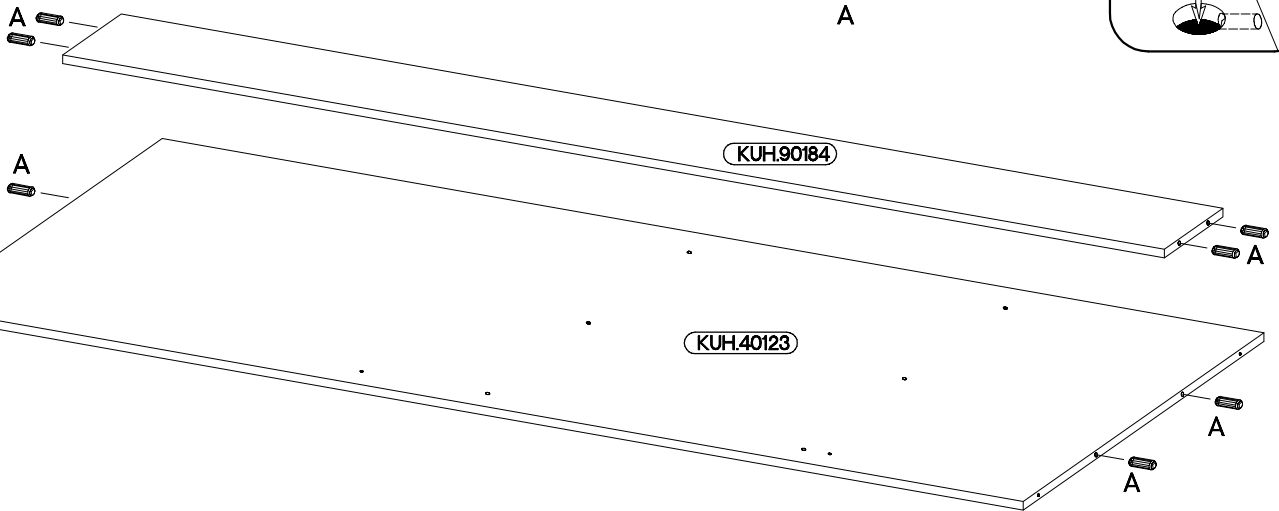
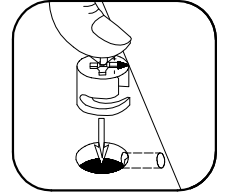
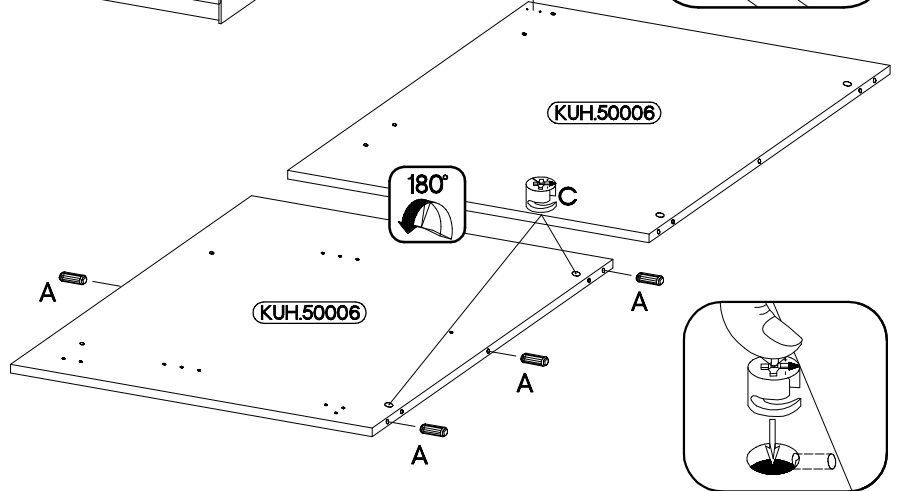
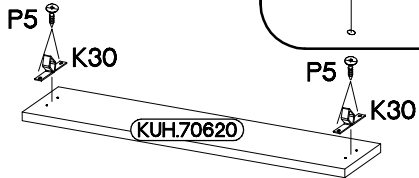
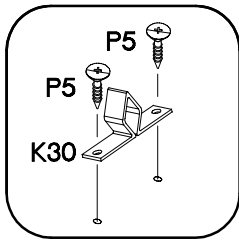


#5/12mm  C	+8x30mm  A	L=20mm  D2	6.5x48x16  F2	17/310mm  I2	+5.0x13mm  M	 J	0,05  O11	 K30	+3.5x13mm  P5	+20/16mm  J30	+5.0x30mm  M8
8	26	8	4	1	4	2	1	2	8	2	2



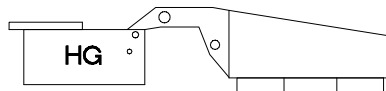
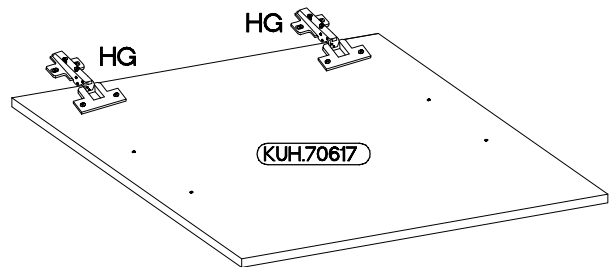
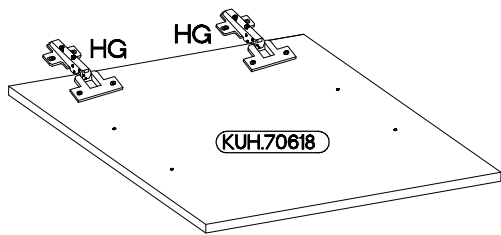
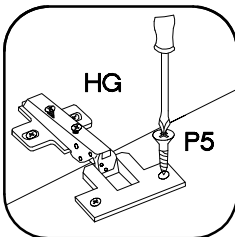


P5
K30

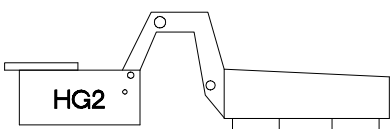
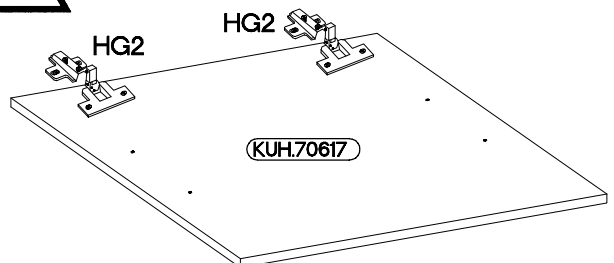
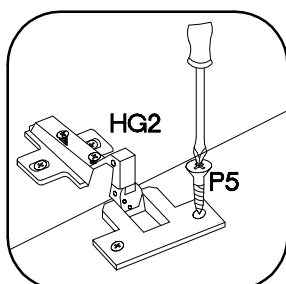


16

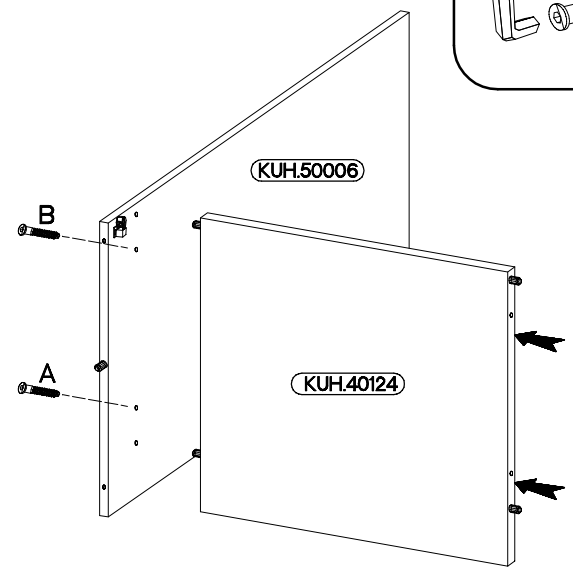
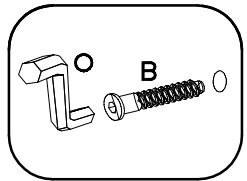
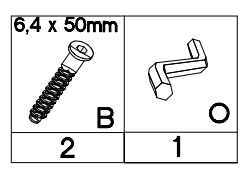
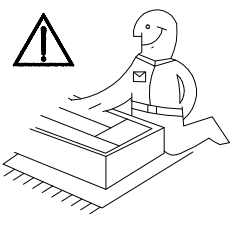
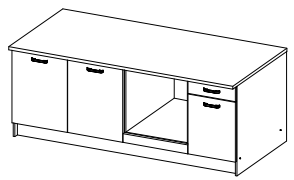
±35/0mm	±3.5x13mm
HG	P5
4	8



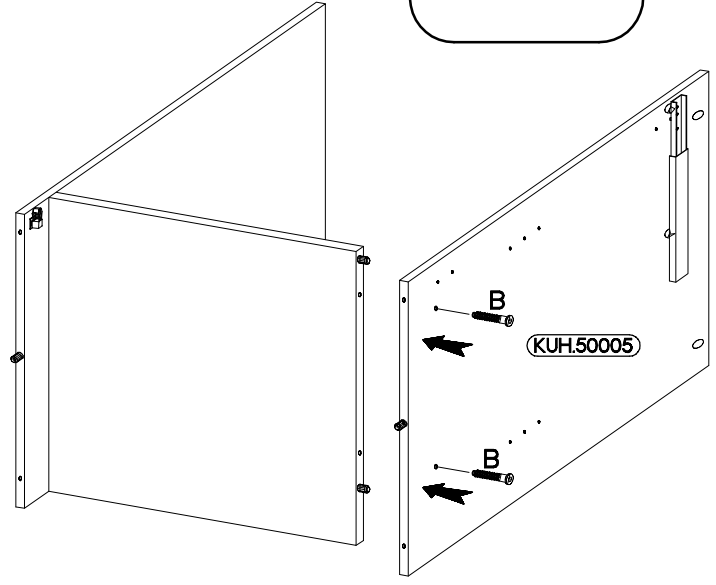
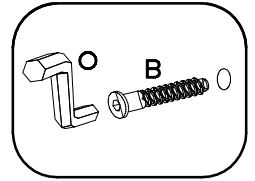
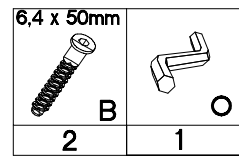
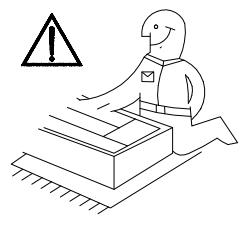
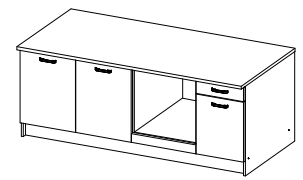
±35/16mm	±3.5x13mm
HG2	P5
2	4



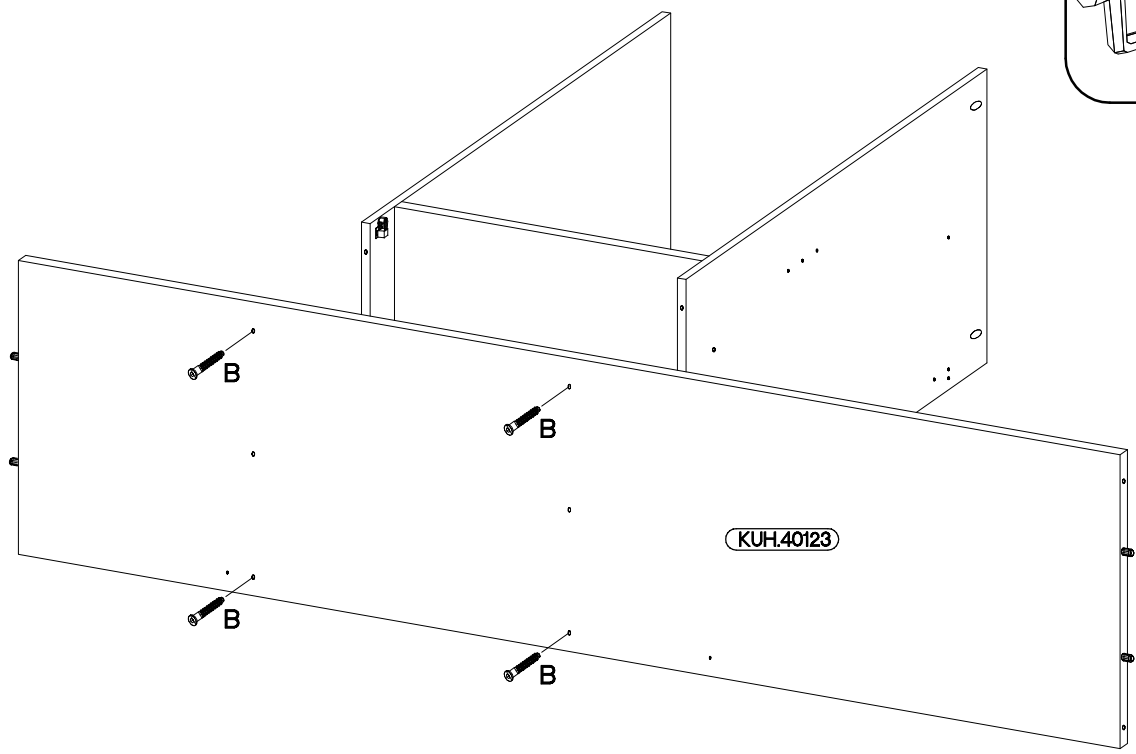
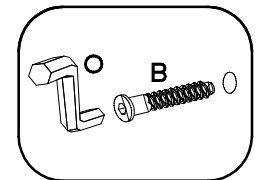
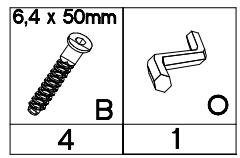
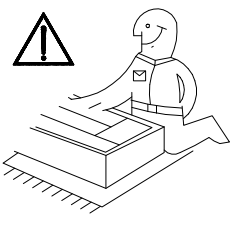
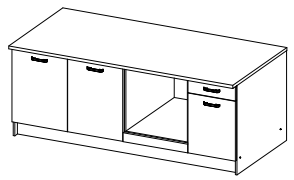
17



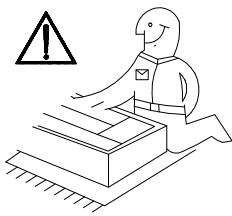
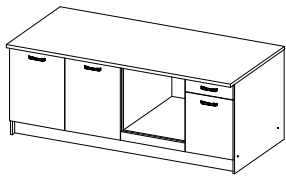
18





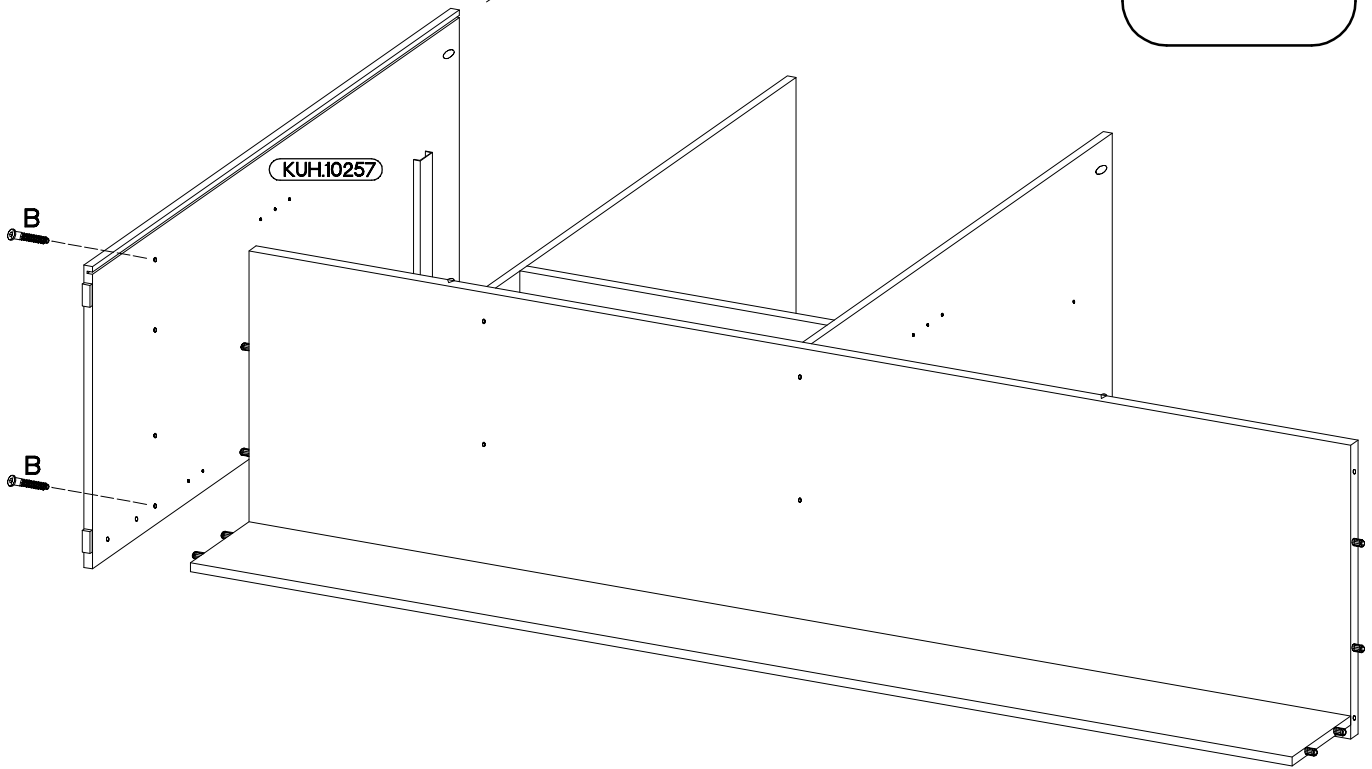
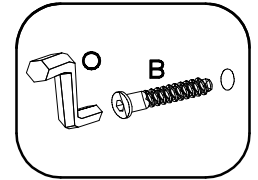
19



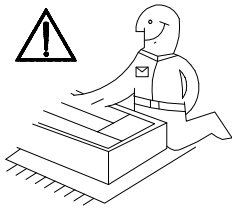
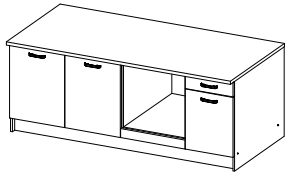
20





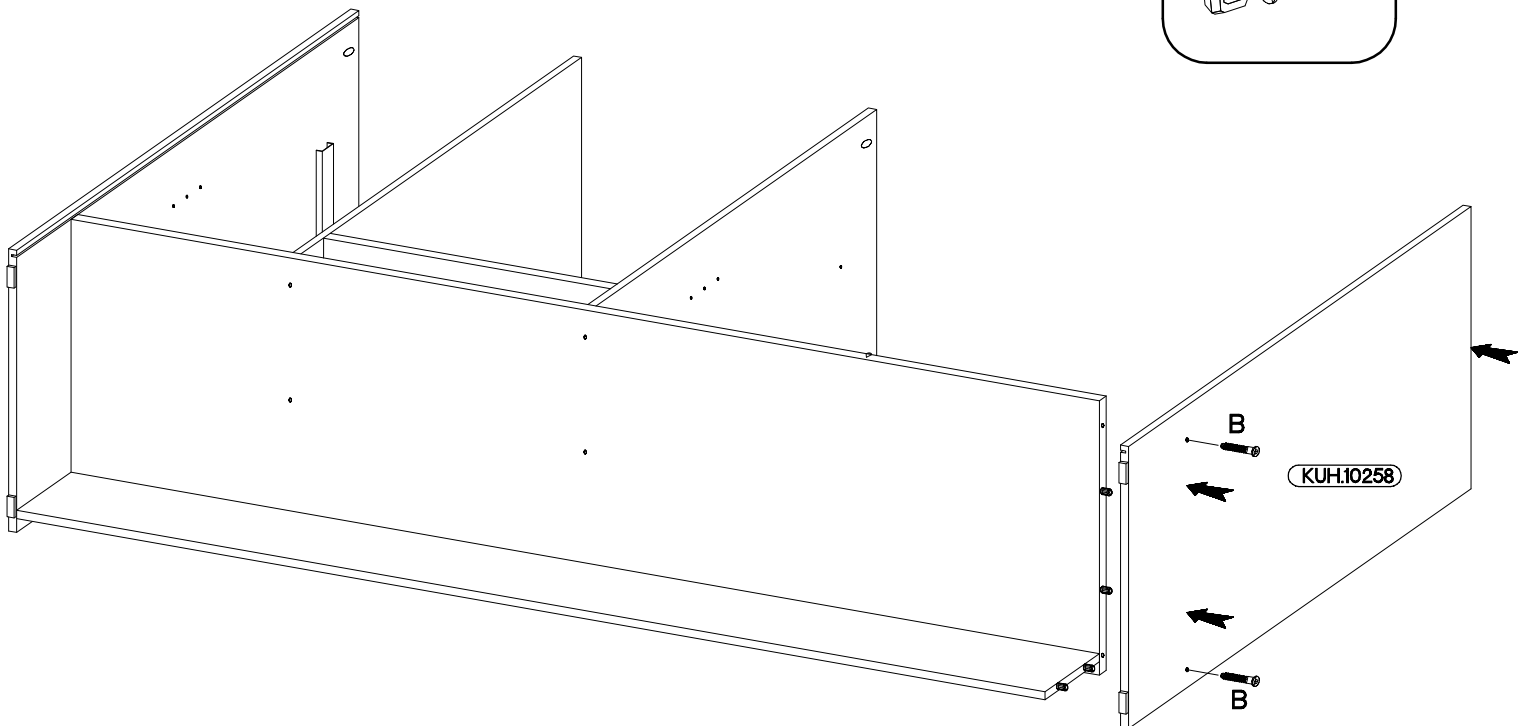
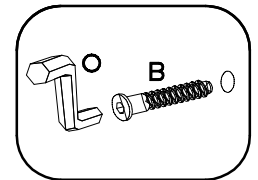
6,4 x 50mm	
	
B	O
2	1



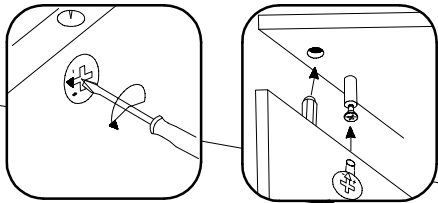
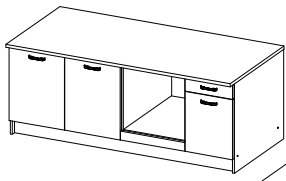
21



6,4 x 50mm	
	
B	O
2	1

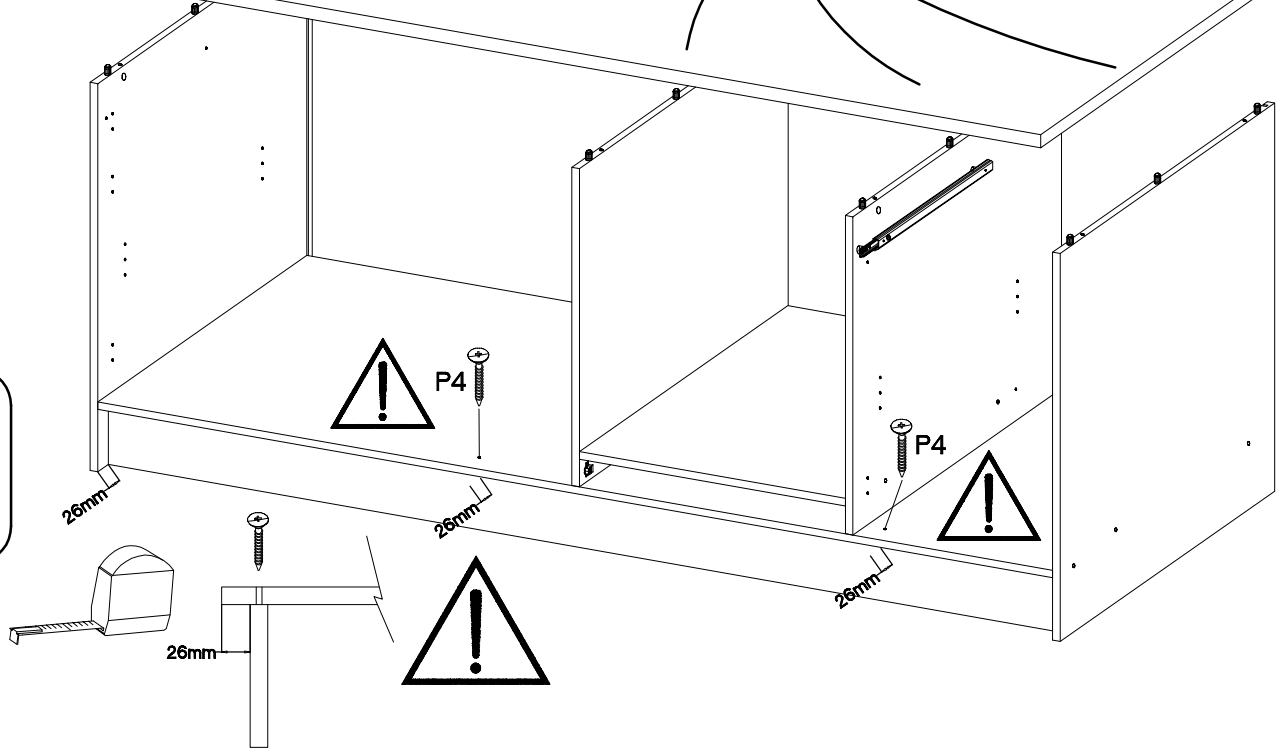
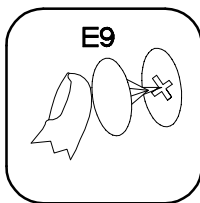


22

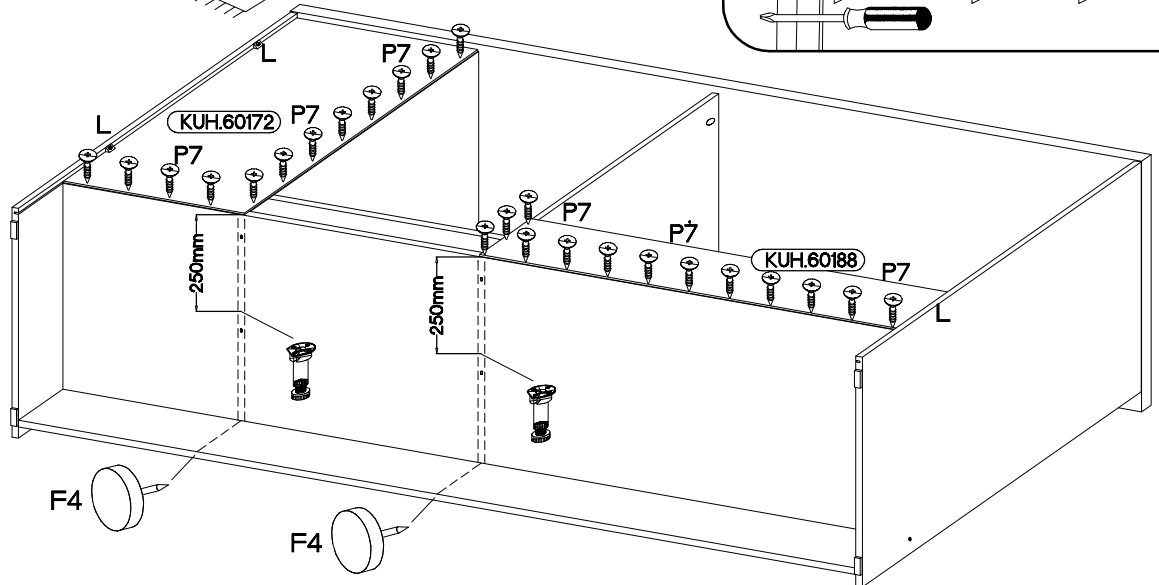
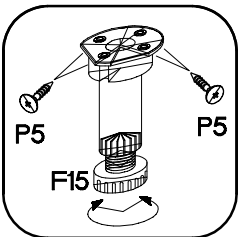
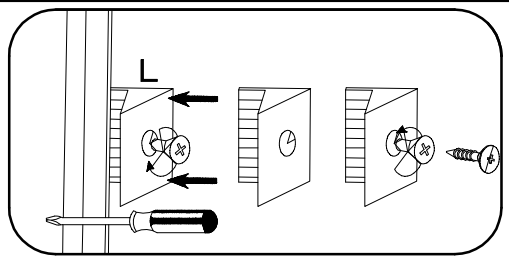
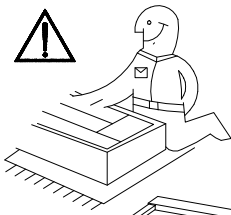
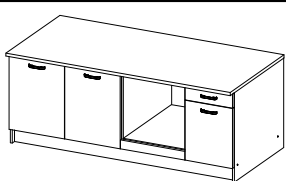


KUH.20080

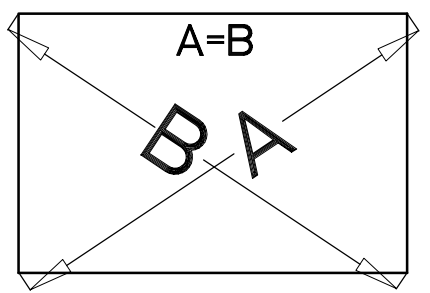
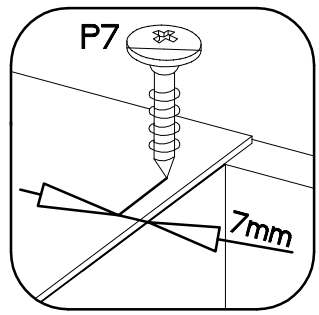
 †4.0x45mm P4 2
 E9 2

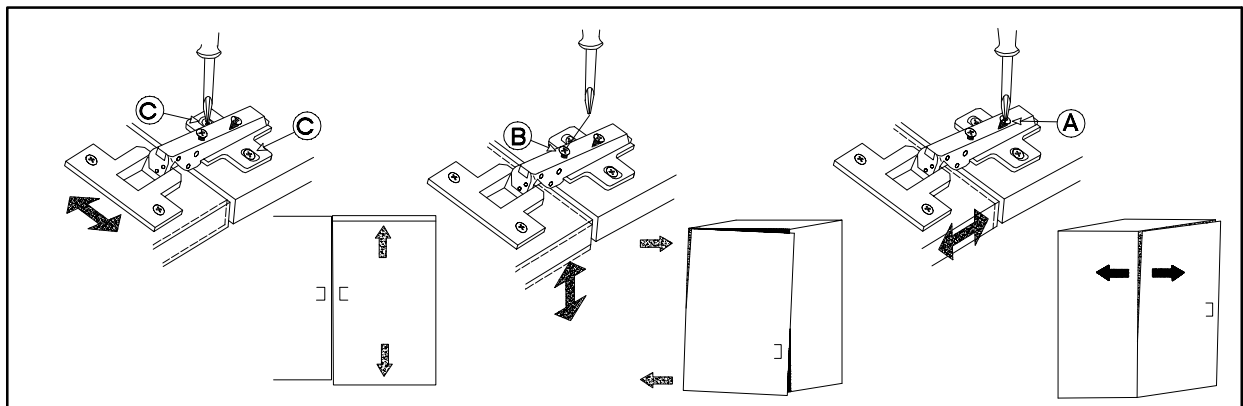
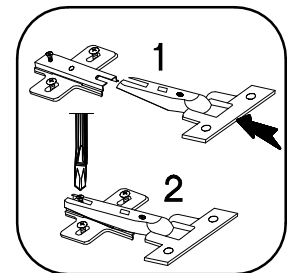
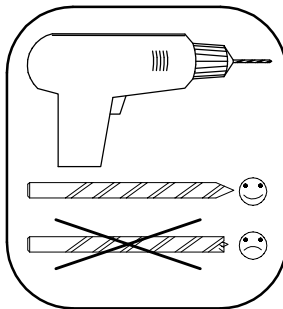
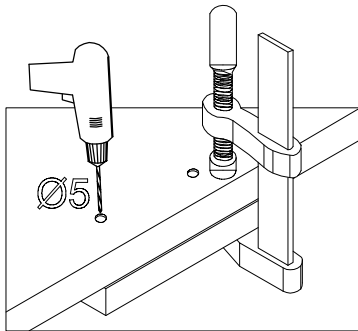
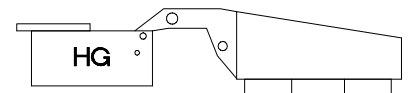
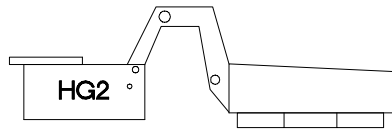
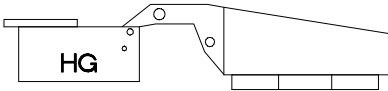
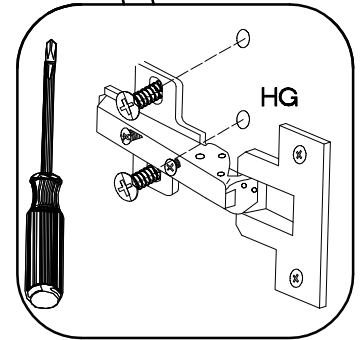
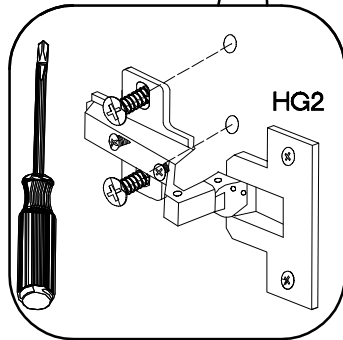
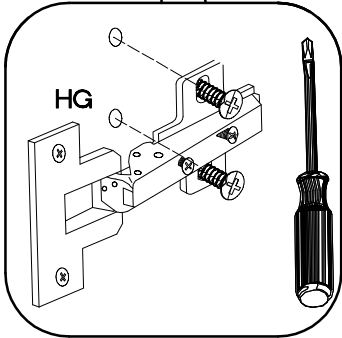
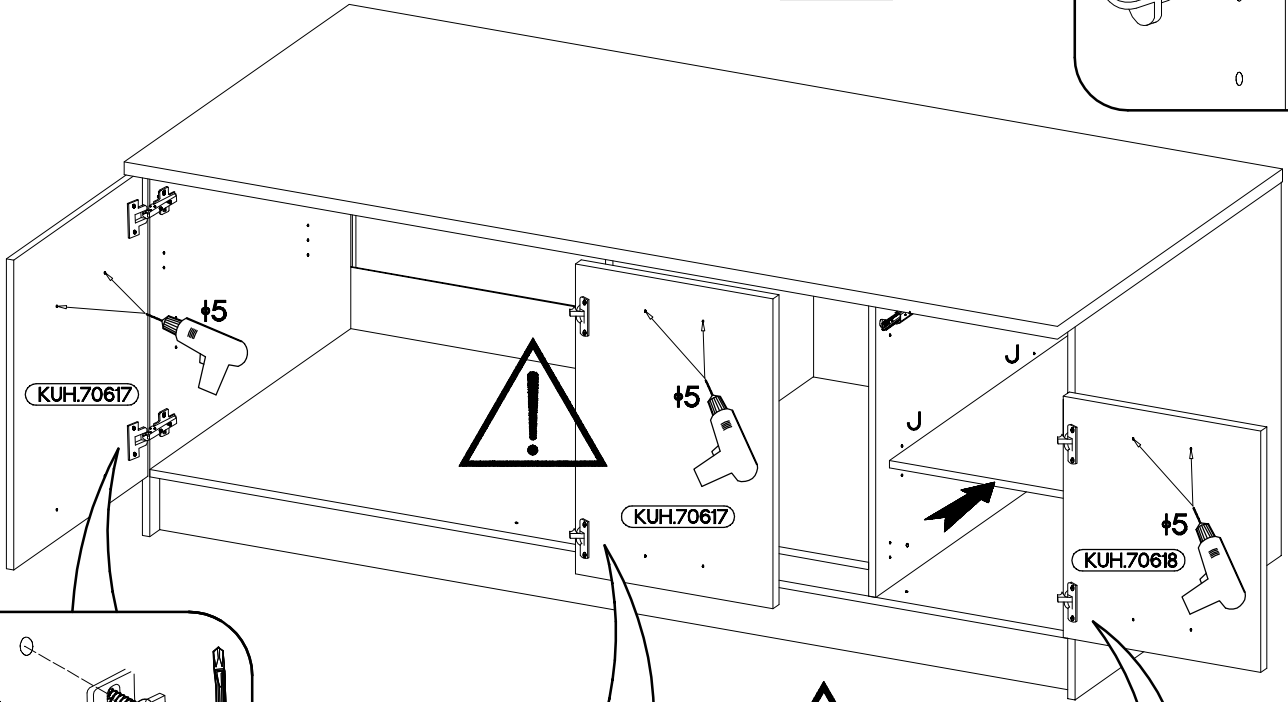
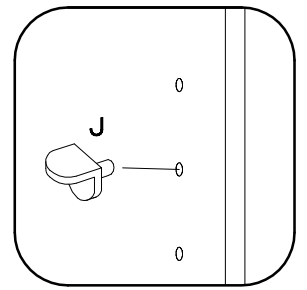
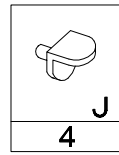
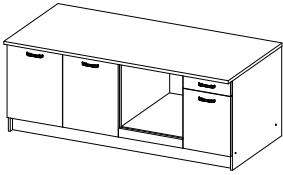


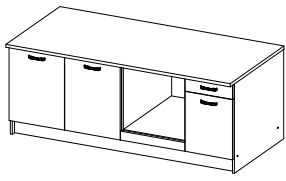
23




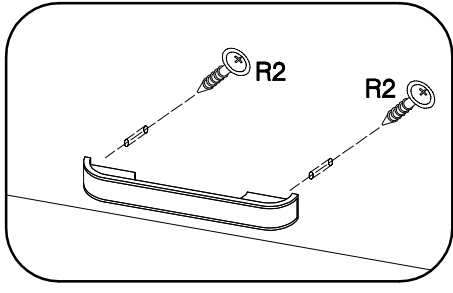
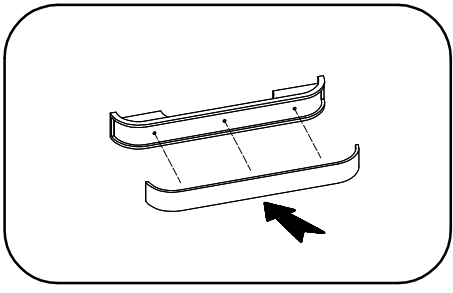
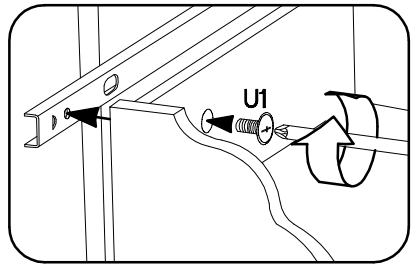
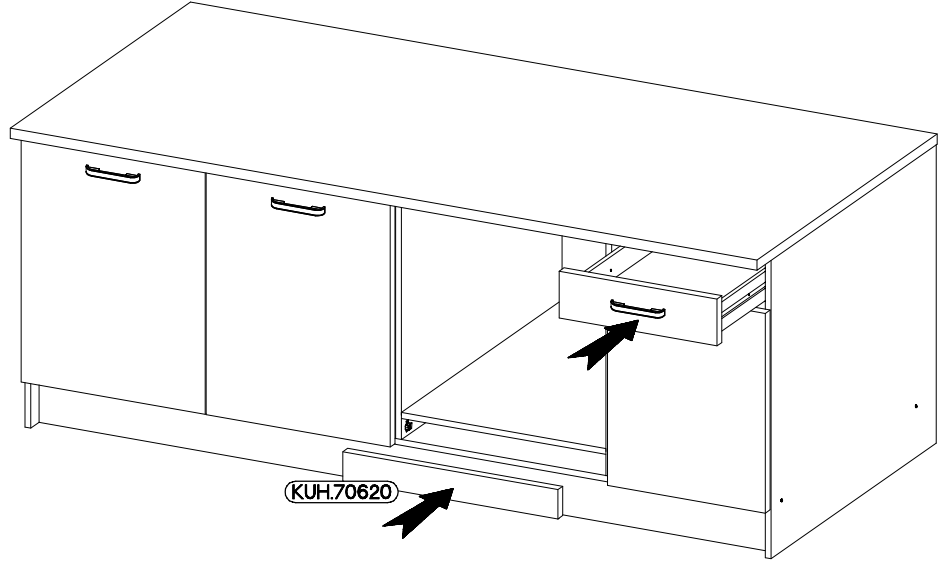
 †3.5x13mm P5 8	 F15 2
 L 3	 †3.0x20mm P7 20-25
	 †15x5mm F4 2

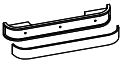






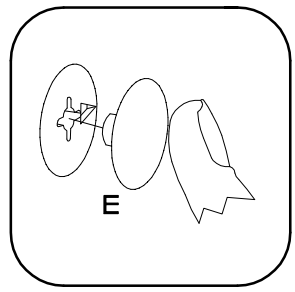



M4x9mm

U1
2

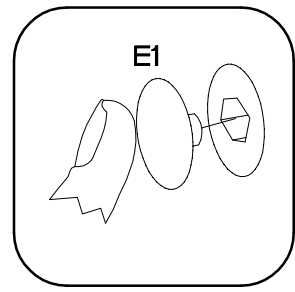


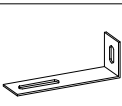
	±4.0x30mm
S25	
4	R2
	8

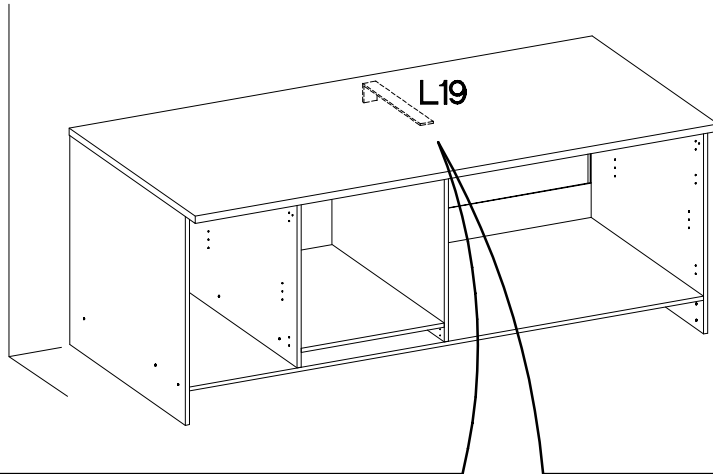
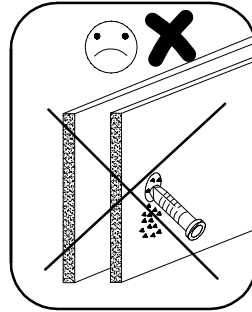
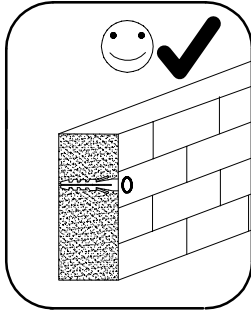
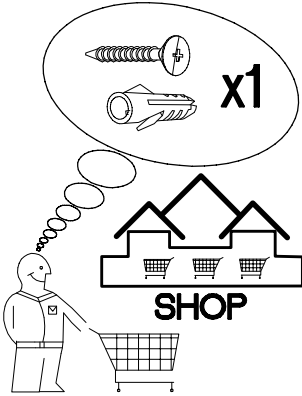
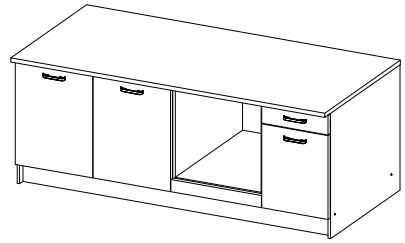
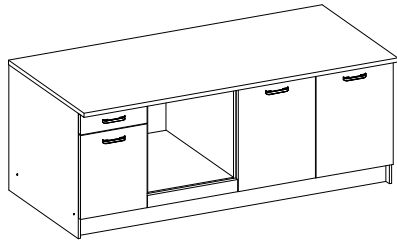

E
8

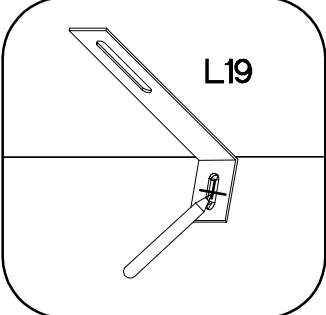
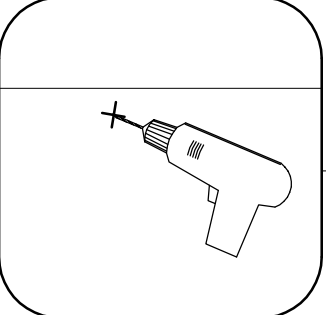
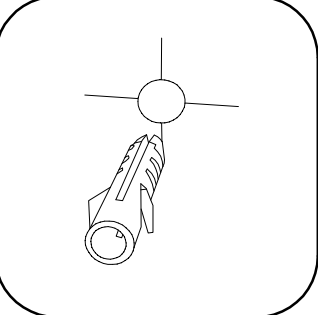
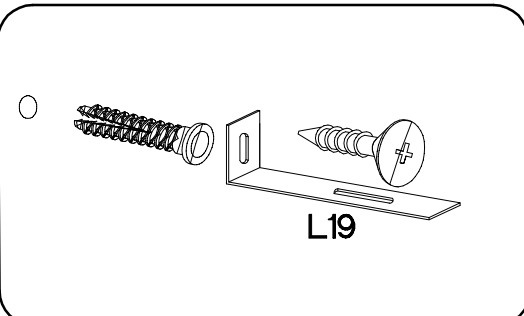



E1
8



3.5x13mm	
P5	L19
2	1



- 
- 
- 
- 
- 