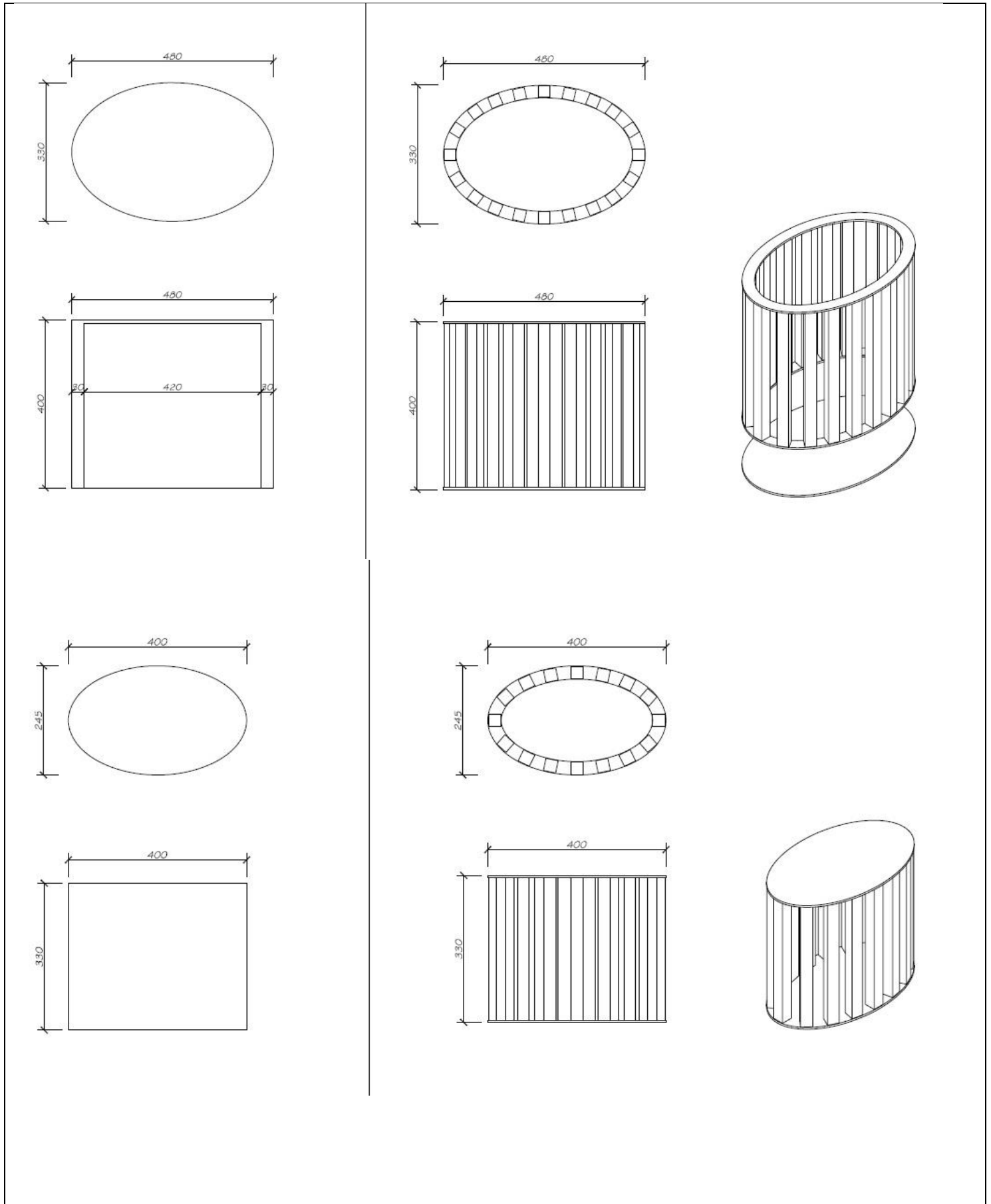


# Mice – coffee table

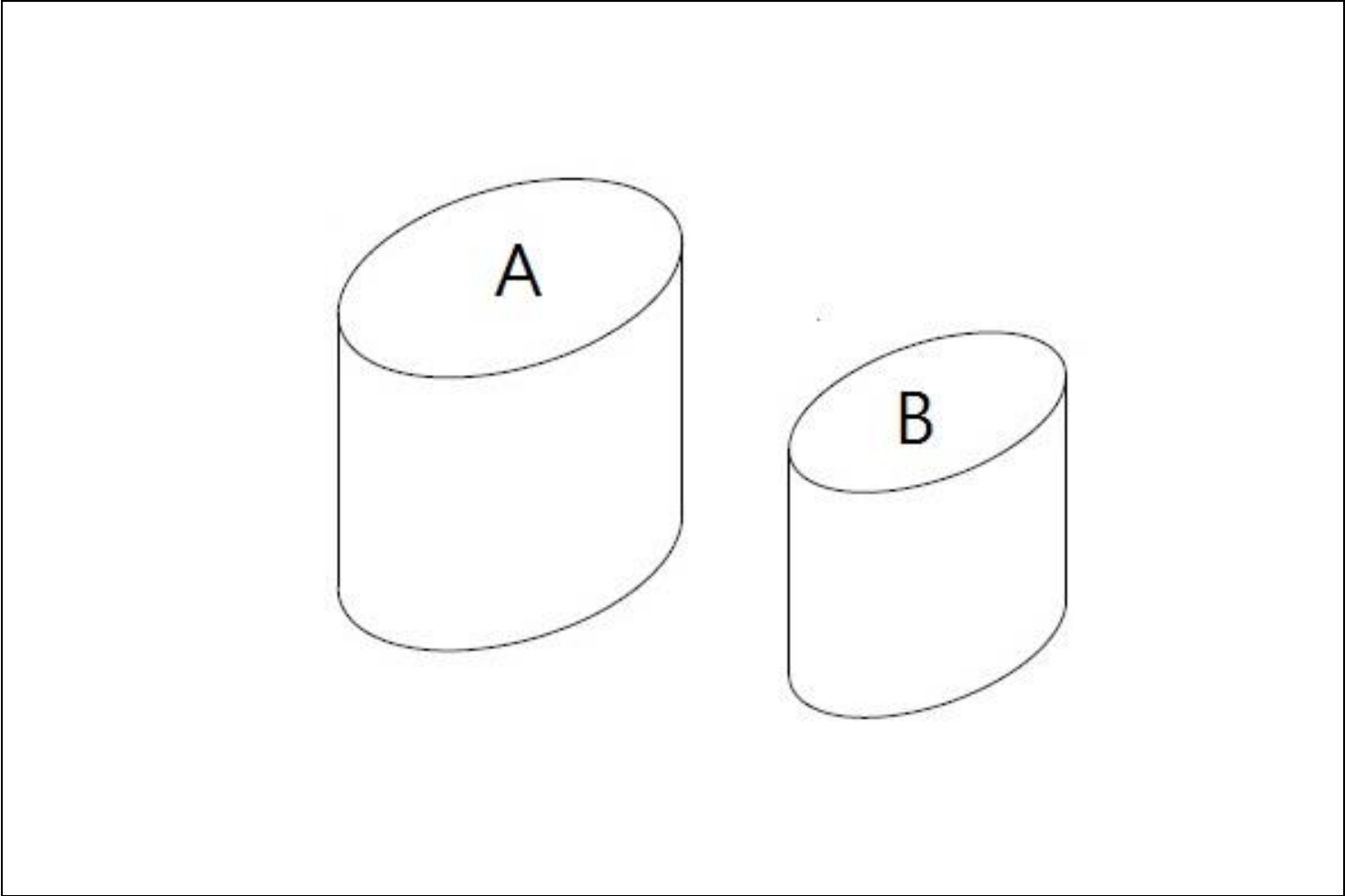
## Picture



Dimension tolerance  $\pm 3\text{mm}$  as a complete product

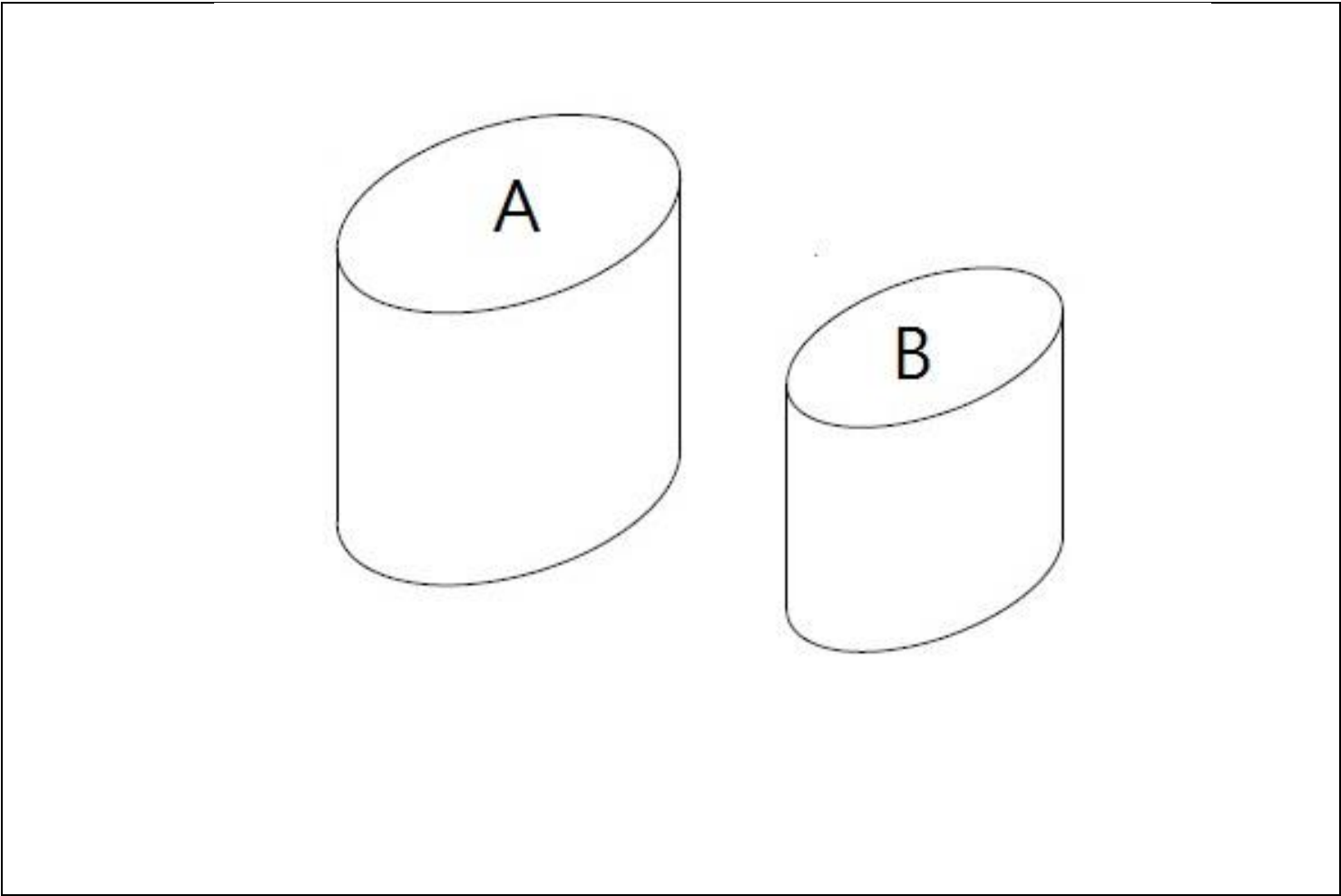


**Material**



Part	Description	Material	Surface	Dimension ( L x W x T ) mm.
1	ROUND PART	MDF	Paper-Delhi 40975 (travertine 40976)	480X330X400
2	ROUND PART	MDF	Paper-Delhi 40975 (travertine 40976)	400X245X330

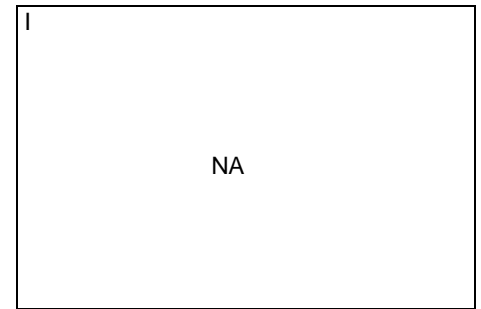
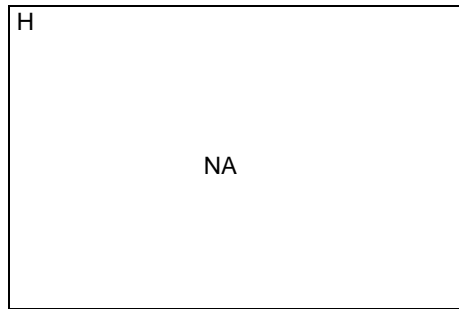
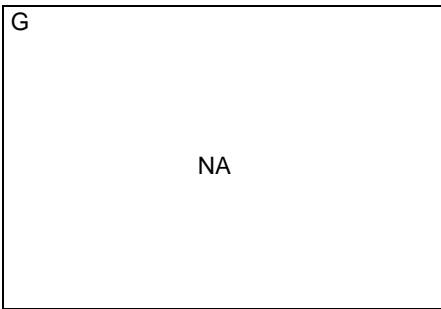
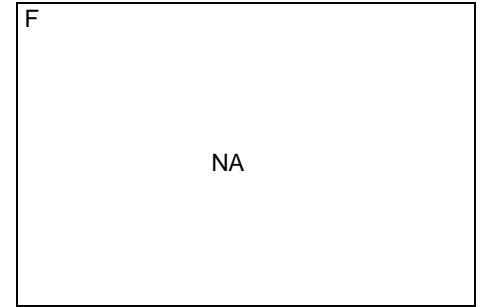
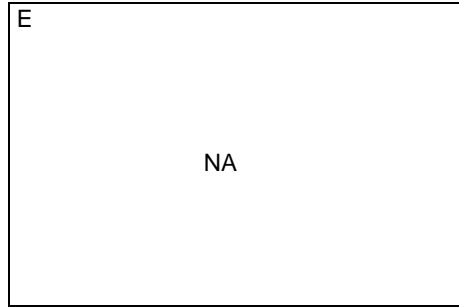
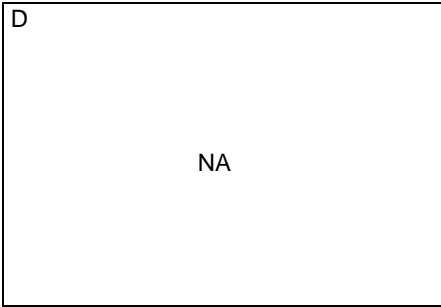
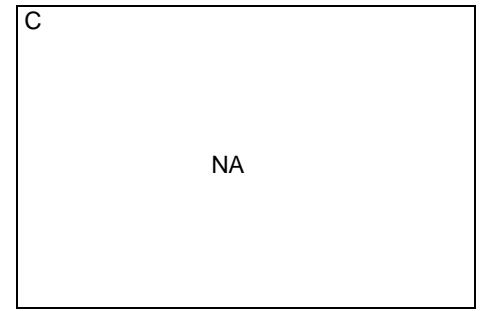
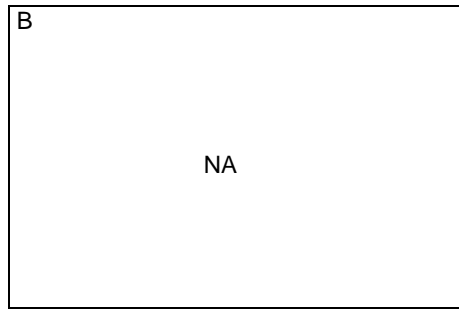
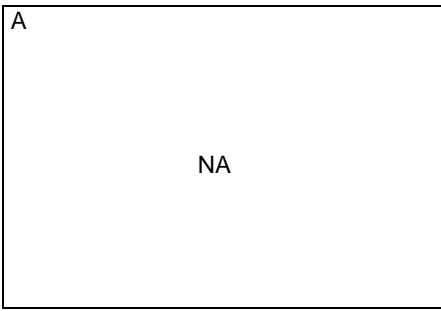
**Surface**



Part	Gloss	Top Coating	Other / Comments
1	10%	PAPER	rough semi gloss
2	10%	PAPER	rough semi gloss

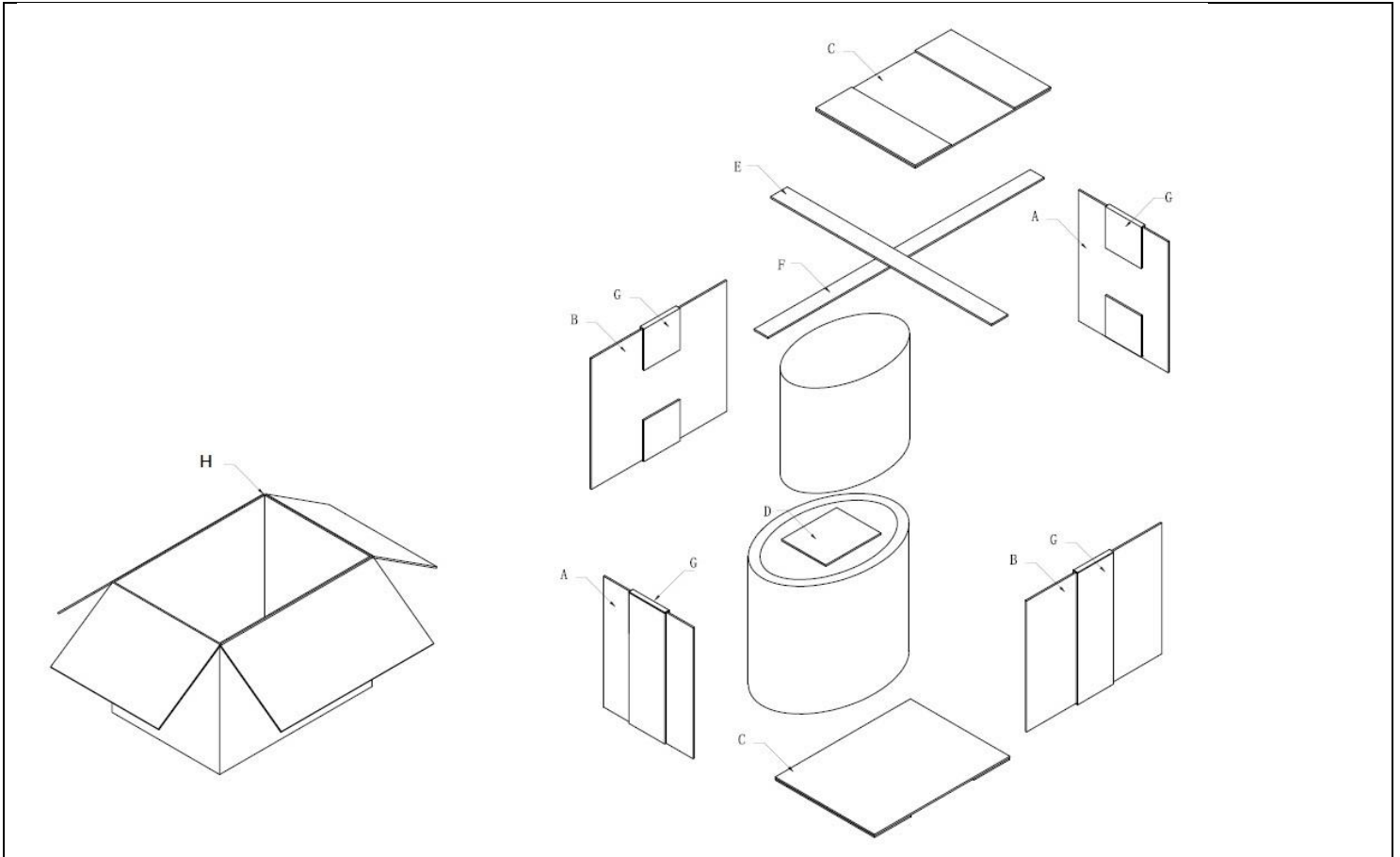


## Hardware from AI



Part	Pieces	Description	Material / Species	Dimension ( L x W x T ) mm.

# Packing plan - Colli 1



Part	Description	Material	Pieces	Dimension ( L x W x T ) mm.	Quality / Thickness / Density
A	Side protection	Cardboard	2	360*410*5	120LBS
B	Side protection	Cardboard	2	490*410*5	120LBS
C	Top bottom protection	Cardboard	2	490*360*10	120LBS
D	Filling	Cardboard	1	200*160*40	120LBS
E	Filling	Cardboard	1	60*800x5	120LBS
F	Filling	Cardboard	1	60*1000x5	120LBS
G	Side protection	Cardboard	4	130*530*5	120LBS
H	Carton Box	Cardboard	1	510*370*445	180LBS / 5 layers