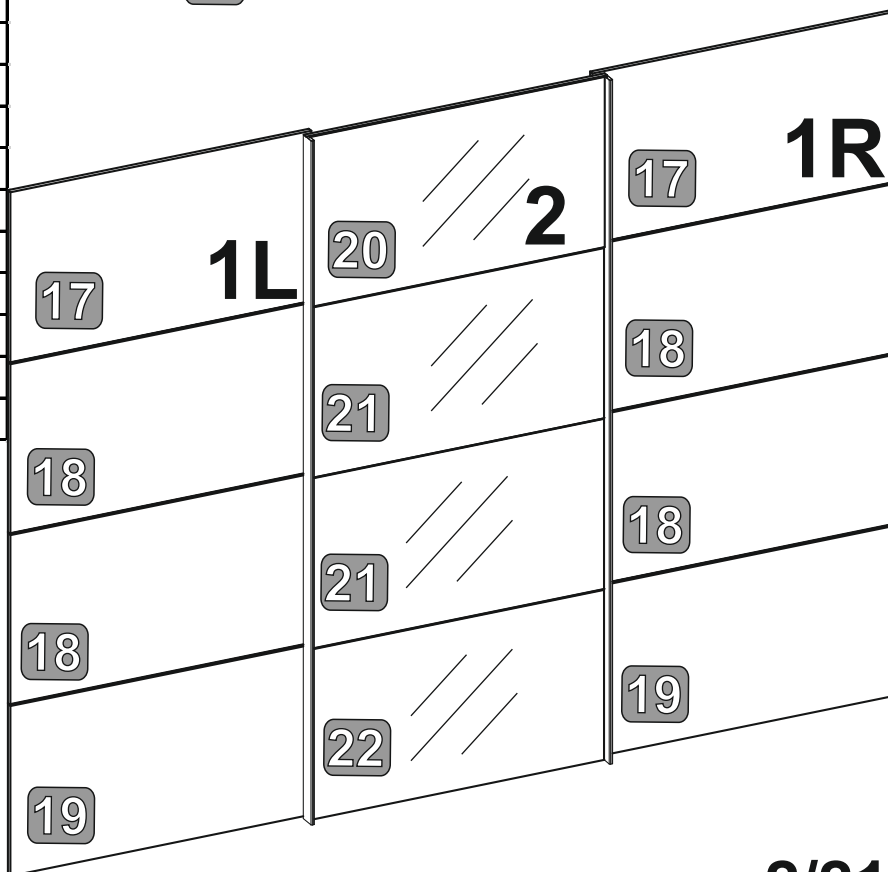
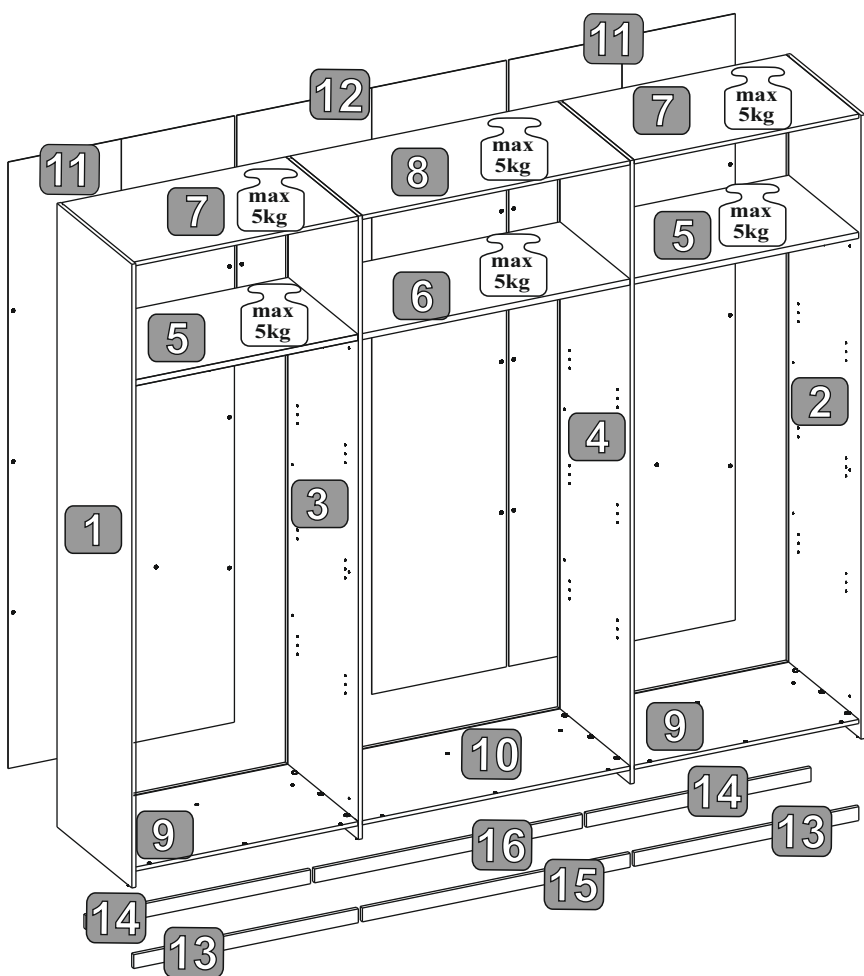
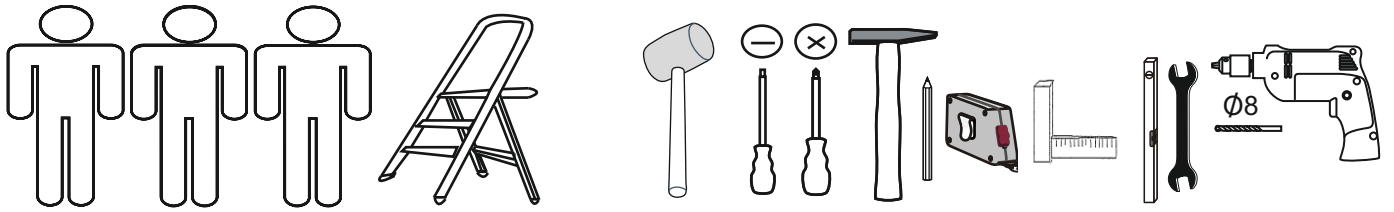




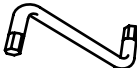



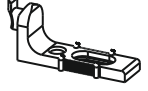







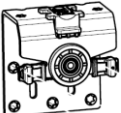
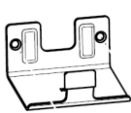



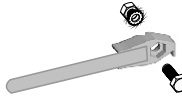
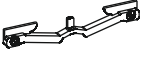





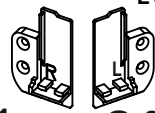

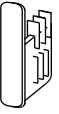
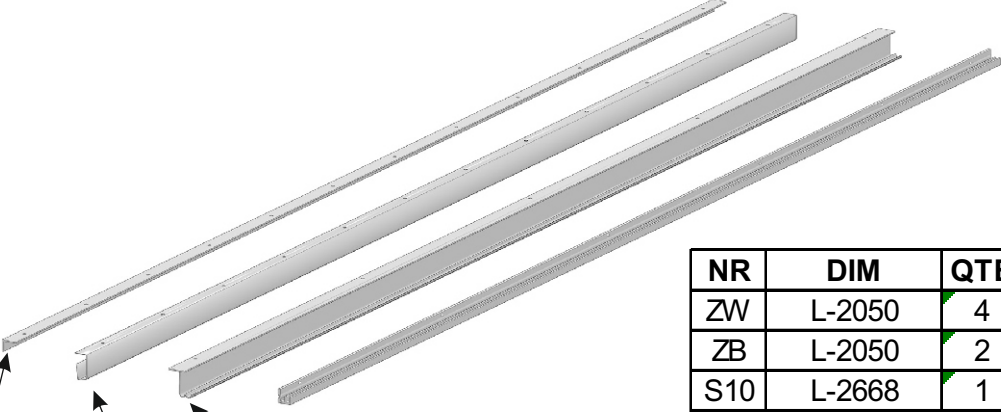
NR	DIM	QTE	COLLI
1	2095x551x15	1	3/8
2	2095x551x15	1	3/8
3	2094x535x15	1	4/8
4	2094x535x15	1	4/8
5	827x515x22	2	1/8
6	986x515x22	1	2/8
7	827x535x15	2	1/8
8	986x535x15	1	2/8
9	827x535x15	2	1/8
10	986x535x15	1	2/8
11	2033x834x2	2	3/8
12	2033x993x2	1	4/8
13	827x50x15	2	2/8
14	827x50x15	2	2/8
15	986x50x15	1	2/8
16	986x50x15	1	2/8
17	920x512,5x15	2	5/6/8
18	920x512,5x15	4	5/6/8
19	920x512,5x15	2	5/6/8
20	920x512,5x15	1	7/8
21	920x512,5x15	2	7/8
22	920x512,5x15	1	7/8



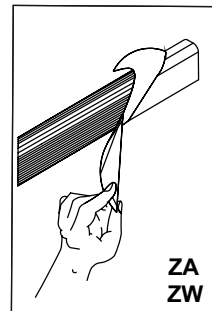
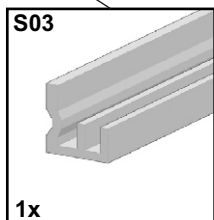
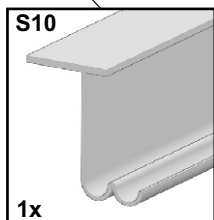
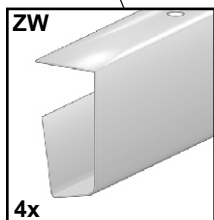
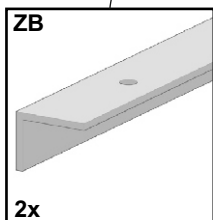
# ORLANDO

# 58-560

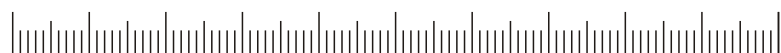


 48x T05	 48x T04	 1x K01	 5x40 18x W16	 18x C02	 36x R01	 24x R02
 6,3x10 24x W20	 20x S01	 6x E03	 L-978 1x J01	 L-818 2x J02	 3,5x13 211x W02	 6x11 42x W12
 2x P-10	 2x P-07	 2x P-09	 4x P-06	 2x P-08	 2x F-02	 1x POZ
 3,5x13 13x W05	 2x P01	 4x13 4x W07	 2x F01	 2x F11	 L+R 1x G-02	 27x W08
 H-50 8x ZA1						





NR	DIM	QTE	COLLI
ZW	L-2050	4	8/8
ZB	L-2050	2	8/8
S10	L-2668	1	8/8
S03	L-2668	1	8/8

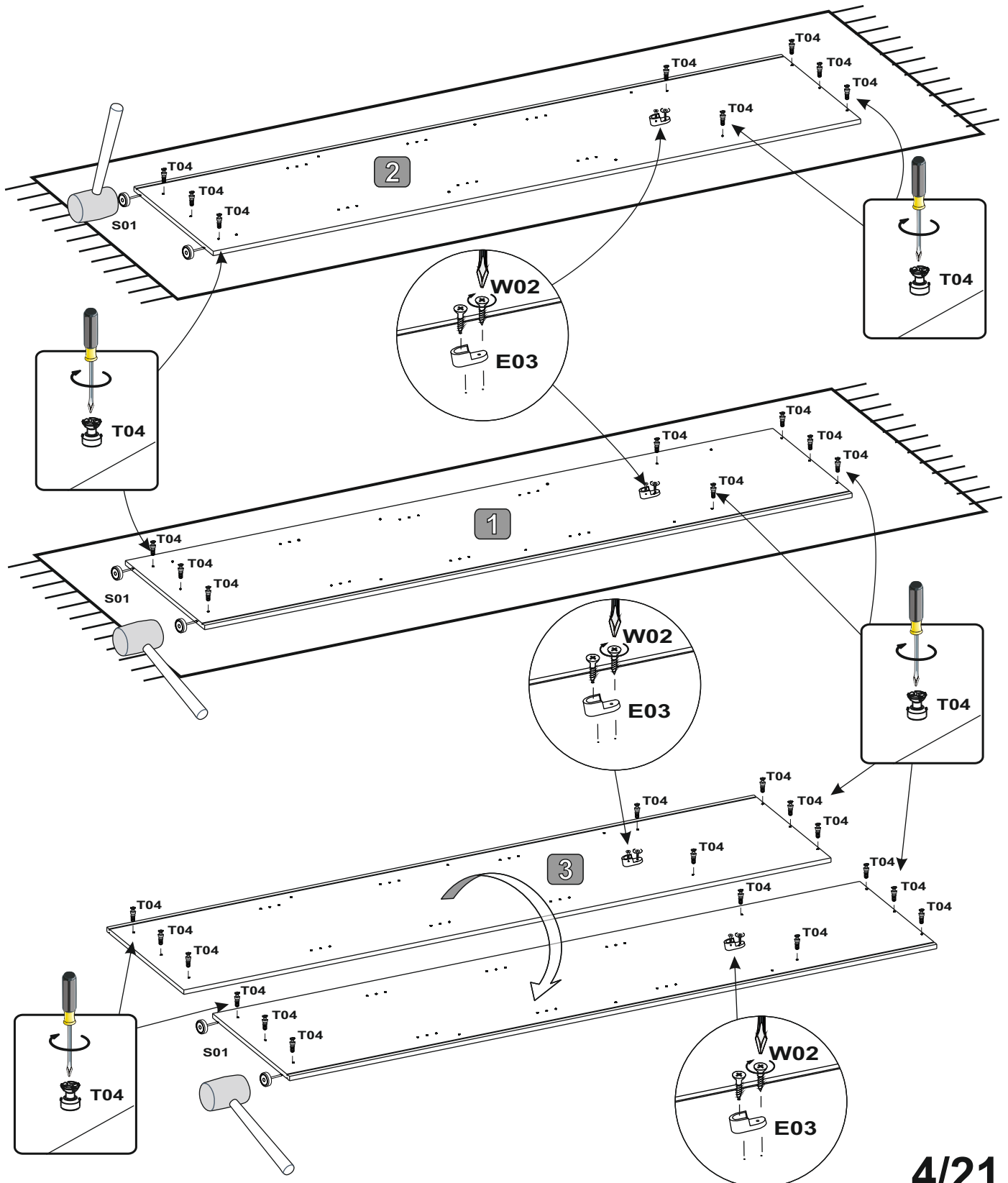


0 10 20 30 40 50 60 70 80 90 100



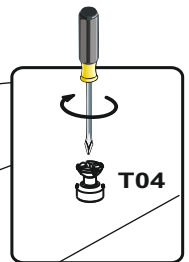
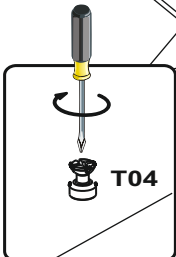
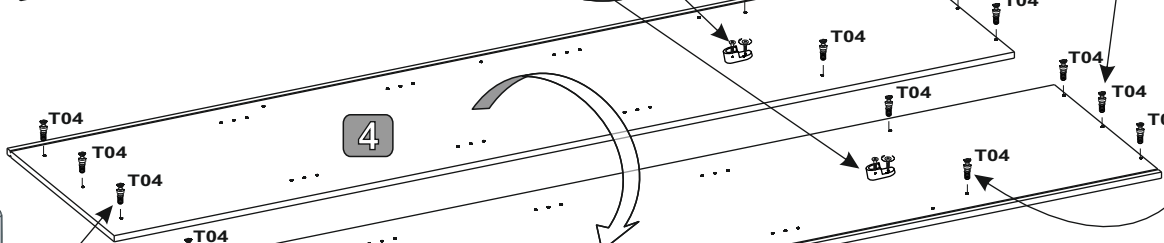
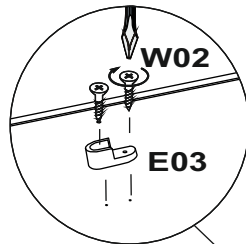
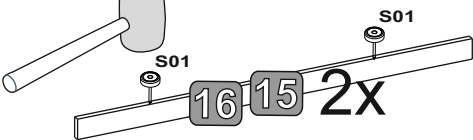
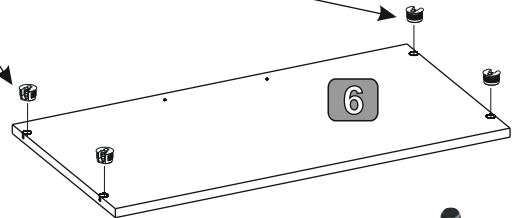
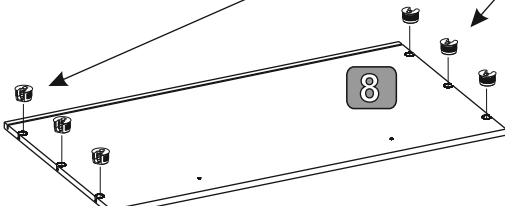
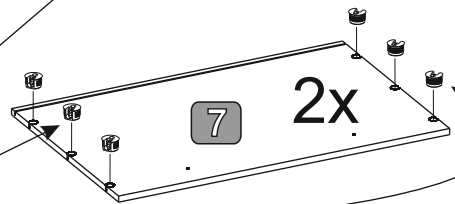
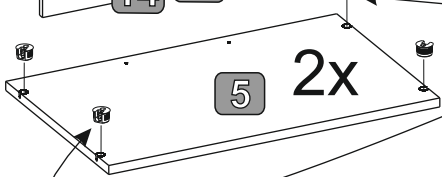
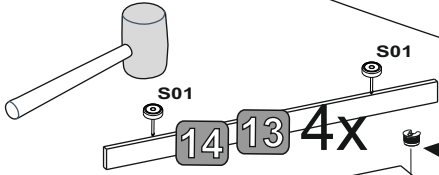
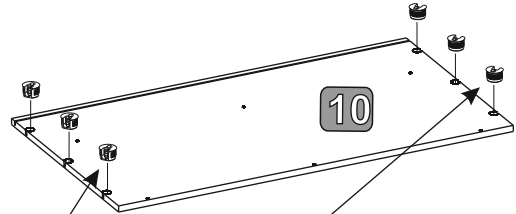
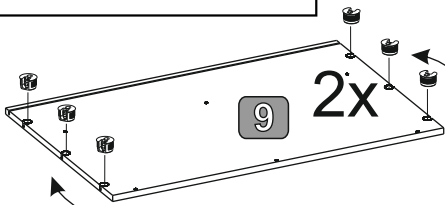
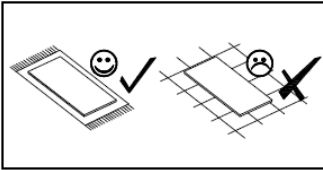
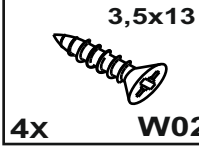
# 1

			
6x S01	32x T04	8x W02	4x E03

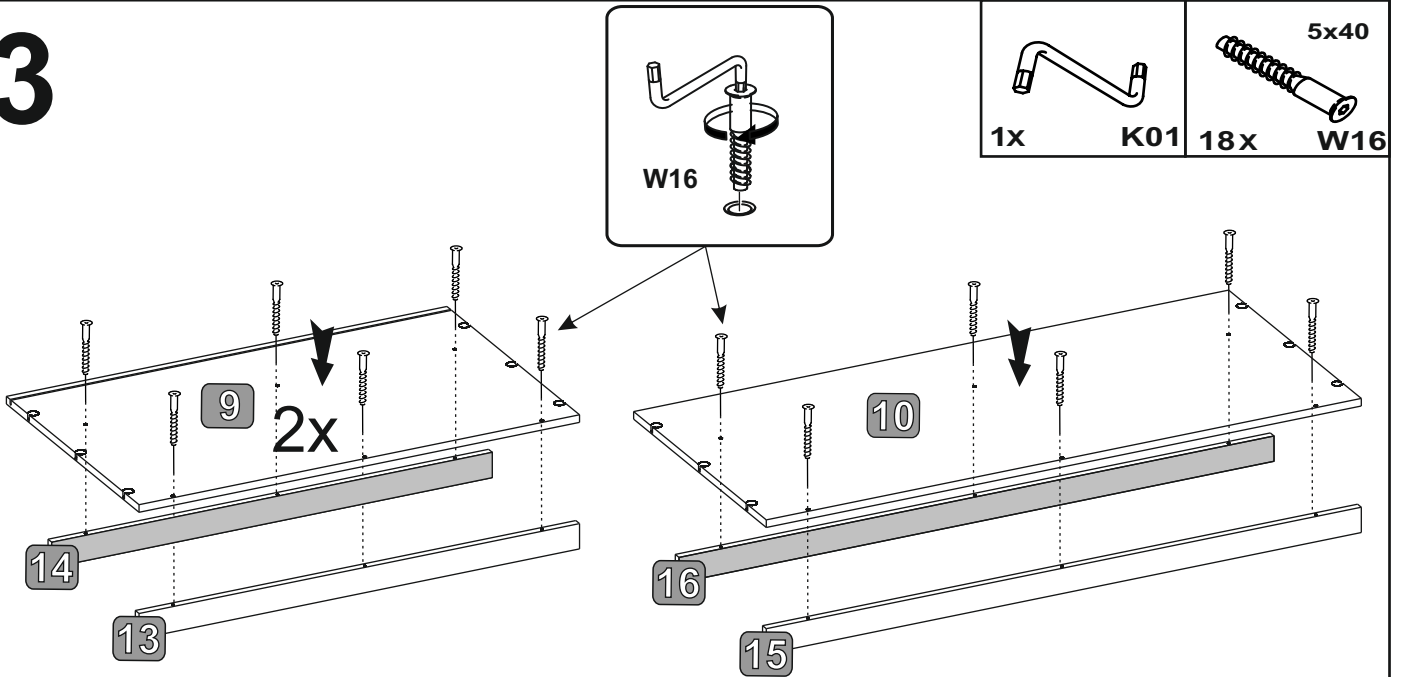




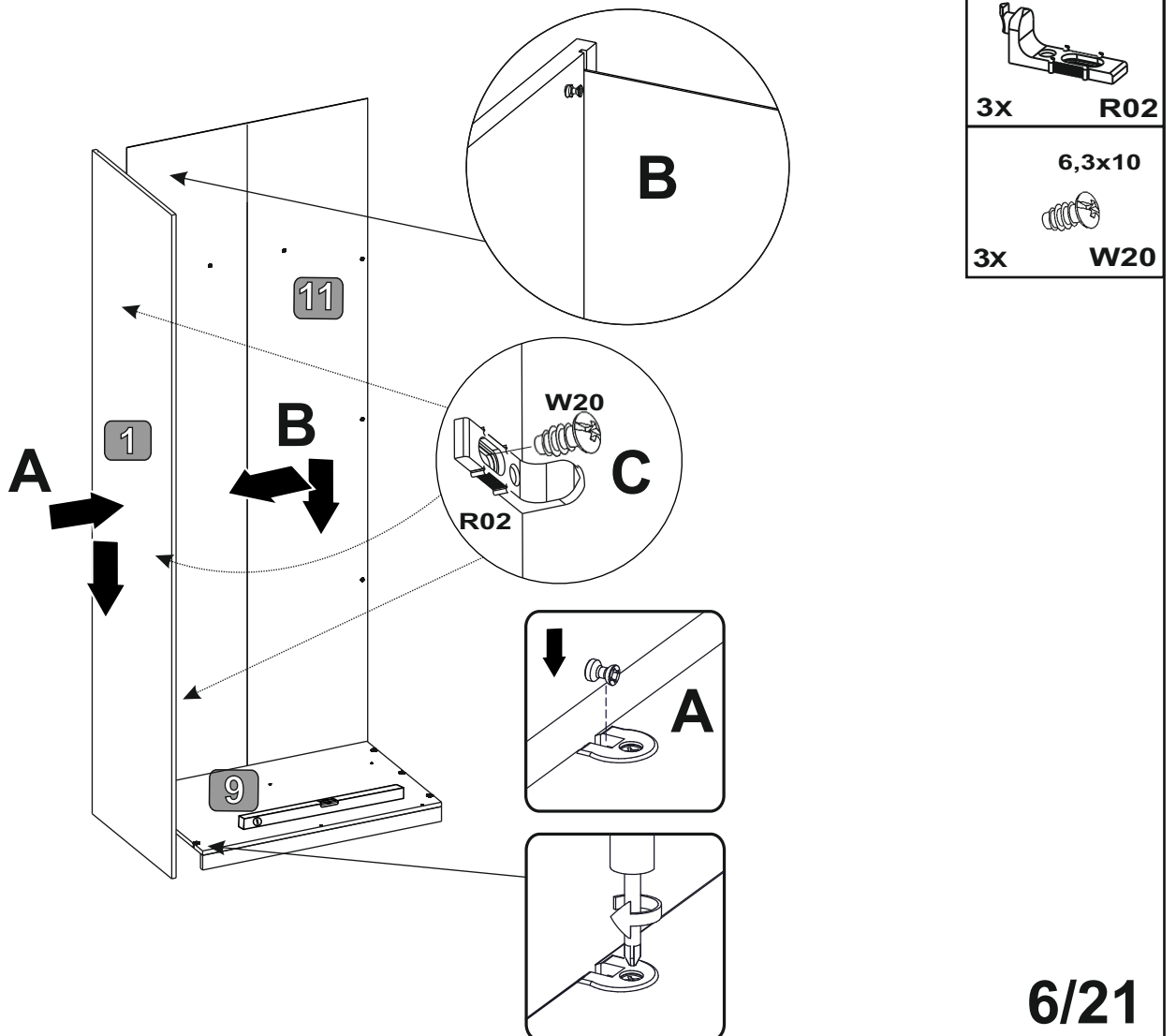
## 2



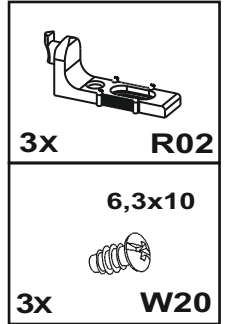
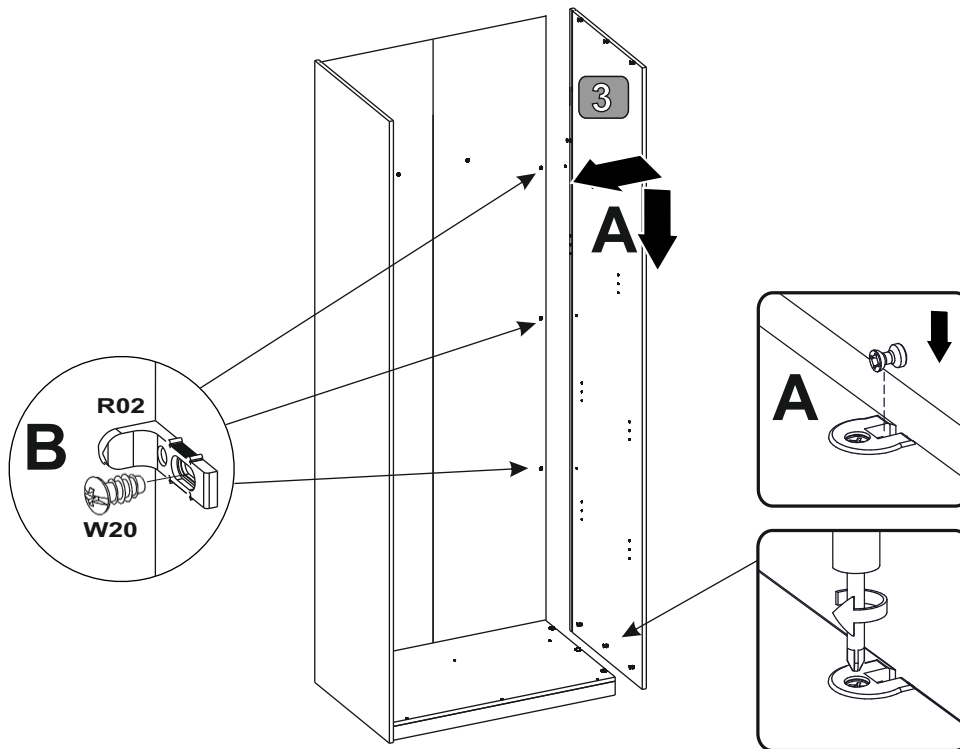
## 3



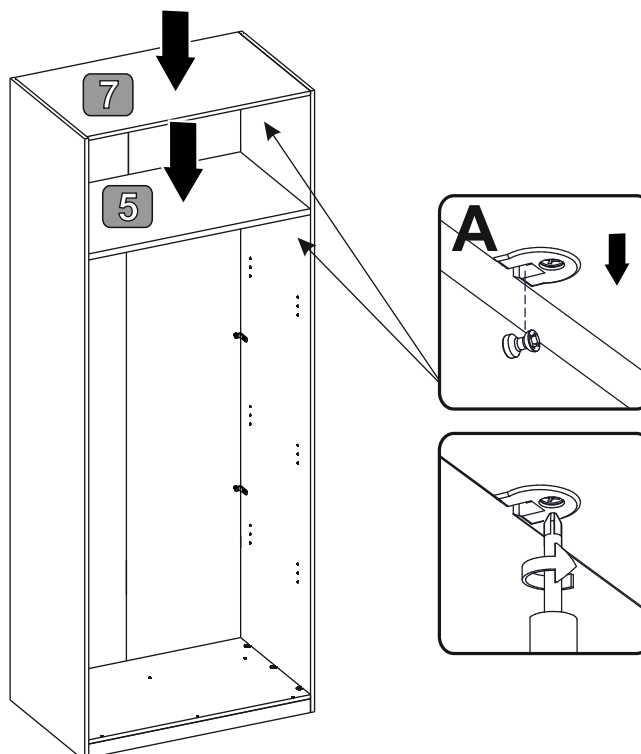
## 4



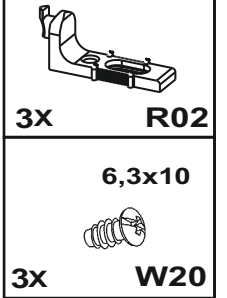
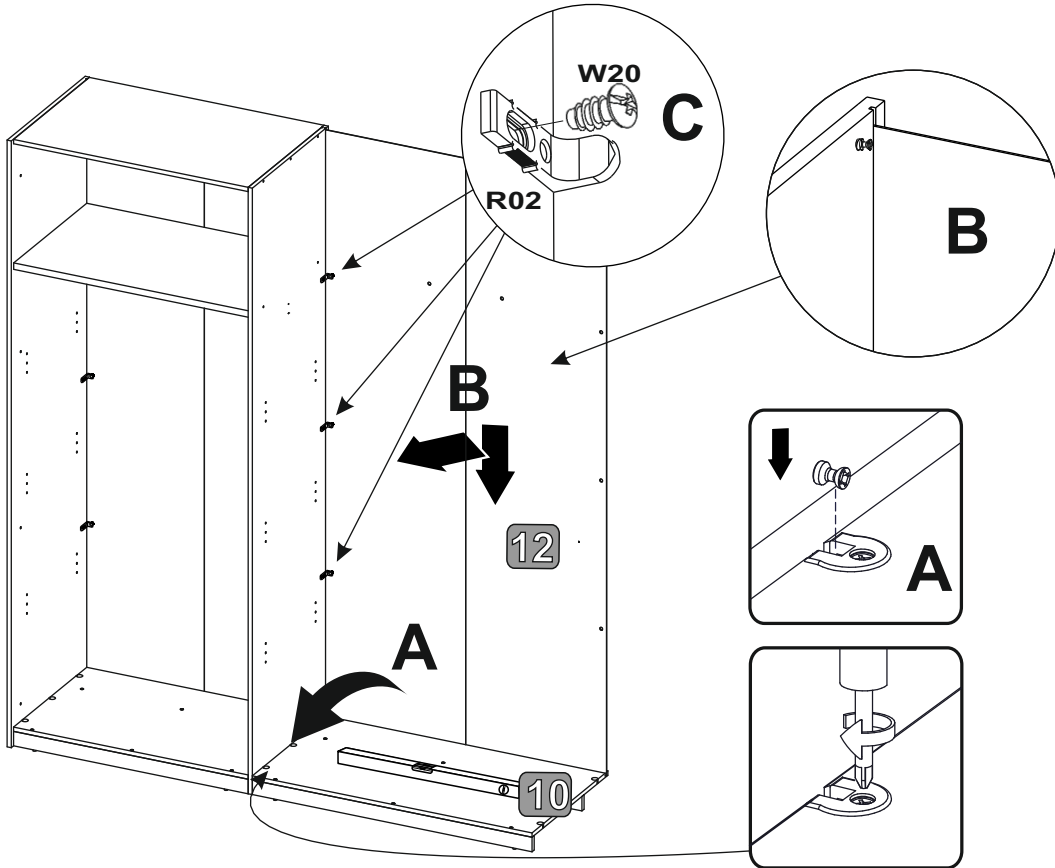
## 5



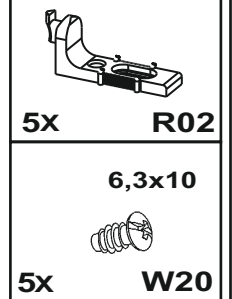
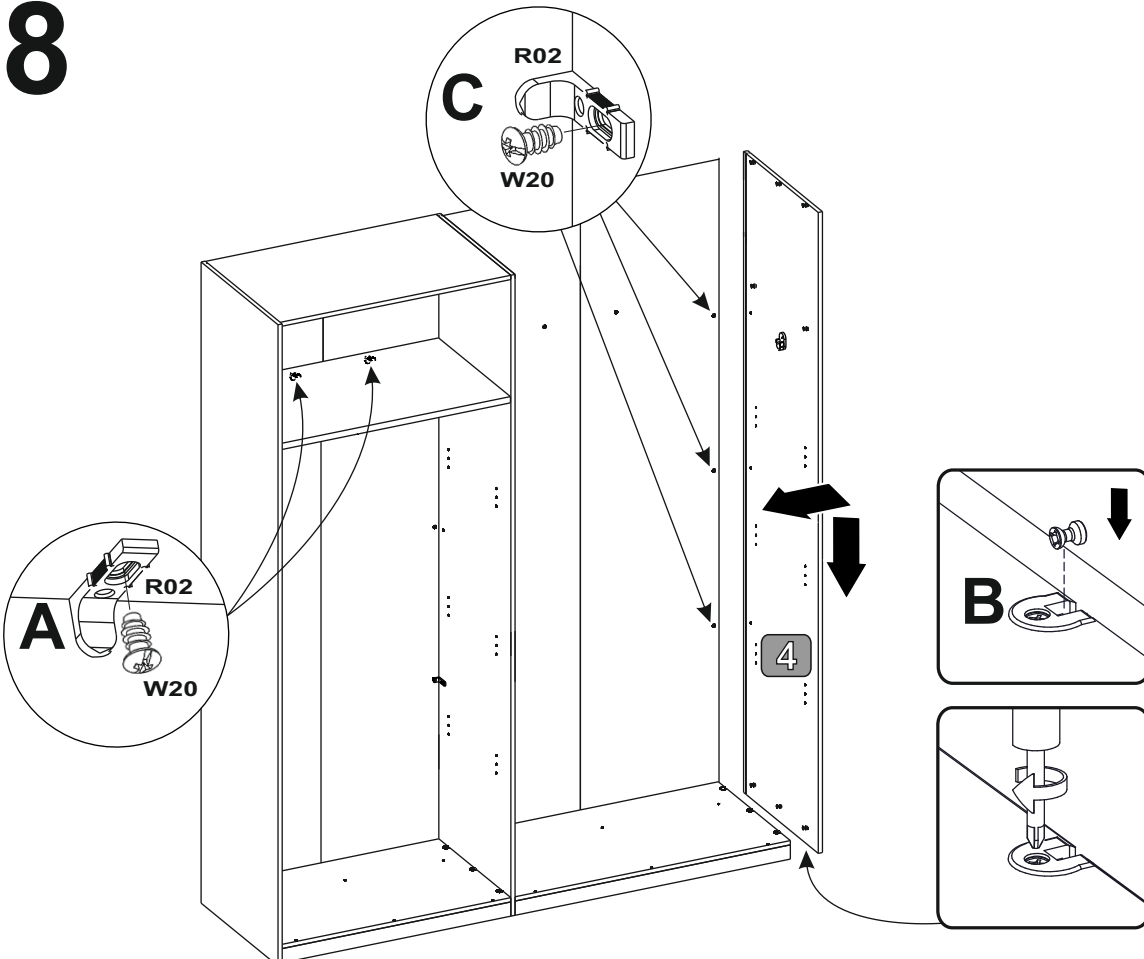
## 6



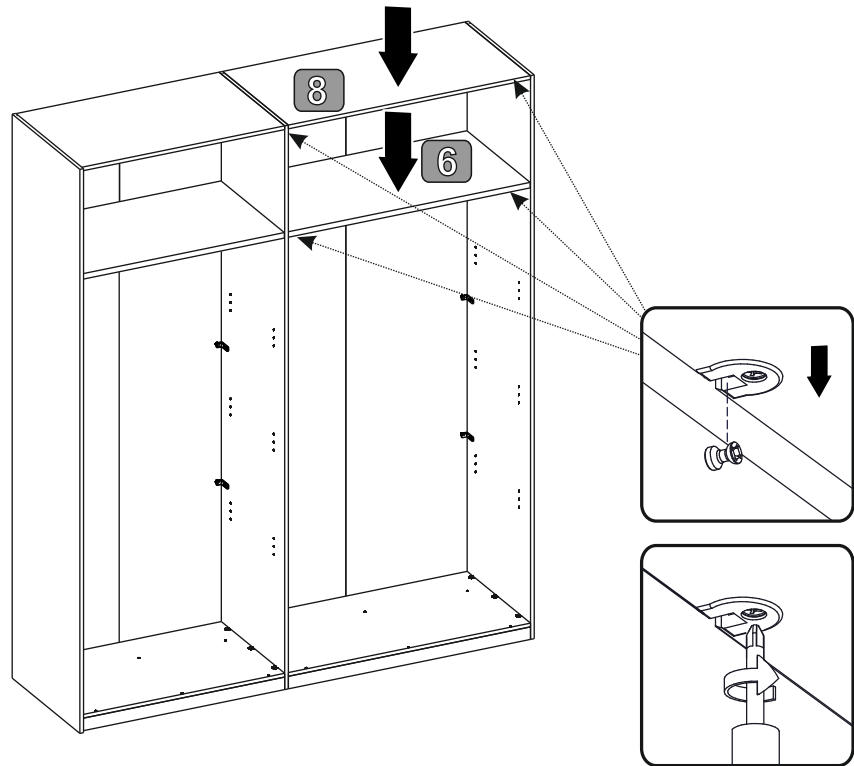
## 7



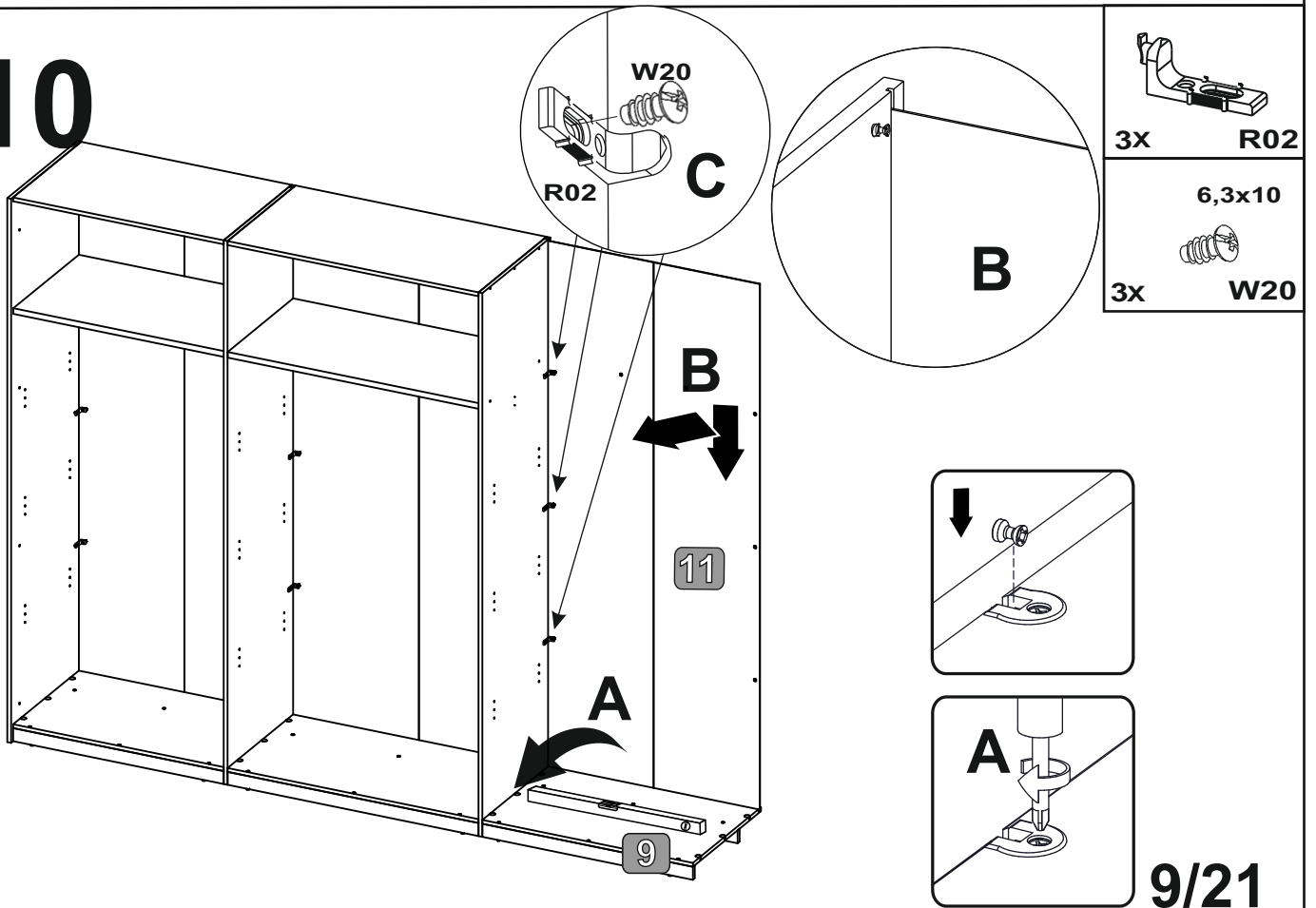
## 8



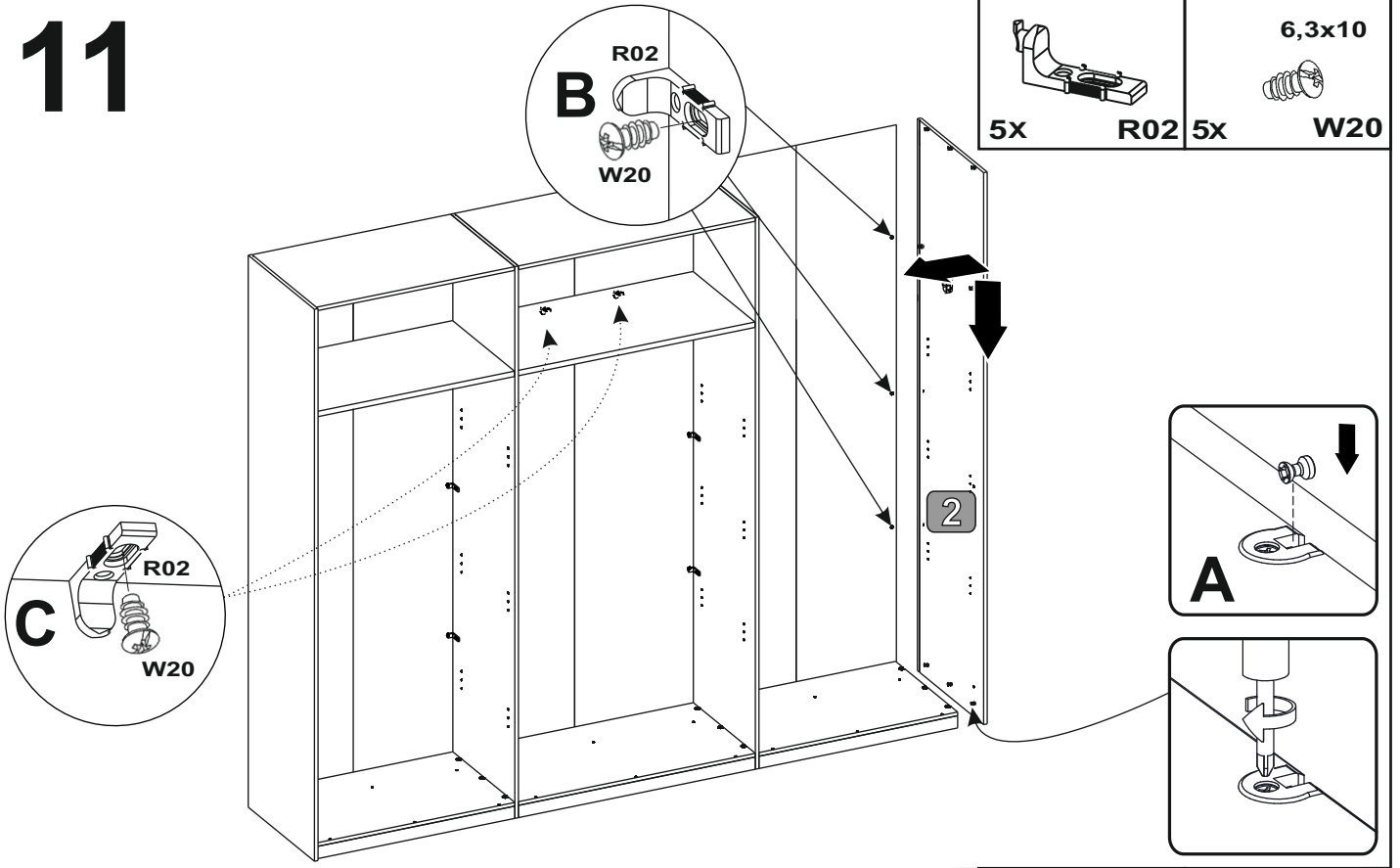
9



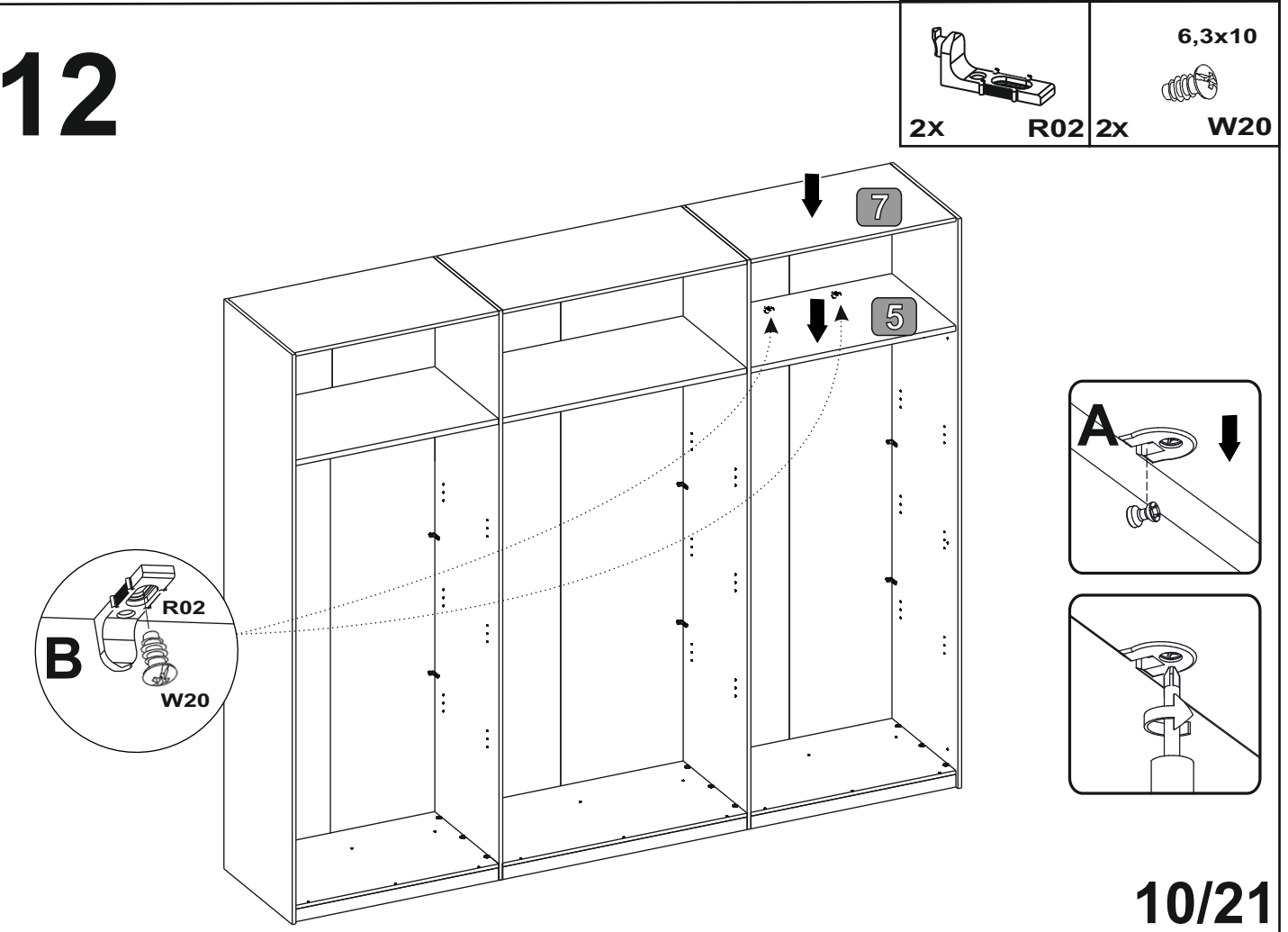
10



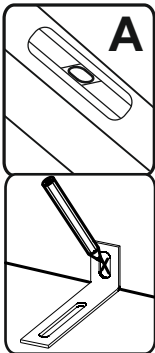
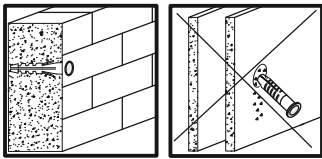
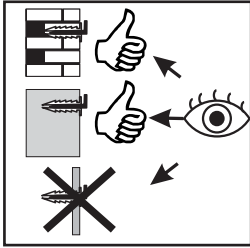
## 11











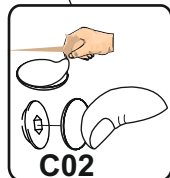
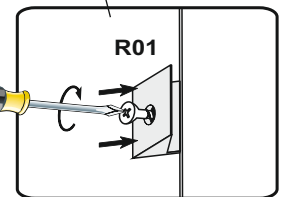
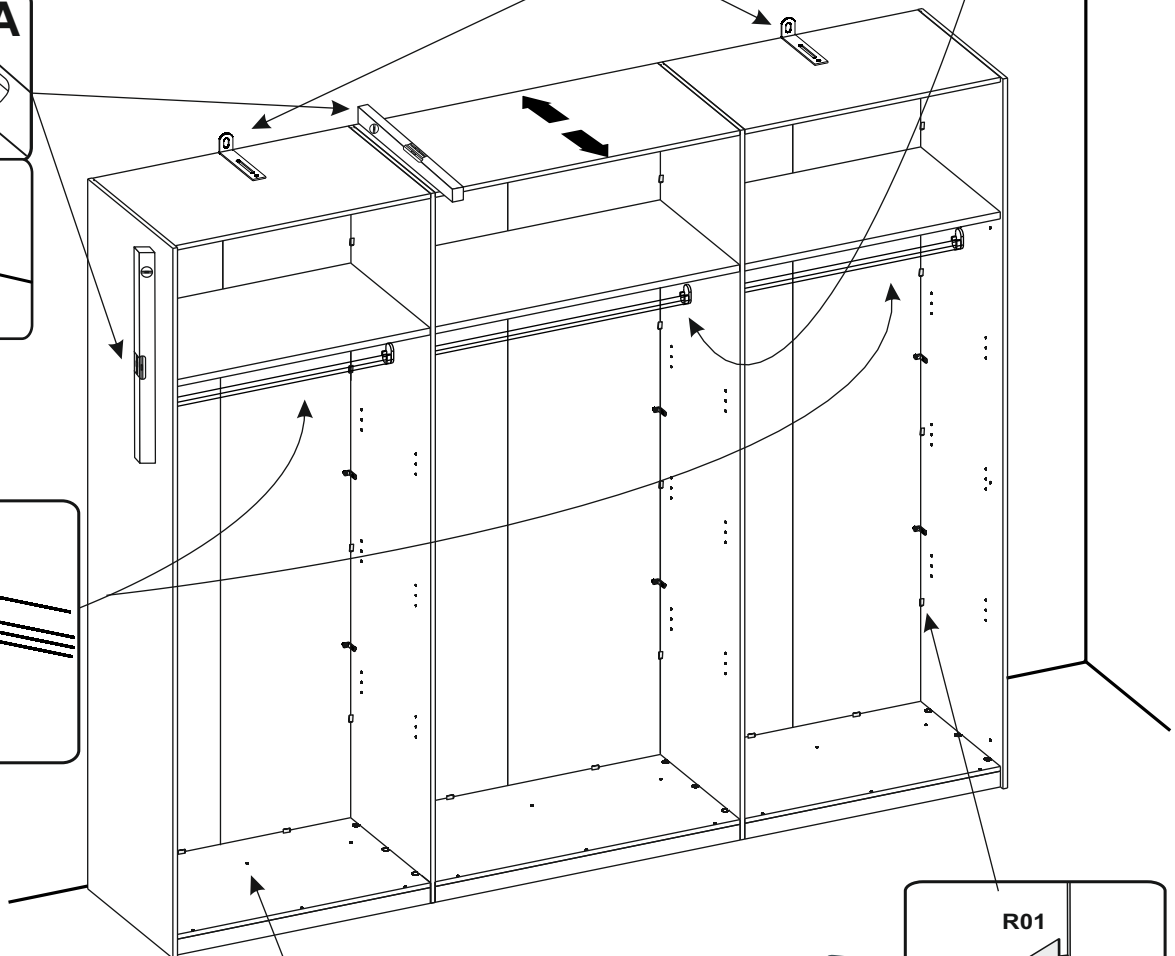
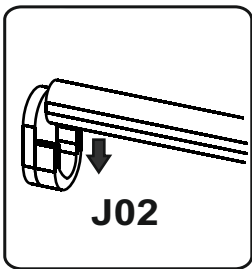
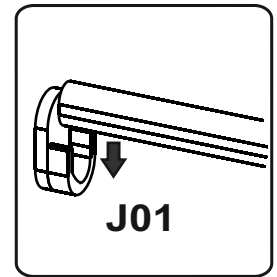
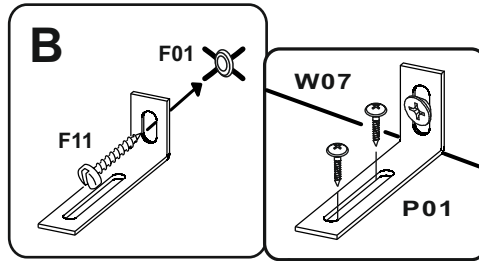
## 12



# 13

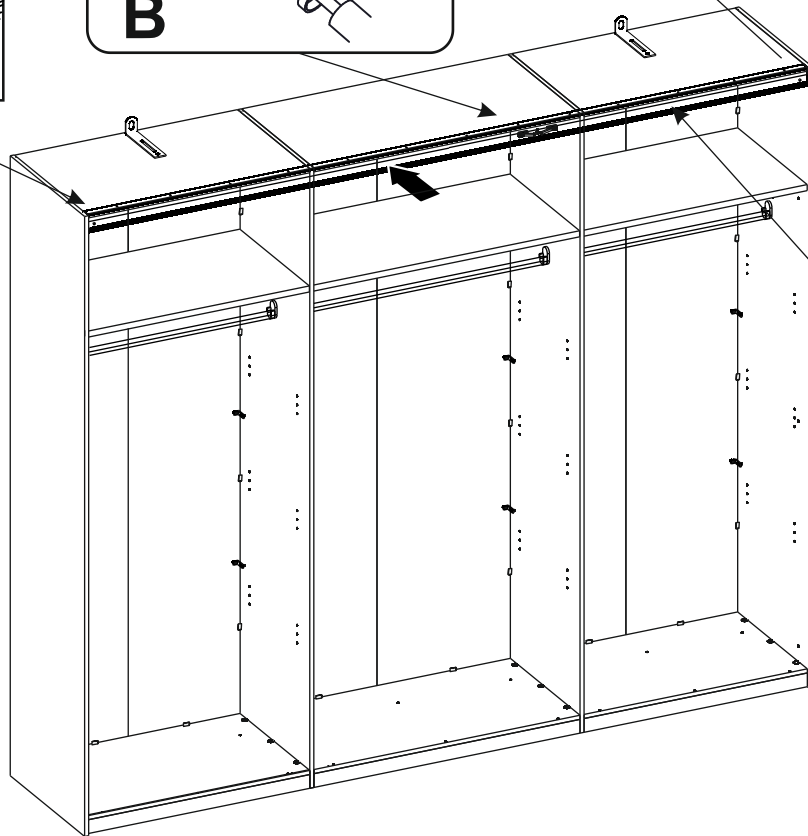
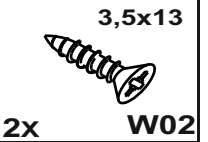
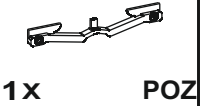
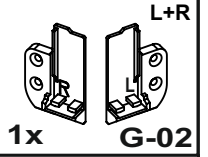
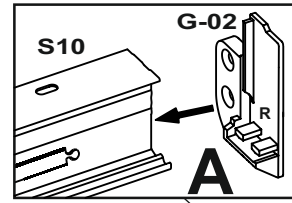
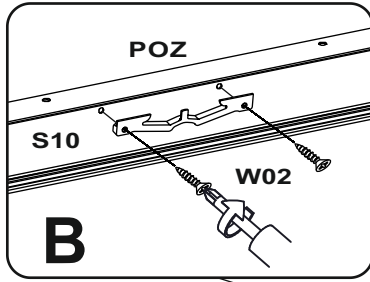
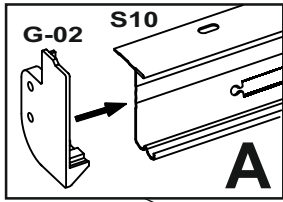


 2x F01	 2x F11	 36x R01	 4x W07	 2x P01
		 18x C02	 1x J01	 2x J02

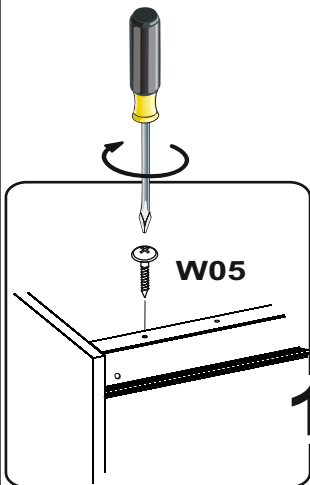




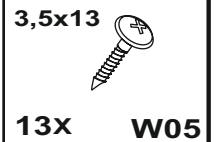
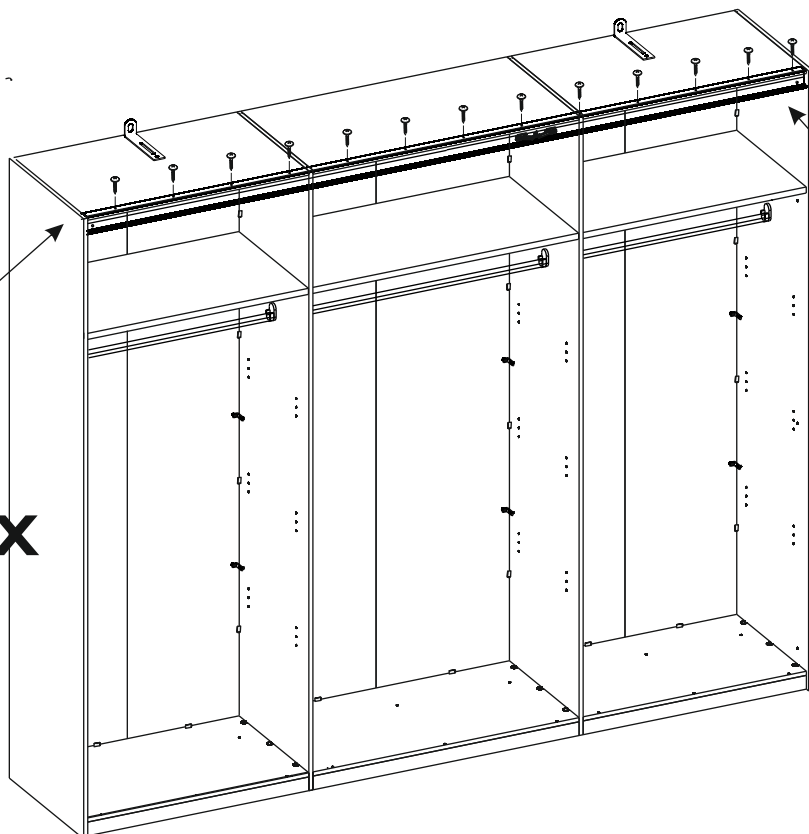
## 14



## 15

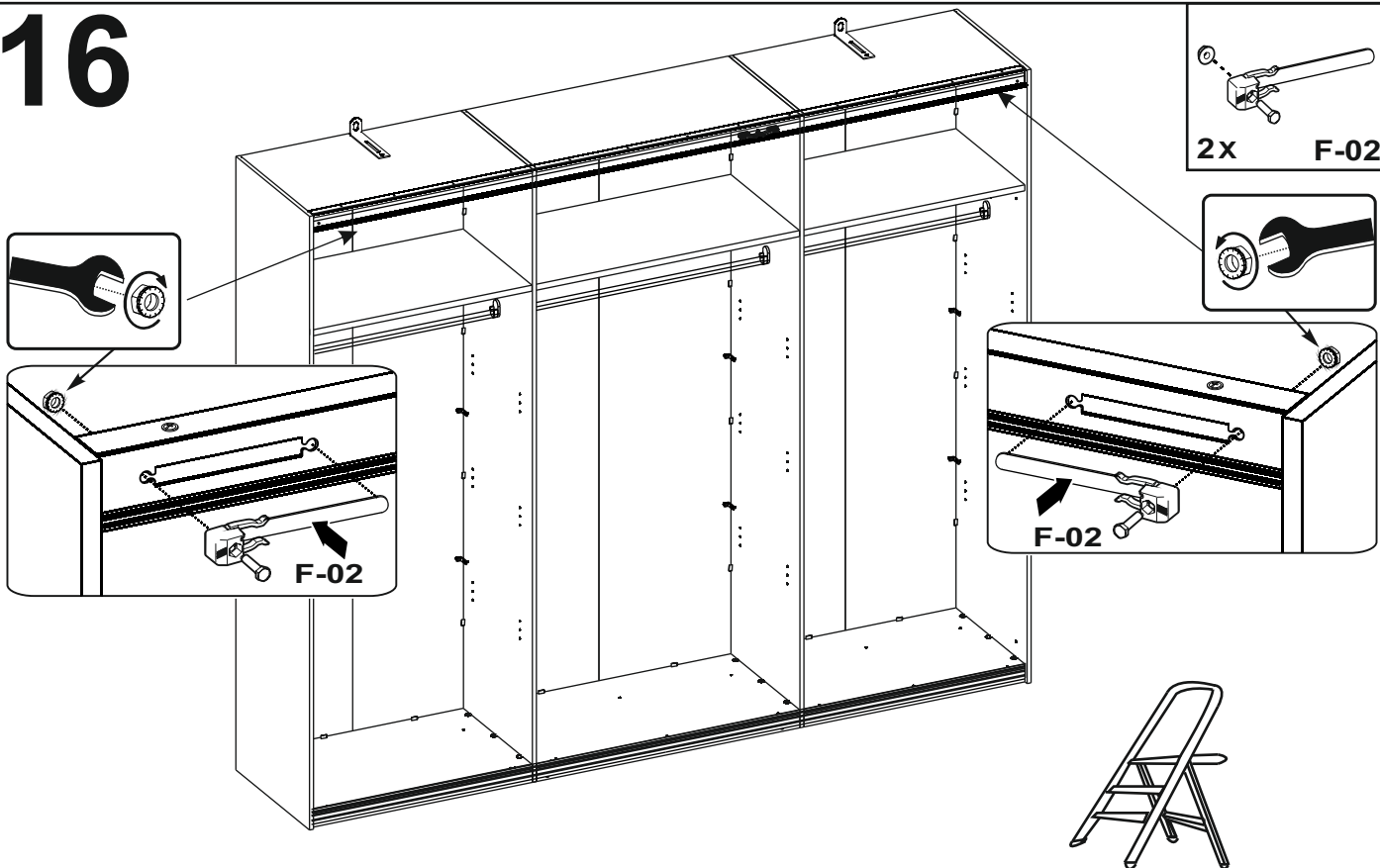


13x

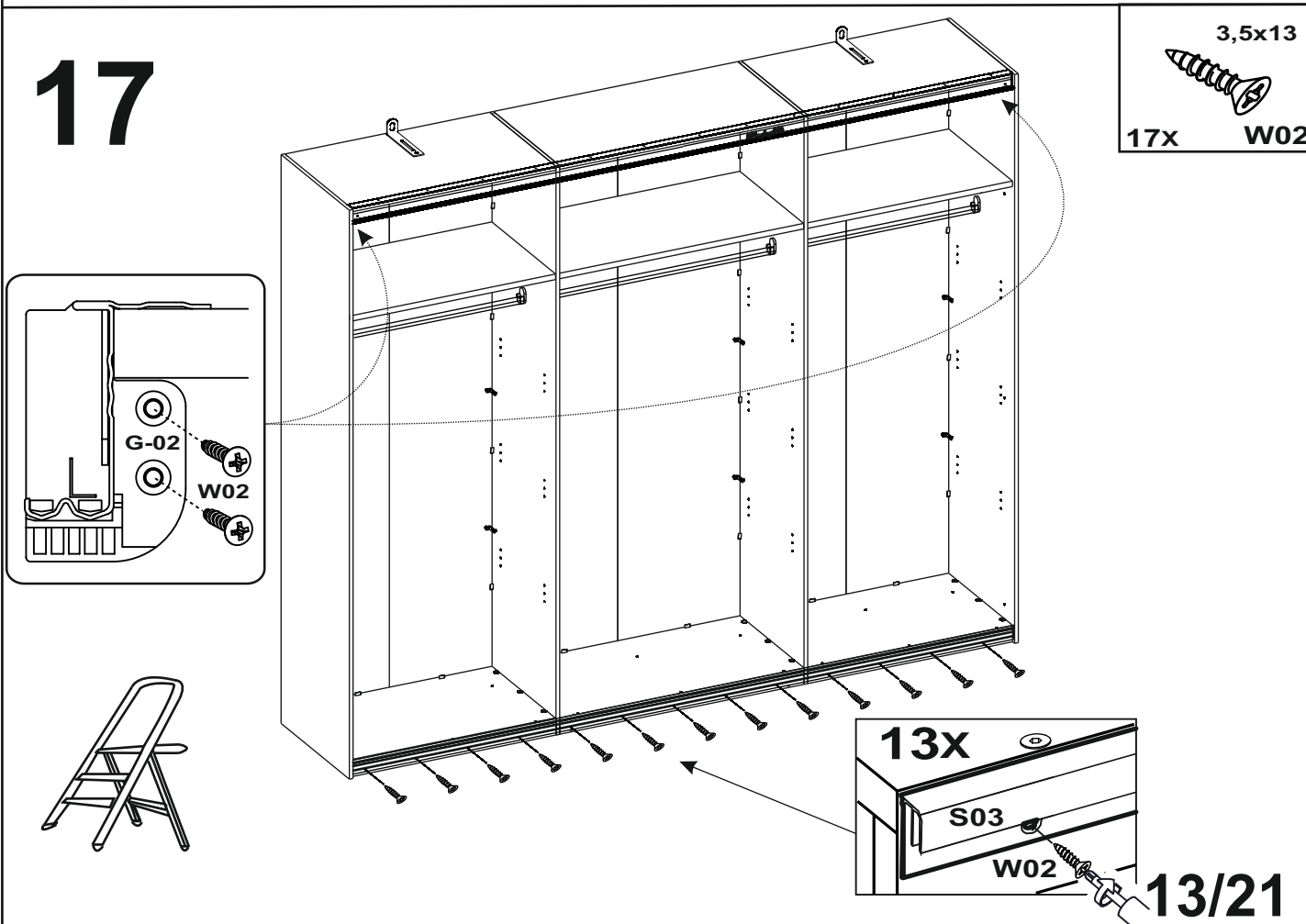


S10


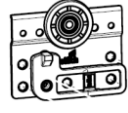

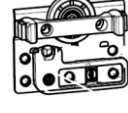
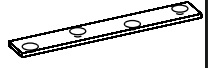
## 16




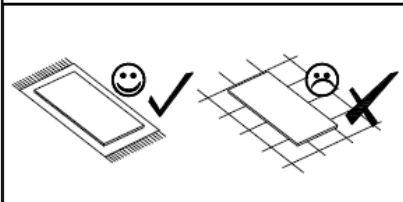
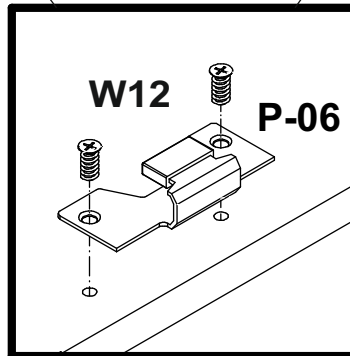
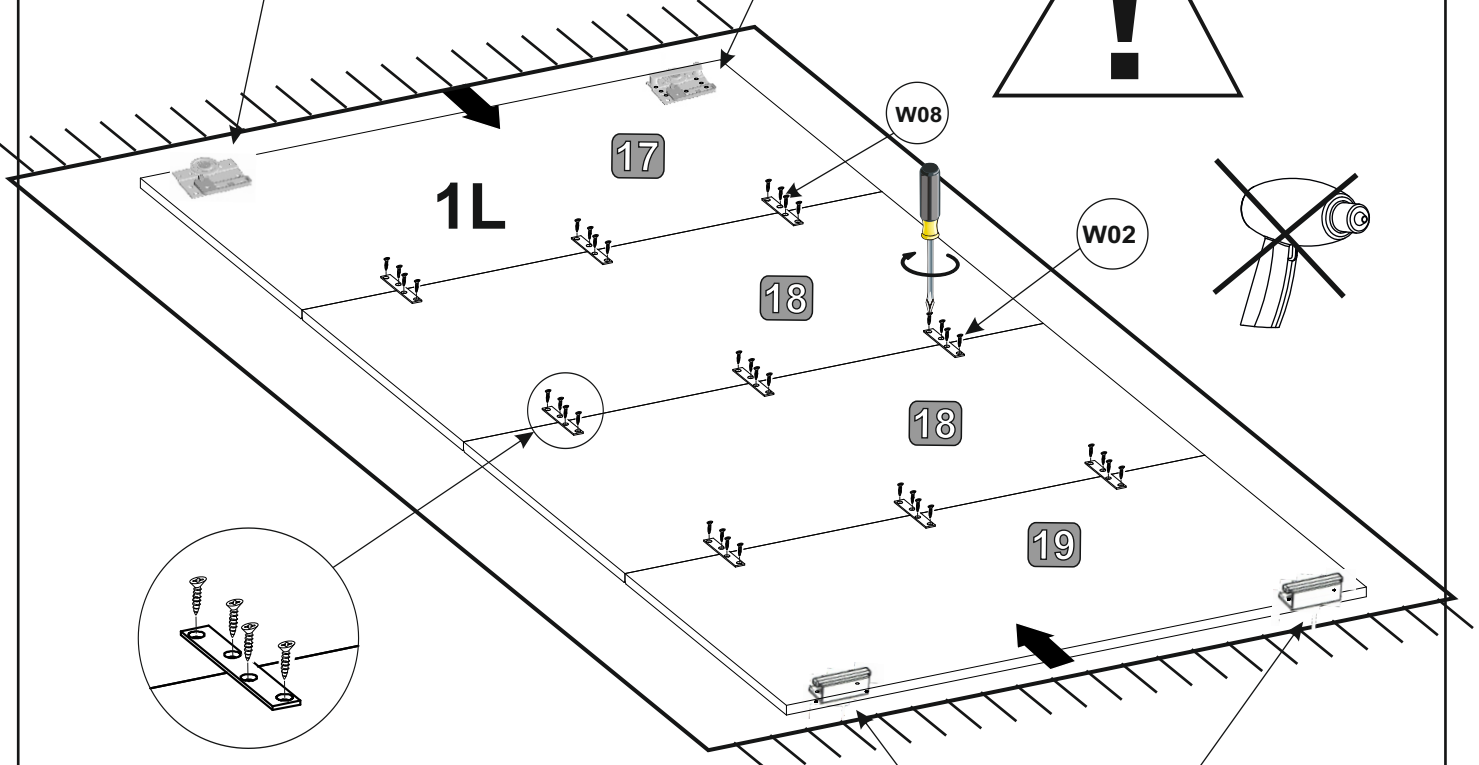
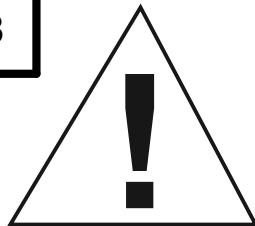
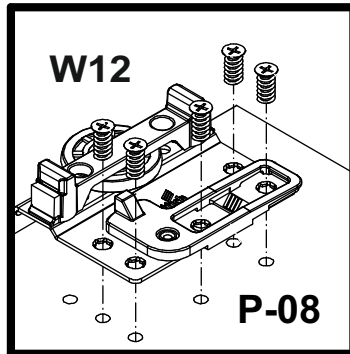
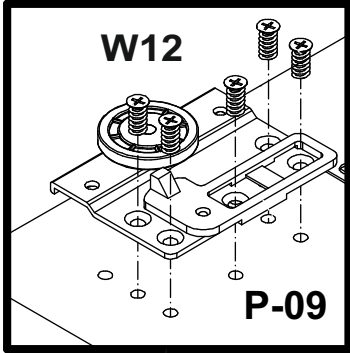
## 17



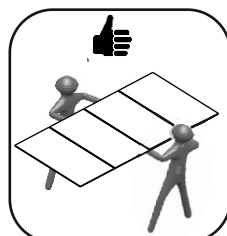
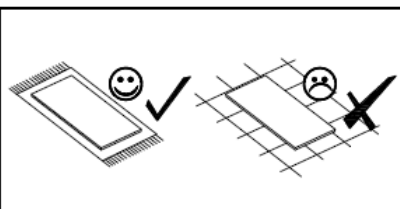
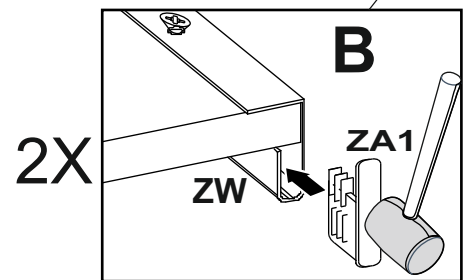
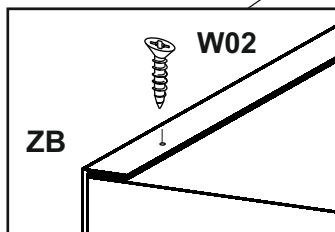
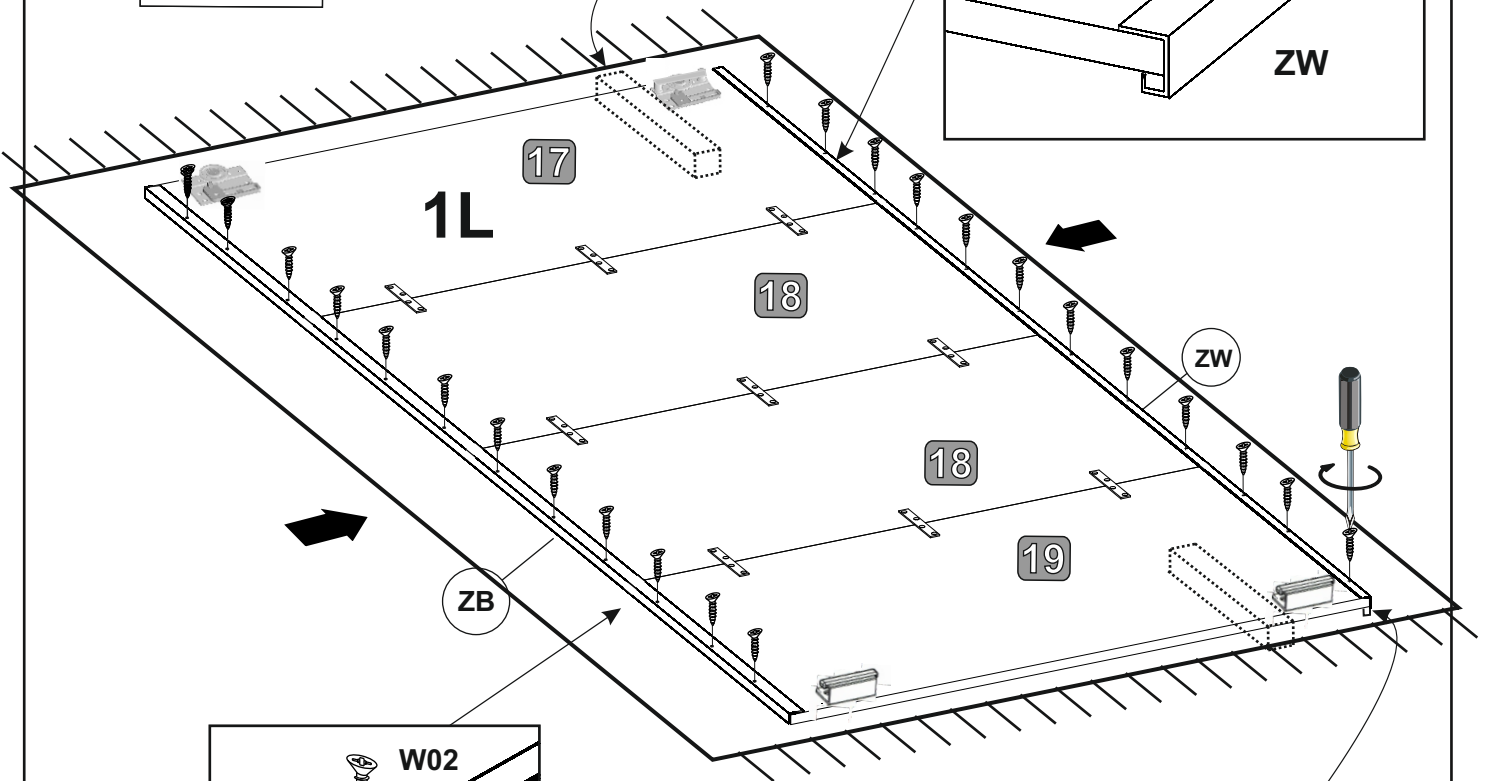
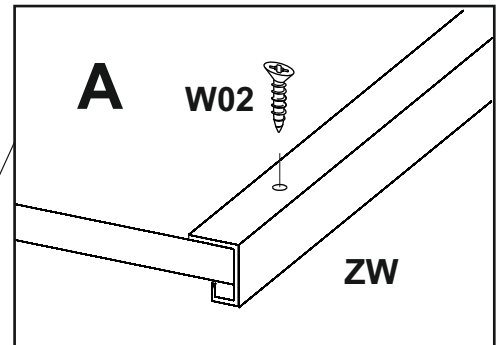
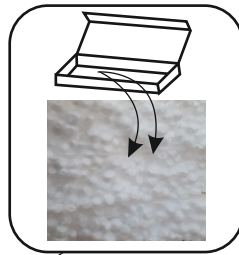
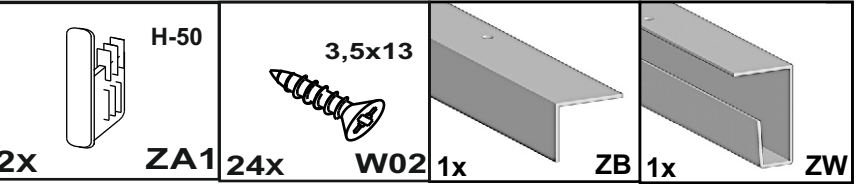
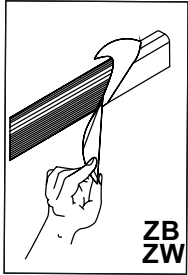
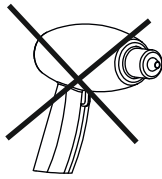
## 18

 6x11	 P-09	 P-06	 P-08	 W08
14x	1x	2x	1x	9x

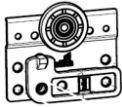


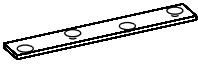
 3,5x13
36x

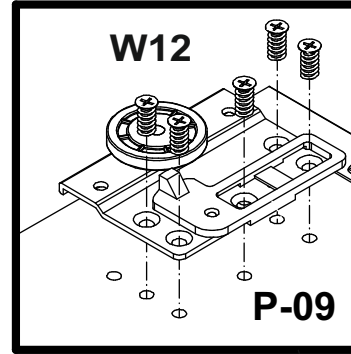




# 19

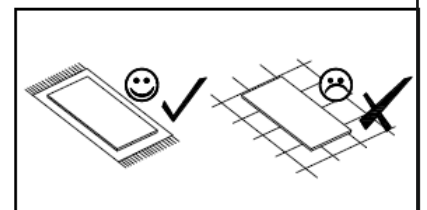
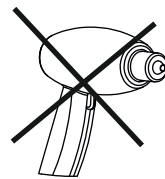
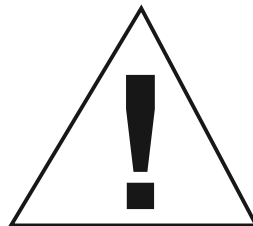
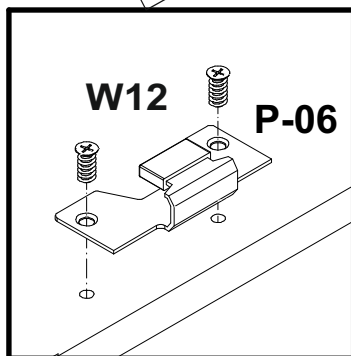
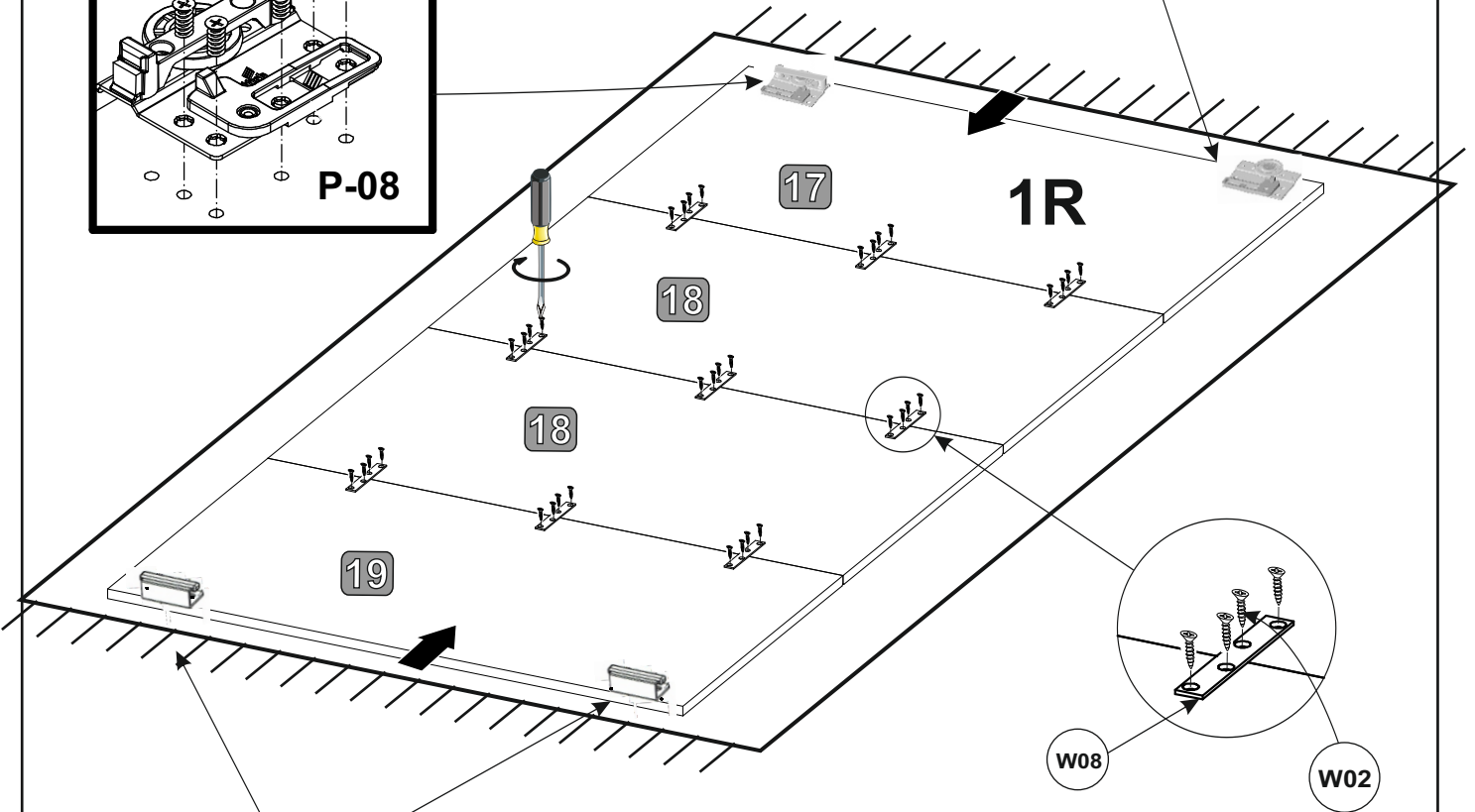
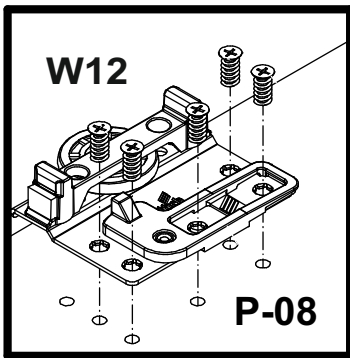


# 20

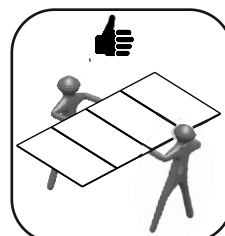
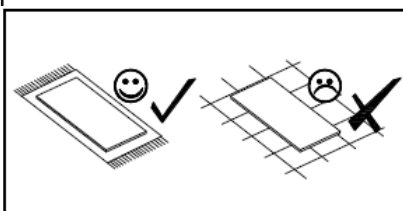
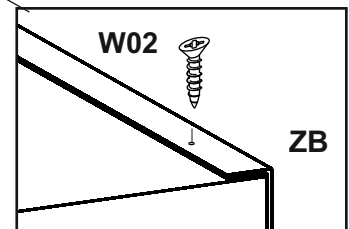
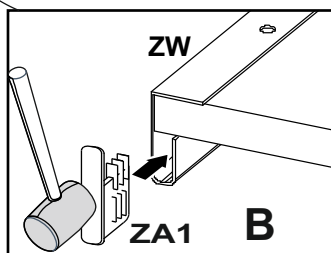
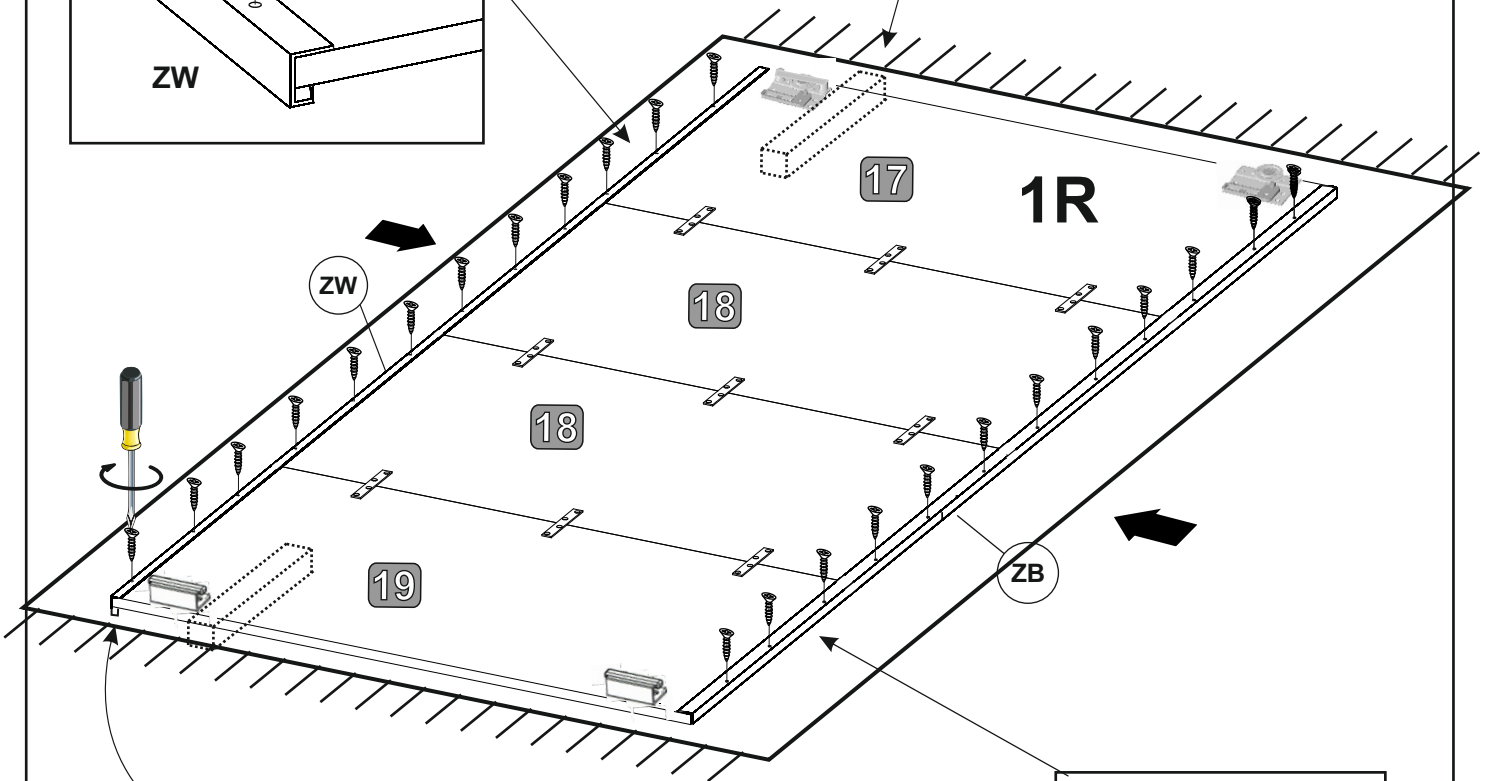
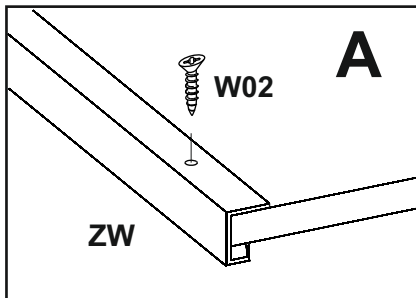
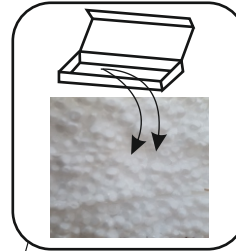
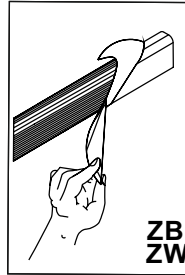
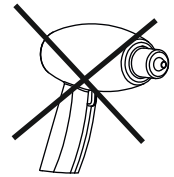
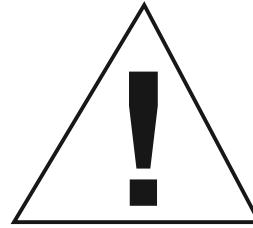
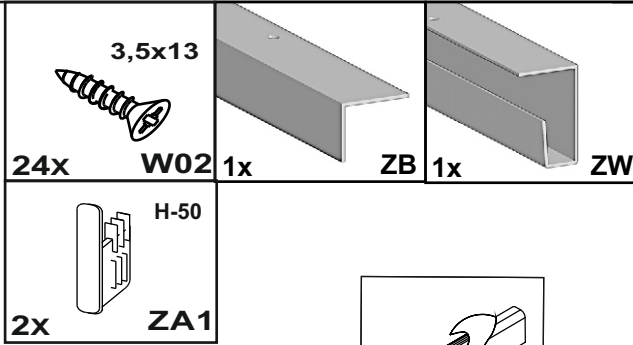
 1x P-09	 2x P-06	 1x P-08	 9x W08
--	---	--	---



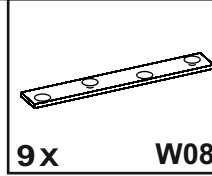
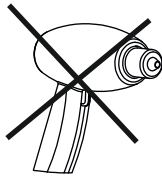
 3,5x13 36x W02	 6x11 14x W12
--	--



# 21

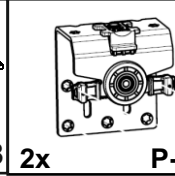


# 22



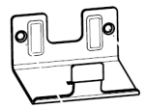
9x

W08



2x

P-10



2x

P-07

3,5x13



36x

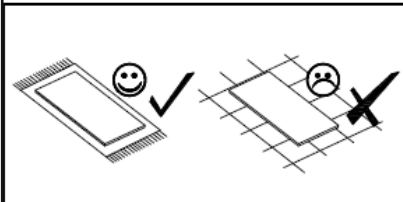
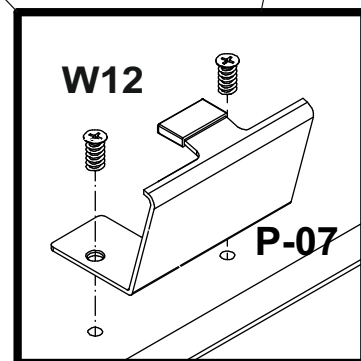
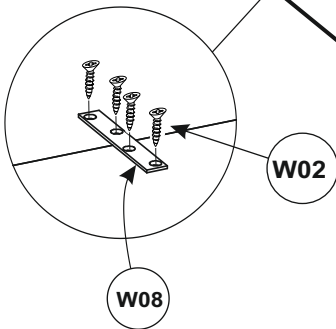
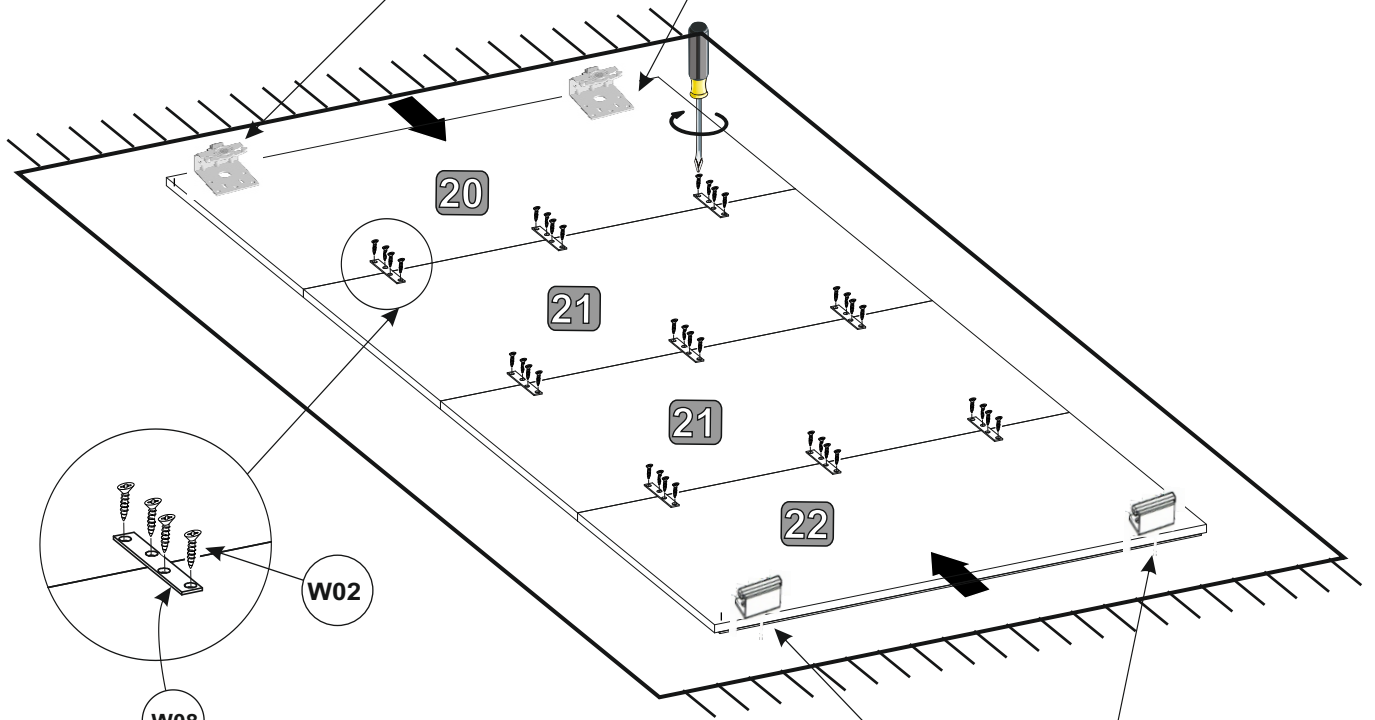
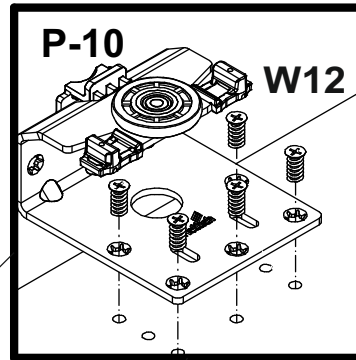
W02

6x11



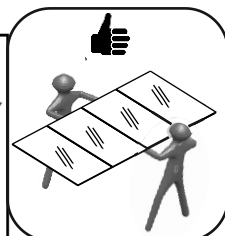
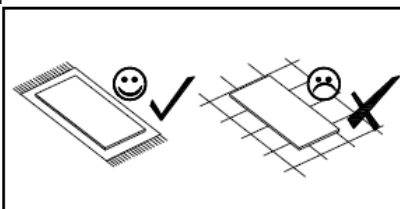
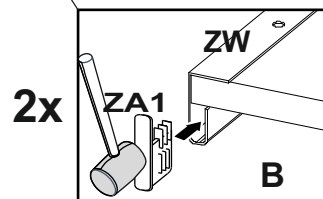
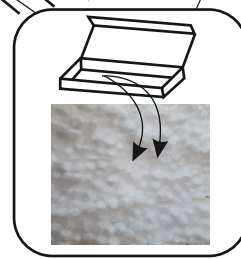
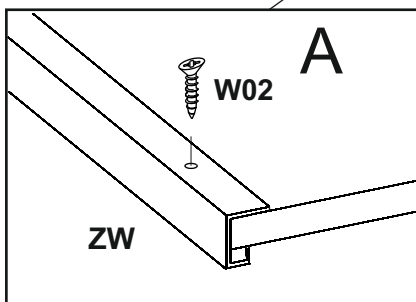
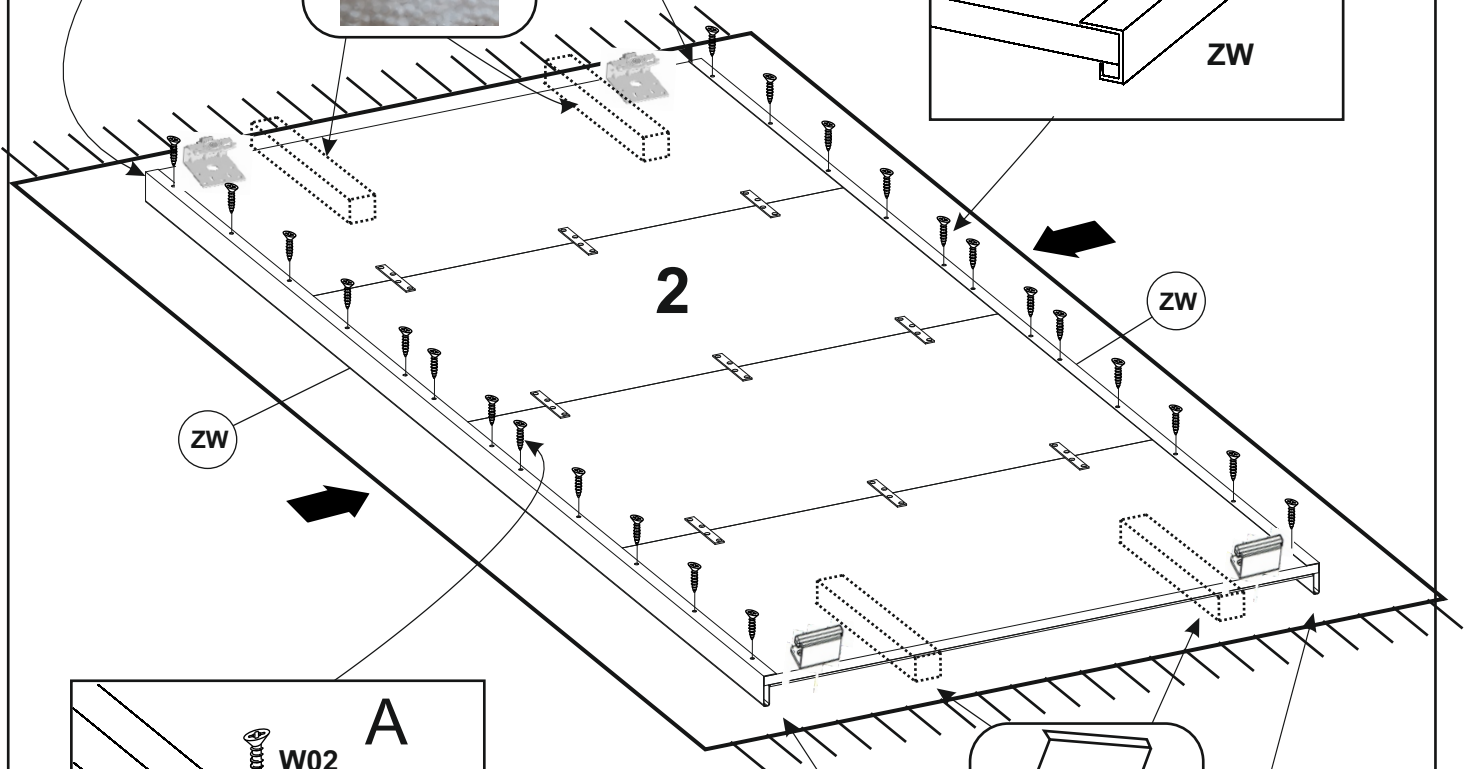
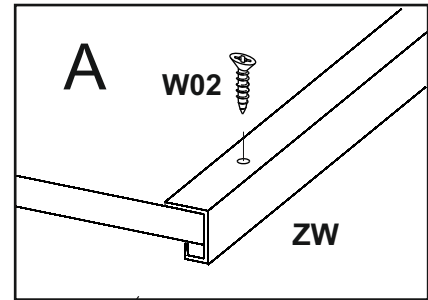
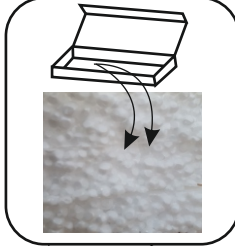
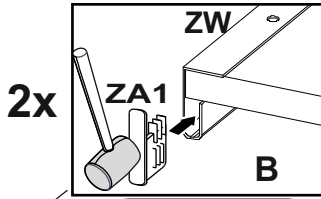
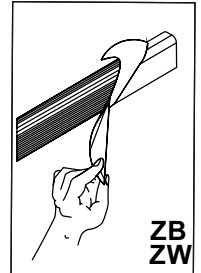
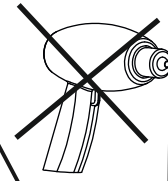
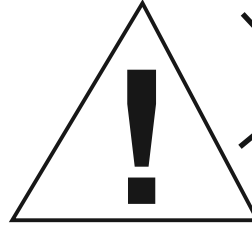
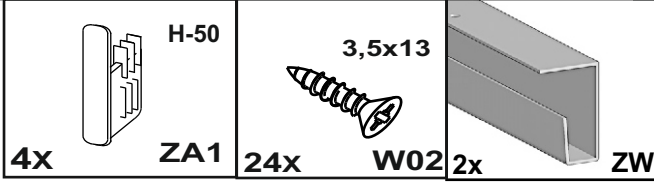
14x

W12

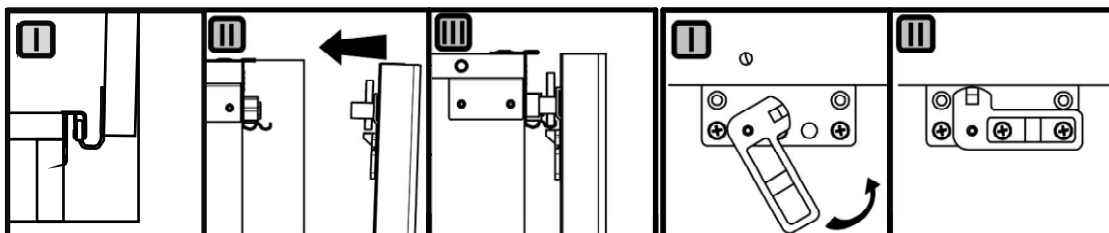
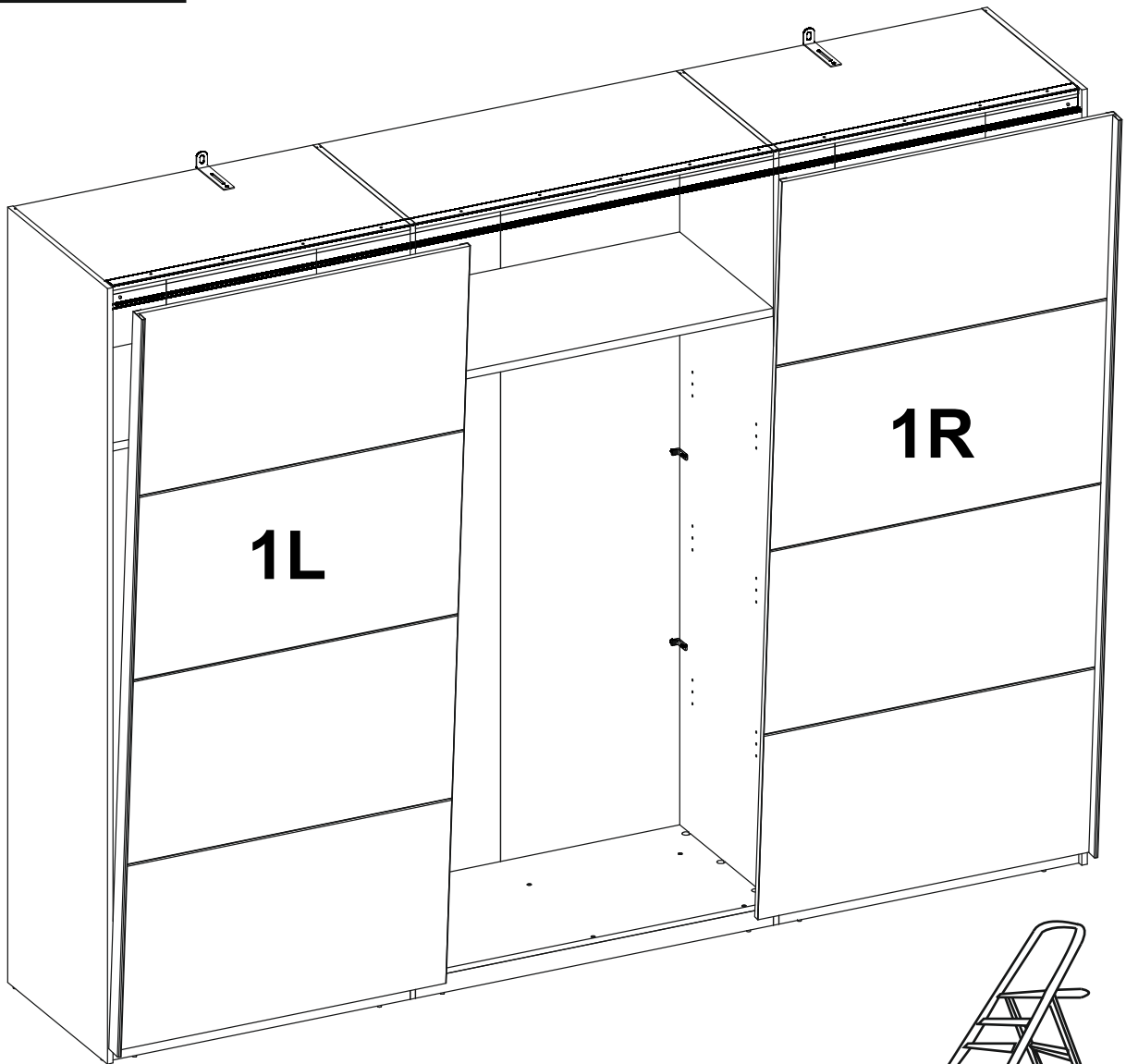
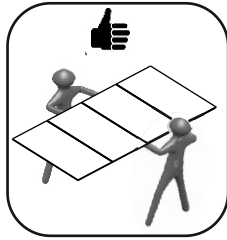
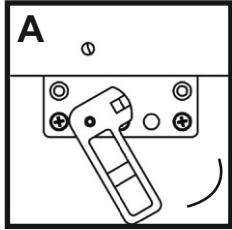




# 23



24



25

