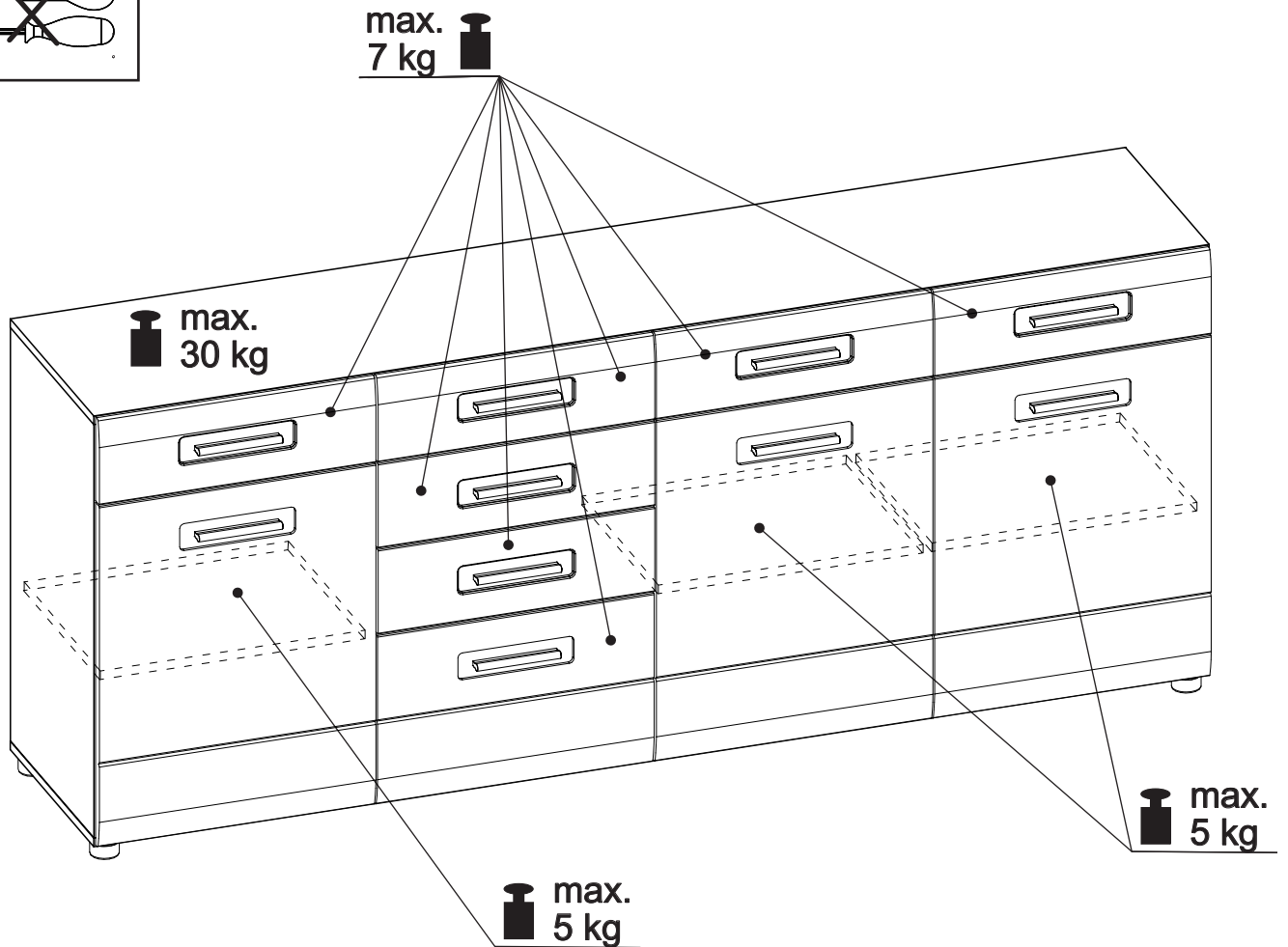
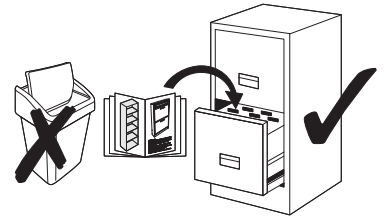
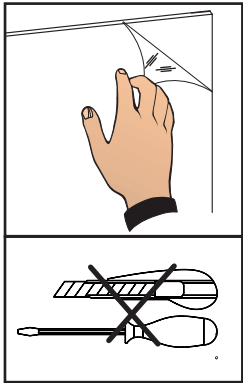
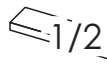
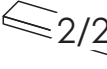
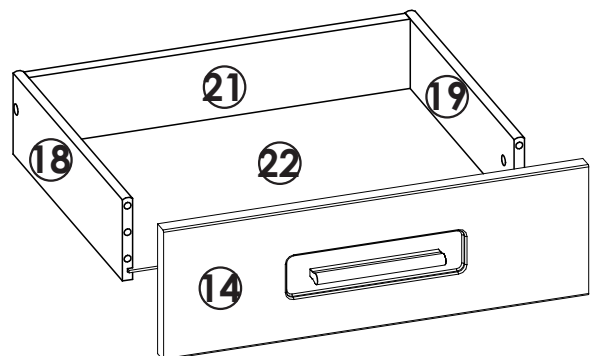
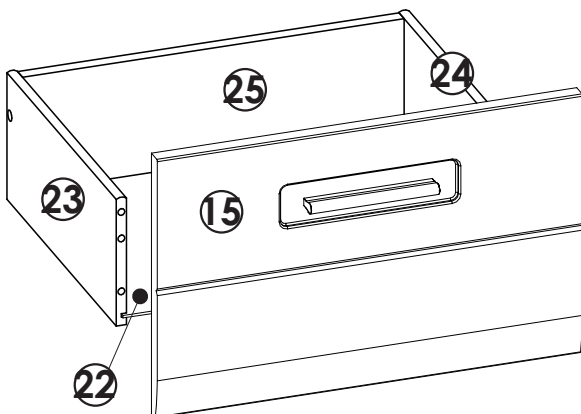
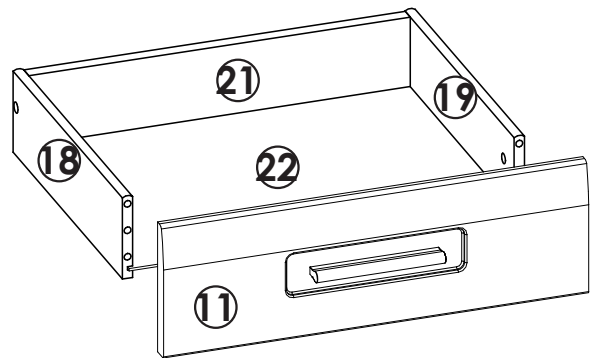
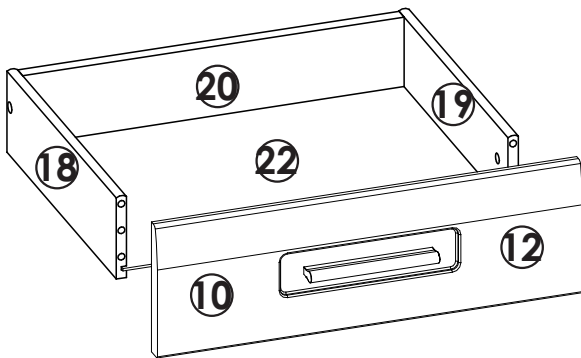
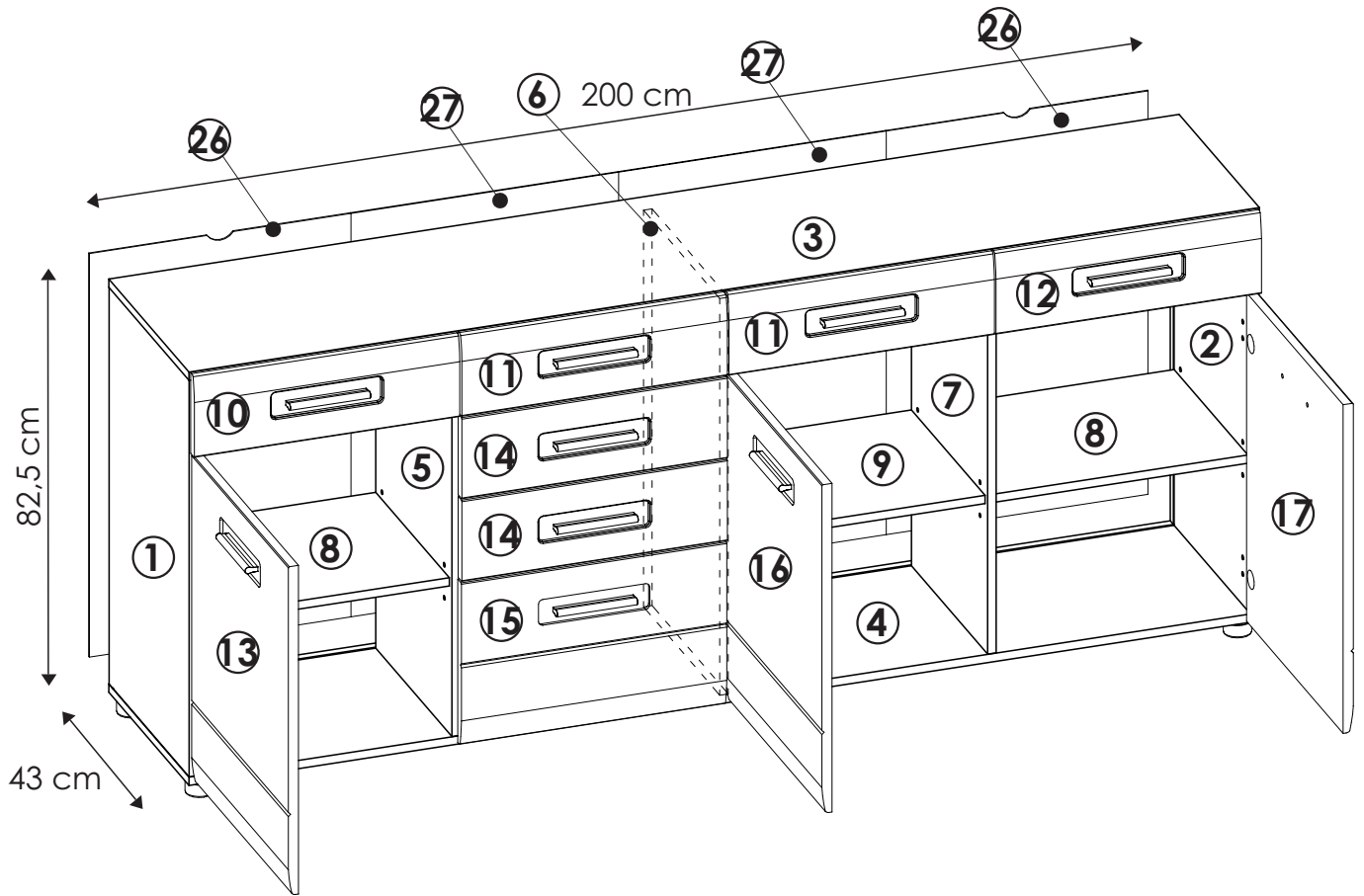


AVENSIS 18

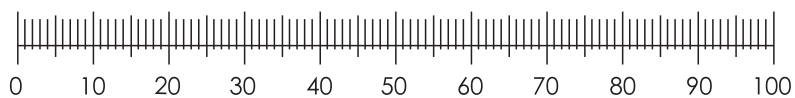
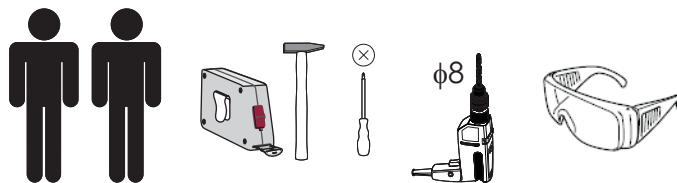
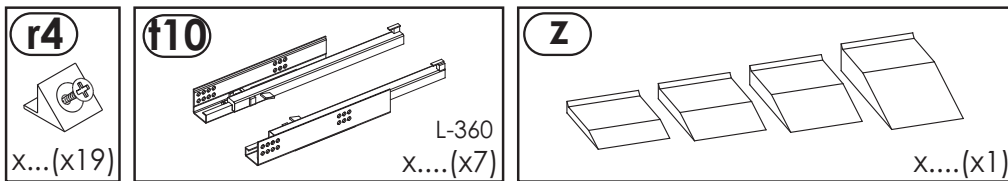
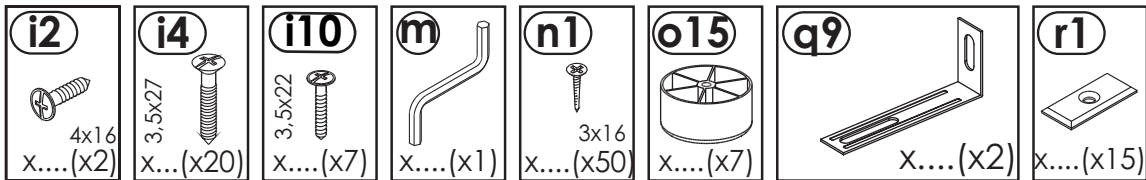
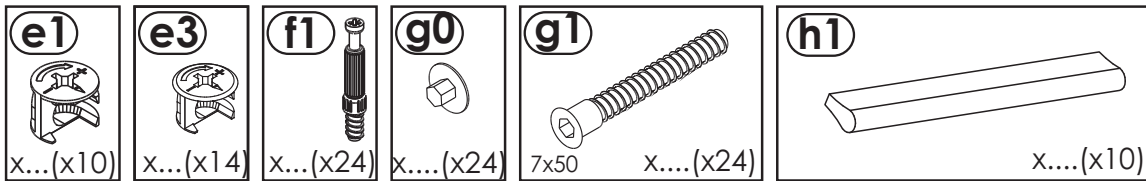
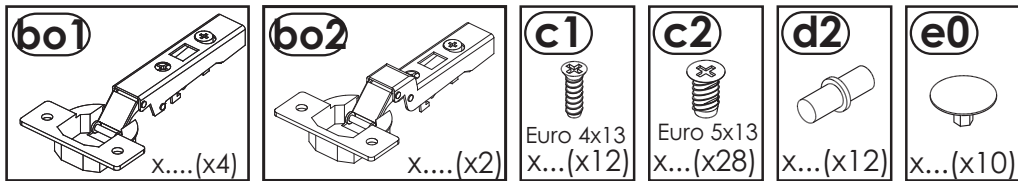
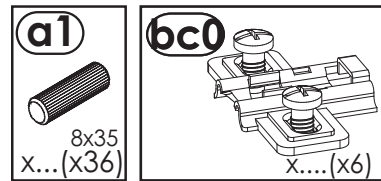


- | | | | | | |
|--------|--------|--------|--------|--------|--|
| ① - C3 | ⑥ - C1 | ⑪ - C2 | ⑯ - C2 | ⑳ - C1 | ㉔ - C2 |
| ② - C3 | ⑦ - C1 | ⑫ - C2 | ⑰ - C2 | ㉑ - C1 | ㉕ - C2 |
| ③ - C3 | ⑧ - C1 | ⑬ - C2 | ⑱ - C1 | ㉒ - C1 | C1  |
| ④ - C3 | ⑨ - C1 | ⑭ - C2 | ⑲ - C1 | ㉓ - C1 | |
| ⑤ - C1 | ⑩ - C2 | ⑮ - C2 | ㉀ - C1 | ㉖ - C1 | C2  |

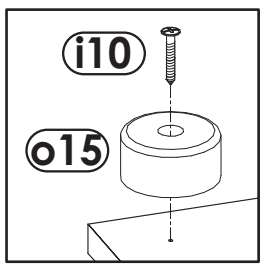
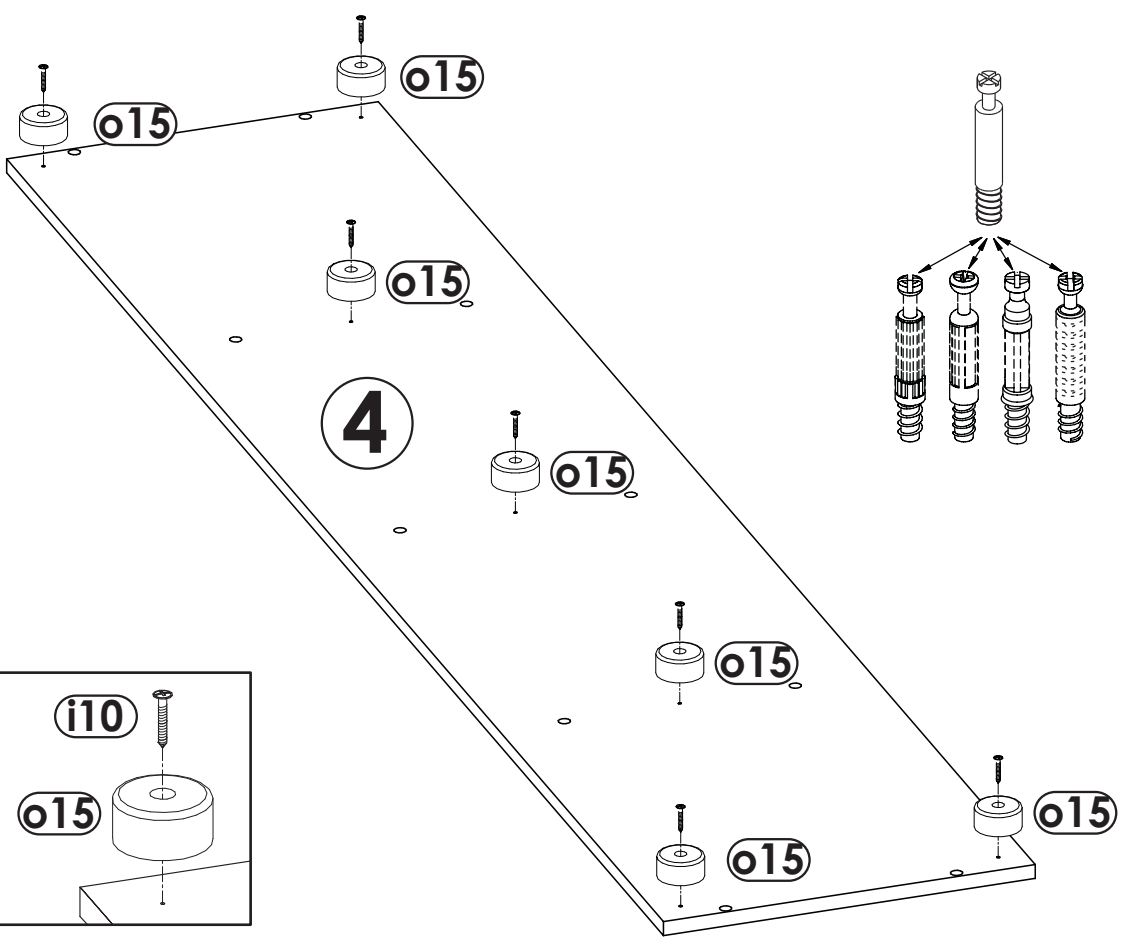
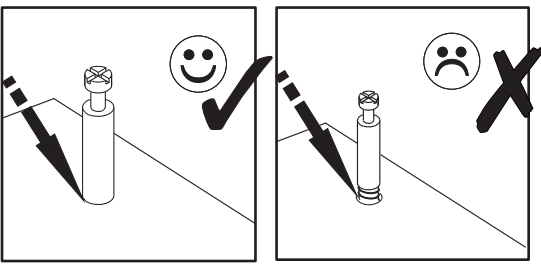
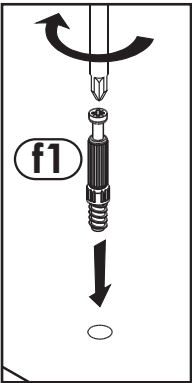
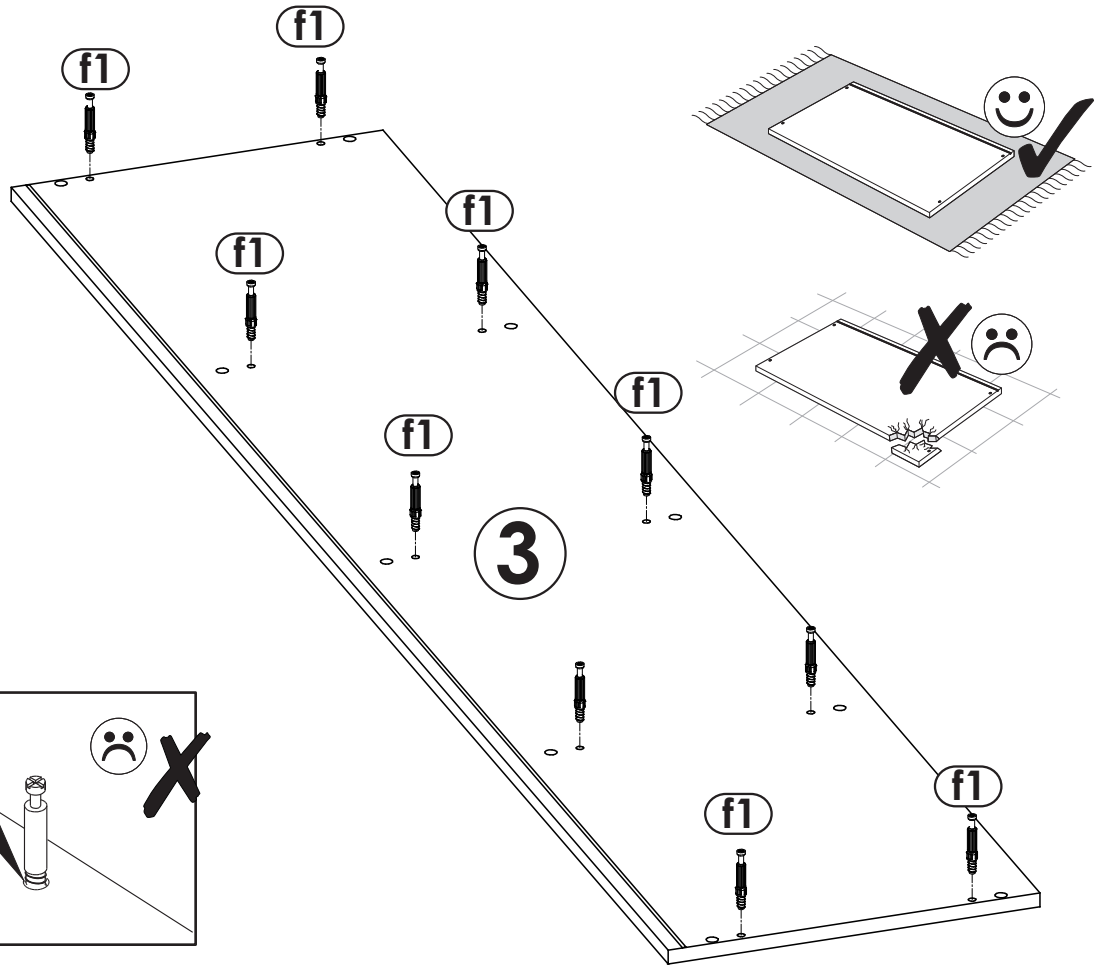
AVENSIS 18



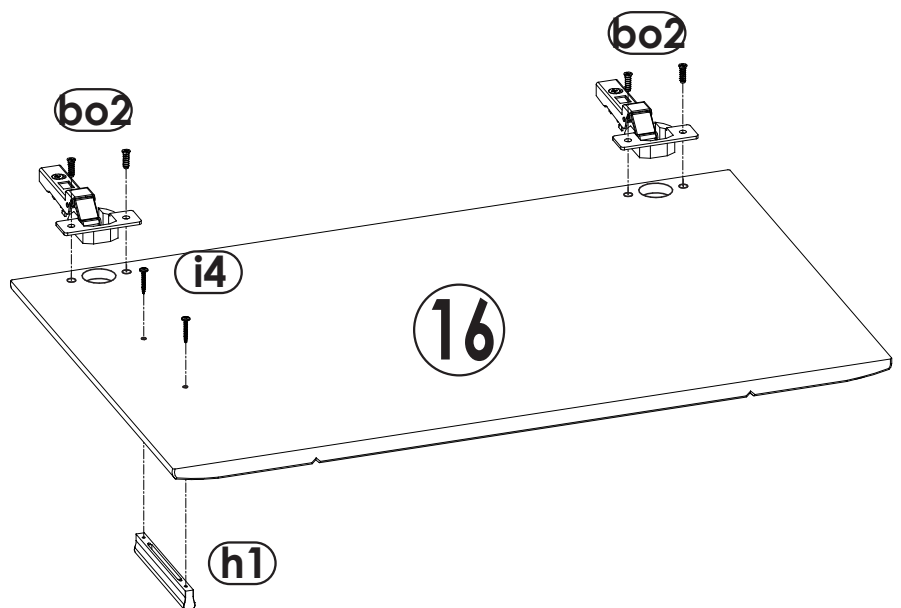
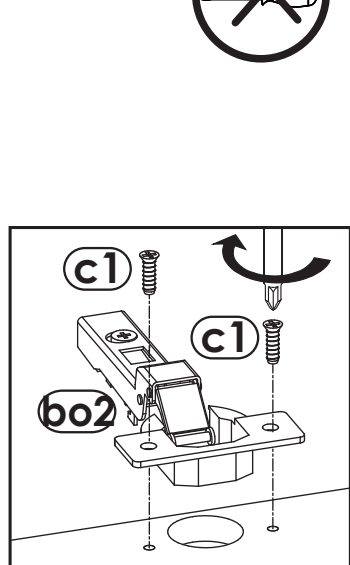
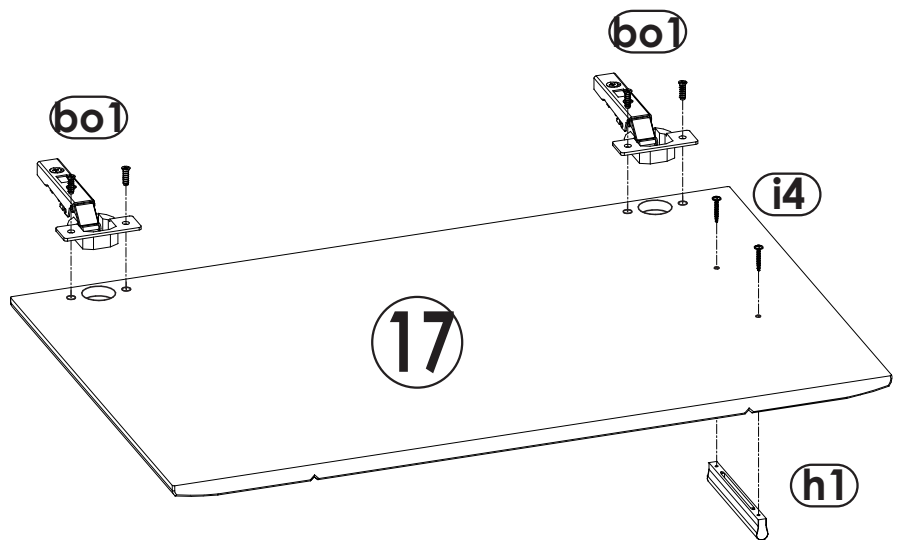
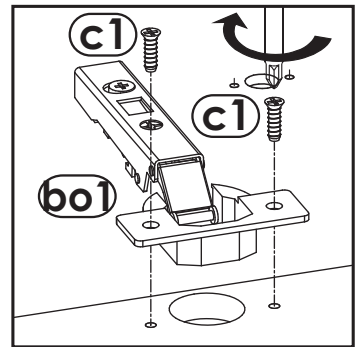
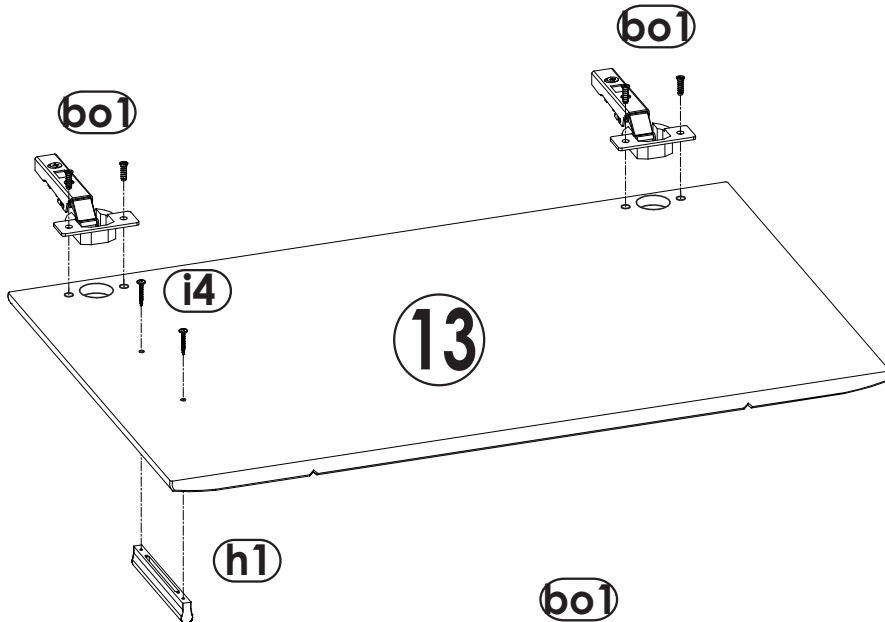
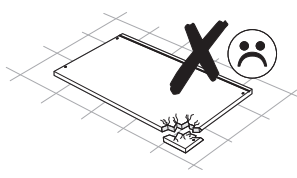
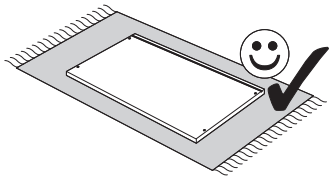
AVENSIS 18



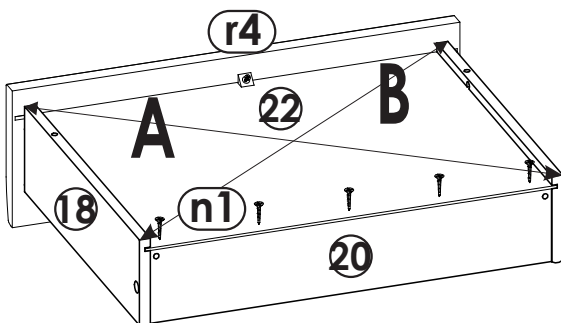
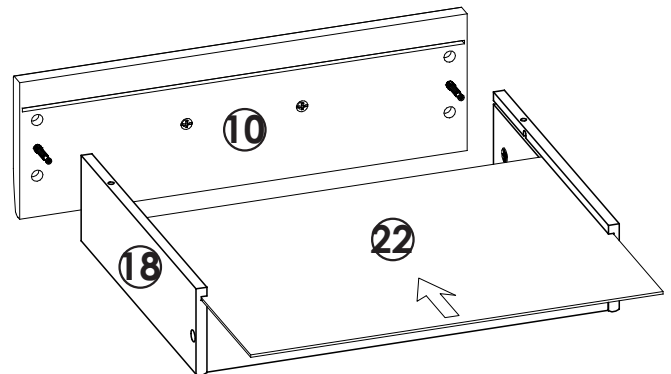
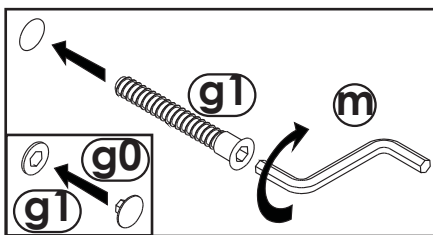
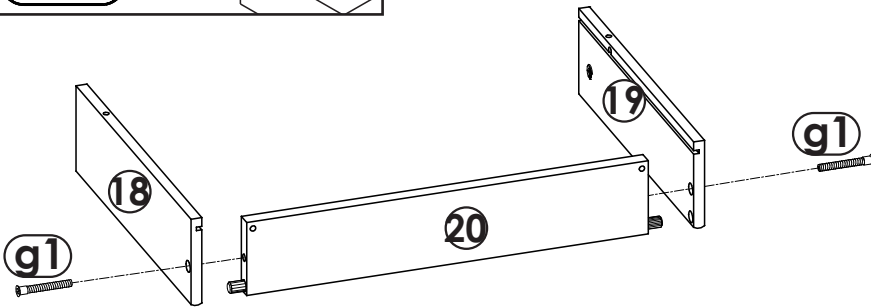
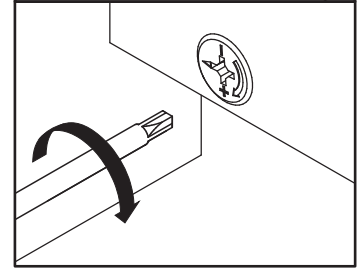
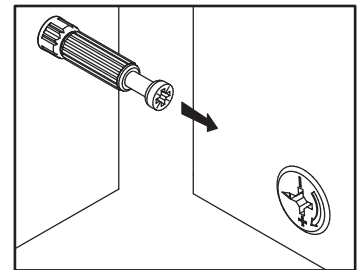
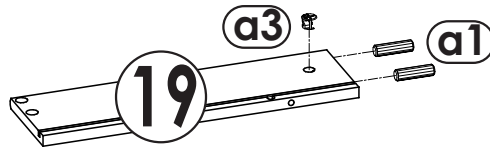
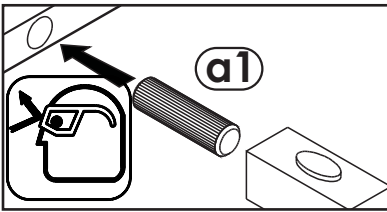
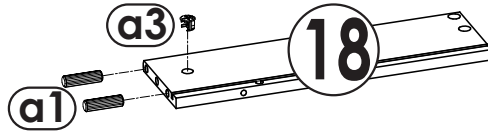
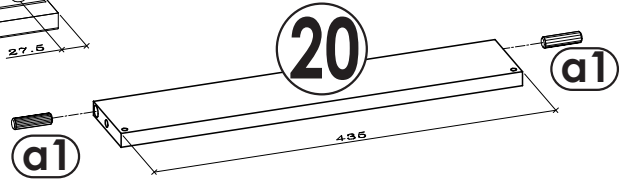
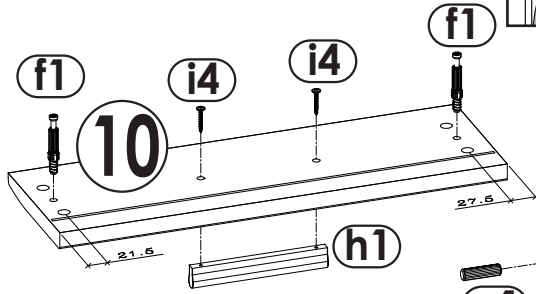
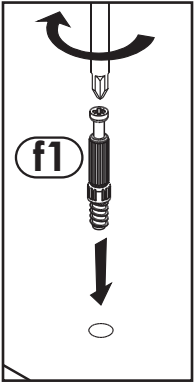
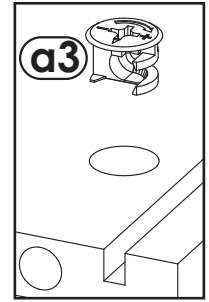
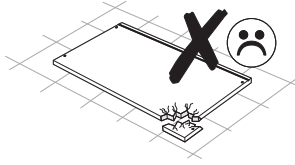
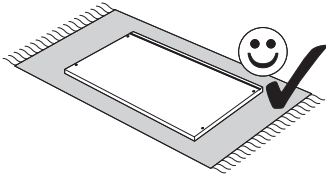
3



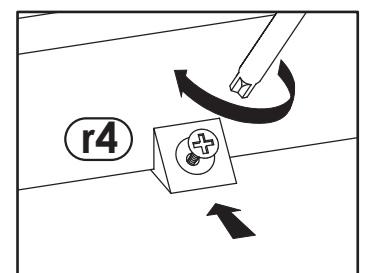
4



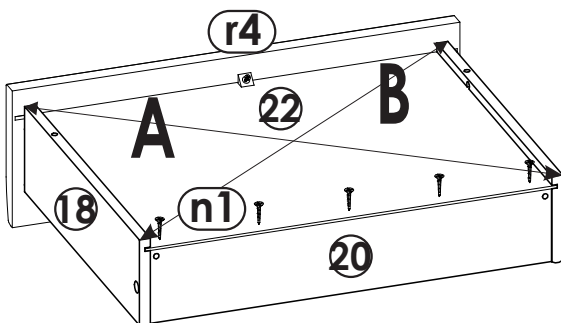
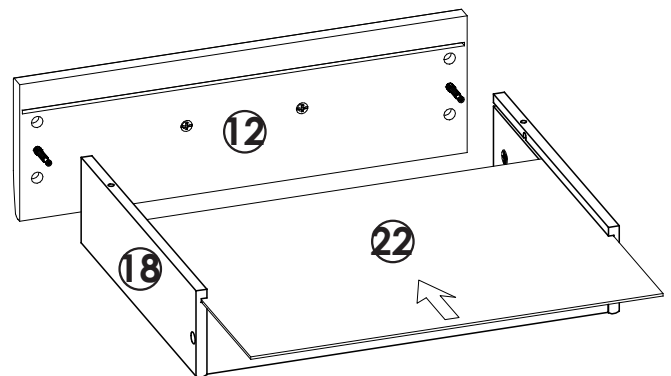
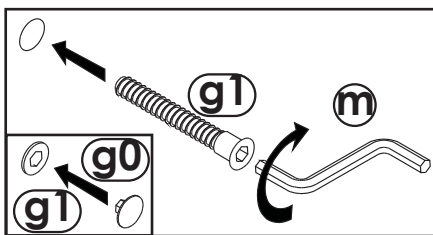
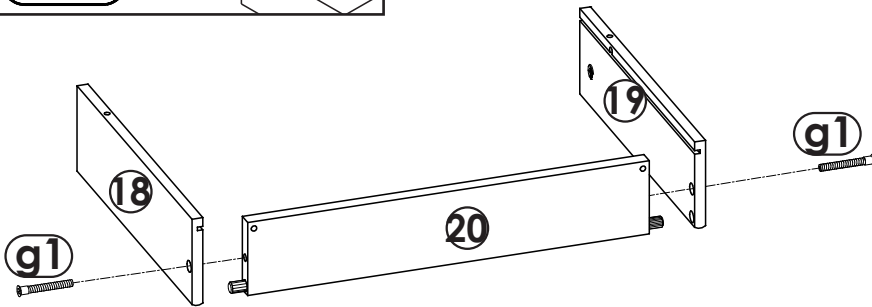
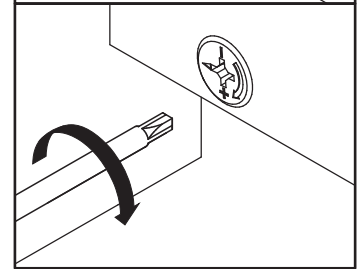
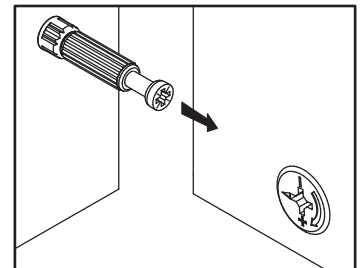
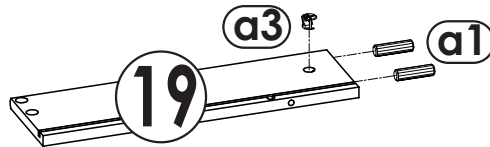
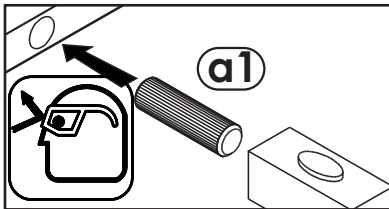
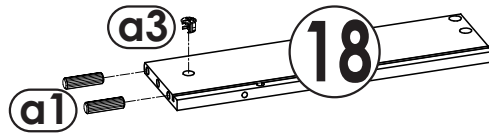
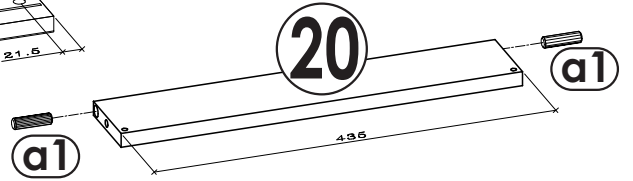
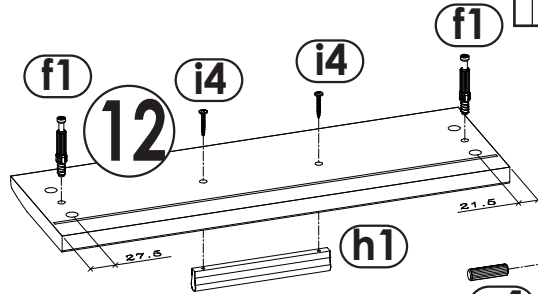
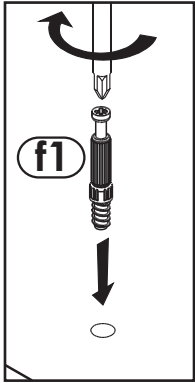
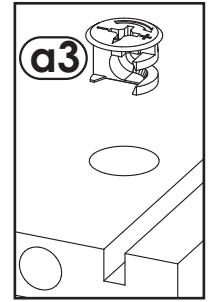
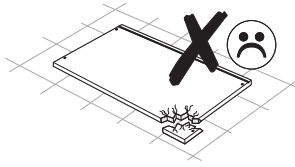
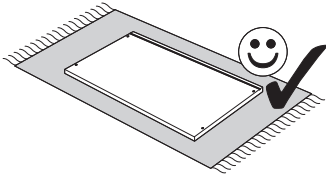
5



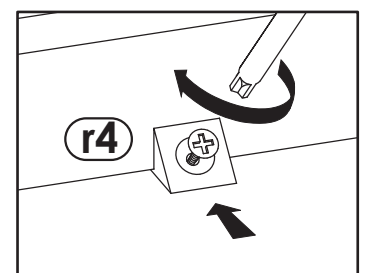
A=B



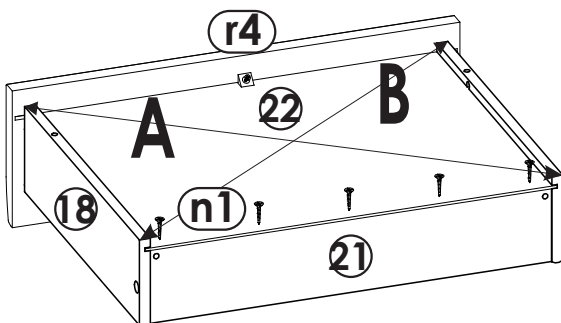
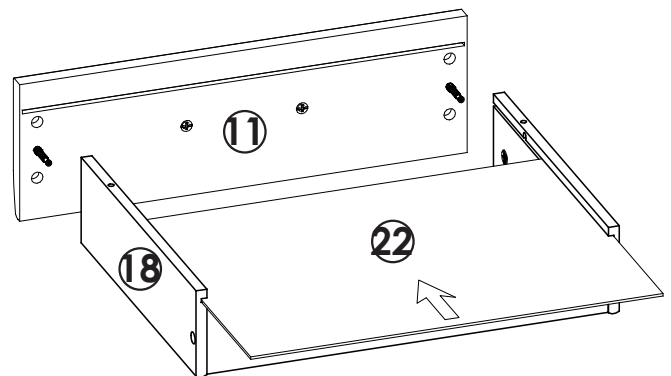
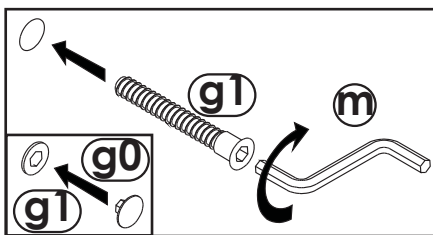
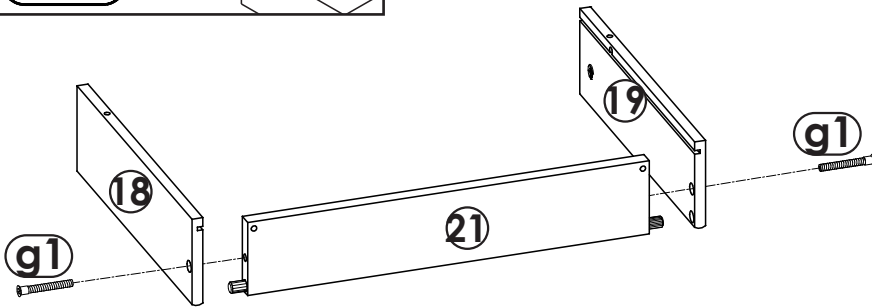
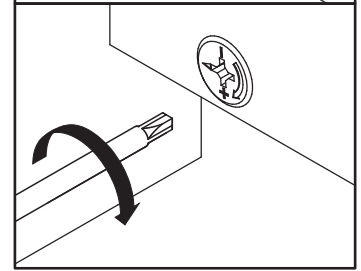
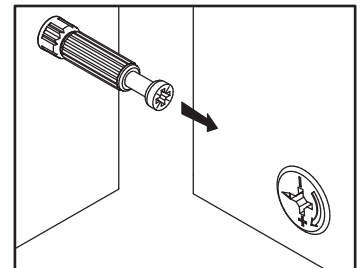
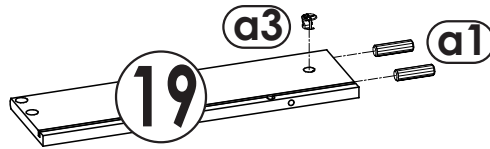
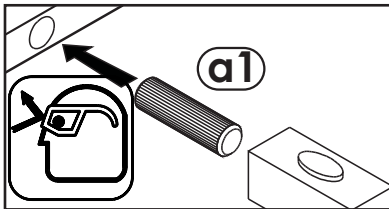
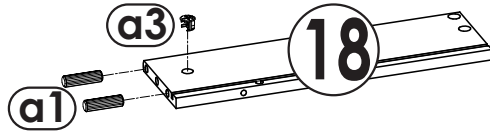
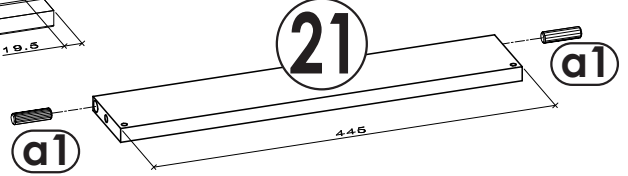
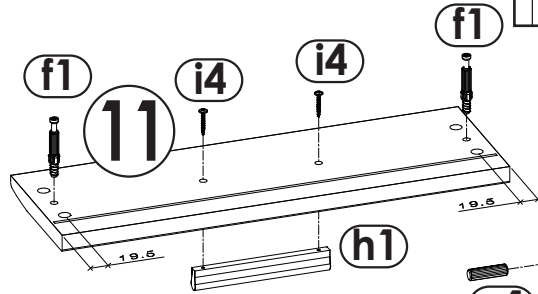
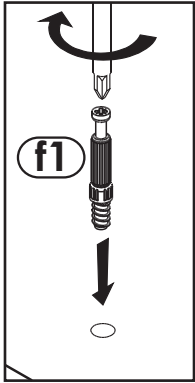
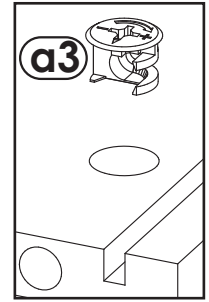
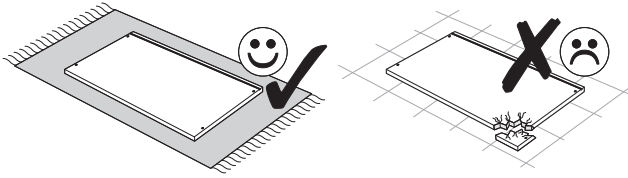
6



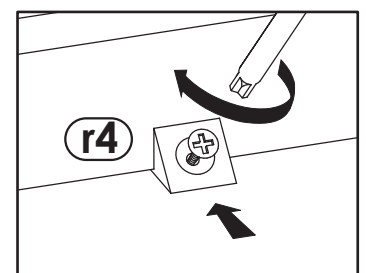
A=B



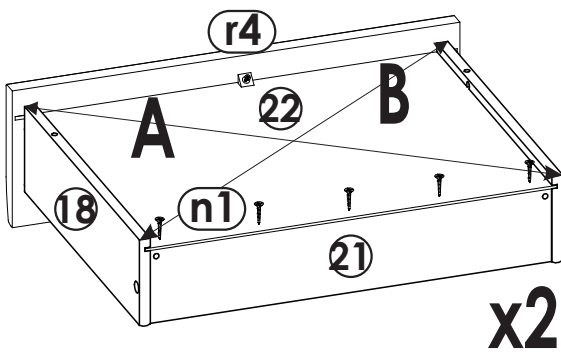
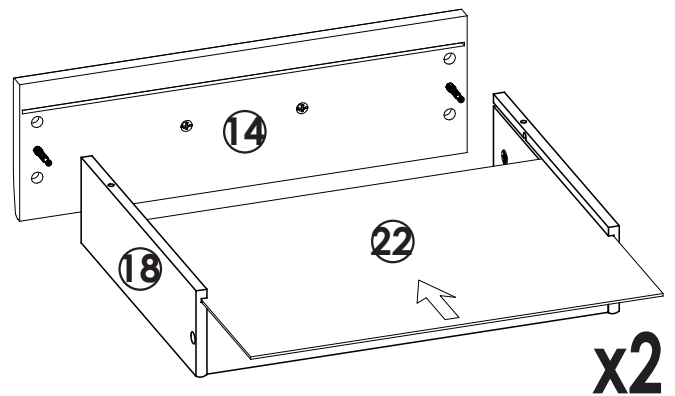
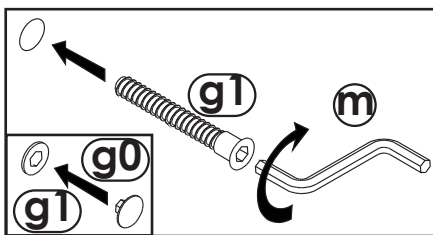
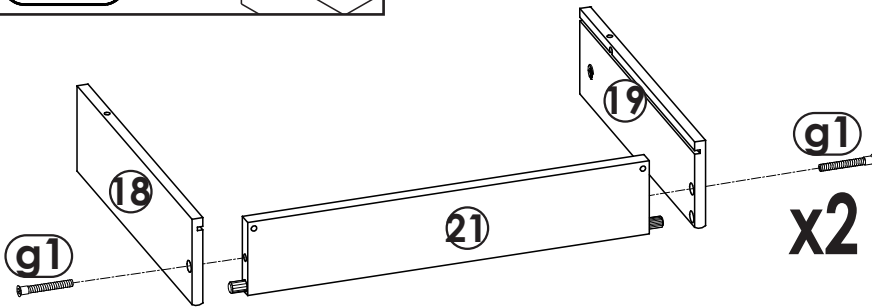
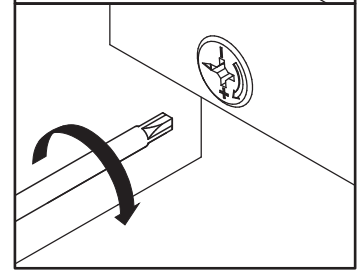
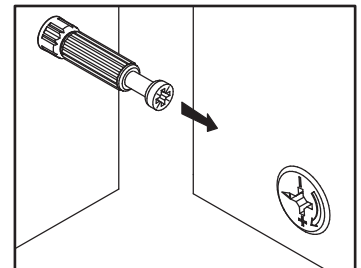
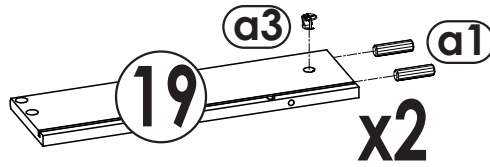
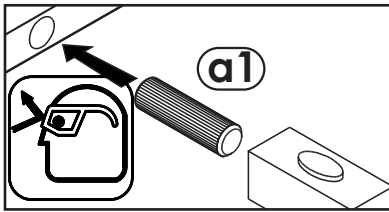
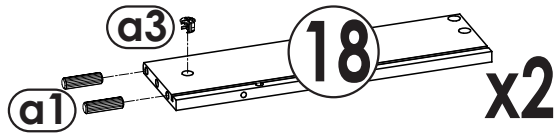
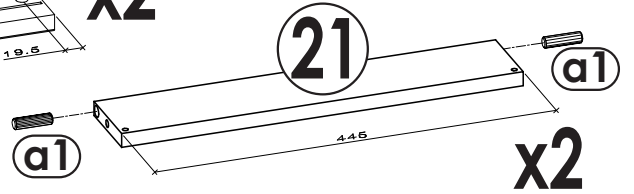
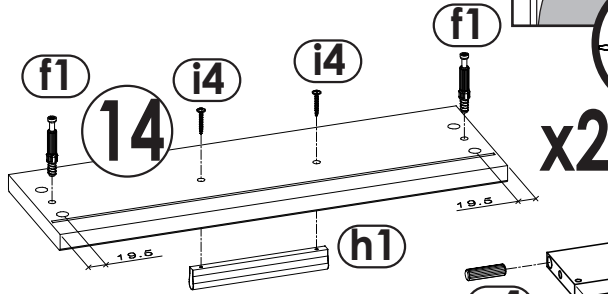
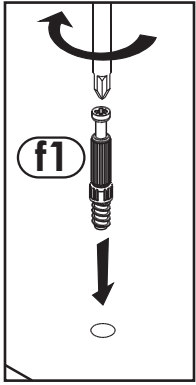
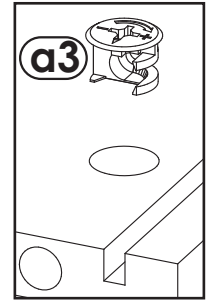
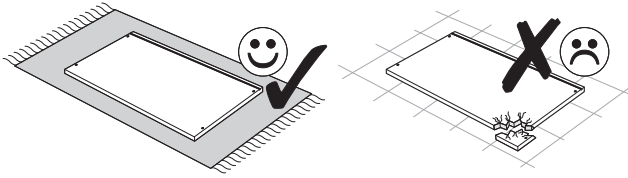
7



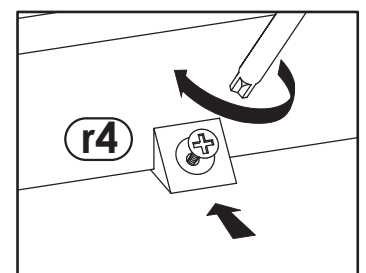
A=B



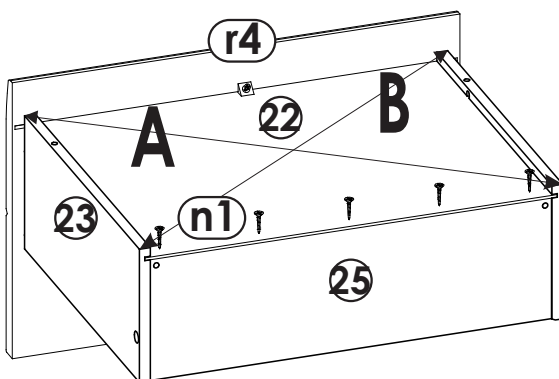
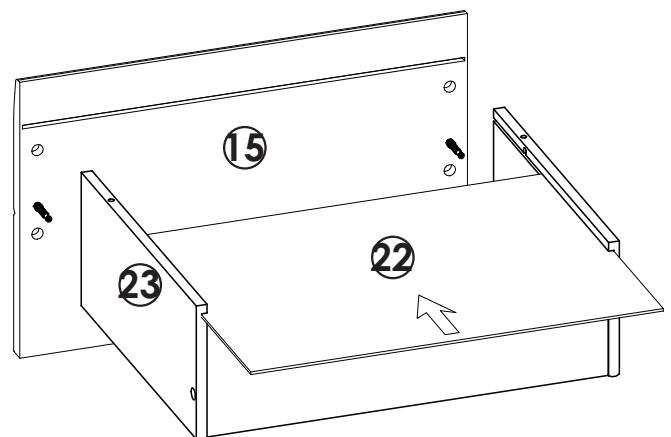
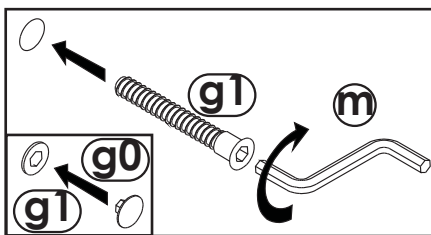
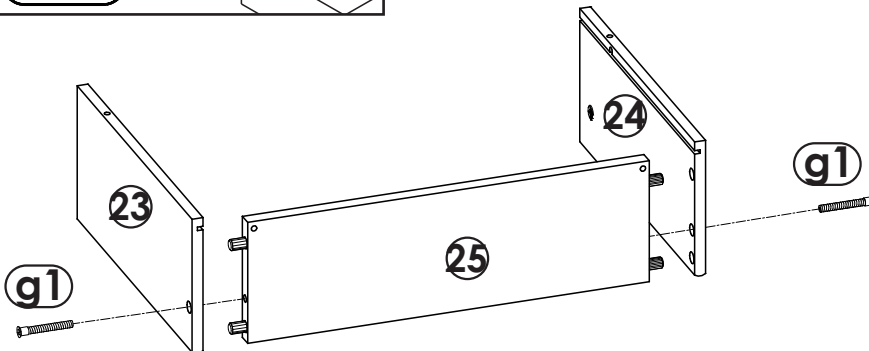
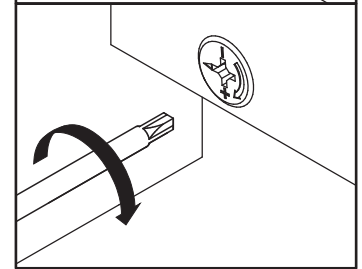
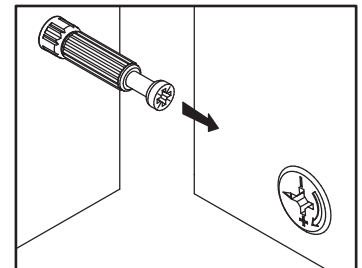
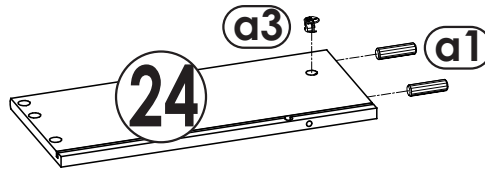
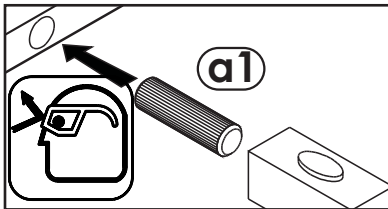
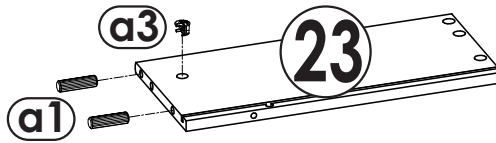
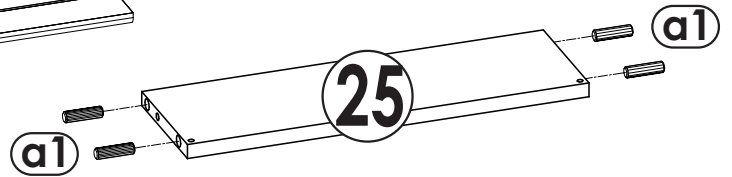
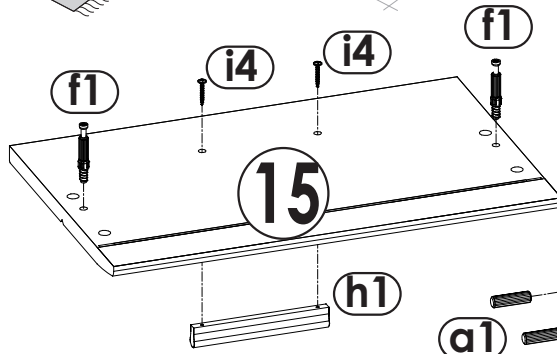
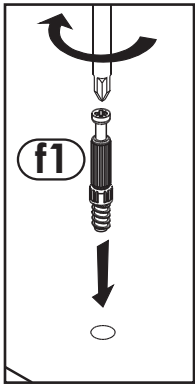
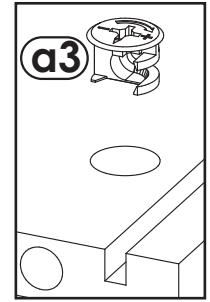
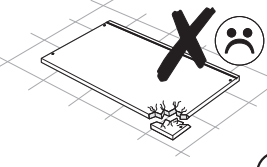
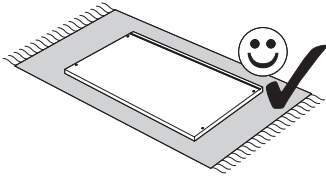
8



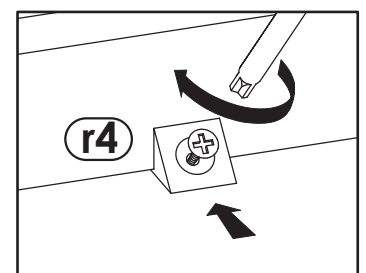
A=B



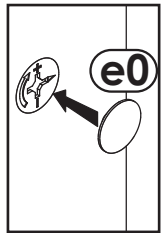
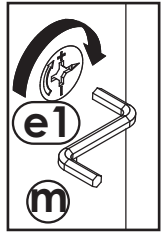
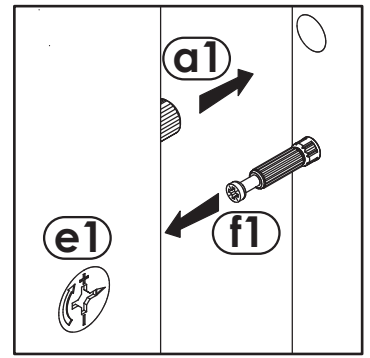
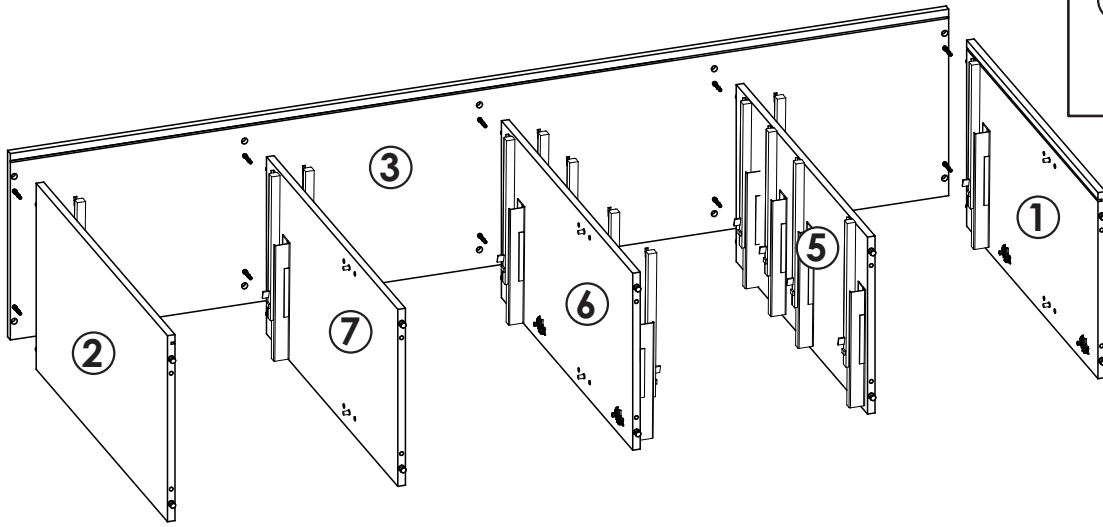
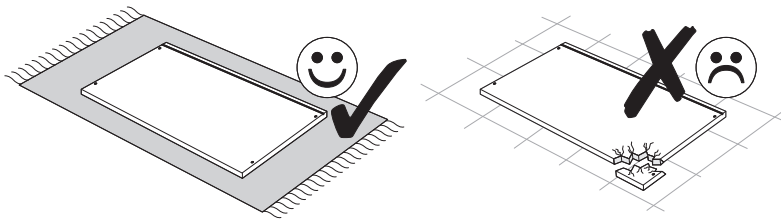
10
▼



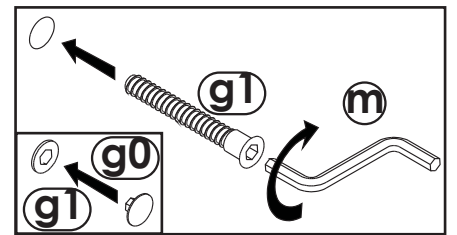
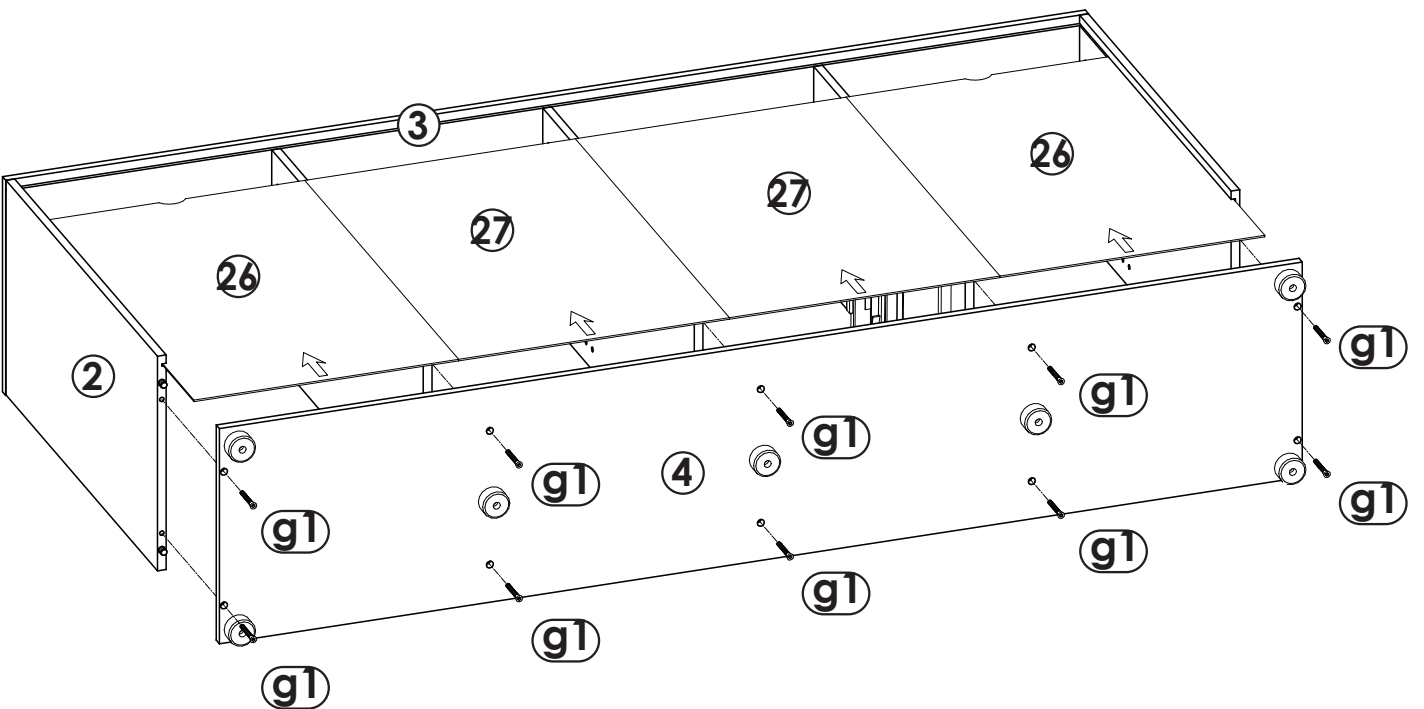
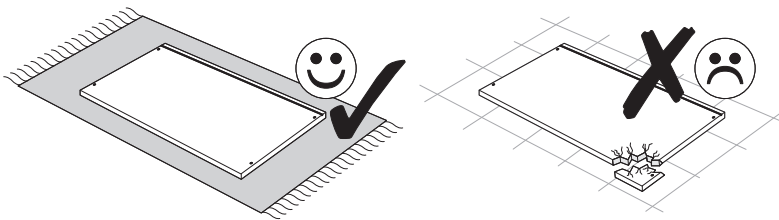
A=B



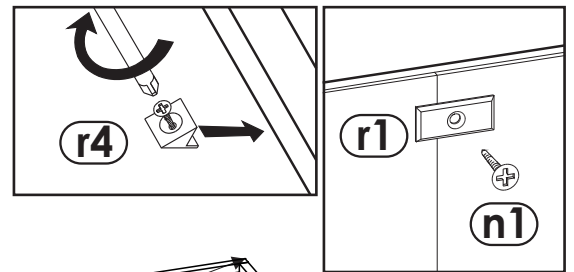
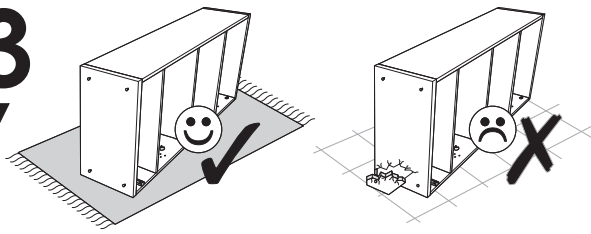
11
▼



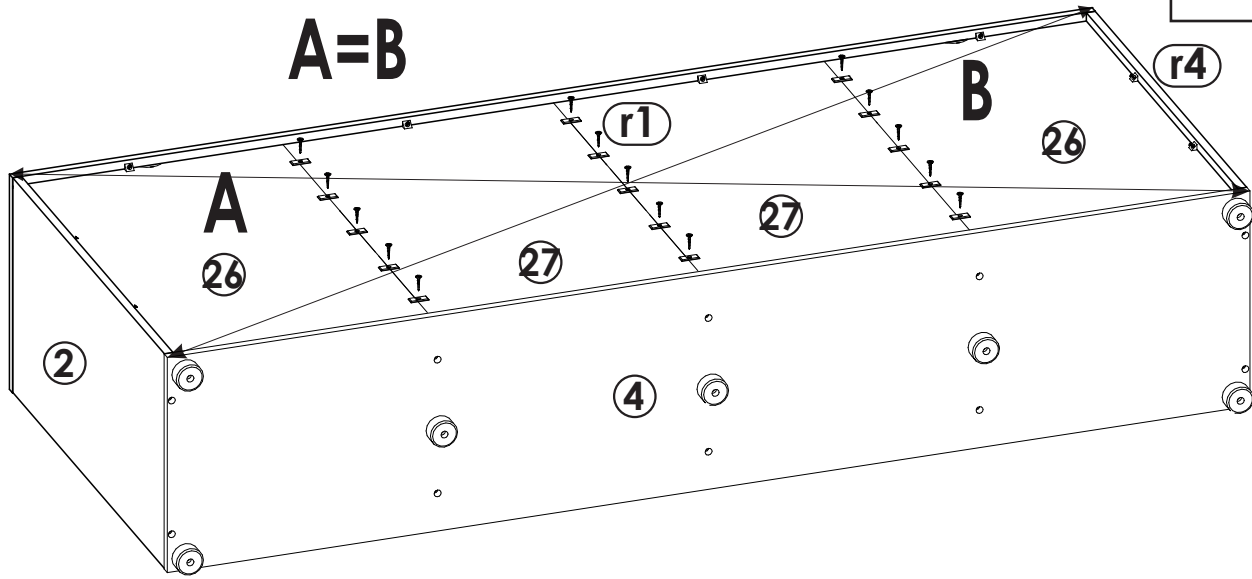
12
▼



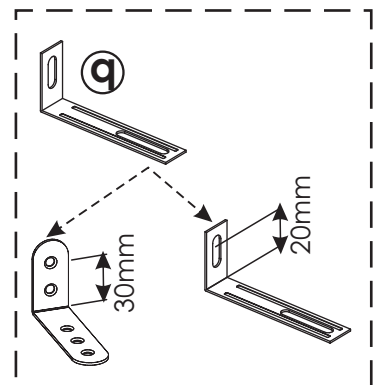
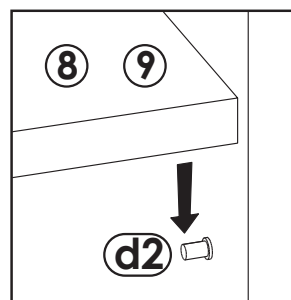
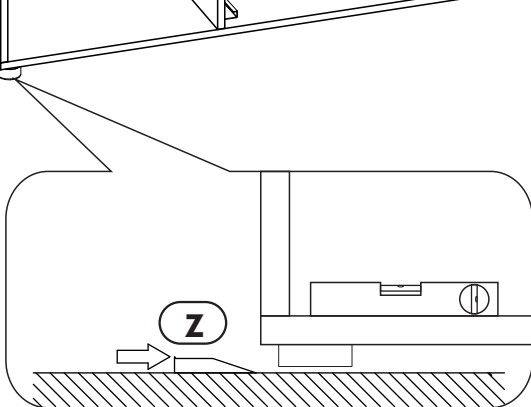
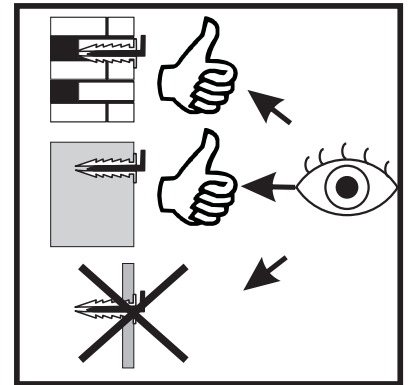
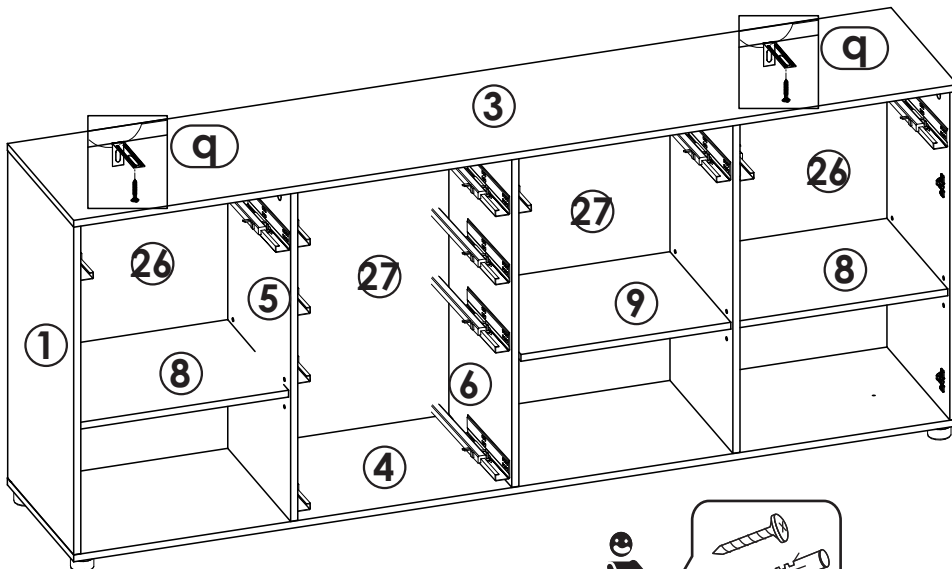
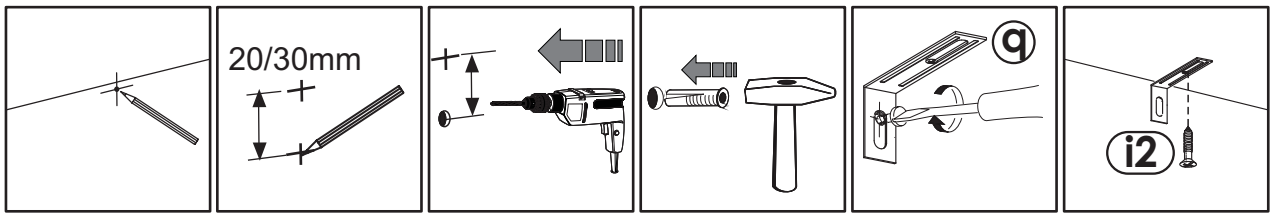
13



A=B



14



15

