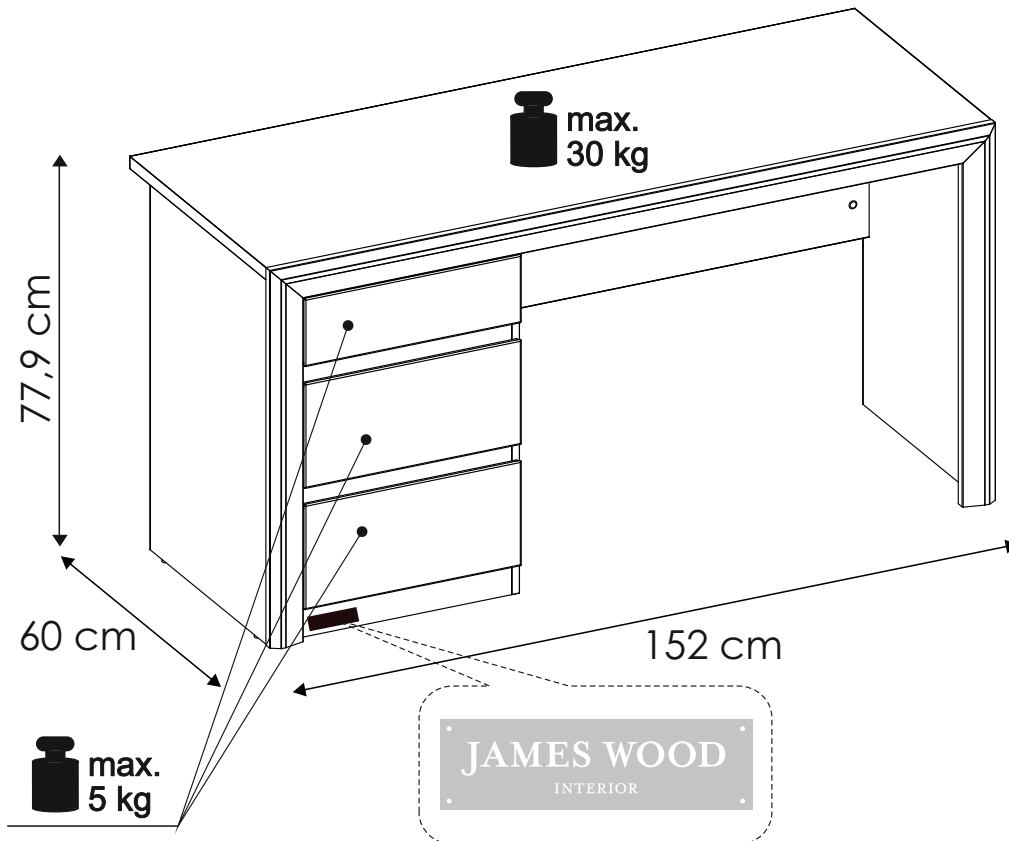
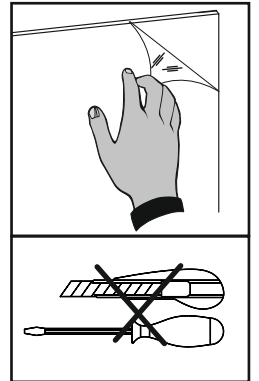


1803

KASHMIR NEW KAB01



- 60 min.

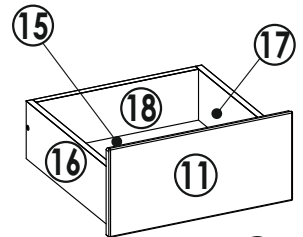
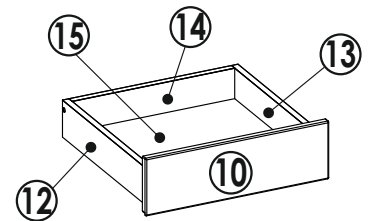
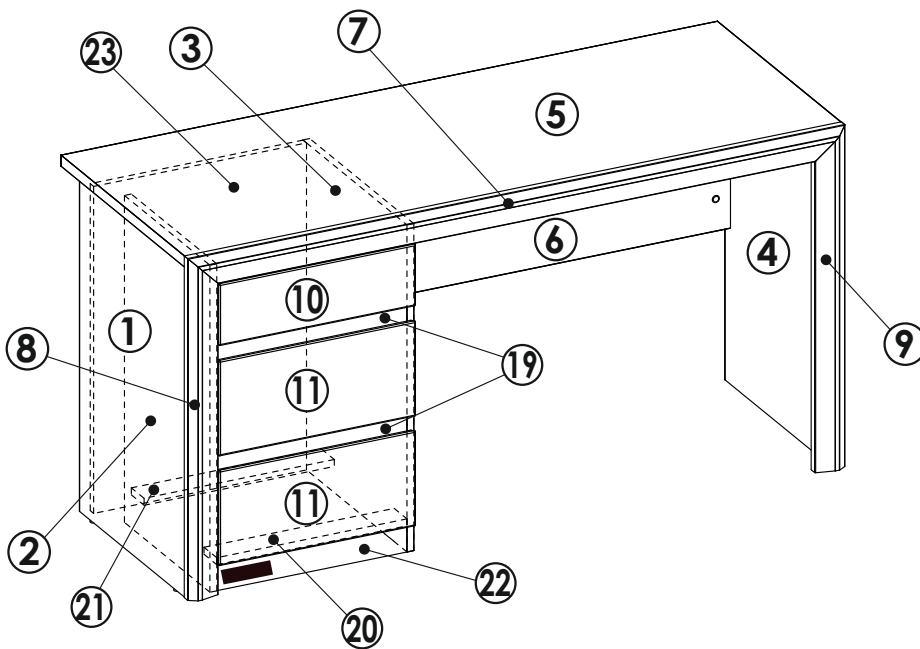
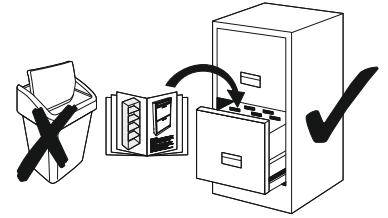


- | | | |
|--------|--------|--------|
| ① - C1 | ⑨ - C2 | ⑰ - C1 |
| ② - C1 | ⑩ - C2 | ⑱ - C1 |
| ③ - C1 | ⑪ - C2 | ⑲ - C1 |
| ④ - C1 | ⑫ - C1 | ⑳ - C1 |
| ⑤ - C2 | ⑬ - C1 | ㉑ - C1 |
| ⑥ - C2 | ⑭ - C1 | ㉒ - C1 |
| ⑦ - C2 | ⑮ - C1 | ㉓ - C1 |
| ⑧ - C2 | ⑯ - C1 | |









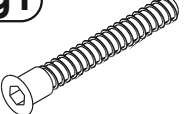
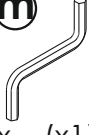

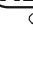

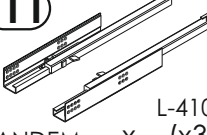
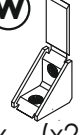
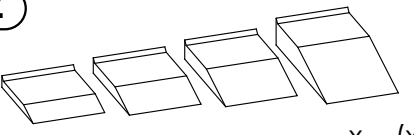
C1 = 1/2

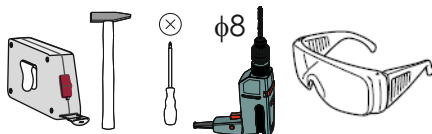
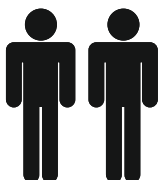
C2 = 2/2

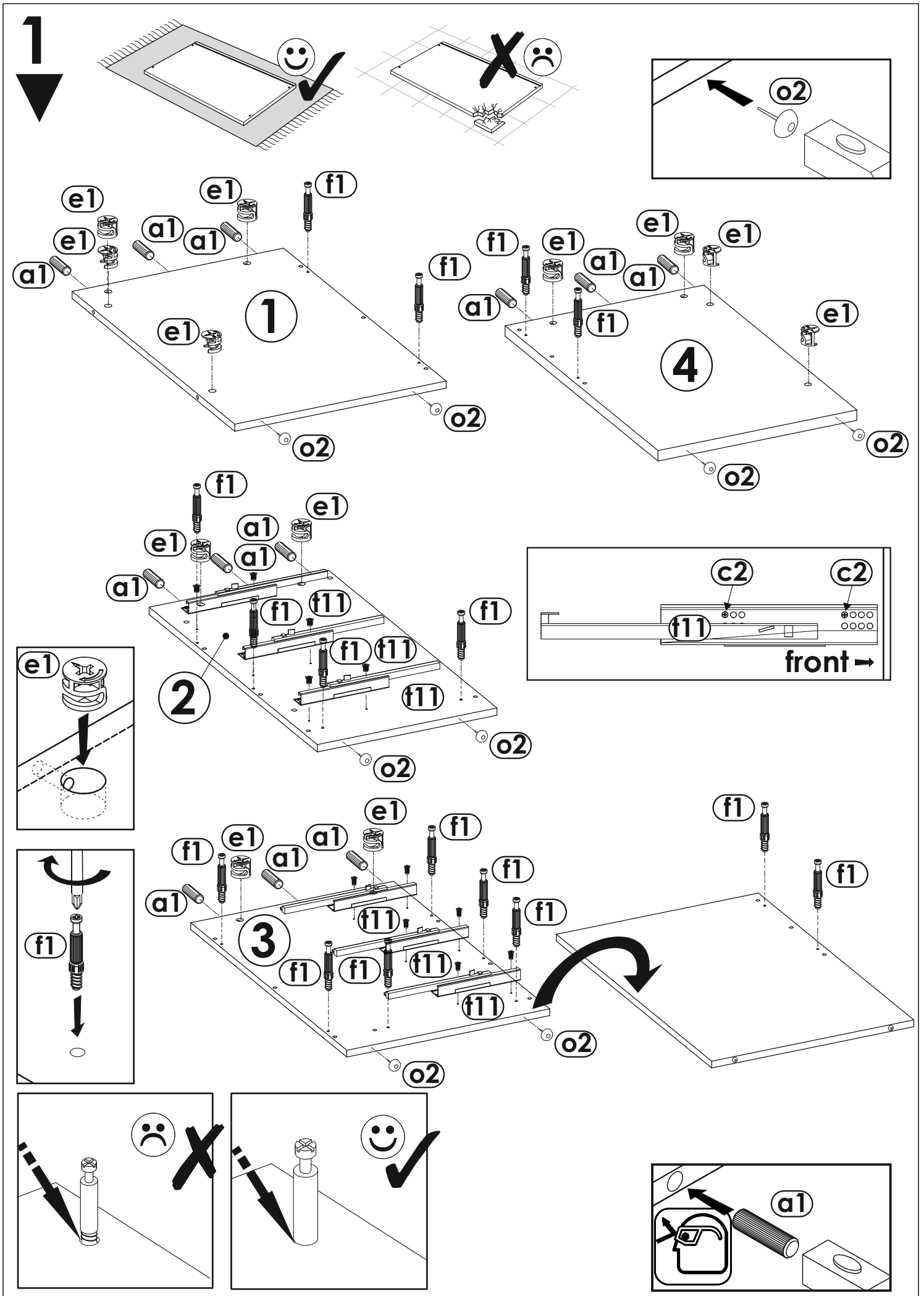
KASHMIR NEW KAB01



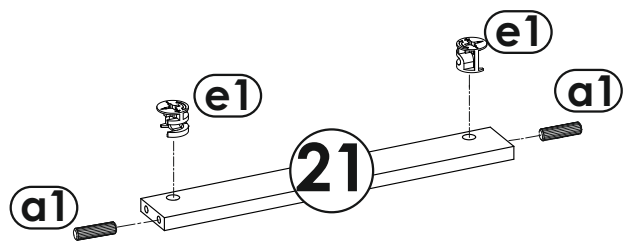
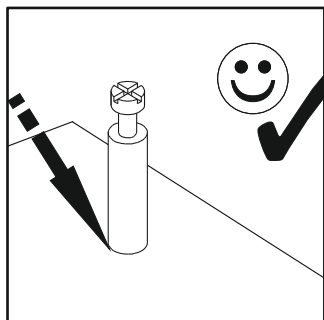
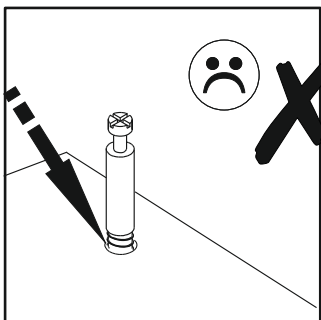
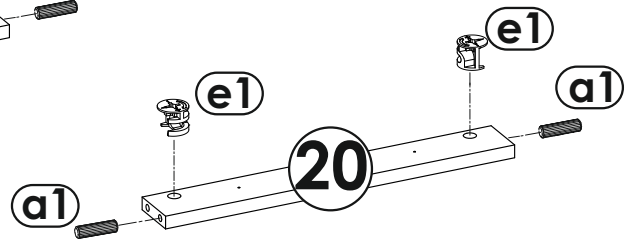
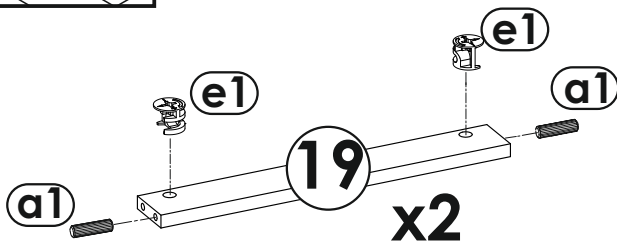
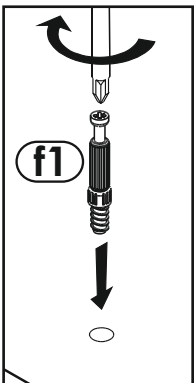
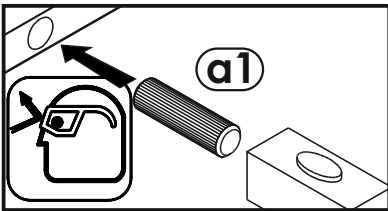
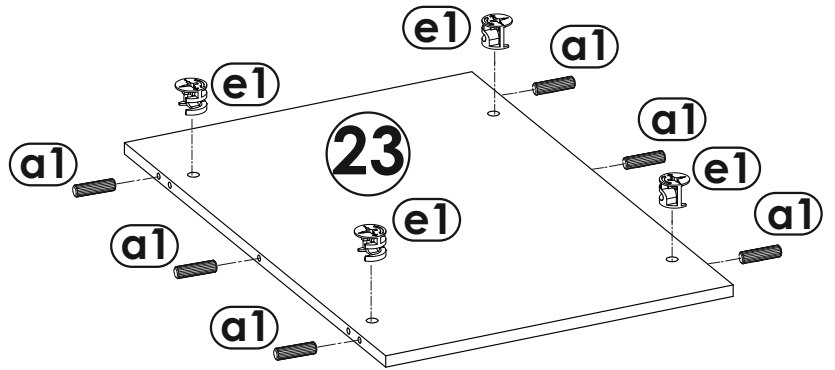
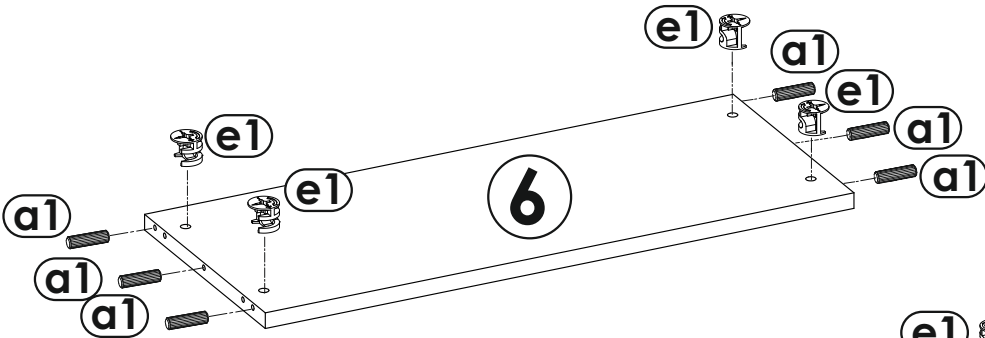
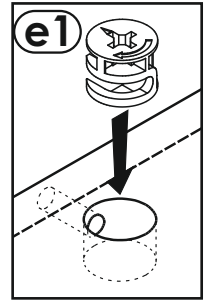
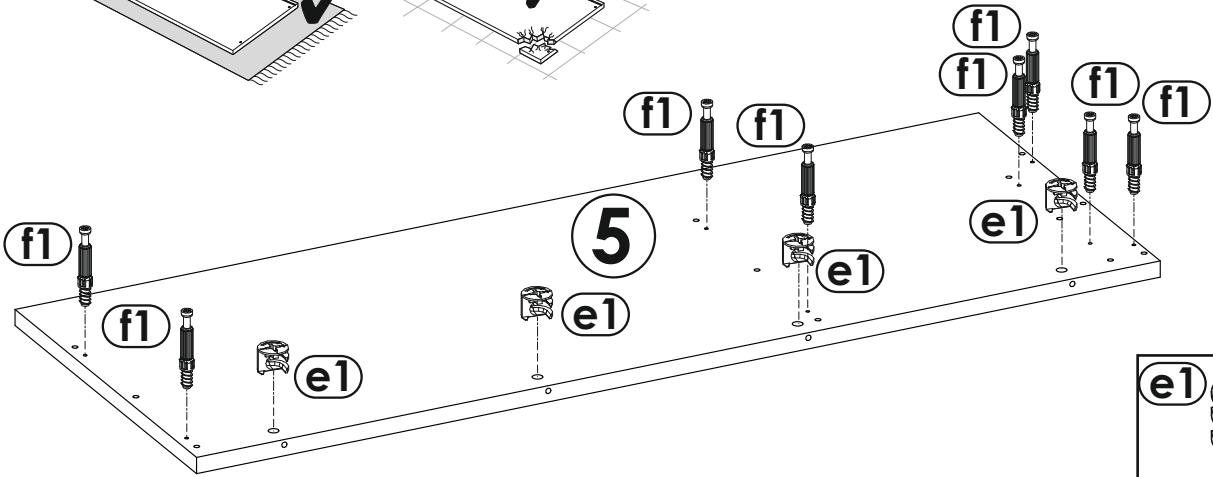
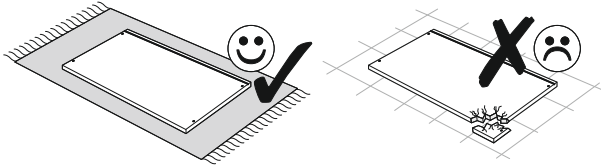
x2

a1  8x35 x... (x56)	c2  Euro 5x13 x... (x12)	e0  x... (x42)	e1  x... (x42)	et  JAMES WOOD INTERIOR x... (x1)	f1  x... (x38)	f3  7x62 x... (x2)	g0  x... (x6)	g1  7x50 x... (x6)
m  x... (x1)	n1  3x16 x... (x10)	n2  3,5x16 x... (x4)	o2  x... (x8)	f11  L-410 TANDEM x... (x3)	w  x... (x2)	z  x... (x1)		

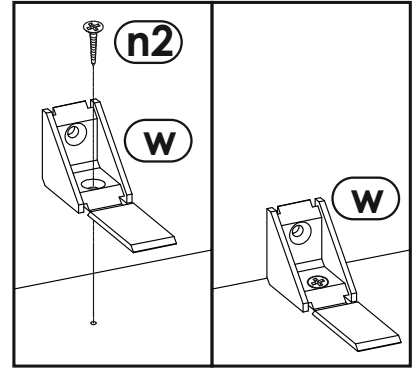
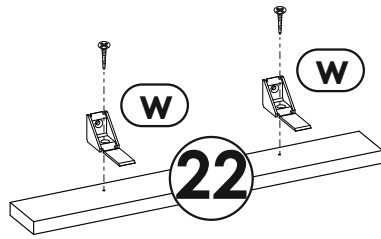
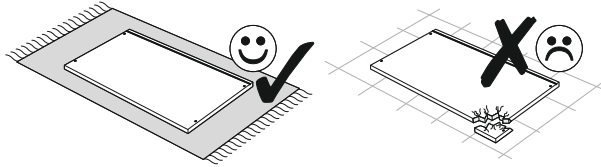




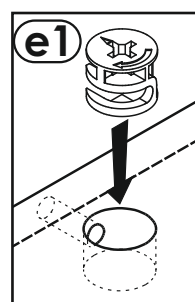
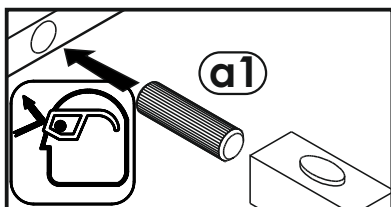
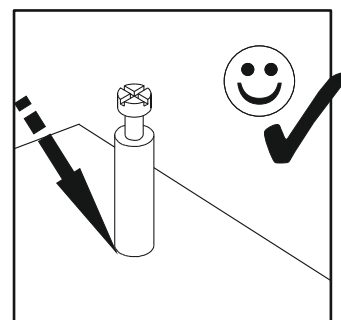
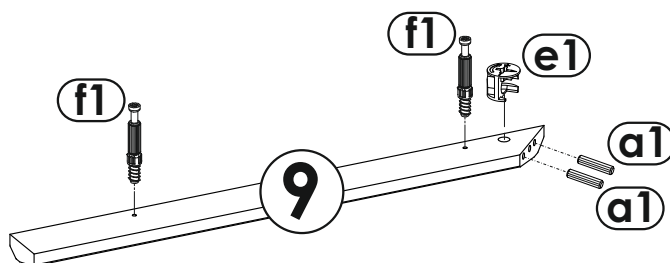
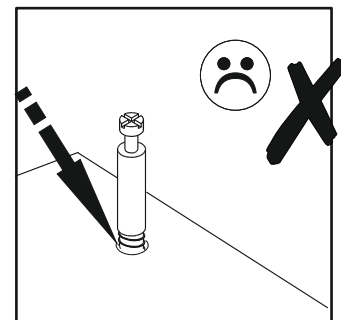
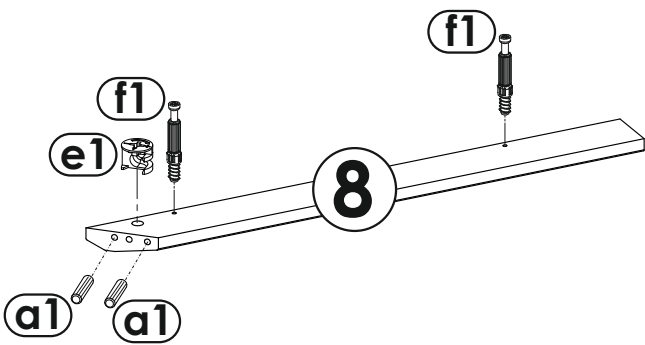
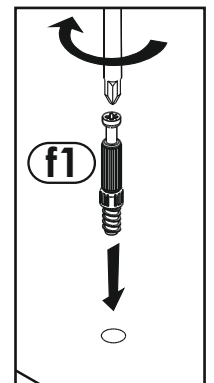
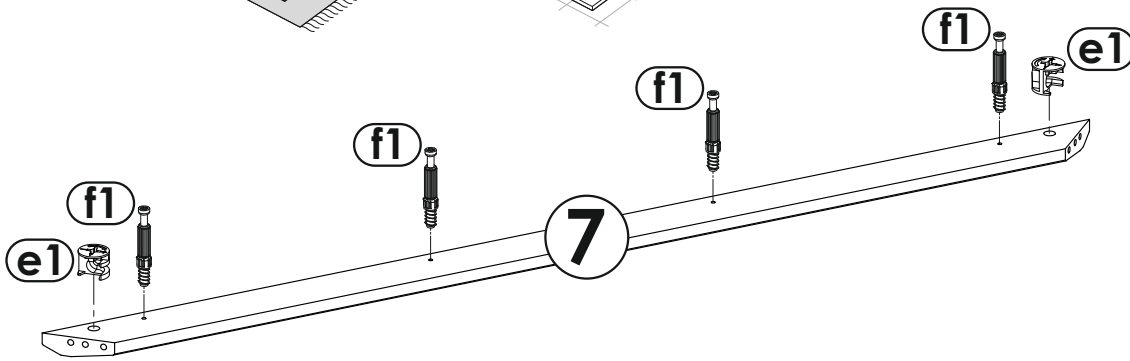
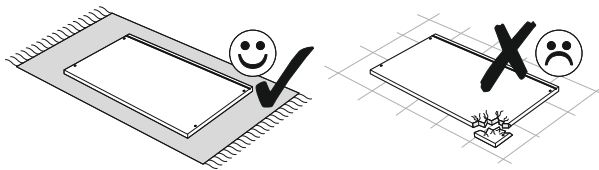
2



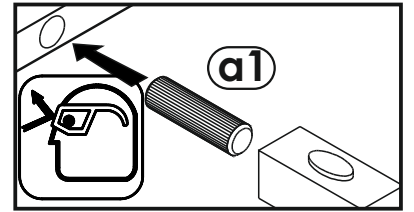
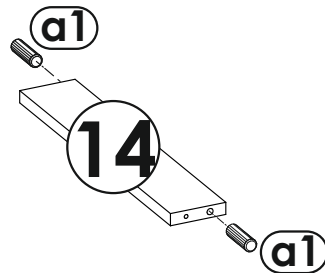
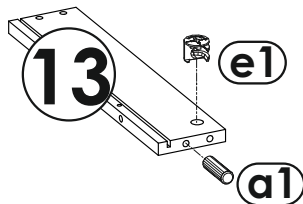
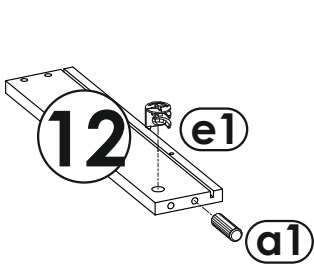
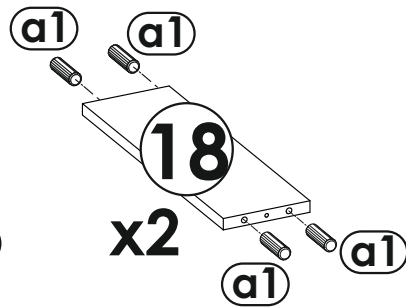
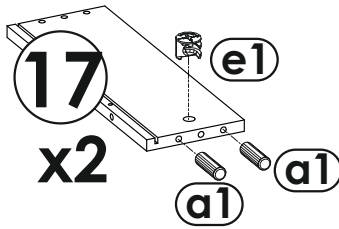
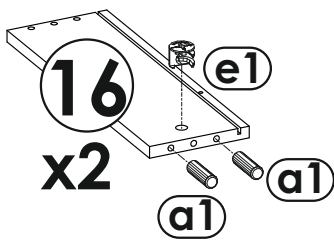
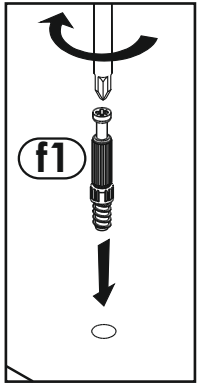
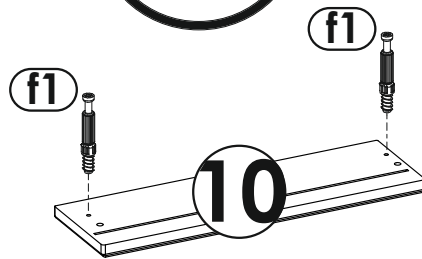
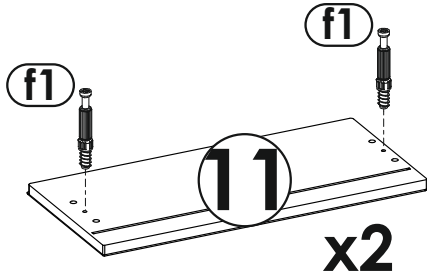
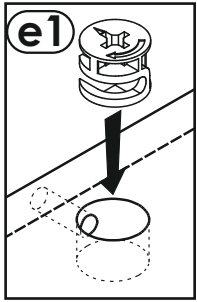
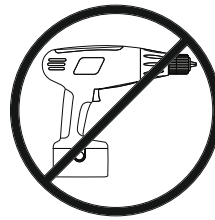
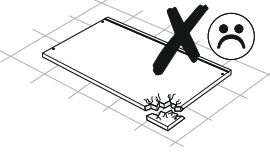
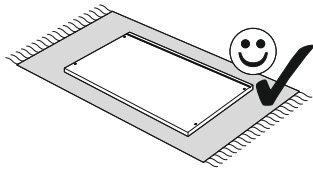
3



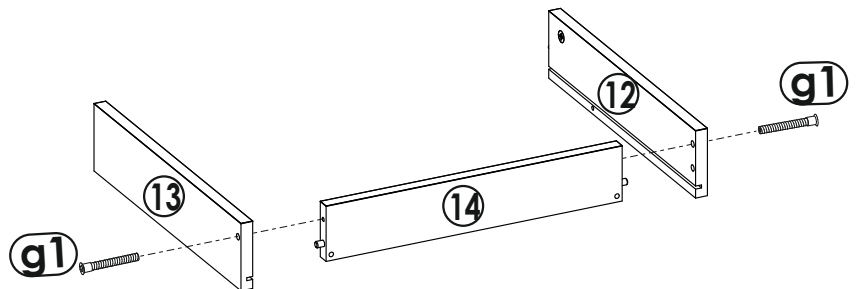
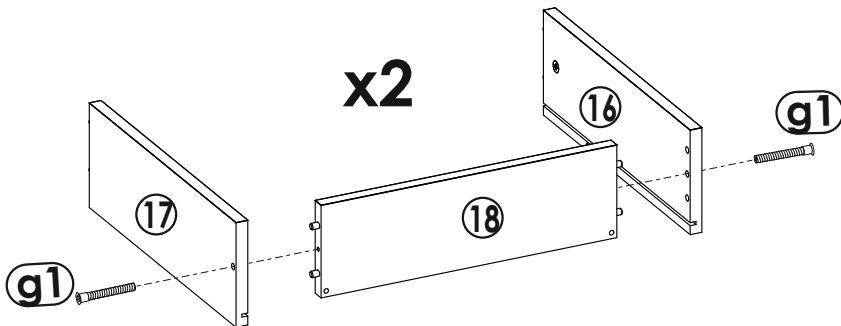
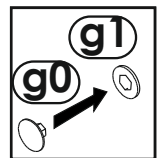
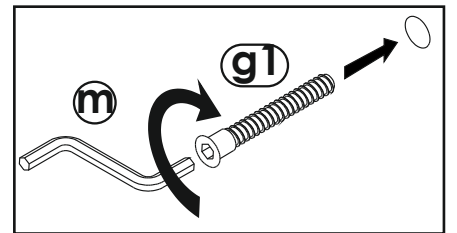
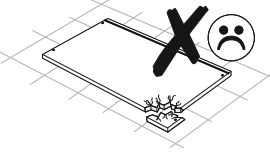
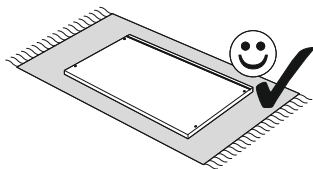
4



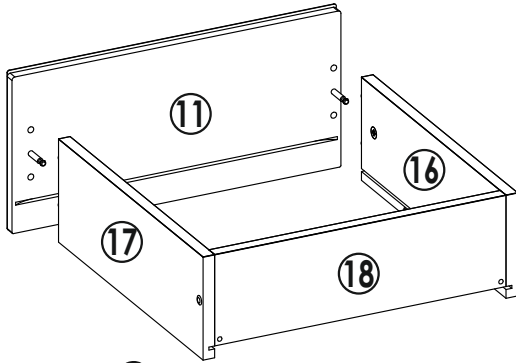
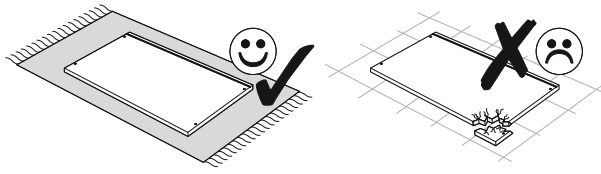
5



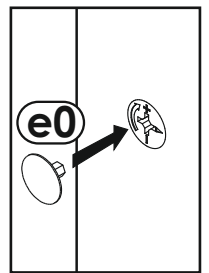
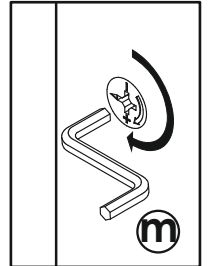
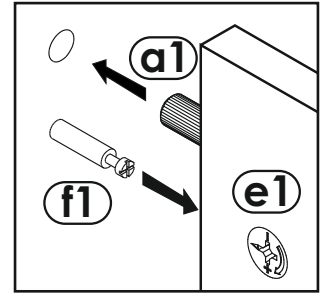
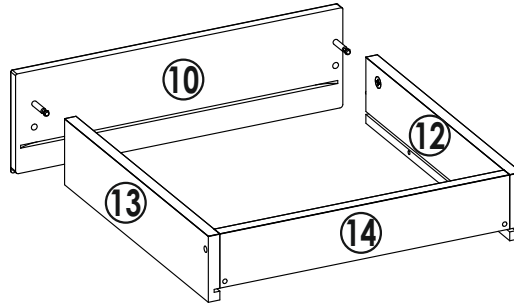
6



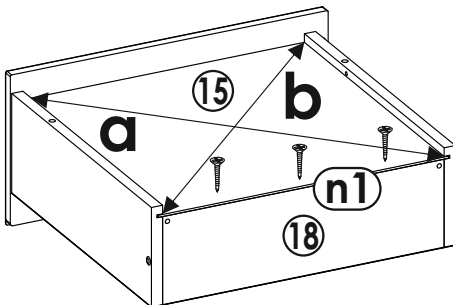
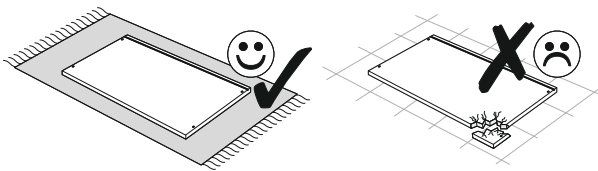
7
▼



x2

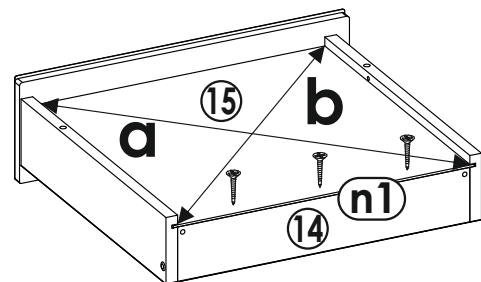
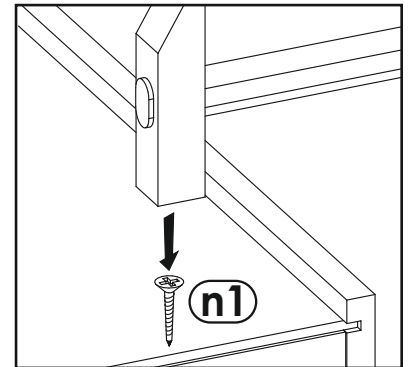


8
▼

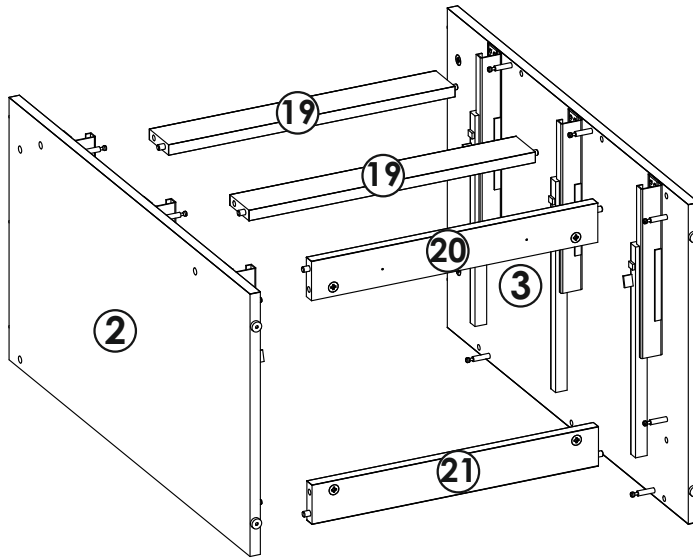
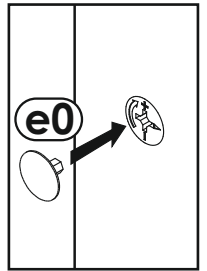
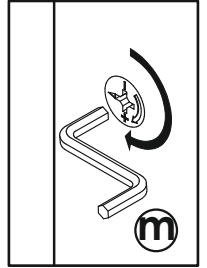
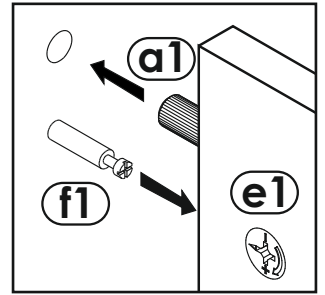
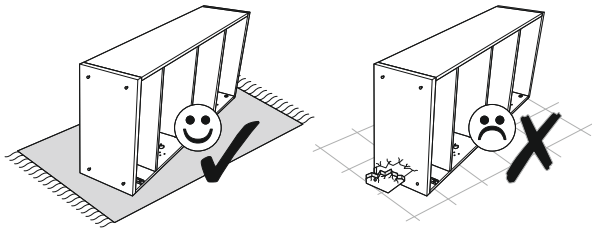


x2

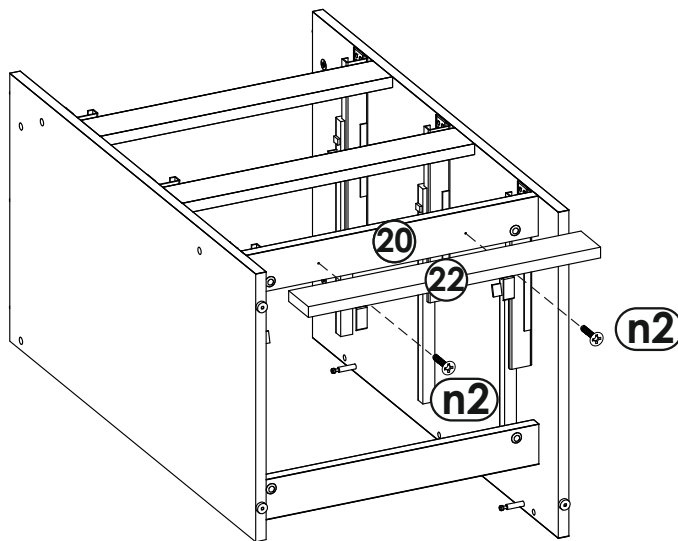
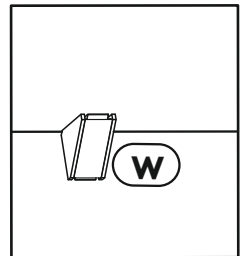
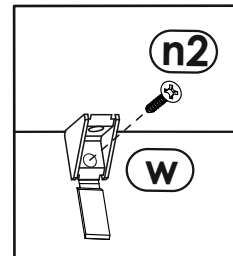
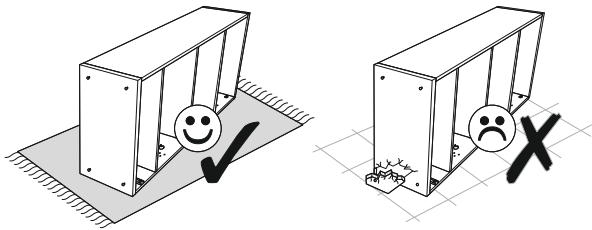
a=b



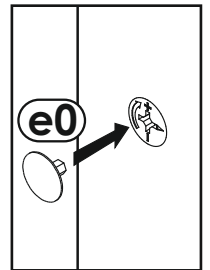
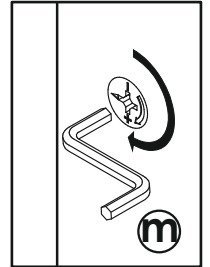
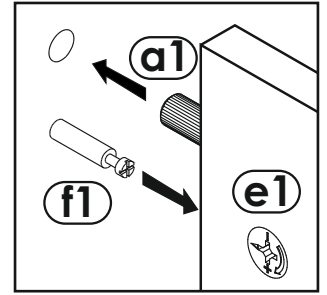
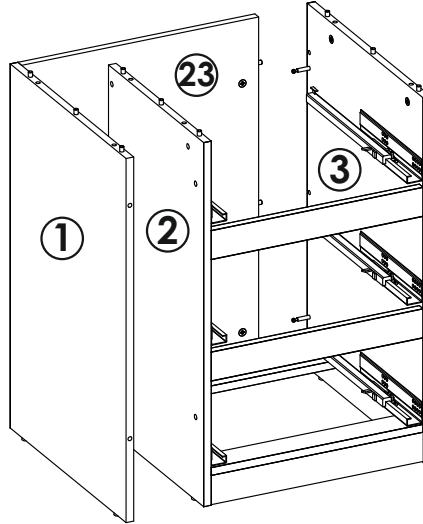
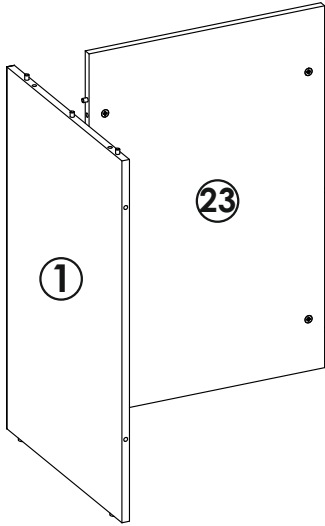
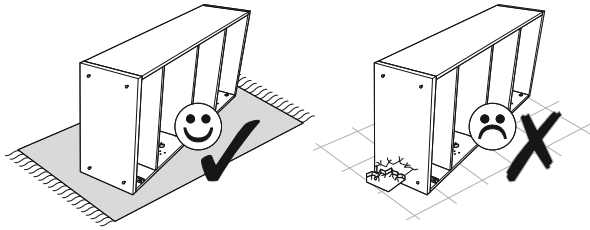
9
▼



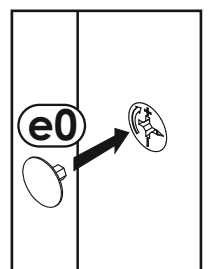
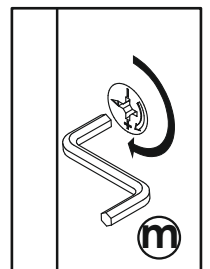
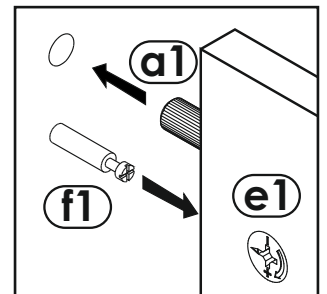
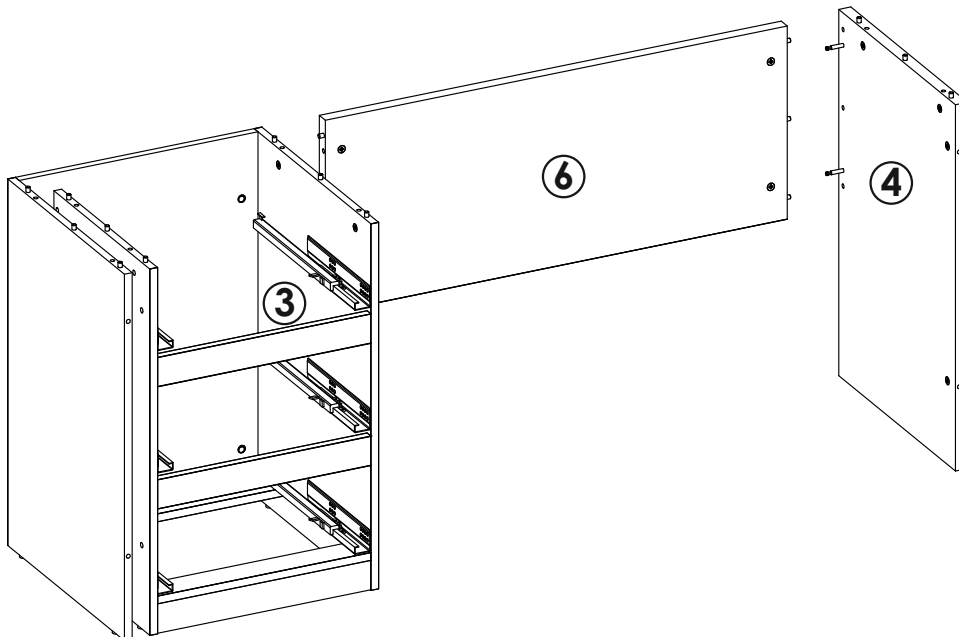
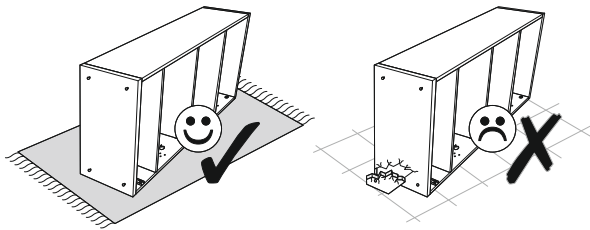
10
▼



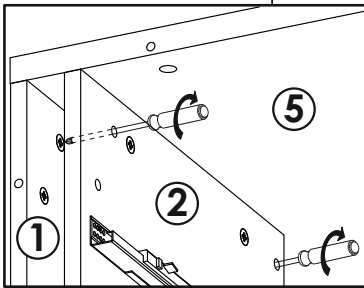
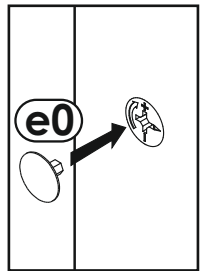
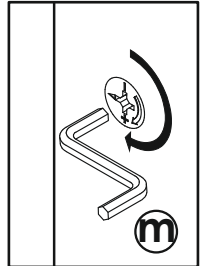
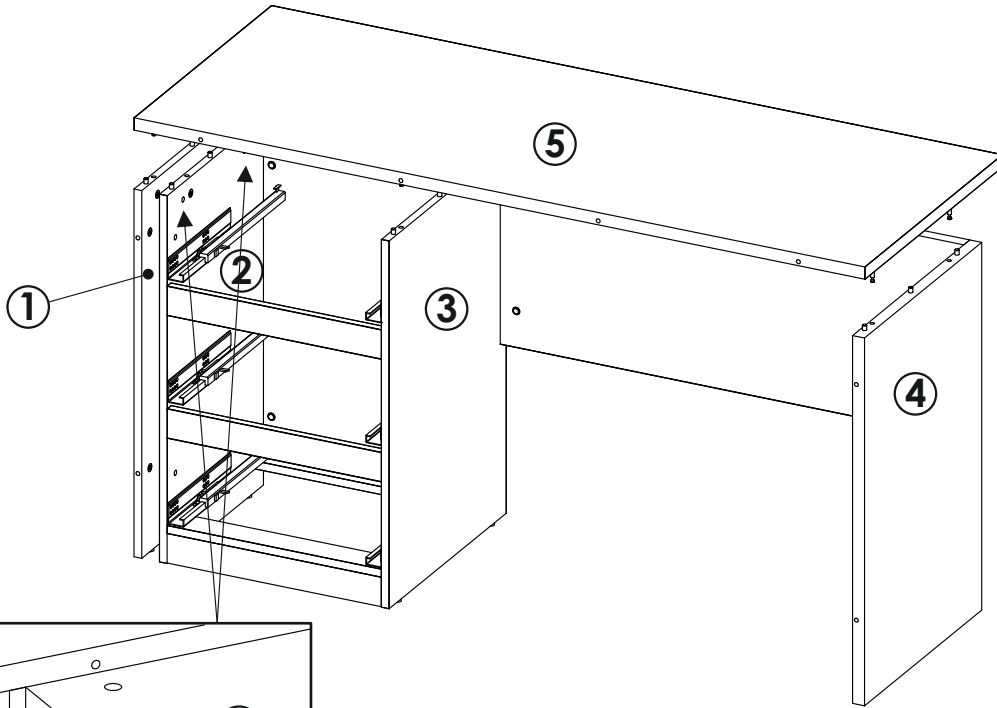
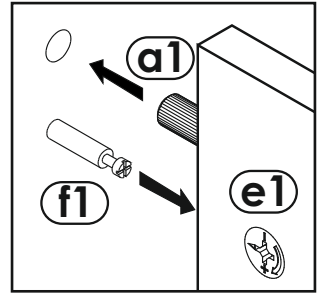
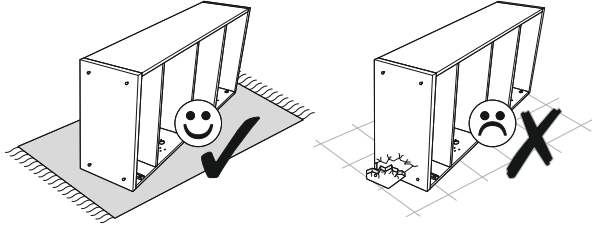
11
▼



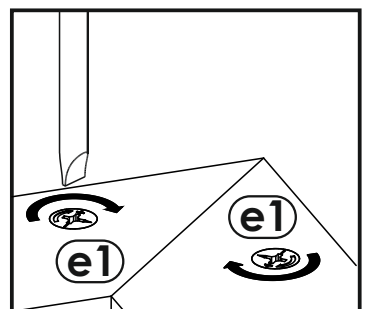
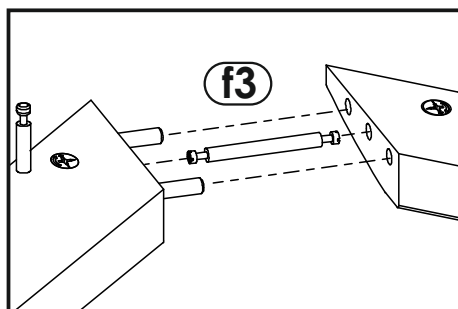
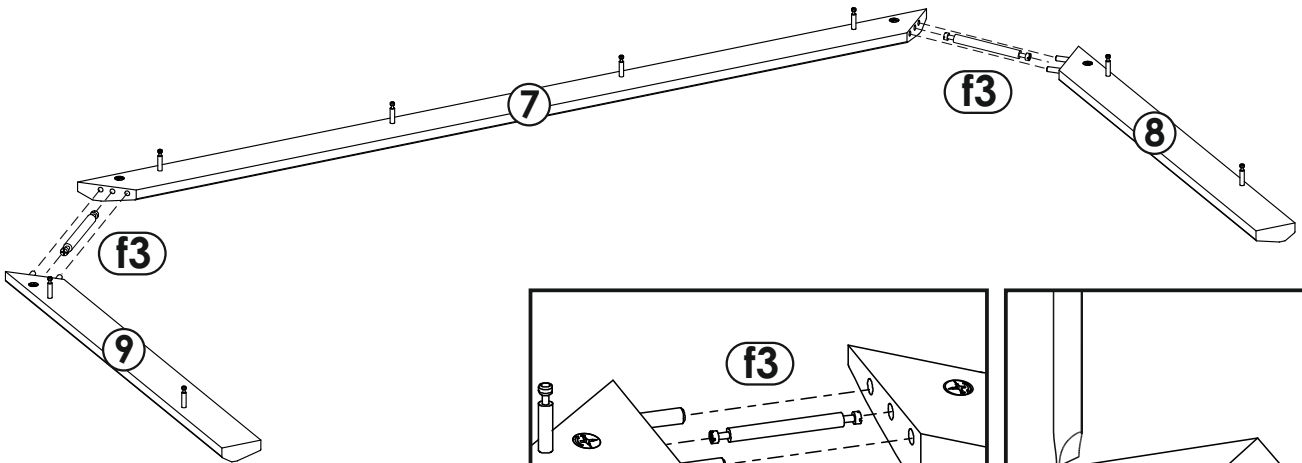
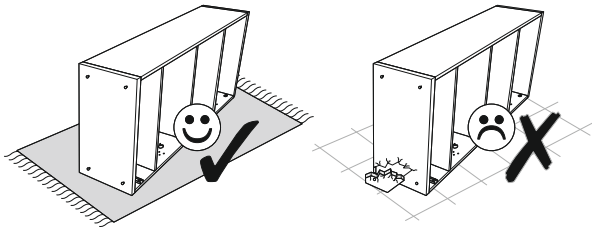
12
▼



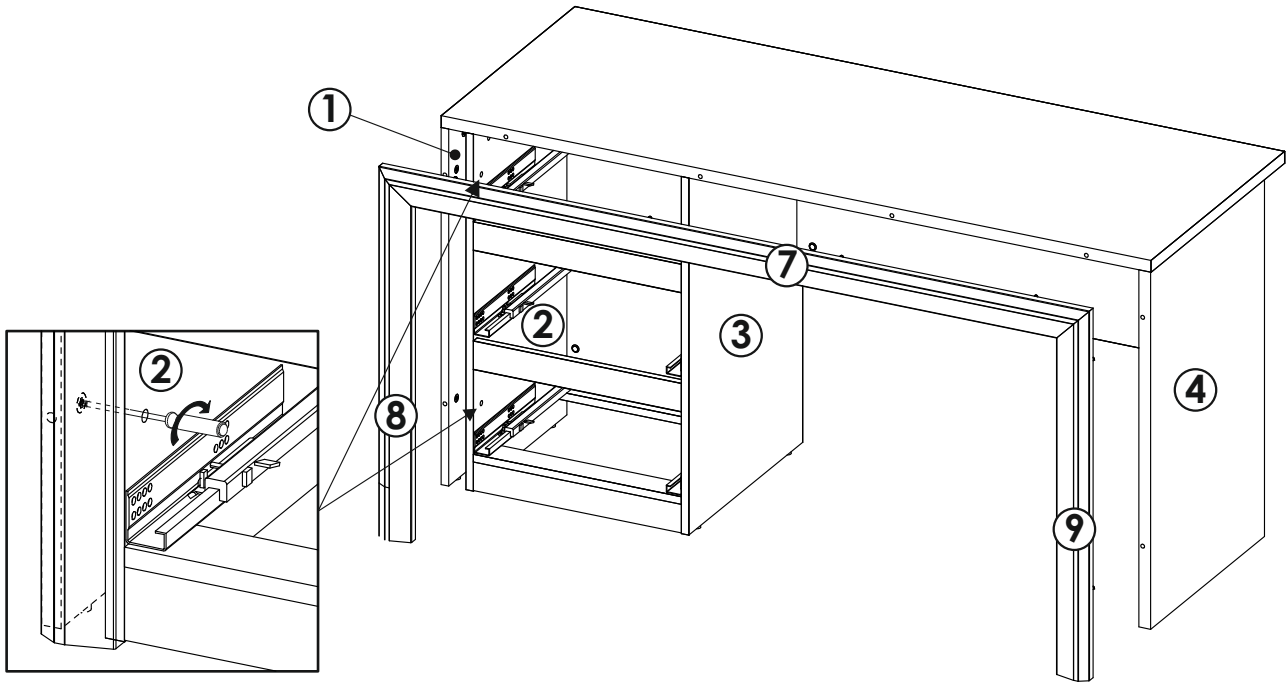
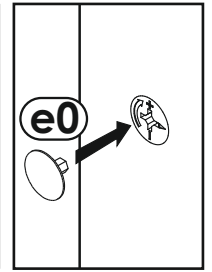
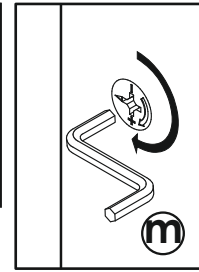
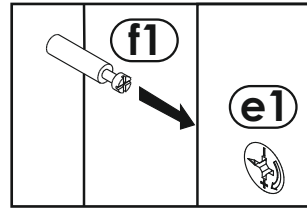
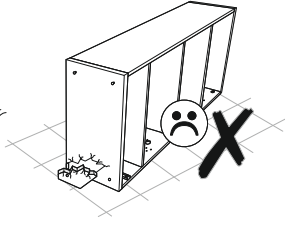
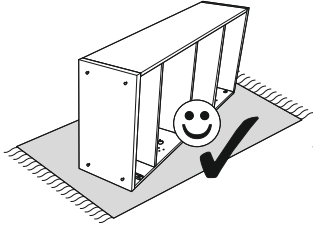
13



14



15



16

