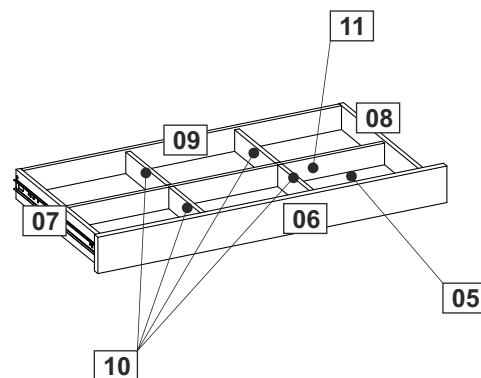
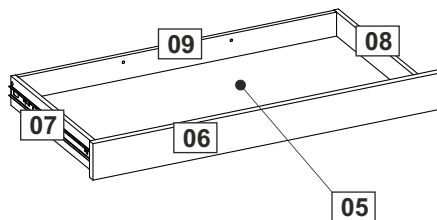
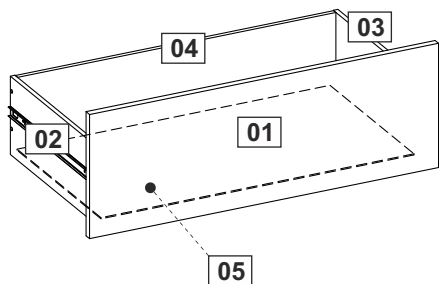
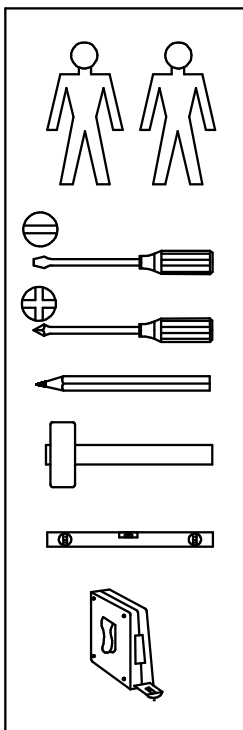
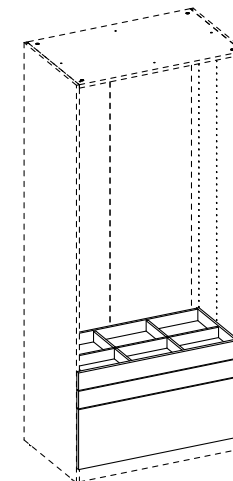
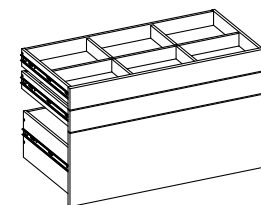
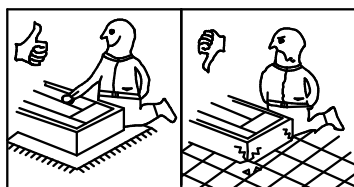
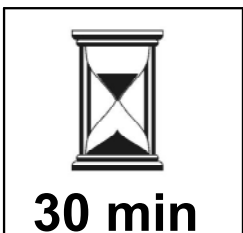


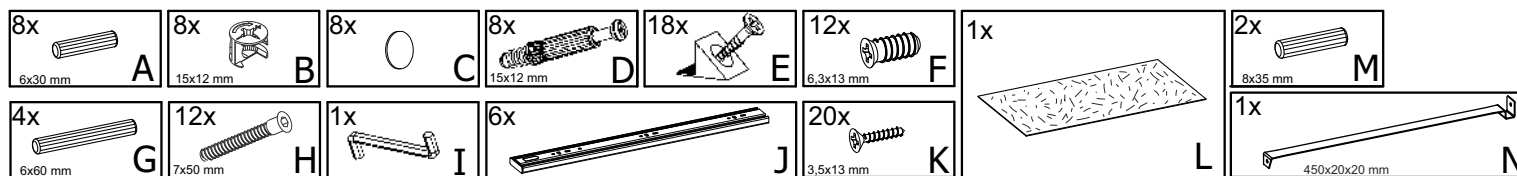
# TYP 82,83



01	909x317x18	x1	1/1
02	450x200x12	x1	1/1
03	450x200x12	x1	1/1
04	829x200x12	x1	1/1
05	450x839x3	x3	1/1
06	909x93x18	x2	1/1
07	450x75x12	x2	1/1
08	450x75x12	x2	1/1
09	829x75x12	x2	1/1
10	212x55x12	x4	1/1
11	829x55x12	x1	1/1



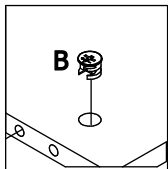
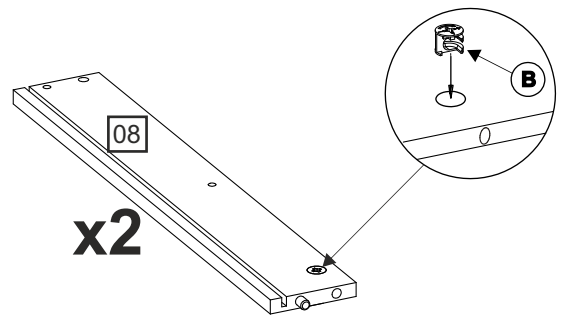
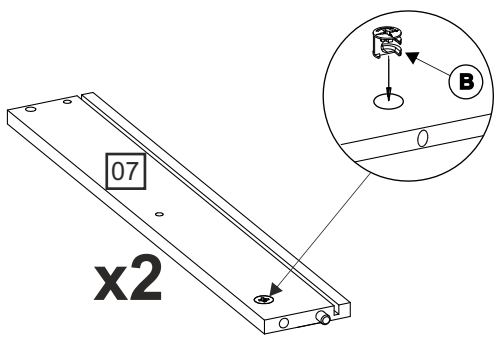
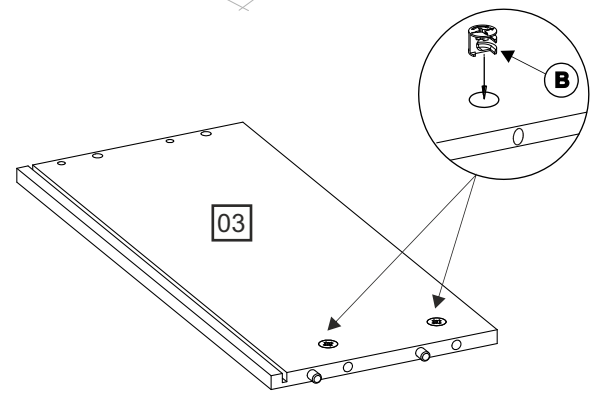
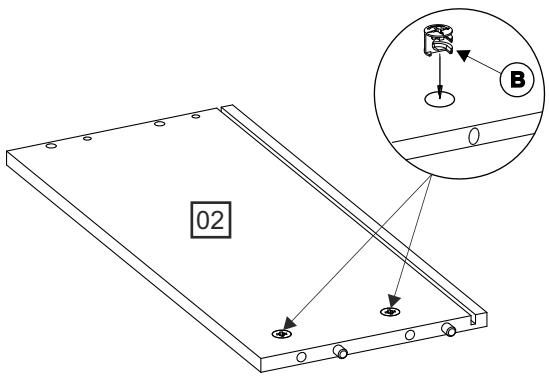
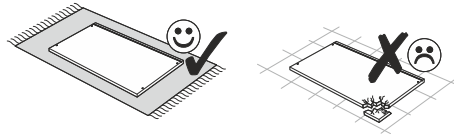
C 1/1



# UNIT

# 1

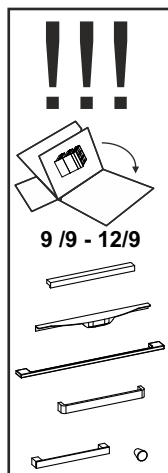
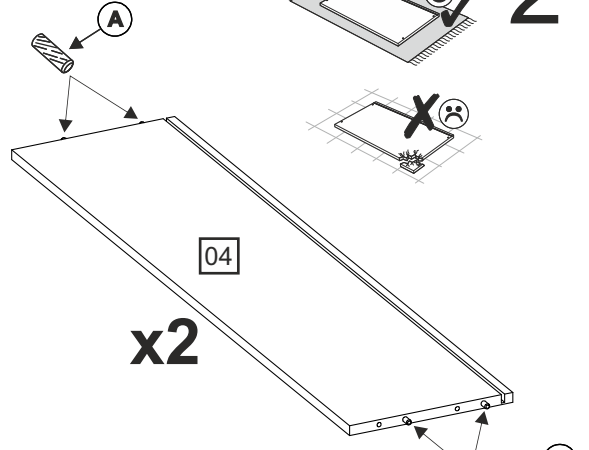
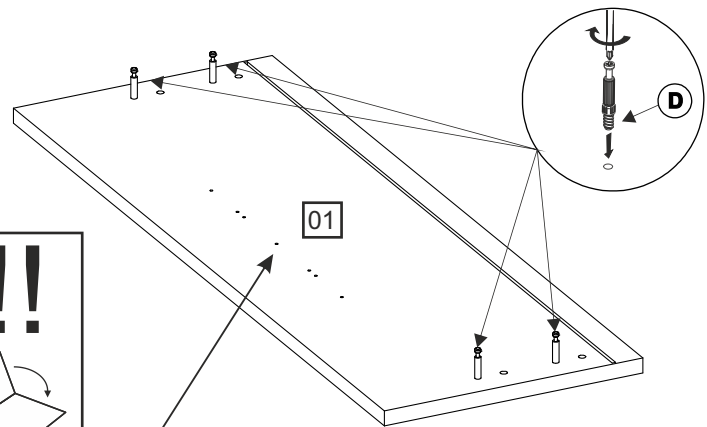
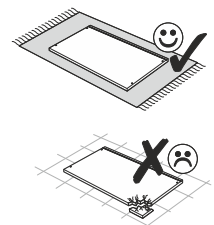
8x  
15x12 mm  
**B**



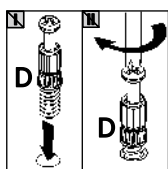
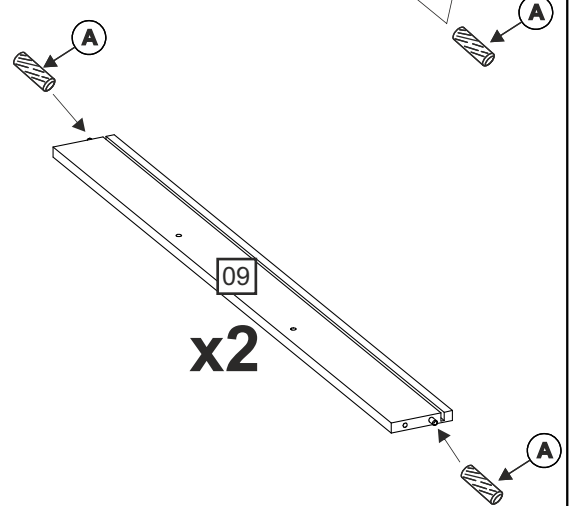
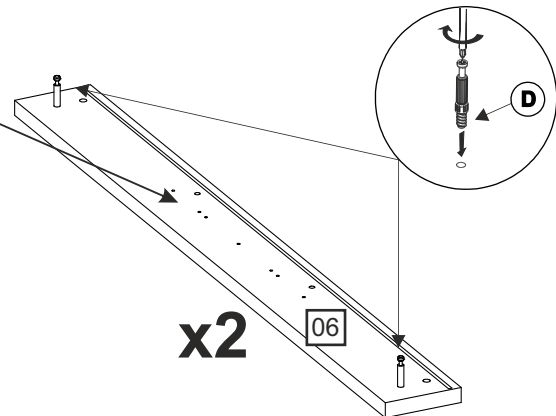
8x  
15x12 mm  
**D**

8x  
6x30 mm  
**A**

# 2

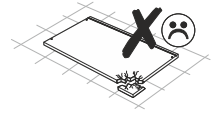
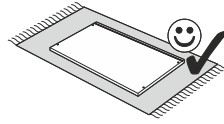


9/9 - 12/9

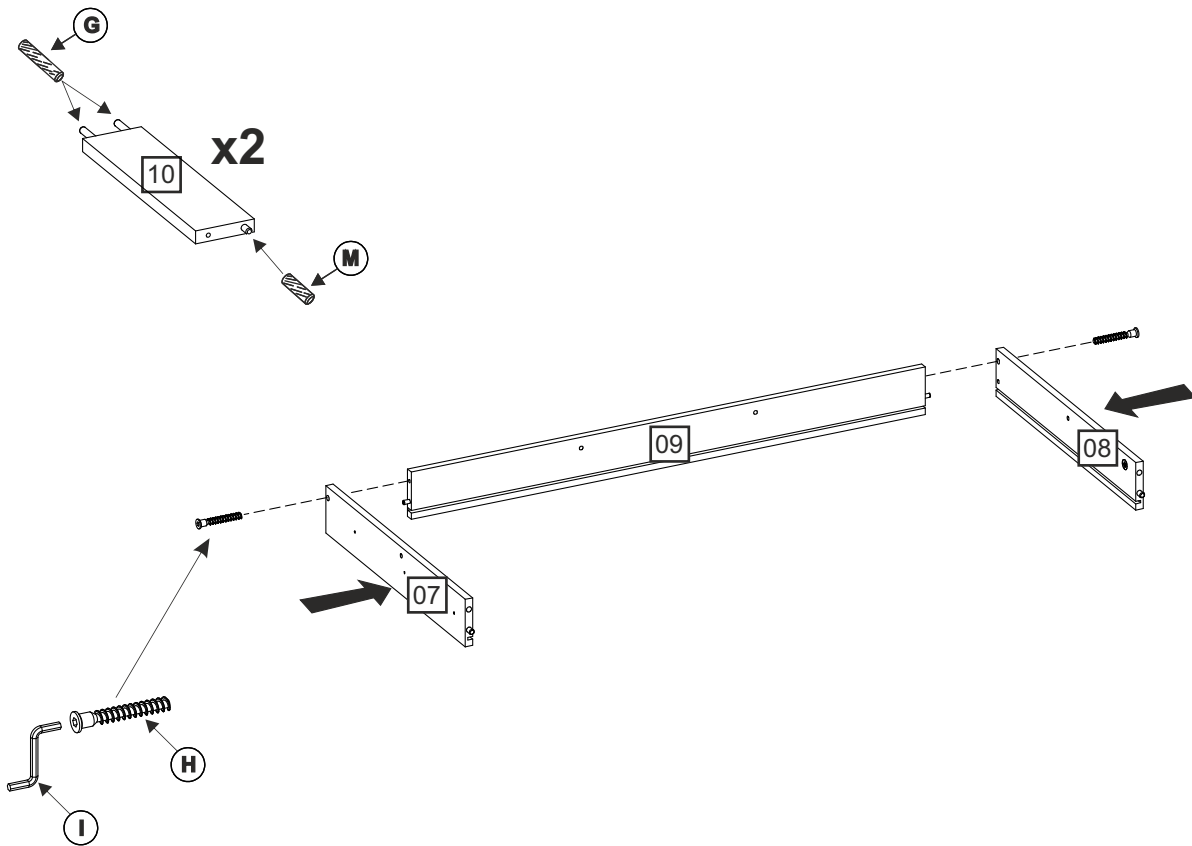


# UNIT

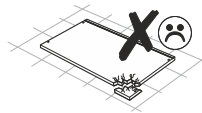
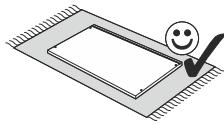
- 4x 6x60 mm G
- 2x 7x50 mm H
- 1x I
- 2x 8x35 mm M



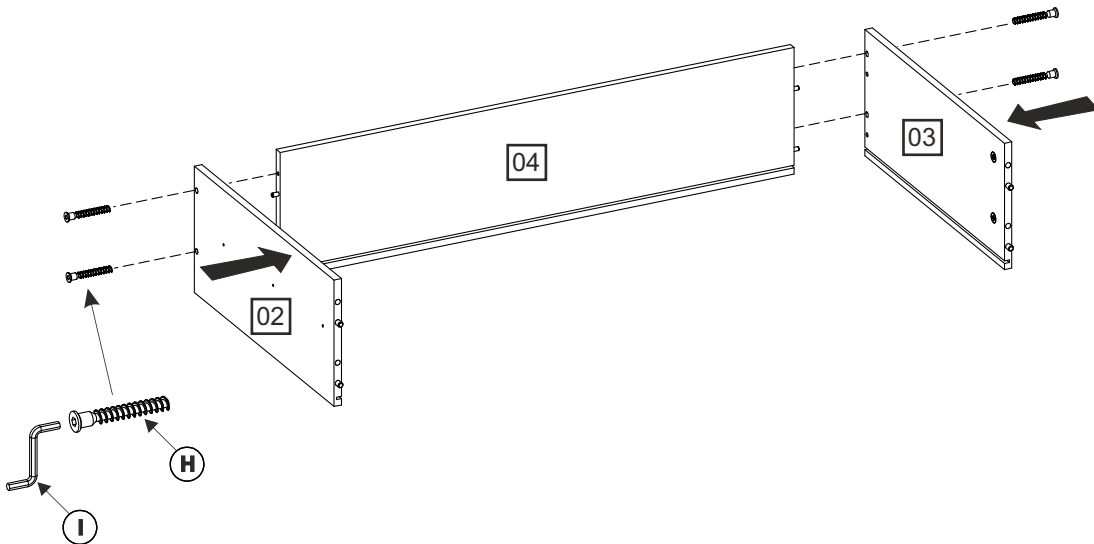
# 3



- 4x 7x50 mm H
- 1x I

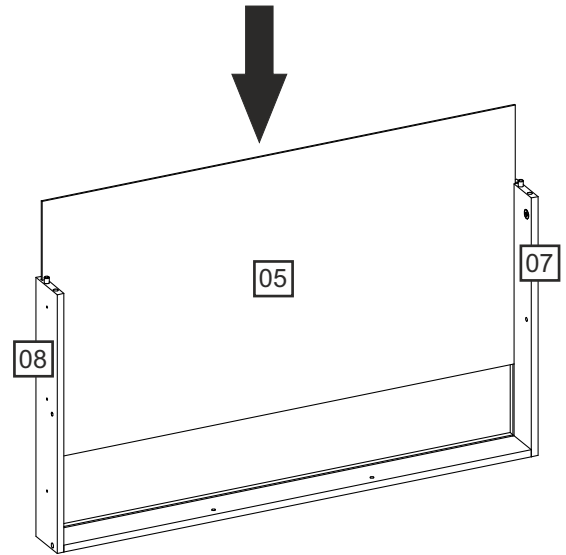
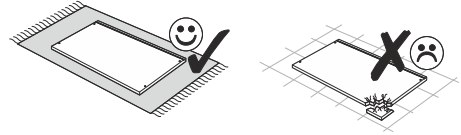
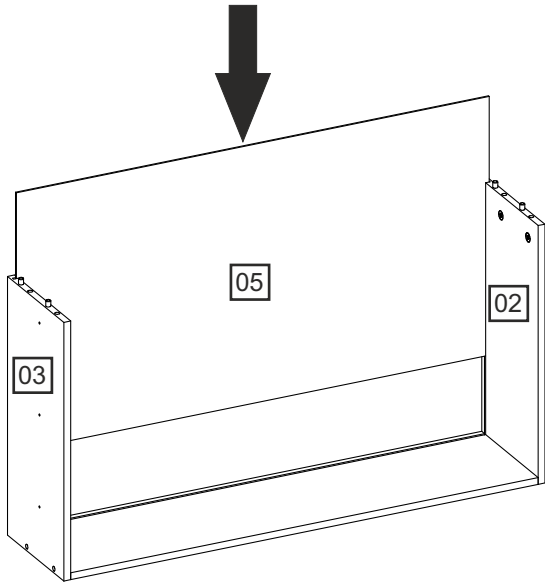


# 4



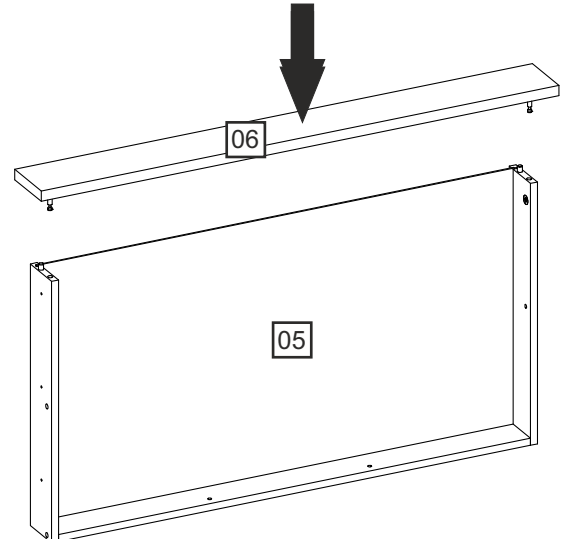
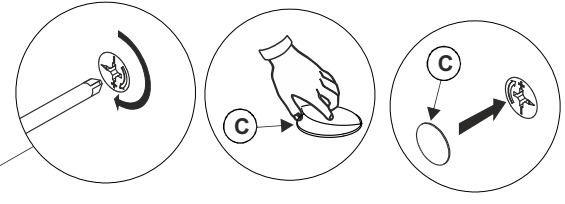
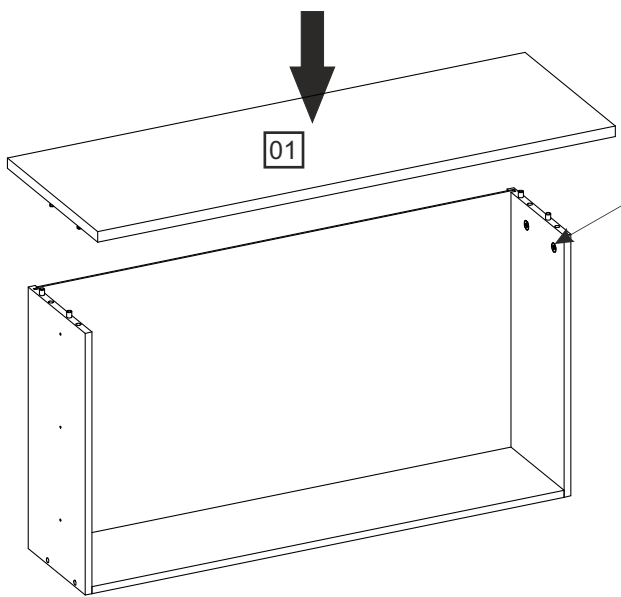
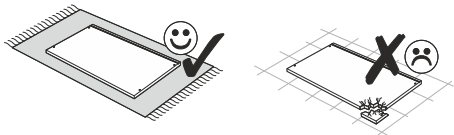
UNIT

5

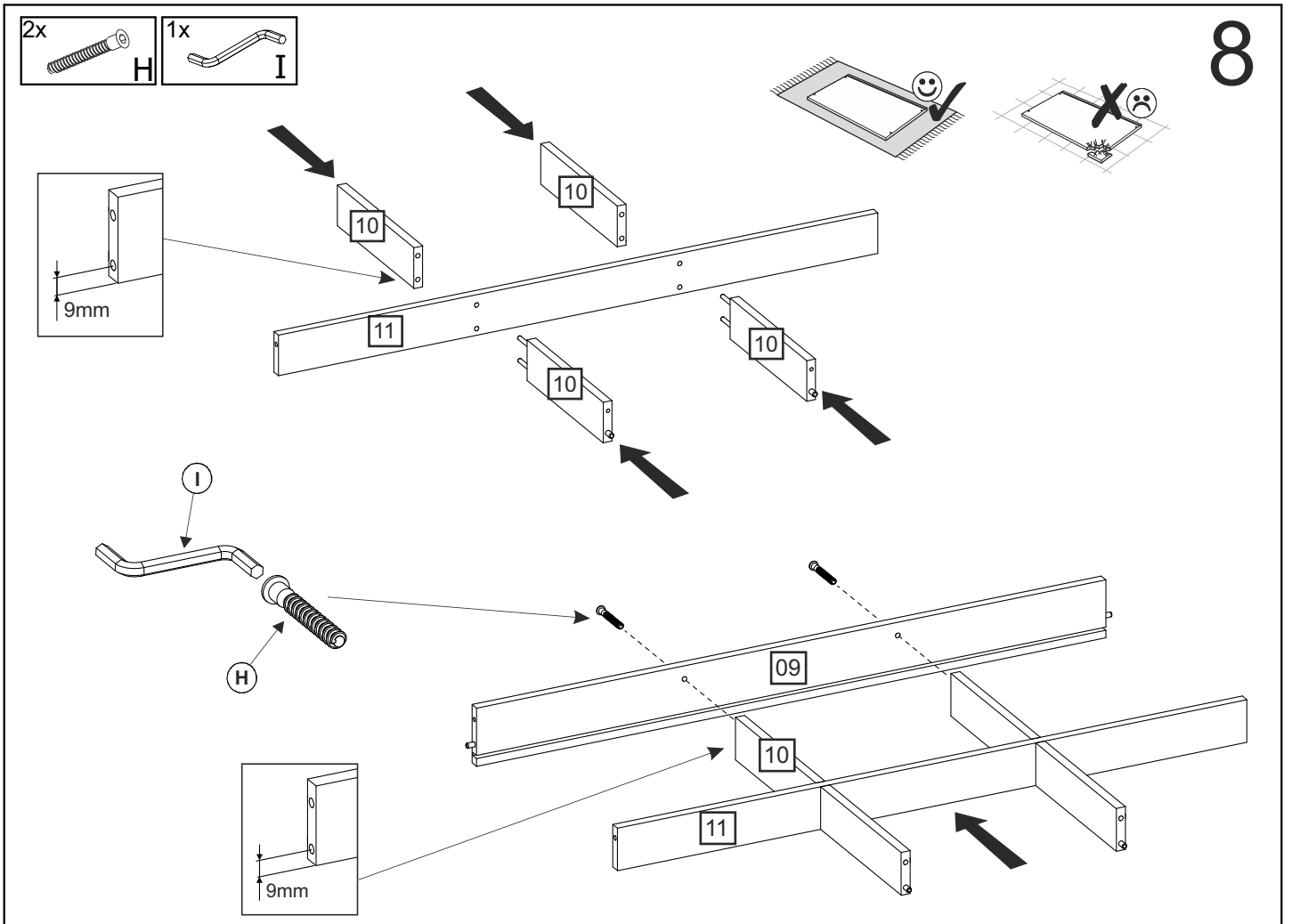
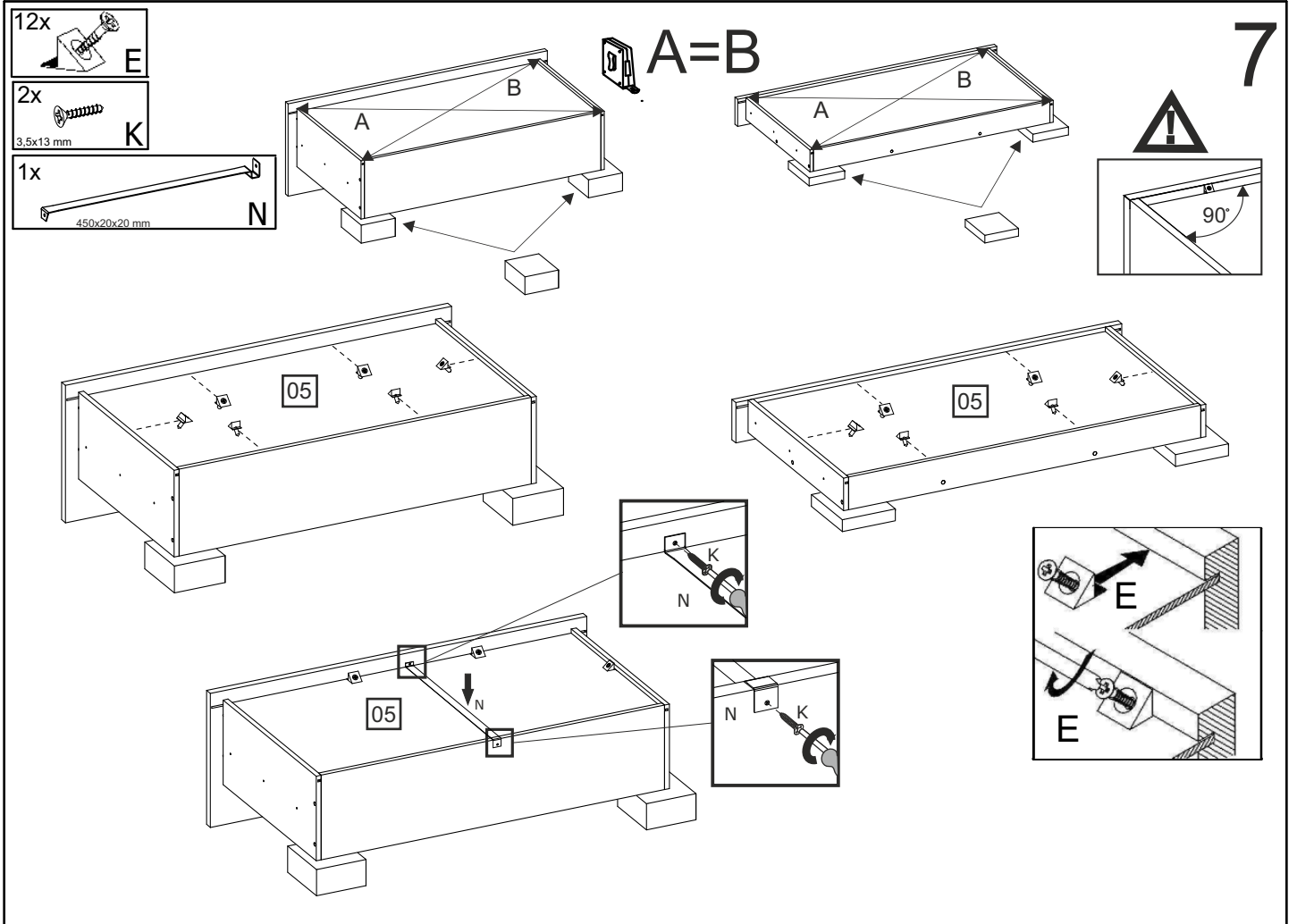


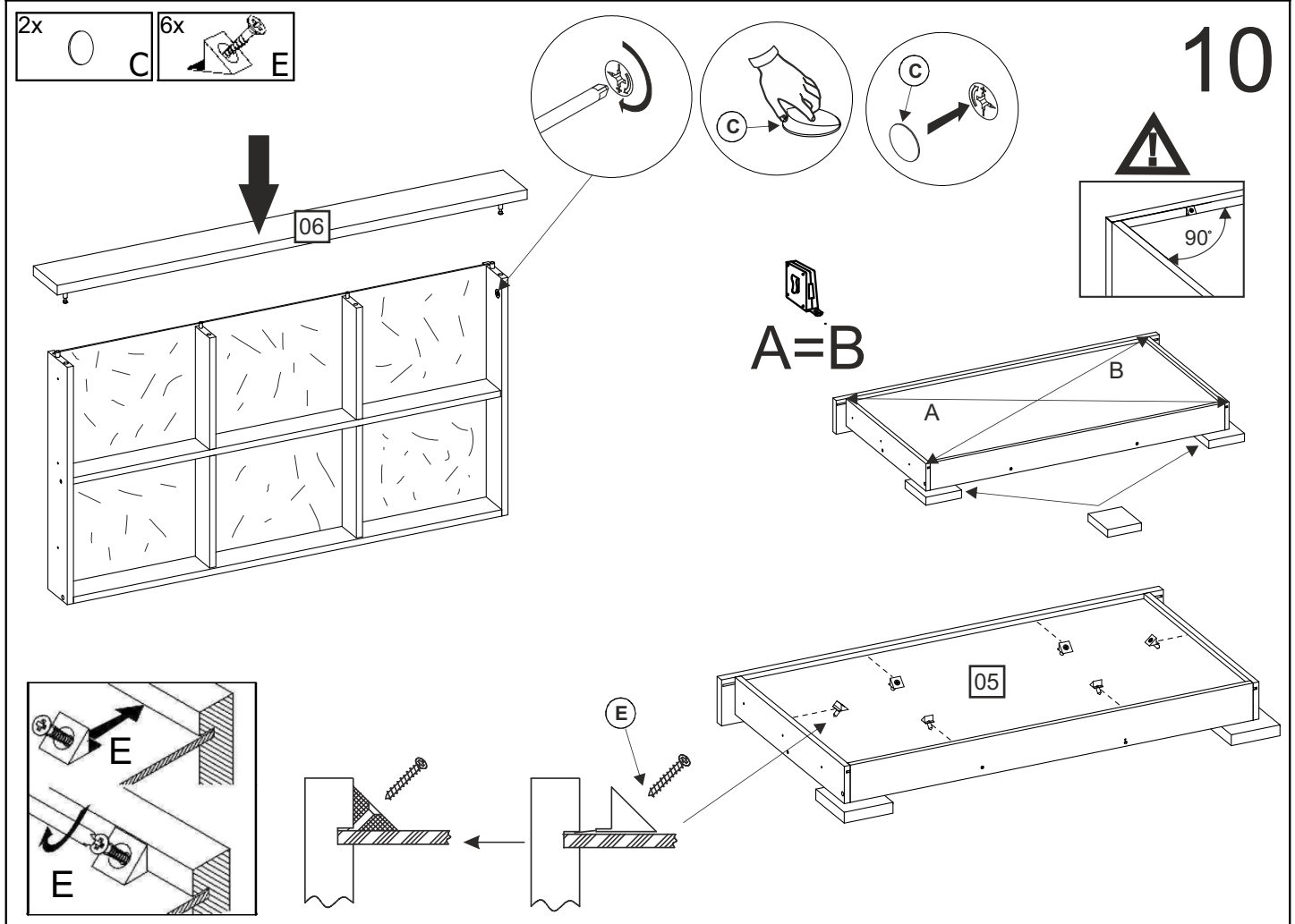
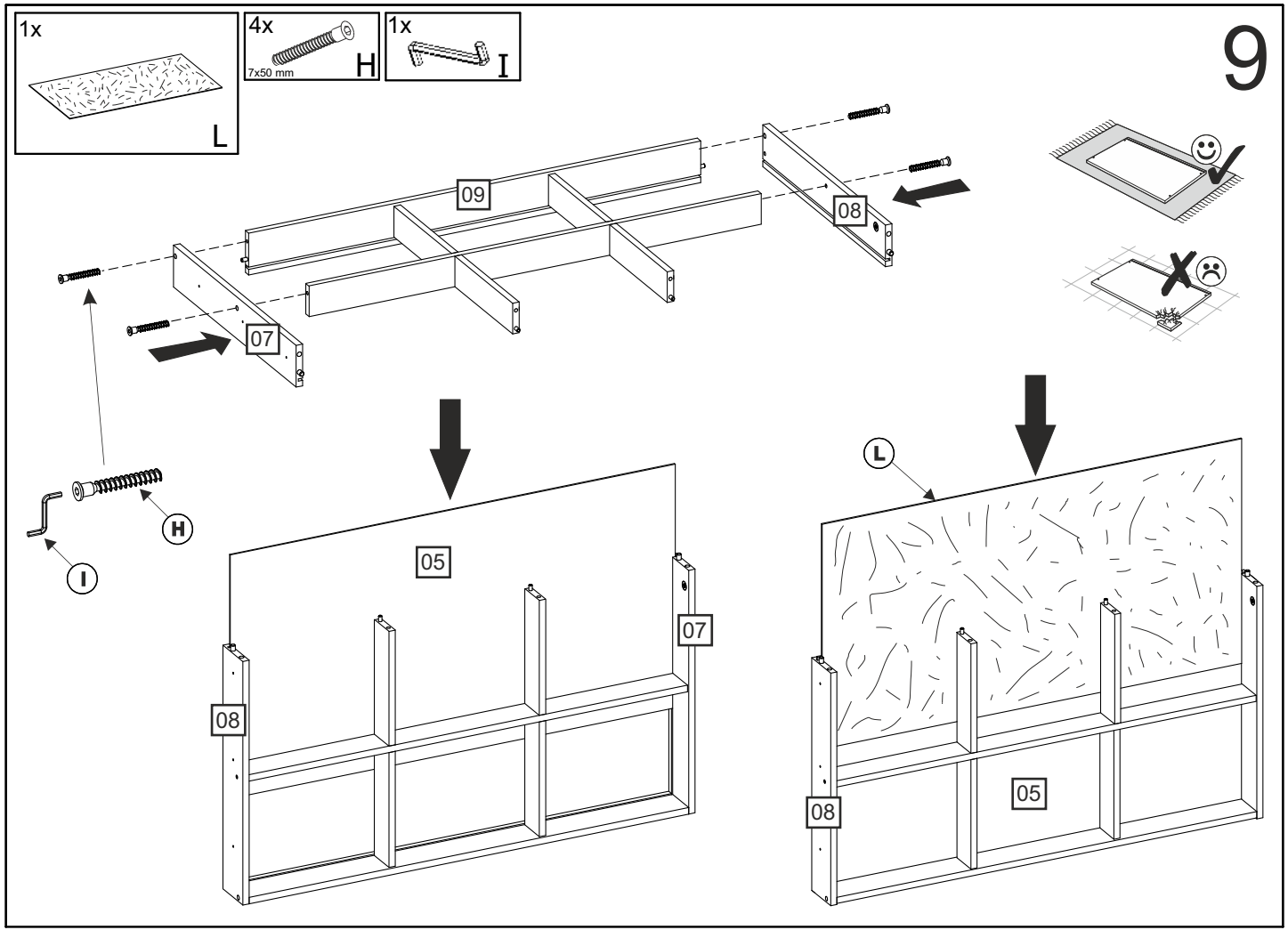
6x  
C

6



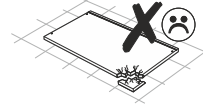
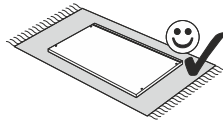
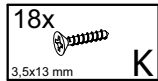
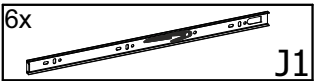
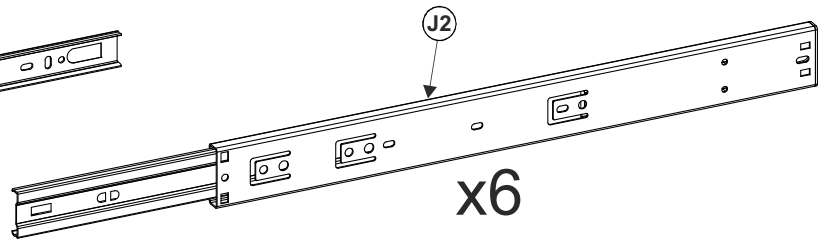
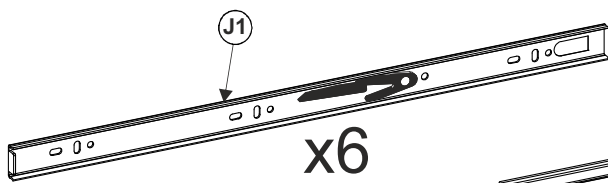
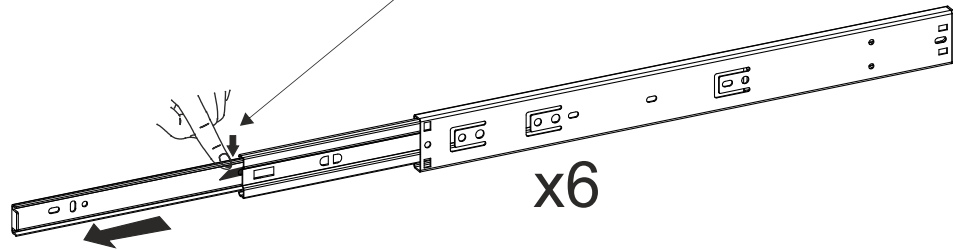
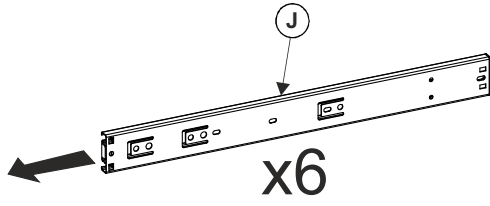
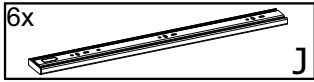
# UNIT



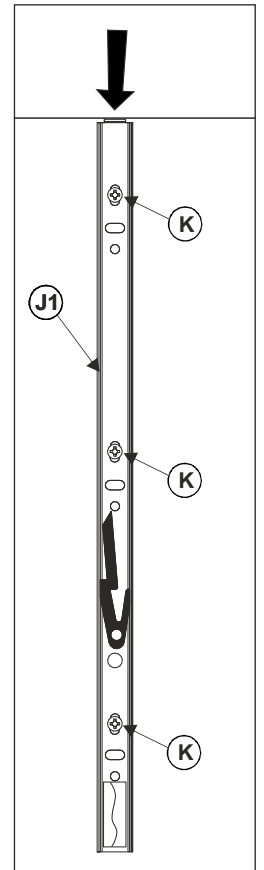
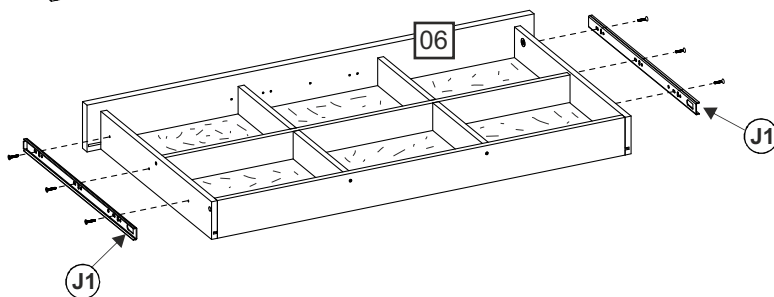
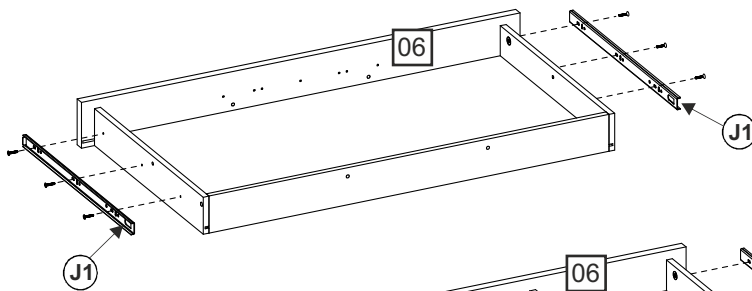
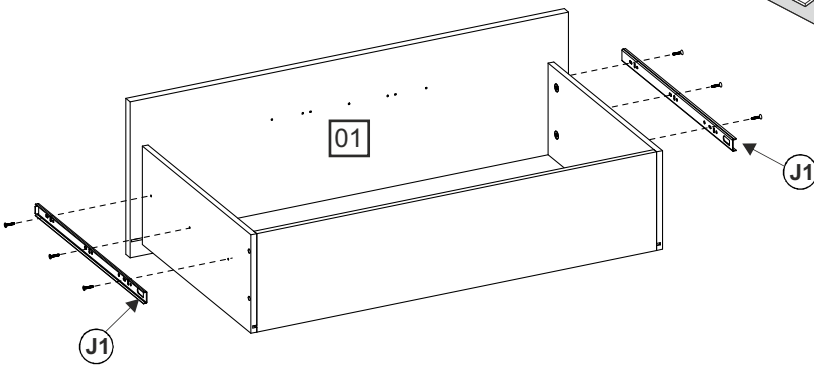


# UNIT

# 11

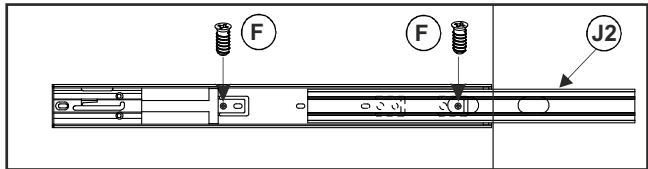
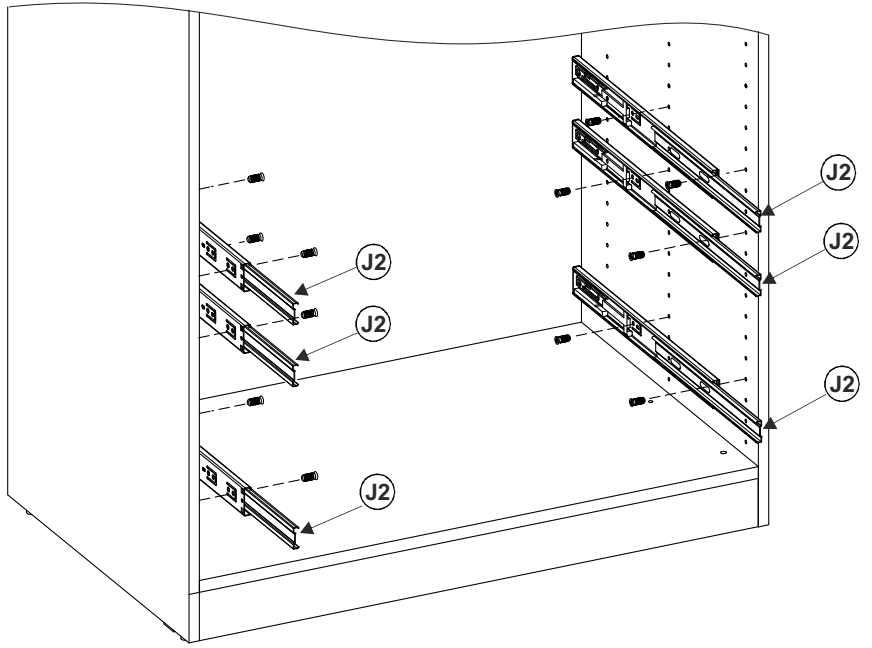
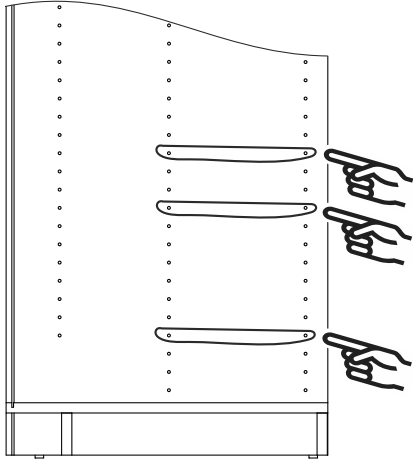
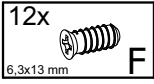
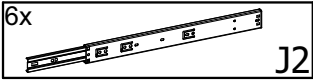


# 12

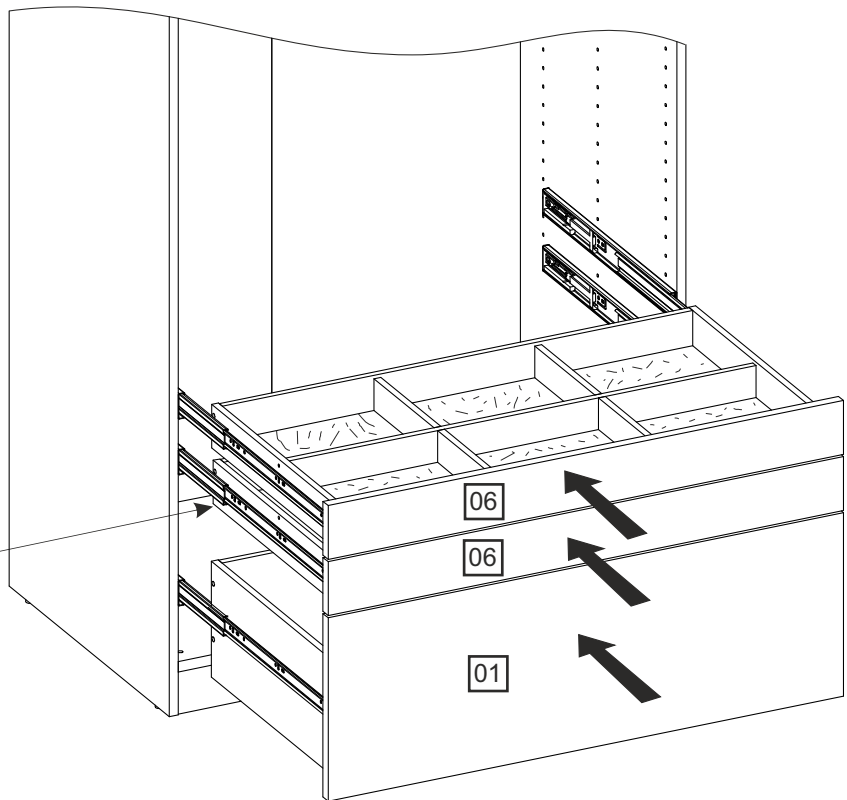
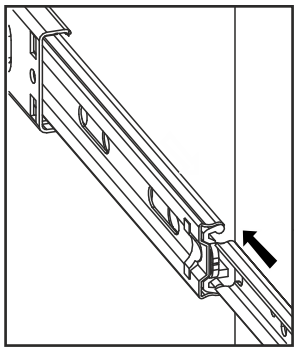


# UNIT

# 13

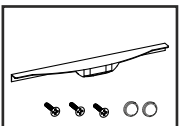
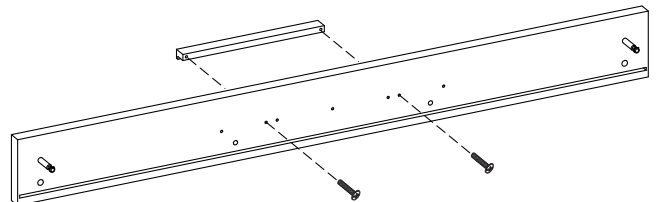
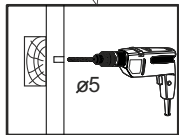
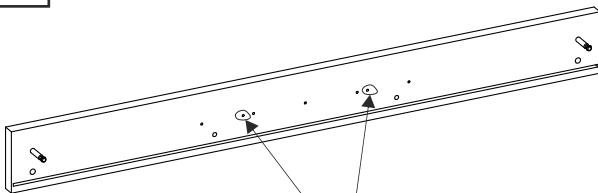
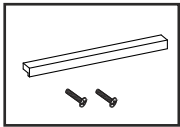
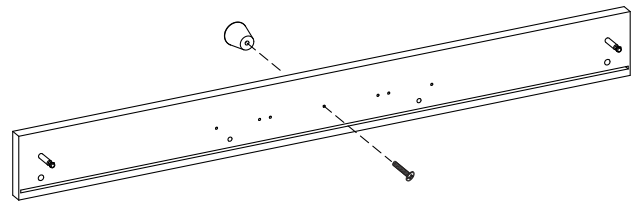
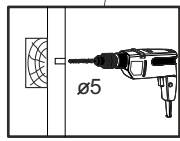
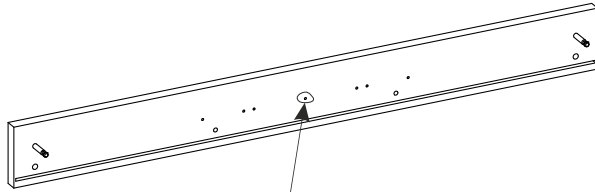
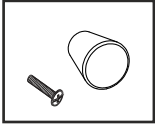
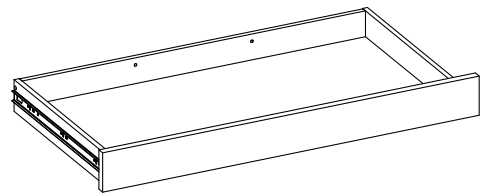
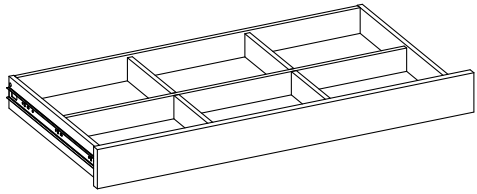


# 14

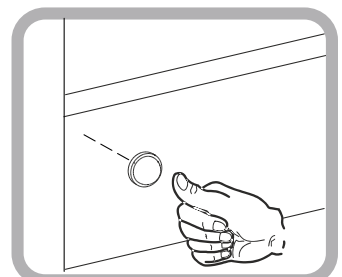
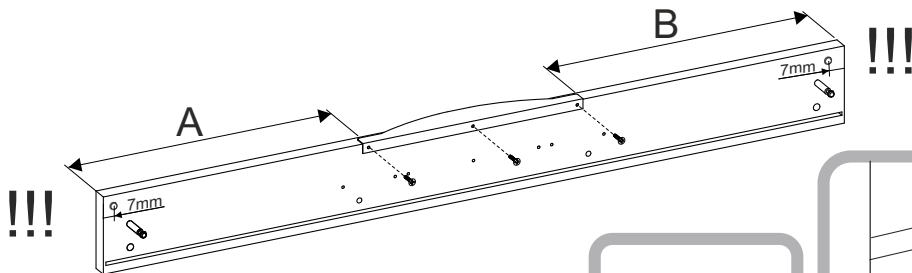




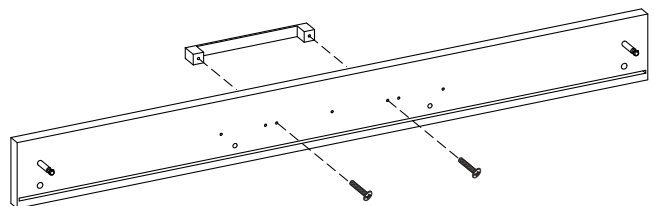
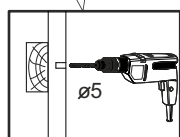
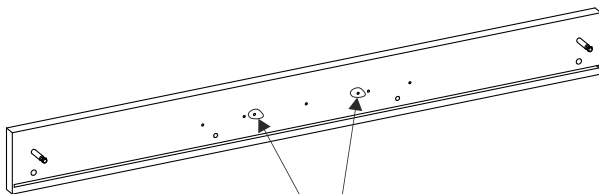
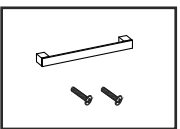
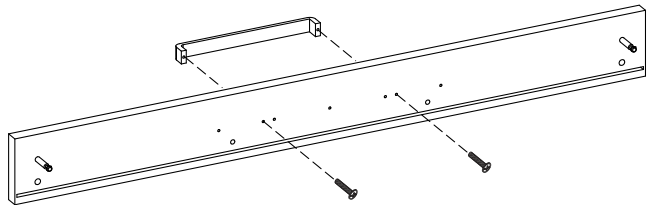
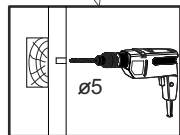
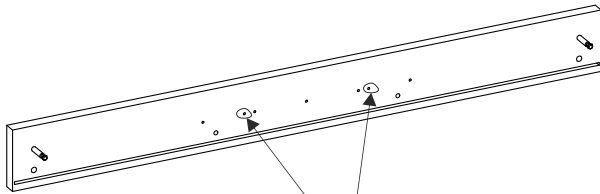
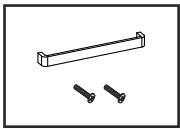
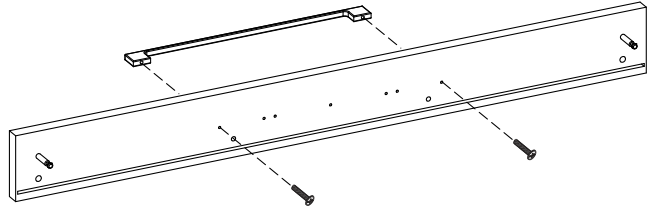
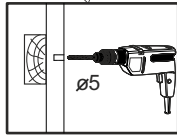
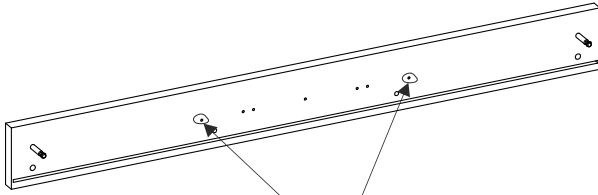
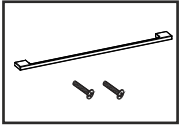
# UNIT



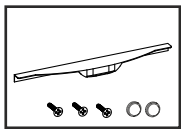
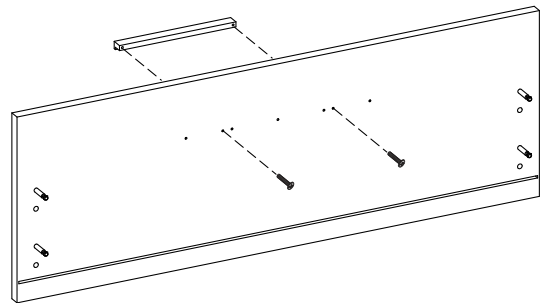
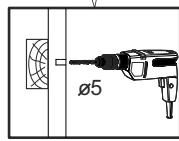
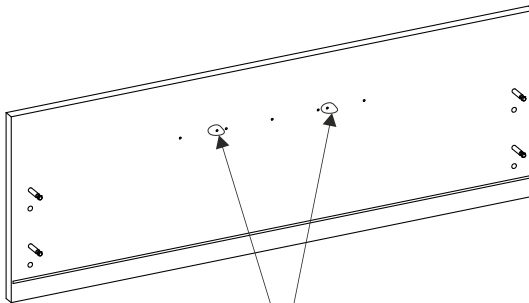
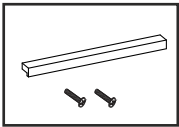
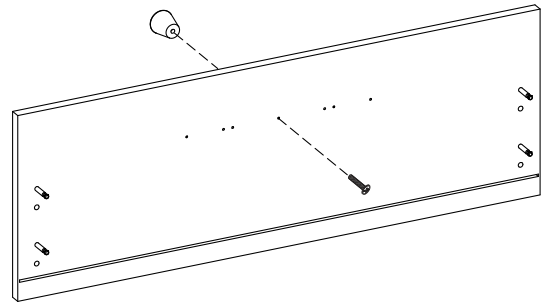
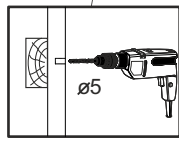
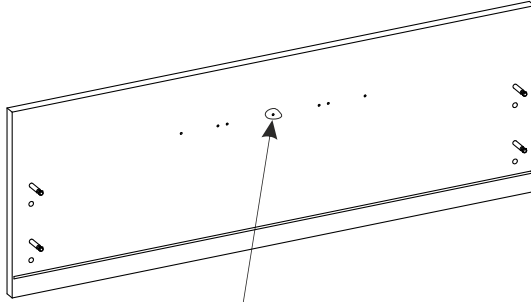
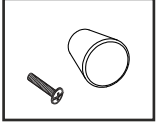
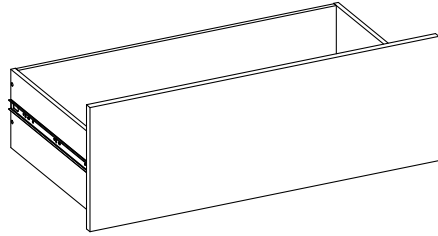
**A=B**



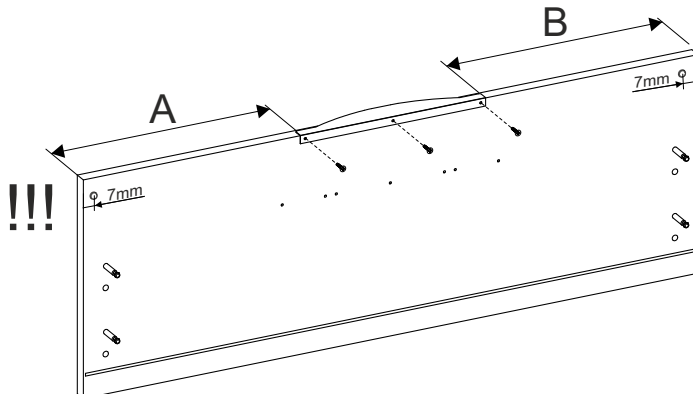
# UNIT



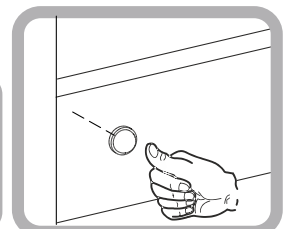
# UNIT



**A=B**



!!!



# UNIT

