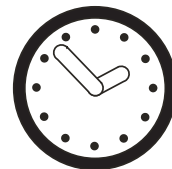
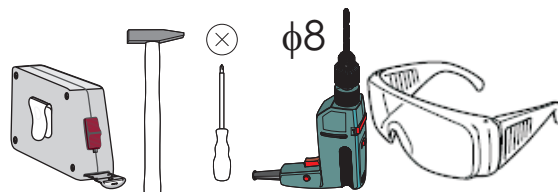
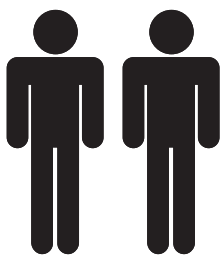
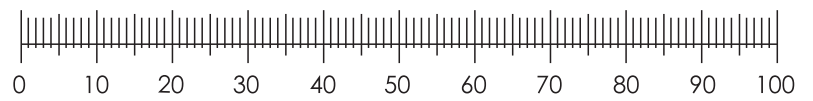
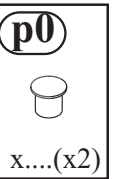
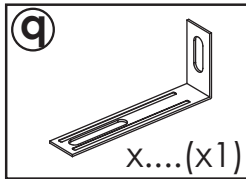
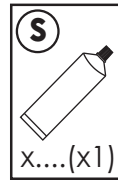
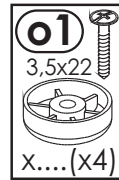
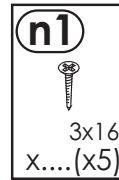
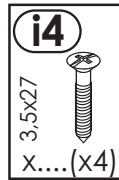
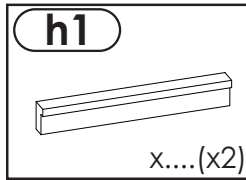
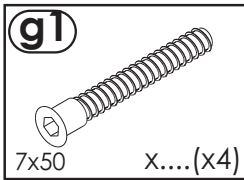
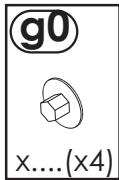
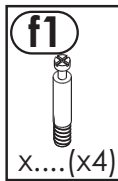
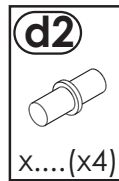
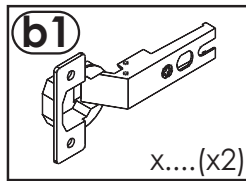
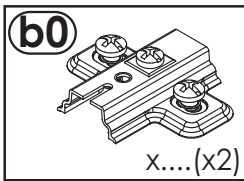
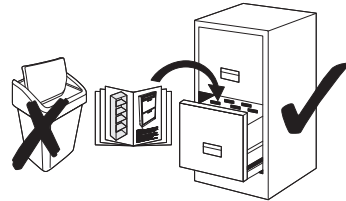
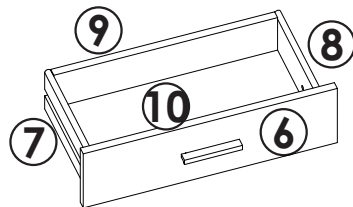
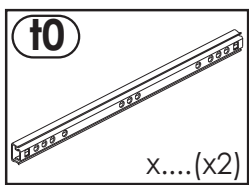
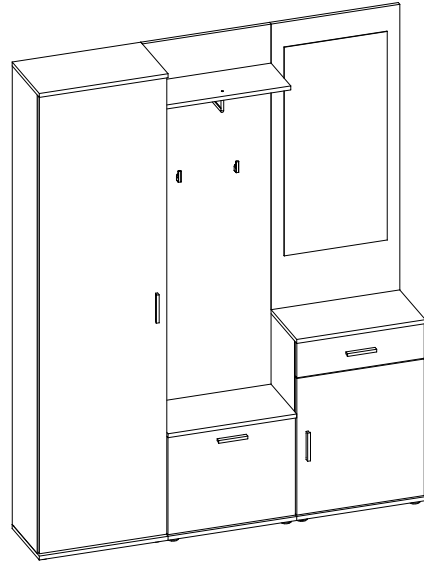
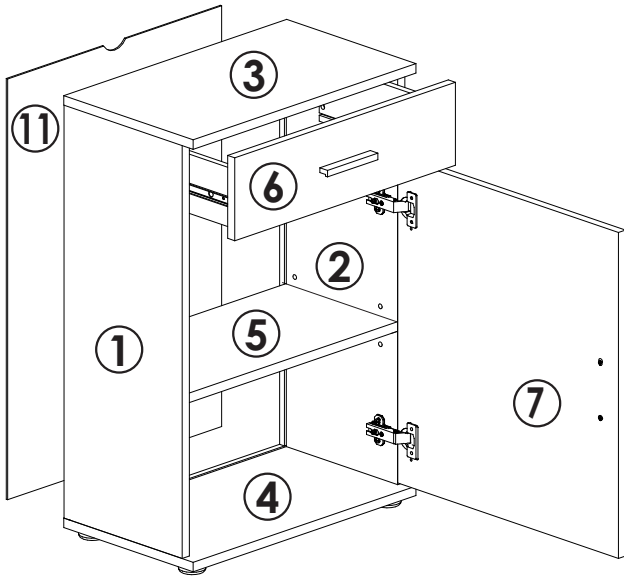


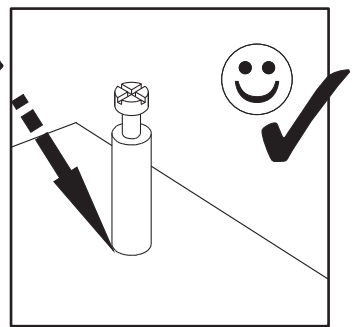
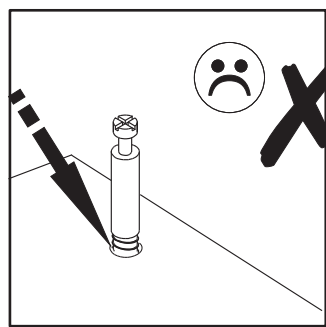
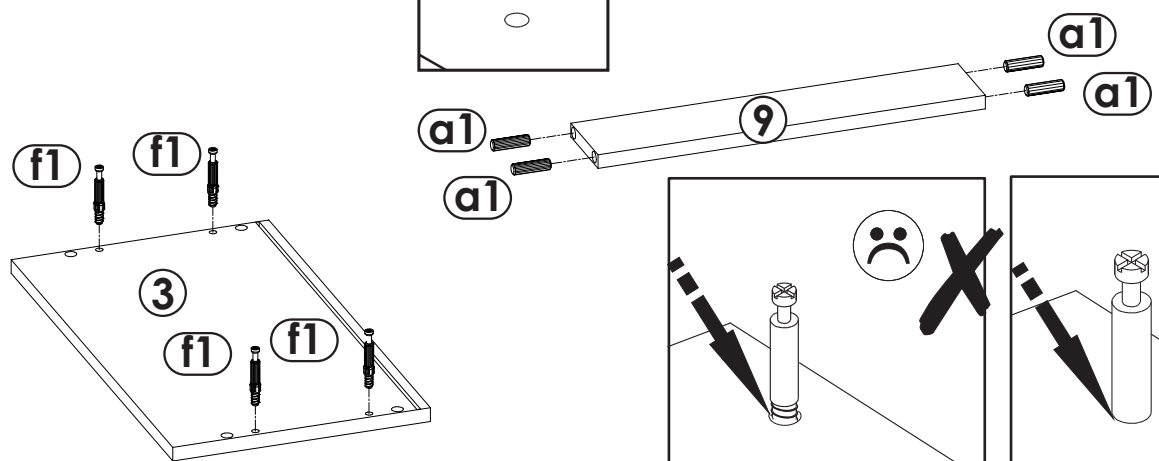
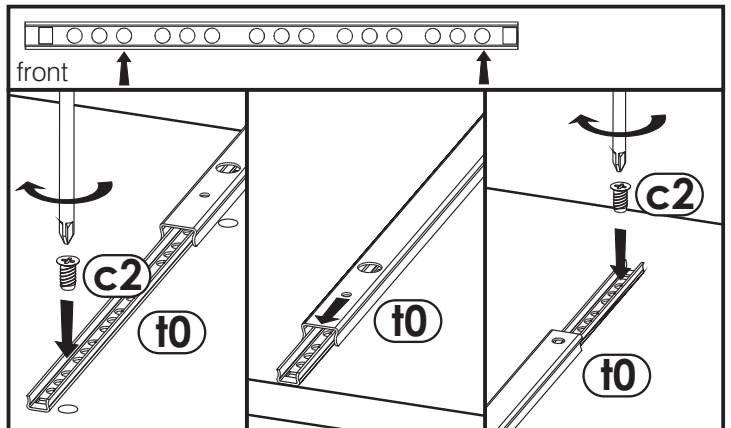
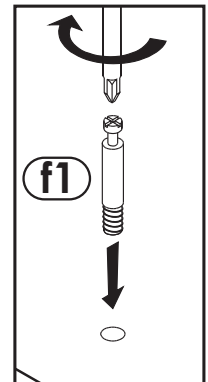
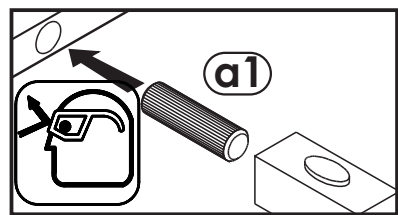
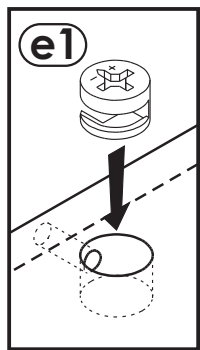
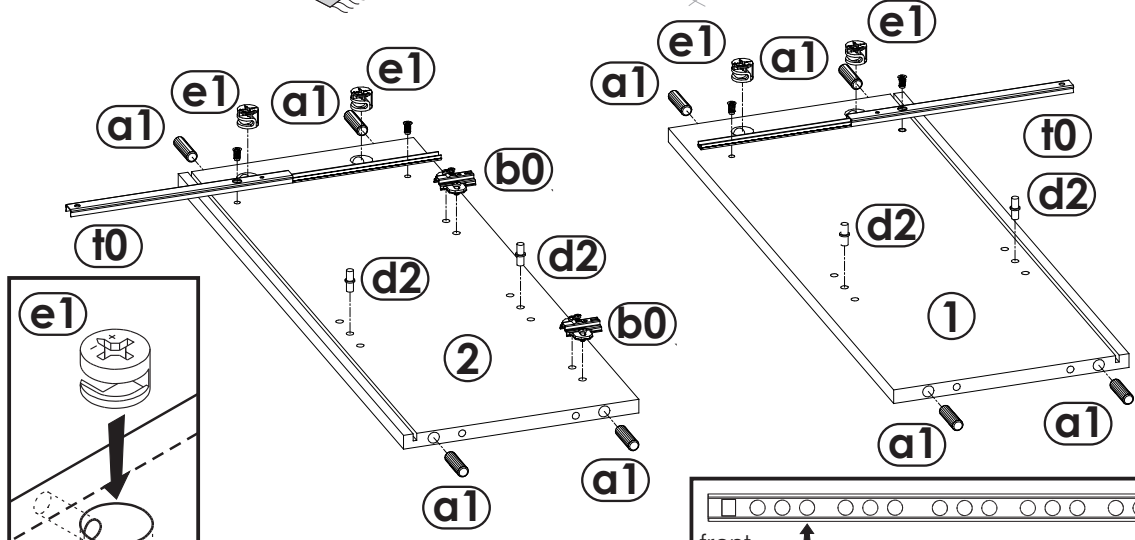
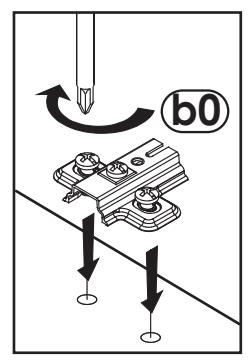
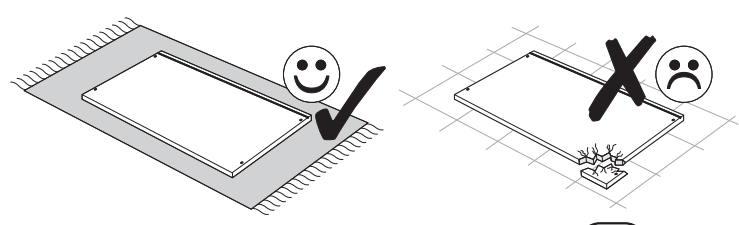
# MIA MAG01

T1

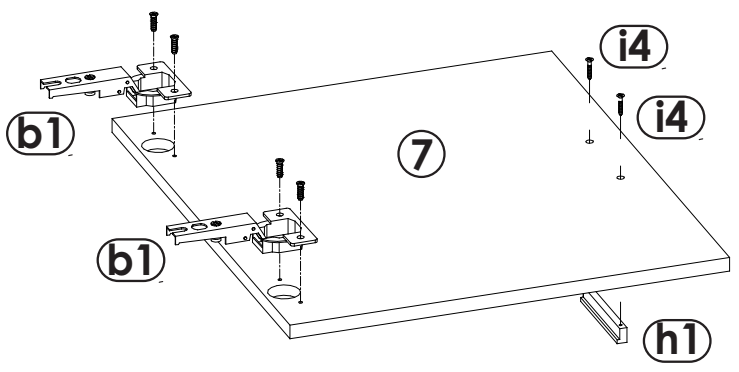
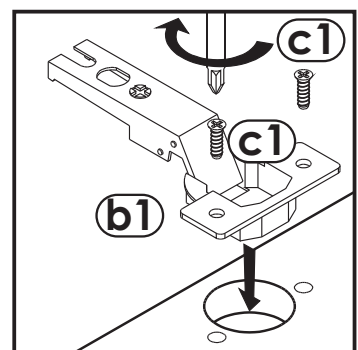


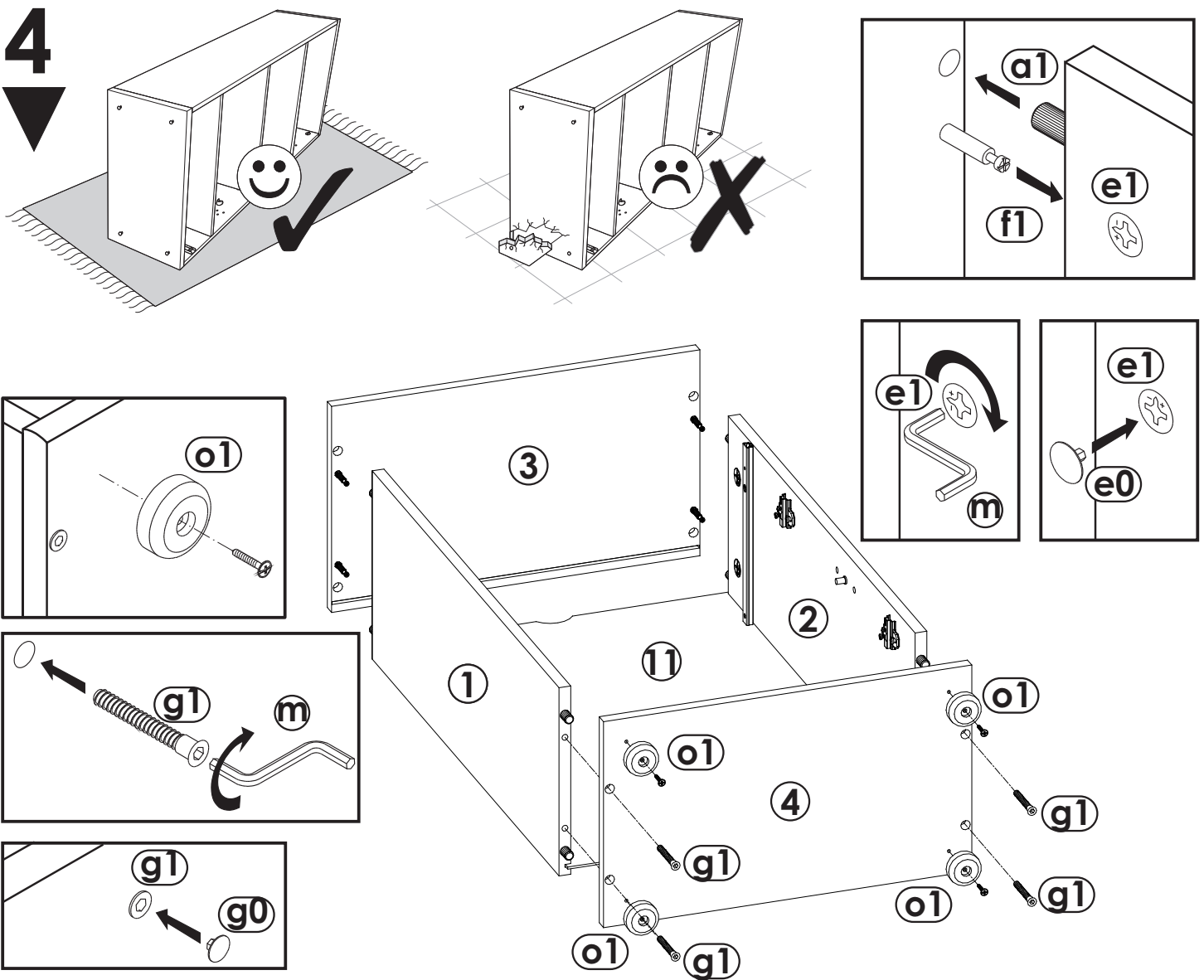
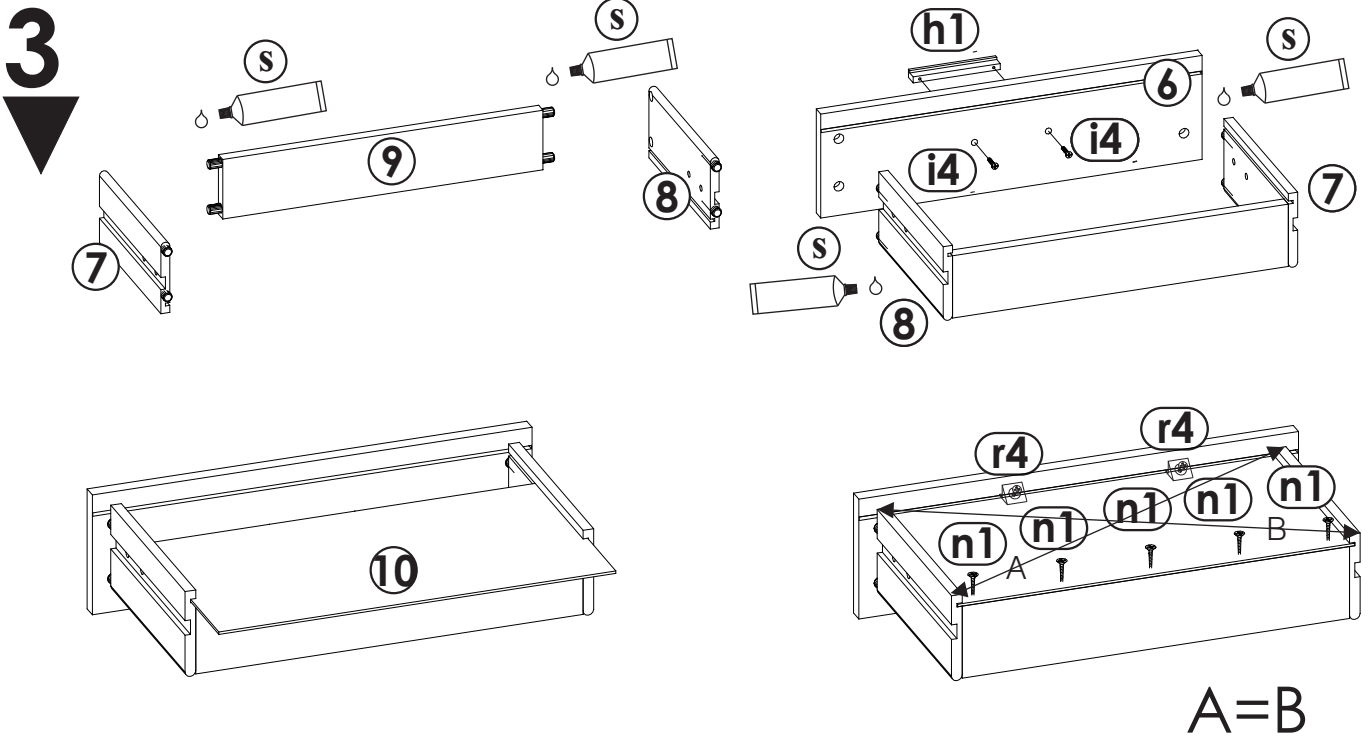
- 60 min.

1

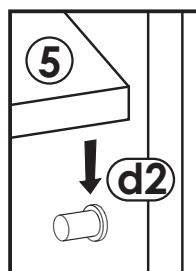
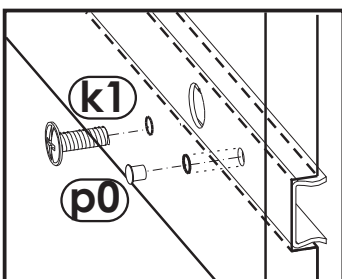
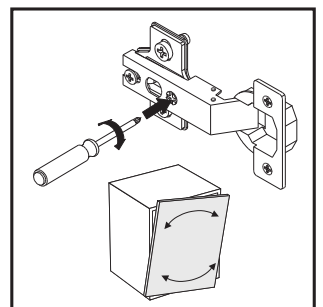
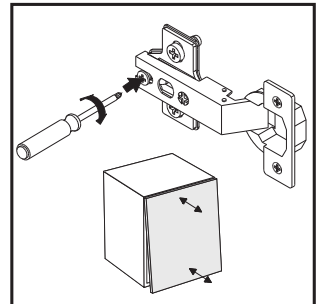
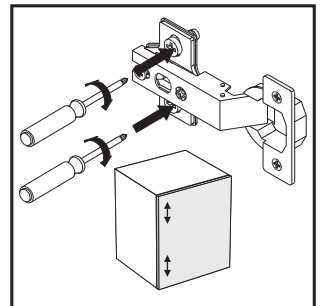
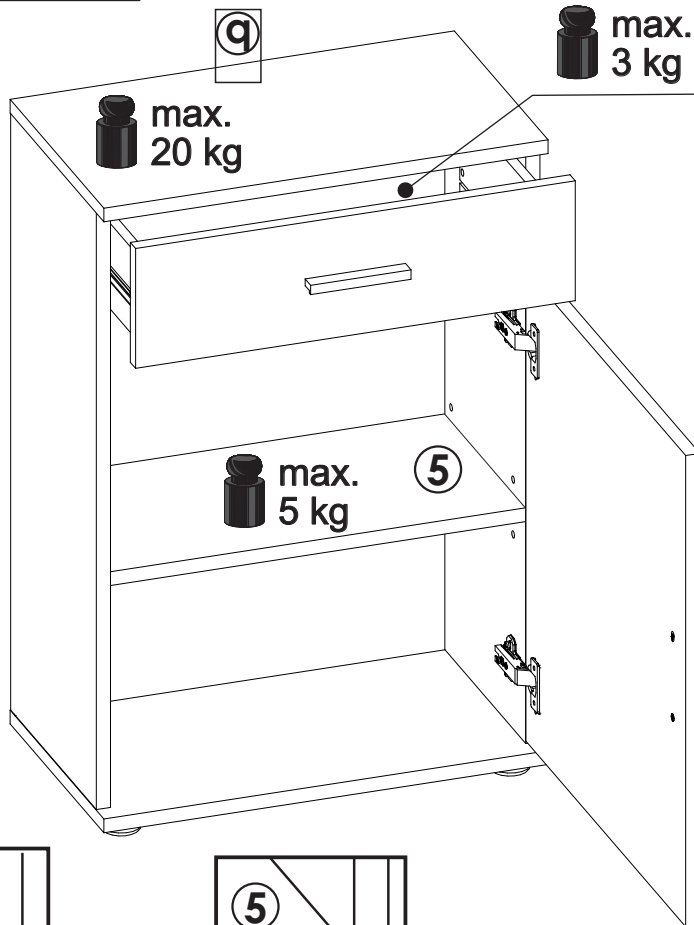
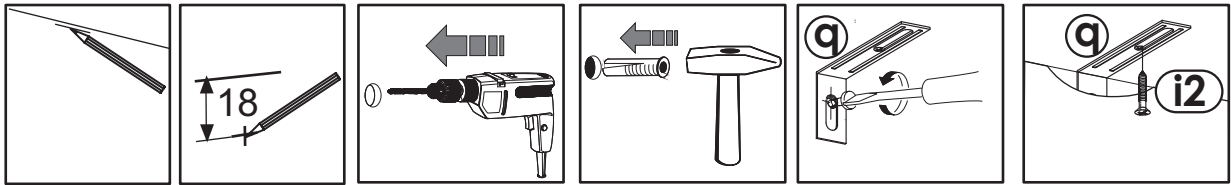
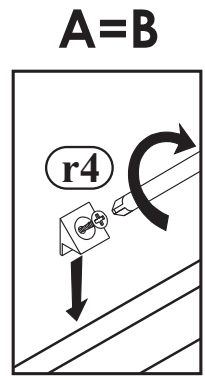
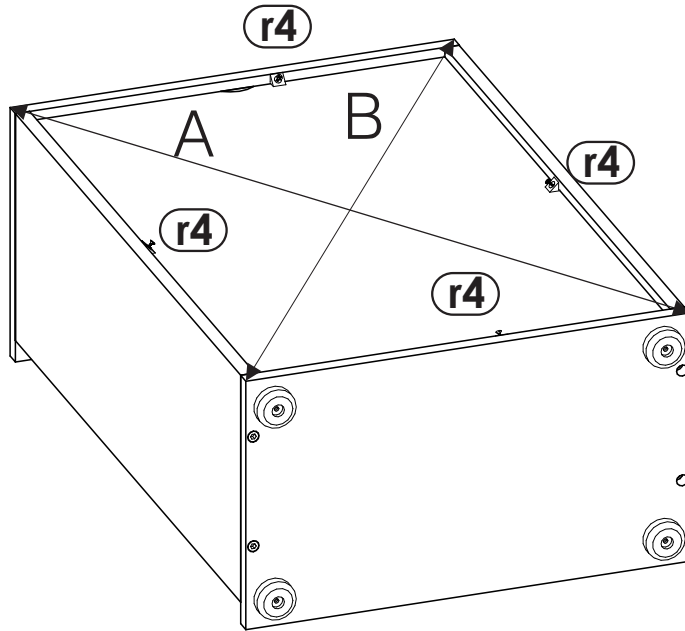


2



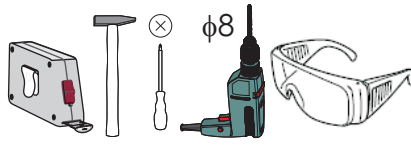
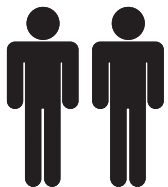
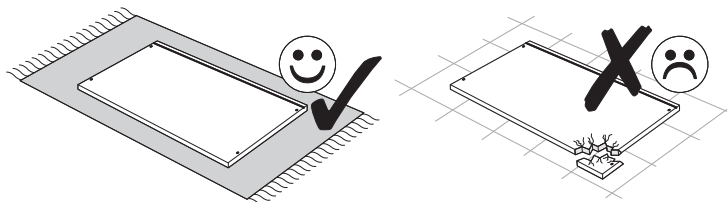
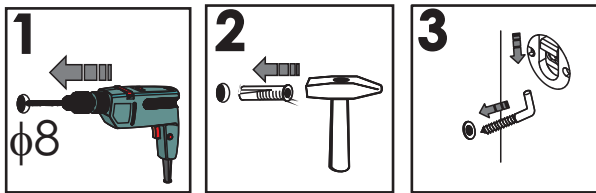
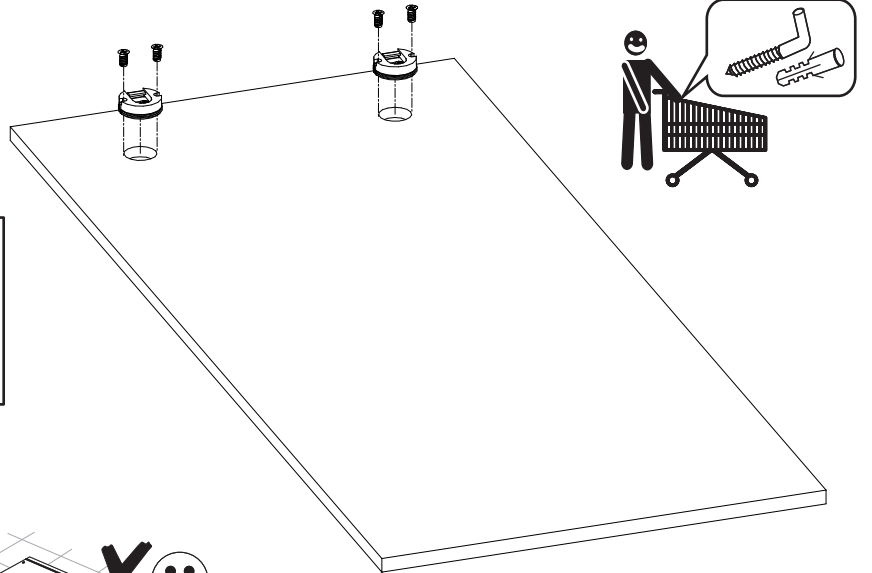
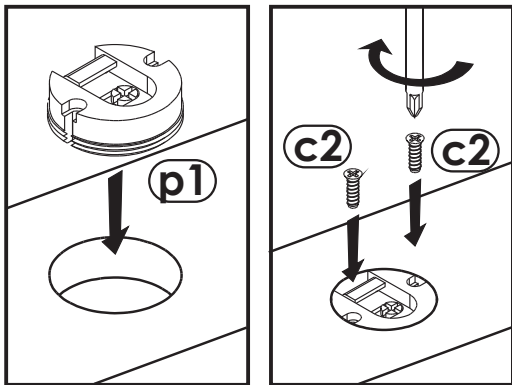
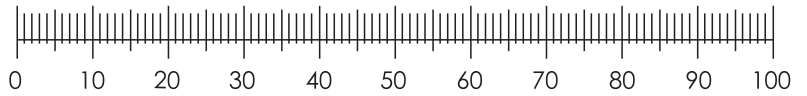
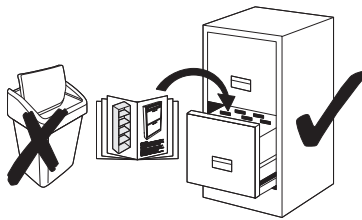
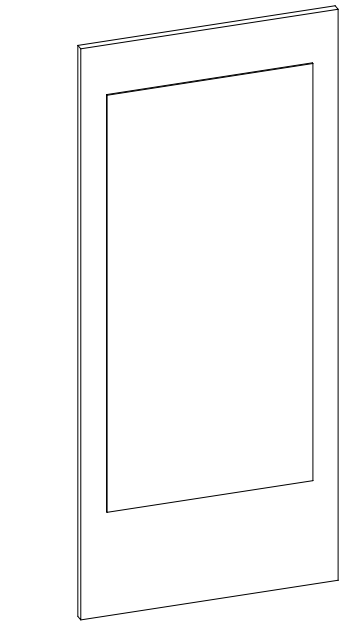
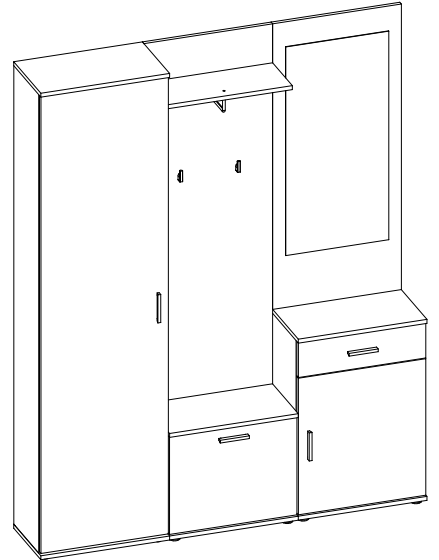
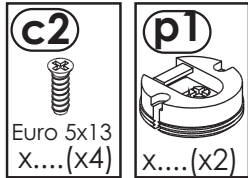


5



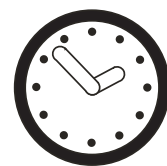
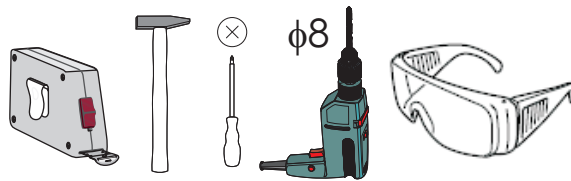
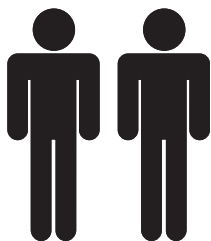
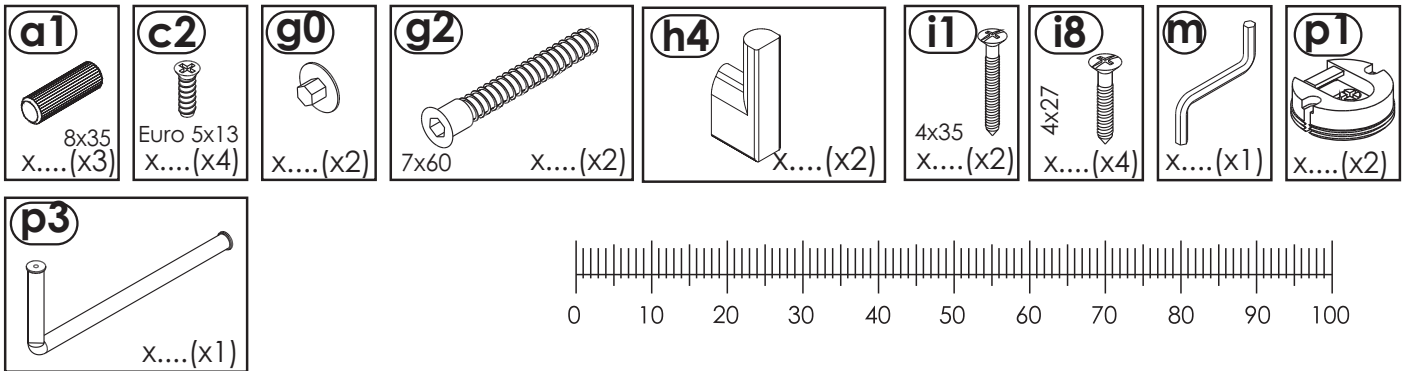
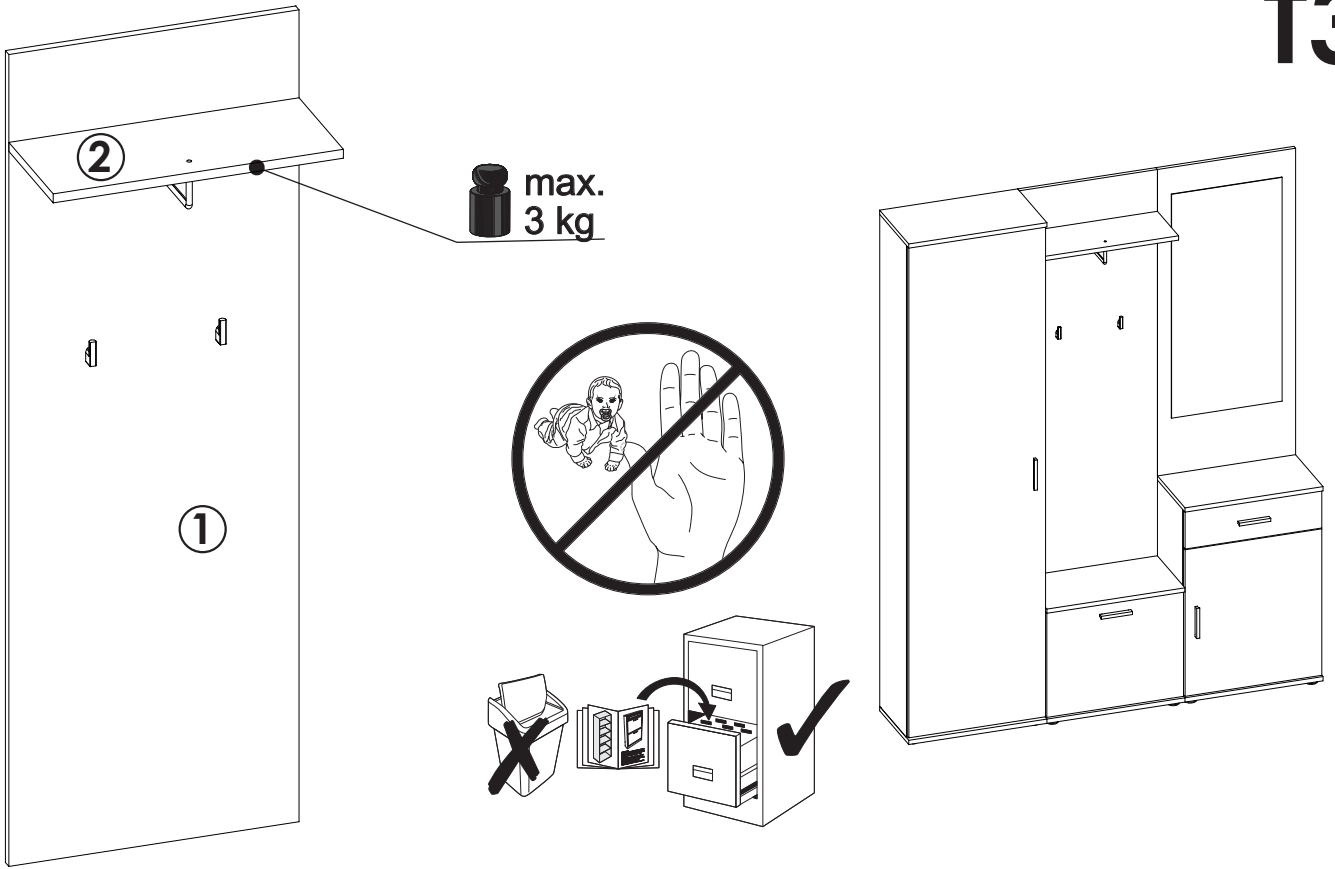
# MIA MAG 01

## T2



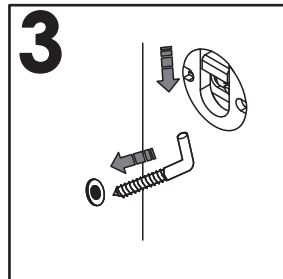
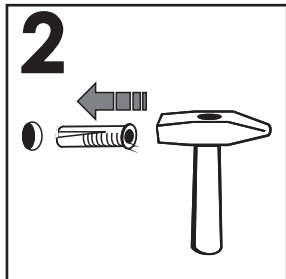
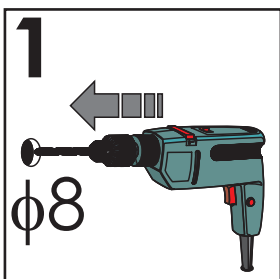
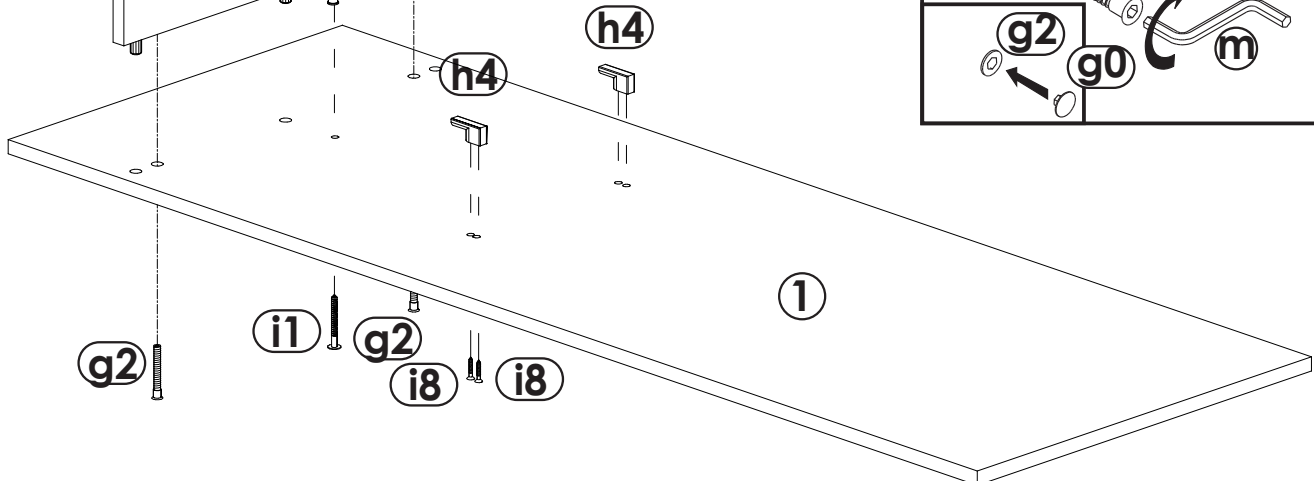
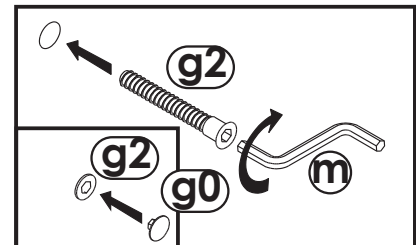
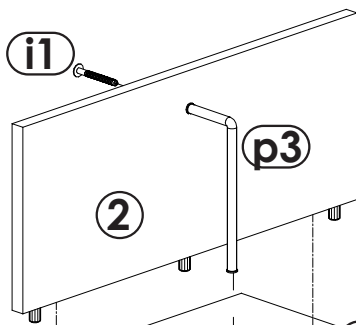
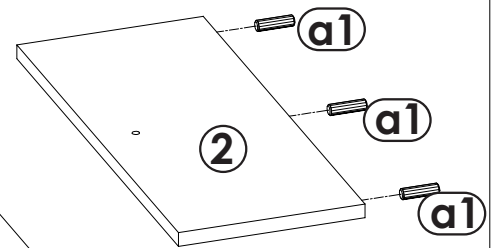
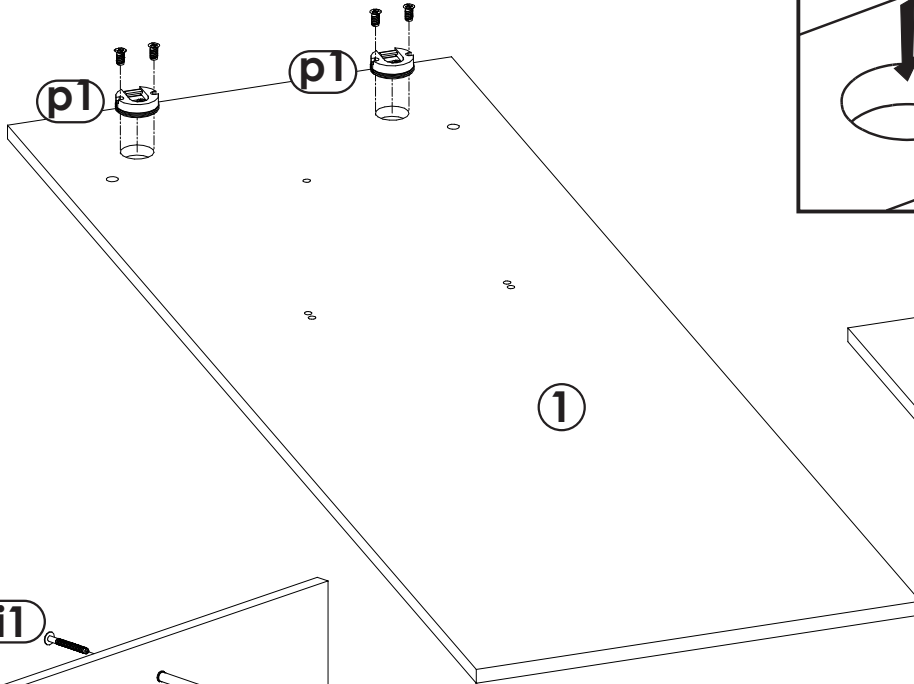
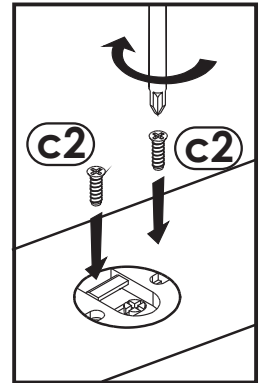
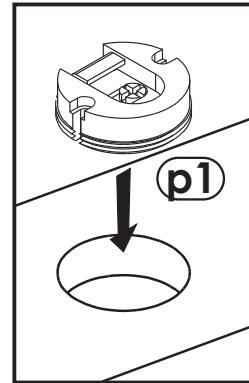
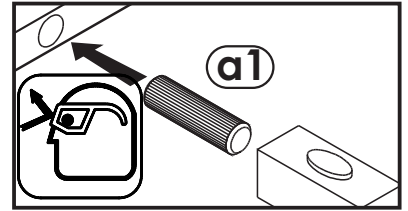
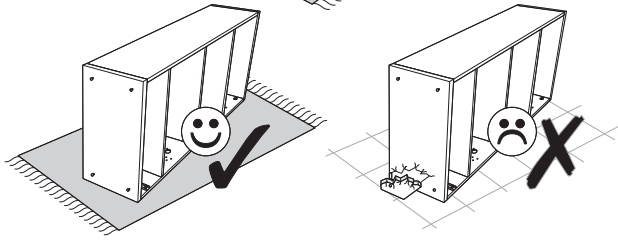
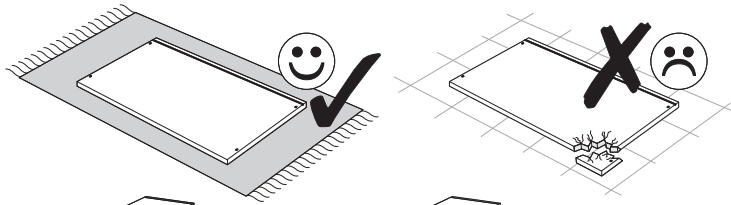
# MIA MAG01

T3



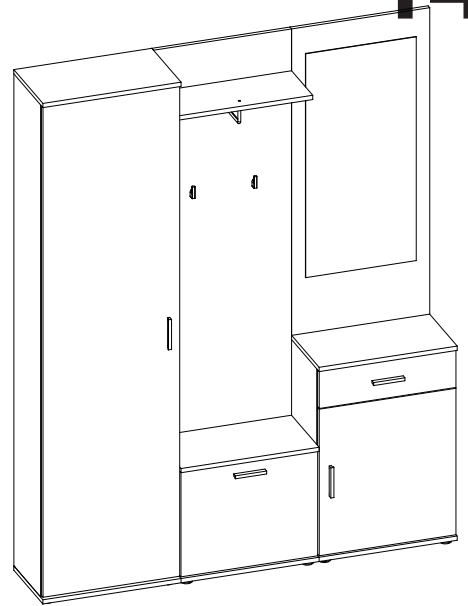
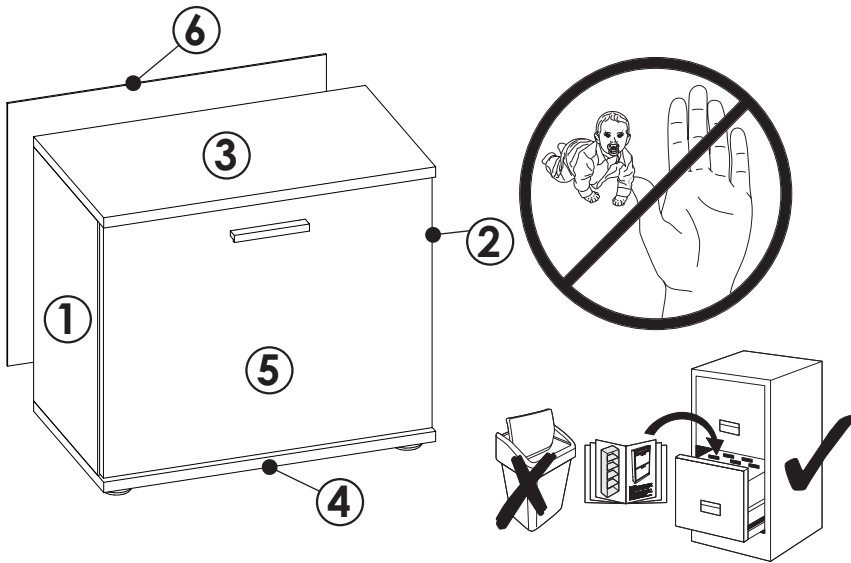
- 30 min.

1

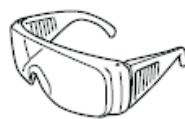
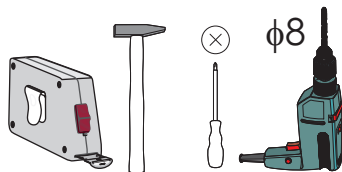
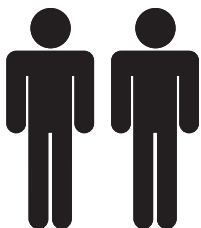


# MIA MAG01

T4



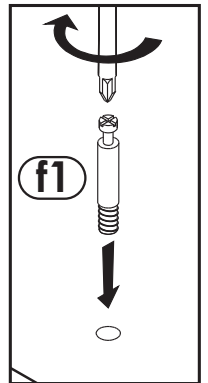
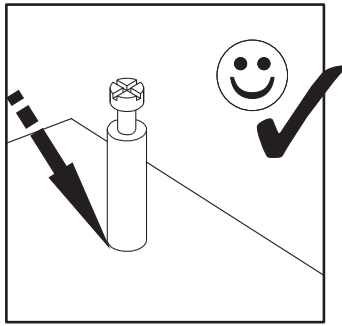
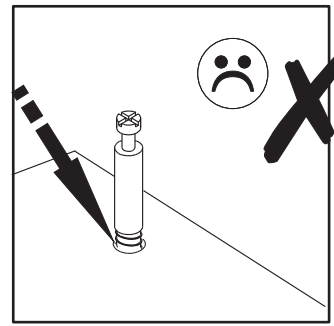
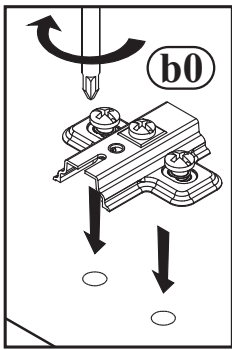
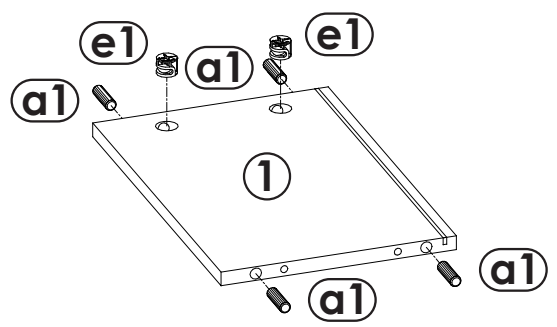
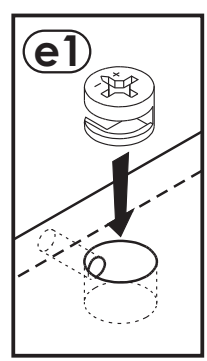
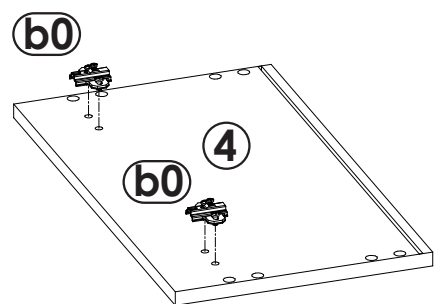
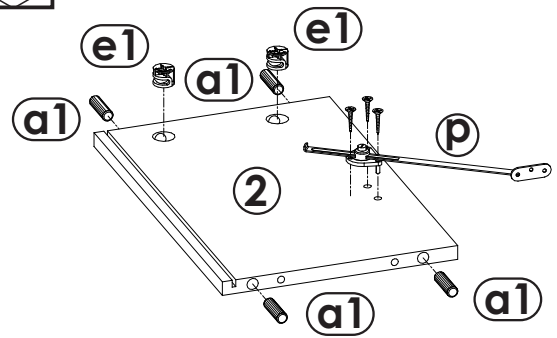
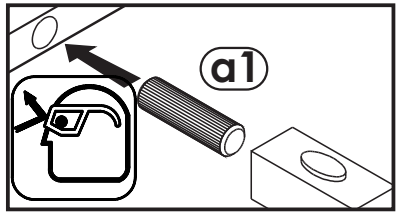
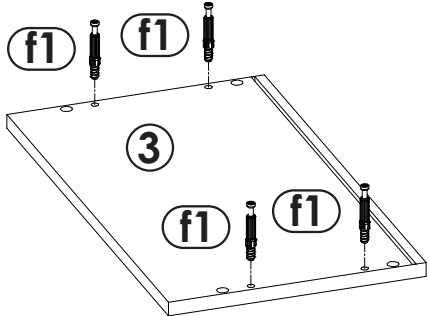
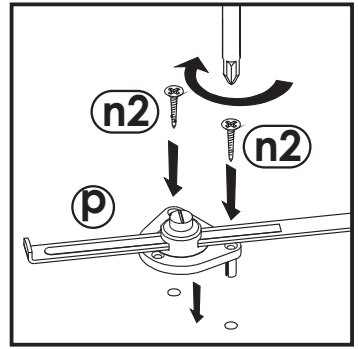
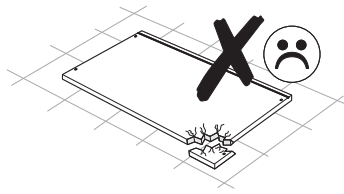
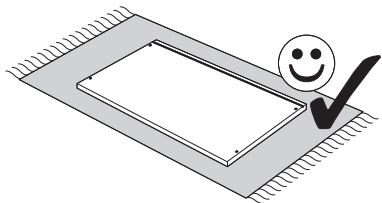
<b>a1</b> 8x35 x....(x8)	<b>b0</b> x....(x2)	<b>b3</b> x....(x2)	<b>c1</b> Euro 4x13 x....(x4)	<b>e0</b> x....(x4)	<b>e1</b> x....(x4)	<b>f1</b> x....(x4)	<b>g0</b> x....(x4)
<b>g1</b> 7x50 x....(x4)	<b>h1</b> x....(x1)	<b>i4</b> 3,5x27 x....(x2)	<b>m</b> x....(x1)	<b>n1</b> 3x16 x....(x3)	<b>n2</b> 3,5x16 x....(x3)	<b>o1</b> 3,5x22 x....(x4)	<b>p</b> x....(x1)
<b>r4</b> x....(x4)	<b>i2</b> 4x16 x....(x1)	<b>q</b> x....(x1)					



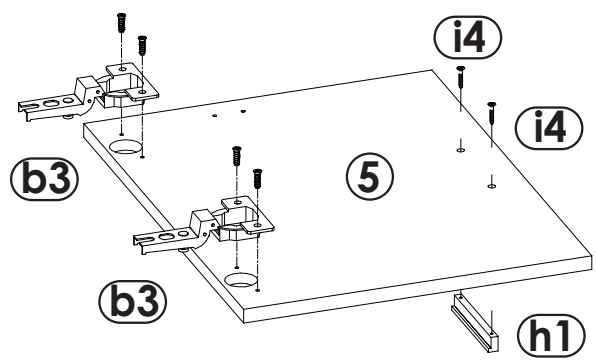
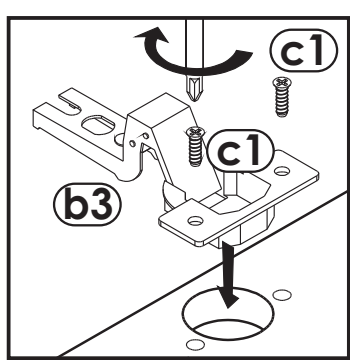
- 30 min.



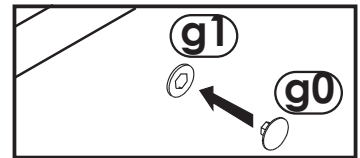
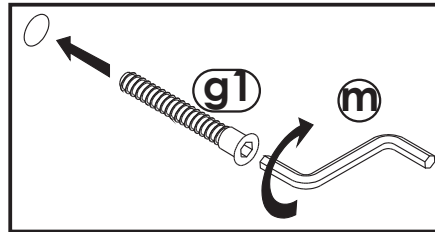
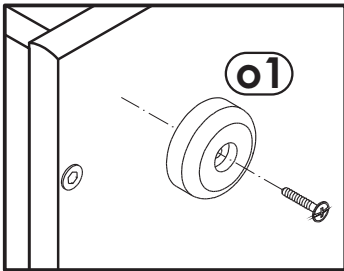
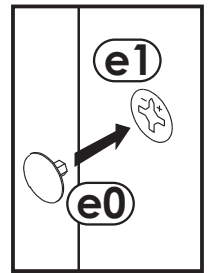
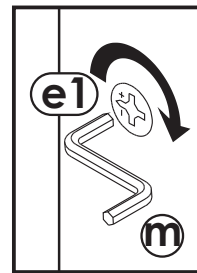
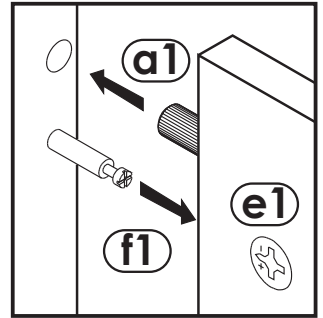
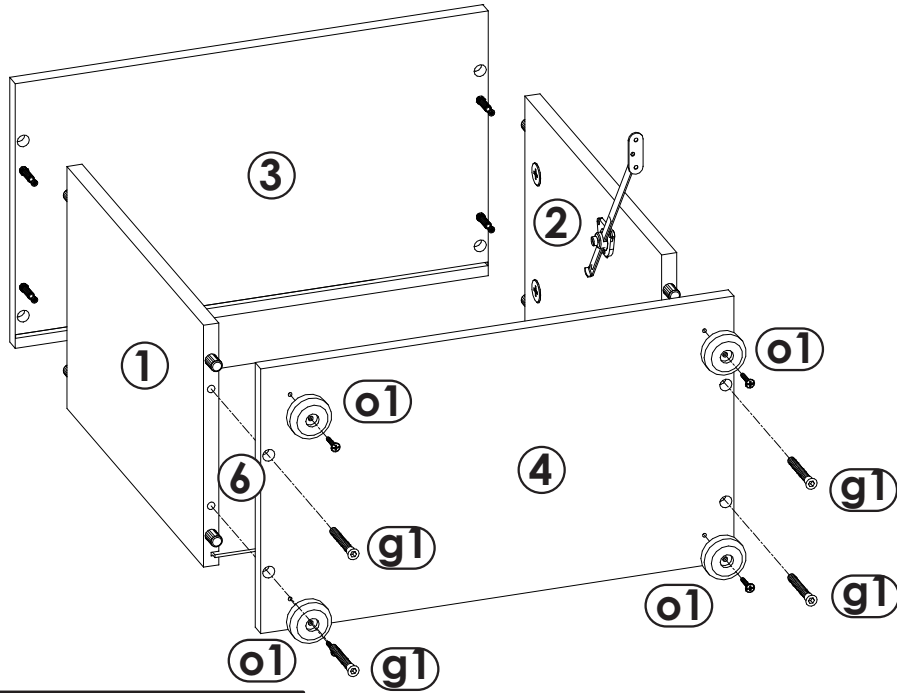
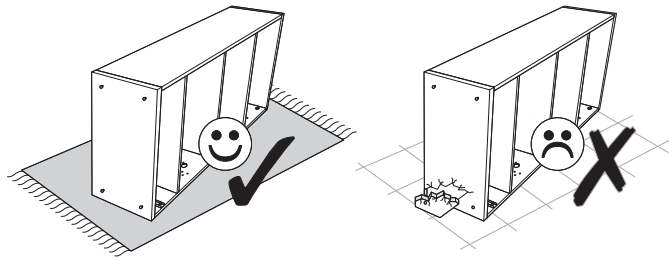
1



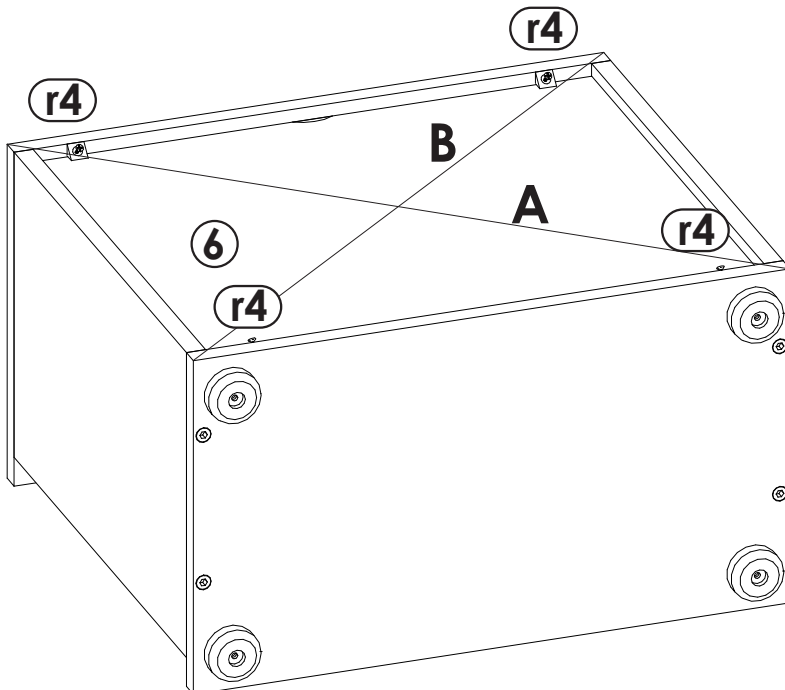
2



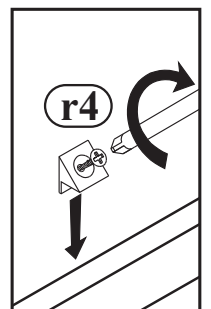
# 3



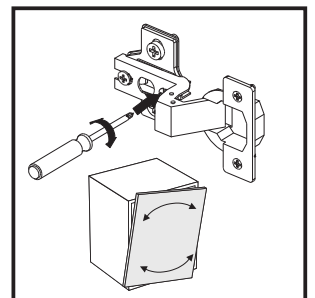
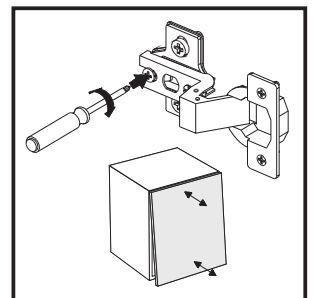
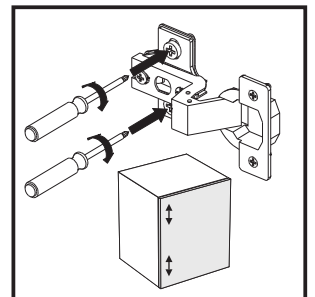
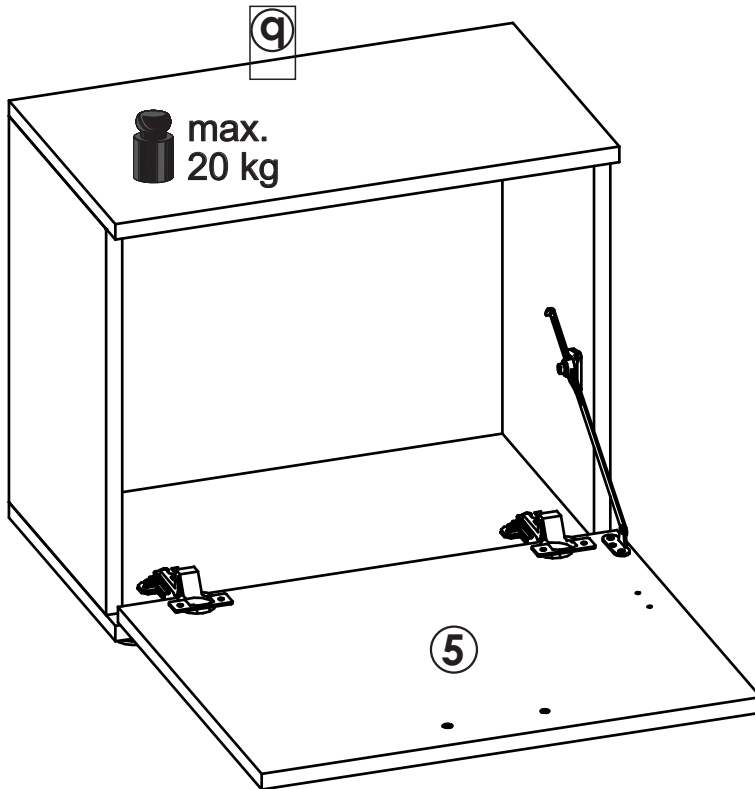
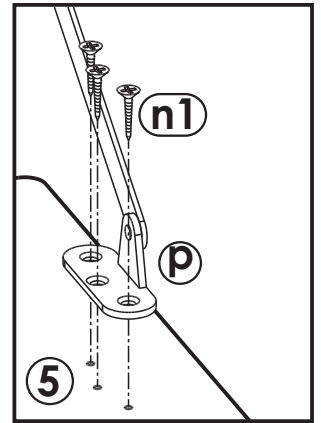
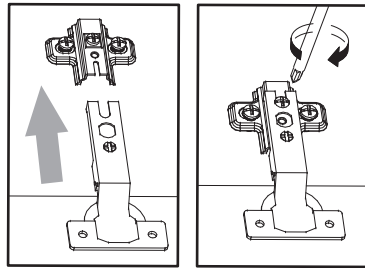
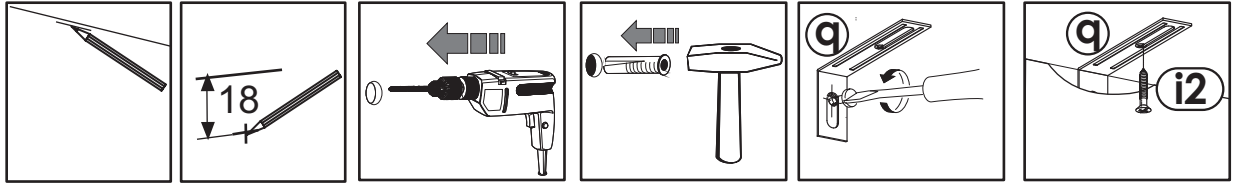
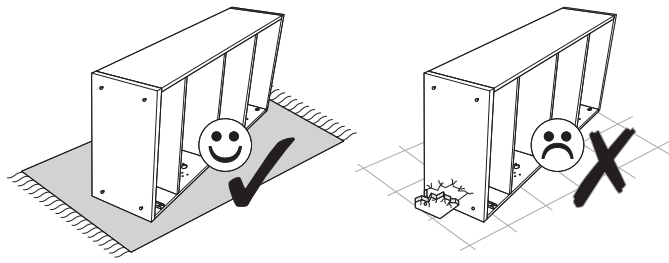
# 4



A=B

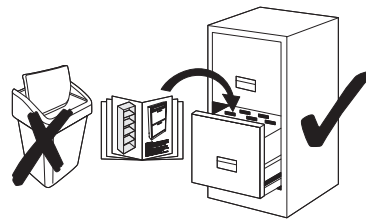
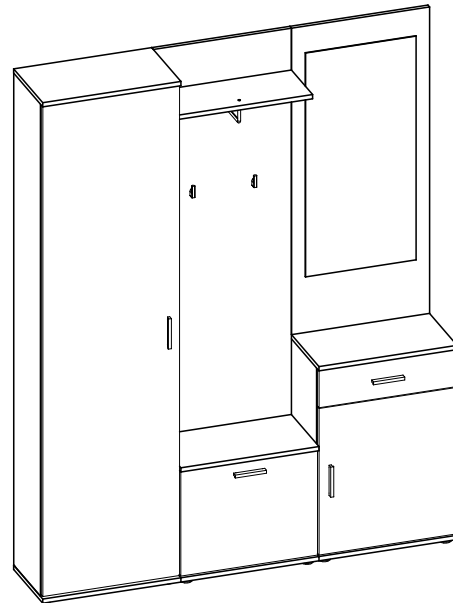
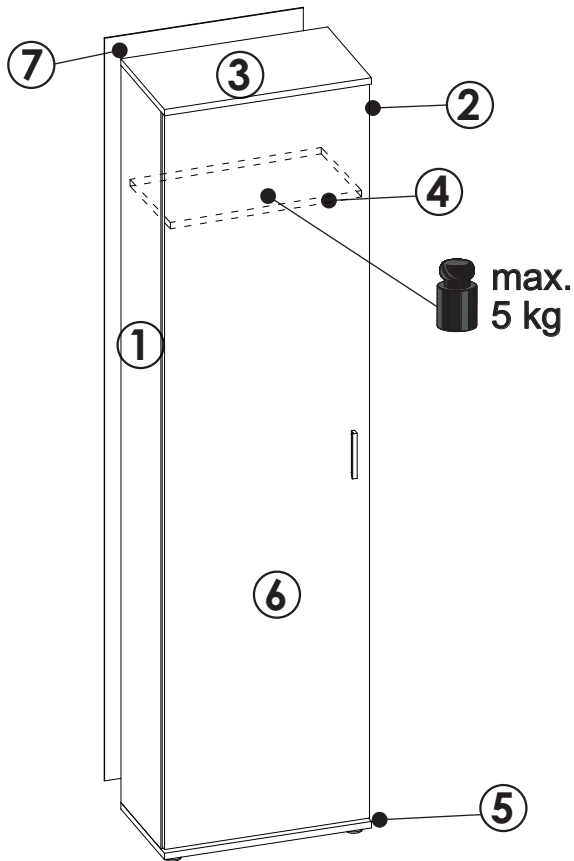


5

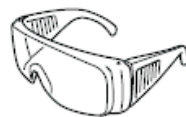
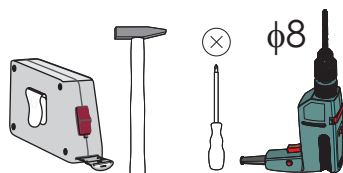
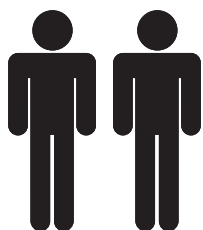


# MIA MAG01

T5

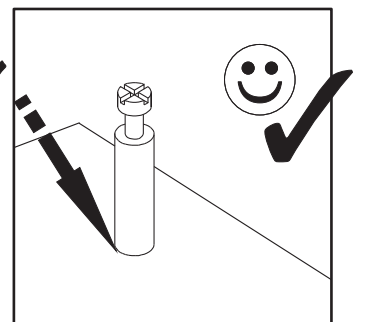
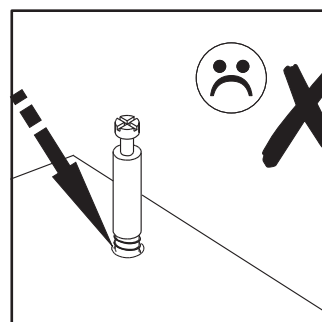
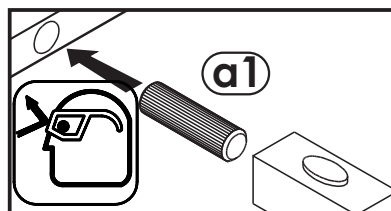
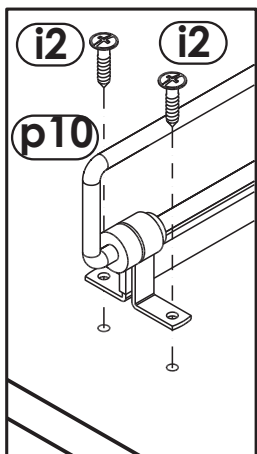
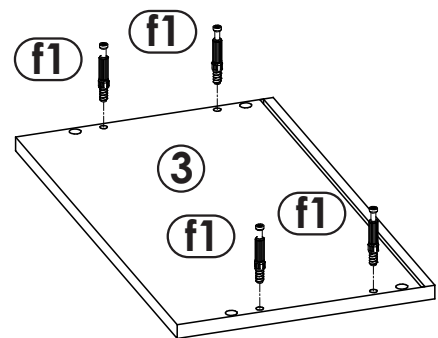
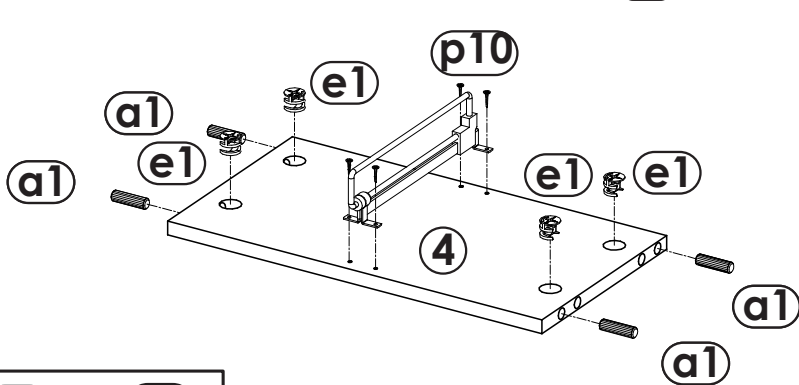
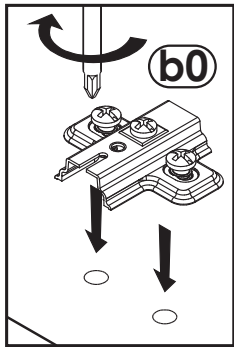
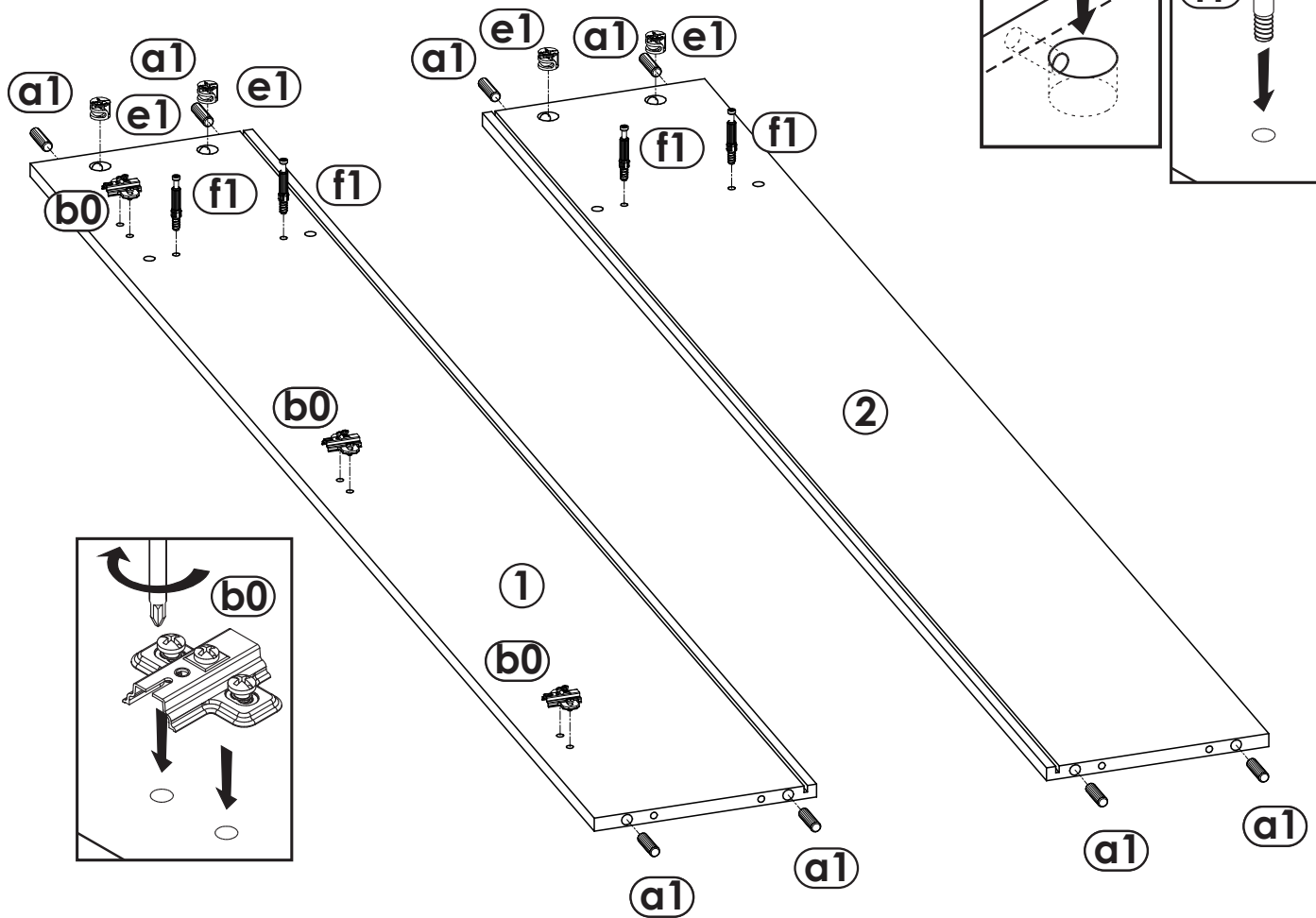
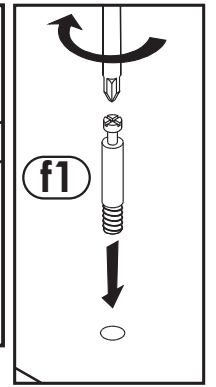
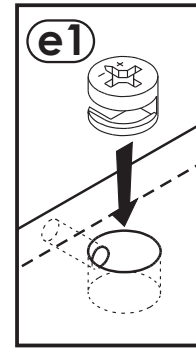
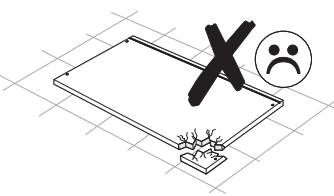
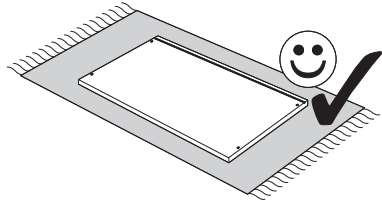


<b>a1</b>  8x35 x....(x12)	<b>b0</b>  x....(x3)	<b>b1</b>  x....(x3)	<b>c1</b>  Euro 4x13 x....(x6)	<b>e0</b>  x....(x8)	<b>e1</b>  x....(x8)	<b>f1</b>  x....(x8)	<b>h1</b>  x....(x1)
<b>i2</b>  4x16 x....(x5)	<b>i4</b>  3.5x27 x....(x2)	<b>m</b>  x....(x1)	<b>r4</b>  x....(x10)	<b>p10</b>  L-250 x....(x1)	<b>g0</b>  x....(x4)	<b>g1</b>  7x50 x....(x4)	<b>q</b>  x....(x1)
<b>o1</b>  3.5x22 x....(x4)							

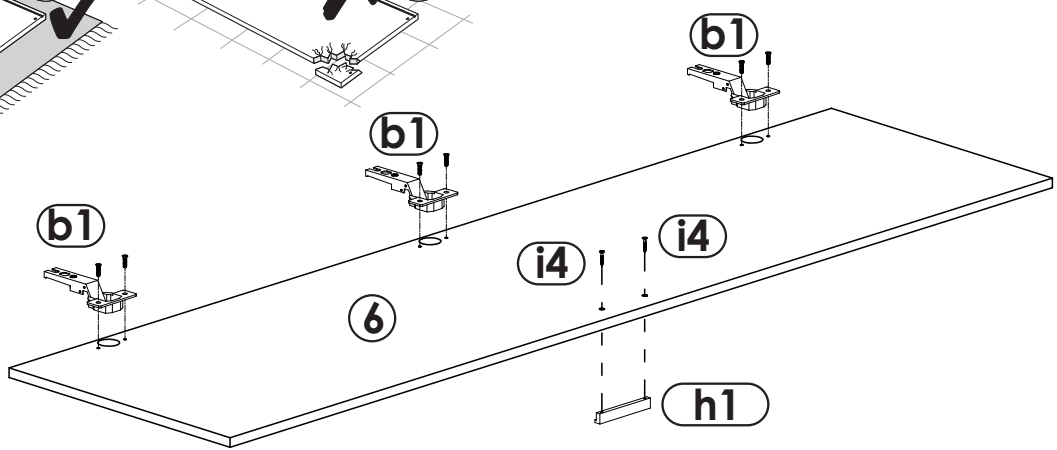
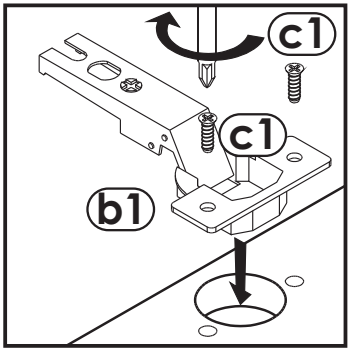
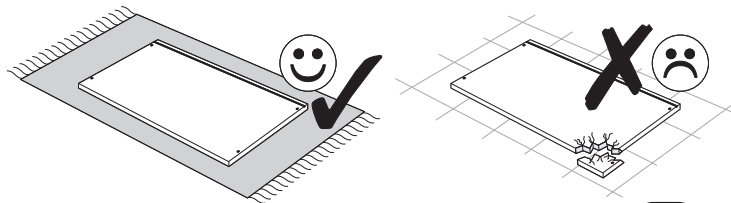


- 30 min.

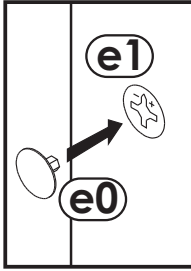
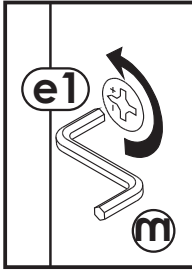
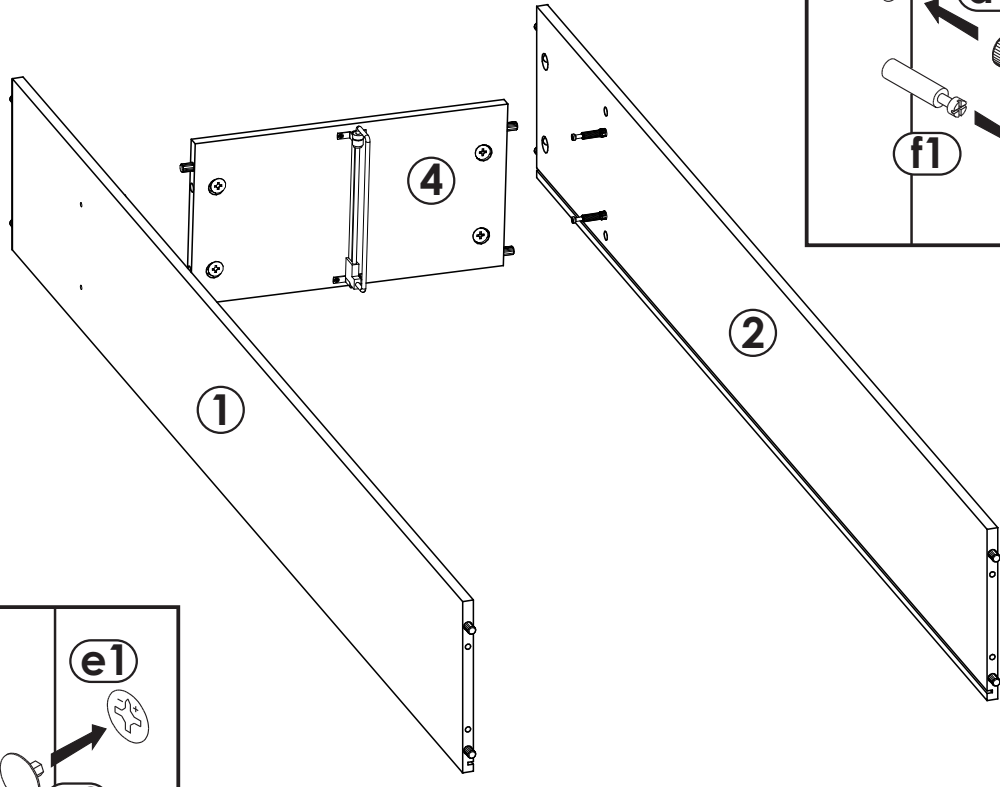
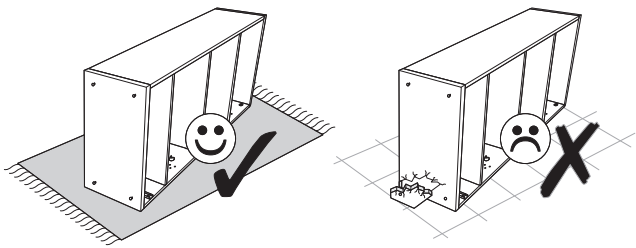
1



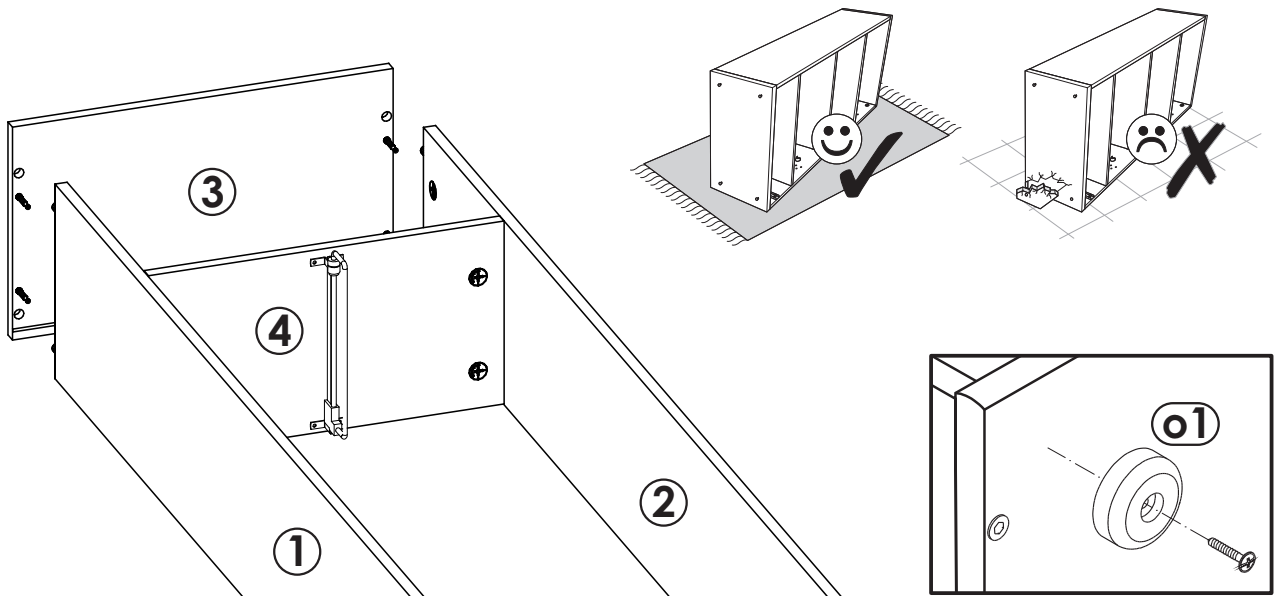
2



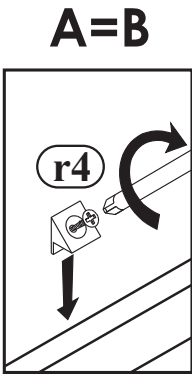
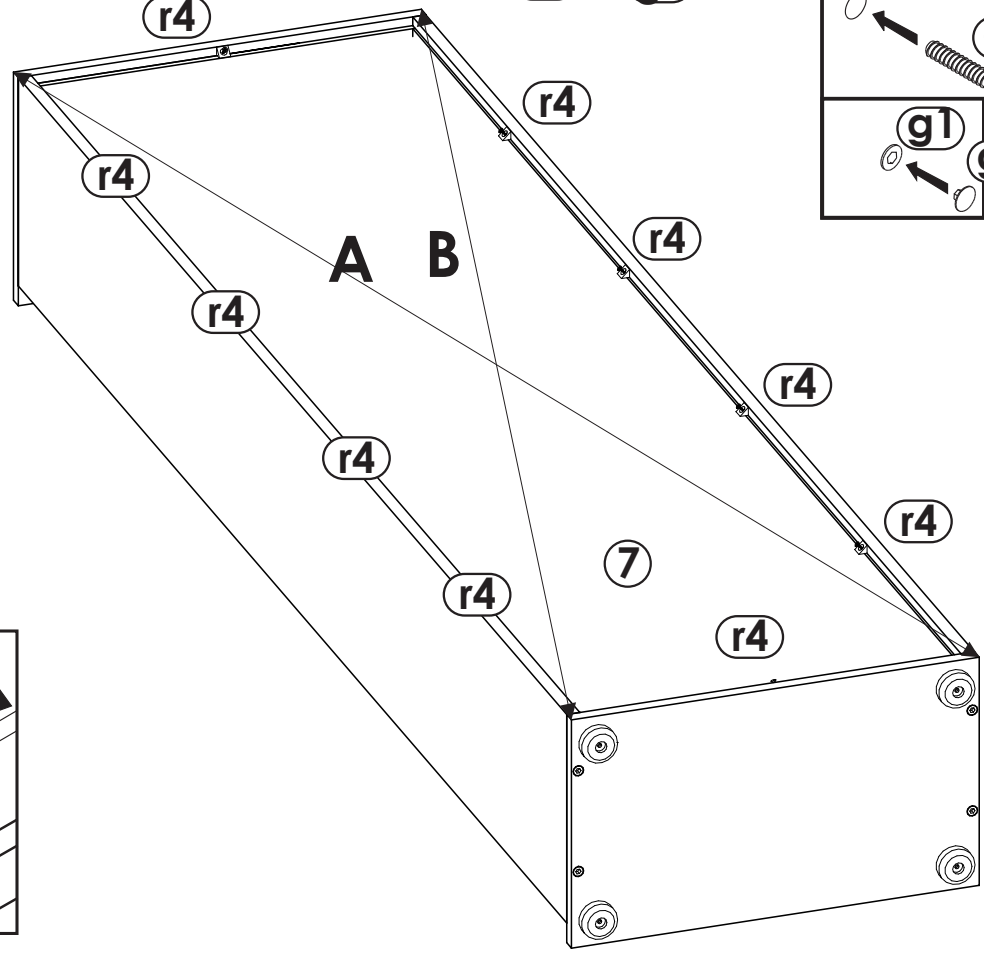
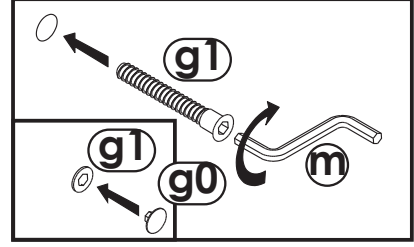
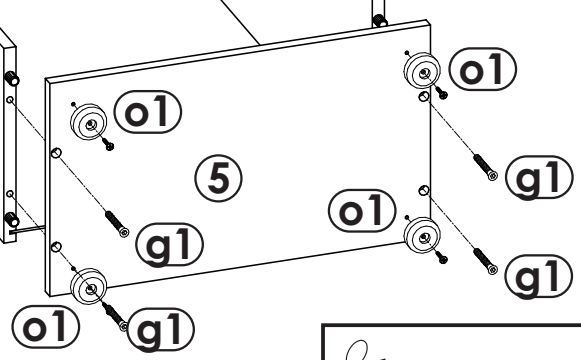
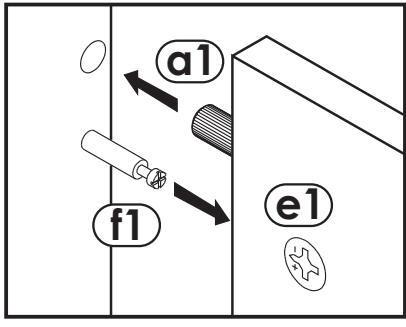
3



4



5



6  
▼

