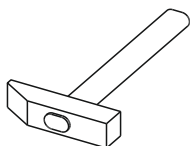
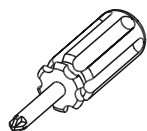
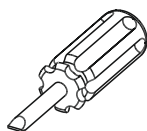
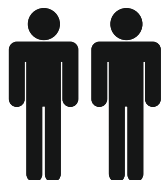
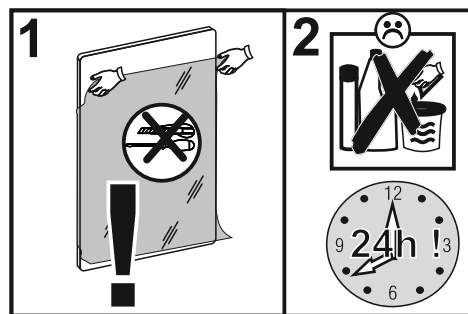


TORONTO TOT05

embra

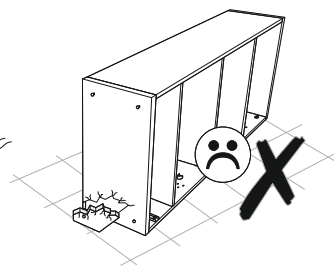
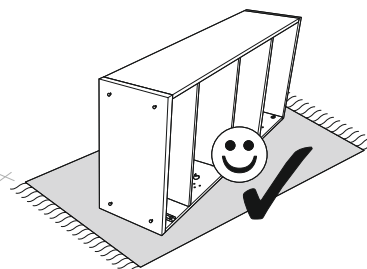
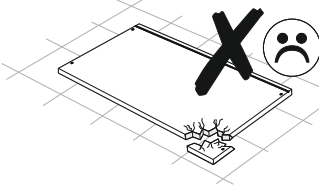
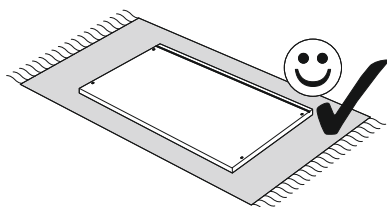


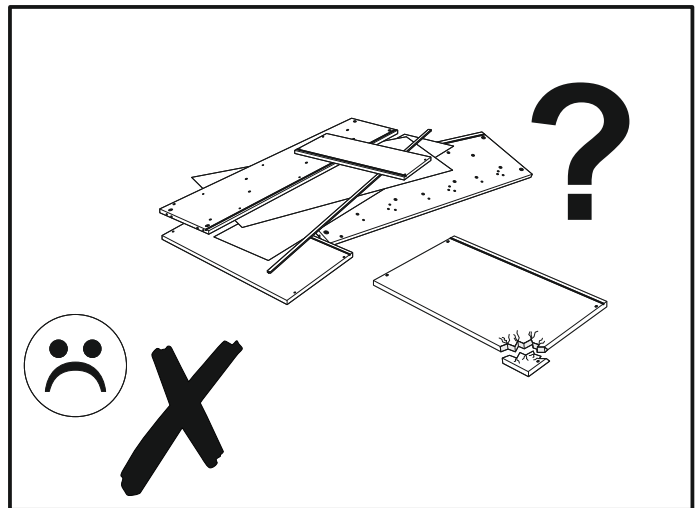
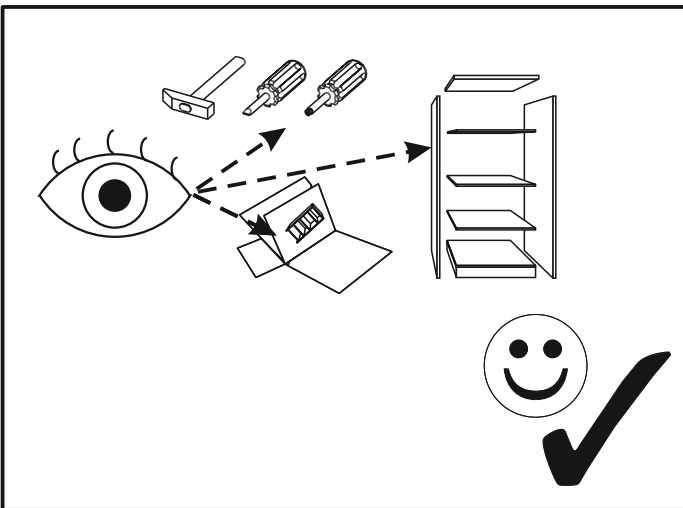
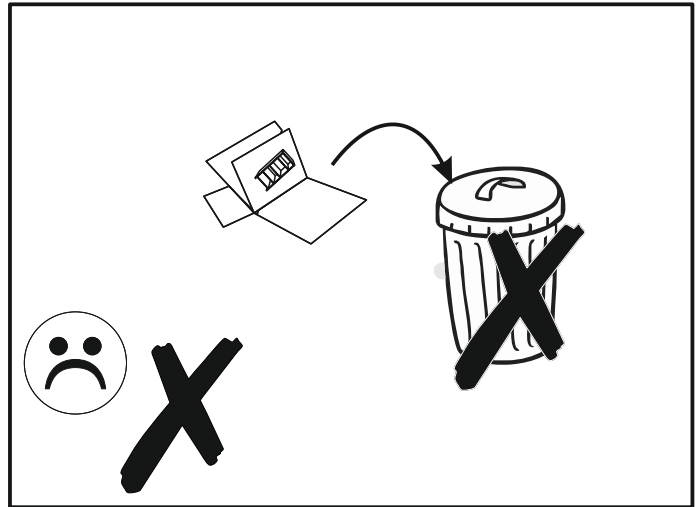
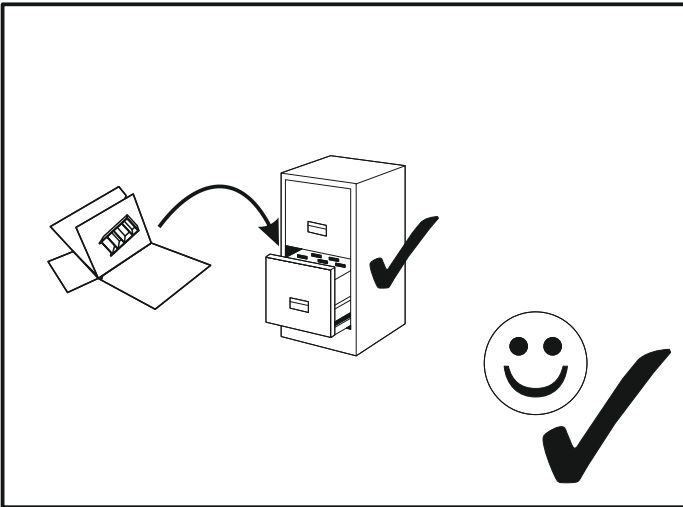
embra

48,3 cm

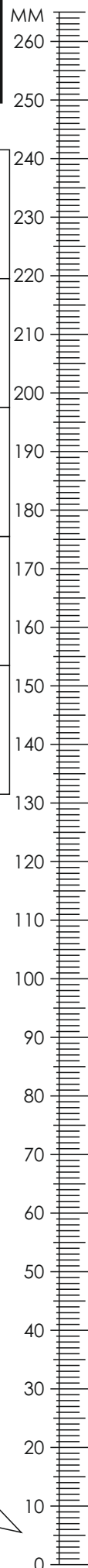
75 cm



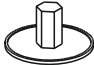







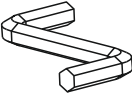

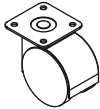
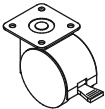

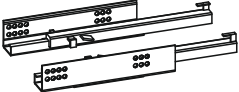
110 cm

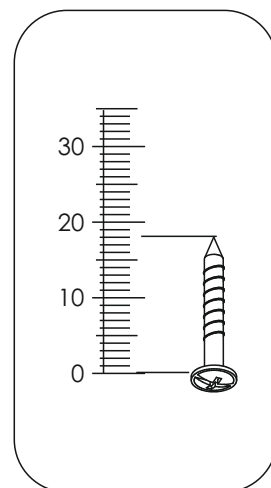




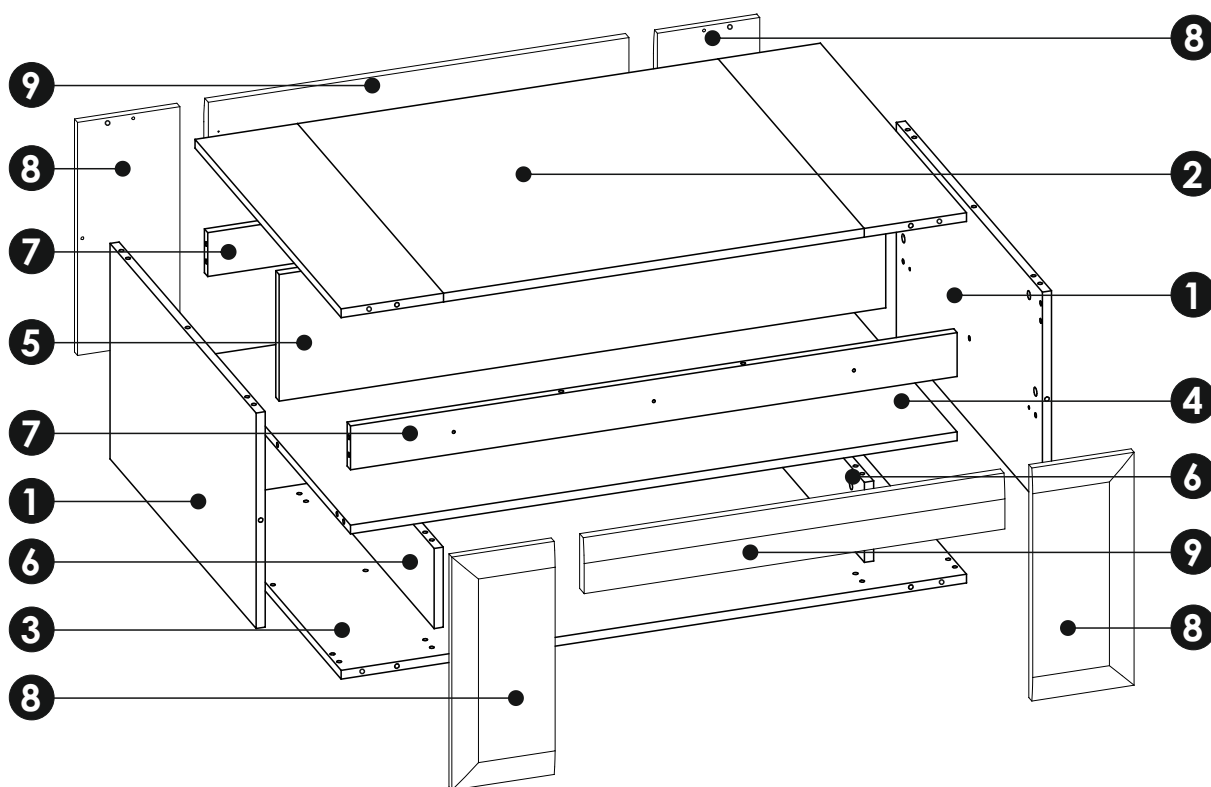
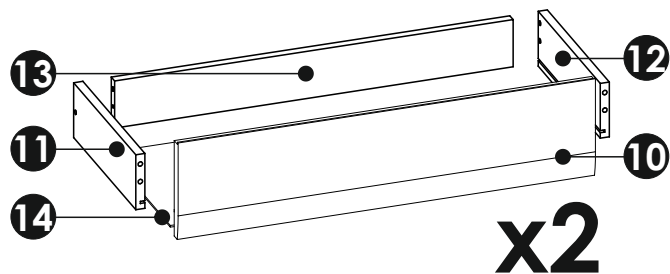
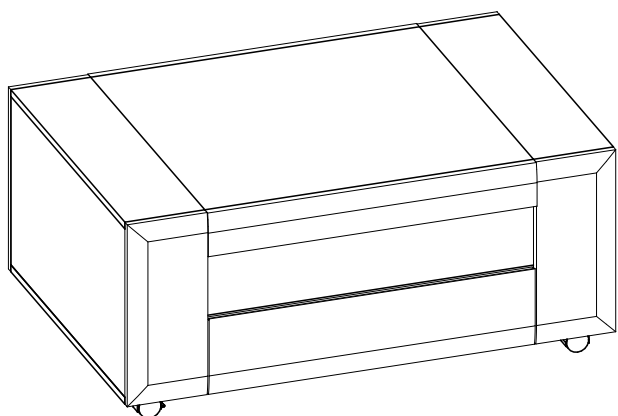
TORONTO TOT05



<p>A1 x 54 $\varnothing 8 \times 35$ mm</p> 	<p>C2 x8 EURO 5 x 13 mm</p> 	<p>E0 x 34</p> 
<p>E1 x 34 $\varnothing 15 \times 12$ mm</p> 	<p>ET x 1</p> 	<p>F1 x34</p> 
<p>G0 x14</p> 	<p>G1 x14 $\varnothing 7 \times 50$ mm</p> 	<p>I2 x 16 4 x 16 mm</p> 
<p>I4 x6 3,5 x 27mm</p> 	<p>M x 1</p> 	<p>N1 x 20 3 x 16 mm</p> 
<p>O14 x2</p> 	<p>O16 x2</p> 	<p>R4 x2</p> 
<p>T11 x2</p> 		

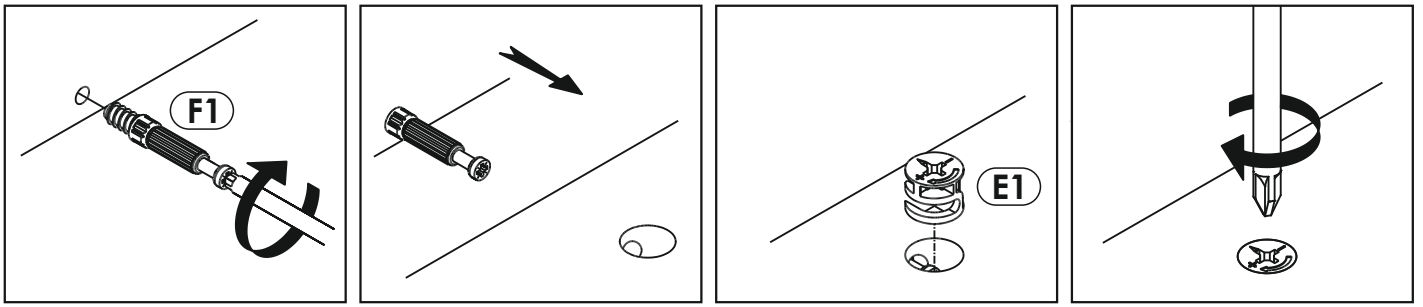


TORONTO TOT05

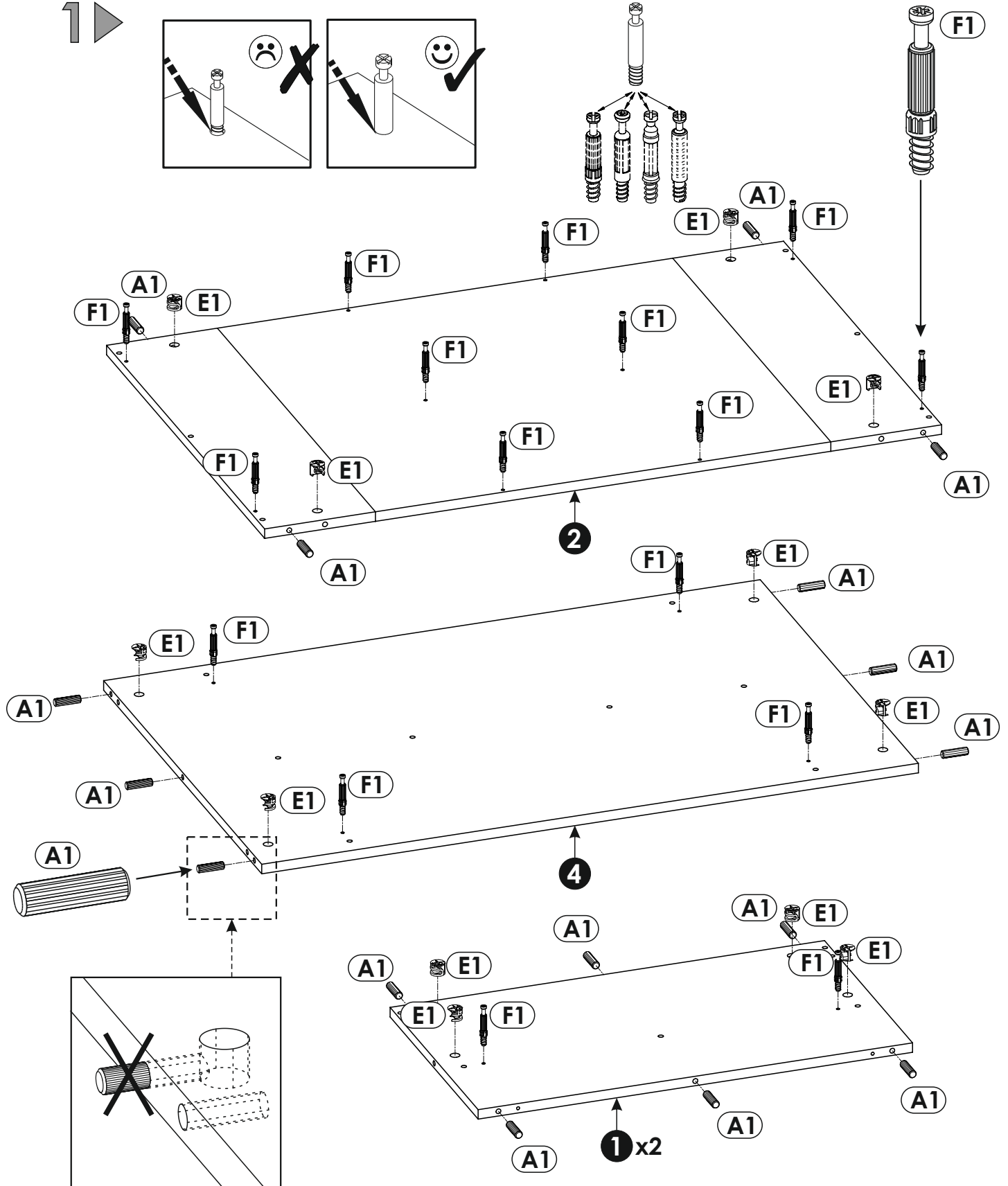
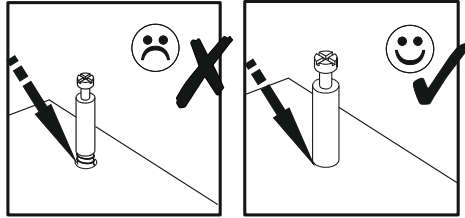


1	393	706	16	x2	1/2
2	1100	706	16	x1	2/2
3	1100	706	16	x1	1/2
4	1067	706	16	x1	2/2
5	1067	231	16	x1	2/2
6	706	146	16	x2	1/2
7	1067	80	16	x2	2/2

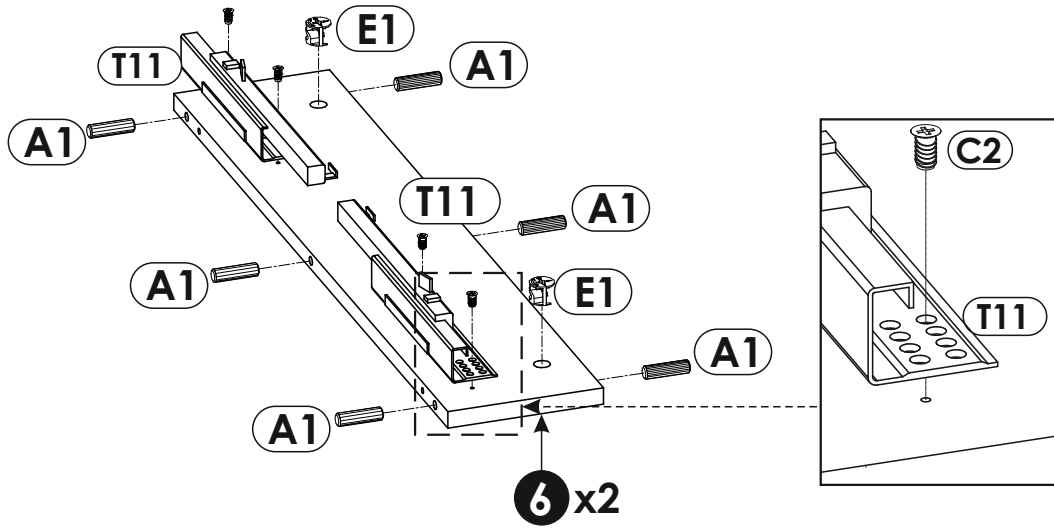
8	425	180	19	x4	1/2
9	740	100	22	x2	1/2
10	734	178	19	x2	1/2
11	300	100	16	x2	2/2
12	300	100	16	x2	2/2
13	701	86	16	x2	2/2
14	715	305	3	x2	1/2



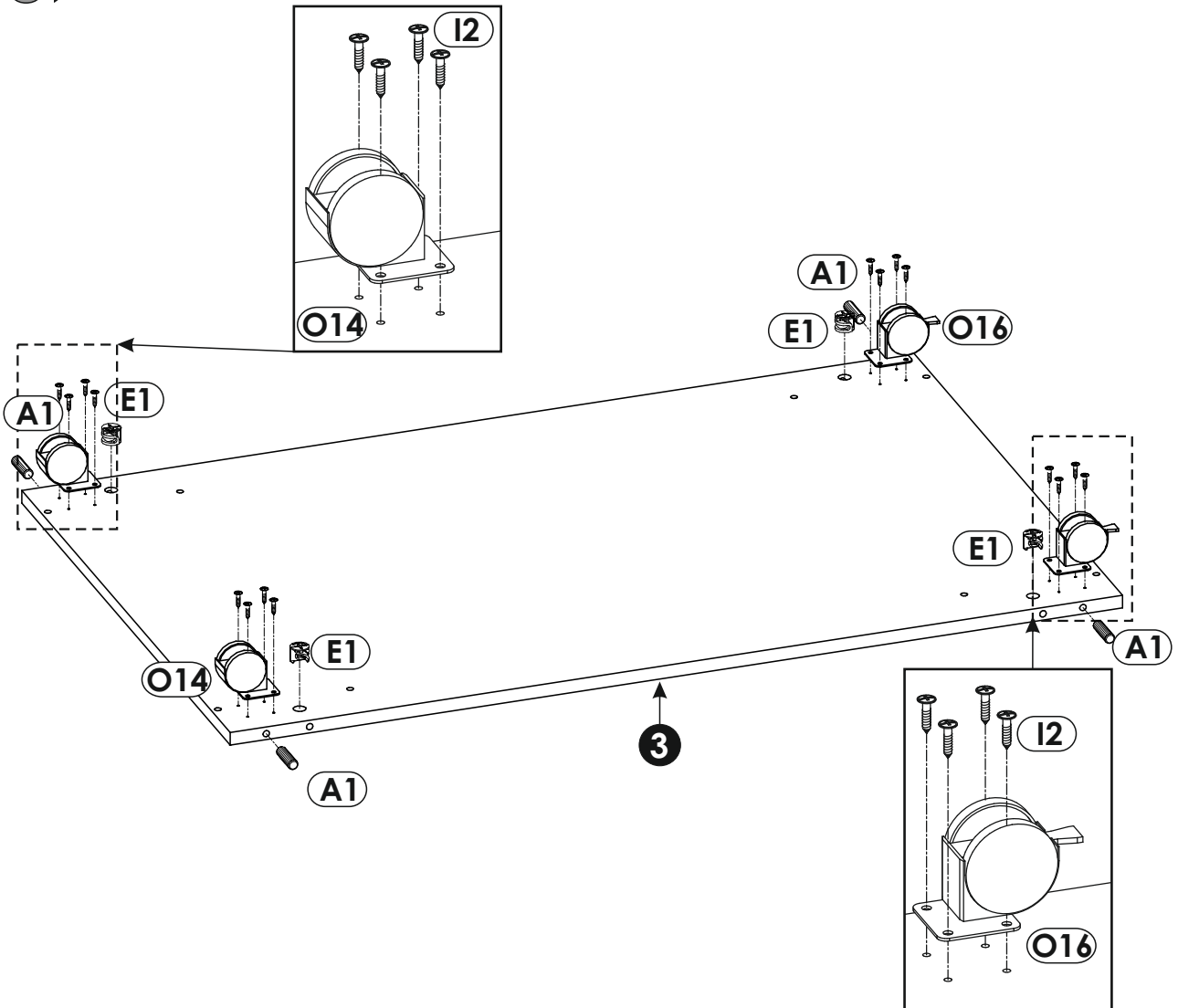
1 ▶



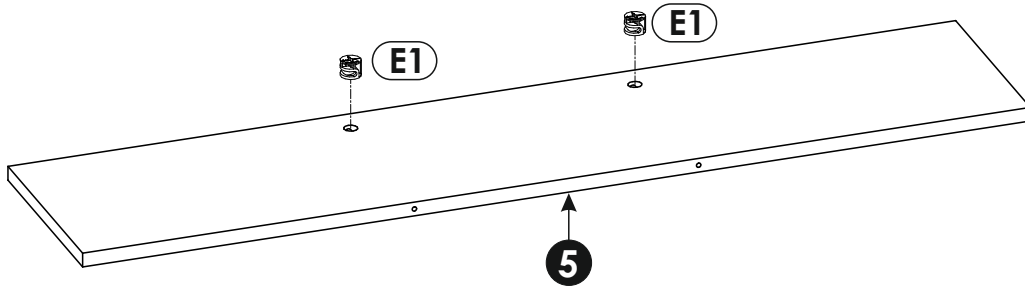
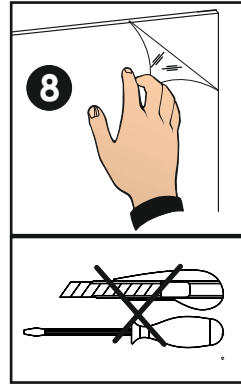
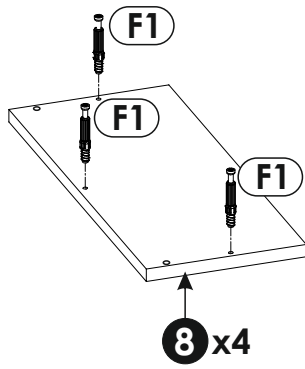
2 ▶



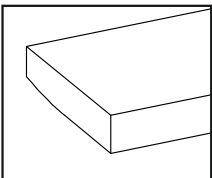
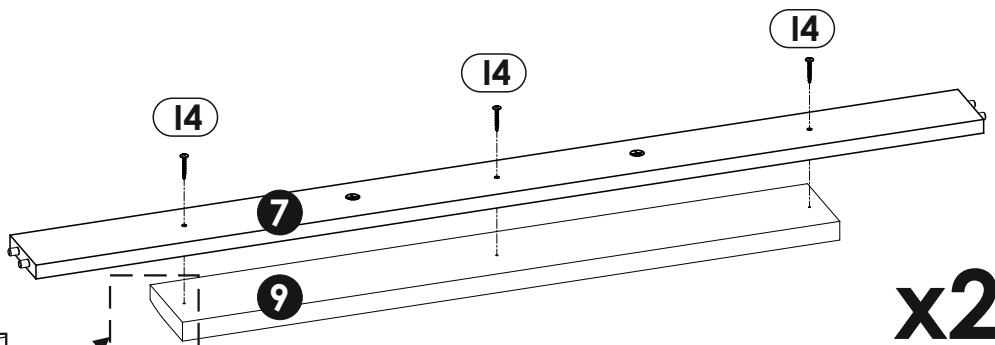
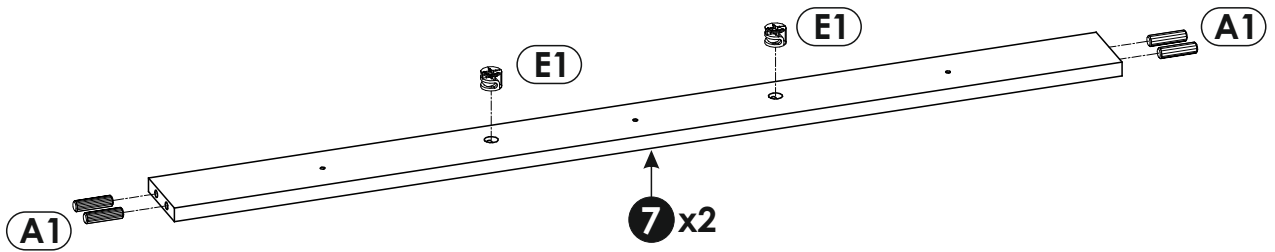
3 ▶



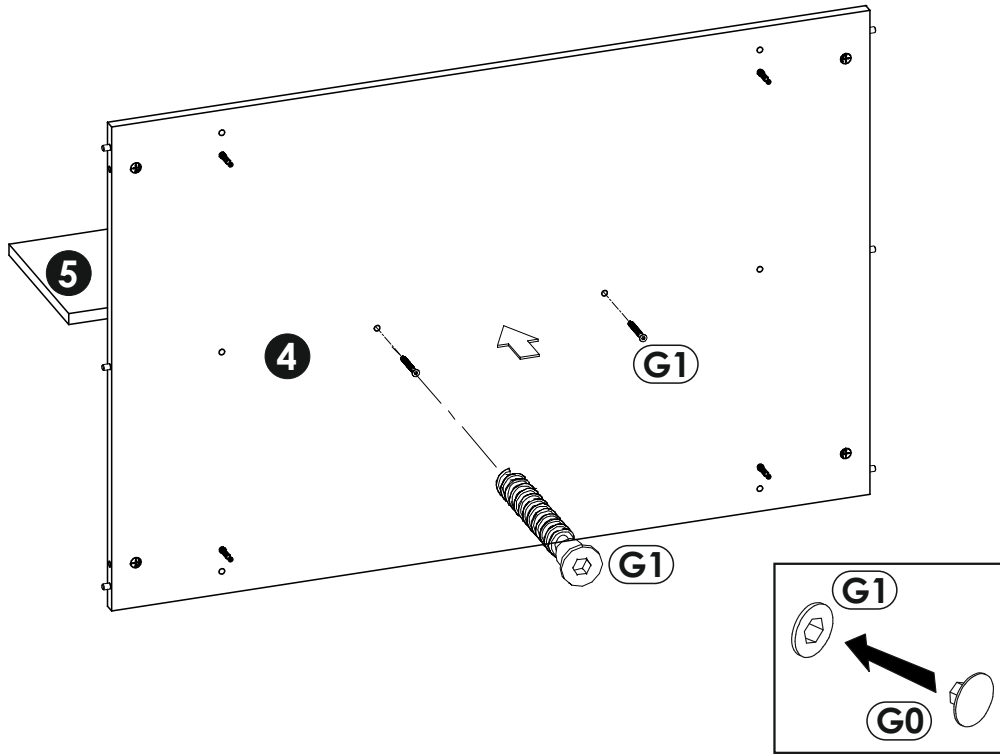
4▶



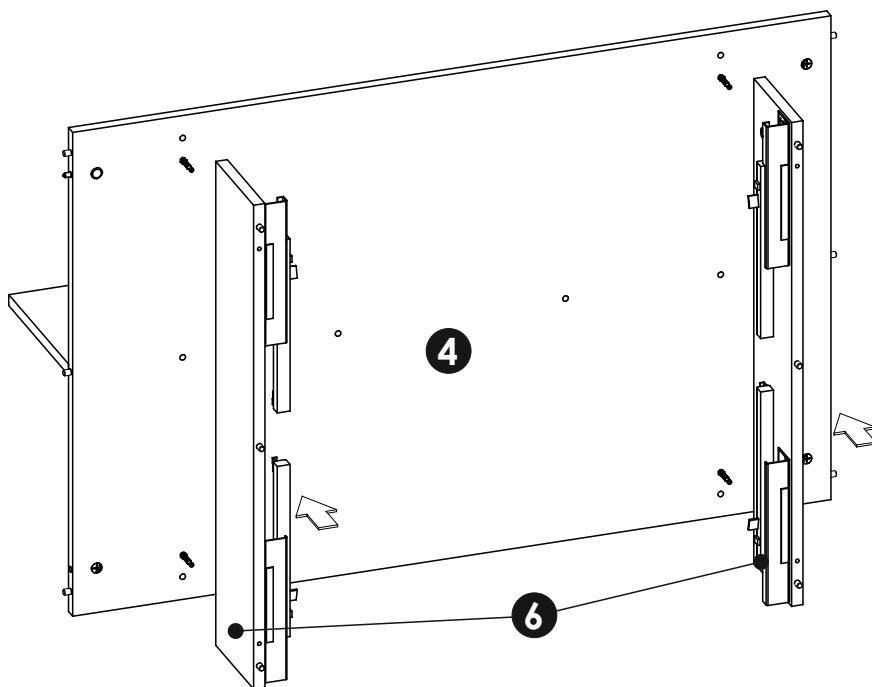
5▶



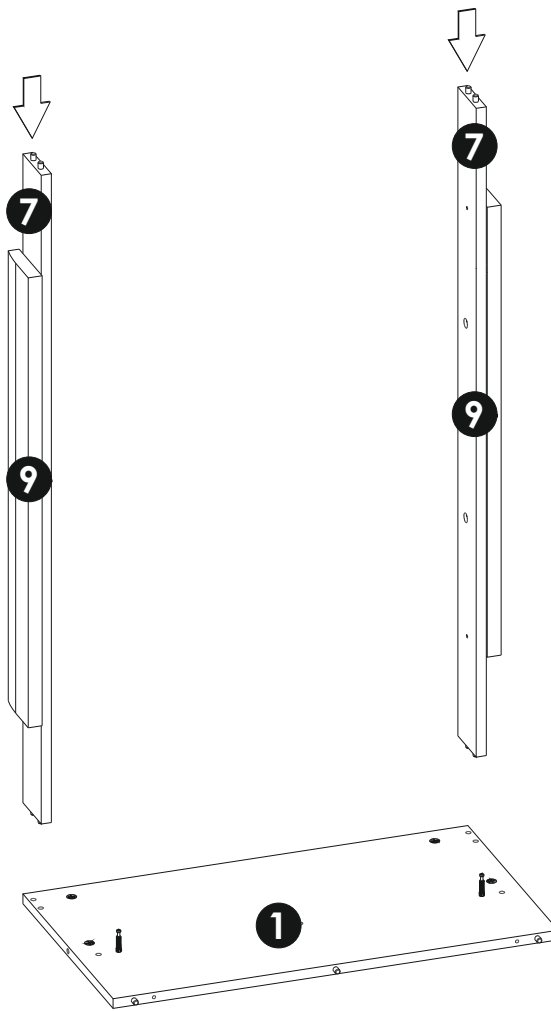
7 ▶



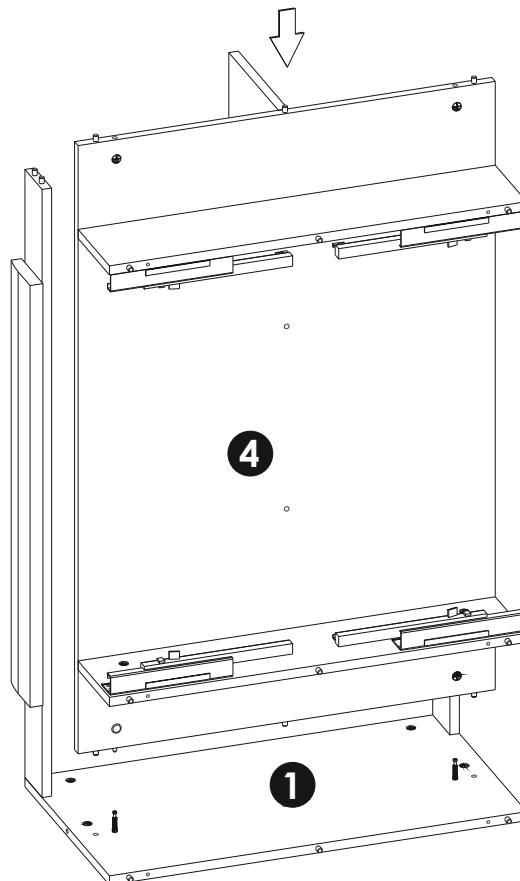
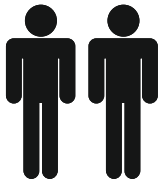
8 ▶



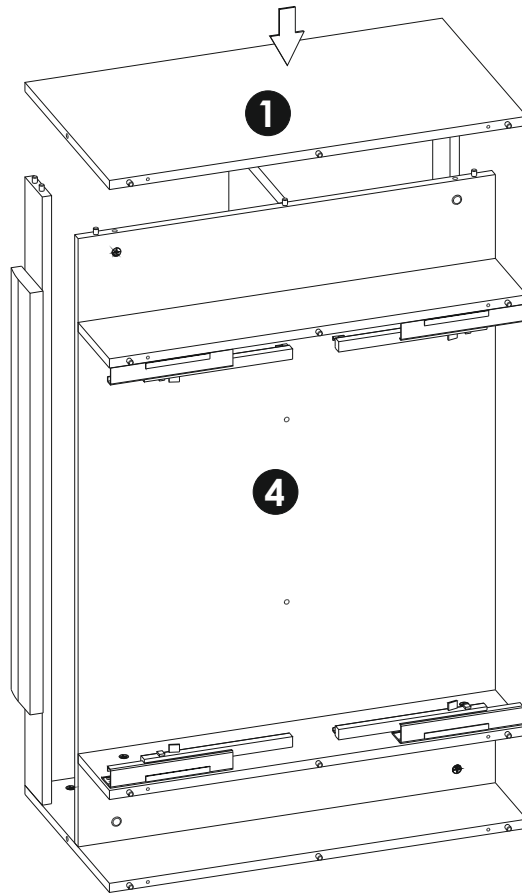
9 ▶



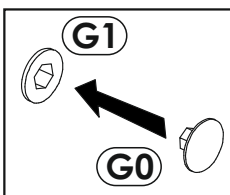
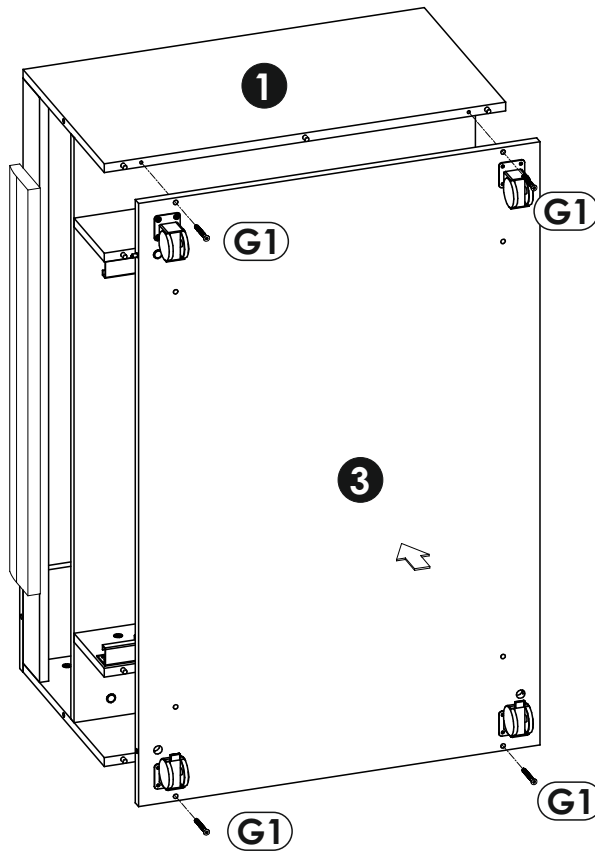
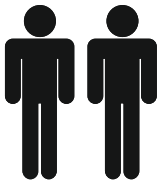
10 ▶



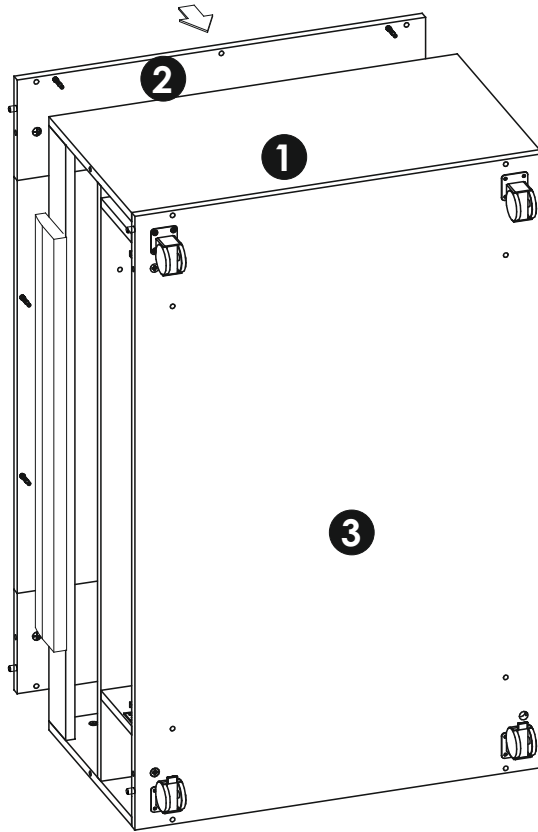
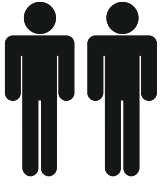
11 ▶



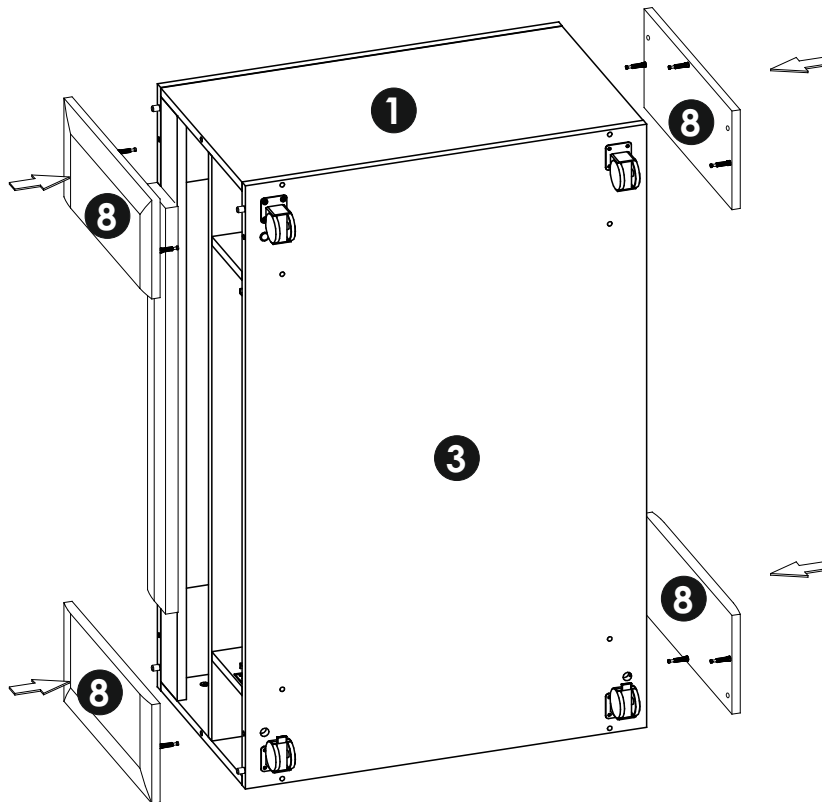
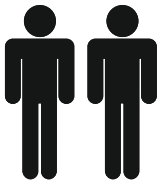
12 ▶



13 ▶



14 ▶



15 ▶

