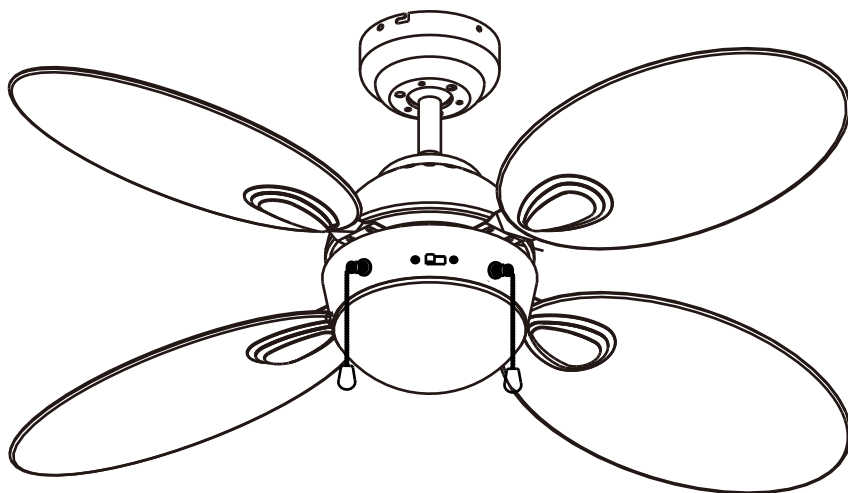


GLOBO

FAN

0318

www.globo-lighting.com

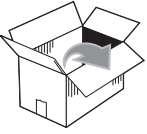


GLOBO Handels GmbH

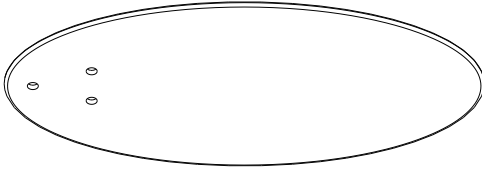
St. Peter 38

A-9184 St.Jakob/Rosental

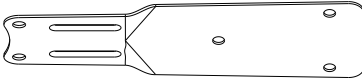




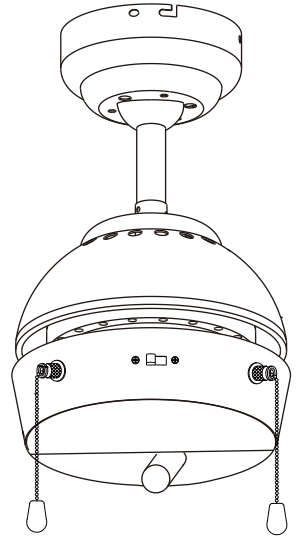
C x4



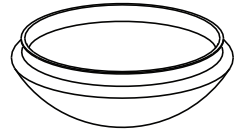
D x4



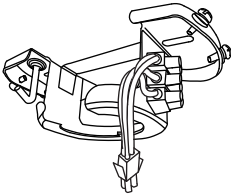
B



E



A



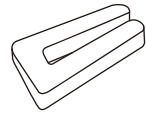
F x4



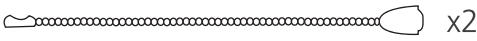
N

3 GM x4

M

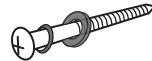


G

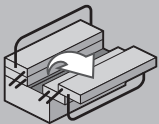


x2

H



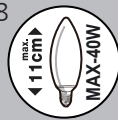
x2



#8

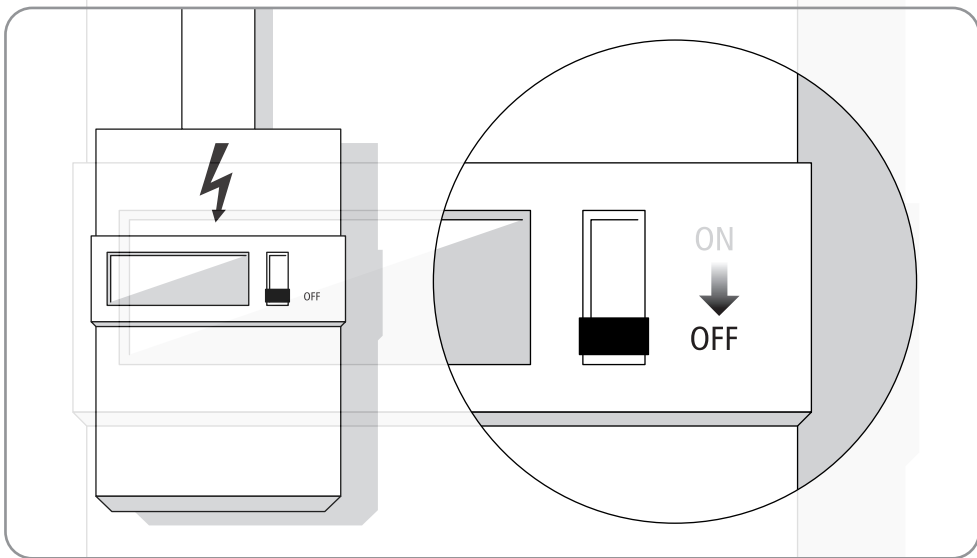
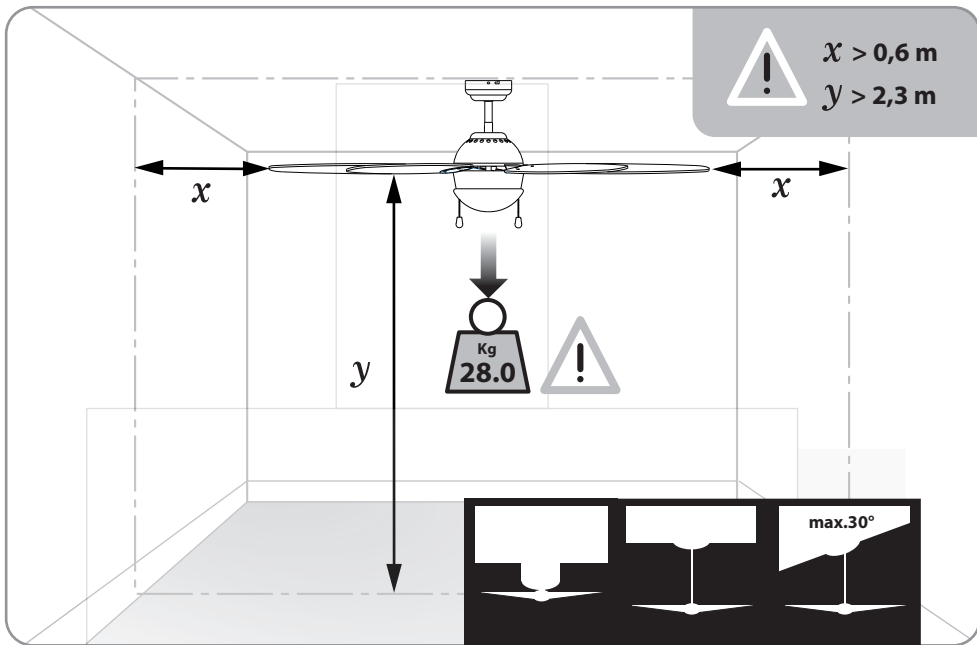


x2

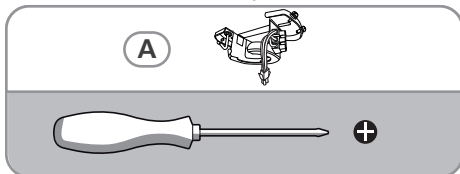
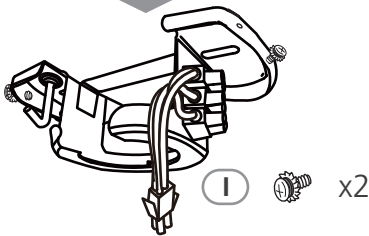
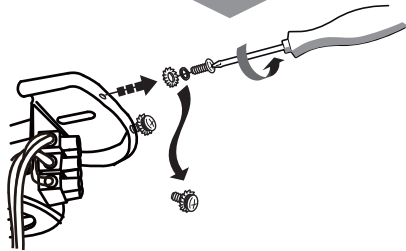
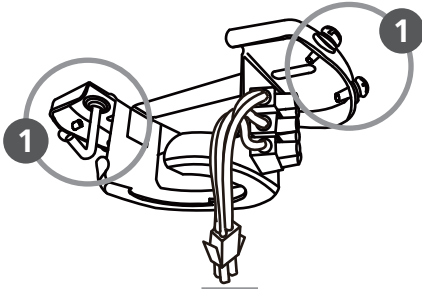


E 14

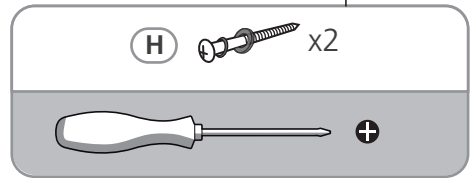
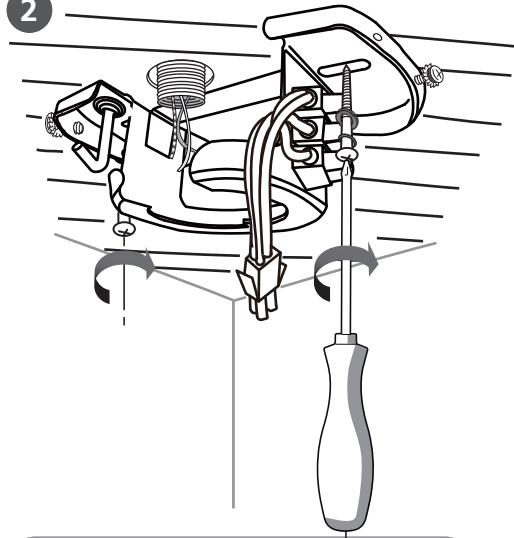




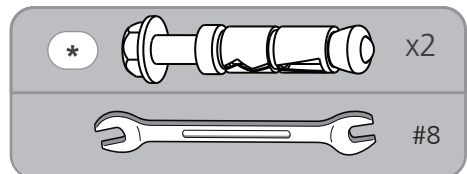
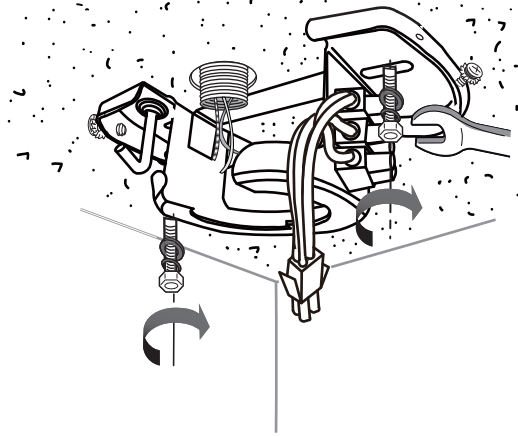
1



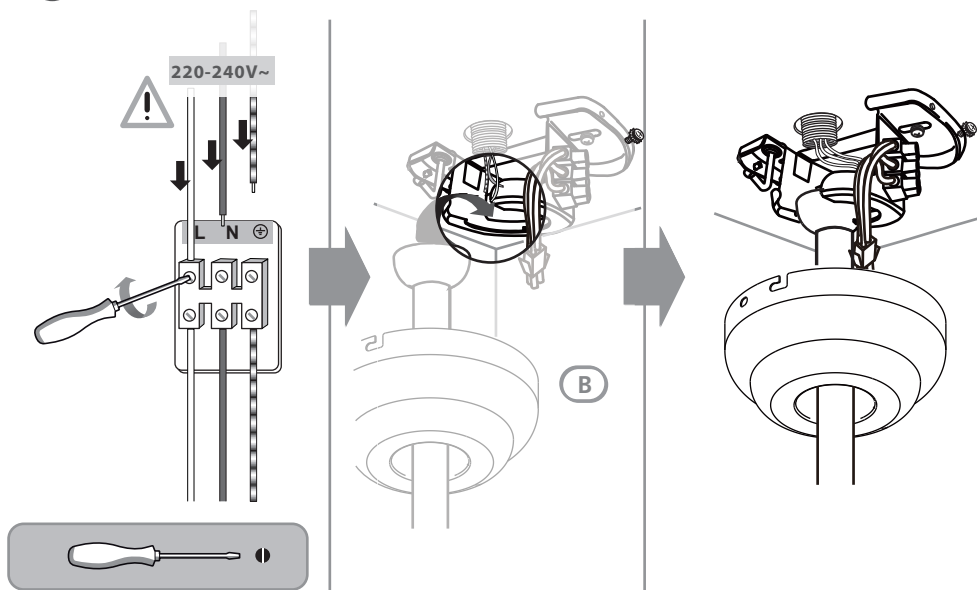
2



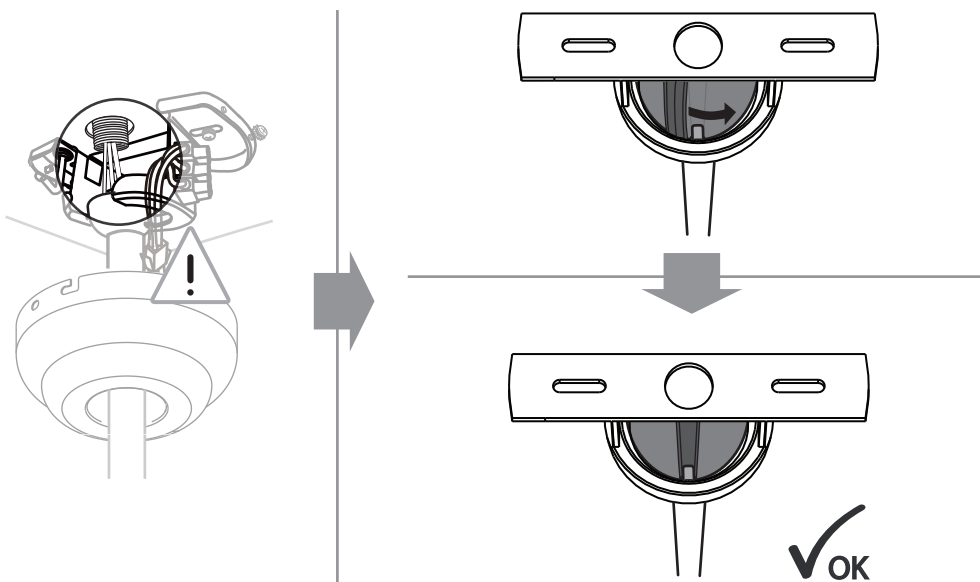
OR



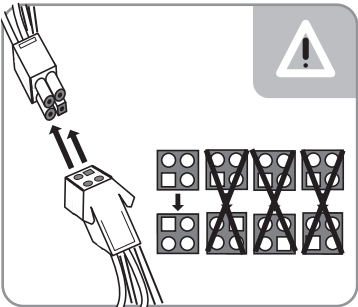
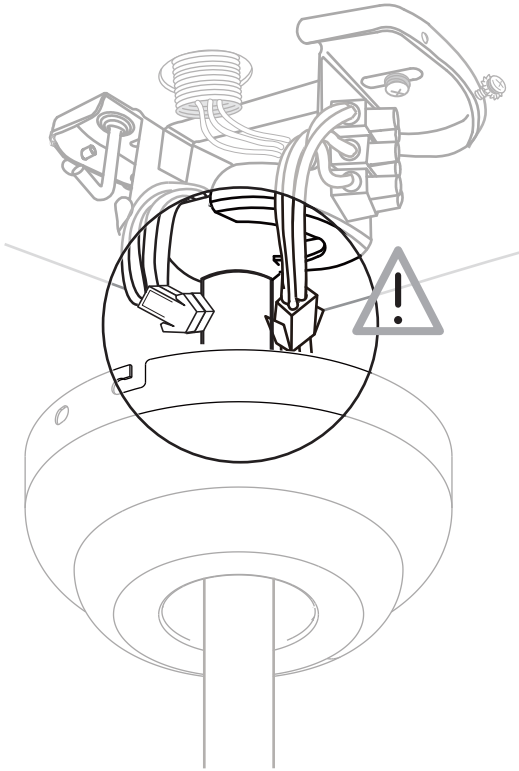
3



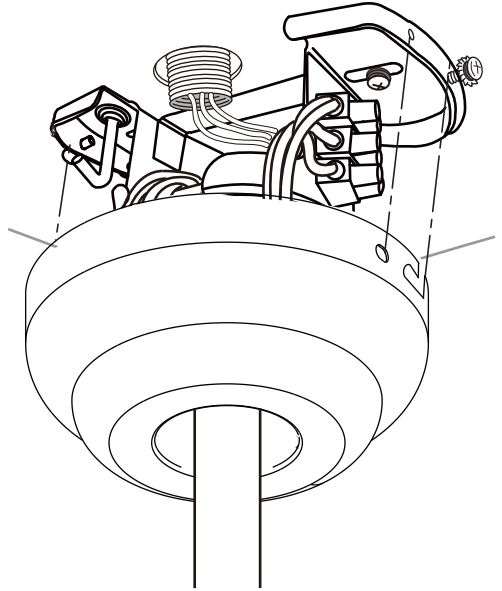
4



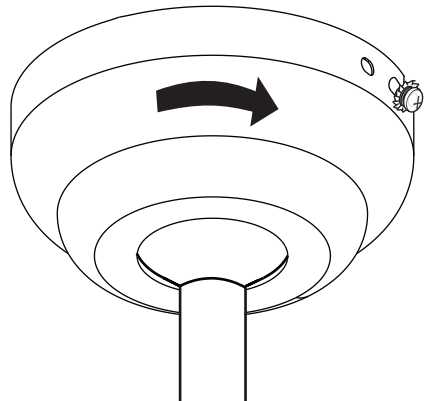
5

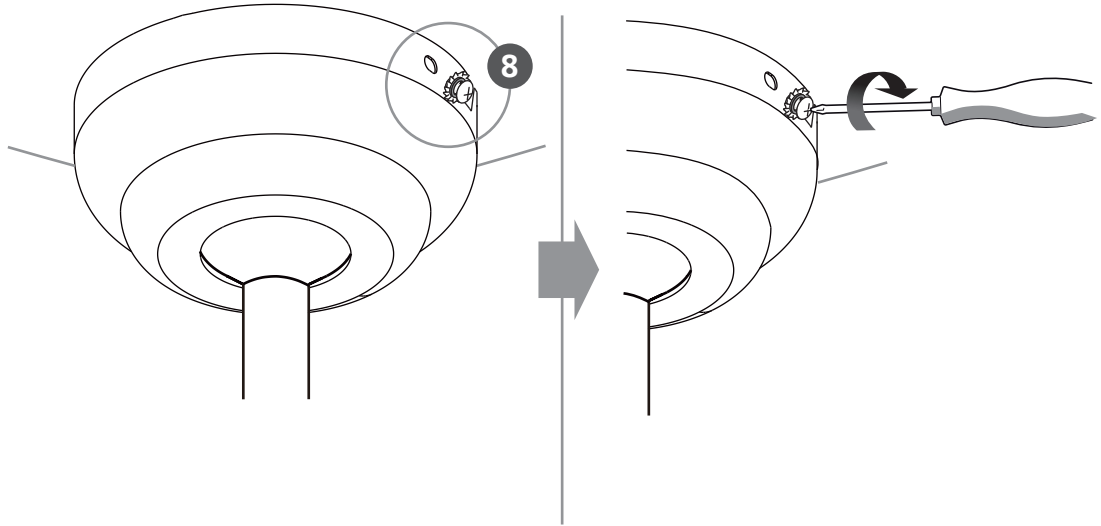


6

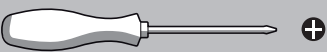
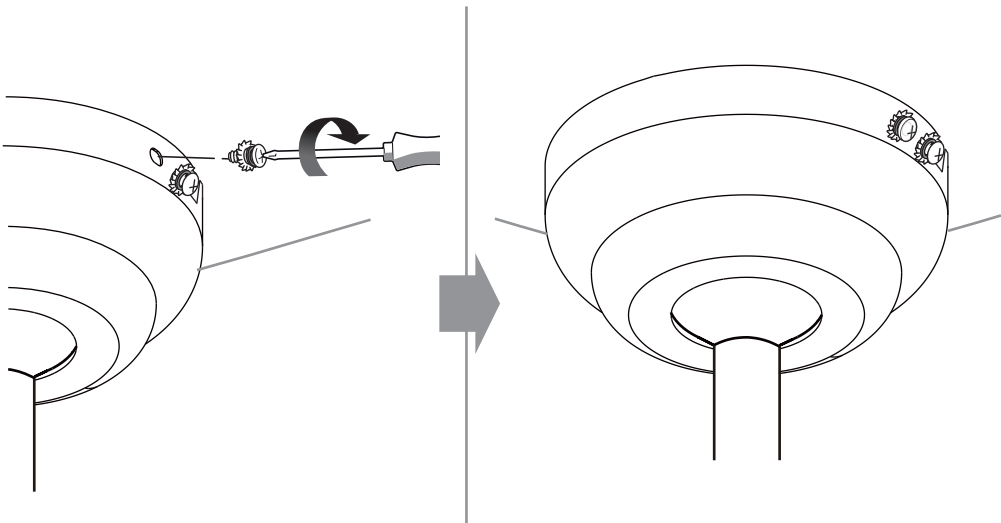


7

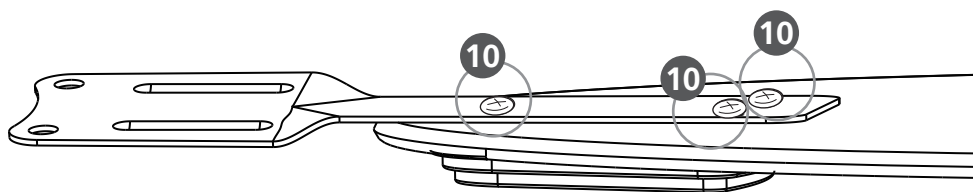
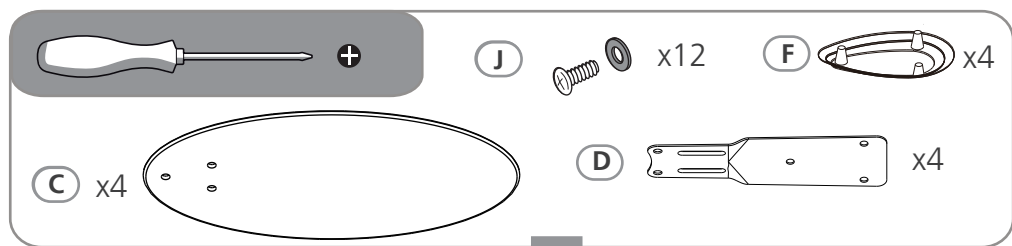
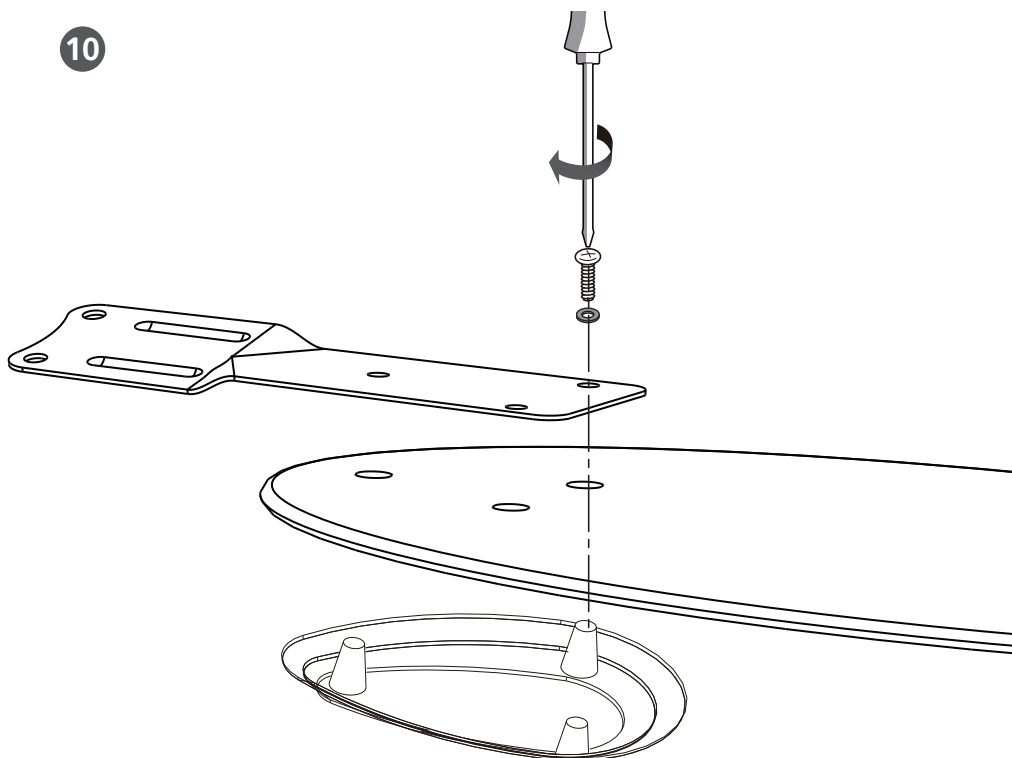




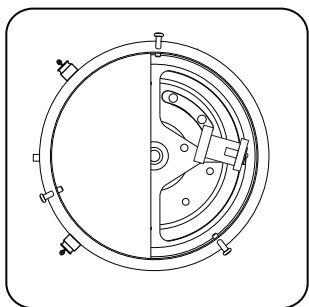
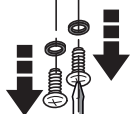
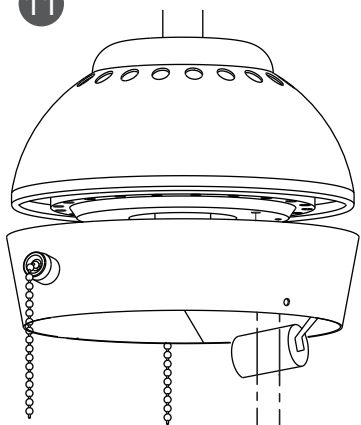
9



10

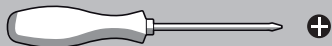
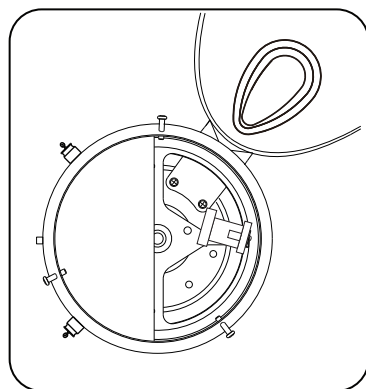
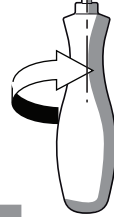
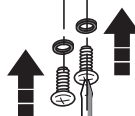
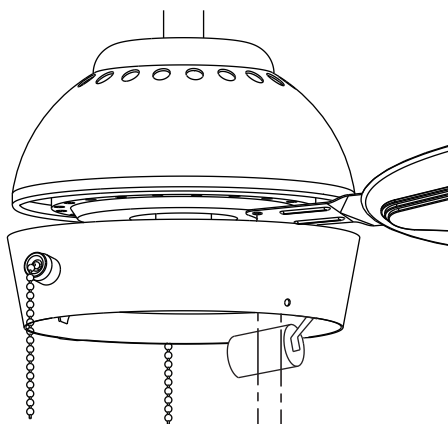


11

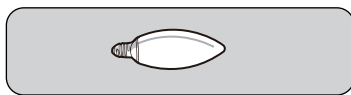
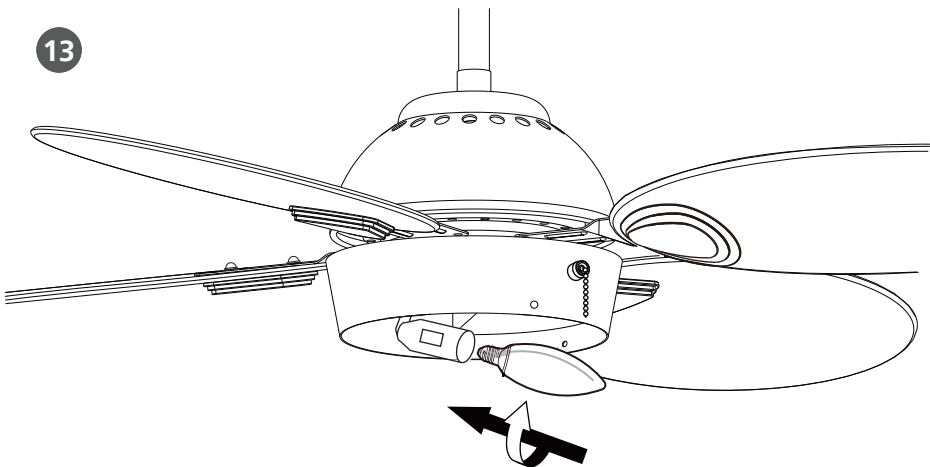


(K) x 8

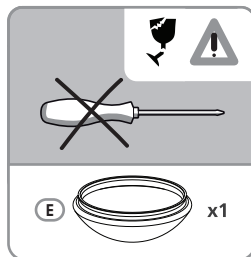
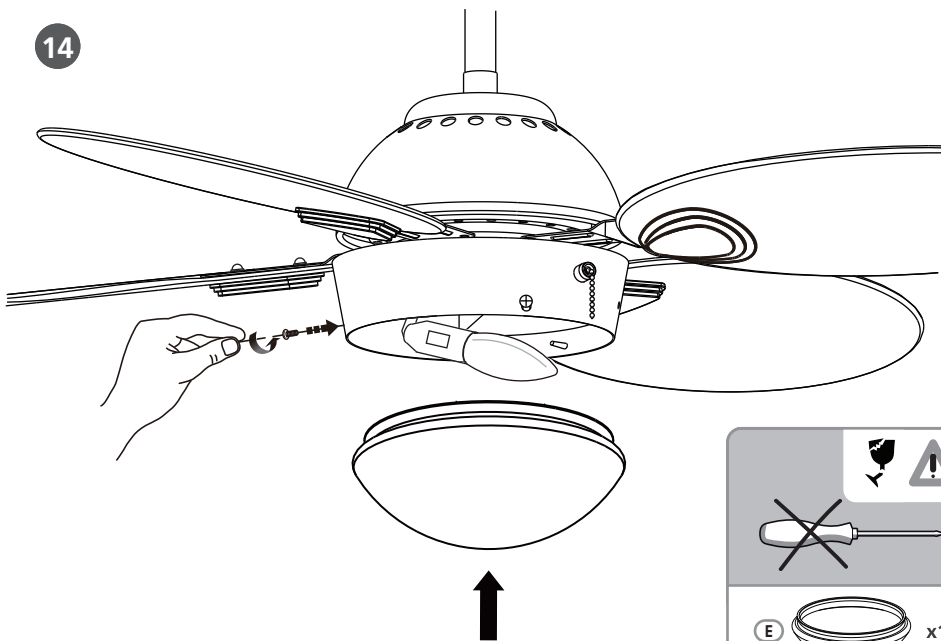
12

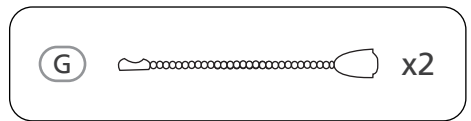
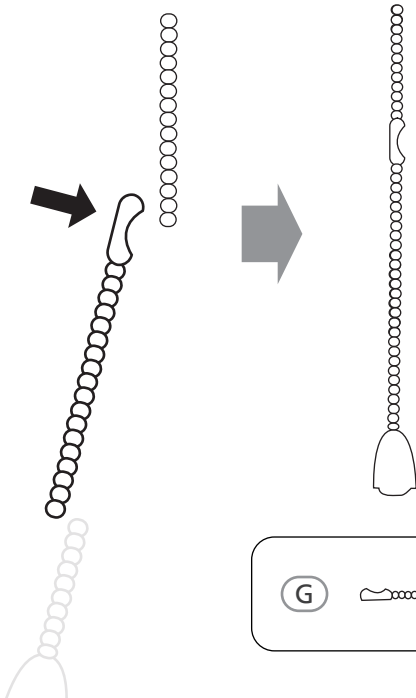
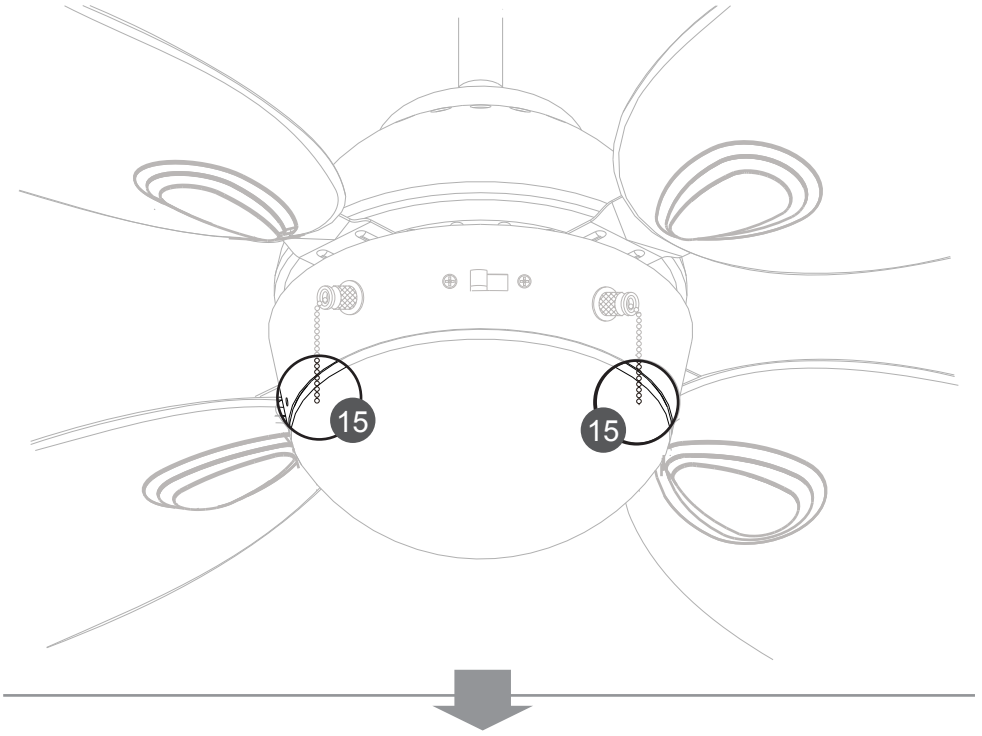


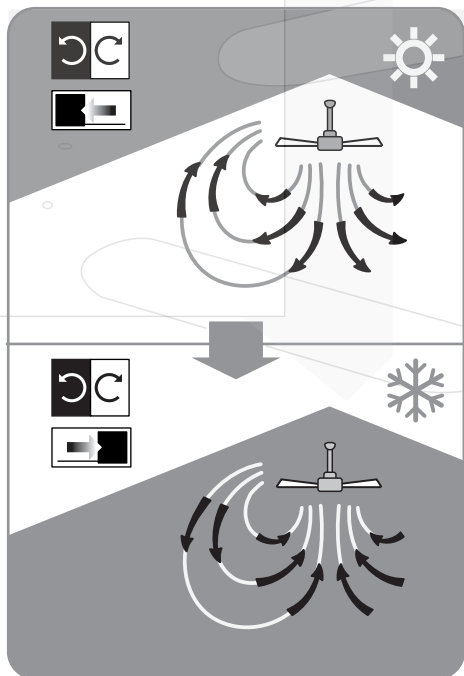
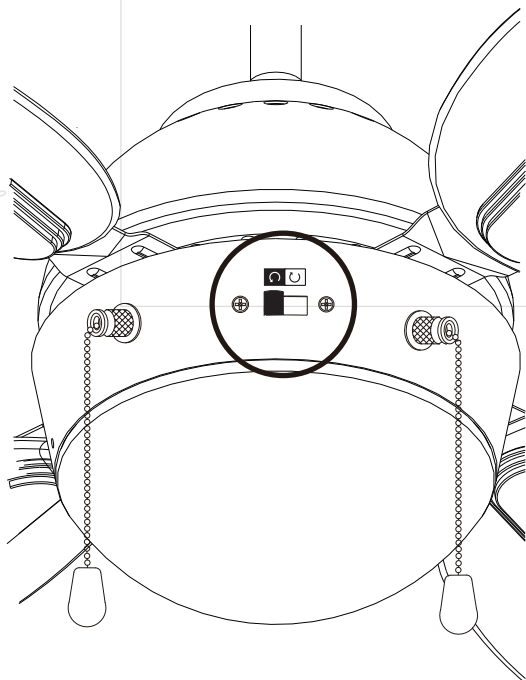
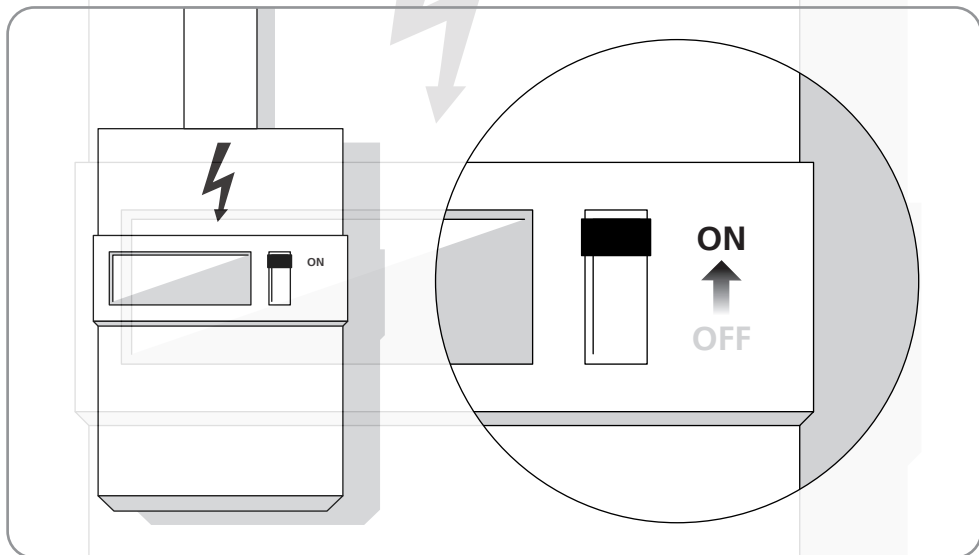
13

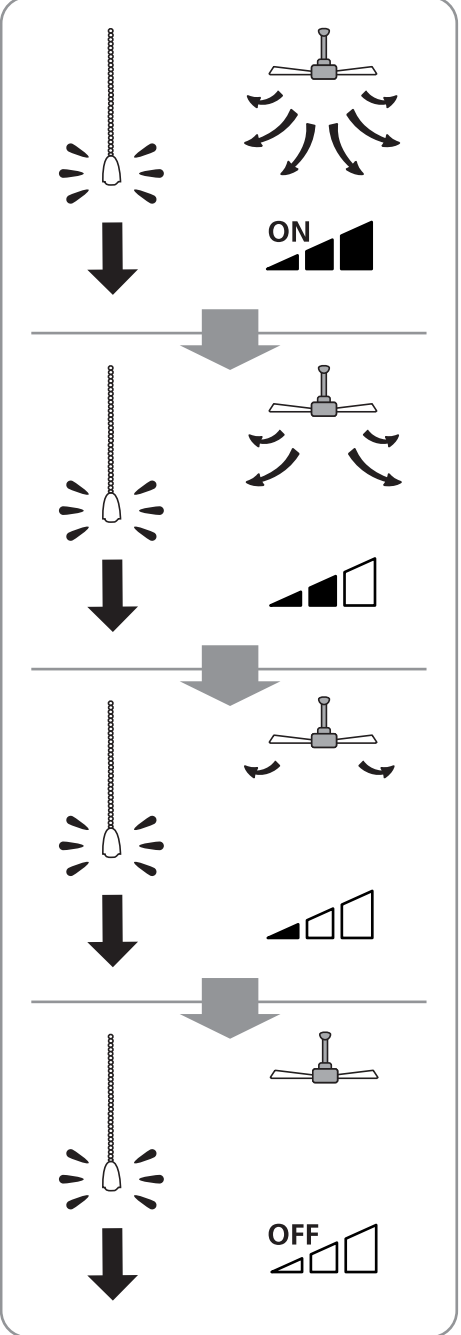
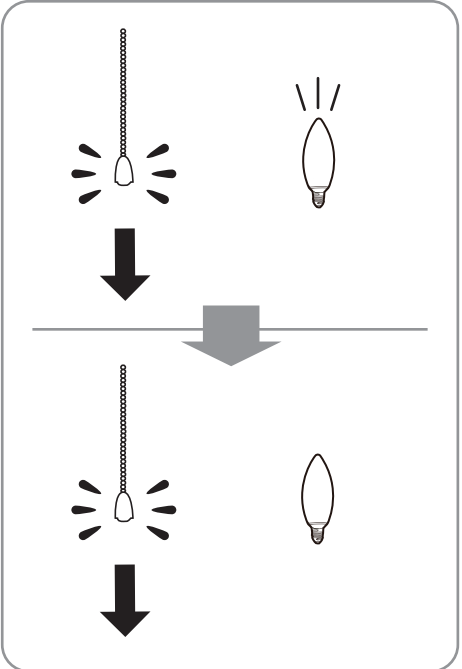
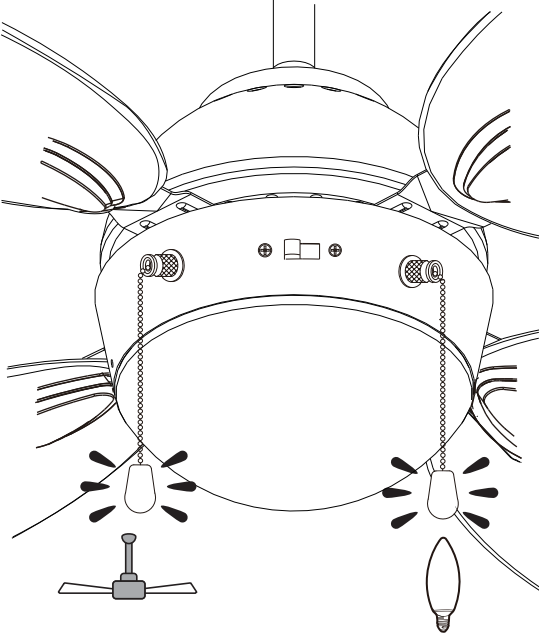


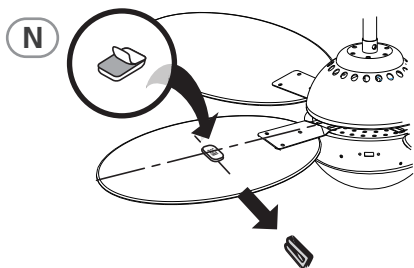
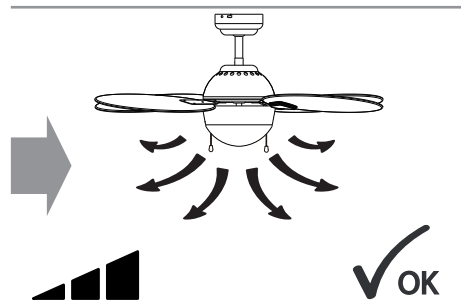
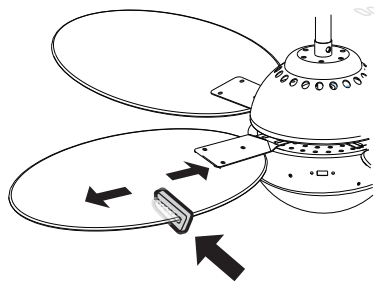
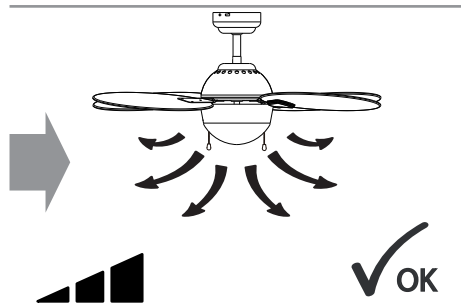
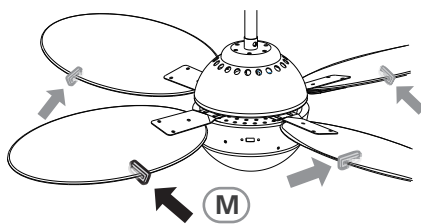
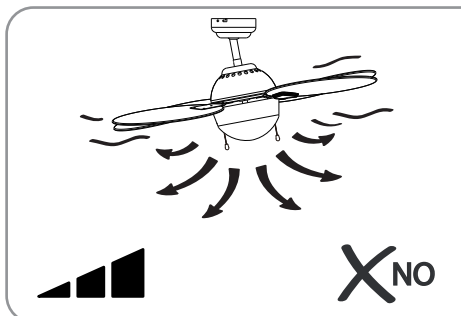
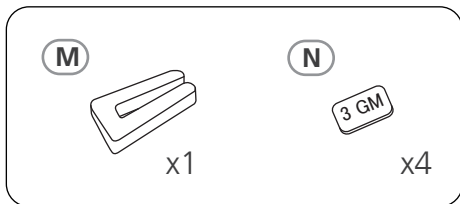
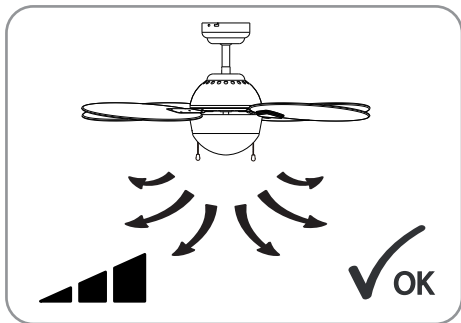
14









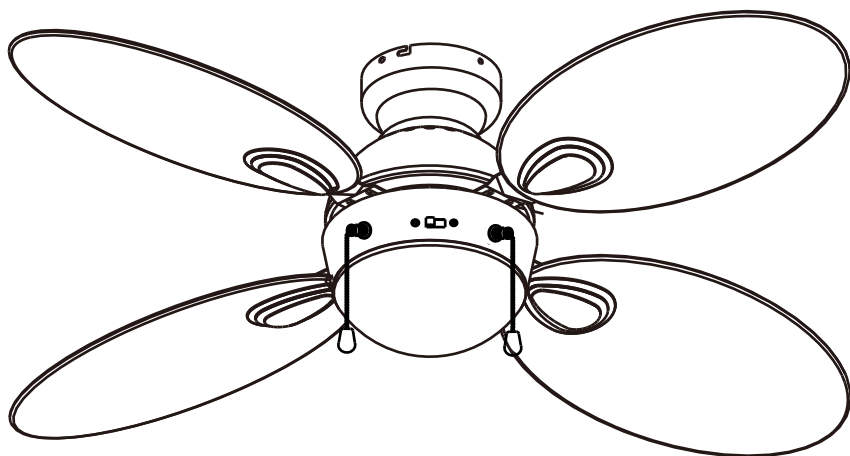


GLOBO

FAN

0318

www.globo-lighting.com

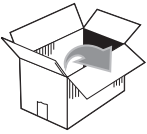


GLOBO Handels GmbH

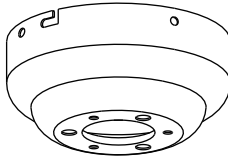
St. Peter 38

A-9184 St.Jakob/Rosental

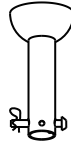




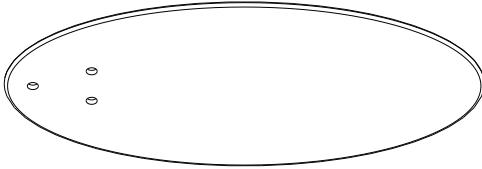
O



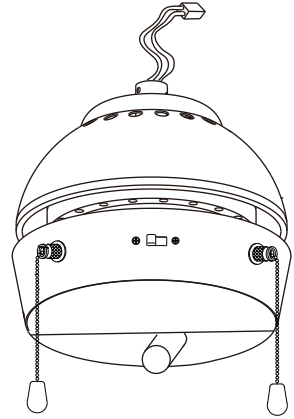
P



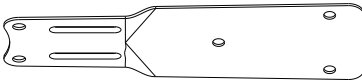
C x4



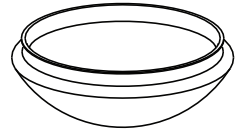
B



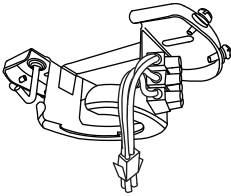
D x4



E



A



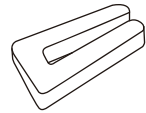
F x4



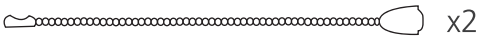
N

3 GM x4

M

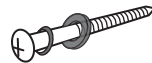


G

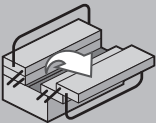


x2

H



x2



#8



*

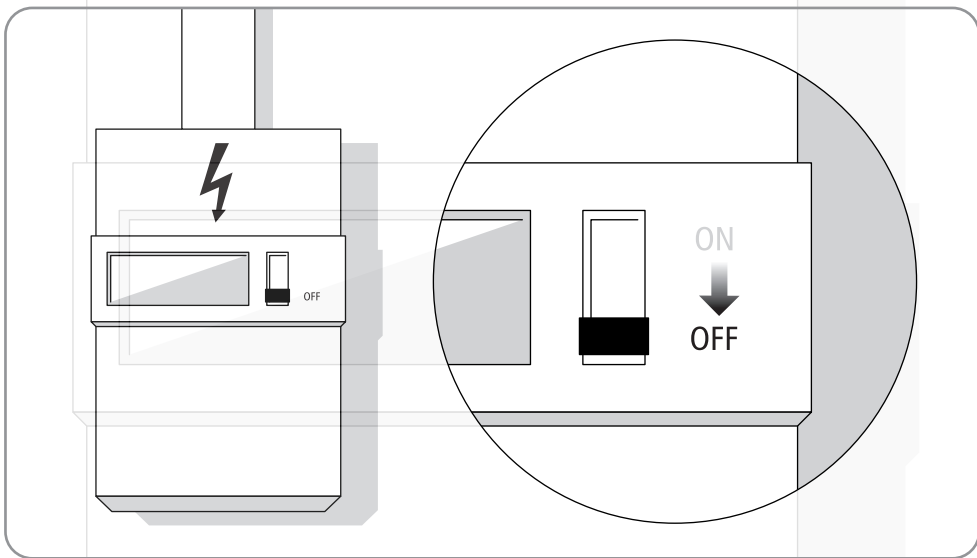
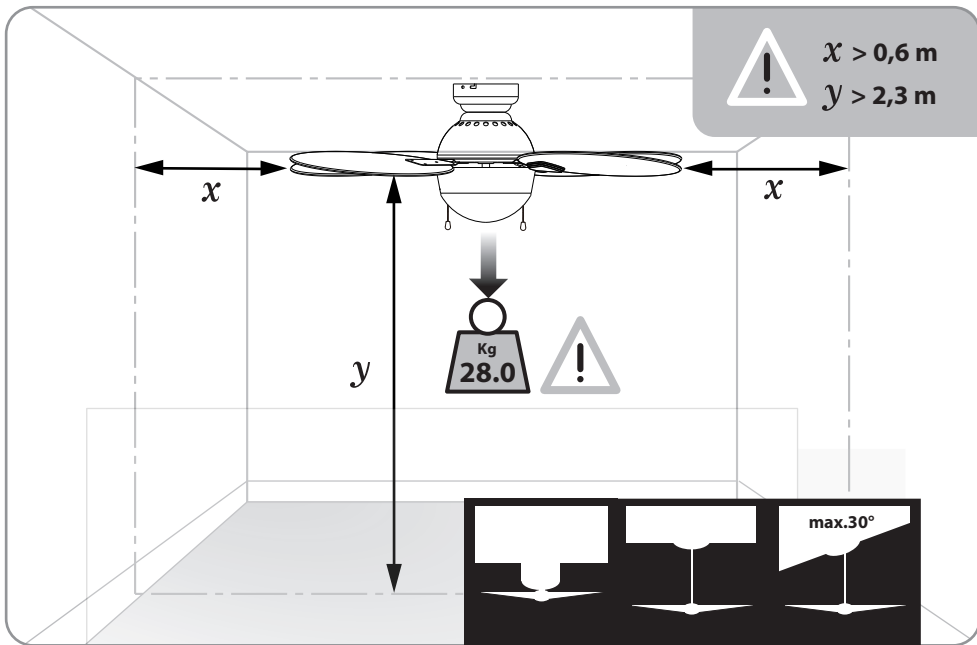


x2

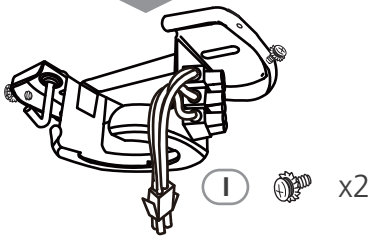
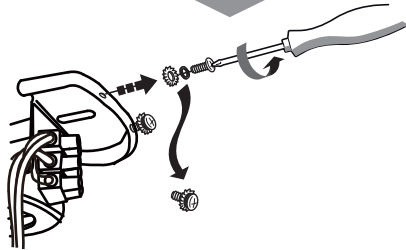
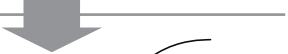
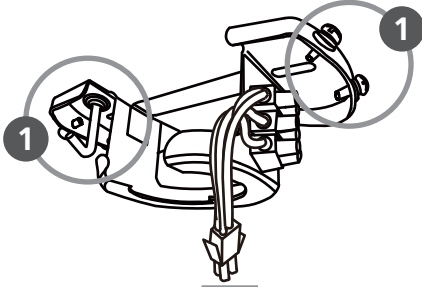


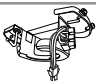
E 14

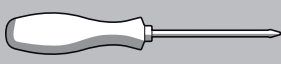




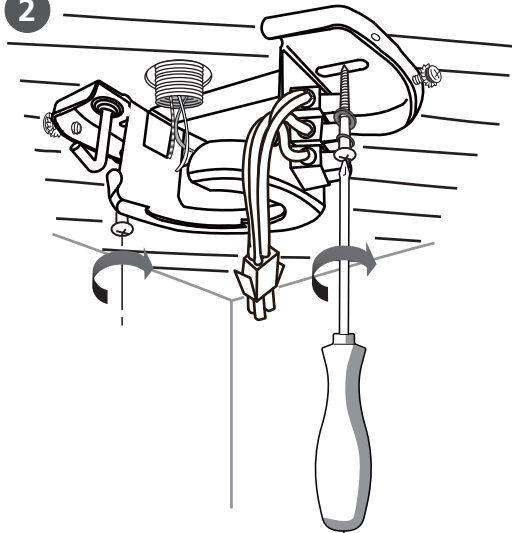
1





A  x2

 +

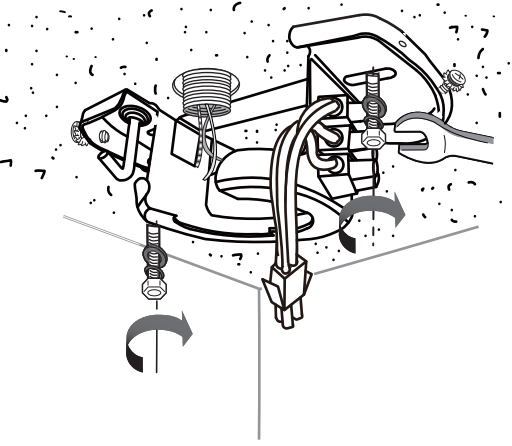
2




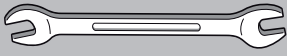
H  x2

 +

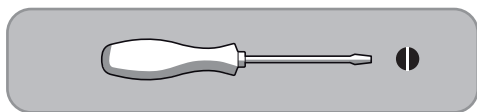
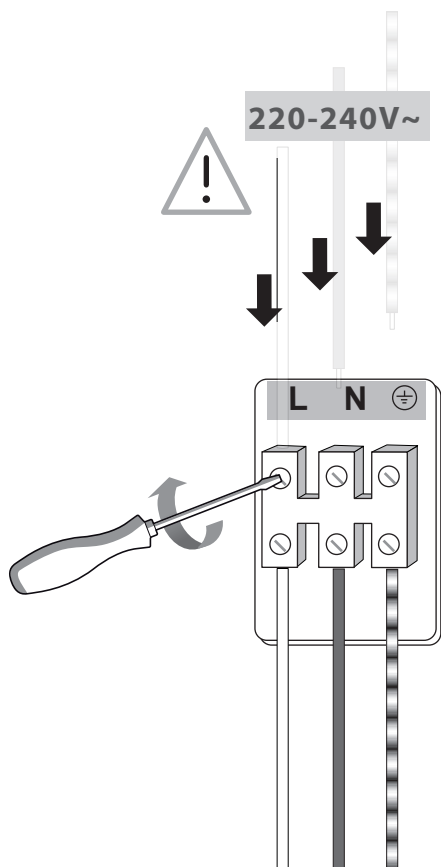
OR



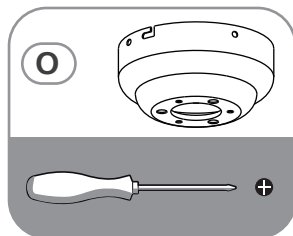
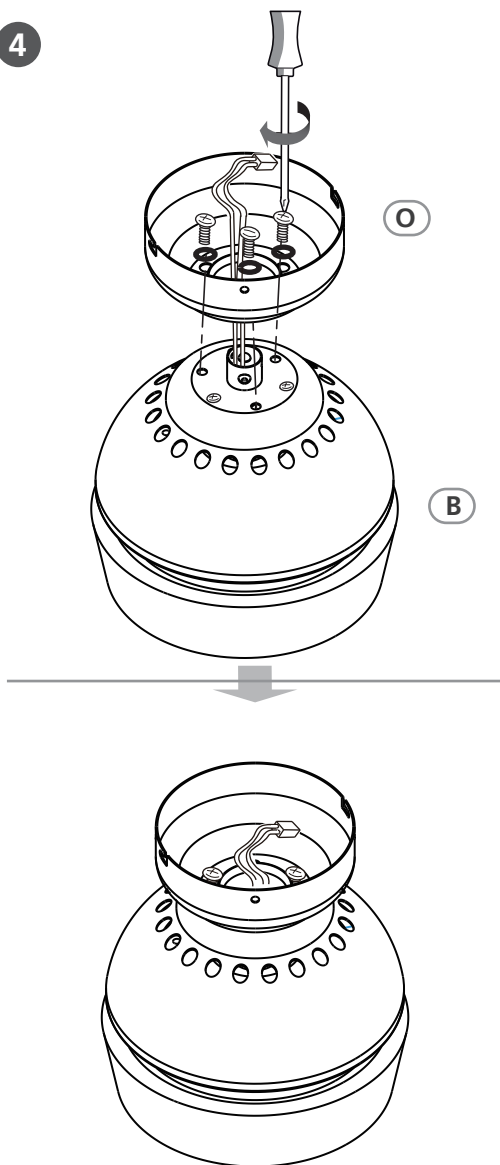
*****  x2

 #8

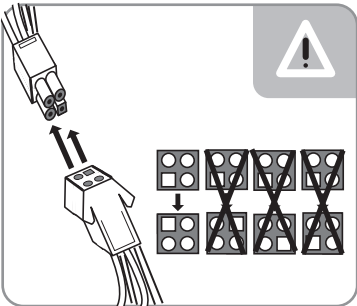
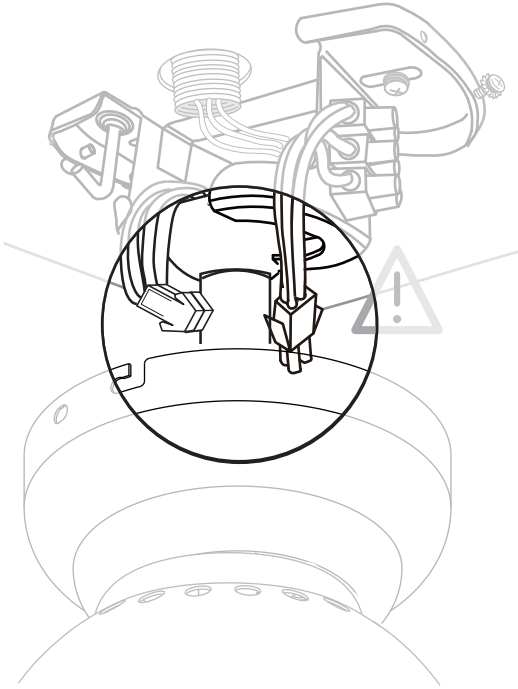
3



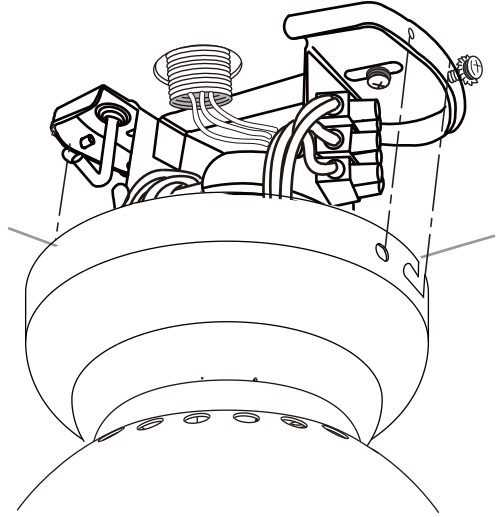
4



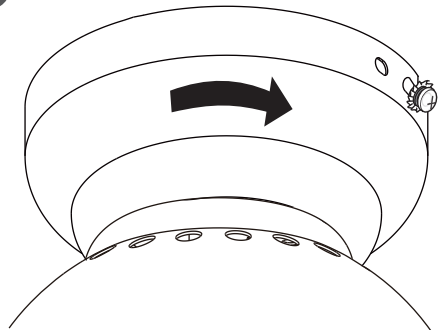
5

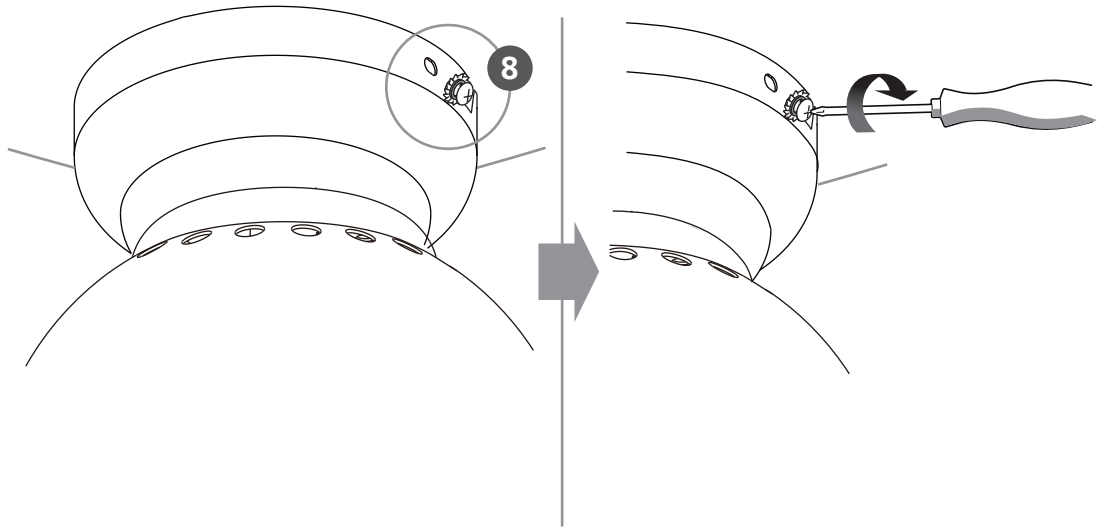


6

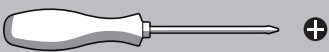
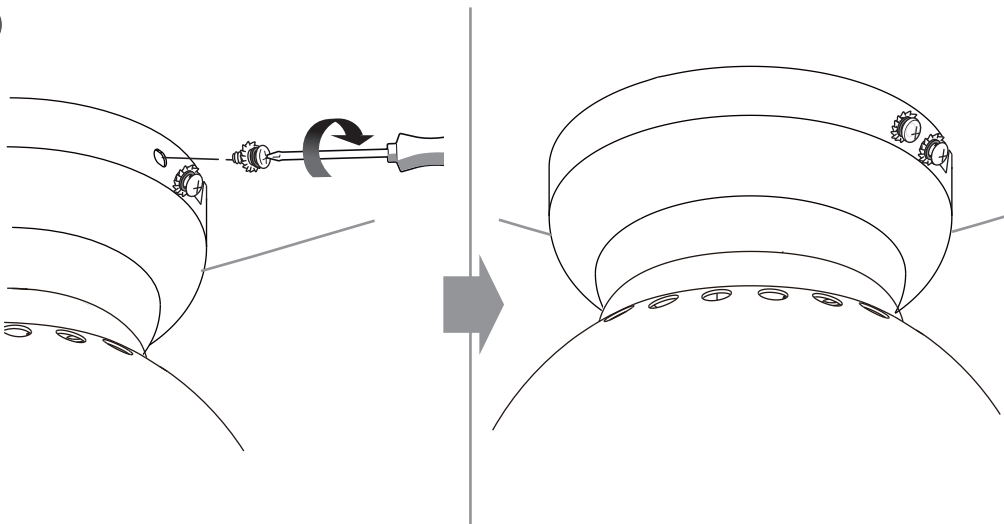


7

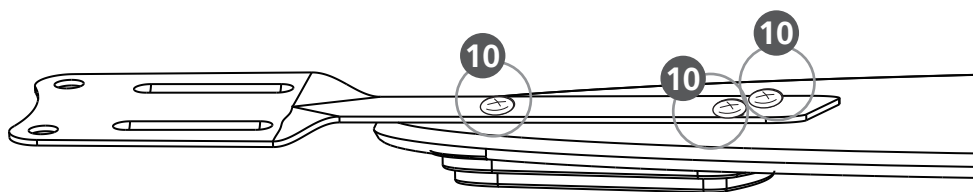
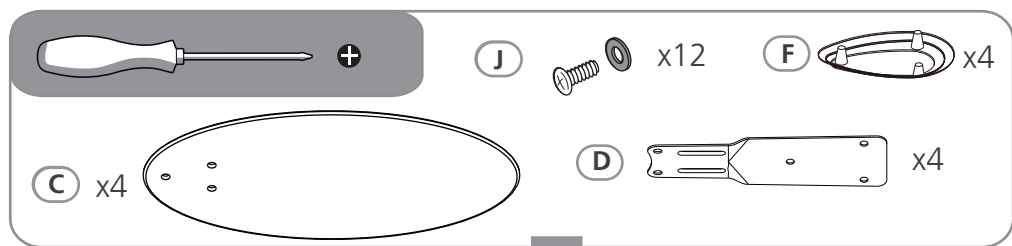
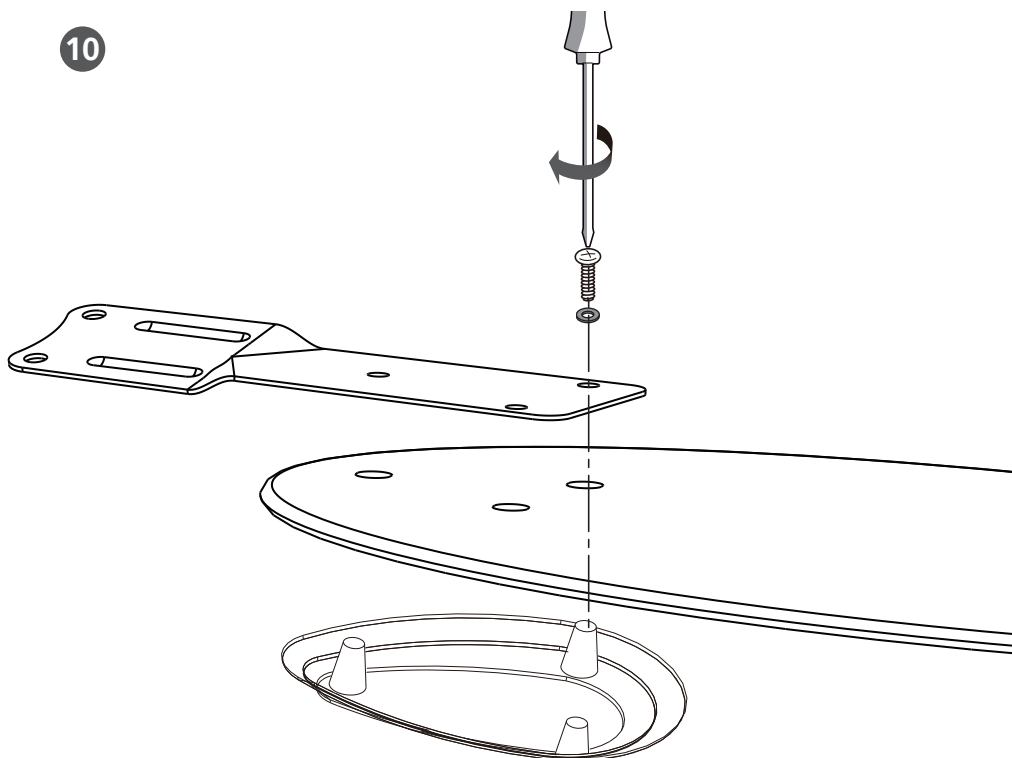




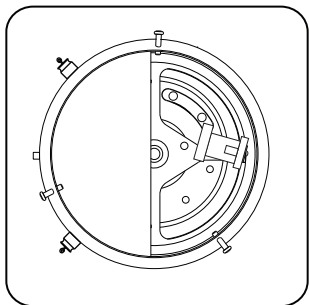
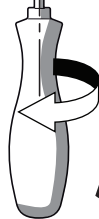
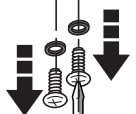
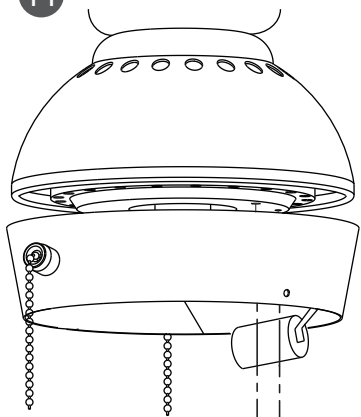
9



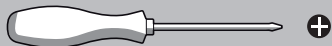
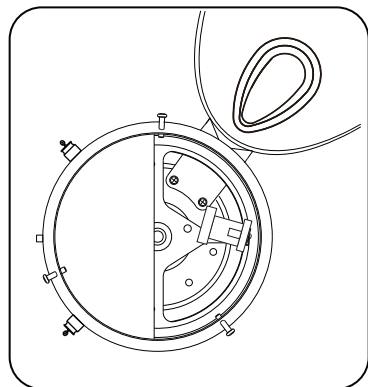
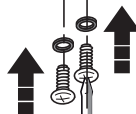
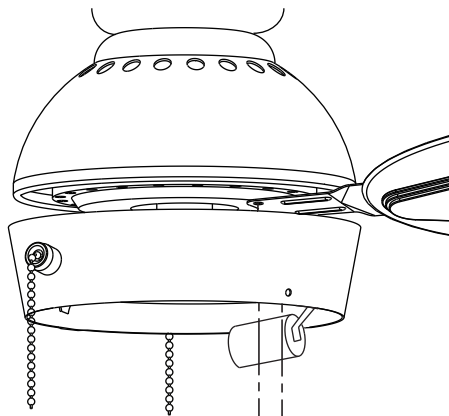
10



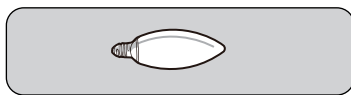
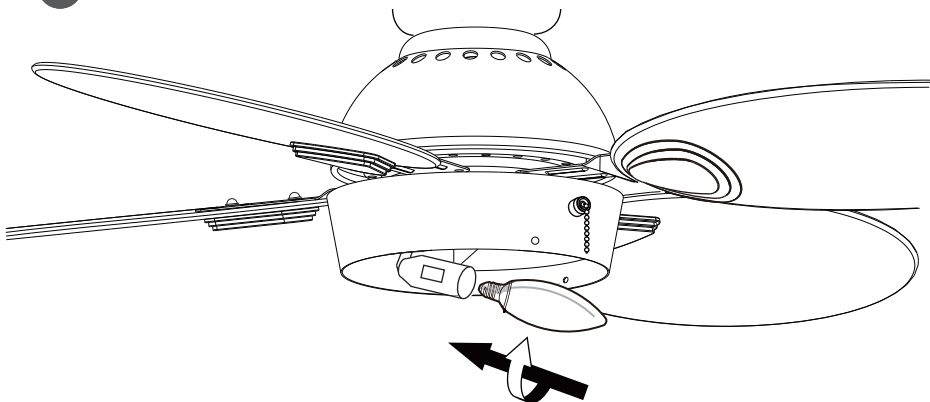
11

**(K)** x 8

12



13



14

