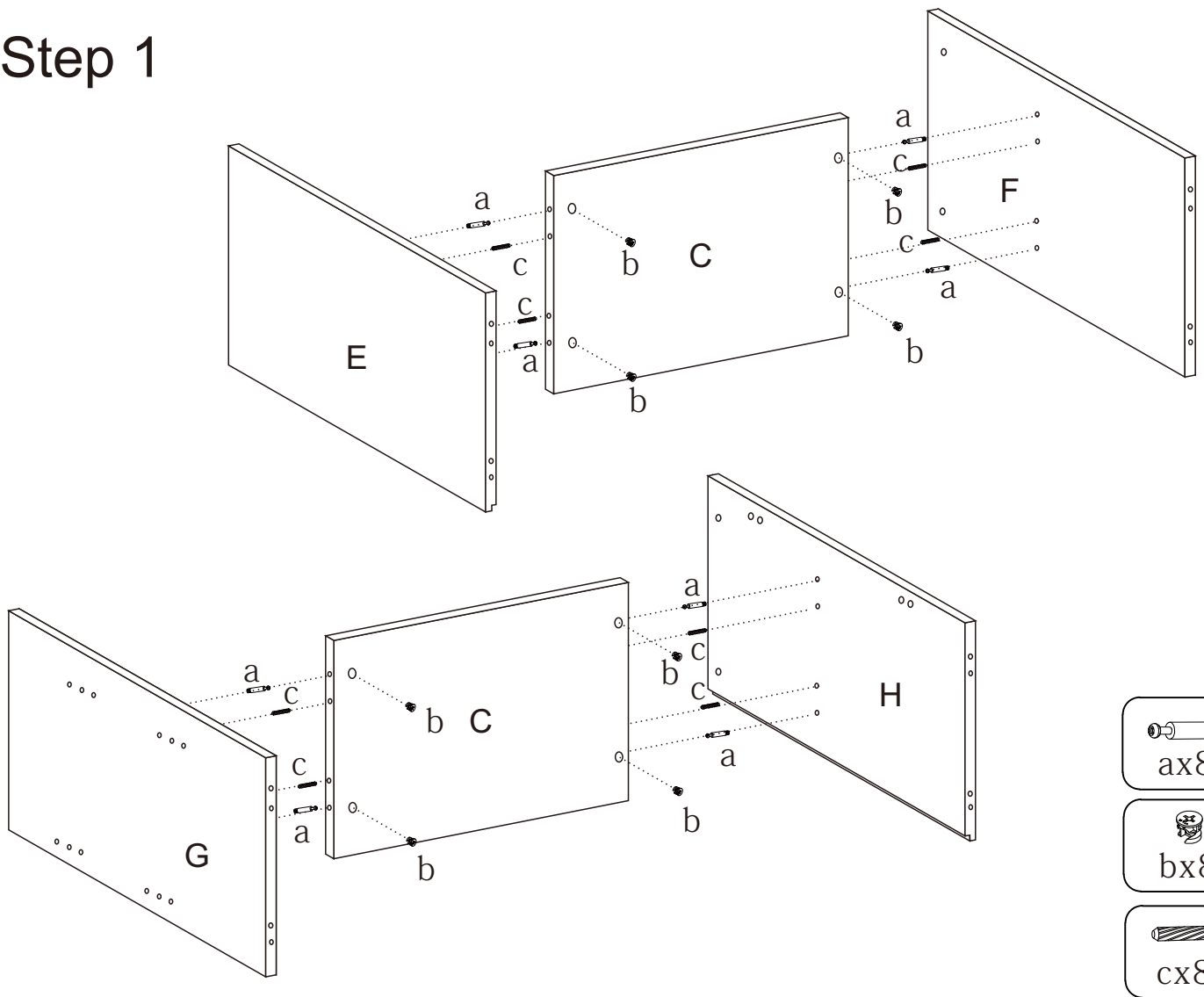
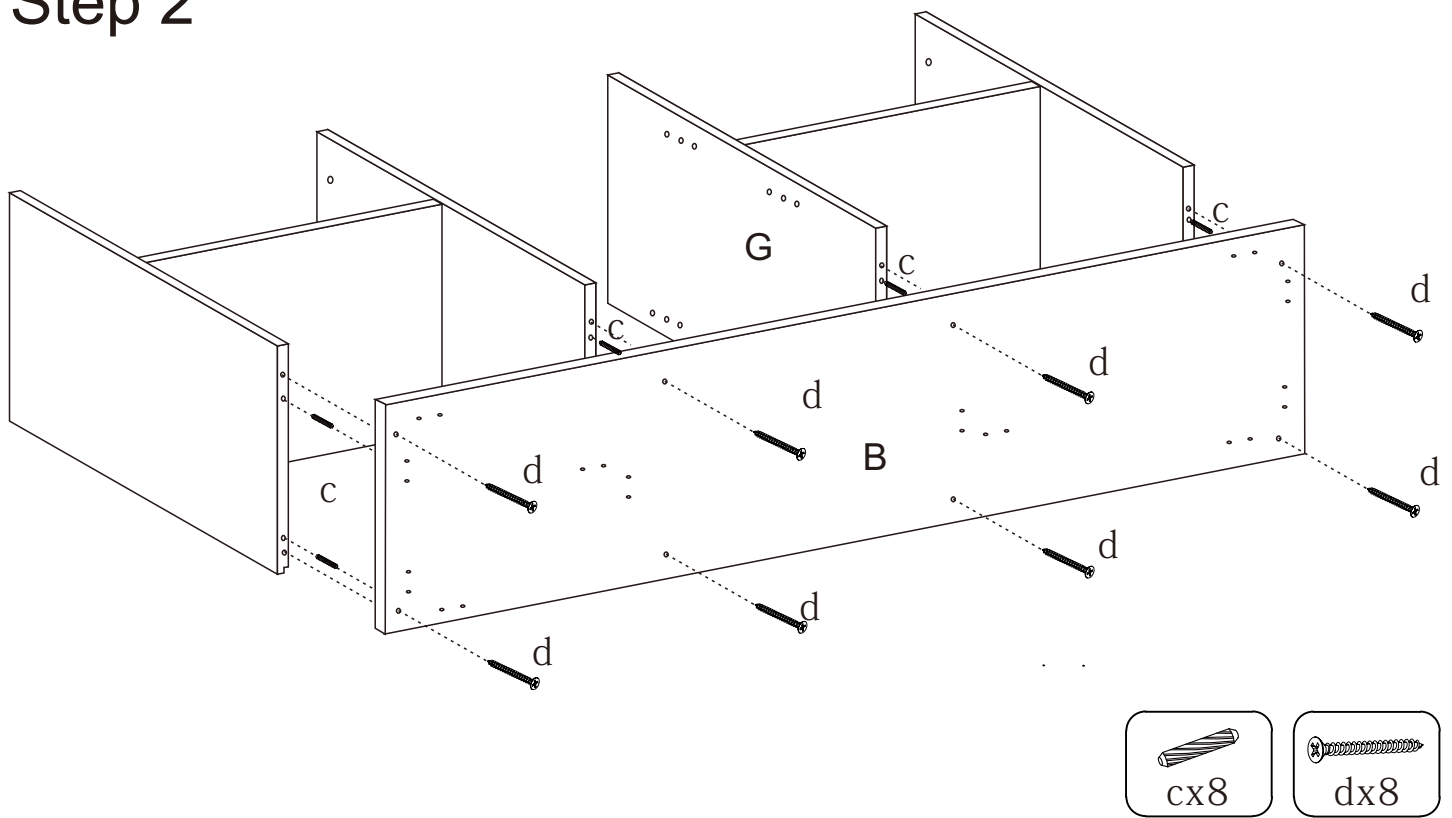


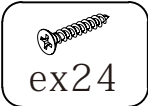
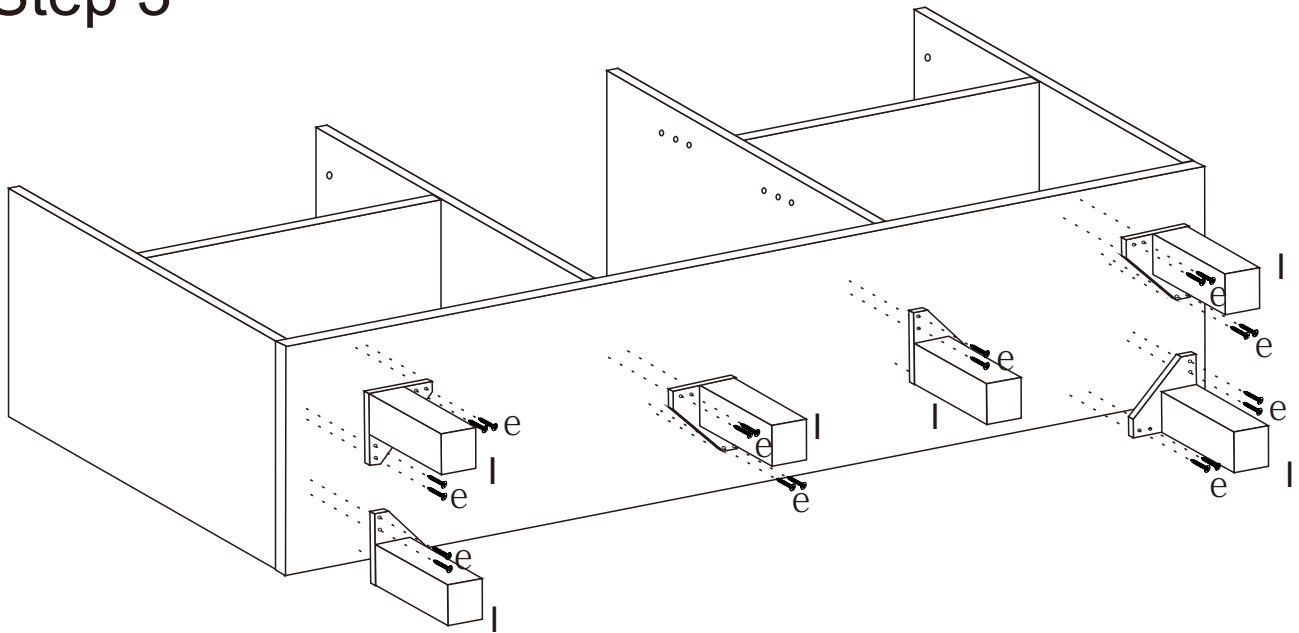
Step 1



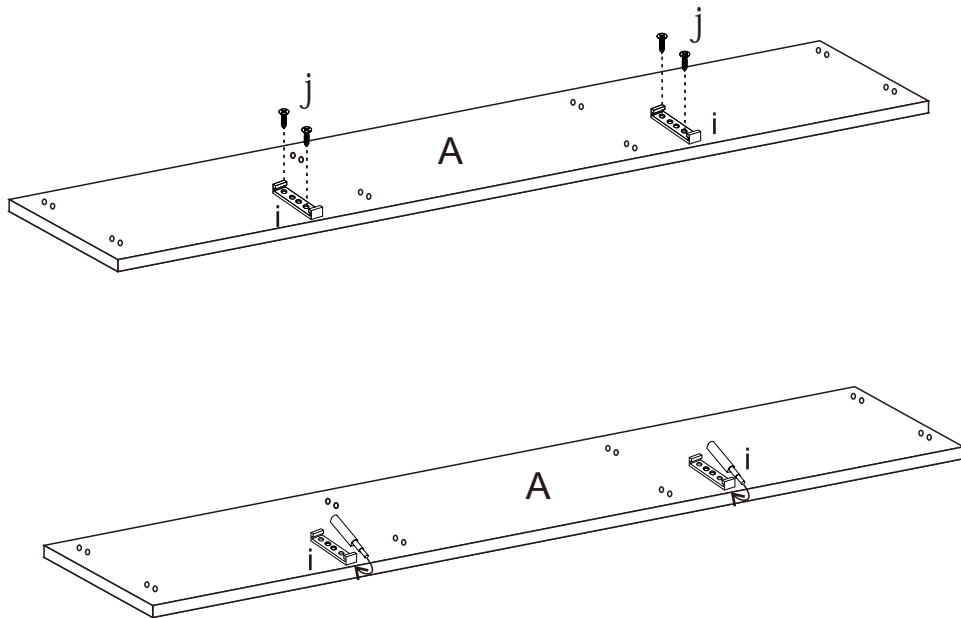
Step 2



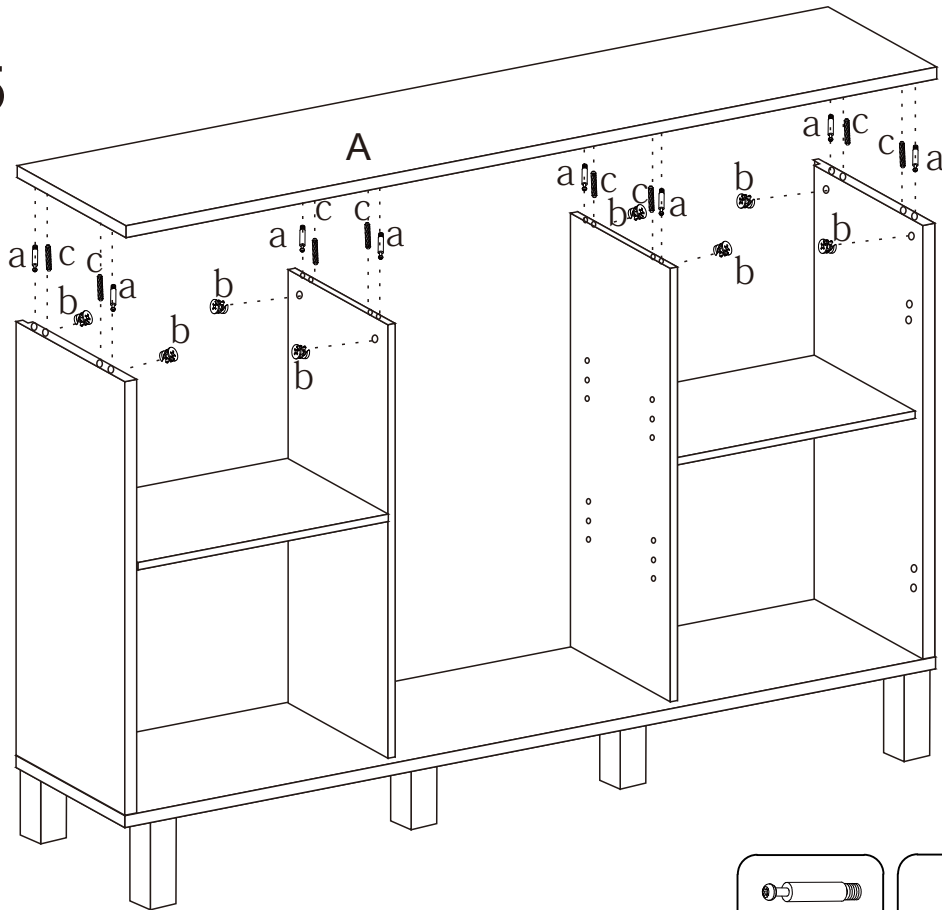
Step 3



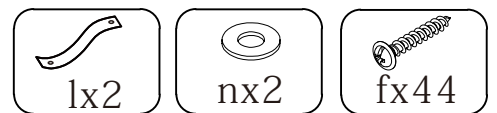
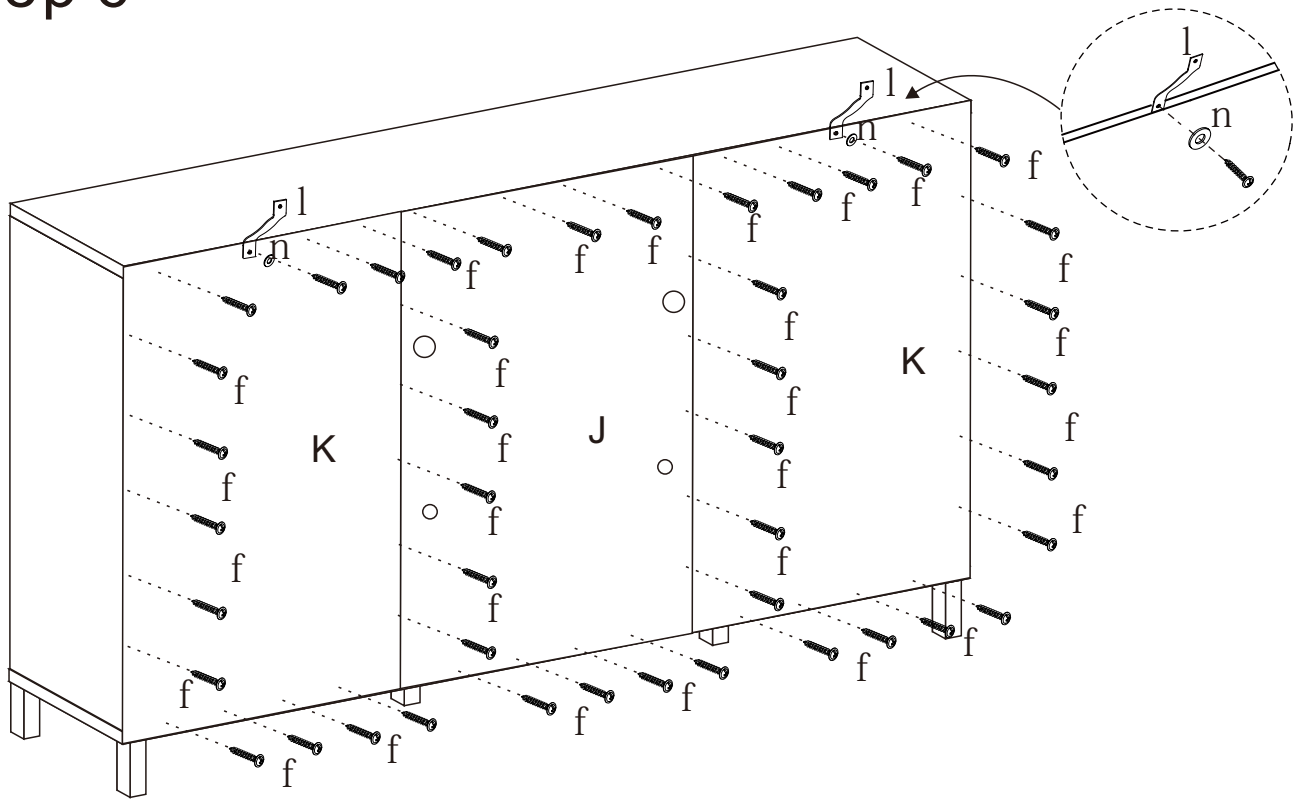
Step 4



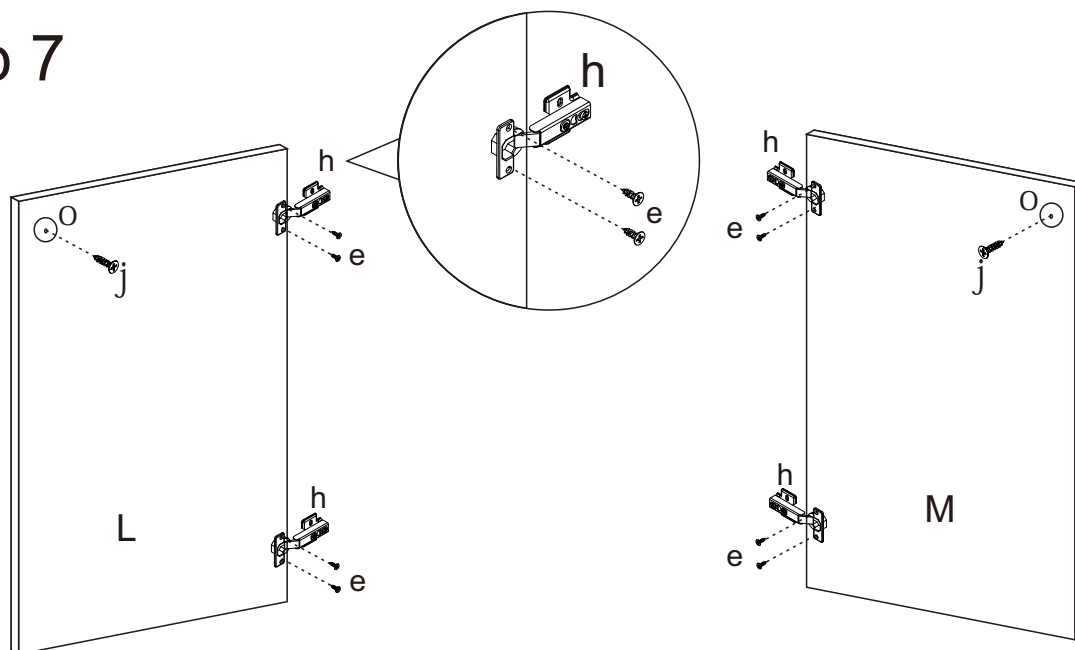
Step 5



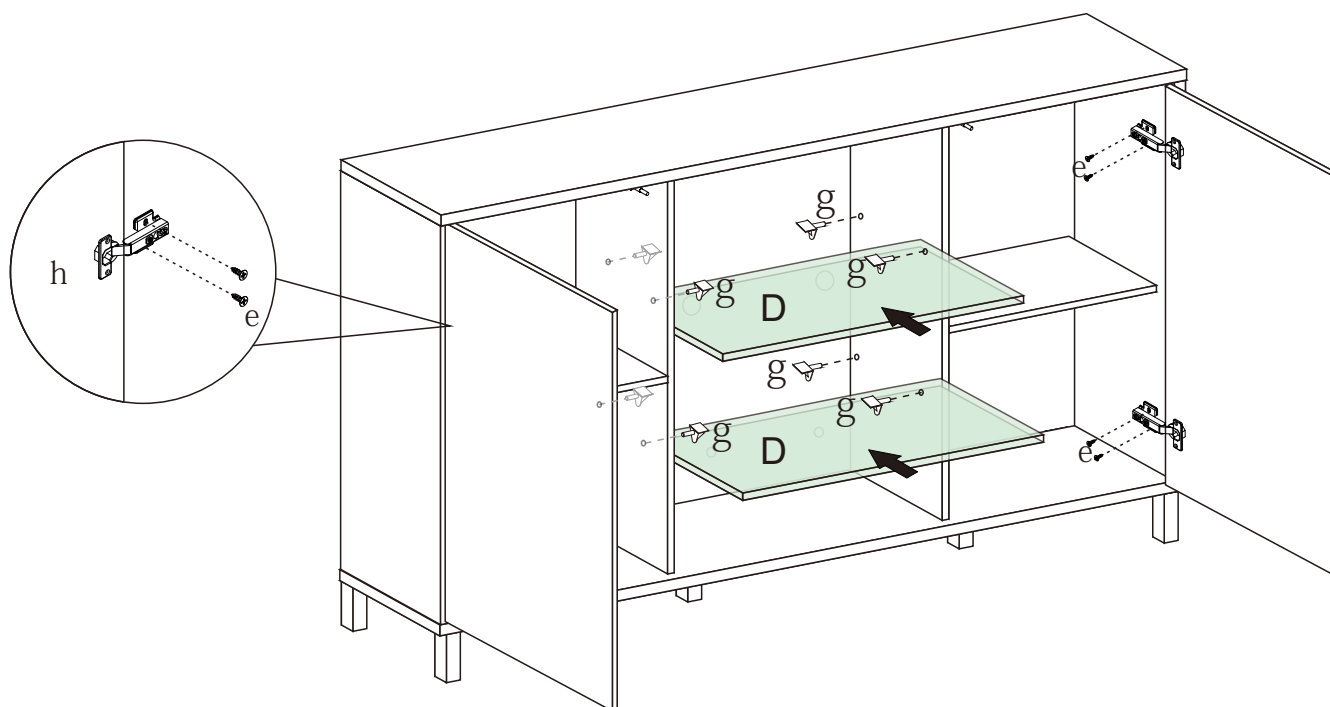
Step 6

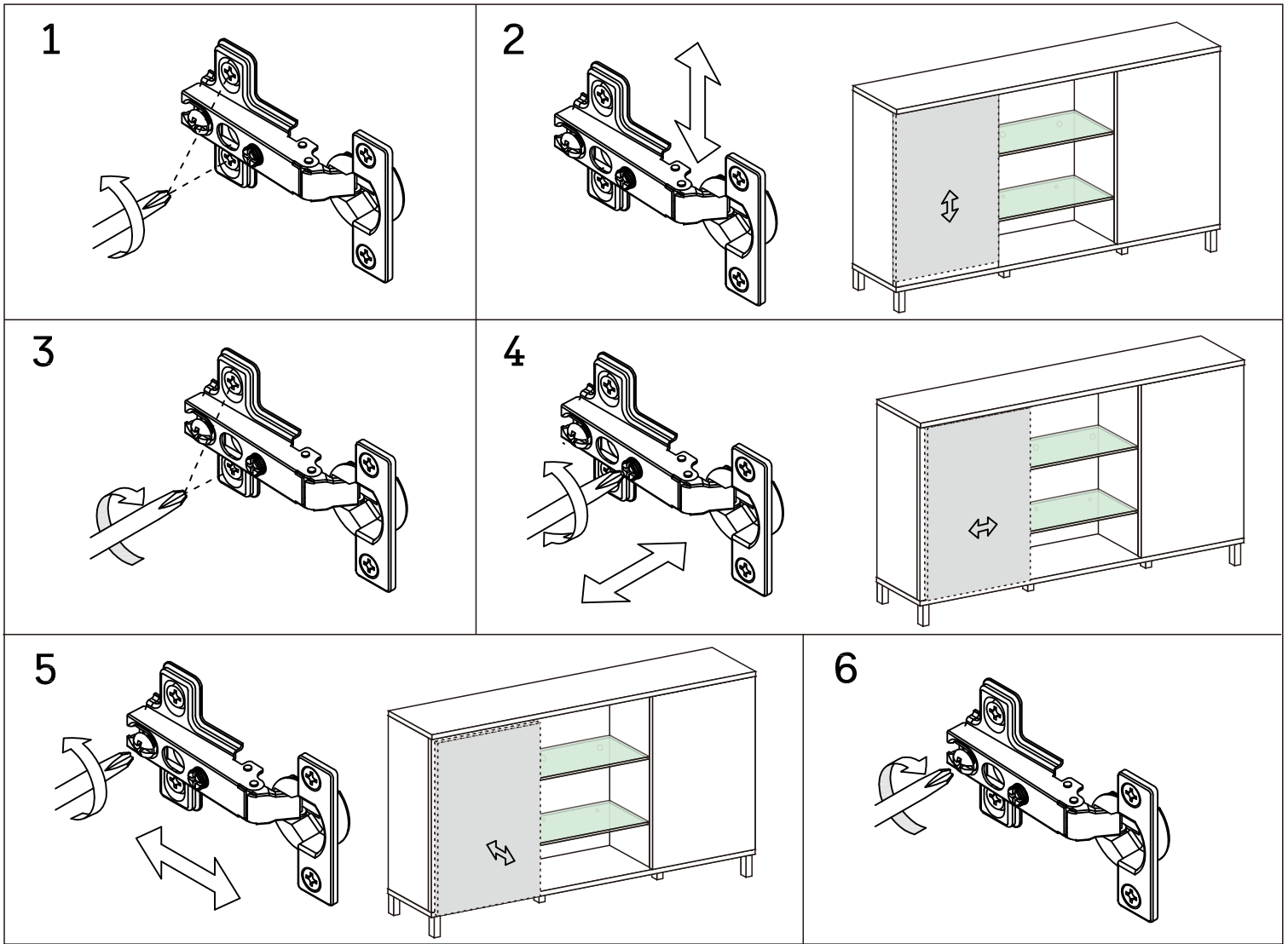


Step 7



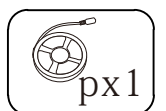
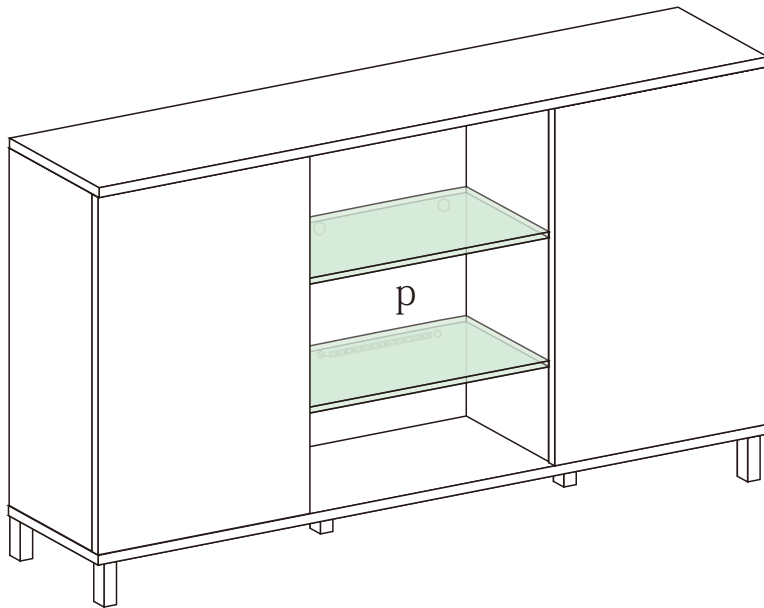
Step 8





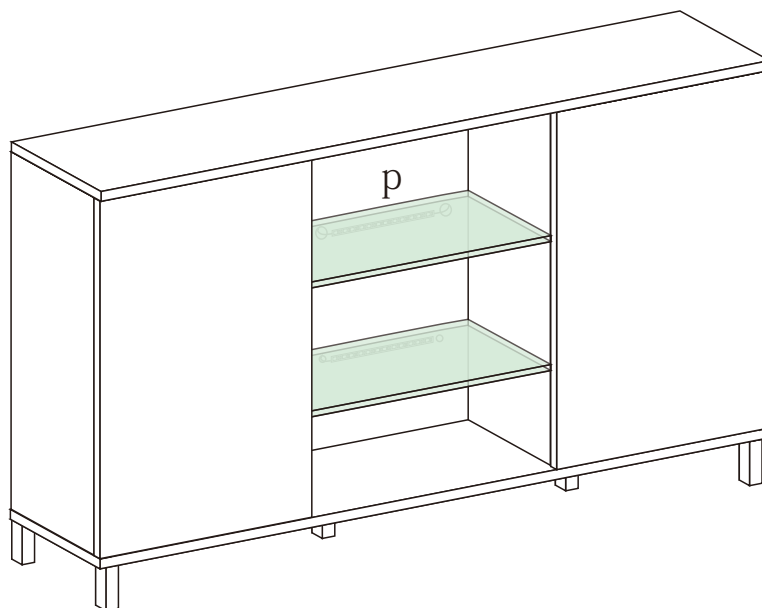
Step 9

Tear down the LED light type back protective layer.
 LED light tape should be paste under the tempered glass.
 Pasting LED light from right to left, cross over the bottom left small hole.



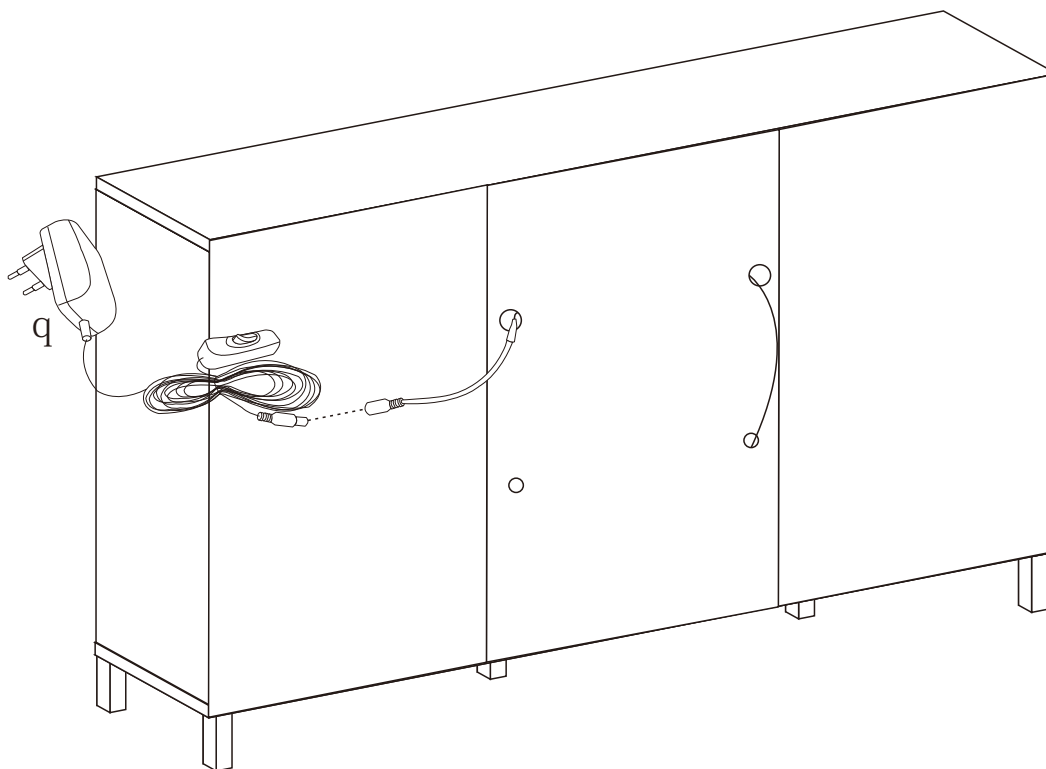
Step 10

Pull up the light tape from left big hole, pasting from left to right, and cross over from the right big hole.



Step 11

Connect the interface of power cord and LED light interface, then connect the electric power, use the switch to control the light on/off.



Step 12

