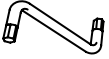


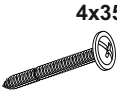





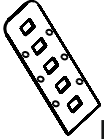

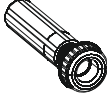

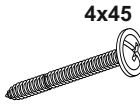



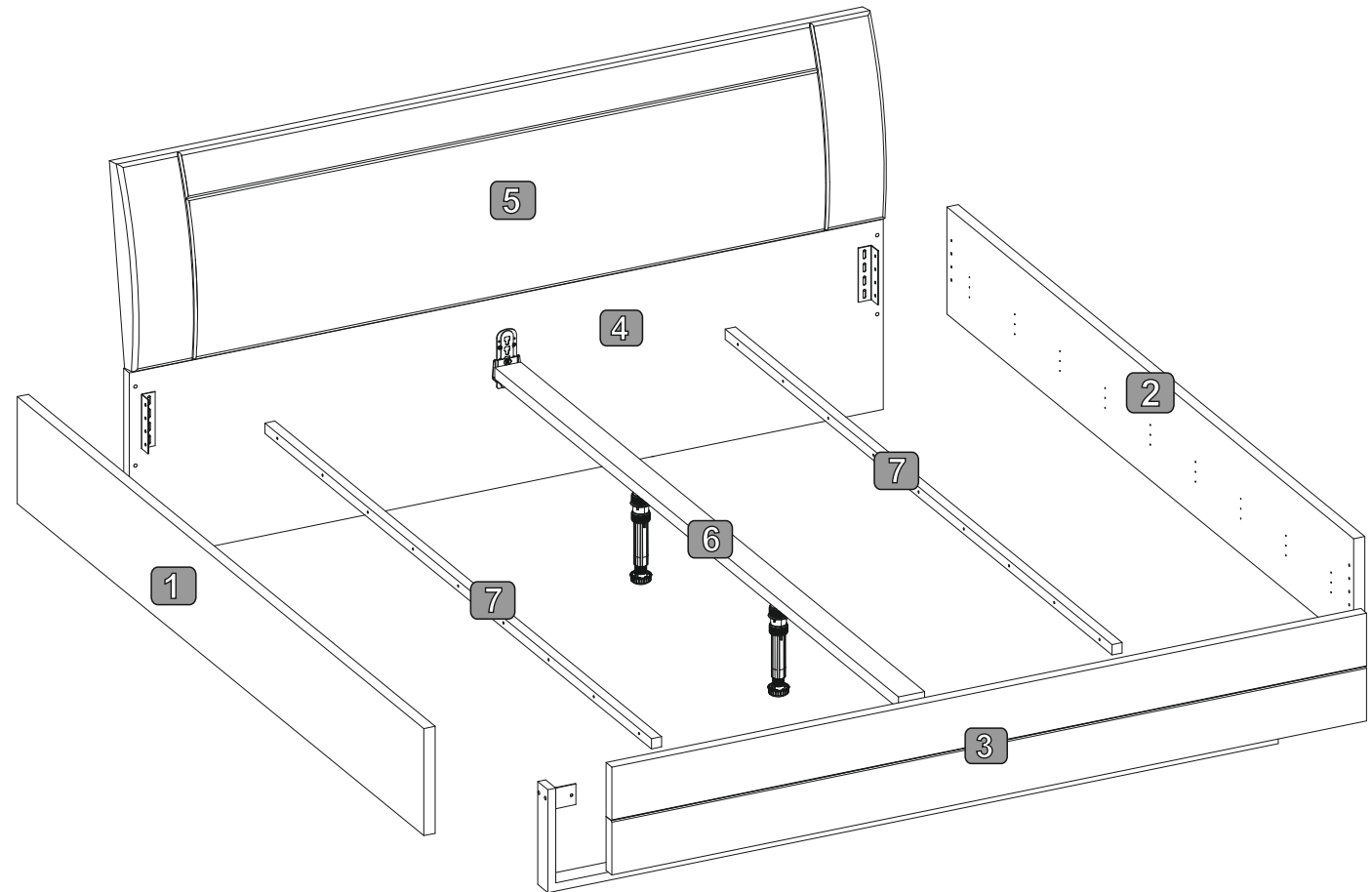
 4x W70	 1x K01	 4x S01	 8x G10	 8x W15	 1x N01	 4x L03	 4x W40	 34x W29
 2x L02	 2x L02	 16x W25	 2x NOG	 4x REG	 18x W17	 3x N02	 12x W36	 12x W28


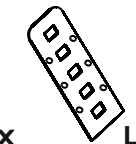
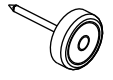
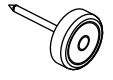
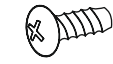
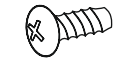
NR	DIM	QTE	COLLI
1	2015x260x28	1	1/3
2	2015x260x28	1	1/3
3	1870x262x28	1	2/3
4	1868x462x28	1	2/3
5	1866x480x80	1	3/3
6	2001x65x28	1	1/3
7	1916x25x25	2	1/3

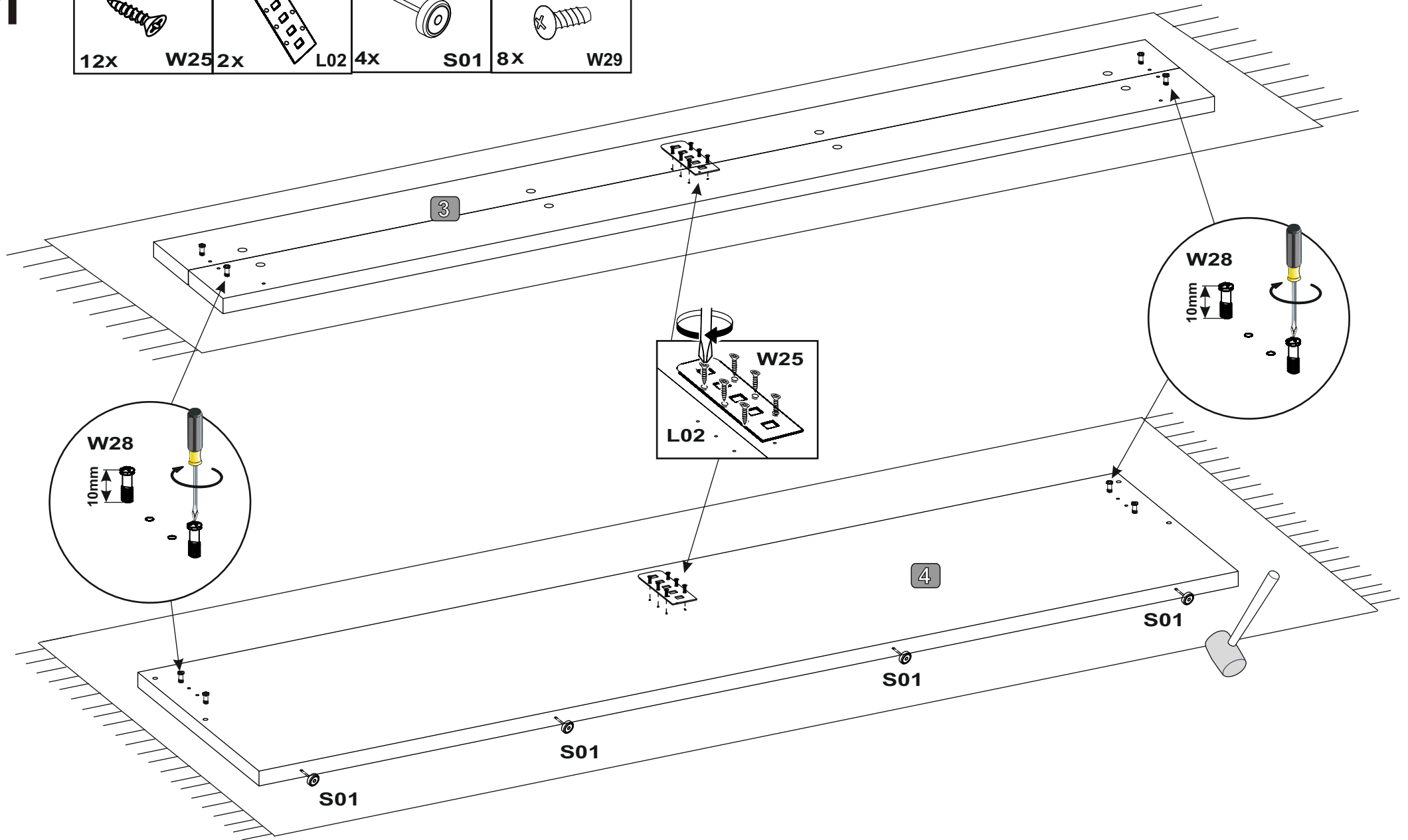


0 10 20 30 40 50 60 70 80 90 100 110 120 130 140 150 160 170 180 190 200



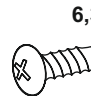





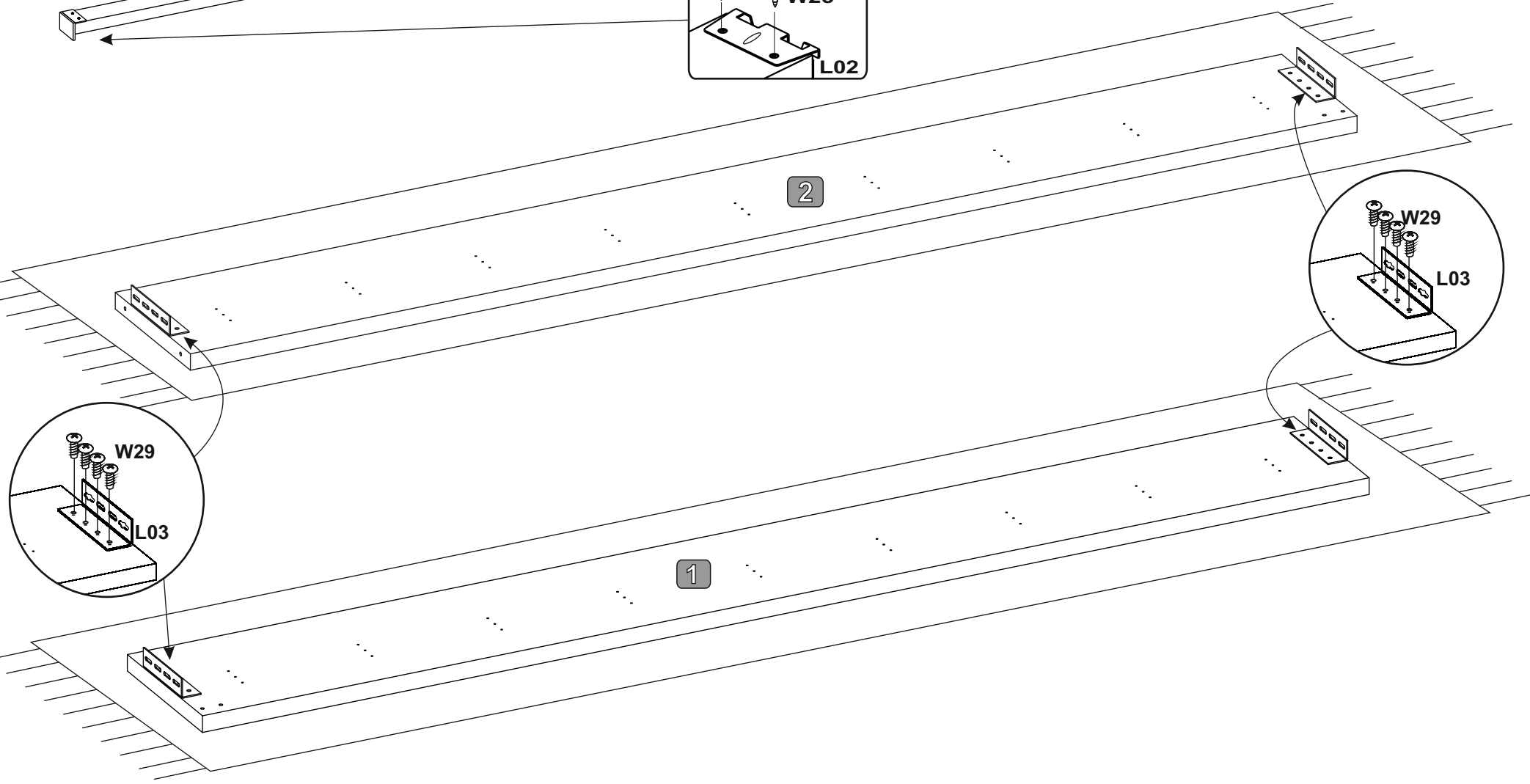
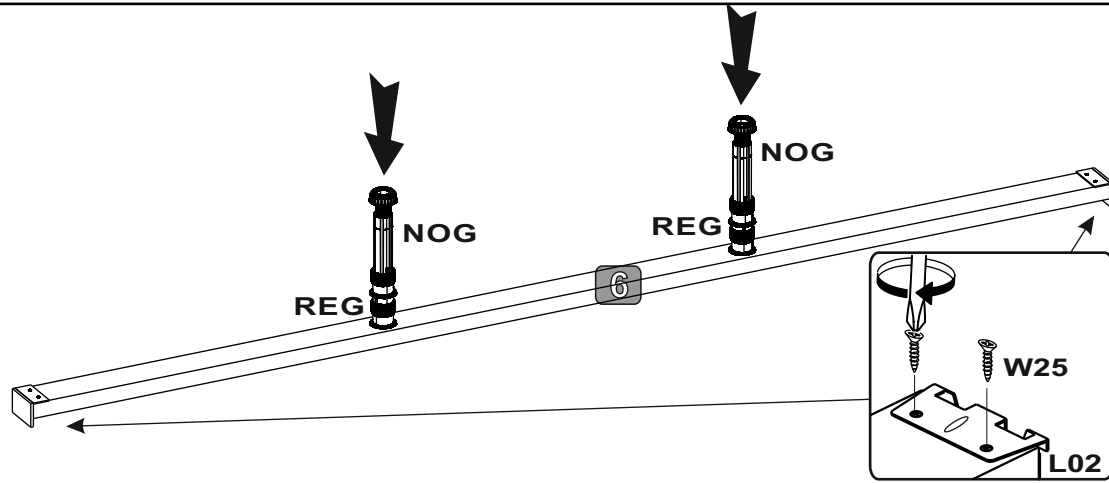
1

 4x16	 W25	 L02	 S01	 6,3x20	 W29
12X	2X	4X	8X		

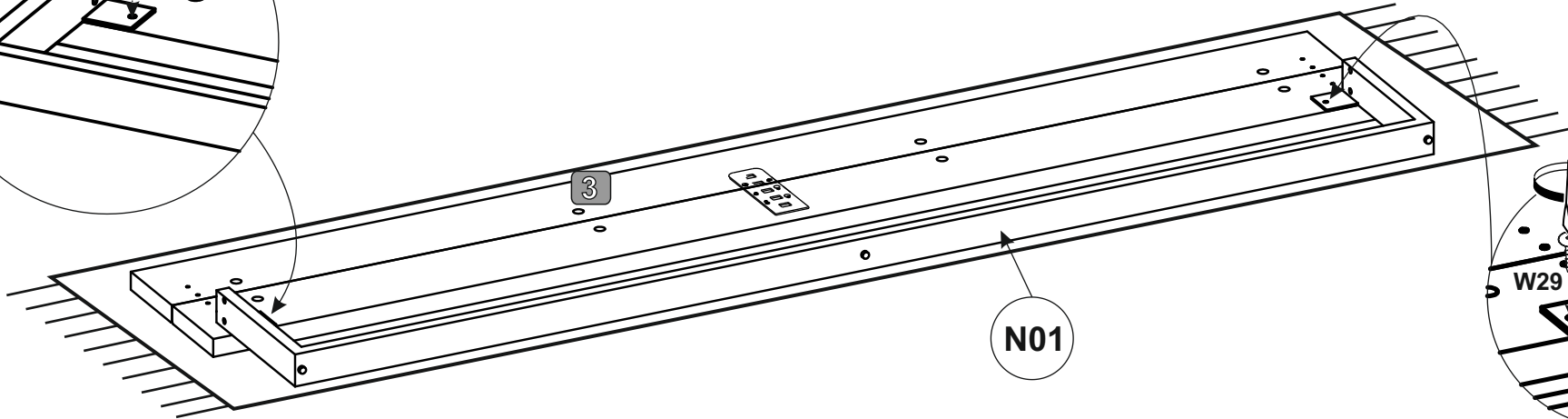
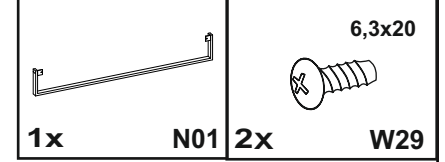
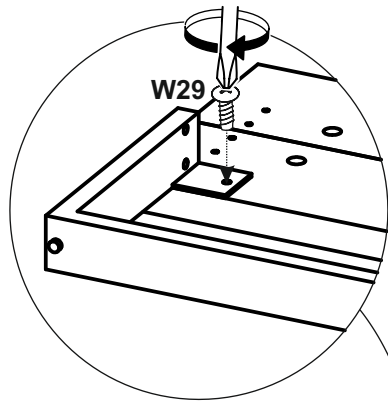


2

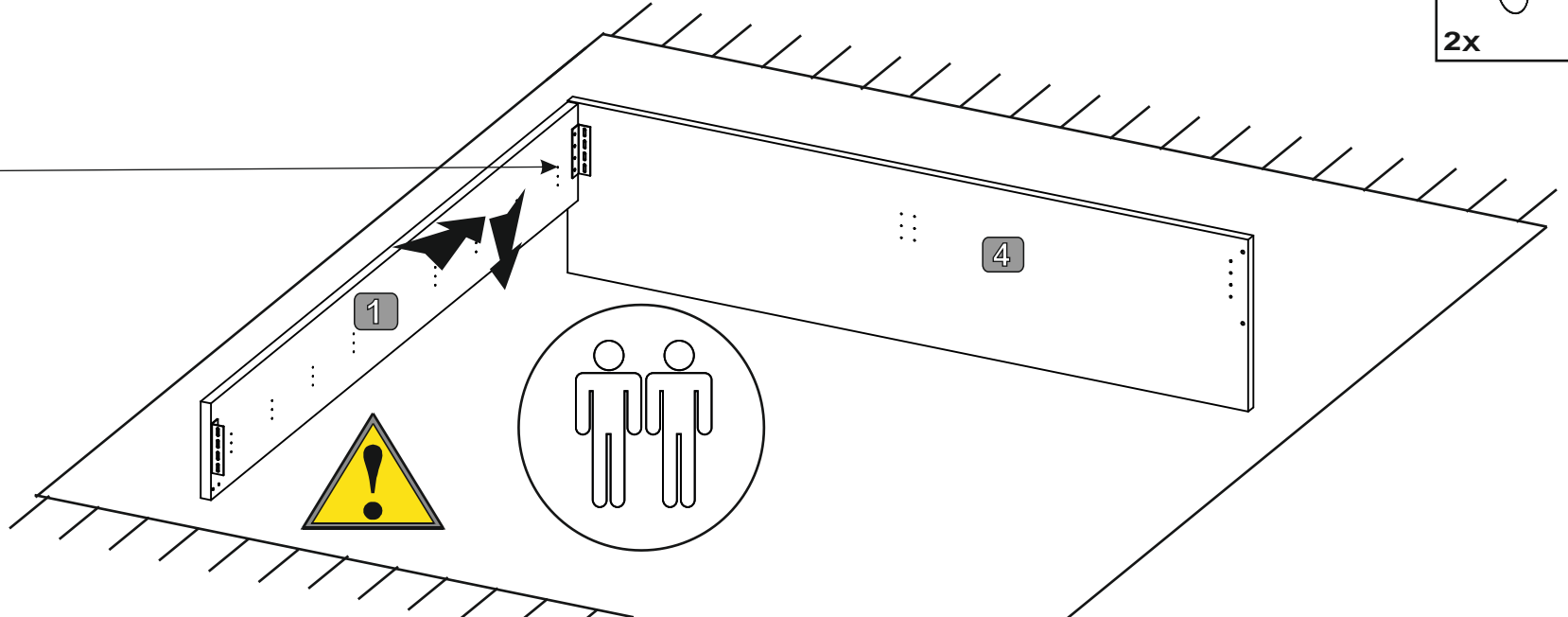
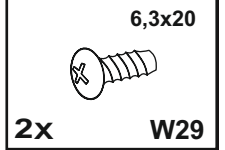
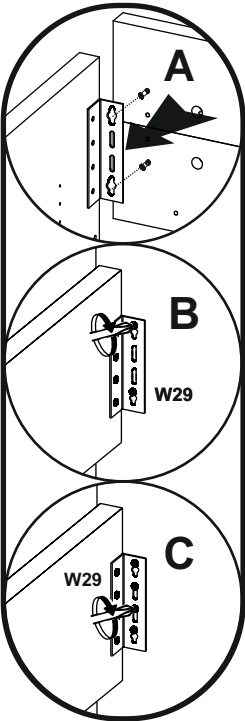
 2x NOG	 4x REG	 16x W29	 4x L03
		 2x L02	 4x W25



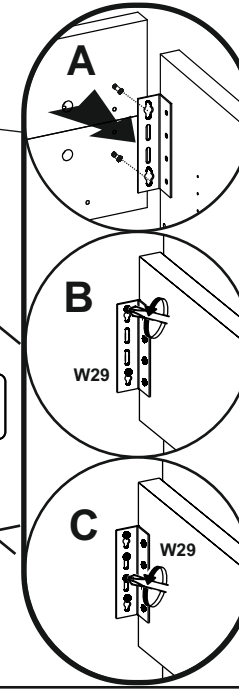
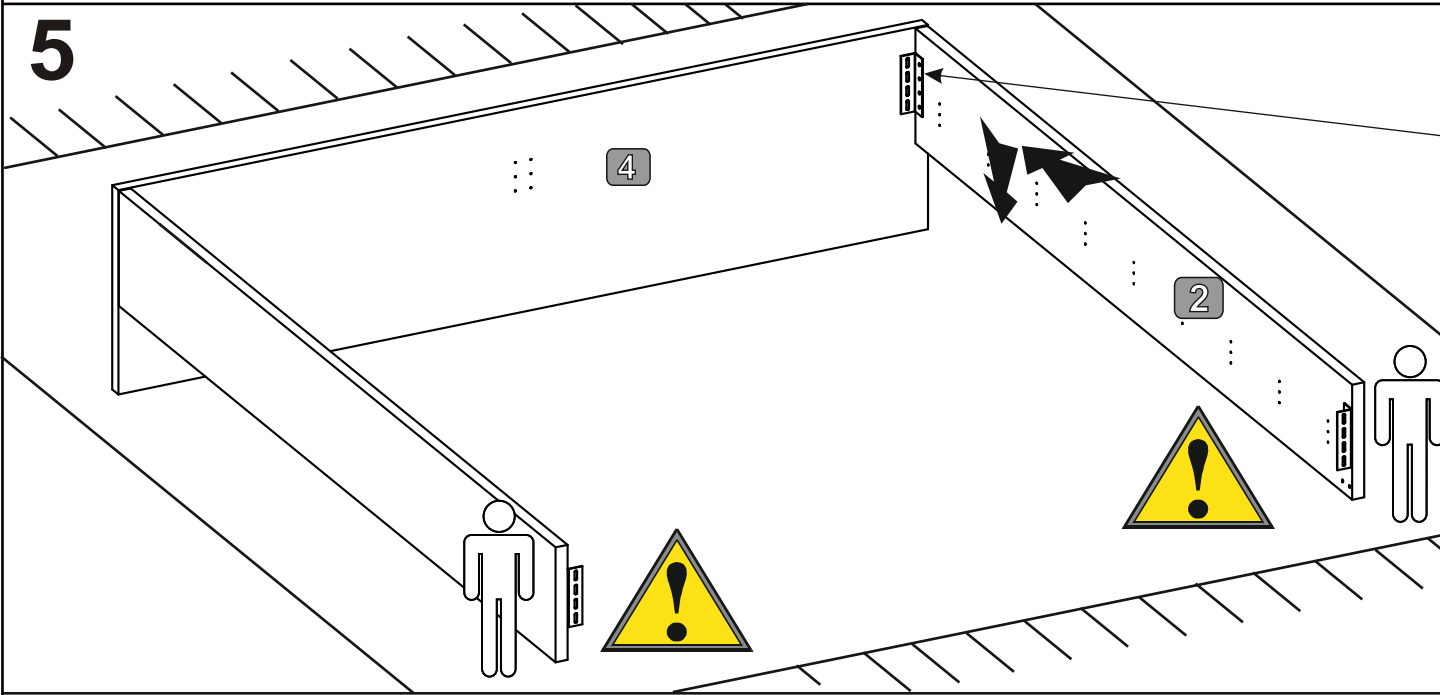
3



4

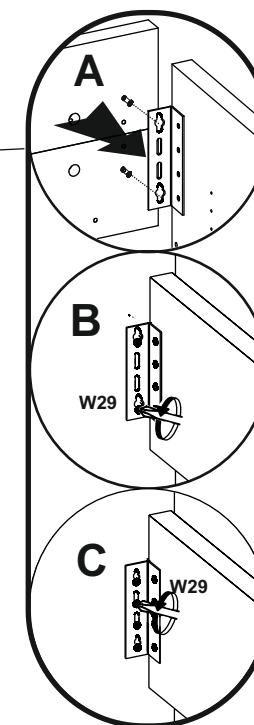
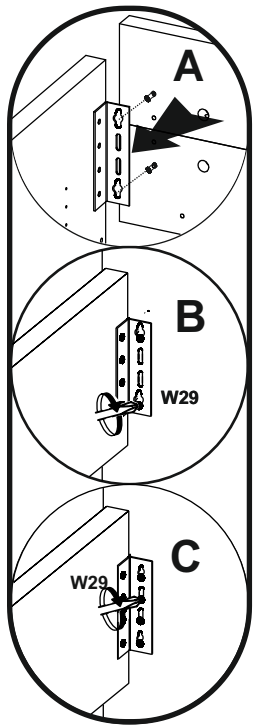
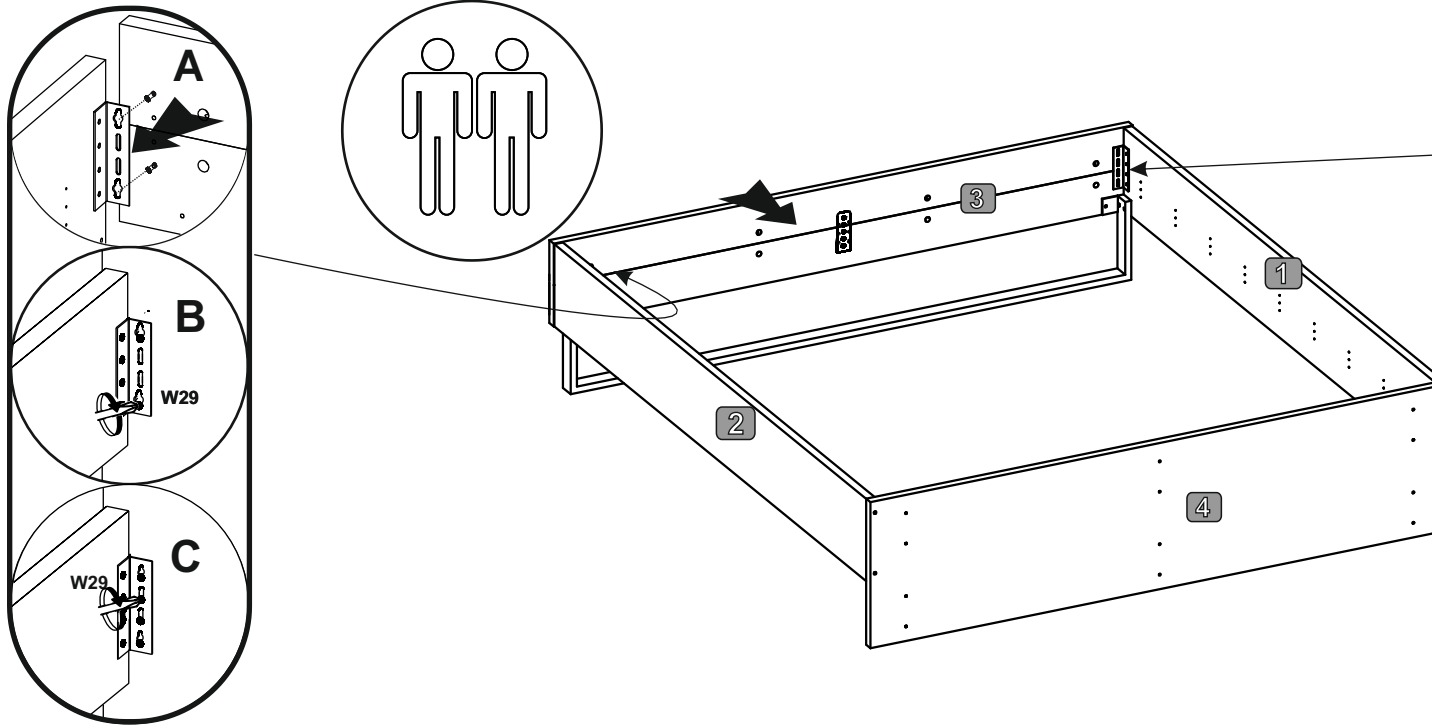


5







6,3x20
2x W29

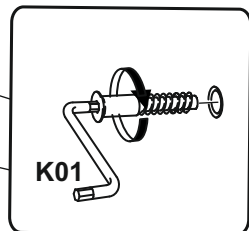
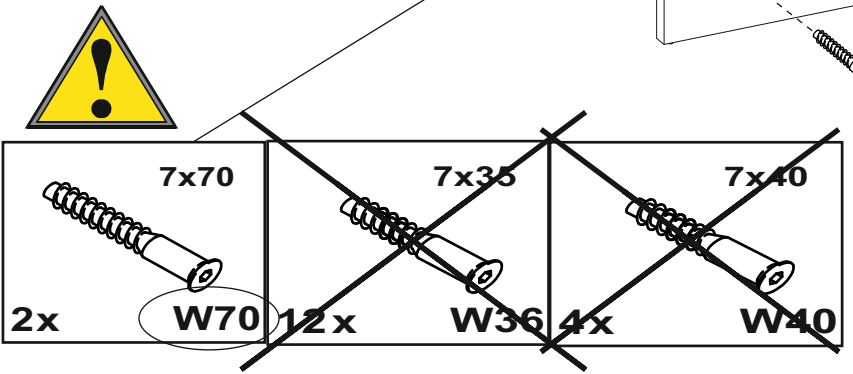
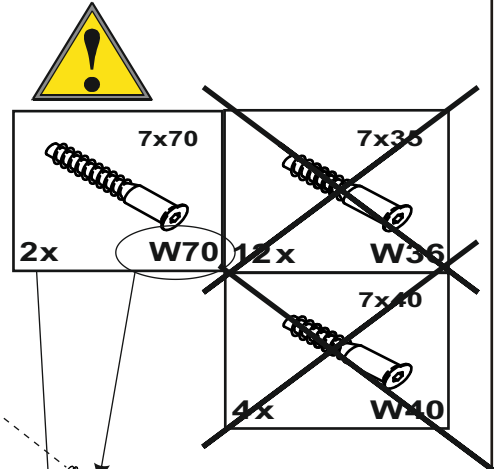
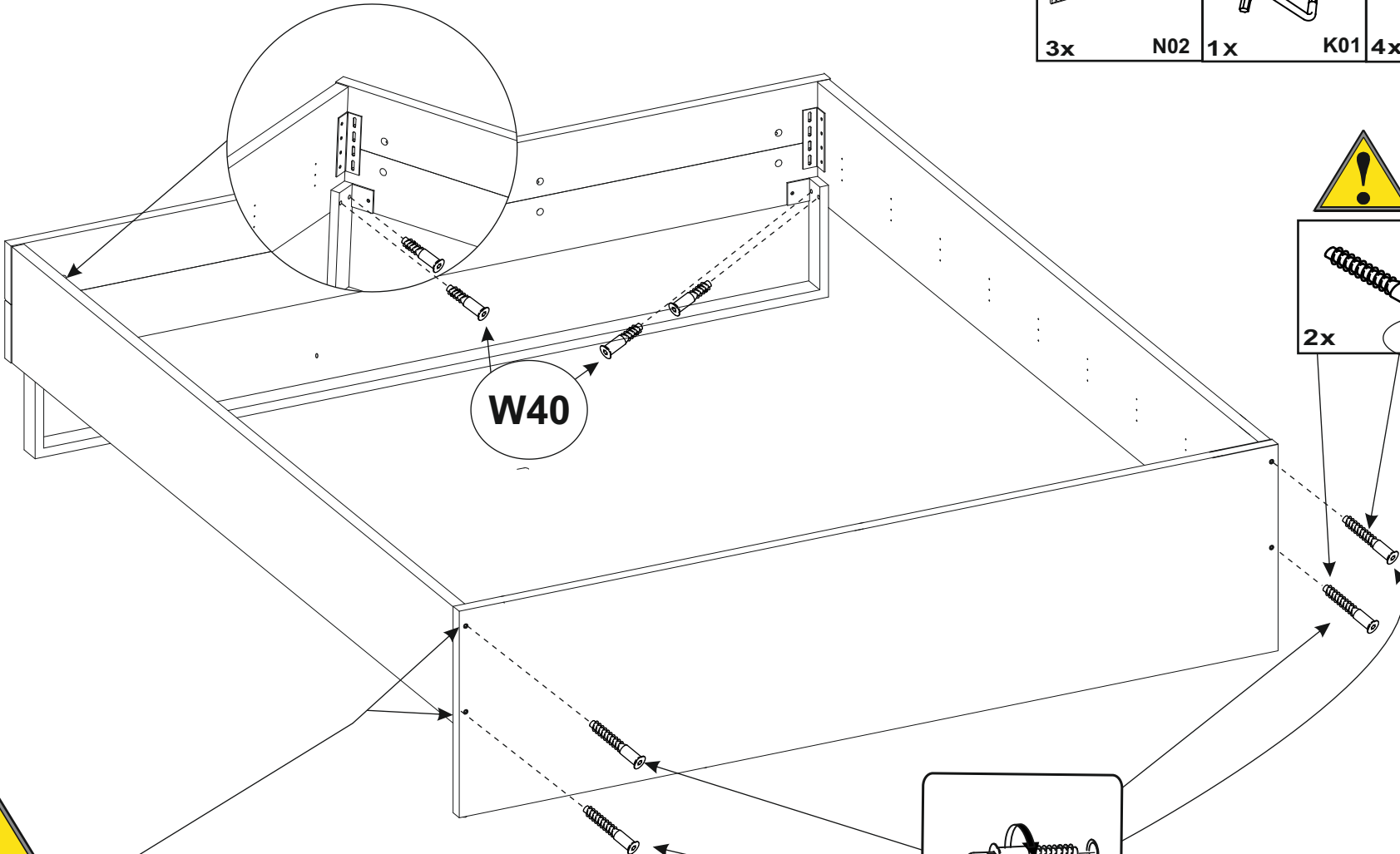
6



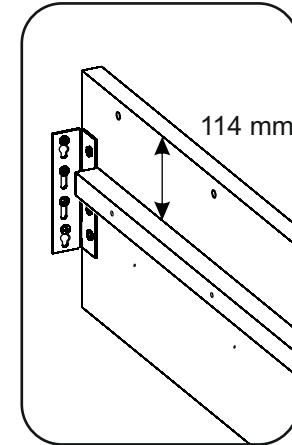
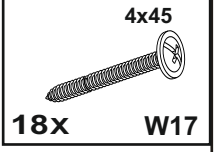
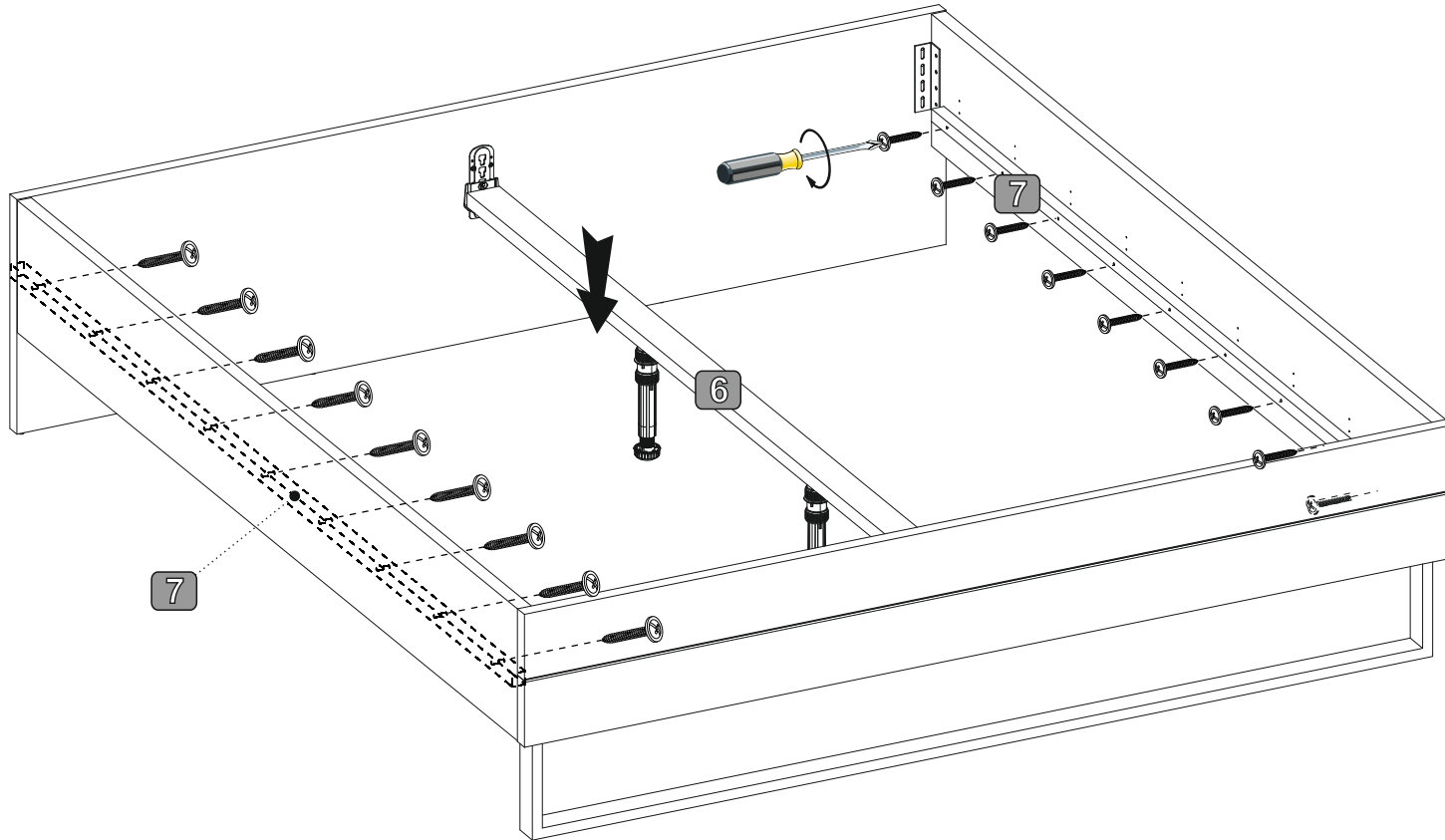
6,3x20
4x W29

7

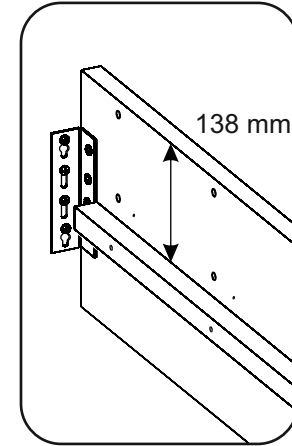
 3x N02	 1x K01	 4x W40	 4x W70
---	---	---	---



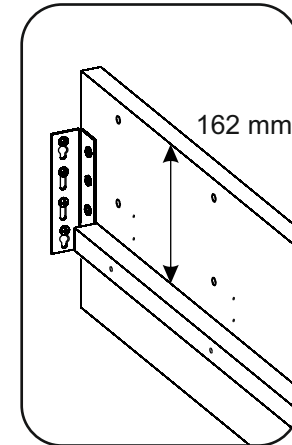
8



V. A

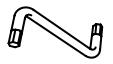




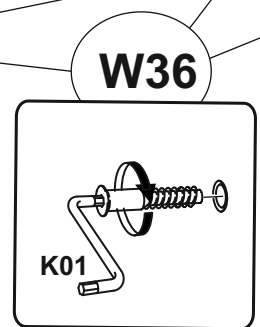
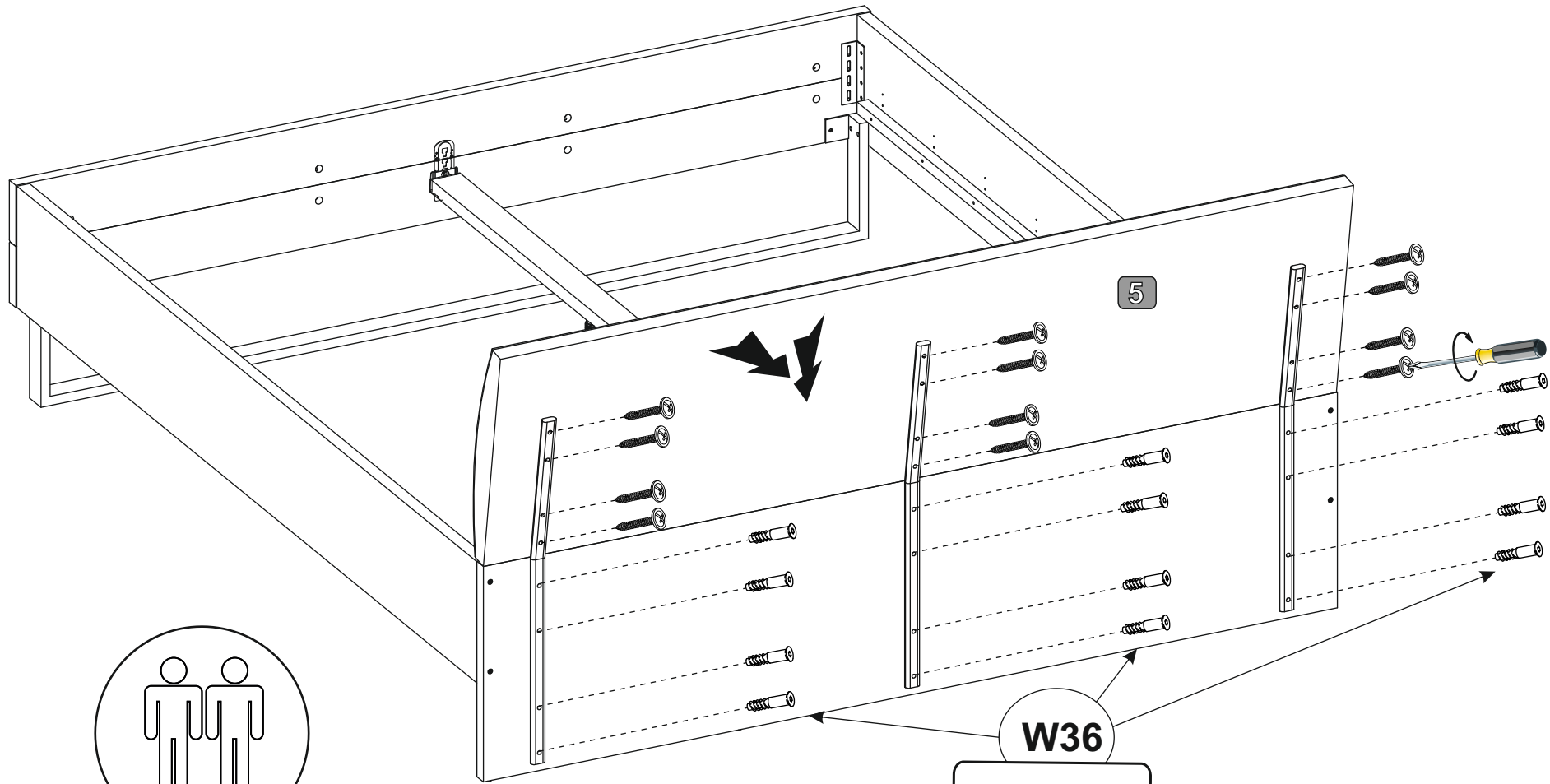
V. B



V. C

9

 1x K01	 7x35 12x W36	 4x40 12x W28
---	--	--



10

