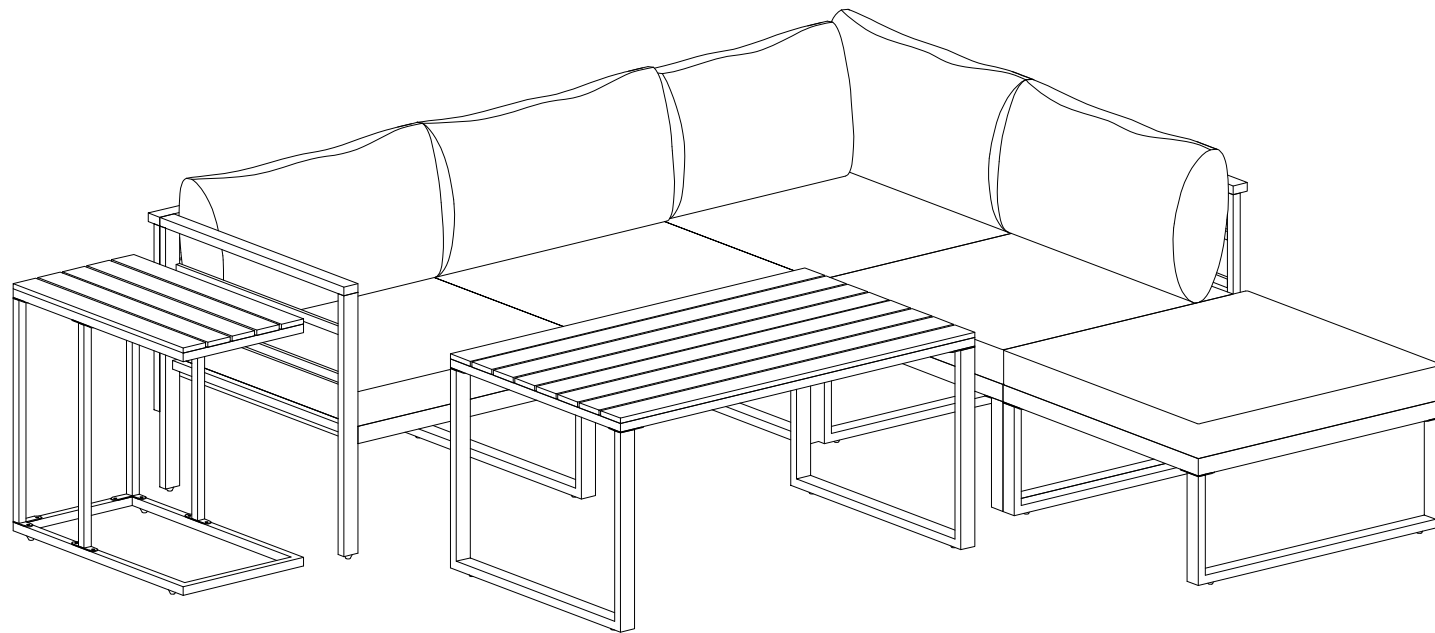
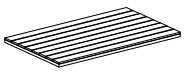
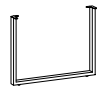





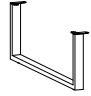
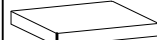
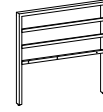


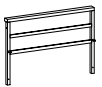
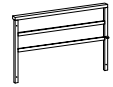





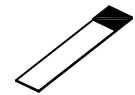
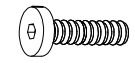
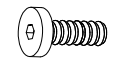




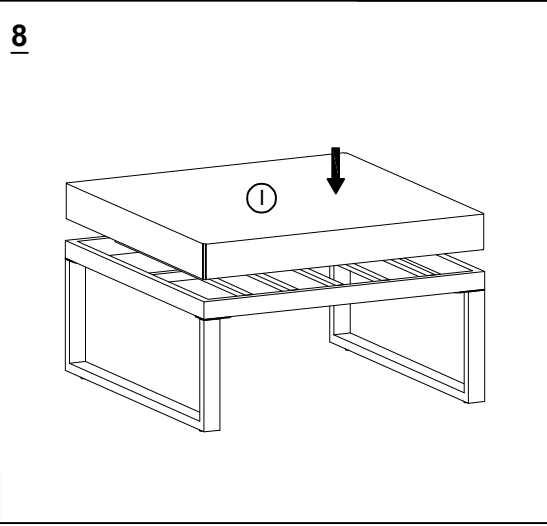
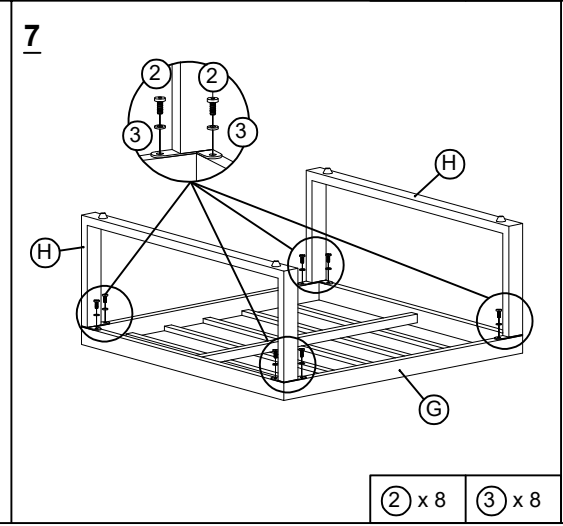
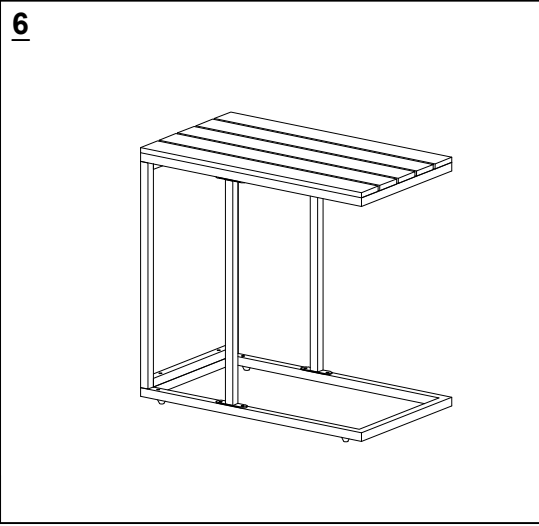
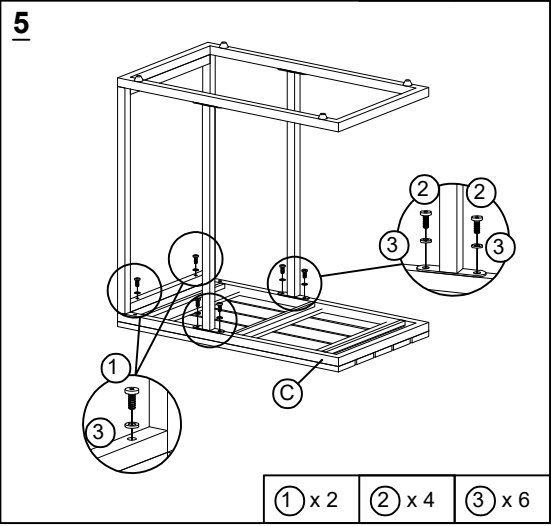
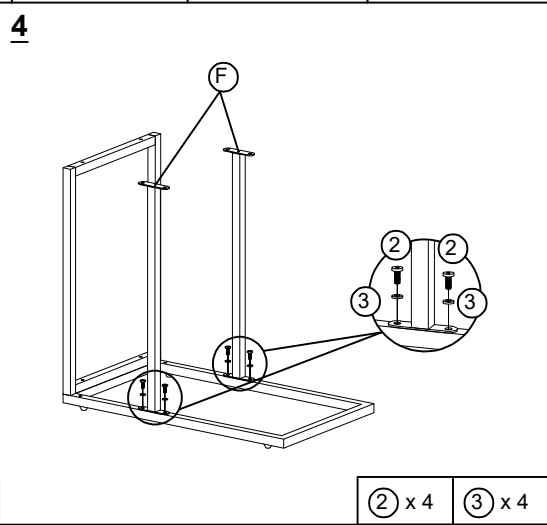
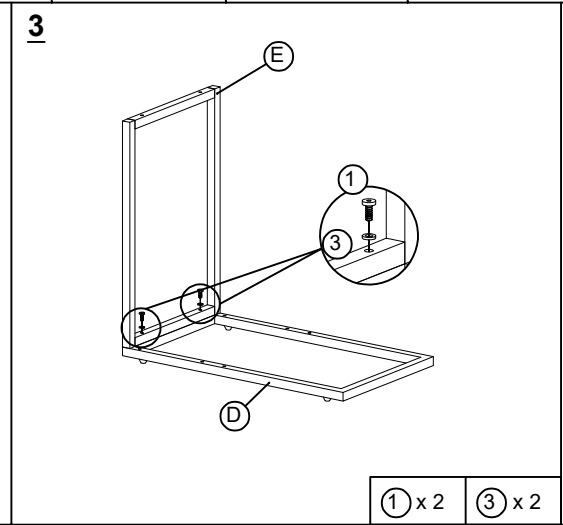
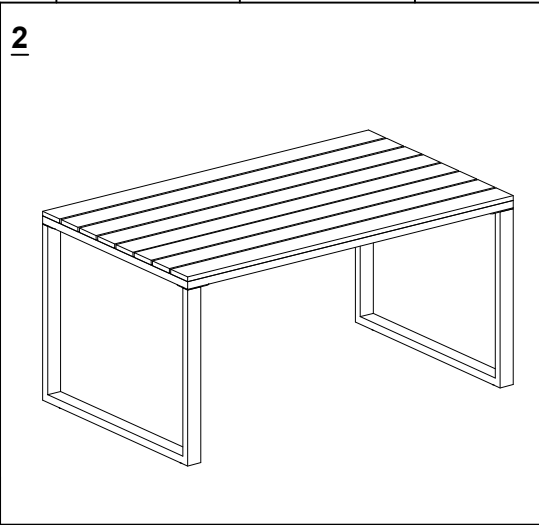
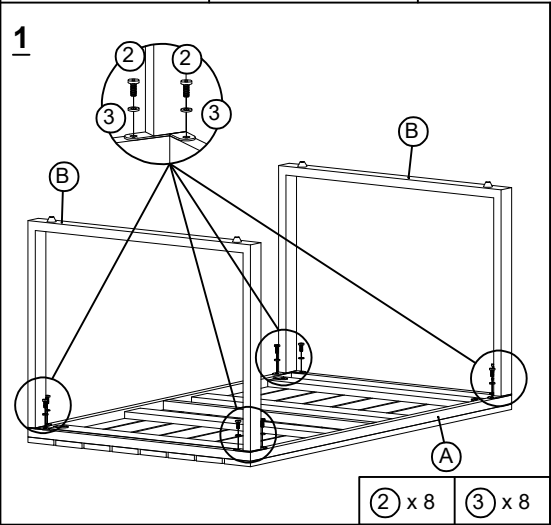
ASSEMBLY ISNTRUCTION

Article No.: 20140149/01



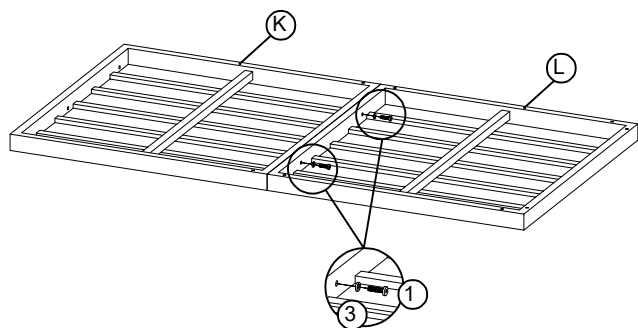
20140149/01

 A x 1	 B x 2	 C x 1	 D x 1	 E x 1	 F x 2	 G x 1	 H x 2	 I x 8	 J x 2	 K x 2	 L x 2
 M x 2	 N x 2	 O x 2	 P x 2	 Q x 4	 R x 4	 S x 1	 T x 2	 1 x 26	 2 x 46	 3 x 72	 5 x 2



20140149/01

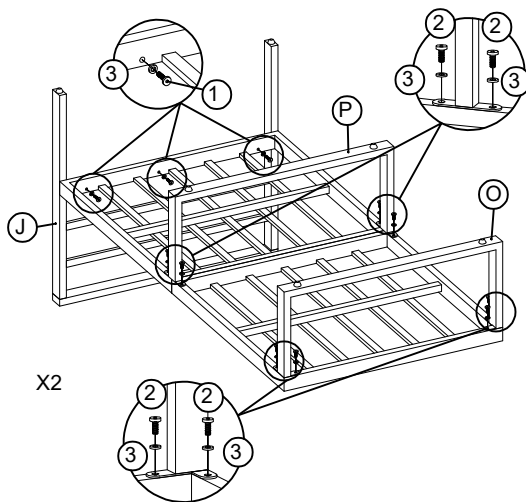
9



X2

① x 4 ③ x 4

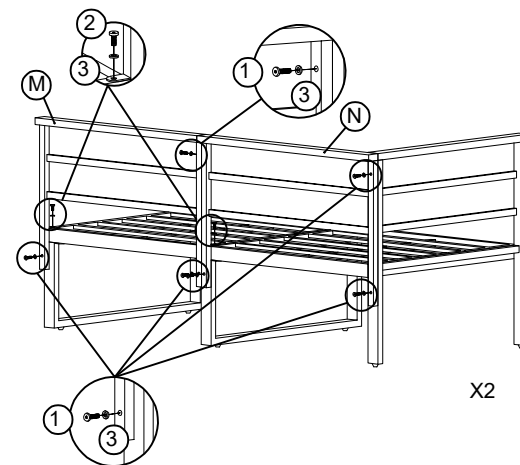
10



X2

① x 6 ② x 16 ③ x 22

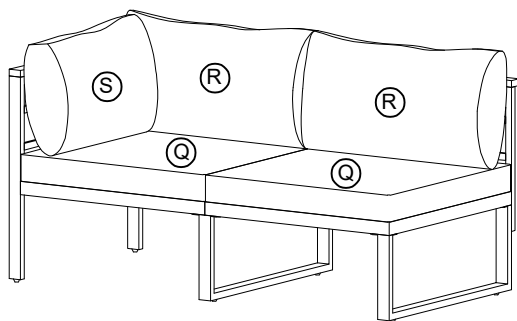
11



X2

① x 12 ② x 6 ③ x 18

12



X2

