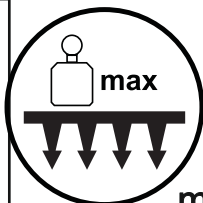
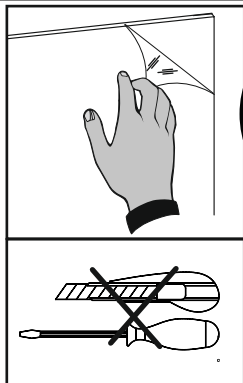
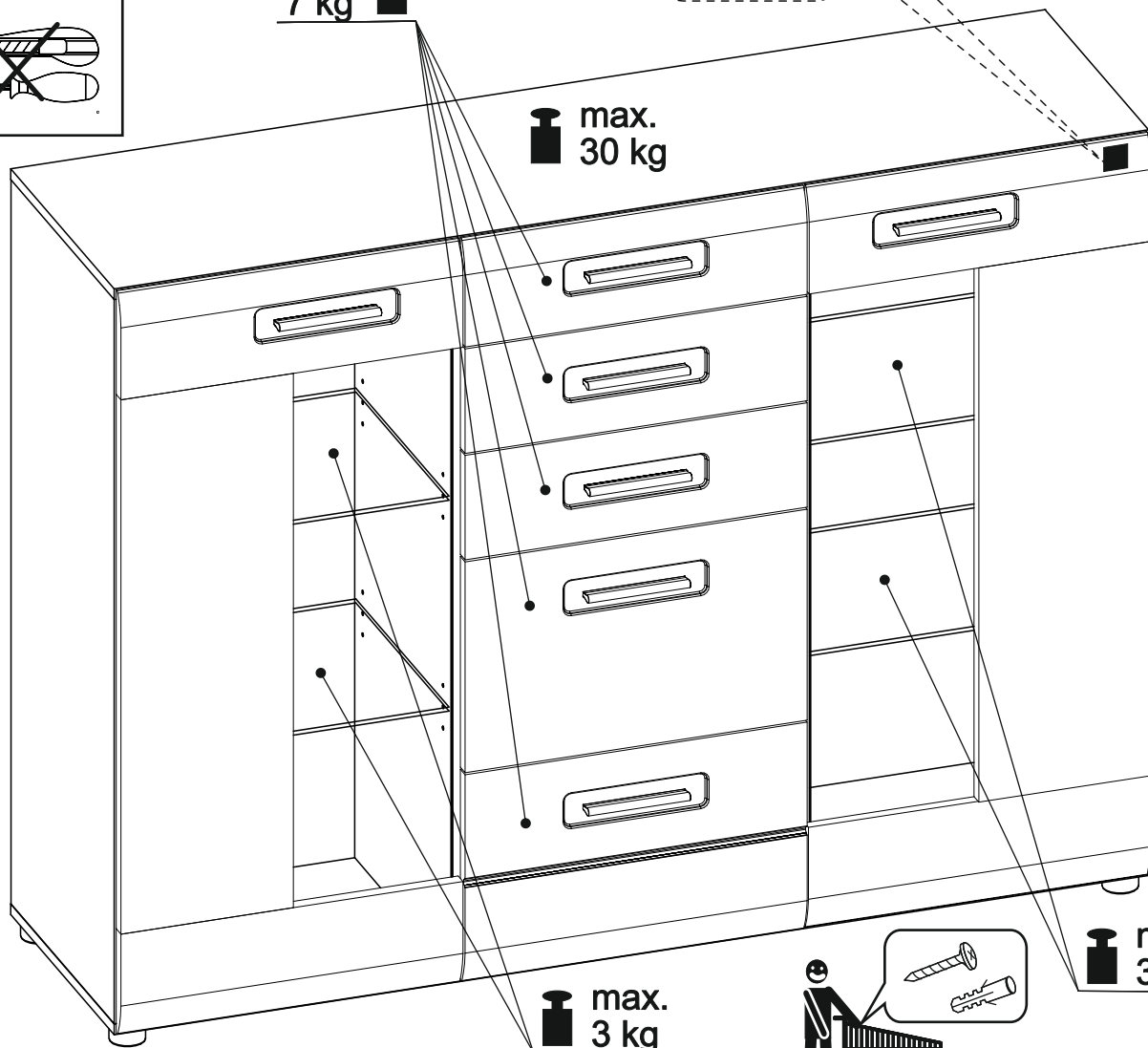
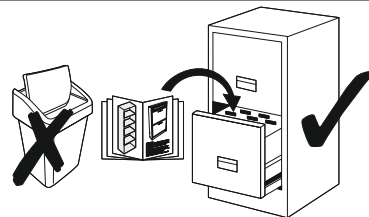


AVENSIS NEW 22B



max.
7 kg



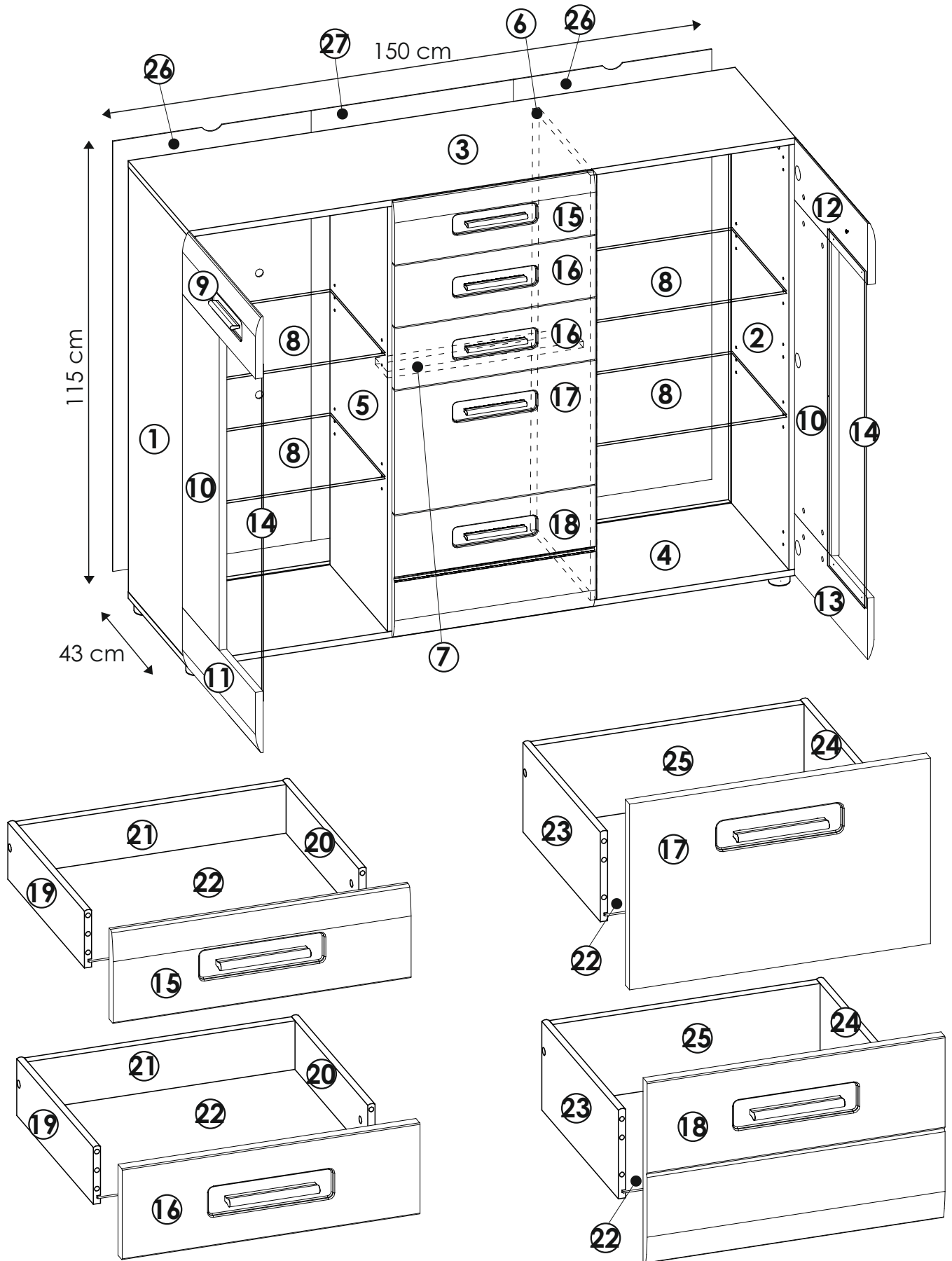
max.
30 kg

max.
3 kg



- | | | | | | | | | |
|--------|--------|--------|--------|--------|--------|--------|--------|--------|
| ① - C1 | ⑥ - C2 | ⑪ - C3 | ⑬ - C3 | ⑰ - C3 | ⑳ - C3 | ⑳ - C3 | ⑳ - C3 | ⑳ - C3 |
| ② - C1 | ⑦ - C3 | ⑫ - C3 | ⑭ - C2 | ⑱ - C1 | ㉑ - C1 | ㉒ - C1 | ㉓ - C1 | ㉔ - C1 |
| ③ - C1 | ⑧ - C2 | ⑬ - C3 | ⑮ - C3 | ⑲ - C1 | ㉒ - C1 | C1 | | |
| ④ - C1 | ⑨ - C3 | ⑭ - C2 | ⑯ - C3 | ㉑ - C1 | ㉓ - C1 | C2 | | |
| ⑤ - C2 | ⑩ - C3 | ⑮ - C3 | ⑰ - C3 | ㉒ - C1 | ㉔ - C1 | C3 | | |

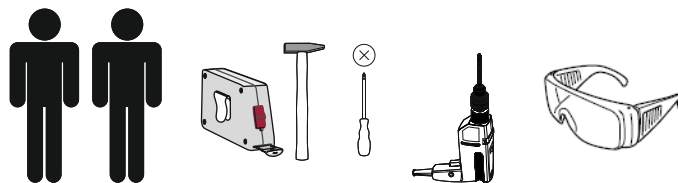
AVENSIS NEW 22B

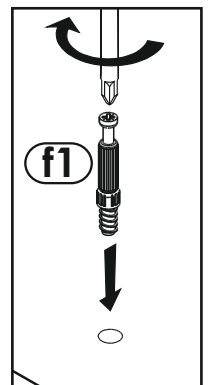
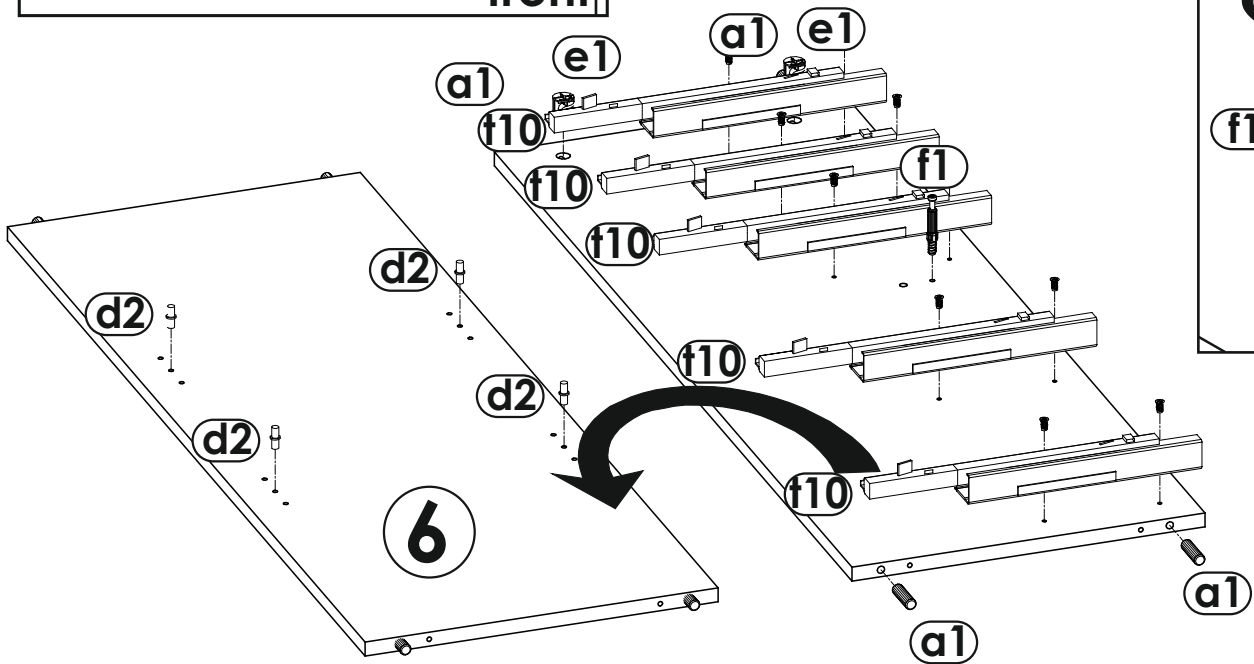
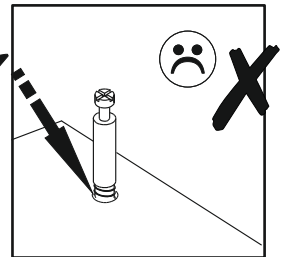
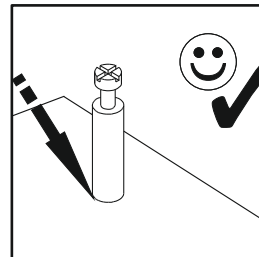
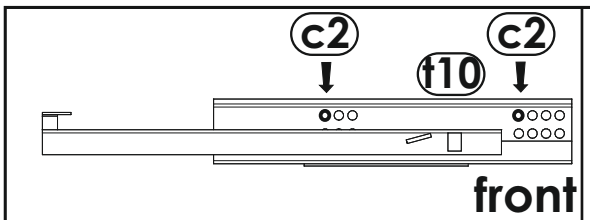
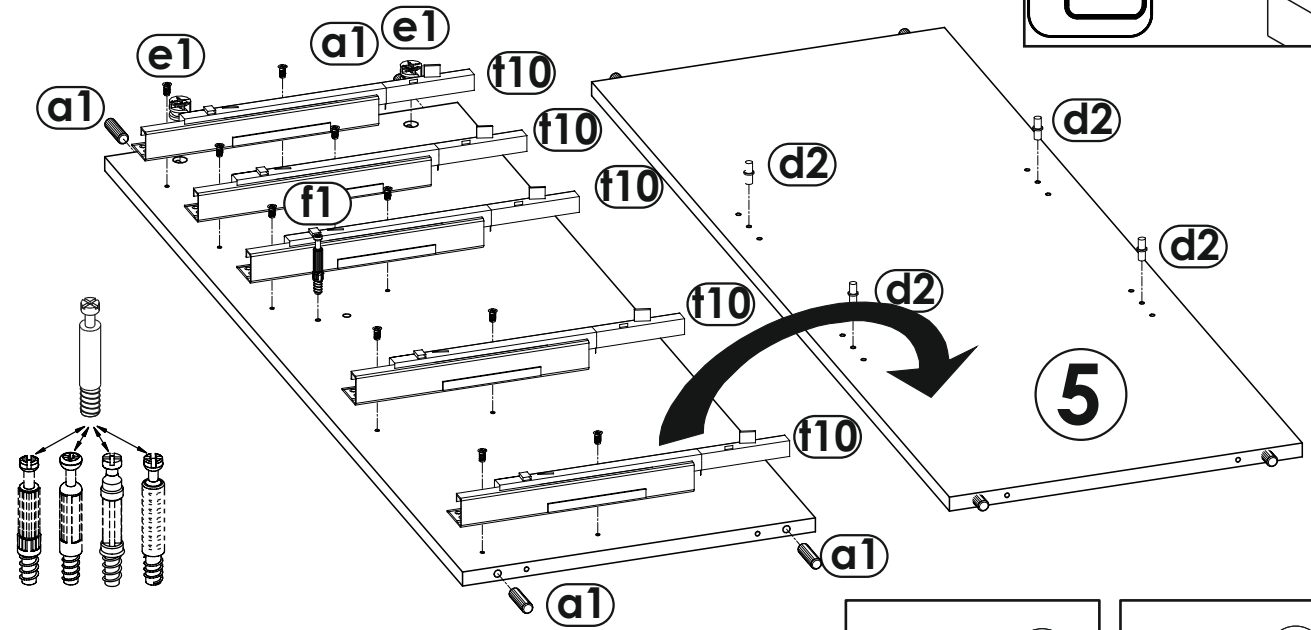
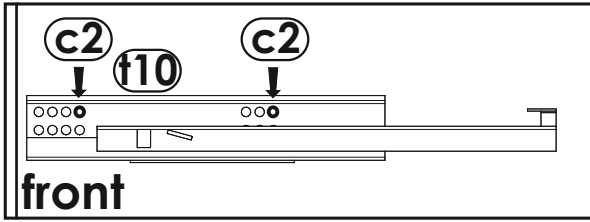
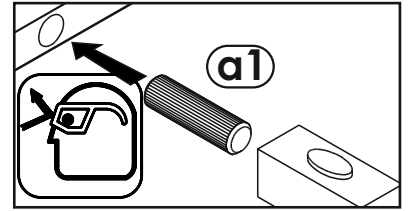
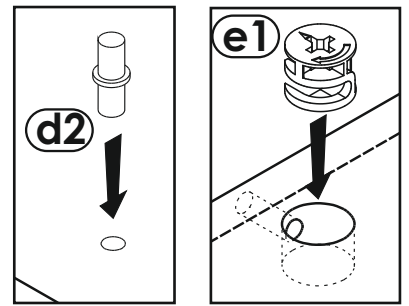
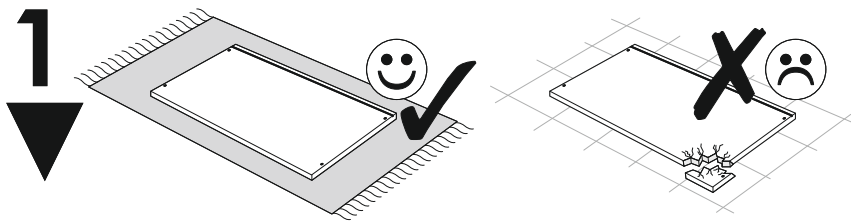


AVENSIS NEW 22B

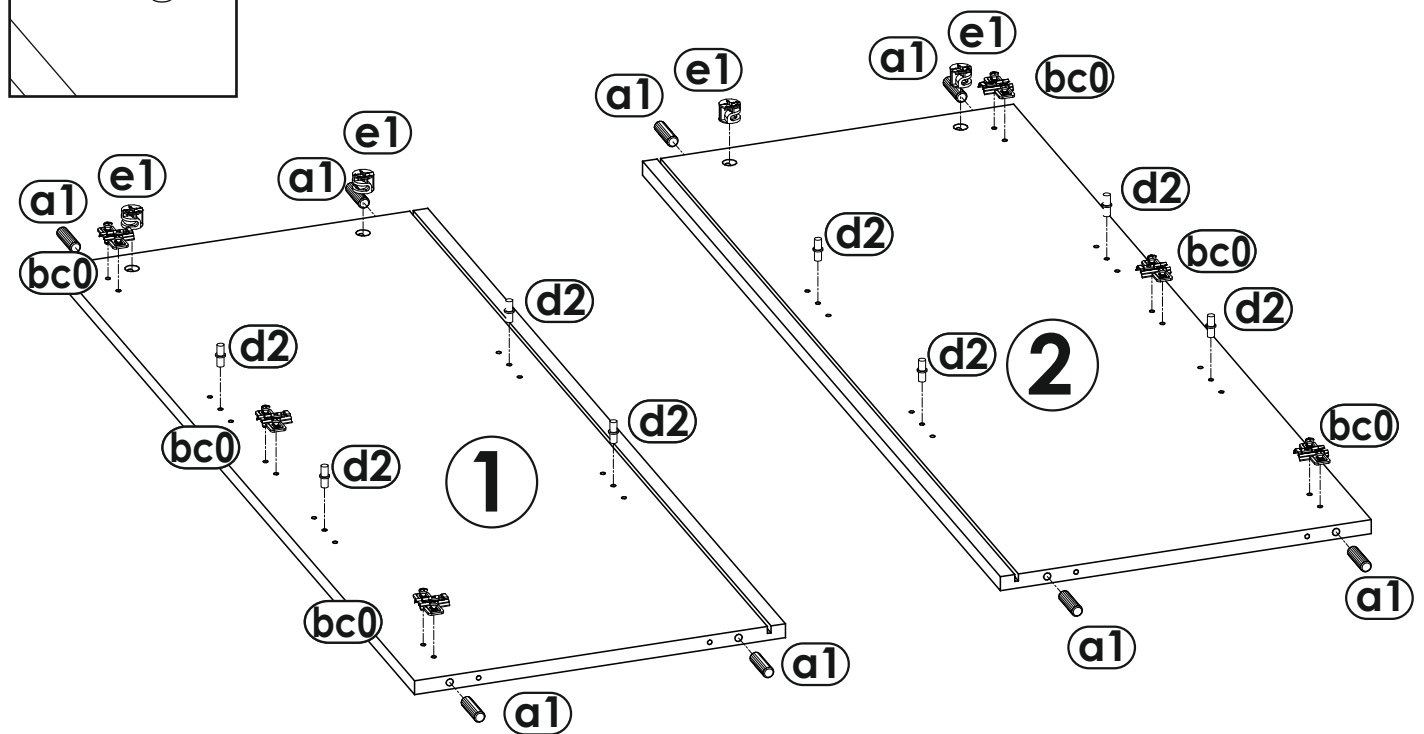
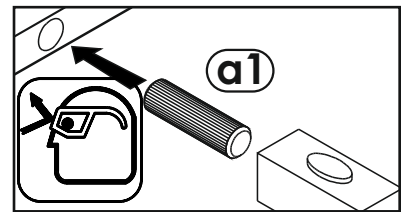
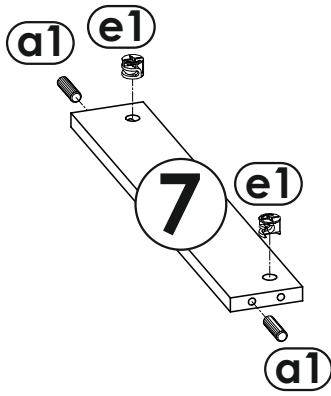
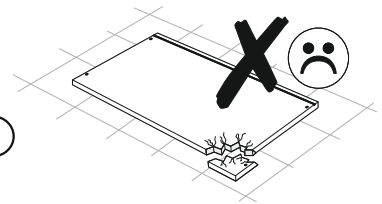
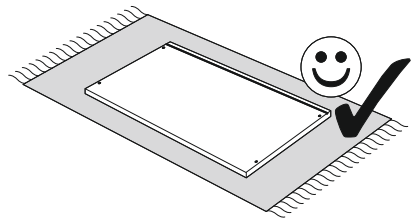
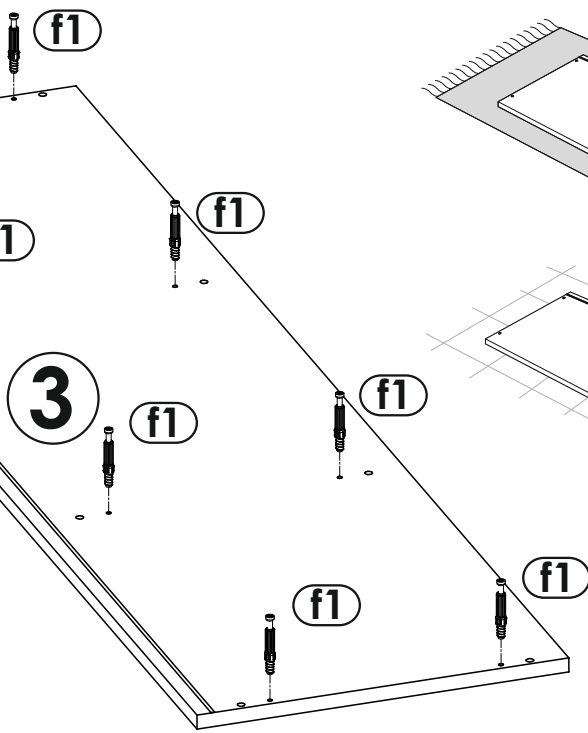
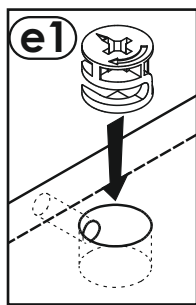
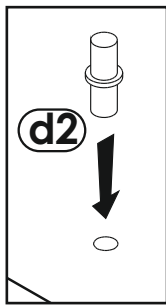
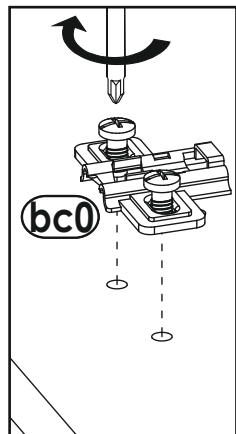
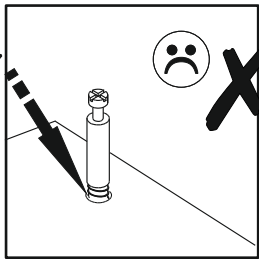
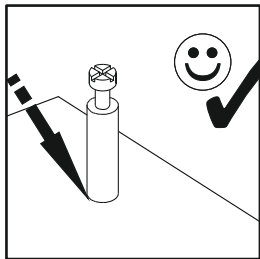
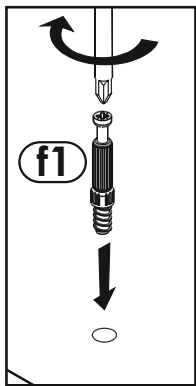


a0 6x40 x...(x8)	a1 8x35 x...(x32)	bc0 x...(x6)	bo1 x...(x6)	c1 Euro 4x13 x...(x12)	c2 Euro 5x13 x...(x20)	d2 x...(x16)	e0 x...(x10)		
e1 x...(x10)	e3 x...(x26)	f1 7x58 x...(x20)	f4 7x58 x...(x8)	g0 x...(x18)	g1 7x50 x...(x18)	h1 x...(x7)			
i2 4x16 x...(x10)	i4 3,5x27 x...(x14)	i10 3,5x22 x...(x6)	m x...(x1)	n1 3x16 x...(x40)	x4 x...(x1)		i10 x...(x6)	o15 x...(x6)	p15 x...(x4)
q9 x...(x2)	r1 x...(x12)	r2 x...(x2)	r3 x...(x8)	r4 x...(x17)	f10 L-360 x...(x5)				
z x...(x1)				et x...(x1)					

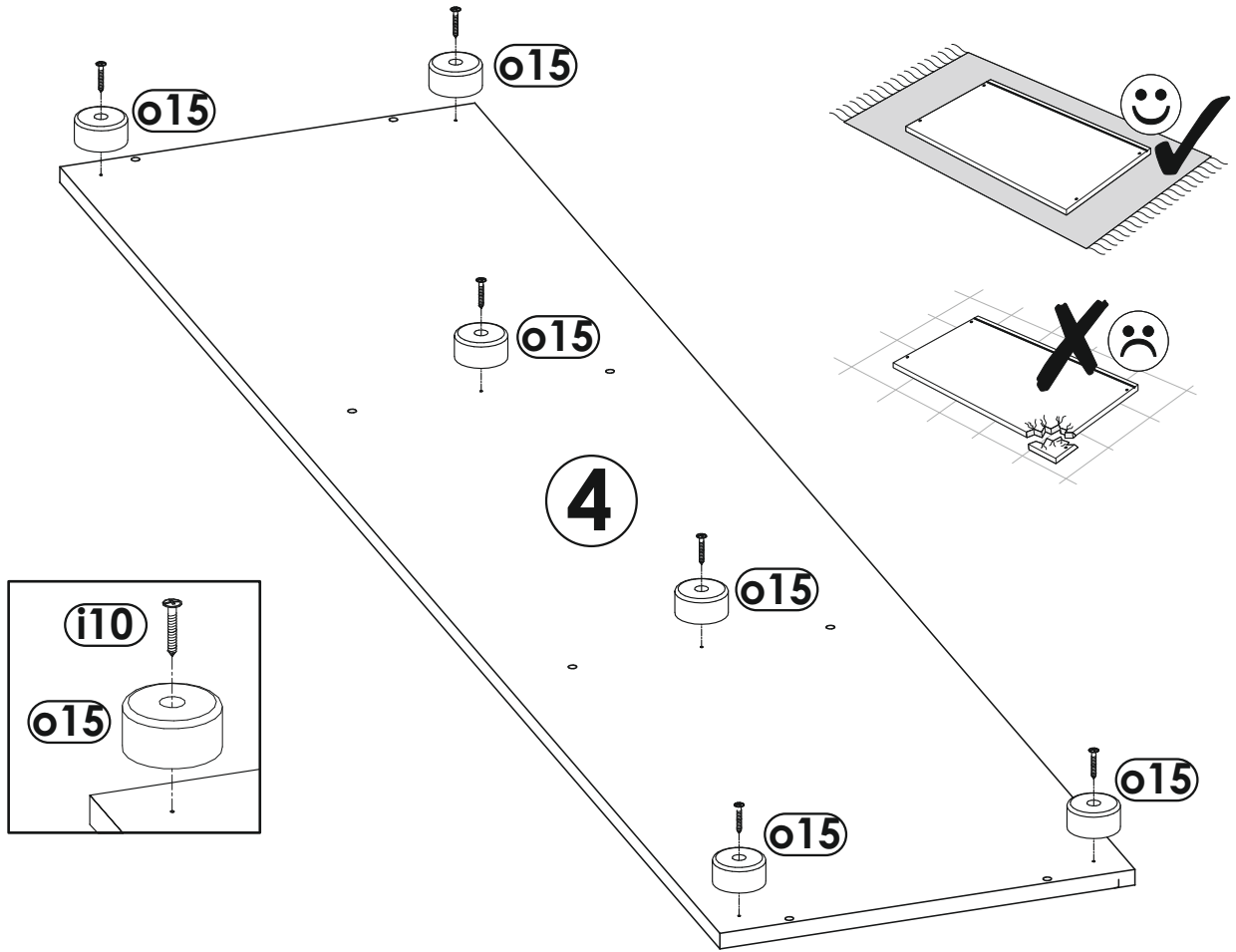




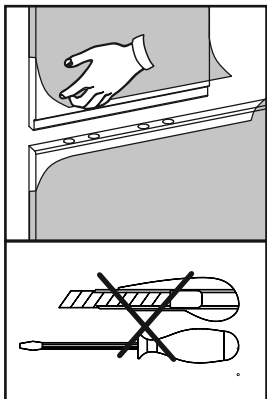
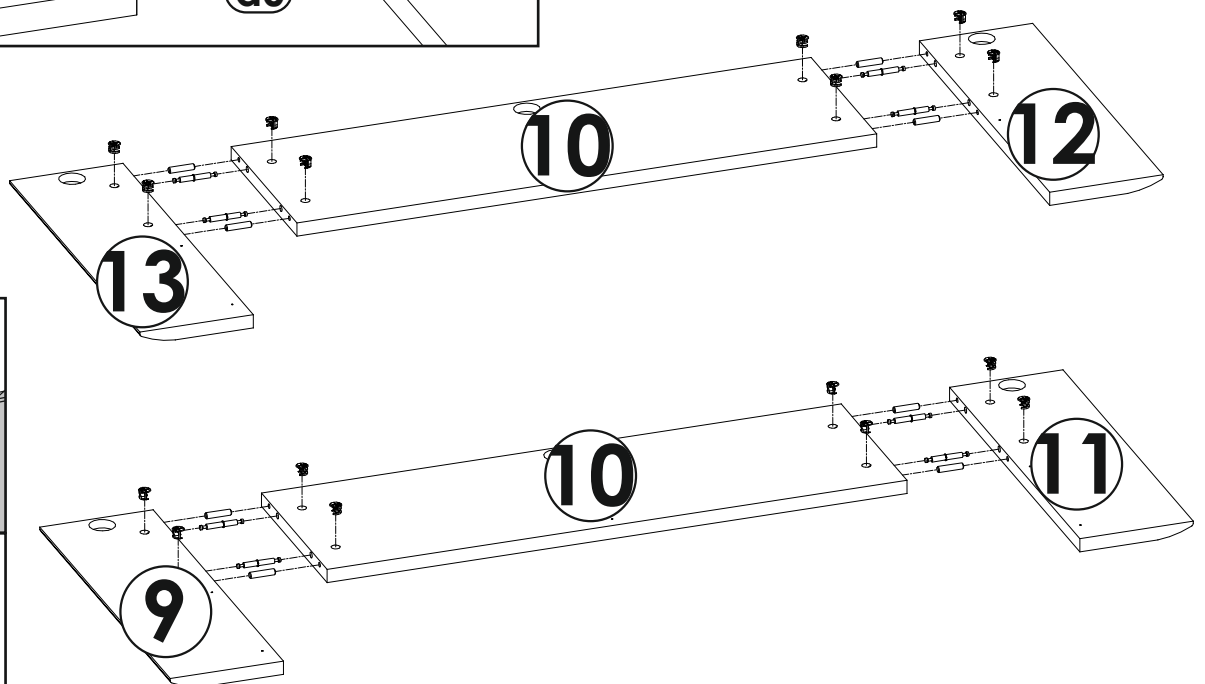
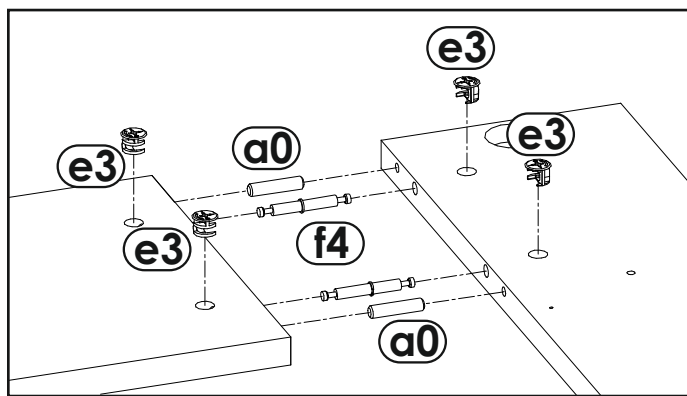
2



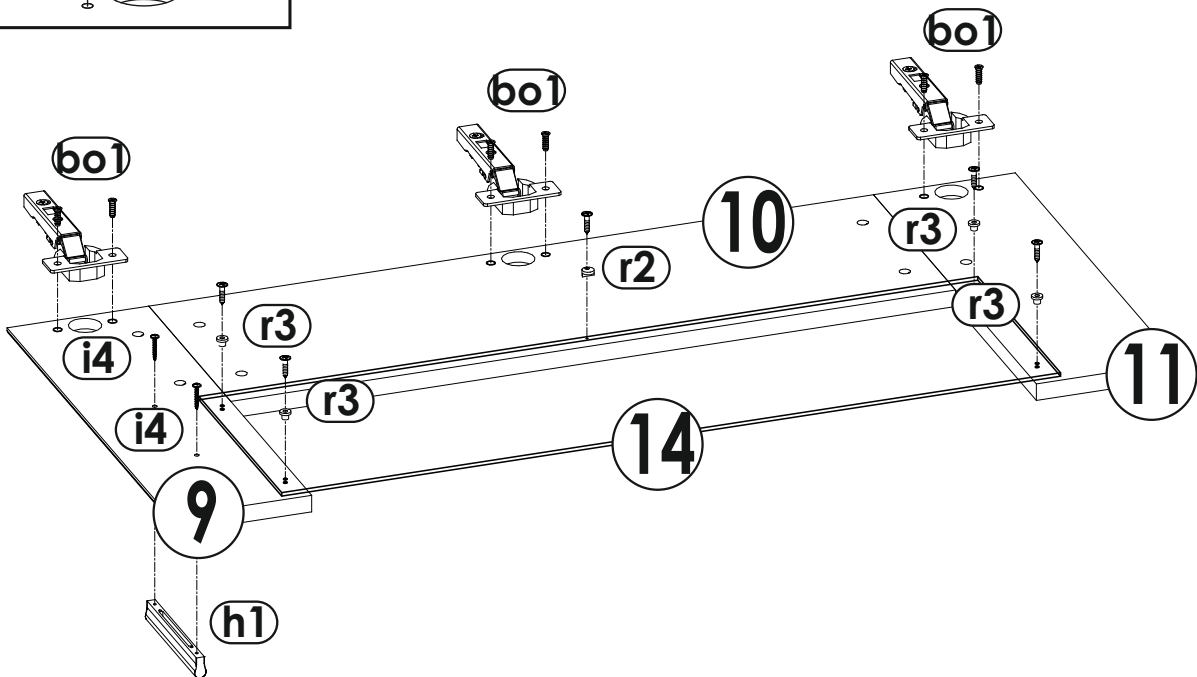
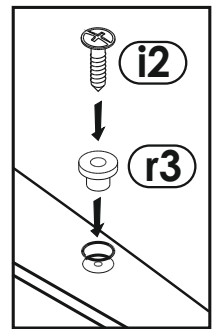
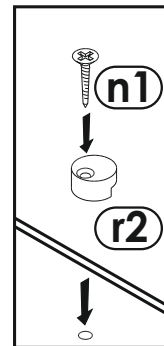
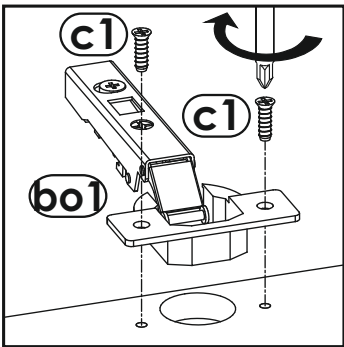
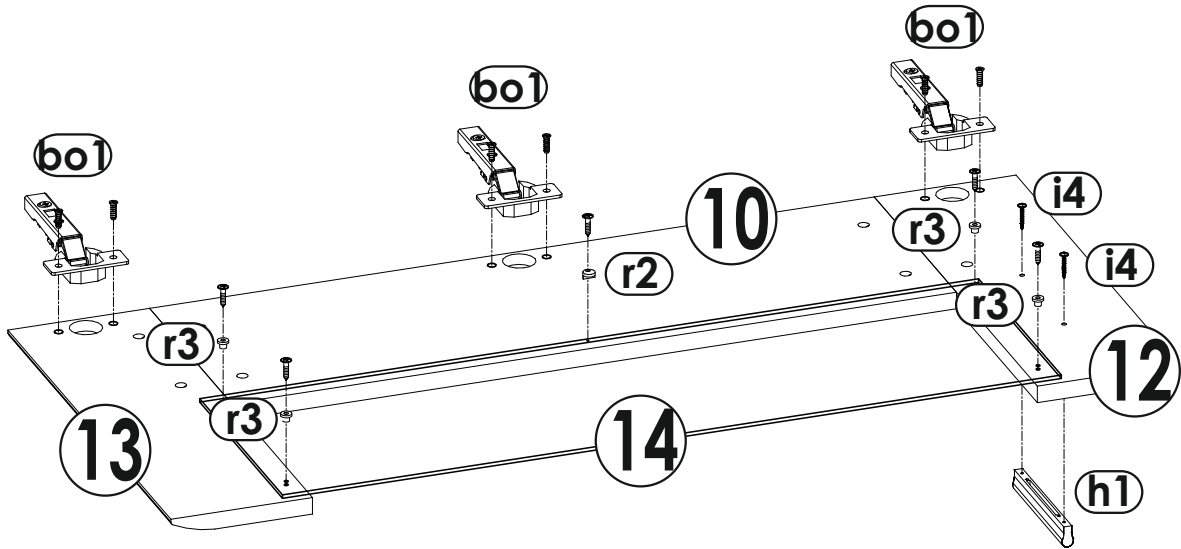
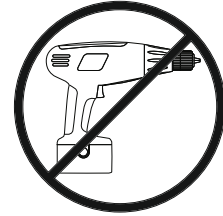
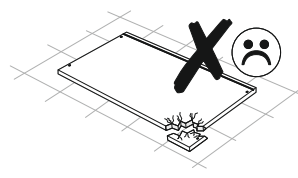
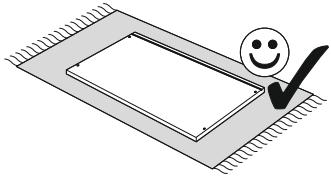
3



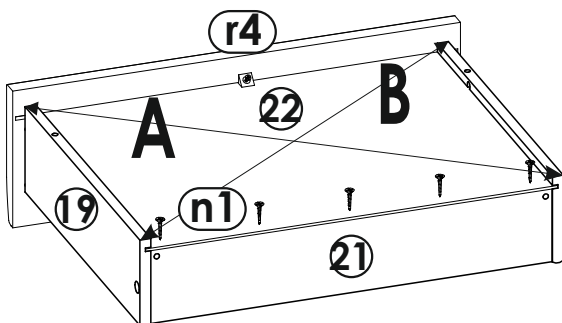
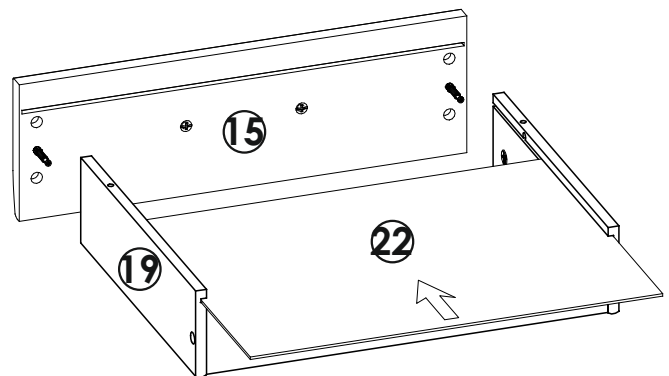
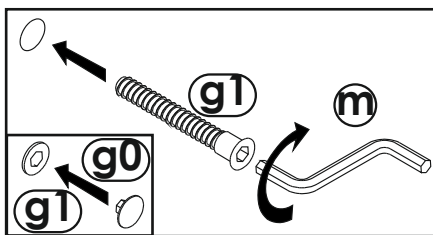
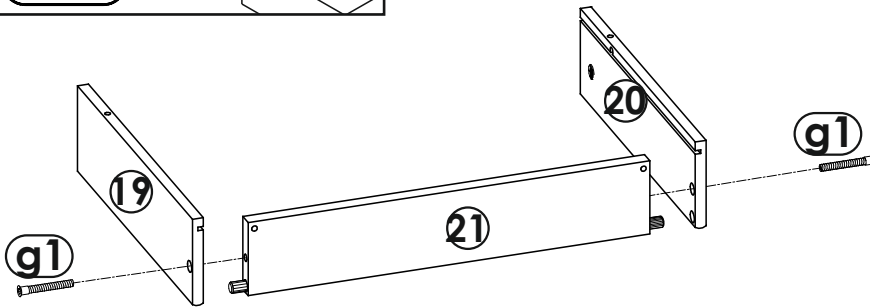
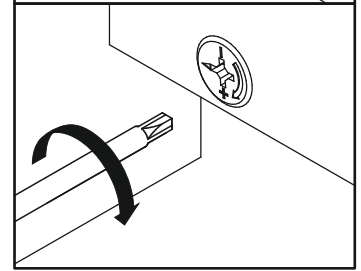
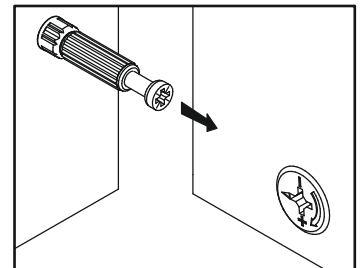
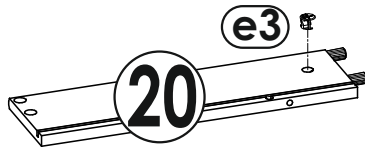
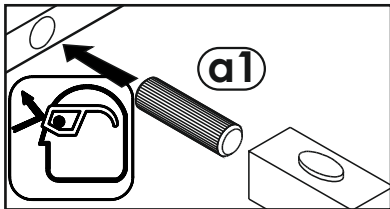
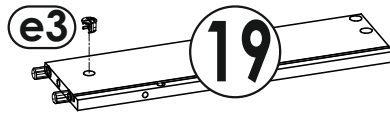
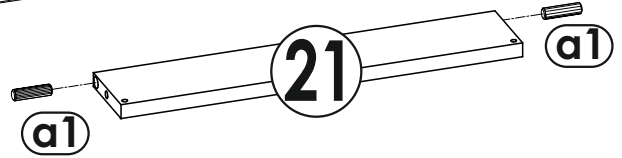
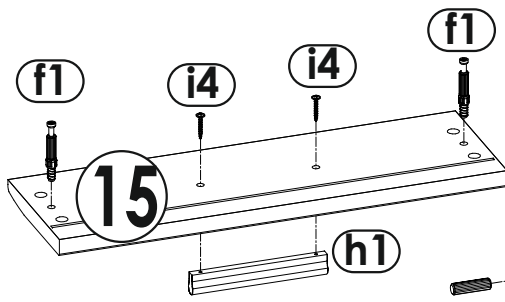
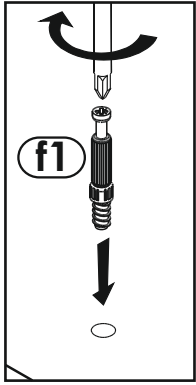
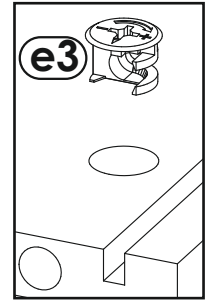
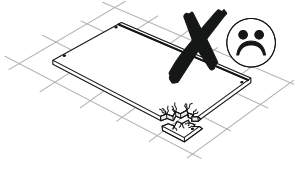
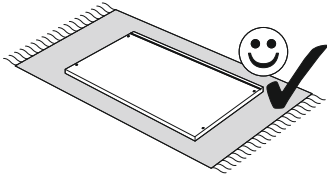
4



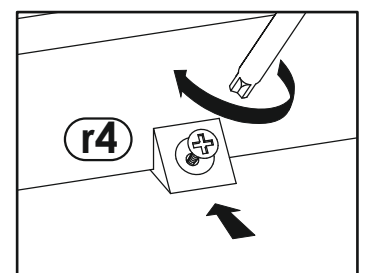
5



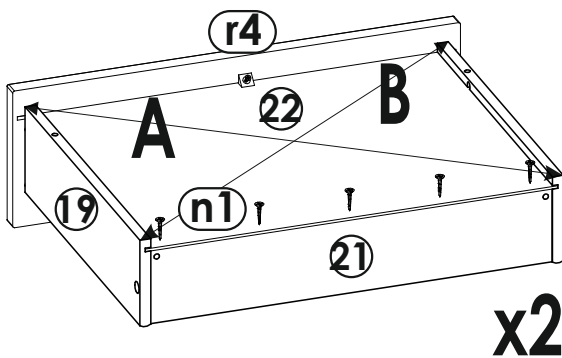
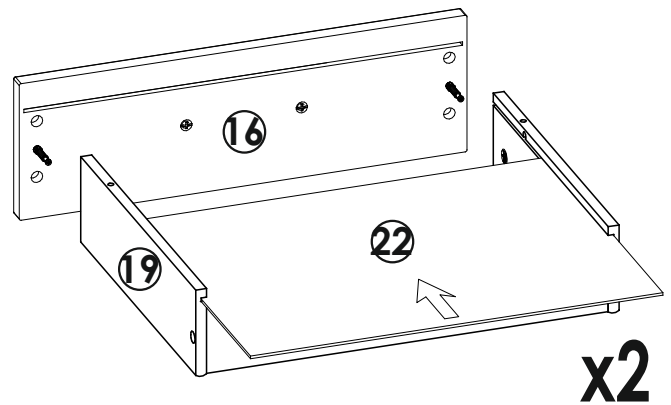
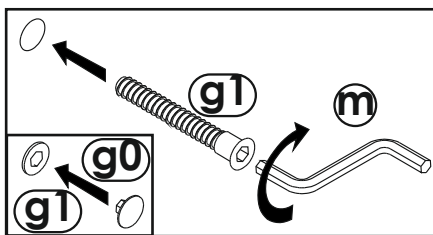
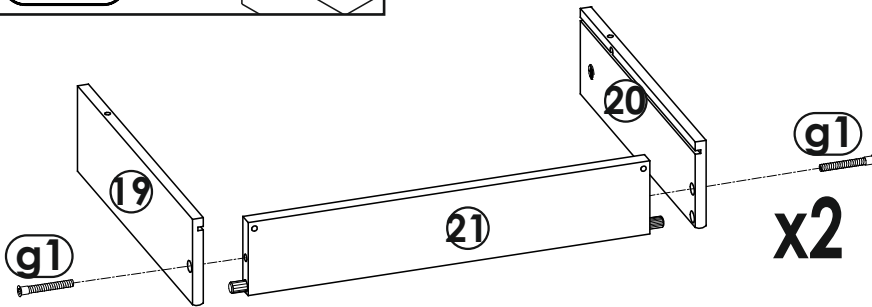
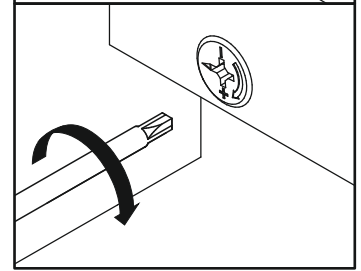
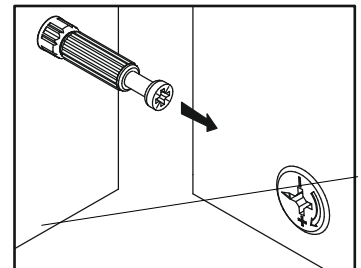
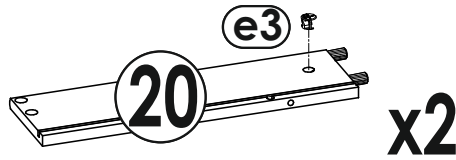
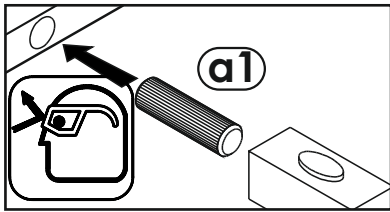
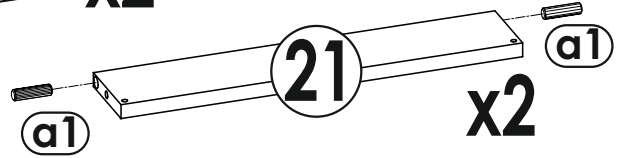
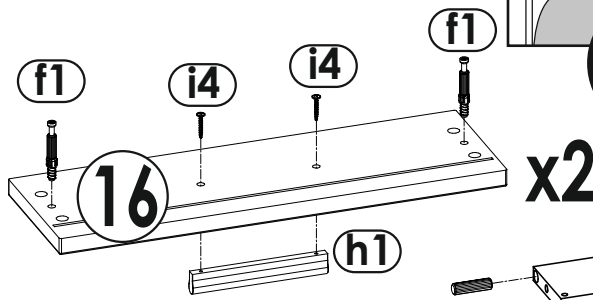
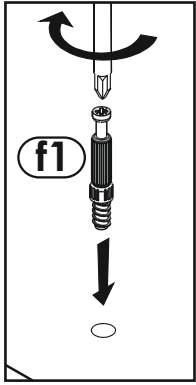
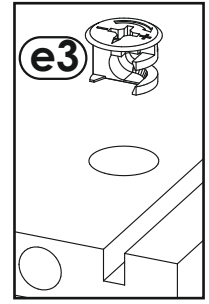
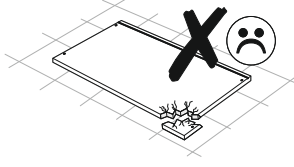
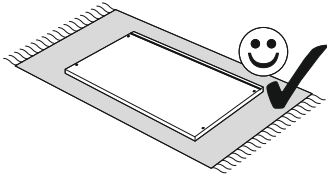
6



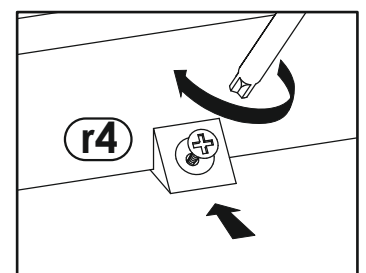
A=B



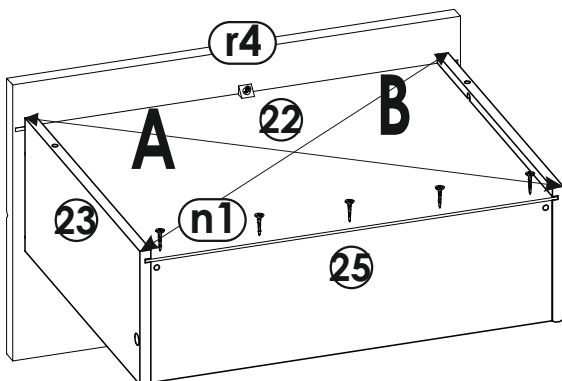
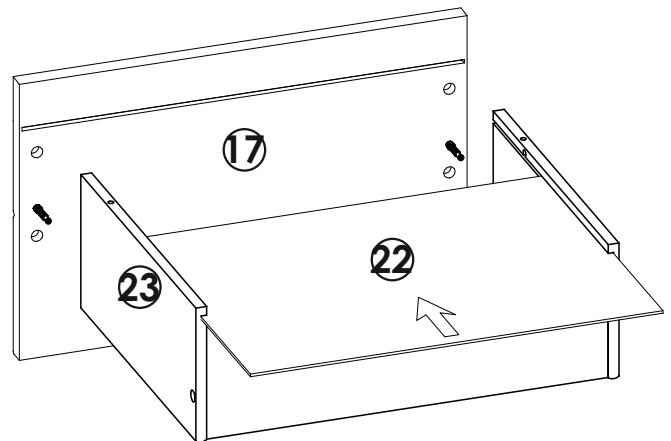
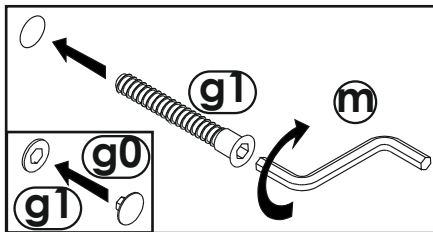
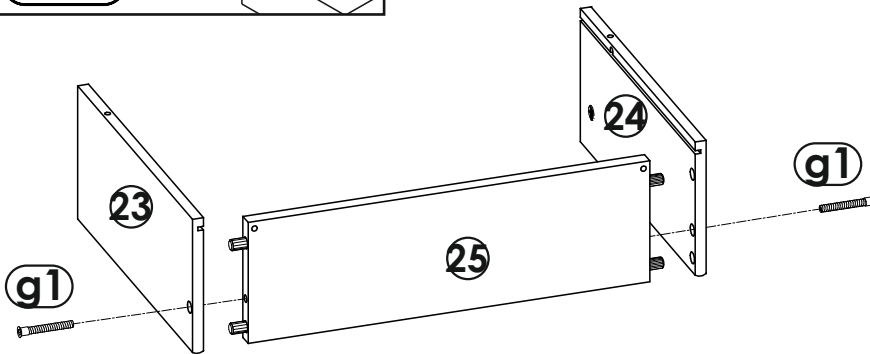
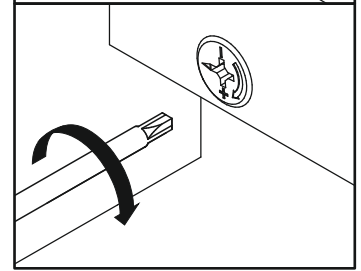
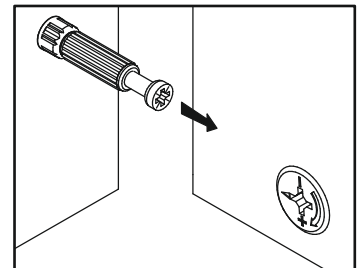
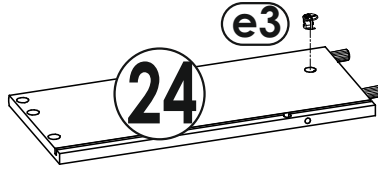
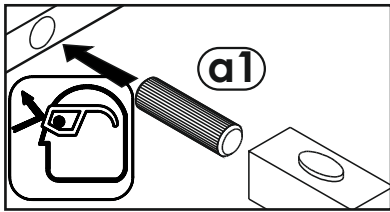
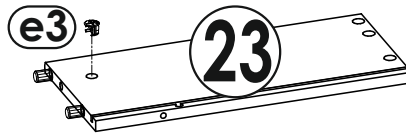
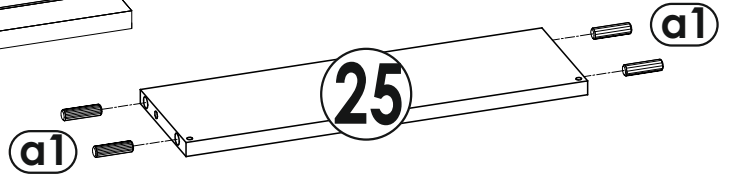
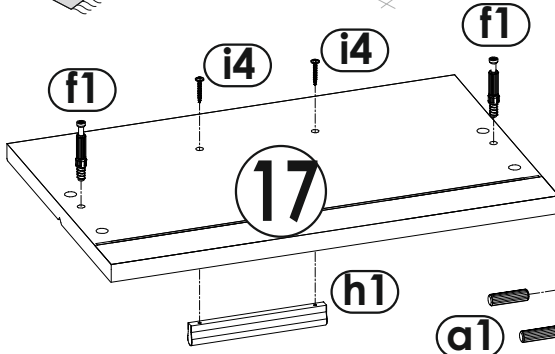
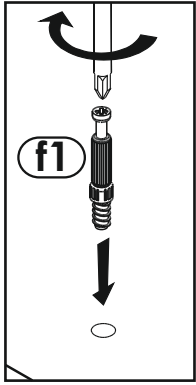
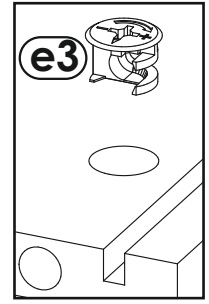
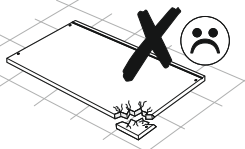
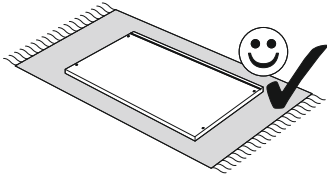
7



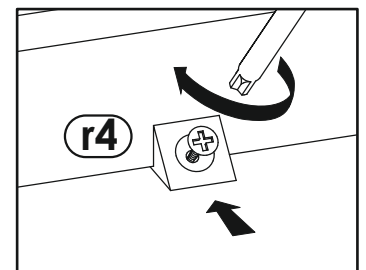
A=B



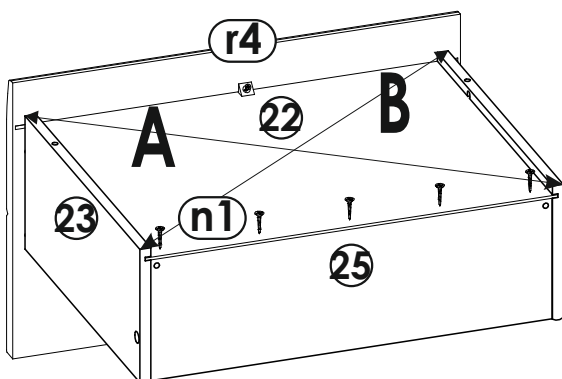
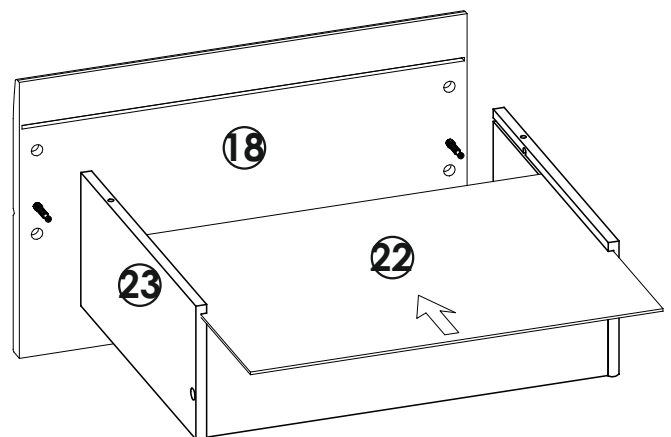
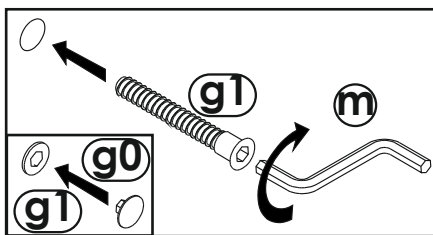
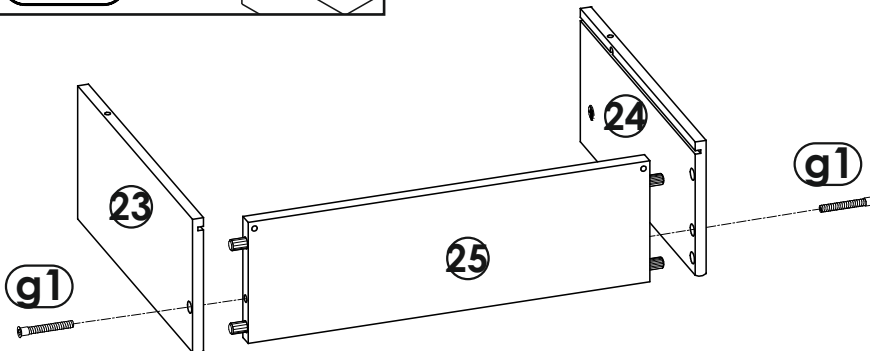
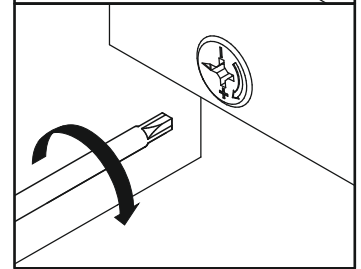
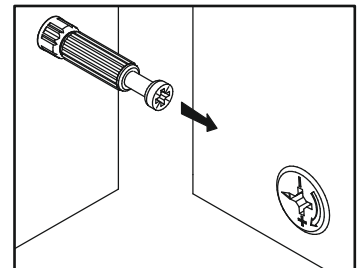
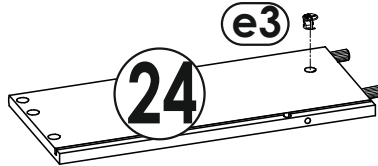
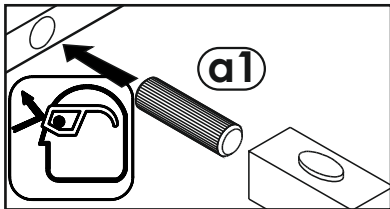
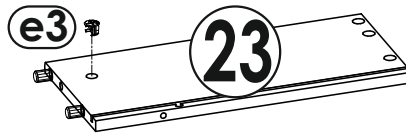
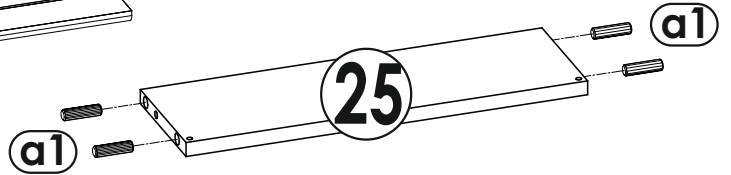
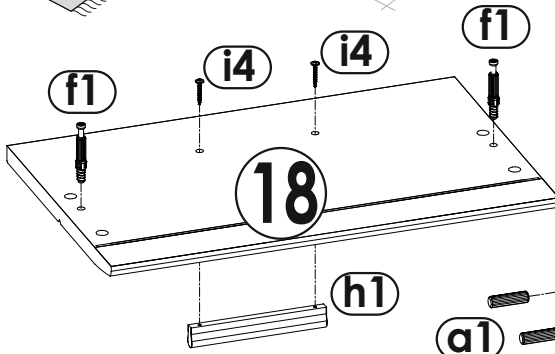
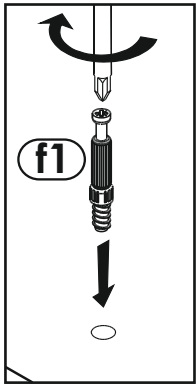
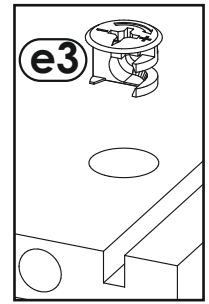
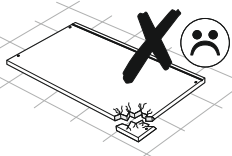
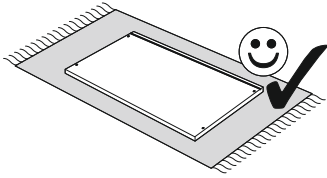
8



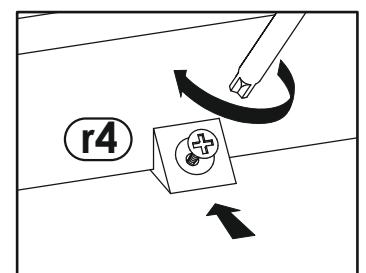
A=B



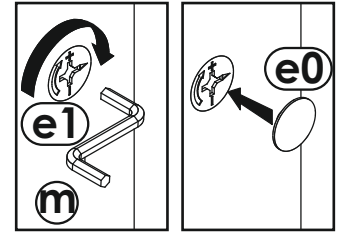
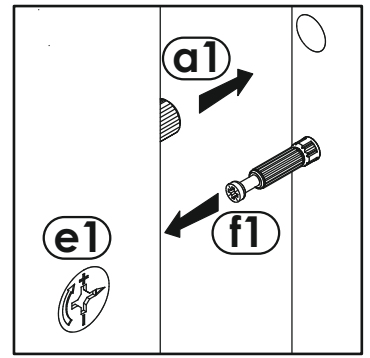
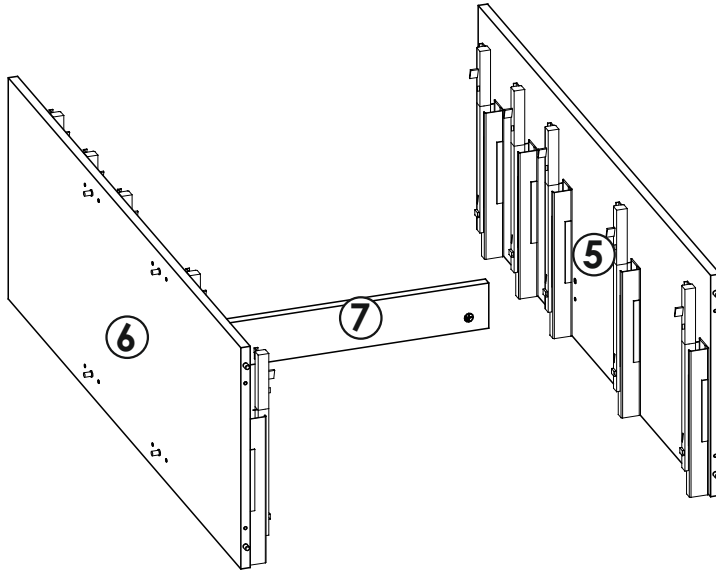
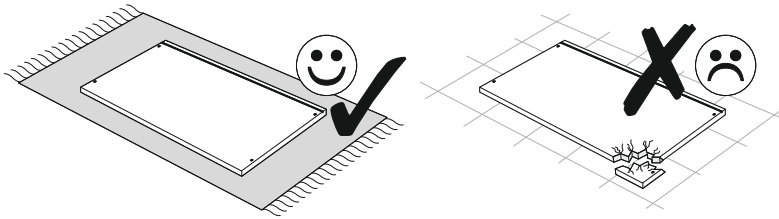
9



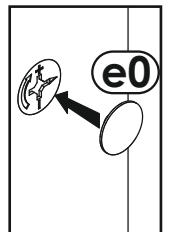
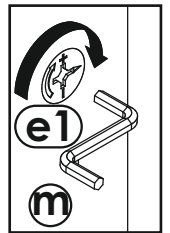
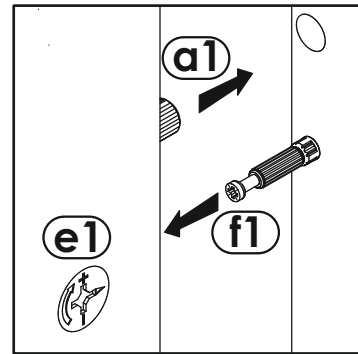
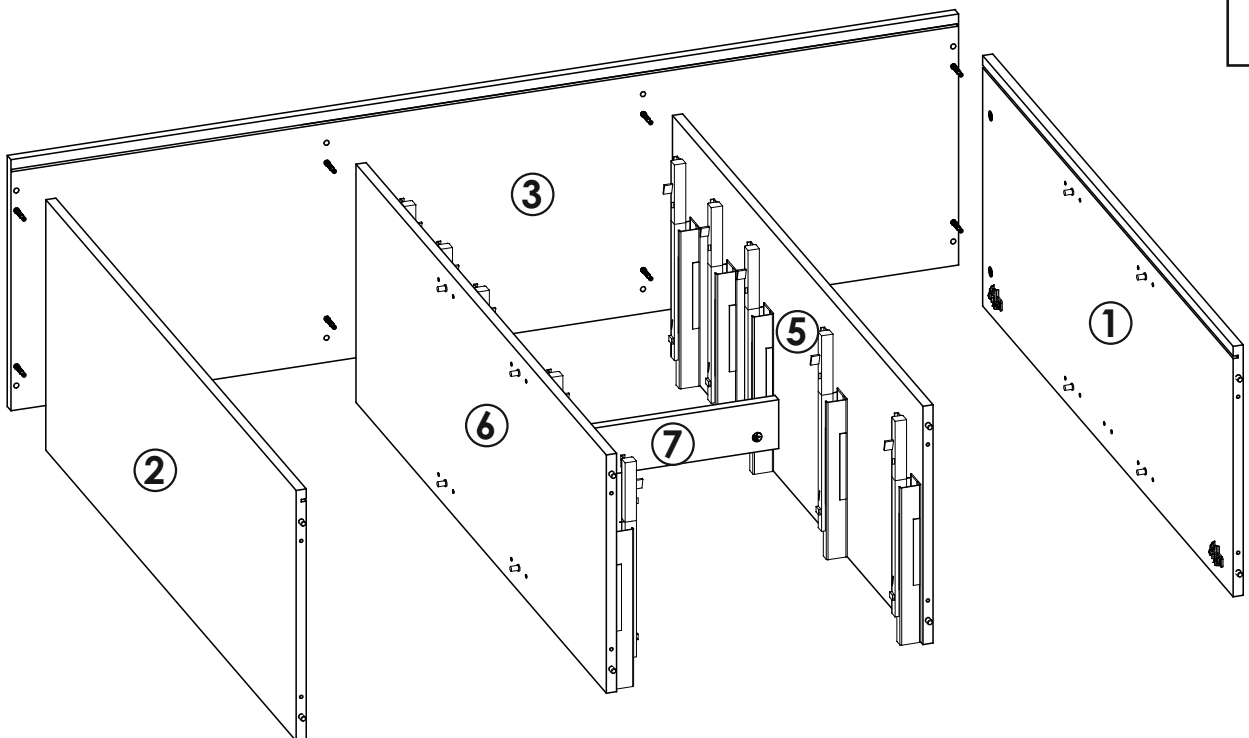
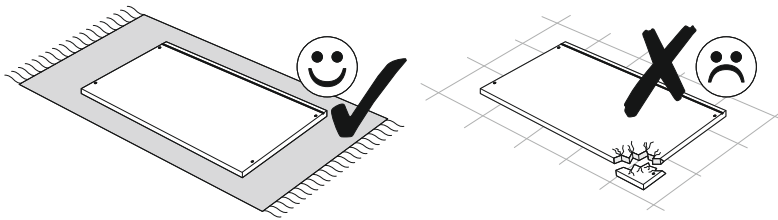
A=B



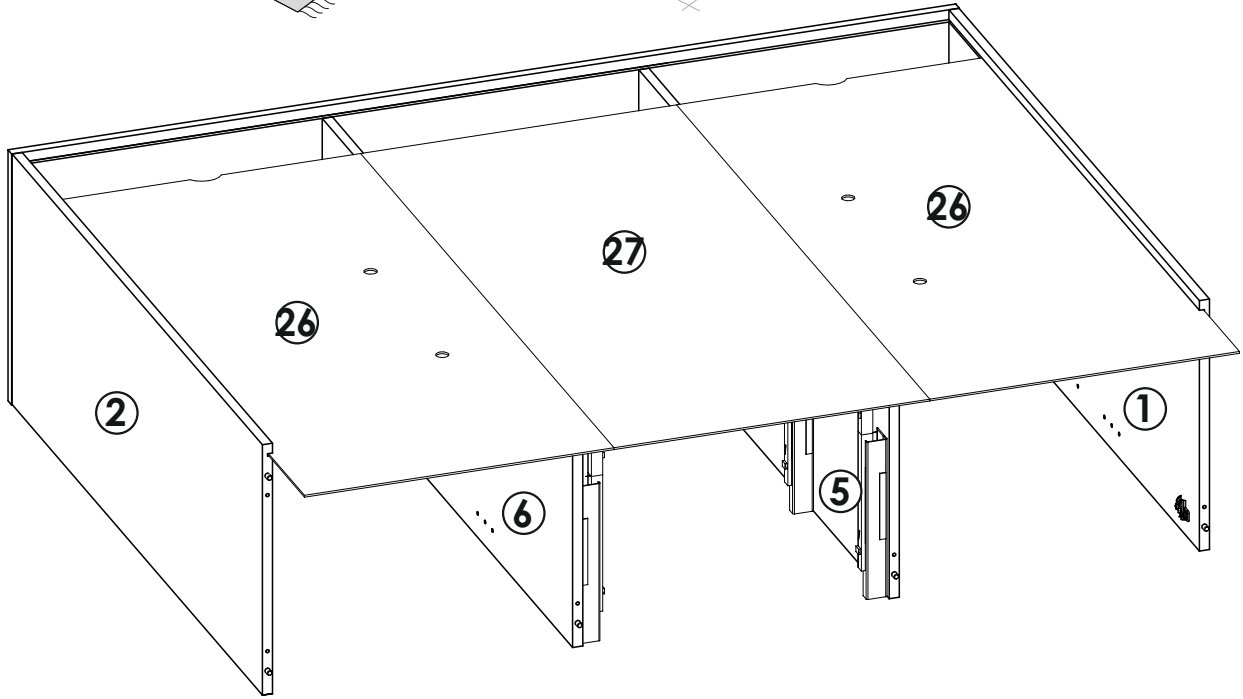
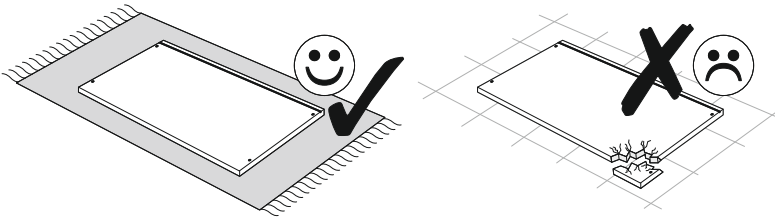
10
▼



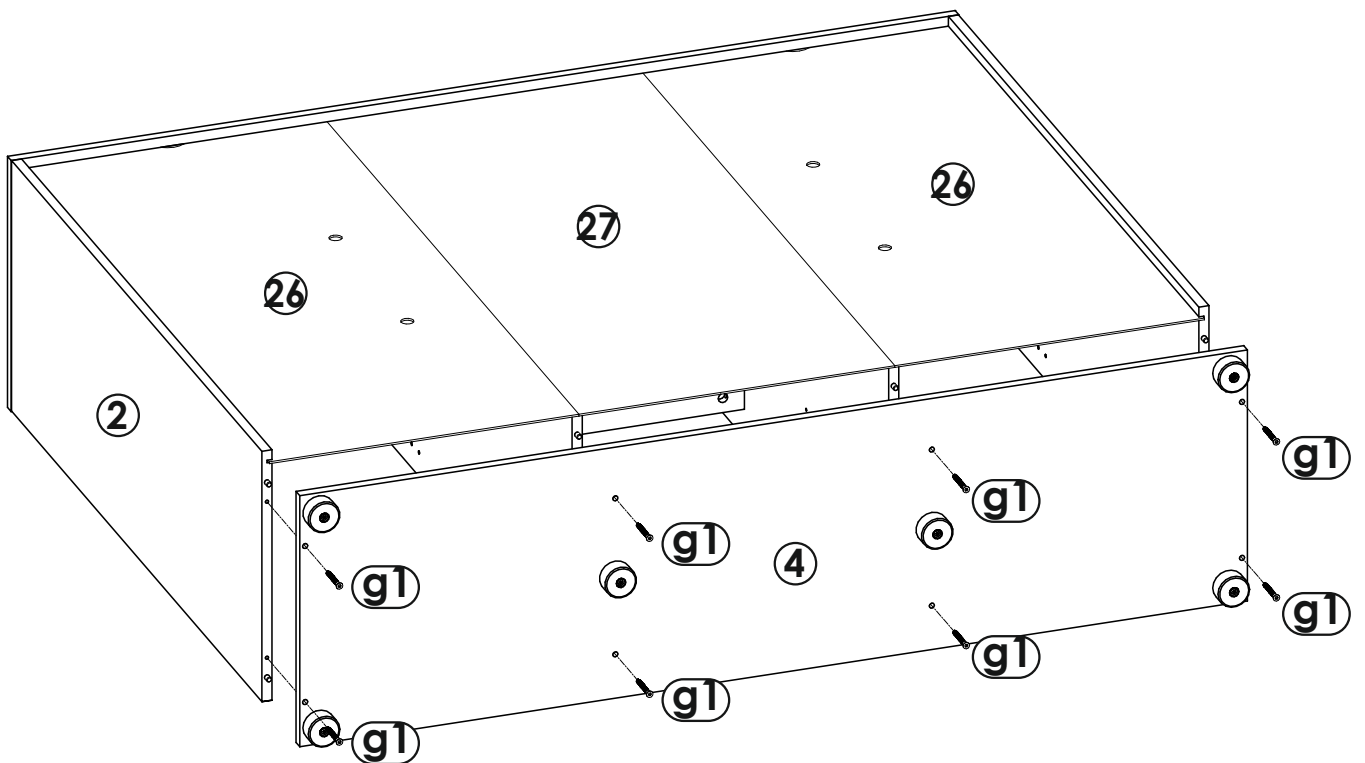
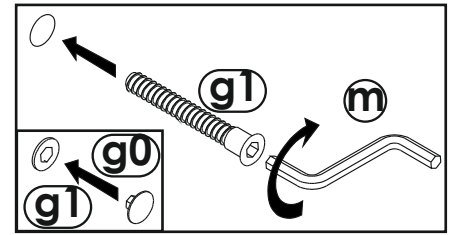
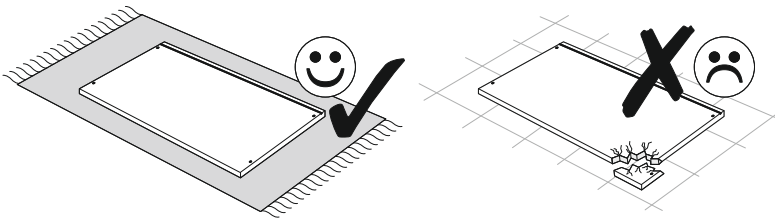
11
▼



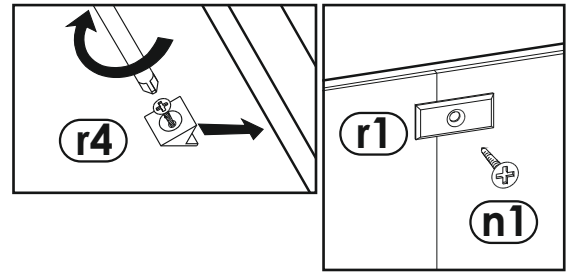
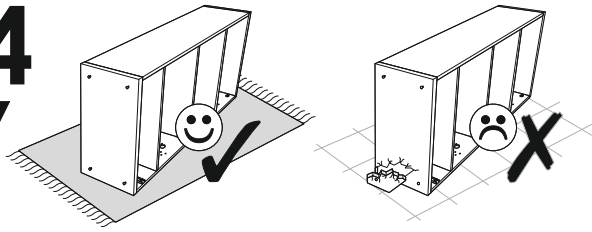
12
▼



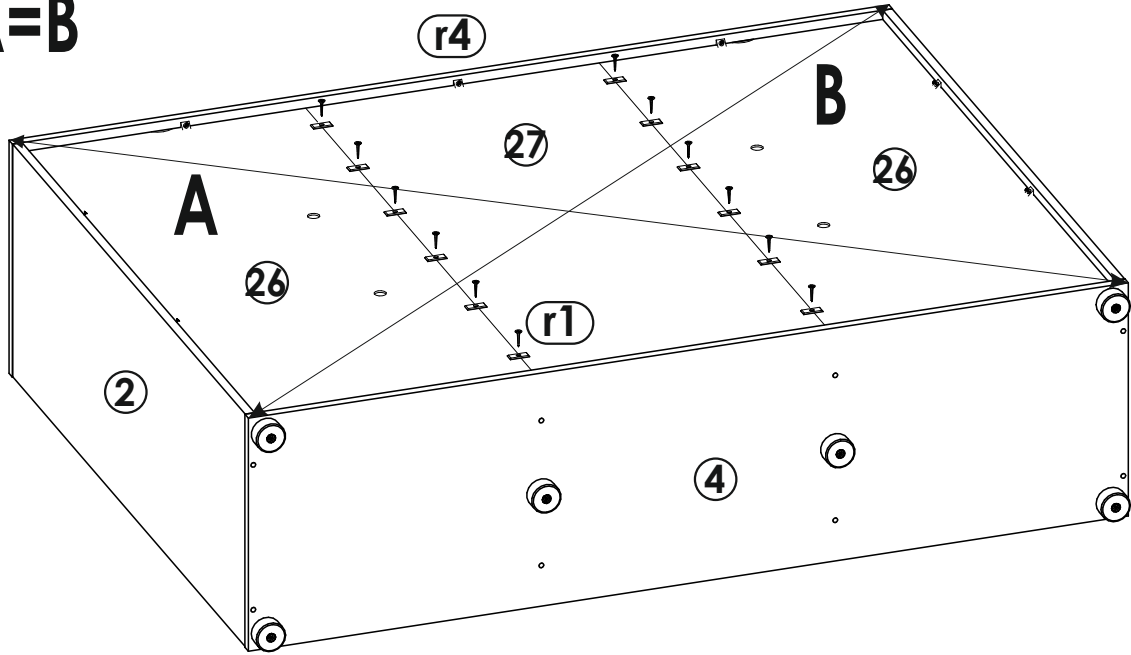
13
▼



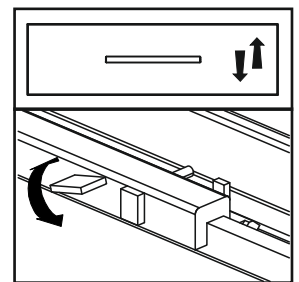
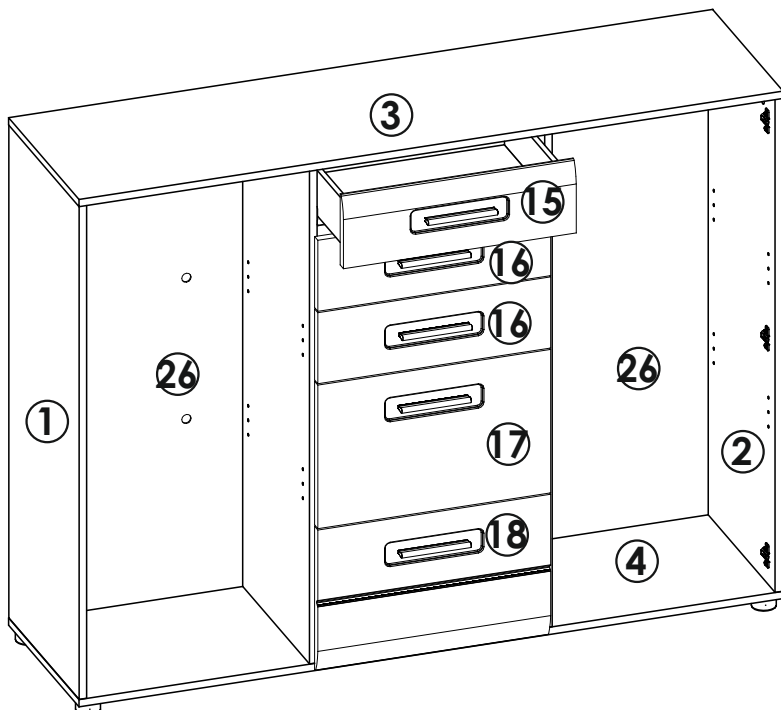
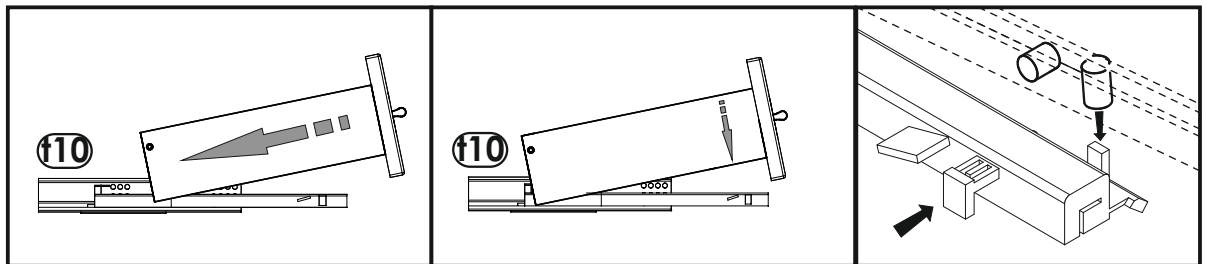
14



A=B



15



16

